



CA15

Acoustic Amplifier



User's Guide



CA15 Acoustic Amplifier

Introduction:



Congratulations!

You are now the proud owner of one of Crate's latest contributions to the world of acoustic amplification, the CA15. This compact amplifier delivers over 12 watts of musical power and incorporates two inputs (each with its own gain control), three bands of equalization, and reverb. A pair of RCA-type CD Input jacks allow you to practice with your favorite music. A jack for headphones is provided, along with a jack for connecting the CA15 to an external speaker cabinet. A Crate Custom Design 8" woofer delivers smooth clear sound with excellent projection and fidelity.

Your CA15 was designed by musicians and built using only the best components. Extensive testing at the hands (and ears) of skilled technicians and musicians insures you that this amplifier is the absolute best it can be.

In order to get the most out of your new amplifier, we strongly urge you to go over the information contained in this manual before you begin playing.

And thank you for choosing CRATE.

| | | |
|---|---|---|
|  | CAUTION RISK OF ELECTRIC SHOCK DO NOT OPEN |  |
| WARNING: TO REDUCE THE RISK OF FIRE OR ELECTRIC SHOCK, DO NOT EXPOSE THIS APPARATUS TO RAIN OR MOISTURE. TO REDUCE THE RISK OF ELECTRIC SHOCK, DO NOT REMOVE COVER. NO USER-SERVICEABLE PARTS INSIDE. REFER SERVICING TO QUALIFIED SERVICE PERSONNEL. | | |

| | | |
|---|---|---|
|  | PRECAUCION RIESGO DE CORRIENTAZO NO ABRA |  |
| PRECAUCION: PARA REDUCIR EL RIESGO DE INCENDIOS O DESCARGAS ELECTRICAS, NO PERMITA QUE ESTE APARATO QUEDA EXPUESTO A LA LLUVIA O LA HUMEDAD. PARA DISMINUIR EL RIESGO DE CORRIENTAZO, NO ABRA LA CUBIERTA. NO HAY PIEZAS ADENTRO QUE EL USUARIO PUEDE REPARAR DEJE TODO MANTENIMIENTO A LOS TECNICOS CALIFICADOS. | | |

| | | |
|--|---|---|
|  | ATTENTION RISQUE D'ELECTROCUTION NE PAS OUVRIR |  |
| ATTENTION: PROTEGEZ CET APPAREIL DE LA PLUIE ET DE L'HUMIDITE AFIN D'EVITER TOUT RISQUE D'INCENDIE OU D'ELECTROCUTION. POUR REDUIRE D'ELECTROCUTION NE PAS ENLEVER LE COUVERCLE. AUCUNE PIECE INTERNE N'EST REPARABLE PAR L'UTILISATEUR. POUR TOUTE REPARATION, S'ADRESSEZ A UN TECHNICIEN QUALIFIE. | | |

IMPORTANT SAFETY INSTRUCTIONS

- READ, FOLLOW, HEED, AND KEEP ALL INSTRUCTIONS AND WARNINGS.
- DO NOT OPERATE NEAR ANY HEAT SOURCE AND DO NOT BLOCK ANY VENTILATION OPENINGS ON THIS APPARATUS. FOR PROPER OPERATION, THIS UNIT REQUIRES 3" (75mm) OF WELL VENTILATED SPACE AROUND HEATSINKS AND OTHER AIR FLOW PROVISIONS IN THE CABINET.
- DO NOT USE THIS APPARATUS NEAR SPLASHING, FALLING, SPRAYING, OR STANDING LIQUIDS.
- CLEAN ONLY WITH LINT-FREE DAMP CLOTH AND DO NOT USE CLEANING AGENTS.
- ONLY CONNECT POWER CORD TO A POLARIZED, SAFETY GROUNDED OUTLET WIRED TO CURRENT ELECTRICAL CODES AND COMPATIBLE WITH VOLTAGE, POWER, AND FREQUENCY REQUIREMENTS STATED ON THE REAR PANEL OF THE APPARATUS.
- PROTECT THE POWER CORD FROM DAMAGE DUE TO BEING WALKED ON, PINCHED, OR STRAINED.
- UNPLUG THE APPARATUS DURING LIGHTNING STORMS OR WHEN UNUSED FOR LONG PERIODS OF TIME.
- ONLY USE ATTACHMENTS, ACCESSORIES, STANDS, OR BRACKETS SPECIFIED BY THE MANUFACTURER FOR SAFE OPERATION AND TO AVOID INJURY.
- WARNING: TO REDUCE THE RISK OF ELECTRIC SHOCK OR FIRE, DO NOT EXPOSE THIS UNIT TO RAIN OR MOISTURE.
- SERVICE MUST BE PERFORMED BY QUALIFIED PERSONNEL.
- OUR AMPLIFIERS ARE CAPABLE OF PRODUCING HIGH SOUND PRESSURE LEVELS. CONTINUED EXPOSURE TO HIGH SOUND PRESSURE LEVELS CAN CAUSE PERMANENT HEARING IMPAIRMENT OR LOSS. USER CAUTION IS ADVISED AND EAR PROTECTION IS RECOMMENDED IF UNIT IS OPERATED AT HIGH VOLUME.



EXPLANATION OF GRAPHICAL SYMBOLS:

EXPLICACION DE SIMBOLOS GRAFICOS:

EXPLICATION DES SYMBOLES GRAPHIQUES:



"DANGEROUS VOLTAGE"

"VOLTAJE PELIGROSO"

"DANGER HAUTE TENSION"

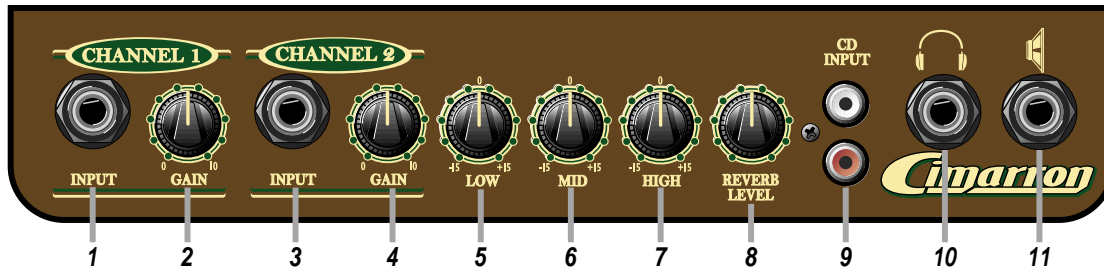


"IT IS NECESSARY FOR THE USER TO REFER TO THE INSTRUCTION MANUAL"

"ES NECESARIO QUE EL USUARIO SE REFIERA AL MANUAL DE INSTRUCCIONES."

"REFERREZ-VOUS AU MANUAL D'UTILISATION"

The Front Panel:



- 1,3: Input 1, Input 2.** The signal output from your acoustic instrument, tape player, rhythm machine, high-Z microphone or other source may be connected to either or both of these jacks by means of a shielded signal cable. Each of the input jacks is governed by its corresponding gain control (#2 for Input 1, #4 for Input 2). The signals from these two jacks are summed together after their gain stages.
- 2,4: Gain 1, Gain 2.** Use these controls to set the input gain level for the corresponding input jack. These controls set the level of the input signal and serve as the amplifier's volume controls.
- 5: Low.** This serves as the bass control for both channels. Adjust this control to get the best sounding bass response for your instrument. Excessive boost of the low control can cause an unnatural howling (acoustic feedback from your instrument) and should be avoided.
- 6: Mid.** This serves as the midrange control for both channels. Adjust this control to get the best projection and midrange tones for your instrument.
- 7: High.** This serves as the treble control for both channels. Adjust this control so your high notes and harmonic overtones are lively but not overpowering.
- 8: Reverb Level:** Use this control to adjust the amount of reverberation added to the signal. In the fully counter clockwise position, the signal is dry (no reverb added). As you rotate the control clockwise the amount of reverb increases.
- 9: CD Input.** Use these jacks to connect the output from a CD player, tape deck, or rhythm machine to the amplifier. The CD Input jacks are post EQ and Gain, so use the level control on the CD player (etc.) to adjust the level of the signal at these jacks.
- 10: Headphones.** Use this jack to connect headphones to the amplifier. The internal speaker is disconnected when this jack is used.
- 11: External Speaker.** Use this jack to connect the amplifier to an external speaker. The internal speaker is disconnected when this jack is used. The impedance of the external speaker must be 4 ohms or greater. *Do not attempt to use headphones in the External Speaker jack! Permanent hearing damage could result.*
- 12: Power Switch. (Rear panel, not shown)** Use this switch to apply power to the amplifier: the amp is on when the top of the switch is depressed, off when the bottom of the switch is depressed. The switch illuminates when the amp is on.
- 13: AC Line Cord. (Rear panel, not shown)** The grounded power cord should only be plugged into a grounded power outlet that meets all applicable electrical codes and is compatible with the voltage, power, and frequency requirements stated on the rear panel. **Do not attempt to defeat the safety ground connection.**

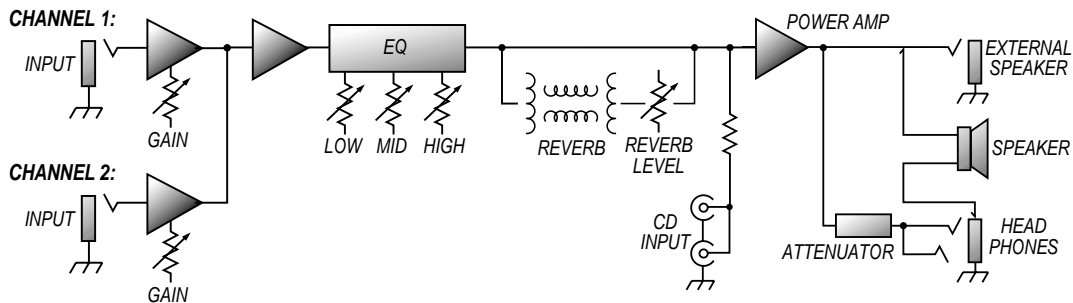


CA15 Acoustic Amplifier

Technical Specifications:

- Output Power Rating:** 12+ watts RMS @ 5% THD, 4 ohm load
Low: $\pm 15\text{dB}$ @ 80Hz
Mid: $\pm 15\text{dB}$ @ 650Hz
High: $\pm 15\text{dB}$ @ 10kHz
Input Impedance: 1.5M ohm
Max Input Signal: 7v peak to peak
Total System Gain: 52dB @ 1kHz
Input Sensitivity: 20mV
Internal Speakers: 8" Crate Custom Design, 4 ohm, 15 watts; Piezo Tweeter
Power Requirements: 120VAC, 60Hz, 30VA
100/115VAC, 50/60Hz, 30VA
230VAC, 50/60Hz, 30VA
Size and Weight: 14"H x 14"W x 12"D, 21 lbs.

System Block Diagram:



Declaration Of Conformity

#33, Effective 01-01-2001

Manufacturer's Name: SLM Electronics
Production Facility: 1901 Congressional Drive, St. Louis, MO 63146, USA
Production Facility: 700 Hwy 202 W, Yellville, AR 72687, USA
Shipping Facility: 1400 Ferguson Ave., St. Louis, MO 63133, USA
Office Facility: 1400 Ferguson Ave., St. Louis, MO 63133, USA

Product Type: Audio Amplifier

Complies with the following Standards:

Safety: EN60065, E60065, C22.2, UL6500 and/or UL813
EMC: Directive 89/336/EEC, EN55103, EN55013, EN61000, and/or FCC 47CFR 15B cIA

Supplementary information provided by:
SLM Electronics - R & D Engineering
1901 Congressional Drive, St. Louis, MO 63146, USA
Tel.: 314-569-0141, Fax: 314-569-0175

Specifications and information in this manual are subject to change without notice.



©2004 SLM Electronics • A Division of St. Louis Music Co.
1400 Ferguson Avenue • St. Louis, MO 63133

47-936-01 • 022404

Free Manuals Download Website

<http://myh66.com>

<http://usermanuals.us>

<http://www.somanuals.com>

<http://www.4manuals.cc>

<http://www.manual-lib.com>

<http://www.404manual.com>

<http://www.luxmanual.com>

<http://aubethermostatmanual.com>

Golf course search by state

<http://golfingnear.com>

Email search by domain

<http://emailbydomain.com>

Auto manuals search

<http://auto.somanuals.com>

TV manuals search

<http://tv.somanuals.com>