



**CRATE**

**G.120C STEREO CHORUS AMP**

**CRATE****G-120C STEREO CHORUS AMPLIFIER**

---



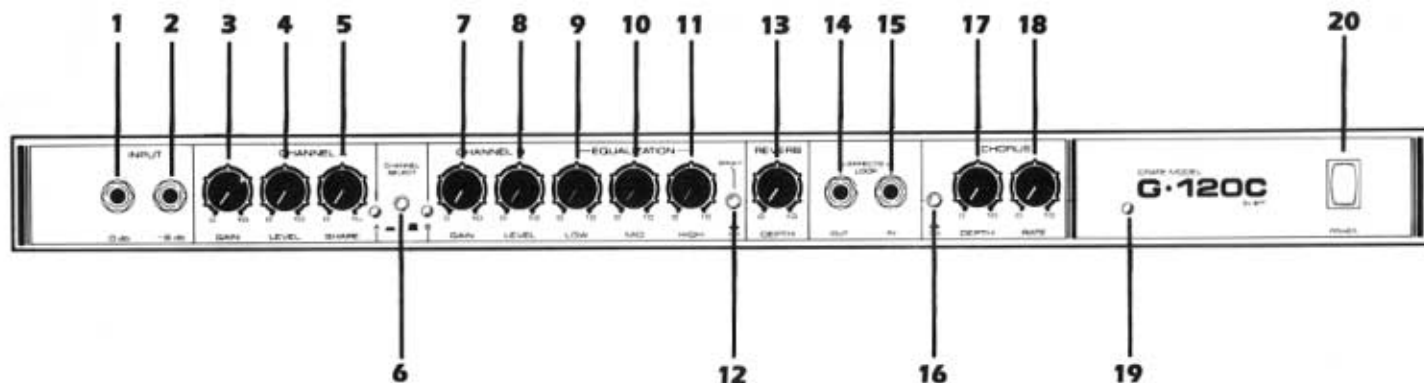
We would like to take this opportunity to thank you for selecting a Crate product, and to tell you of our commitment to the design and manufacture of only the finest musical instrument amplification equipment; built for you, the musician.

You have purchased one of the most innovative sound amplification devices available today. Your Crate amplifier gives you more performance features than ever before; features that you, the musician, have asked for.

Your Crate amplifier is an American product, manufactured at our factory in St. Louis, Missouri. Only the finest available components and materials are used in the manufacture of each amplifier.

All Crate amplifiers are subject to seven or more inspection and testing stops to assure you of a high quality product. The final test for each amp is conducted by a trained musician with the instrument the amp was designed for. Any unit that does not meet the standards of his discriminating ear will not be passed.

Since all Crate products are designed, developed, and manufactured through the cooperative efforts of engineers and professional musicians, the end result is a product that responds to the musician's audio requirements, and a product that will serve your needs for years to come.



**FRONT PANEL—INPUT SECTION**

1. **0 dB INPUT JACK:** This input accepts a standard 1/4" phone plug and is suitable for any low to line level signal source such as an electric guitar.
2. **-6 dB INPUT JACK:** This input also accepts a standard 1/4" jack but is padded 6 dB for hotter inputs such as tape decks or guitars with hot pickups. If both jacks are used, this input is not padded and will be equal to the 0 dB input jack.

**CHANNEL A CONTROLS**

3. **GAIN CONTROL:** This control sets the amount of gain for Channel A and is used to vary the amount of distortion. Minimal distortion is achieved with this control rotated counter-clockwise. A fully clockwise setting creates maximum distortion.
4. **LEVEL CONTROL:** The overall volume of Channel A is controlled with this knob and should be used in conjunction with the GAIN CONTROL (3).
5. **SHAPE CONTROL:** This is the overall tone control for Channel A. Set at half rotation a sound emphasizing mid-range is achieved. When rotated fully clockwise a "heavily textured" sound is created with extra boost in lows and highs. Rotated fully counter-clockwise a sound is produced containing extra boost in lows and upper mids.
6. **CHANNEL SELECT SWITCH:** This switch is used to select between Channel A and Channel B. When using the Channel/Reverb footswitch (21) this switch is inoperative.

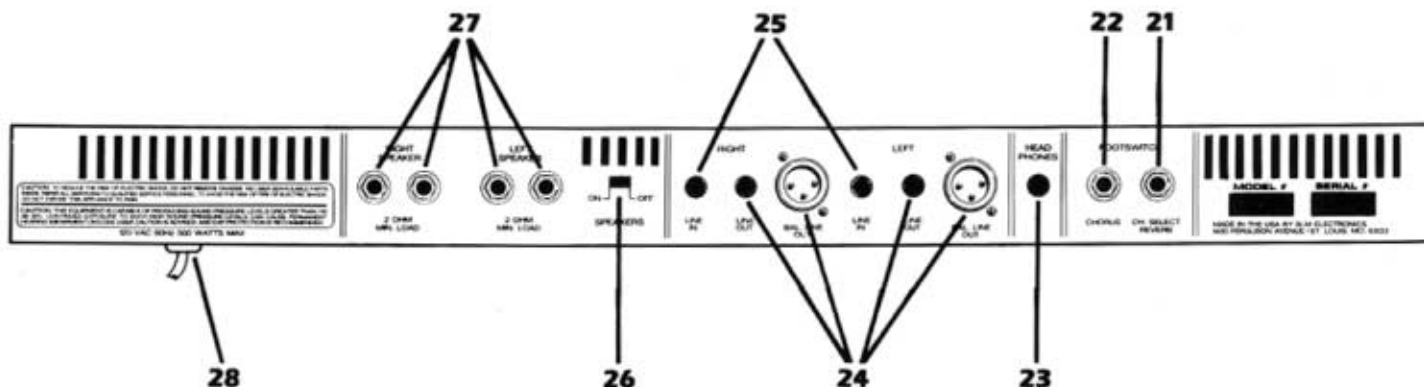
**CHANNEL B CONTROLS**

7. **GAIN CONTROL:** This control sets the gain of Channel B. Higher settings may be desired if the guitar has a weak output or if an overdriven, distorted sound is needed. Lower settings may be wanted for a hotter guitar or for a cleaner sound.
8. **LEVEL CONTROL:** The overall volume of Channel B is controlled by this knob which should be used in conjunction with the Gain Control (7).
9. **LOW CONTROL:** The desired amount of bass may be increased or decreased with this control.
10. **MID CONTROL:** The tonal qualities of the midrange are very important to a good guitar sound. This knob can "thin-out" the sound when turned down or "fatten-up" the sound when turned up.
11. **HIGH CONTROL:** This knob will affect the treble sound of the guitar. For additional effect use this control in conjunction with the Bright Switch (12).

**COMMON CONTROLS**

12. **BRIGHT SWITCH:** This switch affects the brilliance of the guitar's sound by adding "bite" or sharpness.
13. **DEPTH CONTROL (REVERB):** This control allows the player to alter the apparent acoustical qualities of a room. The sound can be altered from very "flat" or "dry" when the control is turned off to that of a concert hall when used in larger amounts.

14. **EFFECTS LINE OUT JACK:** This 1/4" jack can be used together with the Effects Line In jack (15) as an effects loop. The signal level at this point will allow the use of most "pedal" type effects. When used alone this jack does not interrupt the signal flow through the unit.
15. **EFFECTS LINE IN JACK:** This 1/4" jack is the return for the effects loop described above. When used alone, however, this jack acts as an input and disconnects the normal signal through the unit.
16. **CHORUS SWITCH:** This switch turns on the stereo chorus when depressed. When using the Chorus footswitch (22) this switch is inactive.
17. **DEPTH:** This control sets the amount or depth of the chorus effect.
18. **RATE:** This control sets the sweep speed of the chorus effect. Together, these two chorus controls determine the overall chorus effect from a slow, "phasing" sound to a lively, shimmering effect and beyond. The stereo nature of the G-120C gives a "three-dimensional" quality to the unit making it sound full and "alive."
19. **ON/OFF LED INDICATOR:** The amplifier is on when this LED is lit.
20. **ON/OFF SWITCH:** Pushing this switch down turns the unit on.



## REAR PANEL

- 21. CHANNEL/REVERB FOOTSWITCH JACK:** This jack is to be used with the Channel Selector/Reverb footswitch.
- 22. CHORUS FOOTSWITCH JACK:** This jack is to be used with any standard footswitch to control the chorus.
- 23. HEADPHONES JACK:** Standard stereo headphones may be plugged into this jack. The chorus will be heard in stereo. The speakers may be turned off with the Speaker On/Off Switch (26).
- 24. LINE OUT JACKS:** These jacks are used to connect the unit to additional amplifiers or to connect the amp to a tape recorder or mixing board. Using both the left and right outputs will preserve the stereo signal. External speakers cannot be connected to these jacks.
- 25. LINE IN JACKS:** These jacks are used as a direct input to the power amp. They can be used in conjunction with the Line Out jacks (24) for a stereo effects loop.
- 26. SPEAKER ON/OFF SWITCH:** This switch turns the speakers off for private headphone listening.
- 27. SPEAKER OUTPUT JACKS:** These jacks are for hooking speakers up to the unit. The left and right sides have two jacks connected in parallel. Do not go below 2 ohms total load impedance for each side.
- 28. POWER CORD:** Be sure the amplifier is properly plugged into a safely wired AC outlet for use.

## LIMITED WARRANTY

SLM Electronics warrants this product to be free of defects in material and workmanship for a period of one (1) year from the original date of purchase to the original purchaser and is not transferable. Speakers, tubes, and meters carry a ninety (90) day warranty. This warranty is subject to the conditions, exclusions, and limitations hereinafter set forth.

Excluded from this warranty are defects caused by wear and tear, misuse, neglect, alterations and modifications, or act of nature. Such determinations will be made by SLM Electronics. Warranty is also void if:

- The original retail purchase is not made from an Authorized Crate or Audio Centron dealer;
- The serial number affixed to the product is altered, defaced or removed.

All parts costs will be borne by SLM Electronics within the warranty period. Labor costs will be covered within the warranty period according to rate schedules established by SLM Electronics. Warranty service may be done by SLM Electronics or an SLM Authorized Field Service Center. Transportation charges involved in warranty service are the sole responsibility of the purchaser.

SLM Electronics warrants speakers to be free from defects in material and

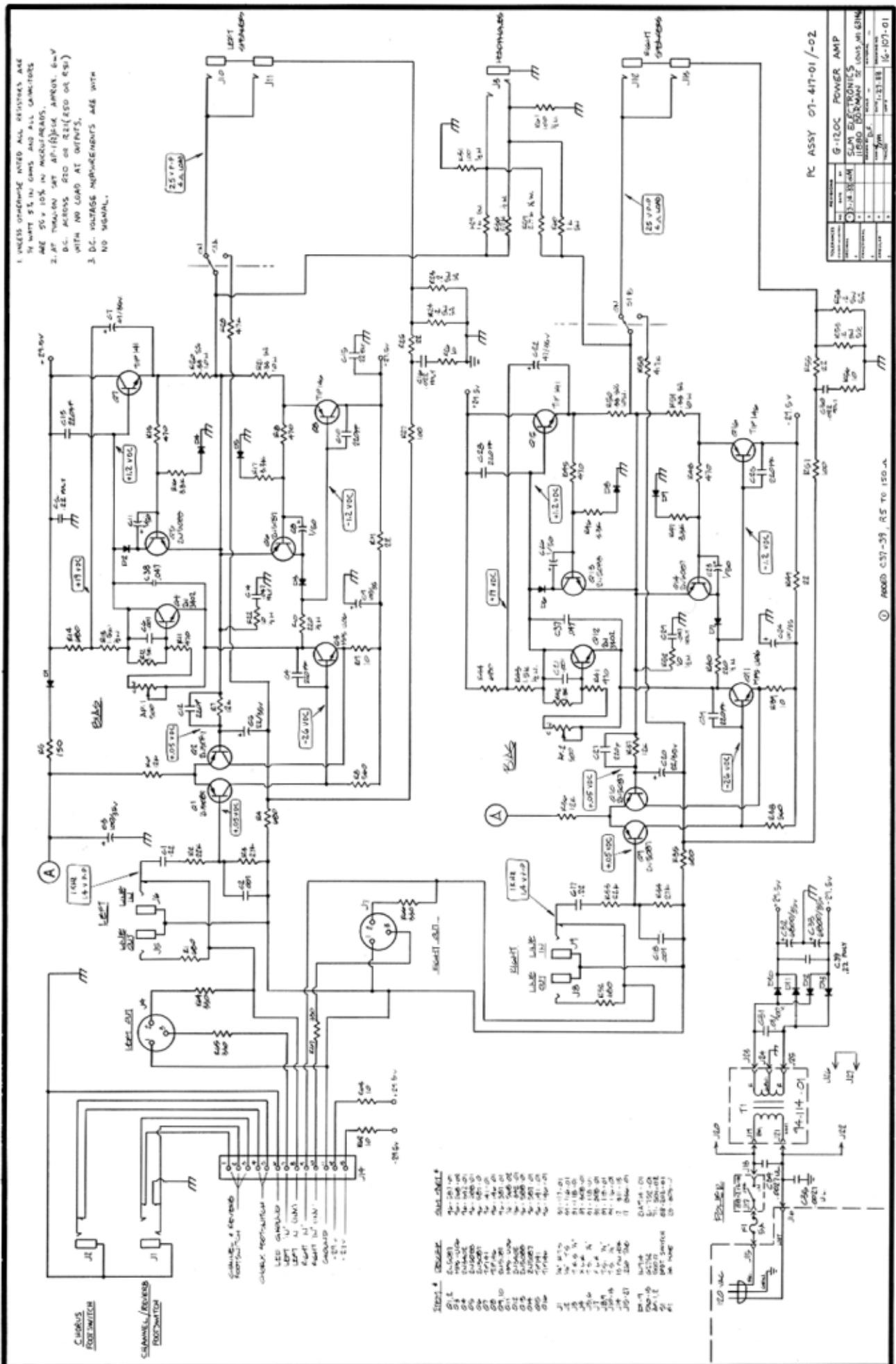
workmanship for a period of ninety (90) days from original date of purchase. Speaker warranty will be subject to inspection of speaker by SLM Electronics or SLM Authorized Field Service Center. Obvious overpowering will result in warranty denial. Realizing speakers can be overloaded causing failure, SLM Electronics will replace the speaker with a speaker of some or equal type at a price one-half the then current suggested retail price of the new speaker of like, regardless of reason.

Warranty repairs may be handled by your authorized dealer, authorized SLM Service Center, or SLM Electronics. All units being returned to SLM Electronics must be accompanied with a detailed description as to needed repairs, a copy of the original sales receipt, and an SLM Electronics return authorization. SLM Electronics reserves the right to repair or replace this piece of equipment at their option.

SLM Electronics is not liable for any incidental or consequential damages resulting from any defect or failure of this instrument other than the repair of the SLM Electronics product subject to the terms of this warranty. This limited warranty gives you specific legal rights, and you may have other rights which vary from state to state. This warranty is expressly in lieu of all other agreements and warranties, expressed or implied, except as may be otherwise required by law.







**CAUTION:** These servicing instructions are for use by qualified personnel only. To avoid electric shock, do not perform any servicing other than that contained in the operating instructions. Refer servicing to qualified service personnel.

## LIMITED WARRANTY

SLM Electronics warrants this product to be free of defects in material and workmanship for a period of one (1) year from the original date of purchase to the original purchaser and is not transferable. Speakers, tubes, and meters carry a ninety (90) day warranty. This warranty is subject to the conditions, exclusions, and limitations hereinafter set forth.

Excluded from this warranty are defects caused by wear and tear, misuse, neglect, alterations and modifications, or act of nature. Such determinations will be made by SLM Electronics. Warranty is also void if:

- a. The original retail purchase is not made from an Authorized Crate or Audio Centron dealer;
- b. The serial number affixed to the product is altered, defaced or removed.

All parts costs will be borne by SLM Electronics within the warranty period. Labor costs will be covered within the warranty period according to rate schedules established by SLM Electronics. Warranty service may be done by SLM Electronics or an SLM Authorized Field Service Center. Transportation charges involved in warranty service are the sole responsibility of the purchaser.

SLM Electronics warrants speakers to be free from defects in material and

workmanship for a period of ninety (90) days from original date of purchase. Speaker warranty will be subject to inspection of speaker by SLM Electronics or SLM Authorized Field Service Center. Obvious overpowering will result in warranty denial. Realizing speakers can be overloaded causing failure, SLM Electronics will replace the speaker with a speaker of some or equal type at a price one-half the then current suggested retail price of the new speaker of like, regardless of reason.

Warranty repairs may be handled by your authorized dealer, authorized SLM Service Center, or SLM Electronics. All units being returned to SLM Electronics must be accompanied with a detailed description as to needed repairs, a copy of the original sales receipt, and an SLM Electronics return authorization. SLM Electronics reserves the right to repair or replace this piece of equipment at their option.

SLM Electronics is not liable for any incidental or consequential damages resulting from any defect or failure of this instrument other than the repair of the SLM Electronics product subject to the terms of this warranty. This limited warranty gives you specific legal rights, and you may have other rights which vary from state to state. This warranty is expressly in lieu of all other agreements and warranties, expressed or implied, except as may be otherwise required by law.

---

---

**G-120C TECHNICAL SPECIFICATIONS**

---

---

<b>Output Power Rating</b>	120 Watts RMS @ 5% THD 4 ohm load — 120 VAC
<b>Speaker Size and Rating</b>	G-120C: Custom Design 12" with 1-1/2" voice coil Power Handling 60 Watts RMS G-120CH: No speaker, head only
<b>Bass Control</b>	30 dB range @ 100 Hz.
<b>Mid Control</b>	12 dB range @ 1 KHz.
<b>Treble Control</b>	26 dB range @ 5 KHz.
<b>Bright Switch</b>	Ch. A: 4 dB boost @ 5 KHz Ch. B: 7 dB boost @ 10 KHz
<b>Input Impedance</b>	220K ohms/"0 dB" input 44K ohms/"-6 dB" input
<b>Maximum Input Signal Level Accepted</b>	4 v peak to peak/"0 dB" input 8 v peak to peak/"-6 dB" input
<b>Total System Gain</b>	Ch. A: 80 dB @ 1 KHz Ch. B: 66 dB @ 1 KHz
<b>Signal to Noise Ratio</b>	Ch. A: 45 dB Ch. B: 62 dB
<b>Input Power Requirements</b>	120 VAC, 60 Hz, 500 Watts max.
<b>Cabinet Size and Weights</b>	21" H x 26-1/2" W x 11" D 58 lbs.

Specifications subject to change without notice.

**CAUTION:** To reduce the risk of electric shock, do not remove chassis. No user serviceable parts inside. Refer servicing to qualified service personnel.

**CAUTION:** This amplifier is capable of producing high sound pressure levels (high volume). Continued exposure to high sound pressure levels can cause permanent hearing impairment or loss. User caution is advised, and ear protection is recommended when playing at high volumes.



## Free Manuals Download Website

<http://myh66.com>

<http://usermanuals.us>

<http://www.somanuals.com>

<http://www.4manuals.cc>

<http://www.manual-lib.com>

<http://www.404manual.com>

<http://www.luxmanual.com>

<http://aubethermostatmanual.com>

Golf course search by state

<http://golfingnear.com>

Email search by domain

<http://emailbydomain.com>

Auto manuals search

<http://auto.somanuals.com>

TV manuals search

<http://tv.somanuals.com>