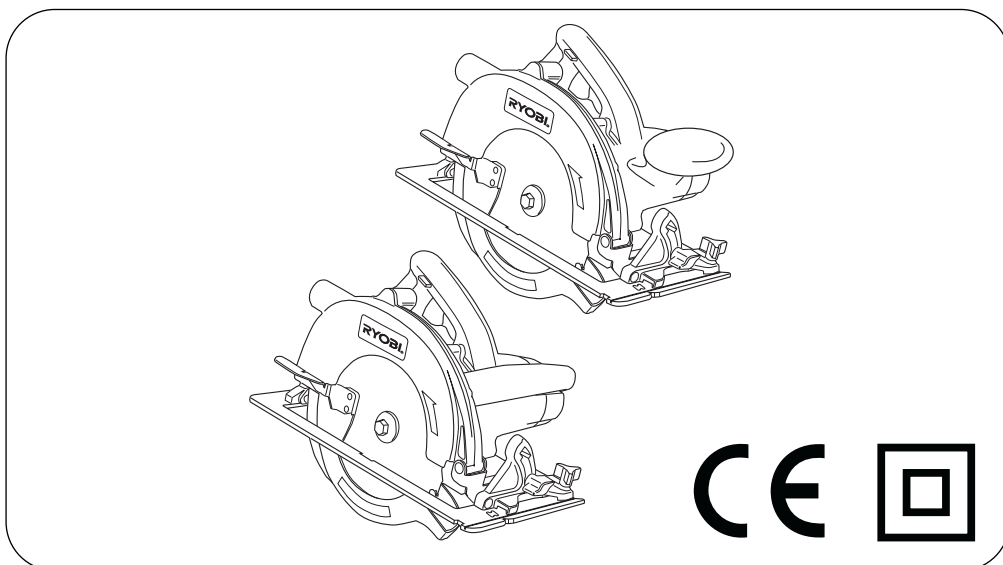
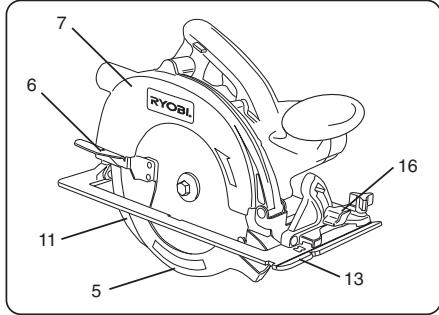




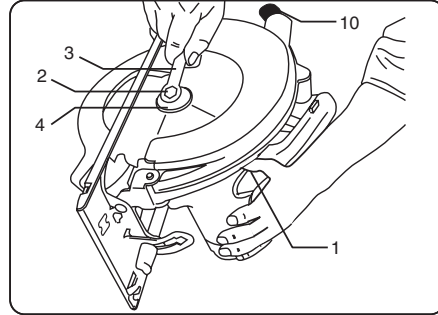
WS-6613
WS-6615 / WS-6615X

(F) SCIE CIRCULAIRE	MANUEL D'UTILISATION	5
(GB) CIRCULAR SAW	USER'S MANUAL	11
(D) KREISSÄGE	BEDIENUNGSANLEITUNG	16
(E) SIERRA CIRCULAR	MANUAL DE UTILIZACIÓN	22
(I) SEGA CIRCOLARE	MANUALE D'USO	28
(P) SERRA CIRCULAR	MANUAL DE UTILIZAÇÃO	34
(NL) CIRKELZAAG	GEBRUIKERSHANDLEIDING	39
(S) CIRKELSÅG	INSTRUKTIONSBOK	45
(DK) RUNDSAV	BRUGERVEJLEDNING	50
(N) SIRKELSAG	BRUKSANVISNING	55
(FIN) PYÖRÖSAHA	KÄYTTÄJÄN KÄSIKIRJA	60
(GR) ΚΥΚΛΙΚΟ ΠΡΙΟΝΙ	ΟΔΗΓΙΕΣ ΧΡΗΣΗΣ	65
(HU) KÖRF RÉSZ	HASZNÁLATI ÚTMUTATÓ	71
(CZ) KOTOU OVÁ PILA	NÁVOD K OBSLUZE	77
(RU) ЦИРКУЛЯРНАЯ ПИЛА	РУКОВОДСТВО ПО ЭКСПЛУАТАЦИИ	82
(RO) FIERĂSTRĂU CIRCULAR	MANUAL DE UTILIZARE	87
(PL) PI A TARCZOWA	INSTRUKCJA OBS UGI	93

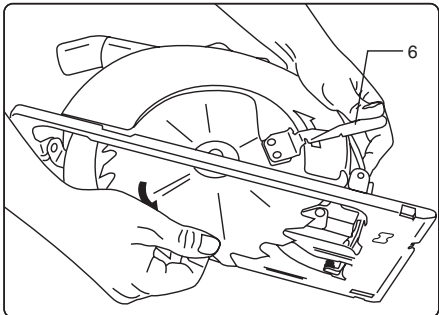




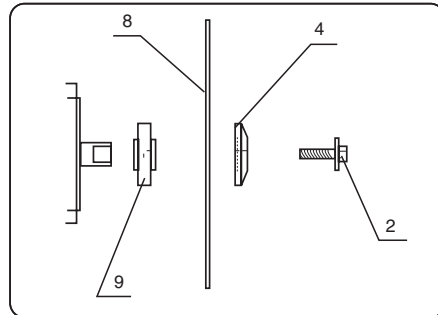
1



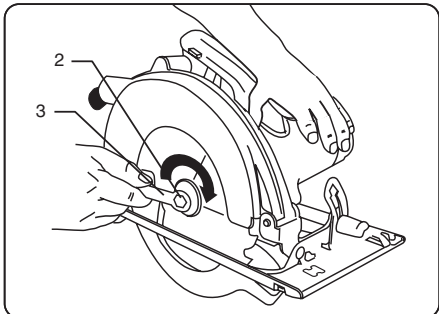
2



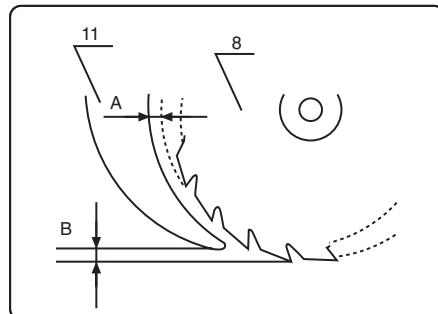
3



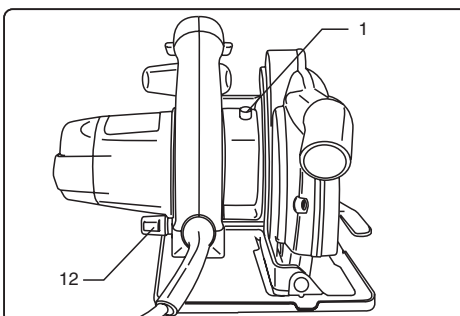
4



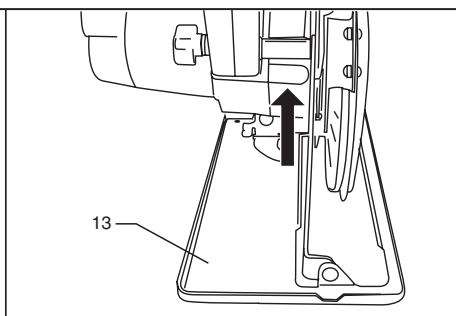
5



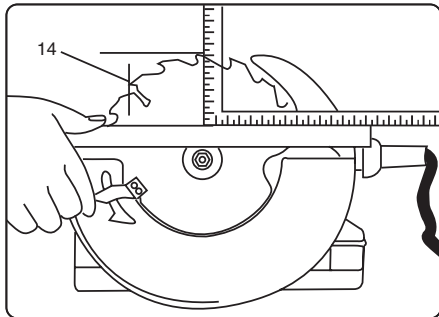
6



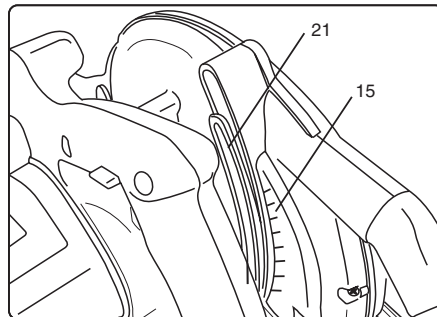
7A



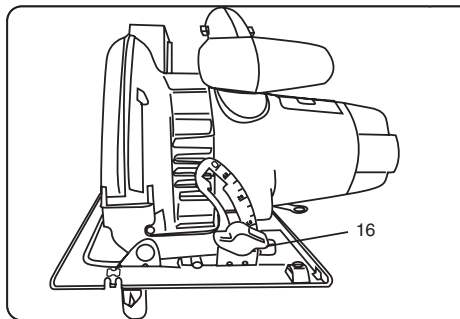
7B



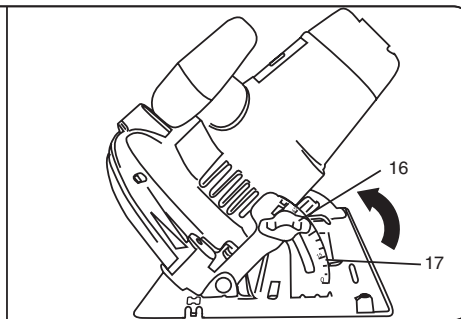
8



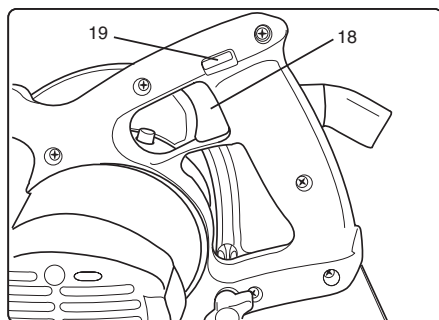
9



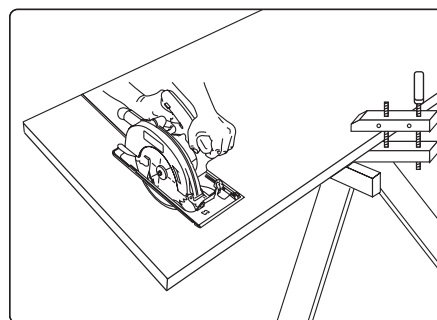
10A



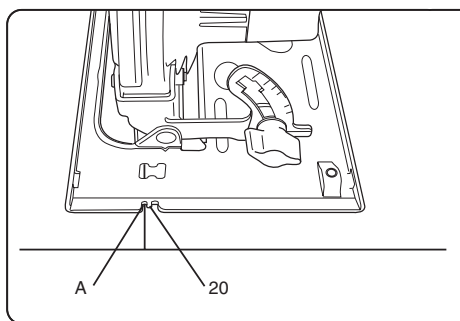
10B



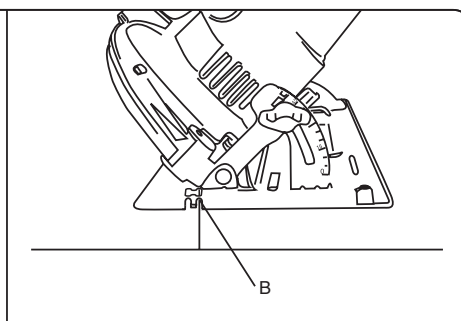
11



12



13A



13B

Attention !	Il est indispensable que vous lisiez les instructions contenues dans ce manuel avant le montage et la mise en service de l'appareil.
Important!	It is essential that you read the instructions in this manual before mounting and operating this machine.
Achtung!	Bitte lesen Sie unbedingt vor Montage und Inbetriebnahme die Hinweise dieser Bedienungsanleitung.
¡Atención!	Es imprescindible que lea las instrucciones de este manual antes del montaje y de la puesta en servicio.
Attenzione!	Prima di procedere al montaggio e alla messa in funzione, è indispensabile leggere attentamente le istruzioni del presente manuale.
Atenção!	É indispensável ler as instruções deste manual antes de montar e pôr em serviço.
Let op !	Het is absoluut noodzakelijk vóór montage en inbedrijfstelling de aanwijzingen in deze handleiding te lezen.
Observera!	Det är nödvändigt att läsa instruktionerna i denna bruksanvisning före montering och driftsättning.
OBS!	Denne brugsanvisning skal læses igennem inden montering og ibrugtagning.
Advarsel!	Vennligst les instruksjonene i denne bruksanvisningen før du monterer og tar i bruk maskinen.
Huomio!	On ehdottoman vältämätöntä lukea tässä käyttöohjeessa annetut ohjeet ennen asennusta ja käyttöönottoa.
Προσοχή !	Είναι απαραίτητο να διαβάσετε τις συστάσεις των οδηγιών αυτών πριν τη συναρμολόγηση και τη θέση σε λειτουργία.
Figyelem !	Feltétlenül fontos, hogy a jelen használati útmutatóban foglalt el írásokat az összeszerelés és az üzembe helyezés előtt elolvassa !
De le ité upozorn ni!	P ed montá í ná adí a uvedením do provozu je nutné si p e íst následující pokyny.
Vнимание!	Перед сборкой и запуском инструмента необходимо прочесть инструкции из настоящего руководства.
Atenție !	Este indispensabil să citiți instrucțiunile continute în acest mod de utilizare înainte de montaj și de punerea în funcțiune.
Uwaga !	Przed montowaniem i uruchomieniem, koniecznie musicie si Pa stwo zapozna z zaleceniami zawartymi w niniejszym sposobie u ycia.

Sous réserve de modifications techniques / Subject to technical modifications / Technische Änderungen vorbehalten /
Bajo reserva de modificaciones técnicas / Con riserva di eventuali modifiche tecniche / Com reserva de modificações técnicas /
Technische wijzigingen voorbehouden / Med förbehåll för tekniska ändringar / Med forbehold for tekniske ændringer /
Med forbehold om tekniske endringer / Tekniset muutokset varataan / Υπό την επιφύλαξη τεχνικών τροποποιήσεων /
Am szakai módosítás jogát fenntartjuk / Zm ny technick ch údaj vyhrazeny / Могут быть внесены технические изменения /
Sub rezerva modificatiilor tehnice / Z zastrze eniem modyfikacji technicznych

GENERAL SAFETY RULES



WARNING

Read all instructions. Failure to follow all instructions listed below may result in electric shock, fire and/or serious injury. The term "power tool" in all of the warnings listed below refers to your mains operated(corded) power tool or battery operated(cordless) power tool.

SAVE THESE INSTRUCTIONS.

WORK AREA

- **Keep work area clean and well lit.** Cluttered and dark areas invite accidents.
- **Do not operate power tools in explosive atmospheres, such as in the presence of flammable liquids, gases, or dust.** Power tools create sparks which may ignite the dust or fumes.
- **Keep children and bystanders away while operating a power tool.** Distractions can cause you to lose control.

ELECTRICAL SAFETY

- **Power tool plugs must match the outlet. Never modify the plug in any way. Do not use any adapter plugs with earthed(grounded) power tools.** Unmodified plugs and matching outlets will reduce risk of electric shock.
- **Avoid body contact with earthed or grounded surfaces such as pipes, radiators, ranges and refrigerators.** There is an increased risk of electric shock if your body is earthed or grounded.
- **Do not expose power tools to rain or wet conditions. Water entering a power tool will increase the risk of electric shock.**
- **Do not abuse the cord. Never use the cord for carrying, pulling or unplugging the power tool. Keep cord away from heat, oil, sharp edges or moving parts.** Damaged or entangled cords increase the risk of electric shock.
- **When operating a power tool outdoors, use an extension cord suitable for outdoor use.** Use of a cord suitable for outdoor use reduces the risk of electric shock.

PERSONAL SAFETY

- **Stay alert, watch what you are doing and use common sense when operating a power tool. Do not use a power tool while you are tired or under the influence of drugs, alcohol or medication.** A moment of inattention while operating power tools may result in serious personal injury.
- **Use safety equipment. Always wear eye protection.** Safety equipment such as dust mask, non-skid safety shoes, hard hat, or hearing protection used for appropriate conditions will reduce personal injuries.
- **Avoid accidental starting. Ensure the switch is in the off position before plugging in.** Carrying

power tools with your finger on the switch or plugging in power tools that have the switch on invites accidents.

- **Remove any adjusting key or wrench before turning the power tool on.** A wrench or a key left attached to a rotating part of the power tool may result in personal injury.
- **Do not overreach. Keep proper footing and balance at all times.** This enables better control of the power tool in unexpected situations.
- **Dress properly. Do not wear loose clothing or jewellery. Keep your hair, clothing and gloves away from moving parts.** Loose clothes, jewellery or long hair can be caught in moving parts.
- **If devices are provided for the connection of dust extraction and collection facilities, ensure these are connected and properly used.** Use of these devices can reduce dust related hazards.

POWER TOOL USE AND CARE

- **Do not force the power tool. Use the correct power tool for your application.** The correct power tool will do the job better and safer at the rate for which it was designed.
- **Do not use the power tool if the switch does not turn it on and off.** Any power tool that can not be controlled with the switch is dangerous and must be repaired.
- **Disconnect the plug from the power source before making any adjustments, changing accessories, or storing power tools.** Such preventive safety measures reduce the risk of starting the power tool accidentally.
- **Store idle power tools out of the reach of children and do not allow persons unfamiliar with the power tool or these instructions to operate the power tool.** Power tools are dangerous in the hands of untrained users.
- **Maintain power tools. Check for misalignment or binding of moving parts, breakage of parts and any other condition that may affect the power tools operation. If damaged, have the power tool repaired before use.** Many accidents are caused by poorly maintained power tools.
- **Keep cutting tools sharp and clean.** Properly maintained cutting tools with sharp cutting edges are less likely to bind and are easier to control.
- **Use the power tool, accessories and tool bits etc., in accordance with these instructions and in the manner intended for the particular type of power tool, taking into account the working conditions and the work to be performed.** Use of the power tool for operations different from intended could result in a hazardous situation.

SERVICE

- **Have your power tool serviced by a qualified repair person using only identical replacement parts.** This will ensure that the safety of the power tool is maintained.

CIRCULAR SAW SAFETY

- **Keep hands away from cutting area and blade. Keep your second hand on auxiliary handle or motor housing.** If both hands are holding the saw, they cannot be cut by the blade.
- **Do not reach underneath the workpiece.** The guard cannot protect you from the blade below the workpiece.
- **Adjust the cutting depth to the thickness of the workpiece.** Less than a full tooth of the blade teeth should be visible below the workpiece.
- **Never use damaged or incorrect blade washers or bolts.** The blade washers and bolt were specially designed for your saw, for optimum performance and safety of operation.
- **NEVER hold piece being cut in your hands or across your leg.** Secure the workpiece to a stable platform. It is important to support the work properly to minimize body exposure, blade binding, or loss of control.
- **Hold power tool by insulating gripping surfaces when performing an operation where the cutting tool may contact hidden wiring or its own cord.** Contact with a "live" wire will also make exposed metal parts of the tool live and shock the operator.
- **When ripping always use a rip fence or a straight edge guide.** This improves the accuracy of cut and reduces the chance of blade binding.
- **Always use blades with correct size and shape (diamond versus round) of arbor holes.** Blades that do not match the mounting hardware of the saw will run eccentrically, causing loss of control.
- **Never use damaged or incorrect blade washers or bolts.** The blade washers and bolt were specially designed for your saw, for optimum performance and safety of operation.
- **Check the lower guard for proper closing before each use.** Do not operate saw if lower guard does not move freely and close instantly. Never clamp or tie the lower guard into the open position. If saw is accidentally dropped, lower guard may be bent. Raise the lower guard with the retracting handle and make sure it moves freely and does not touch the blade or any other part, in all angles and depths of cut.
- **Check the operation and condition of the lower guard spring.** If the guard and the spring are not operating properly, they must be serviced before use. Lower guard may operate sluggishly due to damaged parts, gummy deposits, or a buildup of debris.
- **Lower guard should be retracted manually only for special cuts such as "Pocket Cuts" and "Compound Cuts".** Raise lower guard by

Retracting Handle. As soon as blade enters the material, lower guard must be released. For all other sawing, the lower guard should operate automatically.

- **Always observe that the lower guard is covering the blade before placing saw down on bench or floor.** An unprotected, coasting blade will cause the saw to walk backwards, cutting whatever is in its path. Be aware of the time it takes for the blade to stop after switch is released.
- Do not use blades which are deforemed or cracked;
- Do not use saw blades made of high speed steel;
- Do not use blades which do not comply with characteristics specified in these instructions;
- Do not stop the blade by lateral pressure on the disc;
- Ensure that movable guards, operate freely without jamming;
- Do not lock the movable guard in the open position;
- Ensure that any retraction mechanism of the guard system operates correctly;
- Do not use any abrasive wheels on the saw

SAFETY INSTRUCTIONS FOR CIRCULAR SAW WITH RIVING KNIFE

- Use the appropriate riving knife for the blade being used. For the riving knife to work, it must be thicker than the body of the blade but thinner than the tooth set of the blade.
- Adjust the riving knife as described in this instruction manual. Incorrect spacing, positioning and alignment can make the riving knife ineffective in preventing kickback.
- Riving knife causes interference during plunge cutting and can create kickback.
- For the riving knife to work, it must be engaged in the workpiece. The riving knife is ineffective in preventing kickback during short cuts.
- Do not operate the saw if riving knife is bent. Even a light interference can slow the closing rate of a guard

CAUSE OF KICKBACK

- Kickback is a sudden reaction to a pinched, bound, or misaligned saw blade, causing an uncontrolled saw to lift up and out of the workpiece toward the operator.
- When the blade is pinched or bound tightly by the kerf closing down, the blade stalls and the motor reaction drives the unit rapidly back toward the operator.
- If the blade becomes twisted or misaligned in the cut, the teeth at the back edge of the blade can dig into the top surface of the wood causing the blade to climb out of the kerf and jump back toward the operator.

CIRCULAR SAW SAFETY

- Kickback is a result of tool misuse and/or incorrect operating procedures or conditions and can be avoided by taking proper precaution as given below.

PREVENTION OF KICKBACK

- Maintain a firm grip with both hands on the saw and position your arms to resist kickback forces. Position your body to either side of the blade, but not in line with the blade. Kickback could cause the saw to jump backwards, but kickback forces can be controlled by the operator, if proper precautions are taken.
- When blade is binding, or when interrupting a cut for any reason, release the trigger and hold the saw motionless in the material until the blade comes to a complete stop. Never attempt to remove the saw from the work or pull the saw backward while the blade is in motion or KICKBACK may occur. Investigate and take corrective actions to eliminate the cause of blade binding.
- When restarting a saw in the workpiece, center the saw blade in the kerf and check that teeth are not engaged into the material. If saw blade is binding, it may walk up or KICKBACK from the workpiece as the saw is restarted.
- Support large panels to minimize the risk of blade pinching and kickback. Large panels tend to sag under their own weight. Supports must be placed under the panel on both sides, near the line of cut and near the edge of the panel.
- Do not use dull or damaged blades. Unsharpened or improperly set blades produce narrow kerf causing excessive friction blade binding and kickback.
- Blade depth and bevel adjusting locking levers must be tight and secure before making cut. If blade adjustment shifts while cutting, it may cause binding and kickback.
- Use extra caution when making a "plunge cut" into existing walls or other blind areas. The protruding blade may cut objects that can cause kickback.

DESCRIPTION

- | | |
|------------------------|---------------------------|
| 1. Spindle lock button | 12. Depth lock knob |
| 2. Hex-head bolt | 13. Base plate |
| 3. Spanner | 14. Depth of cut |
| 4. Outer blade washer | 15. Depth scale |
| 5. Lower guard | 16. Bevel adjustment knob |
| 6. Lower guard lever | 17. Bevel scale |
| 7. Upper guard | 18. Trigger switch |
| 8. Blade | 19. Safety button |
| 9. Inner blade washer | 20. Line guide |
| 10. Dust nozzle | 21. Depth adjustment lug |
| 11. Riving knife | |

SPECIFICATIONS

WS-6613 / WS-6615 / WS-6615X

Blade diameter	190 mm
<i>(Use only blades of this diameter)</i>	
Blade bore diameter	30 mm
Max. thickness of blade disc	2.2 mm
Max. cutting capacities	
at 0°	66 mm
at 45°	50 mm
Frequency	50 Hz
Voltage	110V, 230V AC
Input	
WS-6613	1,300 W
WS-6615 / WS-6615X	1,500 W
No load speed	
WS-6613	4,600/min
WS-6615 / WS-6615X	5,500/min
Net weight	
WS-6613 / WS-6615X	5.1 kg
WS-6615	5.3 kg

STANDARD ACCESSORIES

Saw blade, Dust nozzle, Spanner.

APPLICATION

Sawing wood.

NOISE BUILD-UP

Noise (sound pressure level) in the workplace can exceed 85 dB. In this case, sound insulation and hearing protection measures must be taken by the operator.

ASSEMBLY INSTRUCTIONS

BE SURE TO DISCONNECT THE TOOL FROM THE POWER SUPPLY BEFORE ATTACHING OR REMOVING THE SAW BLADE. BE SURE THAT THE TEETH OF THE SAW BLADE ARE POINTING UPWARD AT THE FRONT OF THE TOOL.

ATTACHING AND REMOVING THE BLADE (FIGURES 2, 3, 4, AND 5)

ATTACHING THE BLADE

1. Pressing the spindle lock button (1), turn the hex-head bolt (2) with the spanner (3) until the spindle locks. (Fig.2)
2. Loosen the hex-head bolt by turning the spanner anticlockwise while pressing the spindle lock button. (Fig.2)
3. Remove the hex-head bolt and the outer blade washer (4). (Fig. 2)
4. Retract the lower guard (5) back with the lower guard lever (6) as far as possible under the upper guard (7). (Fig. 3)
5. Then, attach the saw blade (8) against the inner blade washer (9) on the spindle. Then fit the outer blade washer and the hex-head bolt. (Fig. 3 and 4)

ATTACHING AND REMOVING THE BLADE (FIGURES 2, 3, 4, AND 5)

- Press the spindle lock button again, tighten the hex-head bolt by turning the spanner clockwise while pressing the spindle lock button. (Fig. 5)
- After tightening the hex-head bolt, release the spindle lock button.

REMOVING THE BLADE

- Pressing the spindle lock button, turn the hex-head bolt with the spanner until the spindle locks.
- Loosen the hex-head bolt by turning the spanner anticlockwise while pressing the spindle lock button.
- Remove the hex-head bolt and the outer blade washer.
- Retract the lower guard back as far as possible under the upper guard, then remove the saw blade.

ADJUSTING THE RIVING KNIFE (FIG. 6)



WARNING!

Do not use saw blades the disk of which is thicker, or the set of which is smaller, than the thickness of the riving knife.

- Ensure that the riving knife is adjusted so that (Fig. 6):
 - The distance between the riving knife (11) and the toothed rim of the saw blade is under 5 mm.
 - The toothed rim does not extend more than 5 mm beyond the lower edge of the riving knife.
- The riving knife should always be used except when making a plunging cut in the middle of a workpiece.

ADJUSTING THE DEPTH OF CUT (FIG. 7A, 7B, 8, 9)

- To adjust the depth of cut, loosen the depth adjustment knob (12). (Fig. 7A)
- Slide the base plate (13) to the desired depth using the depth adjustment lug (21) and retighten the knob securely. (Fig. 7B)
- The depth of cut (14) can be determined by the depth scale (15) or by measuring the distance by which the blade protrudes from the base plate. (Fig. 8 and 9)

ADJUSTING THE CUTTING ANGLE (FIG. 10A, 10B)

- The cutting angle may be set to any position between 0° and 45°. (Fig. 10A)
- Loosen the bevel adjustment knob (16) at the front of the tool and move the base plate to the desired angle using the bevel scale (17). (Fig. 10B)
- Once the angle has been set, be sure to retighten the bevel adjustment knob firmly.

TRIGGER SWITCH (FIG. 11)

This tool is started and stopped by squeezing and releasing the trigger switch (18). To prevent the tool from being started accidentally, the trigger can only be operated if the safety button (19) is depressed first. The safety button can be depressed with the thumb leaving the other fingers free to squeeze the trigger switch. It is not necessary to maintain pressure on the safety button once the trigger switch has been depressed.

OPERATING INSTRUCTIONS (FIG. 12)



DANGER!

KEEP HANDS AWAY FROM THE CUTTING AREA WHEN OPERATING THE TOOL. KEEP THE CORD AWAY FROM THE CUTTING AREA AND POSITION IT SO THAT IT WILL NOT GET CAUGHT ON THE WORKPIECE DURING THE CUTTING OPERATION.

When cutting, use steady and even pressure (**DO NOT FORCE**) in order to obtain a uniform cut. Cut at a speed suited to the workpiece. (Cut slowly if the workpiece is hard.) Inspect the saw blade frequently and replace or sharpen it if dull, to avoid overloading the motor.

CUTTING POSITION (FIG. 13A, 13B)

When cutting a workpiece at 0°, use point "A" of the base plate line guide (20) and move the saw along the pencilled line you have drawn. When cutting at 45°, use point "B". This line guide shows an approximate line of cut. Make a sample cut in scrap lumber to determine the actual line of cut.



CAUTION!

When ripping, the rip fence should only touch the workpiece slightly. Do not force.

MAINTENANCE

After use, check the tool to make sure that it is in top condition.

We recommended that you take this tool to an Authorised Ryobi Service Centre for a thorough cleaning and lubrication at least once a year.

DO NOT MAKE ANY ADJUSTMENTS WHILE THE MOTOR IS RUNNING.
ALWAYS DISCONNECT THE POWER CORD FROM THE SOCKET BEFORE CHANGING REMOVABLE OR EXPENDABLE PARTS (BLADE, BIT, SANDPAPER, ETC.), LUBRICATING OR WORKING ON THE SAW.
KEEP HANDLES CLEAN AND FREE FROM OIL AND GREASE.



WARNING!

For greater safety and reliability, all repairs should be performed by an Authorised Ryobi Service Centre.

SAVE THESE INSTRUCTIONS FOR FUTURE REFERENCE.

WARRANTY

All Ryobi products are guaranteed against manufacturing defects and defective parts for a period of twenty four (24) months from the date stated on the original invoice drawn up by the retailer and given to the end user.

Deterioration caused by normal wear and tear, unauthorised or improper use or maintenance, or overload are excluded from this guarantee as are accessories such as battery packs, light bulbs, blades, fittings, bags, etc.

In the event of malfunction during the warranty period, please take the **NON-DISMANTLED** product, along with the proof of purchase, to your retailer or nearest Authorised Ryobi Service Centre.

This warranty in no way affects your legal rights concerning defective products.

ENVIRONMENTAL PROTECTION



Recycle raw materials instead of disposing as waste.

The machine, accessories and packaging should be sorted for environmental-friendly recycling.

ALLGEMEINE SICHERHEITSVORSCHRIFTEN



WARNUNG

Lesen Sie alle Anweisungen durch. Die Missachtung der nachfolgenden Anweisungen kann zu Unfällen wie Bränden, elektrischen Schlägen und/oder schweren Körperverletzungen führen. Unter dem in diesen Vorschriften verwendeten Begriff "elektrisches Gerät" sind sowohl elektrische Geräte mit Kabel als auch elektrische Geräte ohne Kabel (Akku-Geräte) zu verstehen.

BEWAHREN SIE DIESE ANWEISUNGEN AUF.

ARBEITSUMGEBUNG

- **Der Arbeitsbereich muss stets sauber und gut beleuchtet sein.** Vollgestellte und dunkle Räume können zu Unfällen führen.
- **Verwenden Sie elektrische Geräte nicht in einer explosionsgefährdeten Umgebung, z. B. in der Nähe von brennbaren Flüssigkeiten, Gas oder Staub.** Die Funken von elektrischen Geräten können diese Elemente in Brand setzen oder zu einer Explosion führen.
- **Halten Sie bei der Verwendung eines elektrischen Geräts Kinder und Besucher fern.** Diese können Sie ablenken und dazu führen, dass Sie die Kontrolle über Ihr Gerät verlieren.

ELEKTRISCHE SICHERHEIT

- **Der Stecker des elektrischen Geräts muss der Steckdose entsprechen.** Führen Sie keine Veränderungen am Stecker durch. Verwenden Sie niemals einen Adapter mit geerdeten oder an Masse gelegten elektrischen Geräten. Durch Befolgung dieser Anweisung vermeiden Sie die Risiken eines elektrischen Schlages.
- **Vermeiden Sie jeden Kontakt mit geerdeten oder an Masse gelegten Flächen (d. h. Rohren, Heizkörpern, Backöfen, Kühlschränken usw.).** Die Risiken eines elektrischen Schlages erhöhen sich, wenn ein Teil Ihres Körpers mit geerdeten oder mit Masse verbundenen Flächen in Kontakt ist.
- **Ein elektrisches Gerät darf weder Regen noch Feuchtigkeit ausgesetzt werden.** Die Risiken eines elektrischen Schlages erhöhen sich, wenn Wasser in Ihr elektrisches Gerät eindringt.

- **Achten Sie darauf, dass das Stromkabel in einwandfreiem Zustand bleibt.** Halten Sie Ihr Gerät niemals am Stromkabel und ziehen Sie niemals am Stromkabel, um den Stecker aus der Steckdose zu ziehen. Halten Sie das Stromkabel stets von Wärmequellen, Öl, scharfkantigen Objekten und rotierenden Elementen fern. Die Risiken eines elektrischen Schlages erhöhen sich, wenn das Kabel beschädigt oder verwickelt ist.
- **Verwenden Sie beim Arbeiten im Freien nur für eine Verwendung im Freien konzipierte Verlängerungskabel.** Durch Befolgung dieser Anweisung vermeiden Sie die Risiken eines elektrischen Schlages.

PERSÖNLICHE SICHERHEIT

- **Blieben Sie wachsam, richten Sie Ihren Blick auf Ihre Arbeit und gehen Sie bei der Verwendung eines elektrischen Geräts stets umsichtig und konzentriert vor.** Verwenden Sie Ihr elektrisches Gerät nicht, wenn Sie müde sind, wenn Sie unter dem Einfluss von Alkohol oder Drogen stehen, oder wenn Sie Medikamente einnehmen. Denken Sie daran, dass eine sekundenlange Unkonzentriertheit genügen kann, um eine schwere Verletzung zu verursachen.
- **Tragen Sie geeignete Schutzausrüstungen. Schützen Sie stets Ihre Augen.** Tragen Sie je nach Bedingungen auch eine Staubschutzmaske, rutschfeste Schuhe, einen Helm oder Hörschutz, um das Risiko schwerer Körperverletzungen zu vermeiden.
- **Vermeiden Sie ein versehentliches Einschalten.** Vergewissern Sie sich, dass der Schalter auf "Aus" steht, bevor Sie den Stecker Ihres Geräts mit der Netzsteckdose verbinden. Zur Vermeidung von Unfallrisiken sollten Sie beim Transport Ihres Geräts den Finger niemals auf dem Ein-/Aus-Schalter halten oder das Gerät nicht anschließen, wenn der Schalter auf "Ein" steht.
- **Entfernen Sie die Spannschlüssel, bevor Sie Ihr Gerät einschalten.** Ein an einem mobilen Element des Geräts steckengebliebener Schlüssel kann schwere Körperverletzungen verursachen.
- **Achten Sie auf einen guten Stand und strecken Sie den Arm nicht zu weit aus.** Eine stabile Arbeitsposition trägt im Fall eines unerwarteten Zwischenfalls dazu bei, dass Sie Ihr Gerät besser kontrollieren können.
- **Tragen Sie geeignete Kleidung.** Tragen Sie keine weite Kleidung oder Schmuckstücke. Halten Sie Ihre Haare, Kleidung und Hände von den beweglichen Teilen fern. Weite Kleidungsstücke, Schmuckstücke und lange Haare können sich in den rotierenden Teilen verfangen.

ALLGEMEINE SICHERHEITSVORSCHRIFTEN

- Wenn Ihr Gerät mit einem Staubabsaug-/Staubsammlersystem geliefert wird, muss diese Vorrichtung korrekt installiert und verwendet werden. Dadurch vermeiden Sie die Verletzungsrisiken, die durch das Einatmen von schädlichem Staub auftreten können.

VERWENDUNG UND WARTUNG VON ELEKTRISCHEN GERÄTEN MIT KABEL

- **Überbeanspruchen Sie Ihr Gerät nicht. Verwenden Sie ein geeignetes Gerät für die von Ihnen durchzuführende Arbeit.** Ihr Gerät arbeitet effizienter und sicherer, wenn Sie es auf der Stufe verwenden, für die es konzipiert wurde.
- **Verwenden Sie ein elektrisches Gerät nicht, wenn der Ein-/Aus-Schalter defekt ist und das Gerät nicht ein- oder ausgeschaltet werden kann.** Ein Gerät, das nicht korrekt ein- und ausgeschaltet werden kann, stellt eine Gefährdung dar und muss repariert werden.
- **Ziehen Sie den Netzstecker Ihres Geräts ab, bevor Sie Einstellungen vornehmen, Zubehörteile auswechseln oder das Gerät aufräumen.** Dadurch vermeiden Sie das Risiko, dass Ihr Gerät unbeabsichtigt eingeschaltet wird.
- **Die Geräte müssen außerhalb der Reichweite von Kindern aufbewahrt werden.** Lassen Sie das Gerät niemals von Personen verwenden, die das Gerät nicht kennen oder die vorliegenden Sicherheitsvorschriften nicht gelesen haben. Die Benutzung von Geräten durch unerfahrene Personen ist gefährlich.
- **Warten Sie Ihr Gerät sorgfältig.** Kontrollieren Sie die Ausrichtung der beweglichen Teile. Vergewissern Sie sich, dass kein Geräteteil gebrochen ist. Kontrollieren Sie die Montage und alle anderen Elemente, die sich auf den Betrieb des Geräts auswirken können. Wenn Teile beschädigt sind, müssen Sie Ihr Gerät vor der Verwendung reparieren lassen. Zahlreiche Unfälle sind auf eine schlechte Wartung der Geräte zurückzuführen.
- **Achten Sie darauf, dass Ihre Geräte stets sauber und geschliffen sind.** Durch ein gut geschliffenes und sauberes Sägeblatt wird das Risiko einer Blockierung vermieden und eine einfachere Kontrolle Ihres Geräts gewährleistet.
- **Beachten Sie die vorliegenden Sicherheitsvorschriften bei der Verwendung Ihres Geräts, der Zubehörteile, der Einsätze usw. und berücksichtigen Sie dabei die spezifischen Merkmale Ihres Geräts, Ihres Arbeitsbereichs und der auszuführenden Arbeit.** Zur Vermeidung von gefährlichen Situationen dürfen Sie Ihr Gerät nur für die Arbeiten verwenden, für die es entwickelt wurde.

REPARATUREN

- **Reparaturen müssen von einem qualifizierten Techniker durchgeführt werden und es dürfen nur Original-Ersatzteile verwendet werden.** Dadurch wird gewährleistet, dass die Verwendung Ihres Geräts sicher ist.

SPEZIFISCHE SICHERHEITSVORSCHRIFTEN FÜR KREISSÄGEN

- **Halten Sie Ihre Hände vom Schnittbereich und vom Weg des Sägeblatts entfernt.** Die Hand, die nicht den Hauptgriff des Geräts hält, muss den Zusatzgriff halten oder auf dem Motorgehäuse aufliegen. Dadurch vermeiden Sie das Risiko, dass sich Ihre Hände im Schnittbereich auf dem Weg des Sägeblatts befinden.
- **Führen Sie Ihre Hände nicht unter dem Werkstück durch, denn die Sägeblattabdeckung deckt das Sägeblatt unter dem Werkstück nicht ab.**
- **Stellen Sie die Schnitttiefe entsprechend der Dicke des Werkstücks ein.** Die Zähne des Sägeblatts dürfen während dem Schnitt nicht vollständig unter dem Teil herausragen.
- **Halten Sie das Werkstück NIEMALS mit Ihrer Hand oder zwischen Ihren Beinen. Befestigen Sie es auf einer stabilen Stütze.** Das Werkstück muss korrekt befestigt werden, um Verletzungsrisiken zu vermeiden und zu verhindern, dass sich das Sägeblatt verbiegt oder Sie die Kontrolle über den Schnitt verlieren.
- **Halten Sie Ihr Gerät an den isolierten Stellen, wenn Sie in eine Fläche sägen, unter der sich elektrische Leitungen befinden können.** Bei einem Kontakt mit einem unter Spannung stehenden Kabel kann der Strom an die Metallteile übertragen werden und zu einem elektrischen Schlag führen.
- **Verwenden Sie bei der Ausführung eines parallelen Schnitts stets eine parallele Schnittführung oder eine gerade Leiste.** Dies verbessert die Schnittpräzision und verhindert ein Verbiegen des Sägeblatts.
- **Verwenden Sie stets Sägeblätter, deren Größe und Form der Spindelausbohrung entsprechen.** Sägeblätter, die nicht an die Spindel angepasst sind, an der sie montiert werden, laufen nicht korrekt und können zu einem Kontrollverlust führen.
- **Verwenden Sie niemals defekte oder nicht passende Sägeblattschrauben oder -scheiben.** Die Sägeblattscheiben wurden speziell für Ihr Sägemodell entwickelt, um eine optimale Sicherheit und Leistung zu gewährleisten.

SPEZIFISCHE SICHERHEITSVORSCHRIFTEN FÜR KREISSÄGEN

- **Vergewissern Sie sich vor jeder Verwendung, dass die untere Sägeblattabdeckung das Sägeblatt korrekt abdeckt.** Verwenden Sie Ihre Säge nicht, wenn die untere Sägeblattabdeckung nicht frei beweglich ist und wenn sie nicht sofort auf das Sägeblatt zurückklappt. Blockieren oder befestigen Sie die untere Sägeblattabdeckung niemals in geöffneter Position. Wenn die Säge versehentlich herunterfällt, kann sich die untere Sägeblattabdeckung verbiegen. Heben Sie die untere Sägeblattabdeckung mit dem Hebel an und vergewissern Sie sich, dass sie problemlos bewegt werden kann und bei jedem gewählten Schnittwinkel und jeder Schnitttiefe weder das Sägeblatt noch ein anderes Element berührt.
- **Vergewissern Sie sich, dass die Feder der unteren Sägeblattabdeckung in einwandfreiem Zustand ist und korrekt funktioniert.** Wenn die Sägeblatt-abdeckung oder die Feder nicht korrekt funktionieren, müssen Sie diese vor der Verwendung Ihrer Säge reparieren oder austauschen lassen. Die Bewegung der unteren Sägeblattabdeckung kann durch beschädigte Teile, eine Harzablagerung oder eine Ansammlung von Sägespänen behindert werden.
- **Die Sägeblattabdeckung darf manuell nur für bestimmte Sägeschnitte eingesetzt werden, vor allem beim Einstechsägen oder bei doppelten Sägeschnitten.** Heben Sie die untere Sägeblatt-abdeckung mit dem Hebel an. Sobald das Sägeblatt in das Werkstück eindringt, geben Sie die untere Sägeblattabdeckung dann wieder frei. Bei allen anderen Arten von Schnitten positioniert sich die untere Sägeblattabdeckung automatisch.
- **Prüfen Sie stets, dass die untere Sägeblattabdeckung das Sägeblatt einwandfrei abdeckt, bevor Sie Ihre Säge auf einem Werkstück oder auf dem Boden abstellen.** Wenn das Sägeblatt nicht korrekt abgedeckt ist, kann es sich im Leerlauf drehen und alle auf der Bahn befindlichen Elemente schneiden. Beachten Sie, dass das Sägeblatt nach dem Ausschalten des Motors erst nach einer bestimmten Nachlaufzeit vollständig zum Stillstand kommt.
- Verwenden Sie keine beschädigten oder verformten Sägeblätter.
- Verwenden Sie keine Sägeblätter aus Schnellstahl.
- Verwenden Sie keine anderen Sägeblätter, wenn diese nicht den in der Bedienungsanleitung aufgeführten Merkmalen entsprechen.
- Halten Sie das Sägeblatt nicht an, indem Sie seitlich auf die Sägeblattfläche drücken.
- Vergewissern Sie sich, dass die Sägeblattabdeckung frei beweglich ist und sich nicht verklemmt.

- Blockieren Sie die untere Sägeblattabdeckung nicht in geöffneter Position.
- Vergewissern Sie sich, dass der Mechanismus, der ein Zurückklappen der Sägeblattabdeckung ermöglicht, korrekt funktioniert.

SPEZIFISCHE SICHERHEITSVORSCHRIFTEN FÜR MIT EINEM FÜHRUNGSMESSER AUSGESTATTETEN KREISSÄGEN

- Verwenden Sie ein für den verwendeten Sägeblatttyp geeignetes Führungsmesser. Das Führungsmesser muss dicker als der Hauptteil des Sägeblatts, aber dünner als die Zahnung des Sägeblatts sein.
- Verwenden Sie das Führungsmesser gemäß den Anweisungen dieses Handbuchs. Wenn das Führungsmesser nicht korrekt positioniert oder ausgerichtet ist, können die Rückprallrisiken nicht effizient vermieden werden.
- Das Führungsmesser kann beim Einstechsägen ein Hindernis darstellen und Ursache für einen Rückprall sein.
- Das Führungsmesser ist korrekt positioniert, wenn es mit dem Werkstück in Kontakt ist. Das Führungsmesser ermöglicht es nicht, bei kurzen Schnitten einen Rückprall zu vermeiden.
- Verwenden Sie Ihre Säge nicht, wenn das Führungsmesser verdreht ist. Eine leichte Reibung an der unteren Sägeblattabdeckung genügt, um die Abwärtsbewegung zu behindern.

RÜCKPRALLURSACHEN

- Der Rückprall ist eine plötzliche Reaktion, die auftritt, wenn sich das Sägeblatt verklemmt, verdreht oder wenn es nicht ordnungsgemäß ausgerichtet ist: die Säge löst sich plötzlich vom Werkstück und wird heftig in Richtung des Bedieners geschleudert.
- Wenn sich das Sägeblatt im Holz verklemmt, blockiert das Sägeblatt und der weiterlaufende Motor schleudert die Säge in die Gegenrichtung der Rotation des Sägeblatts, d. h. in Richtung des Bedieners.
- Wenn sich das Sägeblatt verdreht oder wenn es falsch ausgerichtet ist, können die Zähne im hinteren Bereich des Sägeblatts in die Holzfläche eingedrückt werden und dies führt dazu, dass das Sägeblatt plötzlich aus dem Werkstück heraus in Richtung des Bedieners geschleudert wird.
- **Der Rückprall ist daher die Folge einer unsachgemäßen Verwendung des Geräts und/oder von falschen Schnittprozeduren oder -bedingungen. Durch die Beachtung einiger Vorsichtsmaßnahmen kann ein Rückprall vermieden werden.**

SPEZIFISCHE SICHERHEITSVORSCHRIFTEN FÜR KREISSÄGEN

RÜCKPRALLVERMEIDUNG

- **Halten Sie die Säge fest mit Ihren beiden Händen und positionieren Sie Ihre Arme so, dass sie einen eventuellen Rückprall kontrollieren können. Stellen Sie sich beim Arbeiten auf eine Seite der Säge und nicht in die Verlängerung des Sägeblattweges.** Der Rückprall schleudert die Säge plötzlich nach hinten, aber diese Bewegung kann kontrolliert werden, wenn der Bediener sie erwartet und darauf vorbereitet ist.
- **Wenn sich das Sägeblatt verklemmt oder wenn Sie den Schnitt unterbrechen müssen, geben Sie den Ein-/Aus-Schalter frei und halten die Säge im Werkstück, bis das Sägeblatt vollständig zum Stillstand kommt.** Versuchen Sie niemals, die Säge aus dem Werkstück zu entfernen oder die Säge nach hinten zu ziehen, während das Sägeblatt rotiert, denn dies kann zu einem Rückprall führen. Wenn sich das Sägeblatt verklemmt, ermitteln Sie die Ursache und ergreifen Sie die erforderlichen Maßnahmen, damit sich dieser Vorfall nicht wiederholen kann.
- **Bevor Sie die Säge wieder einschalten, um den Schnitt fortzusetzen, richten Sie das Sägeblatt korrekt mit der Sägemarkierung aus und vergewissern Sie sich, dass die Zähne das Werkstück nicht berühren.** Wenn das Sägeblatt im Werkstück verklemmt ist, kann beim Einschalten der Säge ein Rückprall auftreten.
- **Stützen Sie lange Werkstücke ab, um zu vermeiden, dass sich das Sägeblatt verklemmt und ein Rückprallrisiko auftritt.** Lange Werkstücke neigen dazu, auf Grund ihres eigenen Gewichts durchzuhängen. Sie können an beiden Seiten des Werkstücks in der Nähe der Sägemarkierung und im Bereich der Enden des Werkstücks Stützen verwenden.
- **Verwenden Sie keine stumpfen oder beschädigten Sägeblätter.** Stumpfe oder nicht ordnungsgemäß montierte Sägeblätter erzeugen einen feinen Sägeschnitt, der zu einer übermäßigen Reibung des Sägeblatts und daher zu höheren Verdrehungs- und Rückprallrisiken führt.
- **Prüfen Sie vor Beginn eines Schnitts, dass die Knöpfe zur Einstellung der Tiefe und Neigung ordnungsgemäß gesperrt sind.** Wenn sich die Einstellungen der Sägeblattposition im Verlauf des Schnitts ändern, kann das Sägeblatt verklemmen und einen Rückprall verursachen.
- **Gehen Sie bei der Durchführung von Einstechnitten in Wände oder andere Blindflächen besonders vorsichtig vor.** Das Sägeblatt kann auf verborgene Elemente aufstoßen und dies kann zu einem Rückprall führen.

BESCHREIBUNG

1. Spindelverriegelungsknopf
2. Sägeblattschraube
3. Bedienungsschlüssel
4. Äußere Sägeblattscheibe
5. Unterer Sägeblattschutz
6. Hebel des unteren Sägeblattschutzes
7. Oberer Sägeblattschutz
8. Sägeblatt
9. Innere Sägeblattscheibe
10. Staubabsaugdüse
11. Führungsmesser
12. Sperrknopf für Schnitttiefe
13. Basisplatte
14. Schnitttiefe
15. Schnitttiefenskala
16. Neigungseinstellungsknopf
17. Neigungsskala
18. Ein-/Aus-Schalter
19. Sicherheitsknopf
20. Führungskerbe
21. Lasche für Einstellung der Schnitttiefe

PRODUKTDATEN

WS-6613 / WS-6615 / WS-6615X

Durchmesser des Sägeblattes	190 mm
<i>(Verwenden Sie nur Sägeblätter mit diesem Durchmesser)</i>	
Zylinderdurchmesser	30 mm
Max. Dicke der Sägeblattfläche	2,2 mm
Max. Schnittleistung	
bei 0 Grad	66 mm
bei 45 Grad	50 mm
Frequenz	50Hz
Spannung	110 V, 230 V
Leistungsaufnahme	
WS-6613	1300 W
WS-6615 / WS-6615X	1500 W
Leerlaufdrehzahl	
WS-6613	4600/Min.
WS-6615 / WS-6615X	5500/Min.
Nettogewicht	
WS-6613 / WS-6615X	5,1 kg
WS-6615	5,3 kg

STANDARDZUBEHÖR

Sägeblatt, Staubabsaugdüse, Bedienungsschlüssel.

ANWENDUNG

Schneiden von Holz.

LÄRMBELASTUNG

Der Lärm (oder Schalldruckpegel) am Arbeitsplatz kann über 85 dB liegen. In diesem Fall sind Schallschutz- und Gehörschutzmaßnahmen für den Bediener erforderlich.

MONTAGE

ZIEHEN SIE STETS DEN NETZSTECKER AB, BEVOR SIE DAS SÄGEBLATT MONTIEREN ODER ENTFERNEN. ACHTEN SIE DARAUF, DASS DIE ZÄHNE DES SÄGEBLATTES IM VORDEREN BEREICH DES GERÄTS NACH OBEN ZEIGEN.

EINSETZEN UND ENTFERNEN DES SÄGEBLATTES (ABBILDUNGEN 2, 3, 4 UND 5).

EINSETZEN

1. Drücken Sie auf den Sperrknopf der Spindel (1), drehen Sie die Sägeblattschraube (2) mit einem Bedienungsschlüssel (3), bis die Spindel blockiert. (Abb. 2)
2. Lösen Sie die Sägeblattschraube, indem Sie den Schlüssel nach links drehen während Sie auf den Spindelsperrknopf drücken. (Abb. 2)
3. Entfernen Sie die Sägeblattschraube und die äußere Sägeblattscheibe (4). (Abb. 2)
4. Heben Sie den unteren Sägeblattschutz (5) mit Hilfe seines Hebels (6) vollständig bis unter den oberen Sägeblattschutz an (7). (Abb. 3)
5. Montieren Sie dann das Sägeblatt (8) an der inneren Sägeblattscheibe (9), die sich an der Antriebsspindel befindet. Montieren Sie anschließend die äußere Sägeblattscheibe und die Sägeblattschraube. (Abb. 3 und 4)
6. Drücken Sie erneut auf den Sperrknopf der Spindel und ziehen Sie die Sägeblattschraube an, indem Sie den Schlüssel nach rechts drehen während Sie auf den Knopf drücken. (Abb. 5)
7. Nachdem das Sägeblatt angezogen ist, geben Sie den Spindelsperrknopf frei.

ENTFERNEN

1. Drücken Sie auf den Sperrknopf der Spindel, drehen Sie die Sägeblattschraube mit dem Bedienungsschlüssel, bis die Spindel blockiert.
2. Lösen Sie die Sägeblattschraube, indem Sie den Schlüssel nach links drehen während Sie auf den Spindelsperrknopf drücken.
3. Entfernen Sie die Sägeblattschraube und die äußere Sägeblattscheibe.
4. Heben Sie den unteren Sägeblattschutz vollständig bis unter den oberen Sägeblattschutz an und entfernen Sie das Sägeblatt.

EINSTELLUNG DES FÜHRUNGSMESSERS (ABB. 6)



WARNUNG

Verwenden Sie keine Sägeblätter, die breiter sind oder eine kleinere Zahnung haben, als die Breite des Führungsmessers.

1. Vergewissern Sie sich, dass das Führungsmesser folgendermaßen eingestellt ist (Abb. 6):
 - A. Die Distanz zwischen dem Führungsmesser (11) und der Sägeblattzahnung muss unter 5 mm liegen.
 - B. Die Zahnung darf nicht mehr als 5 mm über den unteren Rand des Führungsmessers hinausgehen.
2. Das Führungsmesser muss immer verwendet werden, außer wenn Sie einen Einstechschnitt in der Mitte des Werkstücks durchführen.

EINSTELLUNG DER SCHNITTIEFE

(ABB. 7A, B, 8, 9)

1. Lösen Sie zur Einstellung der Schnitttiefe den Sperrknopf für die Schnitttiefe (12). (Abb. 7A)
2. Schieben Sie die Basisplatte (13) mit Hilfe der Lasche für Schnitttiefeinstellung (21) auf die gewünschte Tiefe und ziehen Sie den Knopf fest an. (Abb. 7B)
3. Die Schnitttiefe (14) kann an Hand der Tiefenskala (15) oder durch Messen des Abstands, um den das Sägeblatt über die Basisplatte herausragt, bestimmt werden. (Abb. 8 und 9)

EINSTELLUNG DES SCHNITTWINKELS

(ABB. 10A, B)

1. Der Schnittwinkel kann in jeder beliebigen Position zwischen 0° und 45° eingestellt werden. (Abb. 10A)
2. Lösen Sie den Neigungseinstellknopf (16) an der Vorderseite des Geräts und positionieren Sie die Basisplatte mit Hilfe der Neigungsskala im gewünschten Winkel (17). (Abb. 10B)
3. Nach Einstellung des Winkels, müssen Sie den Neigungseinstellknopf gut festziehen.

EIN-/AUS-SCHALTER (ABB. 11)

Zum Ein- oder Ausschalten des Geräts drücken Sie auf den Ein-/Aus-Schalter (18). Um ein unbeabsichtigtes Einschalten des Geräts zu vermeiden, funktioniert dieser Schalter nur, wenn der Sicherheitsknopf (19) gedrückt ist. Der Sicherheitsknopf kann mit dem Daumen gedrückt werden, so dass die anderen Finger zum Drücken des Ein-/Aus-Schalters frei bleiben. Es ist nicht erforderlich, den Sicherheitsknopf weiterhin eingedrückt zu halten, nachdem Sie auf den Ein-/Aus-Schalter gedrückt haben.

VERWENDUNG (ABB. 12)**GEFAHR:**

BRINGEN SIE IHRE HÄNDE NICHT IN DIE NÄHE DES SCHNITTBEREICHS WÄHREND DAS GERÄT IN BETRIEB IST. HALTEN SIE DAS STROMKABEL VOM SCHNITTBEREICH FERN UND VERLEGEN SIE ES SO, DASS ES WÄHREND DES SÄGENS NICHT IM WERKSTÜCK VERKLEMMT WERDEN KANN.

Drücken und schieben Sie die Säge während der Arbeiten gleichmäßig (**ÜBEN SIE KEINEN ZU GROSSEN DRUCK AUS**), um einen gleichmäßigen Schnitt zu erzielen. Die Schnittgeschwindigkeit muss dem Werkstück entsprechen. (Schneiden Sie langsam, wenn das Werkstück hart ist.) Prüfen Sie das Sägeblatt häufig und ersetzen oder schärfen Sie es, wenn es stumpf ist, um eine Überlastung des Motors zu vermeiden.

ZUM SÄGEN (Abb. 13 A, B)

Wenn Sie mit senkrecht gehaltenem Sägeblatt arbeiten, verwenden Sie den Punkt "A" der Führungskerbe der Basisplatte (20) und folgen mit Ihrer Säge der Führungslinie, die Sie mit einem Bleistift vorgezeichnet haben. Wenn Sie im Winkel von 45° sägen, verwenden Sie den Punkt "B". Diese Führungskerbe zeigt den ungefähren Verlauf der Schnittlinie an. Führen Sie einen Testschnitt in ein Holzabfallstück durch, um die tatsächliche Schnittlinie zu ermitteln.

**VORSICHT**

Wenn Sie eine Parallelführung verwenden, darf diese den Rand des Werkstücks nur leicht berühren. Drücken Sie nicht zu fest.

WARTUNG

Vergewissern Sie sich nach der Verwendung, dass Ihr Gerät in einwandfreiem Zustand ist. Es empfiehlt sich, Ihr Gerät mindestens einmal pro Jahr zu einem autorisierten Ryobi-Kundendienst zu bringen, um es komplett zu schmieren und zu reinigen.

NEHMEN SIE KEINE EINSTELLUNG VOR, WÄHREND DER MOTOR IN BETRIEB IST. ACHTEN SIE DARAUF, DAS STROMKABEL STETS ZU ENTFERNEN, BEVOR SIE DIE ZUBEHÖRTEILE ODER DIE VERSCHLEISSTEILE AUSWECHSELN (SÄGEBLATT, ANSATZSTÜCK, GLASPAPIER USW.) UND BEVOR SIE DAS GERÄT SCHMIEREN ODER HANDHABEN. VERGEWISSERN SIE SICH, DASS DIE GRIFFE SAUBER SIND (FREI VON ÖL UND FETT).

**WARNUNG**

Für eine höhere Sicherheit und Zuverlässigkeit müssen alle Reparaturen von einem autorisierten Ryobi-Kundendienst durchgeführt werden.

BEWAHREN SIE DIESE ANWEISUNGEN AUF, UM SIE SPÄTER HERANZIEHEN ZU KÖNNEN.

GARANTIEHINWEIS

Für alle Ryobi-Produkte gilt eine Garantie gegen Material- und Verarbeitungsfehler für einen Zeitraum von vierundzwanzig (24) Monaten ab dem Datum der vom Wiederverkäufer für den Endbenutzer ausgestellten Originalrechnung.

Fehler, die auf Grund einer normalen Abnutzung, einer unberechtigten oder falschen Wartung oder Handhabung oder durch eine Überbelastung auftreten, sind von der Garantie ausgeschlossen. Dies gilt auch für Zubehörteile wie Batterien, Glühlampen, Sägeblätter, Ansatzstücke, Beutel usw.

Senden Sie das Produkt im Fall eines Defekts innerhalb des Garantiezeitraumes in **NICHT ZERLEGTEM** Zustand zusammen mit dem Kaufnachweis an Ihren Händler oder Ihr nächstes Ryobi-Kundendienstzentrum zurück.

Diese Garantie hat keine Auswirkungen auf Ihre gesetzlichen Rechte in Bezug auf fehlerhafte Produkte.

UMWELTSCHUTZ

Rohstoffe dürfen nicht in den Abfall geworfen werden, sondern müssen dem Recyclingsystem zugeführt werden. Trennen Sie Ihre Abfälle und entsorgen Sie abgenutzte Geräte, Zubehör und Verpackungen über die entsprechenden Recycling-Container.

ALGEMENE VEILIGHEIDSVOORSCHRIFTEN



WAARSCHUWING

Lees alle voorschriften. Het niet in acht nemen van de hierna vermelde voorschriften kan ongelukken, zoals brand, elektrische schokken en/of ernstig lichamenlijk letsel veroorzaken. Met de in onderstaande veiligheidsvoorschriften gebruikte termen "elektrisch apparaat" of "elektrisch gereedschap" worden alle elektrische apparaten bedoeld, zowel de apparaten met een netsnoer als de apparaten met een accupak.

BEWAAR DEZE VOORSCHRIFTEN ZORGVULDIG.

WERKOMGEVING

- **Zorg dat uw werkrumte opgeruimd en goed verlicht is.** Rommelige en donkere werkplekken werken ongelukken in de hand.
- **Gebruik elektrisch gereedschap nooit in een explosieve atmosfeer, zoals in de buurt van ontvlambare vloeistoffen, gassen of stofdeeltjes.** Door de vonken van elektrisch gereedschap kunnen deze in brand raken of ontploffen.
- **Houd kinderen en omstanders op afstand als u een elektrisch apparaat gebruikt.** Zij zouden u kunnen afleiden, waardoor u de macht over het gereedschap verliest.

ELEKTRISCHE VEILIGHEID

- **De stekker van het elektrische apparaat moet geschikt zijn voor het stopcontact.** Ga niet aan de stekker knoeien. Gebruik nooit een verloopstekker met elektrische apparaten met aardaansluiting. Zo loopt u geen kans op elektrische schokken.
- **Voorkom aanraking van gearde oppervlakken (bijv. buizen, radiatoren, fornuizen, koelkasten, enz.).** Het gevaar voor elektrische schokken wordt groter als een deel van uw lichaam in aanraking is met een geaard oppervlak.
- **Stel een elektrisch apparaat niet bloot aan regen of vochtigheid.** Het gevaar voor elektrische schokken wordt groter als er water binnentreedt in een elektrisch apparaat.
- **Houd het netsnoer in goede staat.** Til uw apparaat nooit op aan het netsnoer en probeer niet om de stekker uit het stopcontact te halen door aan het snoer te trekken. Houd het snoer uit de buurt van warmtebronnen, olie, snijdende voorwerpen en bewegende onderdelen. Het gevaar voor elektrische schokken wordt groter als het netsnoer beschadigd is of in de knoop zit.
- **Bij gebruik buitenshuis moeten de verlengsnoeren geschikt zijn voor een dergelijk gebruik.** Zo loopt u geen kans op elektrische schokken.

PERSOONLIJKE VEILIGHEID

- **Blijf attent, kijk goed naar wat u doet en gebruik uw gezonde verstand als u een elektrisch apparaat gebruikt.** Gebruik het elektrische apparaat niet wanneer u vermoeid bent of onder invloed bent van drank of drugs, of wanneer u medicijnen gebruikt. Vergeet niet dat één seconde onoplettendheid voldoende is om ernstig letsel te veroorzaken.
- **Draag de voorgeschreven veiligheidsuitrusting. Bescherm altijd uw ogen.** Afhankelijk van de omstandigheden dient u ook een stofmasker, schoenen met antislipzolen, een veiligheidshelm of gehoorbeschermers te dragen om het risico van ernstig lichamenlijk letsel te vermijden.
- **Zorg dat het apparaat niet ongewild in werking kan treden.** Zorg dat de schakelaar op UIT staat voordat u het apparaat op de stroom aansluit. Verplaats uw apparaat nooit terwijl u uw vinger op de schakelaar hebt of steek de stekker niet in het stopcontact als de schakelaar op AAN staat om ongelukken te voorkomen.
- **Verwijder de stelsleutels voordat u het apparaat in werking zet.** Een achtergebleven stelsleutel die aan een bewegend onderdeel vastzit, kan ernstig lichamenlijk letsel veroorzaken.
- **Ga altijd stevig op uw benen staan en reik niet te ver weg met uw arm.** Door een stabiele werkhouding bent u beter in staat om uw gereedschap in bedwang te houden als er iets onverwachts gebeurt.
- **Draag geschikte kleding.** Draag geen wijde kleding of sieraden. Houd uw haren, kleding en handen uit de buurt van de bewegende delen. Wijde kleding, sieraden of lange haren kunnen beklemd raken in de bewegende delen.
- **Als uw machine samen met een stofzuigsysteem is geleverd, zorg er dan voor dat dit goed is geïnstalleerd en ook wordt gebruikt.** Zo voorkomt u lichamenlijk letsel door inademing van schadelijke stofdeeltjes.

GEbruik EN ONDERHOUD VAN APPARATEN MET NETSNOER

- **Forceer het apparaat niet.** Gebruik een apparaat dat geschikt is voor het werk dat u gaat doen. Uw elektrisch apparaat zal veiliger en zekerder werken als u het gebruikt op het toerental waarvoor het berekend is.
- **Gebruik een elektrisch apparaat niet als u het niet meer met de schakelaar aan en uit kunt zetten.** Een apparaat dat niet normaal meer aan en uitgezet kan worden is gevaarlijk en moet absoluut worden gerepareerd.
- **Trek de stekker van het apparaat uit het stopcontact voordat u instellingen wijzigt, accessoires verwisselt of het apparaat opbergt.** Zo verkleint u het risico dat het apparaat ongewild in werking treedt.

ALGEMENE EILIGHEIDSVOORSCHRIFTEN

- **Gereedschap moet altijd buiten bereik van kinderen worden opgeborgen.** Laat het apparaat niet gebruiken door personen die het apparaat niet kennen of geen kennis hebben genomen van deze veiligheidsvoorschriften. Gereedschap is gevaarlijk in de handen van onervaren personen.
- **Houd uw apparaten in goede staat van werking.** Controleer de uitlijning van de bewegende delen. Kijk of er geen onderdelen gebroken zijn. Controleer de montage en alle andere elementen die de goede werking van het gereedschap kunnen beïnvloeden. Als er iets beschadigd is, dient u uw apparaat eerst te laten herstellen voordat u het weer gebruikt. Ongelukken zijn vaak te wijten aan de slechte staat van onderhoud van het gereedschap.
- **Houd uw gereedschap altijd scherp en schoon.** Als het mes van uw snijgereedschap goed scherp en schoon is, bestaat er minder kans dat het geblokkeerd raakt en kunt u uw apparaat beter in uw macht houden.
- **Neem deze veiligheidsvoorschriften in acht als u het apparaat, de accessoires, de hulpstukken, enz. gebruikt en houd daarbij rekening met de bijzondere eigenschappen van uw apparaat, de plek waar u werkt en het soort werk dat u doet.** Gebruik uw elektrisch apparaat uitsluitend voor de toepassingen waarvoor het bestemd is om gevaarlijke situaties te vermijden.

REPARATIES

- **Eventuele reparaties moeten door een geschoolde vakman worden uitgevoerd en uitsluitend met gebruik van originele reservedelen.** Zo kunt u uw elektrisch apparaat veilig gebruiken.

SPECIEFIEKE VEILIGHEIDSVOORSCHRIFTEN VOOR CIRKELZAGEN

- **Houd uw handen uit de buurt van de zaagzone en van het zaagblad.** De hand waarmee u niet de hoofdhandgreep vasthoudt moet de hulphandgreep vasthouden of op de motorombouw rusten. Op die manier loopt u niet het gevaar dat uw handen in zaagzone in het zaagblad komen.
- **Ga niet met uw handen langs de onderkant van het werkstuk want de beschermkap bedekt niet het werkstuk aan de onderkant van het werkstuk.**
- **Stel de zaagdiepte af al naar gelang de dikte van het werkstuk.** De tanden van het zaagblad mogen niet geheel onder het werkstuk uitkomen tijdens het zagen.
- **Houd het werkstuk NOOIT met uw hand of tussen uw benen vast.** Maak het vast op een stabiele ondergrond. Het is uiterst belangrijk dat het werkstuk goed is vastgemaakt om geen verwondingen op te lopen en het zaagblad niet te verbuigen of de macht over het zagen te verliezen.
- **Houd het apparaat aan geïsoleerde delen vast als u in een oppervlak zaagt waarin zich eventueel elektrische leidingen kunnen bevinden.** Door aanraking met onder stroom staande draden kunnen de metalen delen stroom gaan voeren en een elektrische schok veroorzaken.
- **Gebruik altijd een parallelgeleider of een rechte lat bij het schulpen.** Zo werkt u veel nauwkeuriger en voorkomt u dat het zaagblad wordt verbogen.
- **Gebruik altijd zaagbladen die qua grootte en vorm geschikt zijn voor de dikte van de as.** Zaagbladen die niet geschikt zijn voor de as waarop ze moeten worden gemonteerd zullen niet op de juiste manier ronddraaien en u de macht over het apparaat doen verliezen.
- **Gebruik nooit schroeven of flenzen van defecte of verkeerde zaagbladen.** De flenzen en de zaagbladschroeven zijn speciaal bedoeld voor uw type zaagmachine en verschaffen optimale zekerheid en prestaties.
- **Controleer steeds of de onderste zaagbladbeschermkap wel goed het zaagblad bedekt voordat u het apparaat gebruikt.** Gebruik de zaagmachine niet als de onderste zaagbladbeschermkap niet vrij kan worden bewogen en als het niet onmiddellijk over het zaagblad terugklapt. Blokkeer of bevestig de onderste zaagbladbeschermkap nooit in de geopende stand. Als de zaagmachine per ongeluk valt, zou de onderste zaagbladbeschermkap verbogen kunnen worden. Zet de onderste zaagbladbeschermkap met behulp van de knop omhoog en controleer of de kap zonder moeite kan worden bewogen en nooit met het zaagblad of enig ander onderdeel in aanraking komt, ongeacht de zaaghoek of de zaagdiepte.
- **Controleer of de veer van onderste zaagbladbeschermkap in goede staat verkeert en naar behoren werkt.** Als de onderste zaagbladbeschermkap of de veer niet goed werken, dient u deze te laten repareren of te vervangen voordat u de zaagmachine gaat gebruiken. De vrije beweging van de onderste zaagbladbeschermkap kan worden gehinderd door beschadigde onderdelen, afgezette hars of opgehoopt zaagsel.
- **De beschermkap mag alleen voor bijzondere zaagsneden handmatig open worden gehouden, zoals bij het laten indalen van het zaagblad of bij schuinverstekzagen.** Zet de onderste beschermkap omhoog aan de knop. Daarna dient u de onderste zaagbladbeschermkap meteen los te laten zodra het zaagblad in het werkstuk dringt. Voor alle andere typen zaagsneden regelt de onderste zaagbladbeschermkap zich zelf automatisch.

SPECIFIEKE VEILIGHEIDSVOORSCHRIFTEN VOOR CIRKELZAGEN

- **Controleer of de onderste zaagbladbeschermer wel goed over het zaagblad zit voordat u de zaagmachine op een werkbank of op de grond zet.** Als het zaagblad niet goed is afgedekt, kan het door inertie door blijven draaien en dat wat zich in zijn baan bevindt doorzagen. Wees u steeds bewust van de tijd die nodig is voordat het zaagblad tot stilstand komt nadat u de motor hebt uitgezet.
- Gebruik geen vervormde of beschadigde zaagbladen.
- Gebruik geen zaagbladen van snelstaal (HS).
- Gebruik geen zaagbladen waarvan de technische gegevens niet overeenstemmen met die welke in deze handleiding zijn aangegeven.
- Probeer het zaagblad niet te stoppen door tegen de zijkant van het blad te drukken.
- Controleer of de beweegbare beschermkappen vrij kunnen bewegen zonder te klemmen.
- Blokkeer de onderste zaagbladbeschermer in de geopende stand.
- Controleer of het mechanisme dat er voor zorgt dat de beschermer terugklapt goed werkt.

SPECIFIEKE VEILIGHEIDSVOORSCHRIFTEN VOOR CIRKELZAGEN UITGERUST MET EEN SPOUWMES

- Gebruik een spouwmes dat geschikt is voor het gebruikte zaagblad. Het spouwmes moet dikker zijn dan de dikte van het zaagblad maar dunner dan de vertanding van het zaagblad.
- Gebruik het spouwmes volgens de aanwijzingen van deze handleiding. Als het spouwmes niet goed geplaatst of uitgelijnd is, kan het niet op doelmatige wijze terugslagen voorkomen.
- Het spouwmes kan een obstakel zijn als u de zaag langzaam wilt laten indalen en de oorzaak zijn van een terugslag.
- Het spouwmes is goed geplaatst als het in aanraking komt met het werkstuk. Het spouwmes kan geen terugslagen voorkomen bij afkorten.
- Gebruik de zaagmachine niet als het spouwmes verbogen is. Het mes hoeft slechts licht tegen de onderste beschermer te komen om te verhinderen dat de kap omlaag kan klappen.

OORZAKEN VAN TERUGSLAGEN

- Een terugslag is een plotselinge reactie die optreedt als het zaagblad zich vastklemt, zich verbuigt of als het verkeerd is uitgelijnd: de zaagmachine komt plotseling los uit het werkstuk en slaat met geweld terug in de richting van de gebruiker.
- Als het zaagblad zich vastklemt in het hout, komt het blad tot stilstand en de motor, die door blijft draaien, werpt de zaagmachine in de tegenover-

gestelde richting van de draairichting van het zaagblad, dat wil zeggen naar de gebruiker toe.

- Als het zaagblad verbogen raakt of verkeerd is uitgelijnd, bestaat het gevaar dat de tanden die zich aan de andere kant van het zaagblad bevinden, zich in het houtoppervlak drukken, wat het zaagblad plotseling uit het werkstuk doen springen in de richting van de gebruiker.
- **Een terugslag is dus het gevolg van een verkeerd gebruik van het apparaat en/of van onjuiste zaagprocedures of -omstandigheden. Door een aantal voorzorgsmaatregelen te nemen kan een terugslag vermeden worden.**

TERUGSLAGEN VERMIJDEN

- **Houd de zaagmachine stevig met uw twee handen vast en plaats uw armen zo dat ze een eventuele terugslag kunnen opvangen.** Ga altijd aan één kant van het zaagblad staan als u met de zaagmachine werkt, nooit in het verlengde van het zaagblad. Een terugslag werpt de zaagmachine plotseling naar achteren, maar deze beweging kan worden opgevangen als de gebruiker daarop bedacht is en zich daarop voorbereidt.
- **Als de zaag vastloopt of als u het zagen om de één of andere reden wilt onderbreken, laat u de drukschakelaar los en houd u de zaagmachine net zolang in het werkstuk tot het blad geheel tot stilstand is gekomen.** Probeer nooit om de zaag uit het werkstuk te halen of de zaag naar achteren te trekken zolang het zaagblad nog draait: dit kan namelijk een terugslag tot gevolg hebben. Als het zaagblad zich vastklemt, moet u de oorzaak daarvan opzoeken en de nodige maatregelen nemen om te voorkomen dat het weer gebeurt.
- **Voordat u de zaag opnieuw aanzet om het zagen te hervatten, dient u het zaagblad goed uit te lijnen met de zaagsnede en te controleren of de tanden niet in aanraking zijn met het werkstuk.** Als het zaagblad vastgeklemd zit in het werkstuk, bestaat het gevaar dat er een terugslag optreedt zodra u de zaagmachine aanzet.
- **Ondersteun lange werkstukken om te voorkomen dat het zaagblad vast komt te zitten en om op die manier het gevaar van terugslag te vermijden.** Lange werkstukken hebben de neiging om onder hun eigen gewicht door te buigen. U kunt aan de twee kanten van het werkstuk voor ondersteuning zorgen, dichtbij de zaaglijn en aan het uiteinde van het werkstuk.
- **Gebruik geen bot geworden of beschadigde zaagbladen.** Onscherpe of verkeerd gemonteerde zaagbladen veroorzaken een dunne snede die een buitengewone wrijving van het zaagblad met zich meebrengt en dus een groter gevaar oplevert voor verbuigen en terugslag.

SPECIFIEKE VEILIGHEIDSVORSCHRIFTEN VOOR CIRKELZAGEN

- **Controleer of de instelknoppen voor zaagdiepte en afschuinhoek goed geblokkeerd zijn voordat u begint met zagen.** Als de afstellingen van het zaagblad zich tijdens het zagen veranderen, bestaat de kans dat het zaagblad zich vastklemt en dat er een terugslag optreedt.
- **Wees bijzonder voorzichtig als u zaagsneden uitvoert door het zaagblad te laten indalen in muren of andere onzekere oppervlakken.** Het zaagblad zou in aanraking kunnen komen met verborgen elementen met kans op een terugslag.

OVERZICHT

1. Asvergrendeling
2. Zaagbladschroef
3. Platte sleutel
4. Buitenflens van het zaagblad
5. Onderste beschermkap
6. Hendel van de onderste beschermkap
7. Bovenste beschermkap
8. Zaagblad
9. Binnenflens van het zaagblad
10. Stofafzuigmondstuk
11. Spouwmes
12. Blokkeerknop van de zaagdiepteafstelling
13. Voetplaat
14. Zaagdiepte
15. Schaalverdeling
16. Instelknop voor de afschuinhoek
17. Afschuinschaalverdeling
18. Schakelaar
19. Ontgrendelknop
20. Geleider-inkeping
21. Instelbeugel van de zaagdiepte

PRODUCTGEGEVENS

WS-6613 / WS-6615 / WS-6615X

Doorsnede van het zaagblad	190 mm
<i>(gebruik uitsluitend zaagbladen met deze diameter)</i>	
Asgat	30 mm
Maximumdikte van het zaagblad	2,2 mm
Max. zaagdiepte	
onder 0°	66 mm
onder 45°	50 mm
Frequentie	50Hz
Spanning	110 V, 230 V AC
Opgenomen vermogen	
WS-6613	1300 W
WS-6615 / WS-6615X	1500 W
Aantal toeren bij nullast	
WS-6613	4 600 tpm
WS-6615 / WS-6615X	5 500 tpm
Nettogewicht	
WS-6613 / WS-6615X	5,1 kg
WS-6615	5,3 kg

STANDAARD ACCESSOIRES

Zaagblad, stofafzuigmondstuk, moersleutel.

TOEPASSING

Zagen van hout.

GELUIDSDRUK

Het niveau van de geluidsdruk op de werkplek kan de 85 dB overschrijden. In dat geval moet de gebruiker de nodige voorzieningen treffen op het gebied van geluidsisolatie en gehoorbescherming.

MONTAGE

TREK DE STEKKER UIT HET STOPCONTACT VOORDAT U HET ZAAGBLAD GAAT INZETTEN OF VERWIJDEREN. ZORG ERVOOR DAT DE TANDEN VAN HET ZAAGBLAD NAAR BOVEN WIJZEN AAN DE VOORKANT VAN DE MACHINE.

HET ZAAGBLAD INZETTEN EN VERWIJDEREN (AFB. 2, 3, 4 EN 5)

INZETTEN

1. Druk op de asvergrendeling (1) en verdraai de zaagbladschroef (2) met behulp van de bijgeleverde moersleutel (3) zover totdat de as zich blokkeert. (afb. 2)
2. Draai nu de zaagbladschoef linksom helemaal los, terwijl u de asvergrendeling steeds ingedrukt houdt. (afb. 2)
3. Verwijder de zaagbladschroef en de buitenflens (4). (afb. 2)
4. Klap de onderste beschermkap (5) helemaal omhoog met behulp van de bijbehorende hendel (6) onder de bovenste beschermkap (7). (afb. 3)
5. Plaats vervolgens het zaagblad (8) tegen de binnenflens (9) op de zaagas. Monteer daarna de buitenflens en de schroef op de zaagas. (afb. 3 en 4)
6. Druk opnieuw de asvergrendeling in, draai de zaagbladschroef vast door rechtsom draaien met de sleutel en houd daarbij de vergrendeling ingedrukt. (afb. 5)
7. Nadat u de zaagbladschroef hebt vastgezet, kunt u de asvergrendeling loslaten.

VERWIJDEREN

1. Druk op de asvergrendeling en verdraai de zaagbladschroef met behulp van de bijgeleverde moersleutel zover totdat de as zich blokkeert.
2. Draai nu de zaagbladschoef linksom helemaal los, terwijl u de asvergrendeling steeds ingedrukt houdt.
3. Verwijder de zaagbladschroef en de buitenflens.
4. Klap de onderste beschermkap helemaal omhoog onder de bovenste beschermkap en verwijder vervolgens het zaagblad.

HET SPOUWMES INSTELLEN (AFB. 6)**WAARSCHUWING!**

Gebruik geen zaagbladen die dikker zijn of waarvan de tanden smaller zijn dan de dikte van het spouwmes.

- Controleer of het spouwmes zo is ingesteld dat (afb. 6):
 - afstand tussen het spouwmes en de tanden van het zaagblad kleiner is dan 5 mm,
 - de zaagtanden niet meer dan 5 mm voorbij de onderkant van het spouwmes uitsteken.
- Het spouwmes moet altijd gebruikt worden, behalve als u de zaag wilt laten indalen midden in een werkstuk.

DE ZAAGDIEPTE INSTELLEN (AFB. 7A, 7B, 8 EN 9)

- Draai de blokkeerknop van de zaagdiepte-afstelling (12) eerst los om de zaagdiepte te kunnen instellen. (afb. 7A)
- Verschuif de voetplaat (13) met behulp van de instelbeugel (21) tot de gewenste zaagdiepte en draai daarna de blokkeerknop stevig aan. (afb. 7B)
- De zaagdiepte (14) kan worden bepaald door aflezing op de diepteschaalverdeling (15) of door op te meten hoeveel de het zaagblad onder de voetplaat uitsteekt. (afb. 8 en 9)

DE ZAAGHOEK INSTELLEN (AFB. 10A EN 10B)

- De zaaghoek kan op elke gewenste hoek tussen 0° en 45° worden ingesteld. (afb. 10A)
- Zet de instelknop voor de afschuinhoek (16) voorop de machine los en plaats de voetplaat onder de gewenste afschuinhoek met behulp van de afschuinschaalverdeling (17). (afb. 10B)
- Zet de instelknop voor de afschuinhoek weer stevig vast nadat u de juiste hoek hebt ingesteld.

SCHAKELAAR (AFB. 11)

Door indrukken of loslaten van de schakelaar (18) kunt u deze machine aan- of uitzetten. Om te voorkomen dat de machine ongewild in werking treedt, werkt de schakelaar alleen als de ontgrendelknop (19) is ingedrukt. De ontgrendelknop kan worden ingedrukt met de duim: de schakelaar kan daarom worden bediend met de andere vingers. U kunt ontgrendelknop loslaten als u eenmaal de schakelaar hebt ingedrukt.

GEBRUIK (AFB. 12)**GEVAAR!**

HOUD UW HANDEN UIT DE BUURT VAN DE ZAAGZONE ALS DE ZAAG AANSTAAT. HOUD HET NETSNOER UIT DE BUURT VAN DE ZAAGZONE EN LEG HET ZO DAT HET NIET KAN WORDEN MEEGETROKKEN DOOR HET WERKSTUK TIJDENS HET ZAGEN. Druk tijdens het zagen steeds stevig en gelijkmatig op de zaag (**NIET FORCEREN**) om een regelmatige zaagsnede te verkrijgen. De snijnsnelheid moet zijn aangepast aan het te zagen materiaal. (Langzaam doorvoeren als het hard materiaal is). Controleer regelmatig de goede staat van het zaagblad en maak het zaagblad weer scherp als het bot geworden is om overbelasting van de motor te voorkomen.

ZAAGSNEDE (afb. 13A en 13B)

Als u met het zaagblad in de verticale stand zaagt, gebruikt u het punt "A" van de geleider-inkeping (20) in de voetplaat en volgt u daarmee de lijn die u met potlood op het werkstuk hebt afgetekend. Als u zaagt onder een hoek van 45°, gebruikt u punt "B". Deze geleider-inkeping geeft bij benadering de toekomstige zaagsnede aan. Neem eerst een proef in een stuk afvalhout om na te gaan waar de werkelijke zaagsnede komt.

**LET OP!**

Als u met een parallelgeleider werkt, mag u daarmee de rand van het werkstuk slechts licht raken. Niet forceren.

ONDERHOUD

Controleer na elk gebruik of uw machine in goede staat van werking verkeert. Aanbevolen wordt om uw zaagmachine minstens éénmaal per jaar door een Erkend Ryobi Servicecentrum volledig te laten doorsmeren en schoonmaken.

PROBEER NIET OM EEN AFSTELLING TE WIJZIGEN ALS DE MOTOR DRAAIT. TREK ALTIJD DE STEKKER UIT HET STOPCONTACT VOORDAT U ACCESSOIRES VERWISSELT OF SLIJTENDE DELEN VERVANGT (ZAAGBLAD, BOOR, SCHUURPAPIER, ENZ.) EN VOORDAT U DE MACHINE GAAT ONDERHOUDEN OF IETS ANDERS AAN DE MACHINE GAAT DOEN. HOUD DE HANDGREPEN GOED SCHOON EN VRIJ VAN VET EN OLIE.

**WAARSCHUWING!**

Alle reparaties moeten worden uitgevoerd door een Erkend Ryobi Servicecentrum teneinde de veilige en betrouwbare werking van de machine te garanderen.

DEZE INSTRUCTIES ZORGVULDIG BEWAREN OM ZE LATER TE KUNNEN NASLAAN.

GARANTIE

Dit Ryobi product is gewaarborgd tegen fabricagefouten en defecte onderdelen gedurende een periode van vierentwintig (24) maanden, te rekenen vanaf de officiële datum op het origineel van de door de wederverkoper aan de eindgebruiker uitgeschreven rekening.

Beschadigingen veroorzaakt door normale slijtage, door abnormaal of ongeoorloofd gebruik of onderhoud, of door overbelasting vallen niet onder deze garantie, evenmin als accu's, lampen, bits, snijbladen, zakken enz.

In geval van slechte werking tijdens de garantieperiode, wordt u verzocht het **NIET GEDEMONTTEERDE** product samen met de koopbon aan uw leverancier of aan het dichtstbijzijnde Ryobi servicecentrum te sturen.

Deze garantie doet niet af aan uw wettelijke rechten met betrekking tot defecte producten.

MILIEUBESCHERMING

Zorg dat grondstoffen gerecycleerd en niet vernietigd worden. U dient uw afvalstoffen gescheiden aan te bieden en oude apparaten, accessoires en verpakkingen in speciale bakken te deponeren of naar instanties te brengen die belast zijn met de recycling ervan.

ÁLTALÁNOS BIZTONSÁGI ELŐÍRÁSOK



FIGYELMEZTETÉS

Olvassa el az összes utasítást! Az alább részletezett előírások be nem tartása olyan baleseteket okozhat, mint pl. tűz, áramütés és/vagy súlyos testi sérülések. Az alábbi biztonsági előírásokban az "elektromos szerszám" kifejezés mind az elektromos hálózatra csatlakoztatható (normál kivitelezésű), mind a vezeték nélküli (akkumulátoros) szerszámot egyaránt jelöli.

ŐRIZZE MEG EZEKET AZ ELŐÍRÁSOKAT.

MUNKATERÜLET

- **Gondoskodjon a munkaterület rendszeres takarításáról és kellő megvilágításáról.** A zsúfolt, rendetlen helyiségek önmagukban is balesetforrást jelentenek.
- **Ne használjon elektromos szerszámokat robbanásveszélyes környezetben, például gyúlékony folyadékok, gáz vagy por közelében.** Az elektromos szerszám motorjából származó szikra tüzet és robbanást okozhat.
- **Tartsa távol a gyermekeket és a többi személyt az elektromos szerszámot igénylő munkálatok végzése alatt.** A gyermekek és más személyek elvonhatják a figyelmét, és emiatt elveszítheti a szerszám felett az uralmát.

ELEKTROMOS BIZTONSÁGI ELŐÍRÁSOK

- **Az elektromos szerszám csatlakozóvilla meg kell hogy feleljen a dugaszoló aljzatnak.** Soha ne alakítsa át / módosítsa a csatlakozó dugaszt. Soha ne használjon adaptert földelt elektromos szerszámokkal. Ezáltal elkerülheti az áramütés veszélyét.
- **Kerülje a földelő (testelő) felületekkel való bármilyen érintkezést (például csővezeték, radiátor, gáz- vagy villanytűzhely, hűtőszekrény stb.).** Az áramütés veszélye nő azzal, ha testének valamely része földelt (testelő) felülethez ér.
- **Elektromos szerszámot ne tegyen ki esőnek vagy párának, nedvességnek.** Az áramütés veszélye megnő, ha víz kerül az elektromos szerszámra.
- **Ügyeljen arra, hogy az elektromos hálózati vezeték mindig jó állapotban legyen.** Soha ne tartsa a készüléket a tápvezetékénél fogva, illetve soha ne a zsinórnál fogva húzza ki azt a hálózati aljzattól. Tartsa távol a hálózati tápvezetékét hőforrásoktól, olajos dolgoktól, éles peremektől / tárgyaktól és mozgásban lévő részekről. Az áramütés veszélye megnő, ha a vezeték sérül ill. össze van gubancolva.

- **Ha a szabadban dolgozik, kizárólag kültéri használatra gyártott hosszabbítót használjon.** Ezáltal elkerülheti az áramütés veszélyét.

SZEMÉLYI BIZTONSÁG

- **Mindig óvatosan és körültekintően cselekedjen, győződjön meg a jó ítélőképességéről, ha elektromos szerszámot használ.** Ne használja a gépet, ha fáradt, szeszest italt vagy kábítószert fogyasztott, illetve ha orvosságot szed. Soha ne feledje, hogy egy pillanatnyi figyelmetlenség is elegendő ahhoz, hogy súlyosan megsérüljön.
- **Viseljen megfelelő védőfelszerelést. Használjon mindig védőszemüveget.** Amennyiben a körülmények megkívánják, hordjon porvédő maszkot, csúszásgátló talppal ellátott cipőt, sisakot vagy hallásvédő eszközt (fülvédőt, fül dugót) is a súlyos testi sérülésekkel járó balesetek elkerülése érdekében.
- **Minden esetben kerülje a szerszám véletlenszerű beindítását.** Mielőtt a hálózatra csatlakoztatná szerszámgépet, bizonyosodjon meg arról, hogy a kapcsoló a "ki" állásban van-e. A balesetveszély elkerülése érdekében soha ne helyezze át / szálítsa a szerszámot úgy, hogy ujjá a ravaszon van, valamint ne csatlakoztassa a vezetékét, ha a kapcsoló "be" állásban van.
- **Távolítsa el a beállítókulcsokat a szerszámról, mielőtt bekapcsolja.** A szerszám valamely mozgó részére csatlakoztatott csavarkulcs súlyos testi sérüléssel járó balesetet okozhat.
- **Álljon fél-terpesz állásban, és ne nyújtsa túl messze a karját.** A stabil munkapozíció hozzásegíti ahhoz, hogy jobban uralma alatt tartsa a szerszámot, és nagyobb biztonsággal védje ki a nem várt eseményeket.
- **A munkának megfelelő ruházatot viseljen.** Munka közben ne hordjon bő ruhát és ékszert. Ügyeljen arra is, hogy tartsa távol haját, ruháját és kezét a mozgó részekhez. A bő ruhát, ékszert és hosszú haját a szerszám mozgó részei bekaphatják.
- **Ha a készülékhez porszívó eszköz van mellékelve, ügyeljen arra, hogy azt megfelelőképp szerelje fel és használja.** Ekképp csökkentheti az egészségre káros por belélegzése által okozott sérülések veszélyét.

A VEZETÉK NÉLKÜLI SZERSZÁMOK HASZNÁLATA ÉS KARBANTARTÁSA

- **Ne erőltesse a szerszámot.** Mindig az elvégzendő munkának megfelelő eszközt használja. A szerszám hatékonysága, valamint az igénybevétel biztonsága nagyobb, ha rendeltetésének és teljesítményének megfelelően használja azt.

ÁLTALÁNOS BIZTONSÁGI ELŐÍRÁSOK

- **Ne használja az elektromos szerszámot, ha a be - ki kapcsológomb nem teszi lehetővé a készülék bekapcsolását illetve leállítását.** Egy olyan szerszám, amelyet nem lehet megfelelőképp be- és kikapcsolni, az veszélyes, és feltétlenül meg kell javíttatni.
- **Szüntesse meg a szerszám elektromos csatlakoztatását, mielőtt bármilyen beállításhoz, tartozékcserehez vagy a szerszám elrakásához kezdene.** Ezáltal jelentősen csökkenti a szerszám véletlenszerű beindításának veszélyét.
- **A szerszámokat gyermekek számára nem elérhető helyen kell tárolni.** Ne hagyja, hogy olyan személyek használják a szerszámot, akik nem ismerik a működését, vagy nincsenek tudomással jelen biztonsági előírásokról. Tapasztalatlan kezek között a szerszámok veszélyesek lehetnek.
- **Gondoskodjon a szerszám kellő karbantartásáról.** Ellenőrizze a mozgó alkatrészek beállítását. Ellenőrizze, hogy egyetlen alkatétel sem tört el. Ellenőrizze az összes alkatrész felszerelését / illeszkedését, és minden egyéb körülményt, ami befolyásolhatja a szerszám működését. Ha meghibásodást észlel, javíttassa meg a szerszámot, mielőtt újra használatba veszi. Számos balesetnek a nem megfelelő karbantartás az oka.
- **Tartsa a szerszámokat tisztán és élesen.** Ha a vágószerszám éle jól meg van élesítve és tiszta, akkor kevésbé hajlamos arra, hogy beszoruljon / megakadjon, így jobban megtarthatja uralmát a szerszám felett.
- **Tartsa be a jelen biztonsági előírásokat a szerszám, a tartozékok, a szerszámfejek stb. használata során a kéziszerszám, a munkaterület és az elvégzendő munkafolyamat sajátosságainak figyelembevételével.** A veszélyes helyzetek elkerülése érdekében az elektromos szerszámot kizárólag olyan munkálatokra használja, amelyre tervezték / fejlesztették.

JAVÍTÁS

- **A javítási munkálatokat egy olyan képzett szakemberre kell bízni, aki kizárólag eredeti cseralkatrészeket használ.** Az elektromos szerszámot így teljes biztonságban tudja majd használni.

A KÖRFŰRÉSZEKRE VONATKOZÓ SPECIÁLIS BIZTONSÁGI ELŐÍRÁSOK

- **Tartsa távol a kezét a vágási területtől és a fűrészláncától.** Az egyik kezével a szerszám fő markolatát, a másikkal pedig a segédfogantyút kell fogni, vagy pedig a motor védőelemre kell helyezni. Ily módon a kezét soha nem kerülnek a vágási területre, sem pedig a fűrészláncra meghosszabbított síkjába.

- **Ne tegye a kezét a munkadarab alá, mivel a fűrészláncsavédő nem takarja a fűrészláncát a munkadarab alatti részen.**
- **A vágásmélységet a munkadarab vastagságának megfelelően állítsa be.** A vágás során a fűrészlánc fogai nem szabad, hogy teljesen a munkadarab alá menjenek.
- **SOHA ne tartsa a munkadarabot kézzel ill. a lábai között.** A vágásra kerülő darabot egy stabil tartóeszközzel kell rögzíteni. A munkadarab helyes rögzítése elsődleges fontossággal bír, hogy ne tegye ki magát sérülésveszélynek, ne hajoljon meg a fűrészláncra és a vágás során ne veszítse el uralmát a szerszám felett.
- **A szerszámot mindig a szigetelt részeinél fogja, amikor olyan felületbe vág, amely elektromos vezetőket is tartalmazhat.** A feszültség alatt lévő villanyvezetékekkel történő érintkezés által a szerszám fém részeibe vezetődhöz az áram, ami áramütést okozhat.
- **Használjon mindig egy párhuzamos vágásvetítőt vagy egy egyenes léceket, amikor párhuzamos vágást hajt végre.** A vágást pontosabban lehet ilyen módon kivitelezni, valamint a fűrészlánc eldeformálódása is megelőzhető.
- **Kizárólag olyan tárcsákat használjon, melyek mérete és formája megfelel a tengely furatátmérőjének.** Egy, a hajtótengelynek nem megfelelő fűrészlánc nem fog megfelelőképp forogni, és így elveszítheti uralmát a gép felett.
- **Soha ne használjon sérült- ill. nem megfelelő fűrészláncsa csavart és alátétet.** A tárcsa alátétek és csavarok speciálisan az adott típusú fűrészhez lettek kifejlesztve - a maximális biztonság és teljesítmény érdekében.
- **Minden használat előtt ellenőrizze, hogy az alsó fűrészláncsavédő megfelelőképp takarja-e a tárcsát.** Ne használja a fűrész, ha az alsó fűrészláncsavédőt nem lehet szabadon kapcsolni ill. ha nem csukódik azonnal a tárcsára. Soha ne rögzítse, ill. kösse ki nyitott állapotban az alsó fűrészláncsavédőt. Ha véletlenül leesik a fűrész, az alsó fűrészláncsavédő meghajolhat. A kar segítségével emelje fel a tárcsavédőt, és bizonyosodjon meg arról, hogy nehézség nélkül mozgatható, valamint hogy se a fűrészláncához, se bármilyen más alkatételhez nem ér, bármilyen legyen is a vágás szöge és mélysége.
- **Bizonyosodjon meg arról, hogy az alsó fűrészláncsavédő rugója jó állapotban van és helyesen működik.** Amennyiben a fűrészláncsavédő vagy a rugó nem megfelelőképp működik, javíttassa meg, vagy cseréltesse ki az adott elemet, mielőtt a fűrész használatba venné. Az alsó fűrészláncsavédő mozgását akadályozhatja valamely meghibásodott alkatrész, a lerakódott gyanta, valamint az összegyűlt fűrészpor is.

A KÖRFŰRÉSZEKRE VONATKOZÓ SPECIÁLIS BIZTONSÁGI ELŐÍRÁSOK

- **Az alsó fűrészláncsavédőt nem szabad kézzel a helyére tenni, csak az olyan különleges vágásoknál, mint a beszűrő- vagy dupla vágások.** A kar segítségével emelje fel az alsó fűrészláncsavédőt. Ezután engedje el, amint a fűrészlánc belekap a munkadarabba. Bármilyen más típusú vágásnál az alsó fűrészláncsavédő automatikusan kerül a helyére.
- **Mielőtt a fűrész egy munkaasztalra vagy a földre tenné, mindig ellenőrizze, hogy az alsó fűrészláncsavédő jól takarja-e a tárcsát.** Ha a fűrészlánc nincs megfelelőképp takarva, lendületből mozoghat, és elvághatja azt, ami az útjába kerül. Mindig legyen tudatában annak, hogy mennyi idő kell még ahhoz, hogy a fűrészlánc leálljon a motor kikapcsolása után.
- Soha ne használjon deformálódott vagy sérült fűrészláncot.
- Ne használjon gyorsacélból készült fűrészláncokat.
- Ne használjon olyan fűrészláncot, melynek műszaki adatai nem felelnek meg a jelen kézikönyvben leírt paramétereknek.
- Ne állítsa le a fűrészláncot úgy, hogy a tárcsa lapját oldalirányban megnyomja.
- Bizonyosodjon meg arról, hogy a fűrészláncsavédő szabadon mozog, anélkül hogy beszorulna.
- Ne rögzítse nyitott állapotban az alsó fűrészláncsavédőt.
- Bizonyosodjon meg arról, hogy a tárcsavédő záró mechanizmusa megfelelően működik-e.

A HASÍTÓÉKKEL ELLÁTOTT KÖRFŰRÉSZEKRE VONATKOZÓ SPECIÁLIS BIZTONSÁGI ELŐÍRÁSOK

- Használjon az adott fűrészlánc típusának megfelelő hasítóéket. A hasítóék vastagabb kell hogy legyen, mint a tárcsa lapja, viszont vékonyabb, mint a tárcsa fogazata.
- A hasítóéket a jelen kézikönyv utasításainak megfelelően használja. Amennyiben a hasítóék nincs megfelelőképpen pozícionálva és beállítva, akkor nem fogja hatékonyan megakadályozni a megugrásokat.
- A hasítóék akadályozó lehet beszűrő vágásnál, így ilyen esetben egy megugrás kiváltó oka is lehet.
- Ha a hasítóék a munkadarabbal érintkezik, akkor megfelelőképp van elhelyezve. A hasítóék rövid vágásoknál nem teszi lehetővé a megugrások elkerülését.
- Ne használja a fűrész, ha a hasítóék el van görbülve. Ilyenkor elegendő, ha az csupán egy kicsit is az alsó tárcsavédőhöz dörzsölődik, és ez megakadályozza a leereszkedését.

A MEGUGRÁSOK OKAI

- A megugrás egy olyan hirtelenszerű reakció, amely akkor léphet fel, ha a fűrészlánc beszorul, elgörbül, vagy rosszul van beállítva: a fűrész váratlanul elválk a munkadarabtól és hevesen visszarúg a szerszámhasználó irányába.
- Amikor a fűrészlánc a fába csipődik, a tárcsa forgása megakad, és a tovább forgó motor megdobja a fűrész a forgásiránnyal ellenkező irányban, azaz a munkavégző személy felé.
- Ha a fűrészlánc elgörbül, vagy rosszul van beállítva, a tárcsa hátulján elhelyezkedő fogak belefűrödhetnek a fa felületébe, és ez a fűrészláncot a munkadarabról hirtelen a szerszámot használó személy irányába vetheti.
- **A megugrás ily módon a szerszám nem megfelelő használatának és/vagy a helytelen vágási módoknak / körülményeknek az eredménye. Néhány óvintézkedés meghozatalával és betartásával azonban elkerülhető ez a veszélyes jelenség.**

A MEGUGRÁSOK MEGELŐZÉSE

- **Tartsa erősen, két kézzel a fűrész és oly módon helyezze át a kezeit, hogy egy esetleges megugrást kontrollálni tudjon.** Munka közben mindig a fűrész egyik oldalára helyezkedjen, és soha ne a fűrészlánc meghosszabbított síkjába. Megugrás esetén a fűrész hirtelen hátravetődik, de ezt a reakciót kontrollálni lehet, amennyiben a használó a jelenség tudatában van, és felkészül rá.
- **Ha a fűrészlánc beszorul, vagy valamilyen okból kifolyólag meg kell szakítania a vágást, engedje el a ravaszt, és tartsa a fűrész a munkadarabon addig, amíg a tárcsa forgása teljesen le nem áll.** Soha ne próbálja elvenni a fűrész a munkadarabról, ill. hátrahúzni azt, amíg a fűrészlánc még forgásban van: ez a mozdulat ugyanis a szerszám megugrását válthatja ki. Ha a fűrészlánc beszorul, keresse meg az okát, és hozza meg a szükséges intézkedéseket ahhoz, hogy ez ne ismétlődhessen meg újra.
- **Mielőtt a vágás folytatásához újraindítaná a fűrész, igazítsa a tárcsát pontosan a fűrésznyomba és ellenőrizze, hogy a fogak nem érnek-e a munkadarabhoz.** Ha a fűrészlánc be van szorulva a munkadarabba, a fűrész bekapcsolásakor valószínűleg meg fog ugrani.
- **Ügyeljen arra, hogy a hosszú munkadarabokat támassza alá, ily módon elkerülhető, hogy a fűrészlánc beszoruljon, és ezáltal csökkenti a megugrás veszélyét.** A hosszú munkadarabok hajlamosak meghajolni a súlyuk alatt. A munkadarabot ajánlatos két helyen alátámasztani, az egyik a vágásvonalhoz közel, a másik pedig a munkadarab végén legyen.

A KÖRFŰRÉSZEKRE VONATKOZÓ SPECIÁLIS BIZTONSÁGI ELŐÍRÁSOK

- **Ne használjon életlen ill. megrongálódott fűrészláncot.** Az életlen, vagy rosszul felszerelt fűrészláncok használatakor a fűrésznyom túl keskeny és így a tárcsa nagyon sűrűdik, ezáltal nagyobb a torziós igénybevétel- és megugrás veszélye.
- **Mielőtt a vágáshoz kezdene, ellenőrizze, hogy a vágásmélység- és szögbeállító gombok megfelelően rögzítve vannak-e.** Ha a fűrészlánc pozícióját befolyásoló beállítások a vágás során módosulnak, a tárcsa beszorulhat és megnő a megugrás veszélye.
- **Különös óvatossággal járjon el, ha falba, vagy olyan felületbe végez beszűrő vágást, amely nem biztos, hogy homogén.** A fűrészlánc ilyenkor szemmel nem látható, a felület által rejtett tárgyakkal / szerkezeti elemekkel érintkezhet, és ez megugrást idézhet elő.

A KÉSZÜLÉK ELEMEI

1. Főtengely gátló gomb
2. Fűrészlemez csavar
3. Szolgálati kulcs
4. Fűrészlemez külső tartólemeze
5. Alsó fűrészlemez-védő
6. Alsó fűrészlemez-védő kar
7. Felső fűrészlemez-védő
8. Fűrészlemez
9. Fűrészlemez belső tartólemeze
10. Porelszívó fúvóka
11. Osztokés
12. Mélységbeállítás gátló gomb
13. Talp
14. Vágás mélység
15. Vágásmélység mérce
16. Rézsút beállító csavar
17. Szögmérő
18. Ravasz
19. Biztonsági csavar
20. Vezető horony
21. Mélységbeállítás horony

A TERMÉK TECHNIKAI JELLEMZŐI WS-6613 / WS-6615 / WS-6615X

Fűrészlemez átmérő	190 mm
(Kizárólag 190 mm átmérőjű fűrészlemez használjon)	
Belső furatátmérő	30 mm
Max. fűrészlemez vastagság	2.2 mm
max. vágás kapacitás	
0 fokban	66 mm
45 fokban	50 mm
Frekvencia	50Hz
Feszültség	110 V, 230 V AC
Teljesítmény	
WS-6613	1300 W

WS-6615 / WS-6615X	1500 W
Sebebség üresen	
WS-6613	4600/min
WS-6615 / WS-6615X	5500/min
Nettó súly	
WS-6613 / WS-6615X	5.1 kg
WS-6615	5.3 kg

MELLÉKELT ALKATRÉSZEK

Fűrészlemez, porelszívó fúvóka, szolgálati kulcs.

ALKALMAZÁS

Fa alapanyagú tárgyak fűrészélése.

ZAJÁRTALOM

A zaj mértéke (a hangnyomás szint) meghaladhatja a 85 dB értéket. Ebben az esetben használjon fülvédőt vagy óvja más úton a hallását.

ÖSSZESZERELÉS

NE FELEJTSE EL KIHÚZNI A Vezetéket A HÁLÓZAT ALJZATBÓL MIELŐTT A FÜRÉSZLEMEZ BE-, ILLETVE KISZERELÉSÉHEZ KEZD. ELLENŐRIZZE, HOGY A FÜRÉSZLEMEZ FOGAI FELFELÉ ÉS ELŐRE NÉZNEK.

A FÜRÉSZLEMEZ BE- ÉS KISZERELÉSE (2. 3. 4. ÉS 5. ÁBRA)

BESZERELÉS

1. Nyomja meg a főtengely gátló gombot (1), a szolgálati kulcs segítségével (3) forgassa a fűrészlemez csavart (2) mind addig, amíg a főtengely le nem blokkol. (2. ábra)
2. Tartsa nyomva a főtengely gátló gombot és a szolgálati kulcs segítségével (3) lazítsa meg (balra) a fűrészlemez csavart. (2. ábra)
3. Távolítsa el a csavart és a fűrészlemez külső tartólemezt (4). (2. ábra)
4. Az alsó fűrészlemez-védő kar (6) segítségével emelje fel az alsó fűrészlemez-védőt (5) és csúsztassa azt a felső fűrészlemez-védő alá (7). (3. ábra)
5. Illesse a helyére a fűrészlemez (8), a főtengelyen található fűrészlemez belső tartólemezhöz (9). Tegye vissza a fűrészlemez külső tartólemezt és a fűrészlemez csavart. (3. és 4. ábra)
6. Nyomja meg ismét a főtengely gátló gombot és amíg ezt a gombot nyomva tartja a szolgálati kulcsot jobbra forgatva húzza meg a fűrészlemez csavart. (5. ábra)
7. Engedje el a főtengely gátló gombot miután befejezte a fűrészlemez rögzítését.

KISZERELÉS

1. Nyomja meg a főtengely gátló gombot, a szolgálati kulcs segítségével forgassa a fűrészlemez csavart mind addig, amíg a főtengely le nem blokkol.
2. Tartsa nyomva a főtengely gátló gombot és a szolgálati kulcsot balra forgatva, lazítsa meg a fűrészlemez csavart.

A FÜRÉSZLEMEZ BE- ÉS KISZERELÉSE (2. 3. 4. ÉS 5. ÁBRA)

- Távolítsa el a a fűrészlemez csavart és a fűrészlemez külső tartólemezt.
- Emelje fel az alsó fűrészlemez-védőt a felső fűrészlemez-védő alá csúsztatva és vegye le a fűrészlemez.

OSZTÓKÉS BEÁLLÍTÁS (6 ÁBRA).



FIGYELEM !

Ne használjon se olyan fűrészlemez, amelyik vastagabb mint az osztókés se olyat, melyek fogai annál vékonyabbak.

- Győződjön meg arról, hogy az osztókés a következő képen van beállítva:
 - az osztókés (11) és a fogazat közötti távolság 5 mm-nél kevesebb,
 - a fogazat maximum 5 mm-rel haladja meg az osztókés alsó szélét.
- A merülő fűrészelés esetén kívül, használja az osztókést minden vágástípushoz.

VÁGÁSMÉLYSÉG BEÁLLÍTÁS (7A, B, 8, 9 ÁBRA)

- A vágásmélység beállításához, lazítsa meg a vágásmélység gátló csavart (12). (7A. ábra)
- A vágásmélység állító horony (21) segítségével, csúsztassa a talpazatot (13) a kívánt pozícióba, majd húzza meg a csavart. (7B. ábra)
- A vágásmélység (14) meghatározásához, használhatja a vágásmélység mércét (15) vagy megmérheti, hogy mennyivel haladja meg a fűrészlemez a talpazatot. (8. és 9. ábra)

VÁGÁSSZÖG BEÁLLÍTÁS (10A, B ÁBRA)

- A vágásszöget 0 és 45 fok között bármilyen pozícióba állíthatja. (10A. ábra)
- Lazítsa meg a készülék elején található vágásszög állító csavart (16) és a szögmérce (17) segítségével állítsa a kívánt szögbe a talpazatot. (10B. ábra)
- A beállítás elvégzése után, ne felejtse el kellően meghúzni a vágásszög állító csavart.

RAVASZ (11. ÁBRA)

A készülék üzembe hozásához, illetve kikapcsolásához húzza meg, illetve engedje el a ravaszt (18). A véletlenszerű beindítást akadályozó biztonsági gomb (19) megnyomása nélkül a bekapcsoló ravasz nem működik. Nyomja meg a hüvelykujjával a biztonsági gombot és ugyan ebben a kézpozícióban egy másik ujjával húzza meg a ravaszt. Nem szükséges nyomva tartani a biztonsági gombot miután meghúzta a ravaszt.

HASZNÁLAT (12. ÁBRA)



VESZÉLY :

TARTSA TÁVOL A KEZÉT A VÁGÁS TERÜLETÉTŐL ÉS A FÜRÉSZLEMEZTŐL. TARTSA TÁVOL A VEZETÉKET A VÁGÁS TERÜLETÉTŐL ÉS ÜGYELJEN ARRRA, HOGY NE AKADJON SEMMIBE A VÁGÁS KÖZBEN.

Az egyenes vágáshoz, gyakoroljon a vágás alatt egyenesen erős nyomást a fűrészre de **NE ERŐLTESSE**. Állítsa a sebességet a vágásra szánt tárgy anyagának megfelelően. (A sebesség legyen alacsony ha kemény anyagba vág.) Rendszeresen ellenőrizze a fűrészlemez állapotát és a motor felmelegedés elkerülése érdekében cserélje újra vagy élesítse meg ha eltompult.

VÁGÁS (13. A, B ábra)

Ha függőleges pozícióban fűrészelt, használja a talpazaton (20) található vezető horony "A" pontját és kövesse a vágásra szánt darabra rajzolt vezető vonalat. Ha 45 fokos szögben fűrészelt, használja a "B" pontot. Ez a vezető horony megközelítőleg jelzi a vágásvonalat. Végezzen próbafűrészlést egy hulladékfában.



EMLÉKEZTETÉS

Ha párhuzamos vágásvezetőt használ, érintse azt finoman a vágásra szánt tárgy széléhez. Ne erőltesse a vágást.

KARBANTARTÁS

Használat után ellenőrizze, hogy a készülék jó, üzemképes állapotban van. Tanácsos évenként egyszer, általános tisztításra és olajozásra egy Ryobi Szerviz Központba vinni a készüléket.

SOHA NE VÉGEZZEN BEÁLLÍTÁST A KÉSZÜLÉKEN HAA MOTOR ÜZEMBEN VAN. MINDIG TÁVOLÍTSA EL A HÁLÓZATI ALJZATBÓL A VEZETÉKET MIELŐTT ALKATRÉSZ, ILLETVE ELHASZNÁLT FÜRÉSZLEMEZ (VÉG, CSISZOLÓPAPÍR, STB.) CSERÉHEZ VALAMINT HA OLAJÓZÁSHOZ VAGY A SZERSZÁM SZÁLLÍTÁSÁHOZ KEZD. ELLENŐRIZZE, HOGY A SZERSZÁMNYÉLEN NINCS SE ZSÍR SE OLAJ.



FIGYELEM !

A biztonság és a megbízhatóság érdekében, minden javítási munkálatot egy Ryobi Szerviz Központban végeztessen el.

ŐRIZZE MEG A JELEN HASZNÁLATI ÚTMUTATÓT KÉSŐBBI TÁJÉKOZTATÁSRA.

GARANCIA

Ezt a Ryobi terméket huszonnégy (24) hónapig garanzáljuk a gyártáshibák, valamint a készülékben található alkatrészek miatt jelentkező meghibásodás ellen. A garancia az eladó által, a vásárló számára készített, eredeti adás-vételi szerződésen feltüntetett dátumtól érvényes.

A normális igénybevételből fakadó elhasználódás, a nem rendeltetésnek megfelelő használat vagy karbantartási művelet miatt fellépő, túlterhelés által okozott meghibásodásra nem terjed ki a garancia. A tartozékokra, mint például az akkumulátorra, izzókra, fűrófejekre, táskára, stb., a garancia szintén nem vonatkozik.

A garancia periódus alatt fellépő meghibásodás esetén, juttassa el **NEM SZÉTSZERELT ÁLLAPOTBAN** a Ryobi terméket a vásárlást és annak dátumát igazoló dokumentum kíséretében az eladóhoz vagy az Önhöz legközelebbi Ryobi Szerviz Központba.

A jelen garancia nem zárja ki a fogyasztási eszközökre vonatkozó jogszabályok által elrendeltek.

KÖRNYEZETVÉDELEM



Segítse elő az alapanyagok újrahasznosítását azzal, hogy nem helyezi el őket a háztartási szemétkorba. A környezetbarát újrahasznosítás érdekében a hulladékot szelektív módon, szétválogatva gyűjtse. A kiszolgált szerszámot, tartozékokat és csomagolóanyagokat speciális gyűjtőkonténerekben, vagy újrahasznosító szervezeteknél (pl. hulladékudvarok) helyezze el.

OBECNÉ BEZPEČNOSTNÍ POKYNY**UPOZORNĚNÍ**

Přečtěte si pozorně následující pokyny. Nedodržení uvedených pokynů může způsobit požár, úraz elektrickým proudem a/nebo jiné vážné zranění. Termíny "elektronářadí" nebo elektrické nářadí používané v následující části označují elektrické nářadí, které se zapojuje do elektrické sítě, nebo akumulátorové elektrické nářadí.

BEZPEČNOSTNÍ POKYNY PEČLIVĚ USCHOVEJTE.**PRACOVNÍ PROSTŘEDÍ**

- **Pracovní plocha musí být čistá a dostatečně osvětlená.** Nepřehledné a tmavé pracovní prostředí nebo přeplněné pracovní stoly jsou potenciálním zdrojem úrazu.
- **Nářadí nikdy nepoužívejte v prostředí, kde hrozí nebezpečí výbuchu, například v blízkosti hořlavých látek, plynů nebo prachu.** Jiskření vznikající při práci s elektronářadím může způsobit požár nebo explozi.
- **Při práci s elektronářadím pracujte v bezpečné vzdálenosti od okolních osob, zejména dětí.** Při práci nerozptylujte svou pozornost, abyste měli nářadí trvale pod kontrolou.

ELEKTRICKÁ BEZPEČNOST

- **Koncovka (vidlice) síťového kabelu musí být kompatibilní se zásuvkou elektrické sítě.** Na kabelové koncovce nikdy neprovádějte žádné změny. K zapojení uzemněného elektrického nářadí nebo nářadí připojeného na kostru nepoužívejte síťový adaptér. Vyhněte se tak nebezpečí úrazu elektrickým proudem.
- **Při práci se nedotýkejte uzemněných ploch (jako například vedení, topení, kamen, ledničky, apod.).** Nebezpečí úrazu elektrickým proudem se zvyšuje, pokud je některá část vašeho těla v kontaktu s uzemněnými plochami nebo uzemněným.
- **Chraňte elektrické nářadí před deštěm a vlhkem.** Při vniknutí vody do nářadí se zvyšuje riziko úrazu elektrickým proudem.
- **Přívodní síťový kabel je nutné dodržovat v dobrém technickém stavu.** Nářadí nikdy nedržte za přívodní síťový kabel a neodpojujte je z elektrické sítě taháním za síťový kabel. Síťový kabel ponechte v dostatečné vzdálenosti od zdrojů tepla, olejů a ostrých předmětů. Pokud je přívodní síťový kabel poškozený nebo překroucený, zvyšuje se riziko úrazu elektrickým proudem.
- **Pokud pracujete venku, používejte pouze prodlužovací kabely vhodné pro práci ve venkovním prostředí.** Vyhněte se tak nebezpečí úrazu elektrickým proudem.

OSOBNÍ BEZPEČNOST

- **Při práci s elektronářadím pozorně sledujte, co děláte, a řiďte se zdravým rozumem.** Nepoužívejte elektrické nářadí, pokud jste unavení, pod vlivem alkoholu, drog nebo užíváte-li léky, které snižují pozornost. Nezapomeňte, že i pouhý okamžik nepozornosti může být příčinou závažného úrazu.
- **Používejte vhodné ochranné prostředky. Při práci si chraňte oči.** V závislosti na pracovních podmínkách použijte protiprašný respirátor, protiskluzovou obuv, přilbu a chrániče sluchu. Snižte tak riziko tělesného úrazu.
- **Vyvarujte se tak nechtěnému rozběhu nářadí.** Před zapojením nářadí do elektrické sítě zkontrolujte, zda je spínač v poloze "vypnuto". Zbytečně se nevystavujte riziku úrazu a při přenášení nářadí nedržte prst na spouštěcí nářadí nebo nepřepínáte vypínač do polohy "zapnuto".
- **Před zapnutím nářadí odstraňte utahovací klíče.** Uťahovací klíč nasazený na některý z pohyblivých se dílů nářadí může způsobit vážný úraz.
- **Stůjte pevně oběma nohama na stabilní ploše, ruce nenatahujte příliš daleko nebo vysoko.** Stabilní pracovní poloha umožňuje lepší kontrolu nářadí v případě nečekané události.
- **Noste vhodný přiléhající pracovní oděv.** Nenoste široký plandající oděv a šperky. Vlasy, oděv a ruce ponechte v dostatečné vzdálenosti od pohyblivých se částí nářadí. Široký oděv, šperky a dlouhé vlasy by se mohly zachytit do pohyblivých se prvků nářadí.
- **Pokud byla pila dodána se sběrným vakem / odsávačem prachu, zkontrolujte, zda jsou odsávač prachu nebo sběrný vak řádně nasazeny na nářadí.** Vyvarujte se tak vdechování prachu, které poškozuje zdraví.

POUŽÍVÁNÍ A ÚDRŽBA ELEKTRICKÉHO NÁŘADÍ

- **Na nářadí netlačte.** Nářadí vybírejte podle povahy práce, kterou chcete provádět. Elektrické nářadí nepřetěžujte, dodržujte předepsaný pracovní režim, nářadí tak bude bezpečnější a účinnější.
- **Nářadí nepoužívejte, pokud ho nelze zapnout nebo vypnout hlavním spínačem.** Nářadí, které nelze správně zapnout a vypnout, je nebezpečné a je bezpodmínečně nutné ho nechat opravit.
- **Před seřizováním, výměnou příslušenství nebo před uskladněním je nutné nářadí odpojit od elektrické sítě.** Omezte tak riziko nechtěného spuštění nářadí.
- **Nářadí uskladněte mimo dosah dětí.** Nedovolte nezkušeným uživatelům a nepoučeným osobám, které se neseznámily s bezpečnostními předpisy, používat toto nářadí. Nářadí může být nebezpečné v rukou nezkušených osob.

OBECNÉ BEZPEČNOSTNÍ POKYNY

- **Nářadí udržujte v pořádku a čistotě.** Zkontrolujte, zda jsou pohyblivé prvky nářadí v zákrytu. Zkontrolujte, zda žádný díl není zlomený. Zkontrolujte správnost montáže nářadí a funkčnost všech dílů, které mohou narušit bezpečný provoz nářadí. Pokud je některý díl nářadí poškozen, nářadí dále nepoužívejte a nechte ho opravit. Řada úrazů bývá zapříčiněna nesprávnou údržbou nářadí.
- **Nářadí udržujte čisté a naostřené.** U pily musí být pilový kotouč ostrý a čistý. Kotouč tak nebude blokovat a nářadí budete mít lépe pod kontrolou.
- **Při práci s nářadím, příslušenstvím a nástavci dodržujte bezpečnostní pokyny, způsob práce přizpůsobte specifickým vlastnostem nářadí, pracovním podmínkám a charakteru prováděné práce.** Abyste se nedostali do nebezpečné situace, nářadí používejte pouze k předepsaným účelům.

OPRAVY

- **Opravy smí být prováděny pouze kvalifikovaným opravářem za pomoci originálních náhradních dílů.** Jen tak budou splněny základní požadavky na bezpečnost elektrického nářadí.

SPECIFICKÉ BEZPEČNOSTNÍ POKYNY TÝKAJÍCÍ SE PRÁCE S KOTOUČOVOU PILOU

- **Ruce ponechte v bezpečné vzdálenosti od oblasti řezu a pilového kotouče.** Jednou rukou držte hlavní rukojeť a druhou rukou přidavnou rukojeť nebo ruku položte na kryt motoru. Tak se nemůže stát, že se vaše ruce dostanou do dráhy řezu nebo do dráhy pilového kotouče.
- **Nepokládejte ruku pod řezaný díl, neboť kryt pilového kotouče nezakrývá kotouč pod řezaným dílem.**
- **Nastavte hloubku řezu podle síly řezaného materiálu.** Zuby pilového kotouče se při řezání nesmí dostat až zcela pod řezaný materiál.
- **Opracovávaný kus NIKDY nepřidržíte rukou v oblasti řezu a ani jej nedržte mezi nohama.** Upevněte řezaný materiál do stabilního držáku. Řádné upevnění řezaného dílu je základním předpokladem bezpečného řezání. Správné upevnění zamezuje ohýbání pilového kotouče. Také budete mít nářadí pod kontrolou.
- **Při práci v místech, kudy mohou vést elektrické kabely, je nutné držet nářadí pouze za izolované části.** Při náhodném kontaktu s vodiči pod napětím jsou pod proudem i kovové části nářadí (vzhledem k elektrické vodivosti) a můžete dostat elektrickou ránu.
- **Při provádění přímého (paralelního) řezu použijte vodítko nebo vodičí lištu.** Zvýší se přesnost řezu a zamezí se ohýbání kotouče.
- **Vždy používejte kotouč odpovídající velikosti a tvaru s vhodným upínacím průměrem.** Pilové kotouče s nevhodným upínacím průměrem se nebudou správně otáčet na hřídeli. Navíc existuje riziko, že ztratíte kontrolu nad nářadím.
- **Nikdy nepoužívejte poškozené nebo nevhodné šrouby a příruby.** Příruby a šrouby jsou specifické pro váš model pily a jsou zárukou bezpečnosti nářadí a optimálního výkonu.
- **Před každým použitím pily zkontrolujte, zda dolní ochranný kryt správně překrývá pilový kotouč.** Kotoučovou pilu nepoužívejte, pokud kryt pilového kotouče nelze snadno ovládat nebo jím nelze volně pohybovat. Nikdy neblokuje dolní kryt pilového kotouče v otevřené poloze. Pokud by došlo k nechtěnému pádu pily, dolní kryt pilového kotouče by se mohl ohnout. Zdvihněte dolní kryt pilového kotouče pomocí páčky a zkontrolujte, zda lze ochranným krytem snadno pohybovat, zda se nedotýká pilového kotouče ani žádného jiného dílu pily, bez ohledu na nastavenou hloubku a úhel řezu.
- **Zkontrolujte, zda je v dobrém stavu pružina dolního ochranného krytu.** Pokud ochranný kryt nebo pružina nepracují správně, nechte je opravit nebo vyměnit, než začnete s pilou pracovat. Poškozené díly nářadí, nalepená pryskyřice nebo nahromaděné třísky mohou brzdit pohyb dolního ochranného krytu.
- **Polohu ochranného krytu nelze upravovat rukou u specifických řezů, jako např. u ponorných nebo kombinovaných řezů.** Dolní ochranný kryt zvedněte pomocí páčky. Jakmile se pilový kotouč dostane do záběru s řezaným dílem, pusťte dolní ochranný kryt.
U všech ostatních typů řezů se dolní ochranný kryt sklopí automaticky.
- **Než postavíte pilu na pracovní stůl nebo na zem, zkontrolujte vždy, zda dolní ochranný kryt zakrývá pilový kotouč.** Pokud pilový kotouč není správně chráněn krytem, může se otáčet na základě setrvačnosti a přerýznout vše, co se nachází v dráze řezu. Nezapomeňte, že i po vypnutí motoru nářadí se kotouč ještě chvíli točí ze setrvačnosti.
- **Nepoužívejte poškozené nebo zdeformované pilové kotouče.**
- **Nepoužívejte pilové kotouče z rychlořezné oceli.**
- **Nepoužívejte pilové kotouče s technickými vlastnostmi, které neodpovídají údajům předepsaným v tomto návodu.**
- **Otáčející se pilový kotouč nezastavujte rukou ani nezpomalujte dlaní ruky.**
- **Zkontrolujte, zda nic nebrání volnému pohybu ochranných krytů.**
- **Neblokuje dolní kryt pilového kotouče v otevřené poloze.**
- **Zkontrolujte, zda mechanismus zakrytí pilového kotouče ochranným krytem pracuje správně.**

SPECIFICKÉ BEZPEČNOSTNÍ POKYNY TÝKAJÍCÍ SE PRÁCE S KOTOUČOVOU PILOU

SPECIFICKÉ BEZPEČNOSTNÍ POKYNY PRO PRÁCI S KOTOUČOVOU PILOU VYBA- VENOU ROZEVÍRACÍM KLÍNEM

- Používejte vhodný rozevírací klín v závislosti na typu pilového kotouče. Rozevírací klín musí být silnější než pilový kotouč, ale slabší než zuby pilového kotouče.
- Používejte rozevírací klín v souladu s pokyny uvedenými v tomto návodu. Pokud rozevírací klín není ve správné poloze, může dojít k tzv. zpětnému vrhu - vymrštění pily směrem na uživatele nářadí.
- Rozevírací klín může být překážkou při ponorném řezání a být příčinou zpětného vrhu.
- Rozevírací klín je správně umístěn, pokud je v kontaktu s řezaným materiálem. Rozevírací klín nezamezí zpětnému vrhu při krátkém řezu.
- Nepoužívejte pilu, pokud je rozevírací klín ohnutý. Pokud se rozevírací klín jen mírně otírá o dolní ochranný kryt, to stačí k narušení pohybu ochranného krytu.

PŘÍČINY ZPĚTNÉHO VRHU

- Zpětný vrh nářadí je prudká reakce pily, ke které může dojít, pokud se pilový kotouč zablokuje, ohne nebo je špatně srovnaný: pila náhle "vyskočí" z řezaného dílu a vymrští se směrem k uživateli.
- Jakmile pilový kotouč uvízne ve dřevě, přestane se otáčet, motor stále běží a následkem toho dojde k vymrštění pily opačným směrem než je pohyb pilového kotouče, tzn. směrem k uživateli.
- Pokud se pilový kotouč ohne nebo není v zákrytu, zuby v zadní části pilového kotouče se mohou zabořit do dřeva. Tím se pilový kotouč vymrští směrem k uživateli.
- Zpětný vrh je tudíž způsoben nesprávným používáním nářadí a/nebo nevhodným postupem při řezání, případně nevhodnými podmínkami řezání. Zpětnému vrhu - vymrštění nářadí lze předcházet při dodržování několika základních opatření.

PREVENCE ZPĚTNÉHO VRHU - VYMRŠTĚNÍ NÁŘADÍ

- Držte pevně nářadí oběma rukama a paže mějte v takové poloze, abyste mohli zabránit případnému vymrštění nářadí. Při řezání stůjte po straně pily, nikdy v ose dráhy pilového kotouče. Při zpětném vrhu dojde k náhlému vymrštění pily dozadu směrem na uživatele, ovšem tento pohyb lze kontrolovat, pokud si je uživatel nebezpečí vědom a je na něj připraven.
- Pokud dojde k zablokování kotouče v řezaném materiálu, dejte prst ze spouštěče a ponechte pilový kotouč v řezaném materiálu, dokud se nepřestane točit. Nikdy se nesnažte vyprošťovat

pilu z řezaného dílu nebo násilím odtlačovat pilu od sebe, pokud se pilový kotouč ještě otáčí. To by mohlo zapříčinit zpětný vrh. Pokud pilový kotouč uvízne v řezaném materiálu, pokuste se nalézt příčinu a proveďte nápravu, aby k zablokování kotouče již nemohlo dojít.

- **Než znovu uvedete pilu do provozu a budete pokračovat v řezání, srovnajte pilový kotouč přesně s dráhou řezu a zkontrolujte, zda se zuby pilového kotouče nedotýkají řezaného materiálu.** Pokud je pilový kotouč zablokovaný v řezaném materiálu, při spuštění pily by mohlo dojít k jejímu vymrštění směrem na uživatele.
- **Při řezání dlouhých dílů je nutné používat podpěru, aby pilový kotouč neměl sklony v materiálu blokovat.** Tím se omezí nebezpečí vymrštění pily. Dlouhé díly mají tendenci se prohýbat v důsledku své vlastní váhy. Dlouhé díly můžete podepřít z obou stran, v blízkosti dráhy řezu a na konci řezaného dílu.
- **Nepoužívejte poškozené nebo tupé pilové kotouče.** Tupé nebo nesprávně nasazené pilové kotouče jsou zdrojem tření, které zvyšuje riziko ohnutí kotouče a jeho vymrštění z řezaného materiálu.
- **Než začnete řezat, zkontrolujte, zda jsou knoflík pro blokování řezné hloubky a knoflík pro nastavení naklopení řádně utaženy.** Pokud by v průběhu řezání došlo ke změně polohy pilového kotouče, pilový kotouč by se mohl zablokovat v řezaném materiálu a způsobit zpětný vrh.
- **Buďte velmi opatrní při ponorném řezání a při řezání "slepých zón" materiálu.** Pilový kotouč by mohl narazit na skryté předměty a mohlo by dojít k vymrštění kotouče směrem na uživatele.

POPIS

1. Tlačítko pro aretaci vřetene
2. Šroub pro upevnění kotouče
3. Servisní utahovací klíč
4. Vnější příruba pilového kotouče
5. Dolní ochranný kryt pilového kotouče
6. Páka dolního ochranného krytu pilového kotouče
7. Horní ochranný kryt pilového kotouče
8. Pilový kotouč
9. Vnitřní příruba pilového kotouče
10. Prachový nástavec (odsávání pilového prachu)
11. Rozevírací klín
12. Tlačítko pro zablokování řezné hloubky
13. Vodicí saně
14. Hloubka řezu
15. Stupnice pro nastavení hloubky řezu
16. Knoflík pro nastavení naklopení
17. Stupnice pro nastavení naklopení
18. Spouštěč
19. Bezpečnostní pojistka
20. Zárez pro lineární vodicí
21. Patka pro nastavení hloubky řezu

TECHNICKÉ ÚDAJE VÝROBKU WS-6613 / WS-6615 / WS-6615X

Průměr pilového kotouče	190 mm
<i>(Používejte pouze pilové kotouče s tímto průměrem)</i>	
Průměr uchycení kotouče (upínací otvor)	30 mm
Maximální tloušťka kotouče	2,2 mm
Maximální prořez	
při 0 stupních	66 mm
při 45 stupních	50 mm
Frekvence	50 Hz
Napětí	110 V, 230 V AC
Jmenovitý příkon	
WS-6613	1300 W
WS-6615 / WS-6615X	1500 W
Otáčky naprázdno	
WS-6613	4600/min
WS-6615 / WS-6615X	5500/min
Čistá hmotnost	
WS-6613 / WS-6615X	5,1 kg
WS-6615	5,3 kg

STANDARDNÍ PŘÍSLUŠENSTVÍ

Pilový kotouč, prachový nástavec, utahovací klíč.

POUŽITÍ

Řezání dřevěného materiálu.

HLUŠNOST NÁŘADÍ

Hlučnost (neboli úroveň akustického tlaku) při práci s nářadím může překročit úroveň 85 dB. V tom případě se doporučuje provést zvukovou izolaci a v každém případě při práci používat osobní chrániče sluchu.

MONTÁŽ

PŘED NASAZENÍM NEBO SEJMUTÍM PILOVÉHO KOTOUČE ODPOJTE PILU Z ELEKTRICKÉ SÍTĚ. ZUBY PILOVÉHO KOTOUČE MUSÍ SMĚŘOVAT NAHORU PŘED NÁŘADÍ.

NASAZENÍ A SEJMUTÍ PILOVÉHO KOTOUČE (OBRÁZKY 2, 3, 4 A 5)

UPEVNĚNÍ PILOVÉHO KOTOUČE

1. Stiskněte tlačítko pro aretaci vřetena (1), utahovacím klíčem otáčejte upevňovacím šroubem pilového kotouče (2) tak dlouho, dokud se vřeteno nezablokuje. (Obr. 2)
2. Pomocí klíče povolte šroub pilového kotouče otáčením doleva, současně stiskněte tlačítko pro aretaci vřetena. (Obr. 2)
3. Vyndejte šroub pilového kotouče a sejměte vnější přírubu (4). (Obr. 2)
4. Pomocí páčky (6) pod horním ochranným krytem pilového kotouče (7) zdvihnete dolní ochranný kryt pilového kotouče (5). (Obr. 3)

5. Pak nasadte pilový kotouč (8) proti dolní přírubě pilového kotouče (9), která se nachází na vřeteně. Pak nasadte vnější přírubu a upevňovací šroub pilového kotouče. (Obr. 3 a 4)
6. Stiskněte tlačítko pro aretaci vřetena, podržte je stisknuté a utahovacím klíčem utáhněte šroub pilového kotouče doprava. (Obr. 5)
7. Jakmile je šroub pilového kotouče utažen, pusťte tlačítko pro aretaci vřetena.

SEJMUTÍ PILOVÉHO KOTOUČE

1. Stiskněte tlačítko pro aretaci vřetena, utahovacím klíčem otáčejte upevňovacím šroubem pilového kotouče tak dlouho, dokud se vřeteno nezablokuje.
2. Pomocí klíče povolte šroub pilového kotouče otáčením doleva, současně stiskněte tlačítko pro aretaci vřetena.
3. Vyndejte šroub pilového kotouče a sundejte vnější přírubu.
4. Zdvihnete dolní ochranný kryt pilového kotouče nacházející se pod horním ochranným krytem až do koncové polohy a sundejte pilový kotouč.

SEŘÍZENÍ ROZEVÍRACÍHO KLÍNU (OBR. 6)



UPOZORNĚNÍ:

Nepoužívejte pilové kotouče s větší tloušťkou než je tloušťka rozevíracího klínu ani kotouče s menším ozubením než je tloušťka rozevíracího klínu.

1. Zkontrolujte správné nastavení rozevíracího klínu (obr. 6):
 - A. Vzdálenost mezi rozevíracím klínem (11) a zuby pilového kotouče nesmí být vyšší než 5 mm.
 - B. Zuby pilového kotouče nemají přesahovat o více než 5 mm spodní hranu rozevíracího klínu.
2. Rozevírací klín je nutné používat systematicky při zapichovacím řezání ve středu opracovávaného dílu.

NASTAVENÍ ŘEZNÉ HLOUBKY (OBR. 7A, B, 8, 9)

1. Při nastavení hloubky řezání je nutné povolit knoflík pro blokování hloubky řezu (12). (Obr. 7A)
2. Posuňte základnu nářadí (13) pomocí patky pro nastavení hloubky řezu (21) na požadovanou hloubku řezu a utáhněte pevně knoflík. (Obr. 7B)
3. Hloubku řezu (14) je možné nastavit pomocí stupnice pro nastavení hloubky řezu (15) nebo měřením vzdálenosti přesahu pilového kotouče pod základnu pily. (Obr. 8 a 9)

NASTAVENÍ ÚHLU ŘEZÁNÍ (OBR. 10 A, B)

1. Pro řezání pod úhlem je možné pilu naklopit v rozmezí od 0° do 45°. (Obr. 10A)
2. Povolte knoflík pro nastavení naklopení pily (16) nacházející se v přední části pily a nastavte základnu pily na požadovaný úhel pomocí stupnice (17). (Obr. 10B)
3. Po nastavení úhlu pečlivě utáhněte knoflík pro nastavení naklopení pily.

SPOUŠTĚŠ NÁŘADÍ (OBR. 11)

Nářadí se zapíná a vypíná stisknutím a uvolněním spouštěče (18). Aby nedošlo k nechtěnému rozběhu nářadí, spouštěč funguje pouze, pokud je zamáčknutá pojistka (19). Bezpečnostní pojistku lze zamáčknout palcem, prsty jsou tak volné k ovládní spouštěče. Po zapnutí nářadí spouštěčem není nutné držet blokační pojistku zamáčknutou.

POUŽÍVÁNÍ NÁŘADÍ (OBR. 12)**NEBEZPEČÍ:**

RUCE PONECHTE V DOSTATEČNÉ VZDÁLENOSTI OD OBLASTI ŘEZU A OD PILOVÉHO KOTOUE, JE-LI PILA V PROVOZU. PŘÍVODNÍ SÍŤOVOU ŠŤŮRU JE NUTNÉ PONECHAT V DOSTATEČNÉ VZDÁLENOSTI OD MÍSTA ŘEZU, ABY PŘI ŘEZÁNÍ NEMOHLA ZACHYTIT ZA OPRACOVÁVANÝ MATERIÁL.

Při řezání držte pilu pevně a rovnoměrně v záběru s materiálem (**NA PILU PŘÍLIŠ NETLAČTE**), aby byl výsledný řez pravidelný. Rychlost řezání musí být uzpůsobena kvalitě materiálu. (Řežte pomalu, pokud je dřevo tvrdé). Pravidelně kontrolujte pilový kotouč, pokud je tupý nebo opotřebovaný, je nutné kotouč vyměnit.

VEDENÍ ŘEZU (obr. 13 A, B)

Pokud řežete svisle, používejte bod „A“ v zářezu vodicích saní (20) pily a řez vedte v trase, kterou si vyznačíte na materiálu tužkou. Pokud řežete pod úhlem 45°, použijte bod „B“. Tento zářez pro vodítko označuje přibližnou trasu vedení řezu. Vyzkoušejte si správnost nastaveného vedení řezu na nepotřebném obrobku.

**VAROVÁNÍ:**

Pokud používáte paralelní vodítko, vodítko se smí pouze lehce dotýkat okraje opracovávaného materiálu. Na pilu netlačte.

ÚDRŽBA NÁŘADÍ

Po skončení práce zkontrolujte, zda je nářadí v dobrém stavu.

Doporučuje se nechat nářadí zkontrolovat alespoň jedenkrát ročně v některém z autorizovaných servisních středisek výrobků Ryobi a nechat nářadí kompletně vyčistit a namazat.

NEPROVÁDĚJTE ŽÁDNÁ SEŘIZOVÁNÍ, POKUD JE MOTOR V PROVOZU.

PŘI VÝMĚNĚ PŘÍSLUŠENSTVÍ NEBO NÁHRADNÍCH DÍLŮ (KOTOUCĚ, NÁSTAVCE, SKELNÉHO PAPIRU APOD.), JE VŽDY NUTNÉ ODPOJIT PŘÍVODNÍ SÍŤOVÝ KABEL Z ELEKTRICKÉ SÍTĚ.

PŘED SPUŠTĚNÍM NÁŘADÍ ZKONTROLUJTE, ZDA JE RUKOJEČ ČISTÁ (BEZ STOP PO MAZIVU NEBO OLEJI).

**UPOZORNĚNÍ:**

Z bezpečnostních důvodů a pro zajištění spolehlivosti nářadí musí být veškeré opravy prováděny v autorizované servisní opravně výrobků Ryobi.

USCHOVEJTE SI TENTO NÁVOD, ABYSTE SE K NĚMU MOHLI V BUDOUCNOSTI VRÁTIT.

ZÁRUKA

Na tento výrobek značky Ryobi se poskytuje záruka po dobu 24 (dvaceti čtyř) měsíců od data uvedení na fakturu nebo pokladním bloku, který koncový uživatel obdržel v prodejně při nákupu výrobku. Záruka se vztahuje na výrobní vady a vadné díly.

Záruka se nevztahuje na poškození výrobku způsobené jeho běžným opotřebením, nesprávným nebo neschváleným používáním, nesprávnou údržbou nebo přetížením. Uvedené záruční podmínky se plně vztahují i na příslušenství, jako akumulátory, žárovky, pilové listy, nástavce, vaky apod.

V případě provozních problémů u výrobku v záruce kontaktujte nejbližší autorizovanou servisní opravnu výrobků Ryobi. K opravě je nutné předložit **NEDEMONTOVANÝ** výrobek spolu s fakturou nebo pokladním blokem.

Tato záruka nevylučuje případná další Vaše spotřebitelská práva týkající se výrobních závad, v souladu s platnými legislativními předpisy.

OCHRANA ŽIVOTNÍHO PROSTŘEDÍ

V rámci možností neodhazujte vysloužilé nářadí do domovního odpadu a upřednostněte jeho recyklaci. Respektujte životní prostředí, třídte odpad a odneste vysloužilé nářadí, příslušenství a obalový materiál do speciálních kontejnerů nebo do speciální sběrný odpadu k recyklaci.

ОБЩИЕ ПРАВИЛА ТЕХНИКИ БЕЗОПАСНОСТИ



ПРЕДУПРЕЖДЕНИЕ

Внимательно прочтите все инструкции. Несоблюдение правил техники безопасности может повлечь за собой несчастные случаи: пожар, удар током, а также тяжелые травмы. Правила техники безопасности для электрических инструментов относятся также и к аккумуляторным инструментам.

ХРАНИТЕ НАСТОЯЩИЕ ИНСТРУКЦИИ ПО ТЕХНИКЕ БЕЗОПАСНОСТИ.

РАБОЧЕЕ МЕСТО

- Следите за чистотой и освещением на рабочем месте. Захламленные и плохо освещенные рабочие места ведут к несчастным случаям.
- Не пользуйтесь электрическими инструментами во взрывоопасной среде, например рядом с легко воспламеняемыми жидкостями, газом или пылью. Искры из электрических инструментов могут воспламенить их или взорвать.
- Не подпускайте детей и посторонних к рабочему месту во время работы с электрическим инструментом. Вы можете отвлечься и потерять контроль над инструментом.

ЭЛЕКТРИЧЕСКАЯ БЕЗОПАСНОСТЬ

- Вилка инструмента должна подходить к розетке. **Никогда не разбирайте вилку сетевого шнура.** Никогда не пользуйтесь адаптерами при работе с заземленным инструментом. Это поможет избежать ударов током.
- Избегайте контакта с заземленными предметами и предметами, подключенными на массу (трубами, батареями, кухонными плитами, холодильниками и т.д.) При соприкосновении с этими предметами опасность удара током возрастает.
- Не оставляйте инструмент под дождем или в сырых местах. При попадании воды в электрический инструмент опасность удара током возрастает.
- Поддерживайте сетевой шнур в хорошем рабочем состоянии. Никогда не держите инструмент за сетевой шнур и не дергайте за него, чтобы вынуть его из розетки. Держите сетевой шнур подальше от источников тепла, от масла, режущих предметов и подвижных деталей. При поврежденном сетевом шнуре опасность удара током возрастает.

- При наружных работах пользуйтесь только специальными удлинителями для наружных работ. Это поможет избежать ударов током.

ЛИЧНАЯ БЕЗОПАСНОСТЬ

- При работе с электрическими инструментами следите за адекватностью своих действий и решений. Не пользуйтесь инструментом в уставшем состоянии, в состоянии алкогольного или наркотического опьянения, а также под воздействием медикаментов. Помните, что достаточно секунды невнимания, чтобы тяжело пораниться.
- Пользуйтесь адекватными защитными средствами. Всегда защищайте глаза. Во избежание тяжелых травм при необходимости пользуйтесь респиратором, нескользящей обувью, каской и средствами защиты слуха.
- Избегайте случайного запуска инструмента. Прежде чем включать инструмент в розетку, проверьте, чтобы выключатель стоял в положении ВЫКЛ. Во избежание несчастных случаев не переносите инструмент с пальцем на курке и не включайте его в сеть, когда выключатель стоит в положении ВКЛ.
- Перед включением инструмента выньте из него все затяжные ключи. Затяжной ключ на подвижной детали инструмента может вызвать тяжелые травмы.
- Крепко держитесь на ногах и не вытягивайте руки слишком далеко. Устойчивое рабочее положение позволяет лучше контролировать инструмент в случае неожиданности.
- Пользуйтесь адекватной одеждой. Не надевайте широкую одежду и бижутерию. Держите волосы, одежду и перчатки подальше от подвижных деталей инструмента. Широкая одежда, бижутерия и длинные волосы могут попасть в подвижные детали.
- Если инструмент оснащен системой удаления опилок, установите ее на инструмент и пользуйтесь ей при работе. Избегайте попадания вредной пыли в органы дыхания.

ИСПОЛЬЗОВАНИЕ И ОБСЛУЖИВАНИЕ ЭЛЕКТРИЧЕСКОГО ИНСТРУМЕНТА

- Не форсируйте инструмент. Используйте инструмент, подходящий для каждой данной работы. Инструмент будет работать производительнее и надежнее в режиме, для которого он был разработан.
- Не пользуйтесь электрическим инструментом, если выключатель не работает. Если инструмент нельзя включить или выключить, это опасно. Его необходимо обязательно отремонтировать.

ОБЩИЕ ПРАВИЛА ТЕХНИКИ БЕЗОПАСНОСТИ

- Отключайте инструмент из сети перед настройкой, сменой аксессуаров или укладкой на хранение. Это поможет избежать случайного запуска инструмента.
- Храните инструменты в недоступном для детей месте. Не доверяйте инструмент рабочим, не знающим его или не прочитавшим настоящее руководство. В руках неопытных рабочих инструменты представляют опасность.
- Заботливо ухаживайте за инструментами. Проверьте линейность подвижных деталей. Проверьте целостность всех деталей. Проверьте сборку инструмента и все элементы, от которых зависит его работа. При поломке деталей ремонтируйте их прежде чем продолжать использоваться инструментом. Многие несчастные случаи происходят из-за неправильного ухода за инструментами.
- Держите инструменты заточенными и чистыми. Чистый и хорошо заточенный пильный диск снижает риск зажатия в заготовке и позволяет лучше контролировать инструмент.
- Соблюдайте настоящие правила техники безопасности в обращении с инструментом, аксессуарами, насадками и т.д. Учитывайте особенности инструмента, рабочего места и предстоящей работы. Во избежание опасных ситуаций, пользуйтесь электрическим инструментом только для тех работ, для которых он предназначен.

РЕМОНТ

- Ремонтные работы должны производиться квалифицированным техником с использованием марочных запчастей. Тогда электрическим инструментом можно работать в полной безопасности.

ОСОБЫЕ ПРАВИЛА ТЕХНИКИ БЕЗОПАСНОСТИ ДЛЯ ДИСКОВЫХ ПИЛ

- Держите руки подальше от пильного диска и зоны распиловки. Держитесь одной рукой за основную рукоятку, а другой – за вспомогательную или за картер мотора. В этом положении руки не попадут в зону распиловки или на траекторию распила.
- Не заводите руки под заготовку: защитный кожух не закрывает диск под заготовкой.
- Регулируйте глубину распила в зависимости от толщины заготовки. Во время распиловки зубья диска не должны полностью выходить снизу заготовки.
- НИКОГДА не держите заготовку рукой или между ног. Закрепляйте ее на устойчивой поверхности. Во избежание травм, изгиба диска и потери контроля над инструментом исключительно важно правильно фиксировать заготовку.

- При работе в поверхностях, за которыми могут быть спрятаны электрические провода, держите инструмент только за изолированные части. При соприкосновении с проводами под напряжением металлические части инструмента могут электризоваться и повлечь удар током.
- При параллельной распиловке всегда пользуйтесь направляющей параллельной распиловки или прямым бруском. Это повысит точность распила и предотвратит изгиб пильного диска.
- Пользуйтесь дисками, подходящими по размеру и по форме нарезке вала. Диски, не подходящие валу, на который они установлены, будут вращаться неправильно и приведут к потере контроля над инструментом.
- Никогда не пользуйтесь дефектными или неподходящими винтами и щечками пильного диска. Щечки и винты пильного диска изготовлены специально для данной модели пилы, они обеспечивают оптимальную безопасность и производительность инструмента.
- Перед началом работы всегда проверяйте, чтобы нижний защитный кожух полностью закрывал пильный диск. Никогда не работайте пилой, если нижний защитный кожух не ходит свободно или не сразу закрывает пильный диск. Никогда не блокируйте нижний защитный кожух в открытом положении. Если пила случайно упала, нижний защитный кожух пильного диска мог погнуться. Поднимите нижний защитный кожух за ручку и проверьте, чтобы он ходил свободно и не касался пильного диска и других деталей, независимо от выставленного угла и глубины распила.
- Проверяйте целостность и исправную работу пружины нижнего защитного кожуха пильного диска. Если защитный кожух или пружина неисправны, прежде чем продолжать пользоваться пилой сдайте их в ремонт или на замену. Движение нижнего защитного кожуха пильного диска не должно замедляться поврежденными деталями, налетом смолы или скопившимися опилками.
- Защитный кожух должен устанавливаться вручную только для особых распилов, например, при врезании в заготовку или при распиловке под двойным углом. Поднимите защитный кожух за ручку. Как только пильный диск вошел в заготовку – отпустите защитный кожух. Для всех других видов распиловки защитный кожух пильного диска должен работать автоматически.
- Прежде чем ставить пилу на верстак или на пол всегда проверяйте, чтобы нижний защитный кожух полностью закрывал пильный диск. Если пильный диск полностью не закрыт, он может продолжать вращаться по инерции и разрезать предметы, находящиеся на его траектории. После остановки мотора подождите, пока пильный диск полностью остановится.
- Не пользуйтесь поврежденными или гнутыми пильными дисками.

ОСОБЫЕ ПРАВИЛА ТЕХНИКИ БЕЗОПАСНОСТИ ДЛЯ ДИСКОВЫХ ПИЛ

- Не пользуйтесь пильными дисками из быстрорежущей стали.
- Пользуйтесь только теми пильными дисками, характеристики которых соответствуют рекомендациям изготовителя в настоящем руководстве.
- Не останавливайте пильный диск, нажимая на него сбоку.
- Проверьте свободный ход защитного кожуха.
- Не блокируйте нижний защитный кожух в открытом положении.
- Проверьте исправную работу механизма, закрывающего защитный кожух.

ОСОБЫЕ ПРАВИЛА ТЕХНИКИ БЕЗОПАСНОСТИ ДЛЯ ДИСКОВЫХ ПИЛ С ДЕЛИТЕЛЬНЫМ НОЖОМ

- Пользуйтесь делительным ножом, подходящим данному пильному диску. Делительный нож должен быть толще корпуса пильного диска, но тоньше его зубьев.
- Пользуйтесь делительным ножом согласно инструкциям настоящего руководства. Если делительный нож неправильно установлен или не выровнен, он не сможет эффективно предупреждать отскоки.
- Делительный нож может мешать при врезании в заготовку и вызывать отскоки.
- Делительный нож стоит правильно, когда касается заготовки. Делительный нож не предупреждает отскок при коротких распилах.
- Не пользуйтесь пилой, если делительный нож погнут. Если он даже слегка заденет за нижний защитный кожух пильного диска, кожух может опуститься.

ПРИЧИНЫ ОТСКОКОВ

- Отскок возникает, когда пильный диск зажимается, гнется или неровно стоит: пила резко отскакивает от заготовки в сторону пользователя.
- Когда пильный диск застревает в дереве, мотор продолжает работать и отбрасывает пилу в направлении противоположном направлению вращения диска, т.е. в сторону пользователя.
- Если пильный диск гнется или неровно стоит, его задние зубья могут врезаться в дерево и резко отбросить пилу от заготовки в сторону пользователя.

- Таким образом, отскок возникает в результате неправильного использования инструмента или неправильных условий и процедур распиловки. Отскока можно избежать, соблюдая некоторые правила.

ПРЕДУПРЕЖДЕНИЕ ОТСКОКОВ

- **Держите пилу обеими руками, чтобы контролировать ее в случае отскока.** Во время работы стойте сбоку от пилы, а не на ее траектории. При отскоке пилу отбрасывает назад, но отскок можно контролировать, если пользователь готов к нему.
- **Если диск застрял или необходимо прервать распил по какой-либо причине, отпустите курок и оставьте пилу в заготовке, пока диск полностью не остановится.** Никогда не пытайтесь вынуть пилу из заготовки или тянуть ее назад, пока диск не остановился: это может привести к отскоку. Если пильный диск зажат, найдите причину зажима и примите необходимые меры, чтобы это не повторилось.
- **Прежде чем запускать пилу и продолжать работу выровняйте пильный диск по линии распила и убедитесь в том, что его зубья не касаются заготовки.** Если диск зажат в заготовке, при запуске пилы может произойти отскок.
- **Во избежание зажима пильного диска и опасности отскока поддерживайте длинные заготовки.** Длинные заготовки прогибаются под собственным весом. Расставляйте подставки по обе стороны заготовки рядом с линией распила и у края заготовки.
- **Не пользуйтесь поврежденными или тупыми пильными дисками.** Плохо заточенные или неправильно установленные пильные диски сделают очень тонкий распил. При этом диск будет больше тереться о заготовку, и риск изгиба и отскока возрастет.
- **Перед началом работы проверьте затяжку винтов регулировки глубины и наклона.** Если регулировка положения пильного диска изменится во время работы, диск может зажаться и вызвать отскок.
- **Будьте особо внимательны при врезании в стены и другие закрытые плоскости.** Диск может натолкнуться на невидимые снаружи предметы и вызвать отскок.

ОПИСАНИЕ

1. Кнопка блокировки вала
2. Винт полотна
3. Сервисный ключ
4. Внешняя шайба полотна
5. Нижний защитный кожух полотна
6. Рычаг нижнего защитного кожуха полотна
7. Верхний защитный кожух полотна
8. Полотно
9. Внутренняя шайба полотна
10. Сопло для пыли
11. Разделительный нож
12. Кнопка блокировки глубины резки
13. Подошва
14. Глубина резки
15. Шкала глубины резки
16. Кнопка регулировки наклона
17. Шкала наклона
18. Курок
19. Кнопка безопасности
20. Направляющая риска
21. Лапка регулировки глубины резки

**ХАРАКТЕРИСТИКИ ИЗДЕЛИЙ
WS-6613 / WS-6615 / WS-6615X**

Диаметр полотна	190 мм
<i>(Пользуйтесь полотнами только этого диаметра)</i>	
Заточка	30 мм
Максимальная толщина полотна	2,2 мм
Максимальная возможность резки	
под 0 градусов	66 мм
под 45 градусов	50 мм
Частота	50 Гц
Напряжение	110 В, 230 В
	переменного тока
Поглощенная мощность	
WS-6613	1300 Вт
WS-6615 / WS-6615X	1500 Вт
Скорость вращения в холостую	
WS-6613	4600 об/мин
WS-6615 / WS-6615X	5500 об/мин
Вес нетто	
WS-6613 / WS-6615X	5,1 кг
WS-6615	5,3 кг

СТАНДАРТНЫЕ АКСЕССУАРЫ

Полотно, сопло для пыли, сервисный ключ.

НАЗНАЧЕНИЕ

Резка дерева.

УРОВЕНЬ ШУМА

На рабочем месте уровень шума (или уровень акустического давления) может превышать 85 дБ. В этом случае пользователь должен принять меры по звукоизоляции и защите слуха.

СБОРКА

ПЕРЕД УСТАНОВКОЙ И СНЯТИЕМ ПОЛОТНА ОТКЛЮЧАЙТЕ ИНСТРУМЕНТ ИЗ СЕТИ. ЗУБЬЯ ПОЛОТНА ДОЛЖНЫ СМОТРЕТЬ ВВЕРХ СПЕРЕДИ ИНСТРУМЕНТА.

УСТАНОВКА И СНЯТИЕ ПОЛОТНА (Рис. 2, 3, 4 и 5)**УСТАНОВКА ПОЛОТНА**

1. Нажав на кнопку блокировки вала (1), поверните винт полотна (2) сервисным ключом (3), чтобы вал заблокировался. (рис. 2)
2. Отвинтите винт полотна, поворачивая ключ влево, нажимая на кнопку блокировки вала. (рис. 2)
3. Снимите винт и внешнюю шайбу полотна (4). (См. рис. 2)
4. Полностью заведите нижний защитный кожух (5) за его рычаг (6) под верхний защитный кожух (7). (См. рис. 3)
5. Установите полотно (8) на внутреннюю шайбу (9), расположенную на валу. Затем установите внешнюю шайбу и винт полотна. (рис. 3 и 4)
6. Нажмите на кнопку блокировки вала, затяните винт полотна, поворачивая его ключом вправо и одновременно нажимая на кнопку. (рис. 5)
7. Отпустите кнопку блокировки вала, затянув винт полотна.

СНЯТИЕ ПОЛОТНА

1. Нажав на кнопку блокировки вала, поверните винт полотна сервисным ключом, чтобы вал заблокировался.
2. Отвинтите винт полотна, поворачивая его сервисным ключом влево, одновременно нажимая на кнопку блокировки вала.
3. Снимите винт полотна и его внешнюю шайбу.
4. Полностью заведите нижний защитный кожух под верхний защитный кожух и снимите полотно.

**РЕГУЛИРОВКА РАЗДЕЛИТЕЛЬНОГО
НОЖА (рис. 6)****ПРЕДУПРЕЖДЕНИЕ!**

Не пользуйтесь полотнами с корпусом или зубьями тоньше разделительного ножа.

1. Проверьте, чтобы разделительный нож был настроен так, чтобы (рис. 6):
 - A. расстояние между разделительным ножом (11) и зубьями полотна было меньше 5 мм,
 - B. зубья полотна не выступали за нижний край разделительного ножа более чем на 5 мм.
2. При резке необходимо всегда пользоваться разделительным ножом кроме случая резки с погружением полотна в центр заготовки.

РЕГУЛИРОВКА ГЛУБИНЫ РЕЗКИ (рис. 7А, В, 8, 9)

1. Чтобы отрегулировать глубину резки, отвинтите кнопку блокировки глубины резки (12). (Рис. 7А)
2. Сдвиньте подошву (13) с помощью лапки регулировки глубины резки (21) на нужную глубину и крепко затяните кнопку. (См. рис. 7В)
3. Глубина резки (14) может быть выставлена по шкале глубины (15) или замерив расстояние, на которое полотно выступает за подошву. (рис. 8 и 9)

РЕГУЛИРОВКА НАКЛОНА РЕЗКИ (рис. 10А, В)

1. Угол наклона резки может быть отрегулирован от 0 до 45 градусов. (рис. 10А)
2. Отвинтите кнопку регулировки наклона (16) спереди инструмента и выставьте подошву на нужный Вам угол по шкале наклона (17). (См. рис. 10В)
3. Выставив угол наклона, крепко затяните кнопку регулировки наклона.

КУРОК (рис. 11)

Чтобы включить или выключить инструмент, нажмите или отпустите курок (18). Во избежание случайного запуска инструмента, курок работает только когда нажата кнопка безопасности (19). Кнопку безопасности можно нажать большим пальцем, а курок другими. Кнопку безопасности не надо постоянно держать нажатой после того как Вы нажали на курок.

ИСПОЛЬЗОВАНИЕ (рис. 12)**ОСТОРОЖНО!**

ПРИ РАБОТЕ С ИНСТРУМЕНТОМ ДЕРЖИТЕ РУКИ ПОДАЛЬШЕ ОТ ЗОНЫ РАБОТЫ. ДЕРЖИТЕ СЕТЕВОЙ ШНУР ПОДАЛЬШЕ ОТ ЗОНЫ РЕЗКИ И РАСПОЛАГАЙТЕ ЕГО ТАК, ЧТОБЫ ОН НЕ ПОПАЛ В ЗАГОТОВКУ ВО ВРЕМЯ РАБОТЫ.

Во время резки нажмите на курок и равномерно продвигайте пилу, чтобы получить ровный разрез. **НЕ ФОРСИРУЙТЕ ПИЛУ.** Скорость резки должна соответствовать типу заготовки. (Если заготовка жесткая, режьте ее медленнее). Во избежание перегрузки мотора, чаще проверяйте полотно, меняйте его или затачивайте, если оно затупилось.

РЕЗКА (рис. 13 А, В)

Когда Вы режете пилой вертикально, используйте точку "А" на направляющей риске подошвы (20) и следуйте пилой линии размеченной на заготовке карандашом. Когда Вы режете пилой под 45 градусов, используйте точку "В". Эта направляющая риска приблизительно показывает линию резки. Сделайте пробную резку на отходах материала, чтобы определить точную линию резки.

**ПРЕДОСТЕРЕЖЕНИЕ!**

При пользовании направляющей параллельной резки, она должна еле касаться края заготовки. Не форсируйте.

ОБСЛУЖИВАНИЕ

После работы проверяйте исправное состояние инструмента.

Мы советуем сдавать инструмент не реже раза в год в Центр Технического Обслуживания Ryobi для полной смазки и чистки.

ВО ВРЕМЯ РАБОТЫ МОТОРА НЕ ПРОИЗВОДИТЕ НИКАКИХ РЕГУЛИРОВОК.

ПЕРЕД СМЕНОЙ АКСЕССУАРОВ ИЛИ ИЗНАШИВАЕМЫХ ДЕТАЛЕЙ (ПОЛОТНА, НАСАДКИ, АБРАЗИВНОЙ БУМАГИ И Т.Д.) А ТАКЖЕ ПЕРЕД СМАЗКОЙ ИЛИ МАНИПУЛЯЦИЕЙ ИНСТРУМЕНТОМ ВСЕГДА ОТКЛЮЧАЙТЕ СЕТЕВОЙ ШНУР.

УБЕДИТЕСЬ, ЧТО РУЧКИ ИНСТРУМЕНТА ЧИСТЫЕ, ЧТО НА НИХ НЕТ МАСЛА И ЖИРА.

**ПРЕДУПРЕЖДЕНИЕ!**

Для большей безопасности и надежности все ремонтные работы должны производиться в Центре Технического Обслуживания Ryobi.

ХРАНИТЕ НАСТОЯЩЕЕ РУКОВОДСТВО ДЛЯ БУДУЩИХ КОНСУЛЬТАЦИЙ.

ГАРАНТИЯ

Настоящая продукция RYOBI гарантирована от дефектов производства и дефектов изделий на 2 года со дня официального оформления покупки, указанного на оригинале счета, выписанного продавцом покупателю.

Повреждения, полученные в результате обычного износа, ненормального или запрещенного использования или обслуживания, а также перегрузкой, – не покрываются настоящей гарантией, также как и аксессуары, такие как батареи, лампочки, цокли, патроны, мешки и т.д.

В случае поломки или неисправности в гарантийный период отшлите продукцию **НЕРАЗОБРАННОЙ** с подтверждением покупки Вашему продавцу или в ближайший Официальный Центр Обслуживания продукции Ryobi.

Настоящая гарантия не влияет на Ваши законные права, по отношению к дефектной продукции.

ЗАЩИТА ОКРУЖАЮЩЕЙ СРЕДЫ

Не выбрасывайте сырье. Защищайте окружающую среду: сортируйте отходы и сдавайте использованные инструменты, аксессуары и упаковки в переработку.

MĂSURI DE SIGURANȚĂ GENERALE



AVERTISMENT

Citiți toate instrucțiunile. Nerespectarea acestor măsuri ar putea provoca accidente cum ar fi incendii, electrocutare și/sau răniri corporale grave. Termenul "mașină electrică" utilizat în măsurile de siguranță de mai jos se referă atât la mașinile electrice care se conectează la priză, cât și la mașinile electrice fără fir.

PĂSTRAȚI ACESTE INSTRUCȚIUNI.

MEDIUL DE LUCRU

- **Aveți grijă ca locul de muncă să fie tot timpul curat și bine iluminat.** Spațiile înghesuite și întunecate sunt propice accidentelor.
- Nu utilizați mașini electrice într-un mediu exploziv, în apropiere de lichide inflamabile, gaz sau în prezența prafului. Scântelele provenite de la mașinile electrice le pot incendia și provoca o explozie.
- Țineți copiii și vizitatorii la distanță de locul de muncă atunci când folosiți o mașină electrică. Aceștia ar putea să vă distragă atenția și să pierdeți controlul mașinii.

SIGURANȚA ELECTRICĂ

- **Ștecherul mașinii electrice trebuie să fie adaptat la priză.** Nu modificați niciodată ștecherul. Nu folosiți niciodată adaptoare cu mașinile electrice cu împământare sau cu contact la masă. Evitați astfel riscurile de electrocutare.
- **Evitați contactul cu suprafețe care au împământare sau fac masă (țevi, calorifere, aragaz, frigider etc.).** Riscul de electrocutare crește dacă o parte a corpului dumneavoastră este în contact cu o suprafață care are împământare sau face masă.
- **Nu expuneți o mașină electrică la ploaie sau la umiditate.** Riscul de electrocutare crește dacă apa intră în mașina electrică.
- **Păstrați cablul de alimentare în bună stare.** Nu țineți niciodată aparatul de cablul de alimentare și nu trageți de cablu ca să îl scoateți din priză. Țineți cablul de alimentare departe de sursele de căldură, să nu intre în contact cu ulei, cu obiecte tăioase și cu elemente în mișcare. Riscul de electrocutare crește dacă cablul este deteriorat sau încurcat.
- **Atunci când lucrați afară, utilizați numai prelungitoare pentru exterior.** Evitați astfel riscurile de electrocutare.

SIGURANȚA PERSONALĂ

- **Fiți vigilent, priviți cu atenție ceea ce faceți și utilizați mașinile electrice cu discernământ.** Nu utilizați mașina electrică dacă sunteți obosit, ați băut alcool sau ați consumat droguri, sau dacă luați medicamente. Nu uitați niciodată că o secundă de neatenție este suficientă pentru a vă răni foarte grav.
- **Purtați un echipament de protecție adecvat. Protejați-vă întotdeauna ochii.** În funcție de condiții, purtați și o mască antipraf, încălțăminte anti-derapantă, o cască sau protecții auditive pentru a evita riscurile de răniri corporale grave.
- **Evitați orice pornire involuntară.** Asigurați-vă că întrerupătorul este în poziția "oprit" înainte de a conecta aparatul. Pentru a evita riscurile de accident, nu deplasați niciodată mașina ținând degetul pe trăgaci și nu o conectați la priză dacă întrerupătorul este în poziția "pornit".
- **Scoateți cheile de strângere înainte de a porni mașina.** O cheie de strângere care a rămas prinsă de un element mobil al aparatului poate provoca răniri corporale grave.
- **Țineți-vă bine pe picioare și nu întindeți brațul prea departe.** O poziție de lucru stabilă vă permite să controlați mai bine mașina în cazul unor evenimente neașteptate.
- **Purtați îmbrăcăminte adecvată.** Nu purtați haine largi sau bijuterii. Aveți grijă să vă țineți la distanță de piesele mobile părul, îmbrăcămintea și mâinile. Hainele largi, bijuteriile și părul lung se pot agăța în elementele mobile.
- **Dacă mașina este livrată cu un sistem de aspirație a prafului, aveți grijă ca acesta să fie instalat și utilizat corect.** Veți evita astfel riscurile de rănire legate de inhalarea de prafuri nocive.

UTILIZAREA ȘI ÎNTREȚINEREA MAȘINILOR CARE SE CONECTEAZĂ LA PRIZĂ

- **Nu forțați mașina. Utilizați aparate adaptate lucrului pe care doriți să-l faceți.** Mașina dumneavoastră electrică va fi mai eficientă și mai sigură dacă o utilizați în regimul pentru care a fost concepută.
- **Nu utilizați o mașină electrică dacă întrerupătorul nu permite pornirea și oprirea acesteia.** Un aparat care nu poate fi pornit și oprit corect este periculos și trebuie să fie obligatoriu reparat.
- **Scoateți mașina din priză înainte de a efectua reglaje, de a schimba accesoriile sau de a o depozita.** Veți reduce astfel riscurile de pornire involuntară a mașinii.

MĂSURI DE SIGURANȚĂ GENERALE

- **Nu lăsați mașinile electrice la îndemâna copiilor.** Nu lăsați persoane care nu sunt familiarizate cu mașina sau care nu au luat la cunoștință aceste măsuri de siguranță să folosească mașina. Mașinile sunt periculoase în mâna persoanelor fără experiență.
- **Întrețineți cu grijă mașinile.** Controlați alinierea pieselor mobile. Verificați că nici o piesă nu este spartă. Controlați montarea și toate celelalte elemente ce ar putea afecta funcționarea aparatului. Dacă există piese defecte, reparați mașina înainte de a o utiliza. Numeroase accidente se produc din cauza unei întrețineri necorespunzătoare a mașinilor.
- **Păstrați-vă sculele curate și bine ascuțite.** Dacă lama mașinii de tăiat este bine ascuțită și curată, se reduce riscul ca aceasta să se blocheze și astfel puteți păstra mai bine controlul mașinii.
- **Respectați aceste măsuri de siguranță atunci când folosiți mașina, accesoriile, vârfurile etc. ținând cont de specificul mașinii dumneavoastră, de spațiul de lucru și de operațiunile de efectuat.** Pentru a evita situațiile periculoase, folosiți mașina numai pentru lucrările pentru care a fost concepută.

REPARAȚII

- **Orice reparație trebuie să fie efectuată de către un tehnician calificat, utilizând numai piese de schimb originale.** Veți putea astfel să vă utilizați mașina electrică în deplină siguranță.

MĂSURI DE SIGURANȚĂ SPECIFICE FERĂSTRAIELOR CIRCULARE

- **Mentineți-vă mâinile la distanță de zona de tăiere și de lamă.** Mâna care nu ține mânerul principal al aparatului trebuie să țină mânerul auxiliar sau să fie așezată pe carcasa motorului. Astfel, mâinile dumneavoastră nu riscă să se găsească în zona de tăiere sau pe traiectoria lamei.
- **Nu vă treceți mâinile pe sub piesa de prelucrat, deoarece apărătoarea lamei nu acoperă lama sub piesa de prelucrat.**
- **Reglați adâncimea de tăiere în funcție de grosimea piesei de prelucrat.** Dinții lamei nu trebuie să depășească în întregime pe sub piesa de prelucrare în timpul tăierii.
- **Nu țineți NICIODATĂ piesa de prelucrat cu mâna sau între picioare.** Fixați-o pe un suport stabil. Este primordial să fixați corect piesa de prelucrat pentru a nu vă expune riscurilor de rănire și pentru a nu îndoi lama sau a pierde controlul tăierii.

- **Atunci când tăiați într-o suprafață ce poate ascunde fire electrice, țineți mașina numai de părțile izolate.** Un contact cu firele sub tensiune poate transmite curentul spre părțile metalice și provoacă electrocutarea.
- **Utilizați întotdeauna un ghid de tăiere paralel sau o riglă atunci când efectuați o tăiere paralelă.** Precizia tăierii va fi mai bună și veți evita să îndoiți lama.
- **Utilizați întotdeauna lame de mărimea și forma adaptate la diametrul axului.** Lamele neadaptate la axul pe care trebuie să fie montate nu se vor roti corect și vor duce la o pierdere a controlului.
- **Nu utilizați niciodată șuruburi sau flanșe de lamă defecte sau inadaptate.** Flanșele și șuruburile de lamă au fost concepute special pentru modelul de ferăstrău, pentru o siguranță și o performanță optime.
- **Înainte de fiecare utilizare, verificați dacă apărătoarea inferioară a lamei acoperă corect lama.** Nu utilizați ferăstrăul dacă apărătoarea inferioară a lamei nu poate fi acționată liber și dacă nu se rabatează instantaneu peste lamă. Nu fixați și nu prindeți niciodată apărătoarea inferioară a lamei în poziție deschisă.

Dacă ferăstrăul ar cădea din greșeală, apărătoarea inferioară a lamei s-ar putea îndoi. Ridicați apărătoarea inferioară a lamei cu ajutorul manetei și asigurați-vă că aceasta poate fi manipulată fără dificultate și că nu atinge nici lama, nici o altă piesă diferent de unghiul și de adâncimea de tăiere alese.

- **Asigurați-vă că resortul apărătoarei inferioare a lamei este în stare bună și funcționează corect.** Dacă apărătoarea lamei sau resortul nu funcționează corect, duceți-le la reparat sau la înlocuit înainte de a utiliza ferăstrăul. Mișcarea apărătoarei inferioare a lamei poate fi frânată de piese deteriorate, de o depunere de rășină sau de o acumulare de rumeguș.
- **Apărătoarea lamei nu trebuie așezată în poziție manual decât pentru tăierile particulare cum ar fi tăierile în interiorul materialului sau tăierile duble.** Ridicați apărătoarea inferioară a lamei cu ajutorul mânerului. Apoi, de îndată ce lama intră în piesa de prelucrat, eliberați apărătoarea inferioară a lamei. Pentru toate celelalte tipuri de tăieri, apărătoarea inferioară a lamei se așează în poziție automat.
- **Verificați întotdeauna că apărătoarea inferioară a lamei acoperă bine lama înainte de a așeza ferăstrăul pe un banc de lucru sau pe sol.** Dacă lama nu este acoperită corect, ea se poate roti din inerție și să taie ce se găsește pe traiectoria ei. Țineți cont de timpul necesar pentru ca lama să se oprească după oprirea motorului.

MĂSURI DE SIGURANȚĂ SPECIFICE FERĂSTRAIELOR CIRCULARE

- Nu utilizați lame deteriorate sau deformatate.
- Nu utilizați lame din oțel rapid.
- Nu utilizați lame ale căror caracteristici nu corespund celor specificate în acest manual.
- Nu opriți lama apăsând în lateral pe corpul lamei.
- Asigurați-vă că apărătorile lamei funcționează liber, fără să se blocheze.
- Nu blocați apărătoarea inferioară a lamei în poziție deschisă.
- Asigurați-vă că mecanismul care permite apărătorii lamei să se rabată funcționează corect.

MĂSURI DE SIGURANȚĂ SPECIFICE FERĂSTRAIE- LOR CIRCULARE ECHIPATE CU UN CUȚIT DIVI- ZOR

- Utilizați un cuțit divizor adecvat tipului de lamă folosit. Cuțitul divizor trebuie să fie mai gros decât corpul lamei dar mai fin decât dantura lamei.
- Utilizați cuțitul divizor respectând instrucțiunile din acest manual. Dacă cuțitul divizor nu este poziționat sau aliniat corect, el nu va permite prevenirea eficientă a reculurilor.
- Cuțitul divizor poate constitui un obstacol în timpul unei tăieri în interiorul materialului și poate provoca un recul.
- Cuțitul divizor este așezat corect atunci când este în contact cu piesa de prelucrat. Cuțitul divizor nu permite evitarea reculurilor în timpul tăierilor scurte.
- Nu utilizați ferăstrăul dacă cuțitul divizor este îndoit. Este suficient ca acesta să se frece ușor de apărătoarea inferioară a lamei pentru a-i împiedica coborârea.

CAUZELE RECULURILOR

- Reculul este o reacție bruscă, care se produce atunci când lama se agață, se îndoaie sau dacă este aliniată incorect: ferăstrăul se eliberează brusc din piesa de prelucrat și sare violent înapoi în direcția utilizatorului.
- Atunci când lama se agață în lemn, lama se blochează și motorul, care continuă să se rotească, proiectează ferăstrăul în sens opus sensului de rotație al lamei, adică spre utilizator.
- Dacă lama se îndoaie sau este aliniată incorect, dinții situați în partea din spate a lamei riscă să intre în suprafața lemnului, ceea ce va face ca lama să iasă brusc din piesa de prelucrat în direcția utilizatorului.

- Reculul este deci rezultatul unei utilizări incorecte a aparatului și/sau a procedurilor sau a condițiilor de tăiere incorecte. El poate fi evitat prin respectarea câtorva precauții.

PREVENIREA RECULURILOR

- **Țineți bine ferăstrăul cu ambele mâini și poziționați-vă brațele astfel încât să puteți controla un eventual recul.** Așezați-vă într-o parte a ferăstrăului atunci când lucrați, nu stați niciodată pe direcția lamei. Reculul proiectează brusc ferăstrăul în spate, dar această mișcare poate fi controlată dacă utilizatorul se așteaptă la ea și se pregătește.
- **Dacă lama se blochează, sau dacă trebuie să întrerupeți tăierea din orice motiv, eliberați trăgaciul și mențineți ferăstrăul în piesa de prelucrat până când lama se oprește complet din rotație.** Nu încercați niciodată să scoateți ferăstrăul din piesa de prelucrat sau să-l trageți în spate atât timp cât lama este încă în rotație: acest lucru riscă să producă un recul. Dacă lama se agață, căutați cauza și luați măsurile necesare pentru ca acest lucru să nu se mai repete.
- **Înainte de a reporni ferăstrăul pentru a continua tăierea, aliniați corect lama cu traseul de tăiere și verificați că dinții lamei nu ating piesa de prelucrat.** Dacă lama este înțepenită în piesa de prelucrat, la pornirea ferăstrăului există riscul să se producă un recul.
- **Aveți grijă să susțineți piesele de prelucrat lungi pentru a evita ca lama să se agațe și a limita astfel riscurile de reculuri.** Piesele de prelucrat lungi au tendința să se îndoaie sub propria lor greutate. Puteți așeza suporturi pe ambele părți ale piesei de prelucrat, aproape de linia de tăiere și la nivelul capetelor piesei.
- **Nu utilizați lame tocite sau deteriorate.** Lamele care nu sunt ascuțite sau sunt montate necorespunzător vor produce un traseu de tăiere care va duce la o frecare excesivă a lamei și deci la riscuri mai mari de îndoire sau de recul.
- **Înainte de a începe o tăiere, verificați dacă butoanele de reglare a adâncimii și a înclinării sunt blocate corect.** Dacă reglările poziției lamei se modifică în timpul tăierii, lama riscă să se agațe și se poate produce un recul.
- **Fiți deosebit de prudent atunci când efectuați tăieri în interiorul materialului în pereți sau în alte suprafețe oarbe.** Lama ar putea lovi elemente ascunse, ceea ce ar provoca un recul.

DESCRIERE

1. Buton De Blocare A Axului
2. Șurub de lamă (hexagonal)
3. Cheie de serviciu
4. Flanșa exterioară a lamei
5. Protecția inferioară a lamei
6. Levier Al Protecției Inferioare A Lamei
7. Protecția superioară a lamei
8. Lamă
9. Flanșa interioară a lamei
10. Gură de evacuare a prafului
11. Cuțit divizor
12. Buton de blocare a adâncimii de tăiere
13. Talpă
14. Adâncime de tăiere
15. Scală de adâncime
16. Buton De Reglaj Al Înclinării
17. Scală de înclinare
18. Buton de pornire
19. Buton de siguranță
20. Crestătura de ghidaj
21. Șurub de reglaj al adâncimii de tăiere

**CARACTERISTICILE PRODUSULUI
WS-6613 / WS-6615 / WS-6615X**

Diametrul lamei	190 mm
<i>(Utilizați numai lame de acest diametru)</i>	
Alezajul	30 mm
Grosimea maximă a corpului lamei	2.2 mm
Capacitate de tăiere	
la 0 grade	66 mm
la 45 grade	50 mm
Frecvență	50Hz
Tensiune	110 V, 230 V AC
Putere absorbită	
WS-6613	1300 W
WS-6615 / WS-6615X	1500 W
Viteza în gol	
WS-6613	4600/min
WS-6615 / WS-6615X	5500/min
Greutate netă	
WS-6613 / WS-6615X	5.1 kg
WS-6615	5.3 kg

ACCESORII STANDARD

Lame, duză de praf, cheie de serviciu.

APLICAȚII

Tăiere în lemn.

EXPUNERE LA ZGOMOT

Zgomotul (sau nivelul de presiune acustică) la locul de muncă poate depăși 85 dB. În acest caz, utilizatorul trebuie să aplice măsuri de izolare acustică și de protecție a auzului.

MONTAJ

AVEȚI GRIJĂ SĂ DEBRANȘAȚI UTILAJUL ÎNAINTE DE A MONTA SAU DEMONTA LAMA FIERĂSTRĂULUI. AVEȚI GRIJĂ CA DINȚII LAMEI SĂ FIE ORIENTAȚI ÎN SUS ÎN FAȚA MAȘINII.

**MONTAREA ȘI DEMONTAREA LAMEI
(FIGURES 2, 3, 4 ȘI 5)****MONTAJ**

1. Apăsând pe butonul de blocare a axului (1), învârtiți șurubul lamei (2) cu cheia de serviciu (3) până ce axul se blochează. (Fig. 2)
2. Slăbiți șurubul lamei deșurubând spre stânga. (Fig. 2)
3. Scoateți șurubul hexagonal și flanșa exterioară a lamei (4). (Fig. 2)
4. Ridicați complet protecția inferioară a lamei (5) cu ajutorul levierului său (6) sub protecția superioară a lamei (7). (Fig. 3)
5. Apoi instalați lama (8) contra flanșei interioare a lamei (9) situată pe axul motor. Montați apoi flanșa exterioară și șurubul lamei. (Fig. 3 și 4)
6. Apăsând din nou pe butonul de blocare a axului, strângeți șurubul lamei spre dreapta ținând apăsat butonul de blocare. (Fig. 5)
7. Odată ce șurubul lamei a fost bine strâns, lăsați liber butonul de blocare a axului și verificați că lama se învâрте ușor.

DEMONTAREA LAMEI

1. Apăsând pe butonul de blocare a axului, învârtiți șurubul lamei cu cheia de serviciu până ce axul se blochează.
2. Slăbiți șurubul lamei deșurubând spre stânga.
3. Scoateți șurubul hexagonal și flanșa exterioară a lamei.
4. Ridicați complet protecția inferioară a lamei cu ajutorul levierului său sub protecția superioară a lamei și apoi scoateți lama.

REGLAJUL CUȚITULUI DIVIZOR (FIG. 6)**AVERTISMENT!**

Nu utilizați lame de fierăstrău al căror corp este mai gros sau dantura mai îngustă decât grosimea cuțitului divizor.

- Asigurați-vă că cuțitul divizor este reglat în așa fel încât (Fig. 6):
 - distanța între cuțitul divizor (11) și dantura lamei să fie mai mică de 5 mm.
 - dantura să nu depășească de mai mult de 5 mm bordul inferior al cuțitului divizor.
- Cuțitul divizor trebuie utilizat întotdeauna cu excepția tăierii directe în centrul piesei de prelucrat.

REGLAJUL ADÂNCIMII DE TĂIERE (FIG. 7A, B, 8, 9)

- Pentru reglajul adâncimii de tăiere, slăbiți șurubul de blocare a adâncimii de tăiere (12). (Fig. 7A)
- Faceți să alunece talpa (13) cu ajutorul manetei de reglaj al adâncimii de tăiere (21) la adâncimea dorită și strângeți bine șurubul de blocare. (Fig. 7B)
- Adâncimea de tăiere (14) se poate citi pe scala de adâncime (15) sau măsurând distanța cu care lama depășește talpa. (Fig. 8 și 9)

REGLAJUL UNGHIIULUI DE TĂIERE (FIG. 10A, B)

- Unghiul de tăiere poate fi reglat în orice poziție între 0° până la 45°. (Fig. 10A)
- Slăbiți șurubul de reglaj al înclinării (16) situat în fața mașinii și poziționați talpa la unghiul dorit citind pe scala de înclinare (17). (Fig. 10B)
- După ce ați reglat unghiul, aveți grijă să strângeți bine șurubul de reglaj al înclinării.

TRĂGACI (FIG. 11)

Pentru a porni sau opri utilajul, apăsați sau relaxați trăgaciul (18). Pentru a evita pornirea involuntară a mașinii, trăgaciul nu funcționează decât atunci când butonul de siguranță (19) este apăsat. Butonul de siguranță se apasă cu degetul mare ceea ce permite utilizarea celorlalte degete pentru a apăsa pe trăgaci. Nu este necesar să continuați să apăsați pe butonul de siguranță odată ce mașina a pornit.

UTILIZARE (FIG. 12)**PERICOLI**

ȚINEȚI MĂINILE DEPARTE DE ZONA DE TĂIERE ȘI DE LAMĂ. ȚINEȚI CABLUL DE ALIMENTARE DEPARTE DE ZONA DE TĂIERE ȘI ARANJAȚI-L ÎN AȘA FEL ÎNCÂT SĂ NU SE PRINDĂ ÎN PIESA DE PRELUCRAT ÎN TIMPUL TĂIERI.

În timp ce tăiați, apăsați și împingeți ferm și regulat pe fierăstrău (**NU FORȚAȚI**) pentru a obține o tăiere

uniformă. Viteza de tăiere trebuie adaptată în funcție de piesă. (Tăiați lent dacă piesa este tare.) Verificați frecvența lamei și schimbați-o sau ascuțiți-o dacă este tocită, pentru a evita supraîncălzirea motorului.

PENTRU A TĂIA (Fig. 13 A, 13B)

Când tăiați cu lama verticală, utilizați ca ghidaj punctul "A" de crestătură de pe talpă (20) și urmăriți linia de ghidaj pe care ați trasat-o mai înainte cu creionul. Dacă tăiați la 45°, utilizați crestătura "B". Această crestătură de ghidaj indică aproximativ linia de tăiere. Efectuați a tăiere de probă într-un rest de lemn pentru a determina adevărata linie de tăiere.

**ATENȚIONARE!**

Când utilizați un ghid paralel, acesta trebuie să atingă lejer marginea piesei. Nu forțați.

ÎNȚEȚINERE

După utilizare, asigurați-vă vizual că mașina este în bună stare de funcționare.

Este recomandat să aduceți utilajul o dată pe an la un Centru Service Agreat Ryobi pentru ungere și curățare completă.

NU EFECTUAȚI NICI UN REGLAJ CÂND MOTORUL ESTE ÎN MIȘCARE.

AVEȚI GRIJĂ SĂ DEBRANȘAȚI CORDONUL DE ALIMENTARE ÎNAINTE DE A SCHIMBA ACCESORII SAU PIESE DE UZURĂ (LAME, ETC.), ÎNAINTE DE A UNGE SAU DE A MANIPULA UTILAJUL. ASIGURAȚI-VĂ CĂ MĂNERELE SUNT CURATE (FĂRĂ ULEI SAU GRĂSIME).

**AVERTISMENT!**

Pentru mai multă siguranță și fiabilitate, toate reparațiile trebuie efectuate de către un Centru Service Agreat Ryobi.

PĂSTRAȚI ACESTE INSTRUCȚIUNI PENTRU A PUTEA LE UTILIZA ULTERIOR.

GARANȚIE

Acest produs Ryobi este garantat în cazul viciilor de fabricație și pieselor cu defecte pentru o durată de douăzecișipatru (24) de luni, începând cu data facturii originale emisă de către comerciant utilizatorului final.

Deteriorările provocate prin uzură normală, printr-o utilizare sau întreținere anormală sau neautorizată, sau prin forțarea utilajului sunt excluse din prezenta garanție acestea aplicându-se și accesoriilor ca baterii, becuri, lame, capete, saci, etc.

În caz de funcționare defectuoasă în perioada de garanție, vă rugăm să trimiteți produsul **NEDEMONTAT** împreună cu factura de cumpărare furnizorului dumneavoastră sau la Centrul Service Agreat Ryobi cel mai apropiat de dumneavoastră.

Drepturile dumneavoastră legale privind produsele defectuase nu sunt alterate prin prezenta garanție.

PROTECȚIA MEDIULUI ÎNCONJURĂTOR

Reciclați materiile prime în loc să le aruncați la gunoi. Pentru a respecta mediul înconjurător, triați-vă deșeurile și puneți aparatul uzat, accesoriile și ambalajele în containerele speciale sau duceți-le la organisme abilitate pentru reciclarea lor.

OGÓLNE WYMAGANIA BHP



OSTRZEŻENIE

Przeczytajcie wszystkie instrukcje. Nie przestrzeganie przedstawionych niżej zaleceń mogłoby pociągnąć za sobą wypadki takie jak pożary, porażenia prądem elektrycznym i /lub poważne obrażenia ciała. Wyrażenie "elektronarzędzie" używane w poniższych przepisach bezpieczeństwa oznacza zarówno elektronarzędzia przewodowe jak i elektronarzędzia bezprzewodowe (akumulatorowe).

PRZECHOWUJĄCIE NINIEJSZĄ INSTRUKCJĘ.

OTOCZENIE ROBOCZE

- **Dopilnujcie, aby wasza przestrzeń robocza była czysta i dobrze oświetlona.** Przechowanie zagrażone i ciemne są źródłem wypadków.
- **Nie używajcie elektronarzędzi w otoczeniu wybuchowym, na przykład w pobliżu płynów łatwopalnych, gazu, pyłów.** Iskry wytworzone przez elektronarzędzia mogłyby doprowadzić do ich zapalenia czy wybuchu.
- **Kiedy używacie elektronarzędzi, trzymajcie z dala dzieci i osoby postronne.** Mogłyby one odwrócić waszą uwagę i spowodować utratę kontroli nad narzędziem.

BEZPIECZEŃSTWO ELEKTRYCZNE

- **Wtyczka elektronarzędzia musi być dostosowana do gniazda.** Nigdy nie dokonujcie interwencji na wtyczce. Nigdy nie używajcie adaptatora z elektronarzędziami uziemnionymi lub połączonymi z korpusem. W ten sposób unikniecie ryzyka porażenia prądem.
- **Unikajcie wszelkiego kontaktu z powierzchniami uziemnionymi lub połączonymi z korpusem (takimi jak: przewody, grzejniki, kuchenki, lodówki, itd.).** Ryzyko porażenia prądem elektrycznym wzrasta, kiedy jakaś część waszego ciała styka się z powierzchniami uziemnionymi lub połączonymi z korpusem.
- **Nie wystawiajcie waszego elektronarzędzia na deszcz czy wilgoć.** Ryzyko porażenia prądem elektrycznym wzrasta, jeżeli woda wnika do elektronarzędzia.
- **Przewód zasilający należy utrzymywać w dobrym stanie.** Nie trzymajcie nigdy narzędzia za przewód zasilający i nigdy nie ciągnijcie za przewód zasilający w celu wyłączenia narzędzia. Trzymajcie przewód zasilający z dala od wszelkiego źródła ciepła, oleju czy wszelkich ostrych przedmiotów i poruszających się części.

Ryzyko porażenia prądem elektrycznym wzrasta, jeżeli przewód jest uszkodzony lub zaplątany.

- **Kiedy pracujecie na zewnątrz (w plenerze), używajcie wyłącznie przedłużaczy przewidzianych do użytku na zewnątrz.** W ten sposób unikniecie ryzyka porażenia prądem.

BEZPIECZEŃSTWO OSOBISTE

- **Podczas użytkowania elektronarzędzia, zachowajcie czujność, patrzcie uważnie na to co robicie i odwołujcie się do zdrowego rozsądku.** Nie używajcie waszego narzędzia, kiedy jesteście zmęczeni, pod wpływem alkoholu, narkotyków czy leków. Nigdy nie zapomnijcie, że wystarczy ułamek sekundy nieuwagi, aby doszło do poważnego zranienia.
- **Noście odpowiednie wyposażenie ochronne. Należy zawsze chronić oczy.** Aby uniknąć ryzyka poważnych obrażeń ciała, w zależności od warunków pracy zakładajcie maskę przeciwpyłową, obuwie przeciwpoślizgowe, kask lub ochrony słuchowe.
- **Unikajcie przypadkowego włączenia.** Przed podłączeniem waszego narzędzia, upewnijcie się czy wyłącznik jest na "zatrzymane". Aby uniknąć ryzyka wypadków, nie przenoście waszego narzędzia trzymając palec na włączniku i nie podłączajcie go, kiedy wyłącznik jest w pozycji "włączone".
- **Wyjmijcie klucze zaciskowe przed uruchomieniem waszego narzędzia.** Klucz zaciskowy, który pozostaje przyczepiony do ruchomej części narzędzia może spowodować poważne obrażenia ciała.
- **Opierajcie się dobrze na waszych nogach i nie wyciągajcie ramię zbyt daleko.** W razie nieprzewidzianego wydarzenia, stabilna pozycja przy pracy umożliwi lepsze panowanie nad narzędziem.
- **Noście odpowiednie ubrania.** Nie noście luźnych ubrań, czy też biżuterii. Dopilnujcie by wasze włosy, ubrania i ręce były oddalone od ruchomych części. Luźne ubrania, biżuteria i długie włosy, mogą zostać pochwycone przez poruszające się części.
- **Jeżeli wasze narzędzie zostało dostarczone z systemem zasysania pyłu, dopilnujcie by był ono poprawnie zainstalowany i używany.** Możecie w ten sposób uniknąć ryzyka związanego z wdychaniem szkodliwych pyłów.

SPOSÓB UŻYCIA I KONSERWACJA NARZĘDZI PRZEWODOWYCH

- **Nie przeciążajcie narzędzia.** Należy używać narzędzia dostosowanego do prac, które chcecie wykonać. Wasze narzędzie będzie bardziej wydajne i pewne, jeżeli będziecie je używali w zakresie przewidzianych obciążeń.

OGÓLNE WYMAGANIA BHP

- **Nie używajcie waszego elektronarzędzia jeżeli wyłącznik nie pozwala na jego zatrzymanie i uruchomienie.** Narzędzie, które nie może być poprawnie włączone i wyłączone jest niebezpieczne i musi być obowiązkowo naprawione.
- **Przed przystąpieniem do regulowania, wymiany akcesoriów czy chowania narzędzia odłączcie je od źródła zasilania.** W ten sposób ograniczycie ryzyko przypadkowego uruchomienia narzędzia.
- **Narzędzia powinny być przechowywane poza zasięgiem dzieci.** Nie pozwalajcie używać narzędzia osobom, które go nie znają bądź nie zapoznały się z niniejszymi przepisami bezpieczeństwa. Narzędzia są niebezpieczne w rękach niedoświadczonych osób.
- **Konserwujcie starannie wasze narzędzia.** Sprawdźcie ustawienie ruchomych części. Sprawdźcie czy jakaś część nie jest zepsuta. Skontrolujcie montaż i wszelkie elementy, które mogłyby ujemnie wpłynąć na działanie narzędzia. Jeżeli jakieś części są uszkodzone, dajcie wasze narzędzie do naprawy zanim zaczniecie go używać. Przyczyną wielu wypadków była zła konserwacja narzędzi.
- **Zachowujcie wasze narzędzia zawsze naostrzone i czyste.** Jeżeli tarcza waszego narzędzia tnącego jest dobrze naostrzona i czysta, jest mniejsze ryzyko zablokowania i łatwiej zachować kontrolę nad narzędziem.
- **Przestrzegajcie niniejszych wymogów bezpieczeństwa, kiedy używacie tego narzędzia, akcesoriów, końcówek itd. biorąc pod uwagę specyfikę waszego urządzenia, przestrzeń roboczą i prace do wykonania.** Aby uniknąć niebezpiecznych sytuacji, nie używajcie waszego narzędzia do prac, do których nie było ono zaprojektowane.

NAPRAWY

- **Naprawy powinny być wykonywane przez wyspecjalizowanego technika i jedynie przy użyciu oryginalnych części zamiennych.** W ten sposób możecie bezpiecznie używać waszego elektronarzędzia.

WYMOGI BEZPIECZEŃSTWA SPECYFICZNE DLA PILAREK TARCZOWYCH

- **Wasze ręce powinny być oddalone od strefy cięcia i od tarczy.** Ręka, która nie trzyma głównego uchwytu narzędzia, powinna trzymać uchwyt pomocniczy lub opierać się na obudowie silnika. W ten sposób wasze ręce nie znajdą się w strefie cięcia, na torze tarczy.
- **Nie wkładajcie rąk pod obrabiany przedmiot, gdyż osłona tarczy nie pokrywa tarczy pod obrabianym przedmiotem.**

- **Wyregulujcie głębokość cięcia w zależności od grubości obrabianego przedmiotu.** Zęby tarczy nie powinny wystawać całkowicie pod obrabianym przedmiotem podczas cięcia.
- **NIGDY nie trzymajcie obrabianego przedmiotu ręką czy też między nogami.** Przymocujcie obrabiany przedmiot do stabilnego wspornika. Najważniejsze jest należyte zamocowanie przedmiotu do obróbki, tak by nie narazić się na ryzyko zranienia, nie zgiąć tarczy czy utracić kontrolę cięcia.
- **Kiedy piłujecie na powierzchni mogącej ukrywać przewody elektryczne, trzymajcie narzędzie wyłącznie za izolowane części.** Kontakt z przewodami pod napięciem mógłby przewieźć prąd do części metalowych i spowodować porażenie prądem elektrycznym.
- **Podczas wykonywania cięcia równoległego używajcie zawsze albo prowadnika cięcia równoległego albo prostej listwy.** Ulepszyście wtedy precyzję cięcia i unikniecie zgięcia tarczy.
- **Używajcie zawsze tarcz tnących o wymiarze i kształcie dostosowanych do otworu mocującego wrzeciona.** Tarcze tnące nie dostosowane do wrzeciona, na którym mają być zamontowane nie będą się obracały należycie i mogą spowodować utratę kontroli.
- **Nigdy nie używajcie śrub czy kołnierzy tarcz, które są zdefektowane lub niedostosowane.** Śruby i kołnierze tarcz zostały zaprojektowane specjalnie do waszego modelu pilarki z myślą o optymalnym bezpieczeństwie i osiągnięciach.
- **Przed każdym użyciem, należy sprawdzić czy wewnętrzna osłona tarczy, należyście zakrywa tarczę.** Nie używajcie waszej pilarki, jeżeli wewnętrzna osłona tarczy nie może być swobodnie uruchomiona i jeżeli nie opada natychmiast na tarczę. Nie należy mocować czy przyłączać dolnej osłony tarczy w pozycji otwartej. Gdyby pilarka przypadkowo spadła, wewnętrzna osłona tarczy mogłaby się zgiąć. Podnieście do góry dolną osłonę tarczy przy pomocy dźwigni i upewnijcie się, że można ją z łatwością manipulować i że nie dotyka ona ani tarczy ani żadnej innej części, bez względu na wybrany kąt i głębokość cięcia.
- **Upewnijcie się czy sprężyna wewnętrznej osłony tarczy jest poprawnie zainstalowana i czy jest w stanie sprawnym do działania.** Jeżeli osłona tarczy i sprężyna nie funkcjonują sprawnie, oddajcie je do naprawy lub wymiany przed użyciem pilarki. Ruch wewnętrznej osłony tarczy może być hamowany przez uszkodzone części, osad żywicy lub nagromadzenie trocin.

WYMOGI BEZPIECZEŃSTWA SPECYFICZNE DLA PILAREK TARCZOWYCH

- **Oslony tarczy nie należy mocować ręcznie, jedynie dla szczególnych cięć, przy wykonywaniu cięć zanurzeniowych czy podwójnych.** Podnieście wewnętrzną osłonę tarczy przy pomocy dźwigni. Następnie, gdy tylko tarcza wejdzie w obrabiany przedmiot, zwolnicie wewnętrzną osłonę tarczy. Do innych rodzajów cięcia, wewnętrzna osłona tarczy umiejscawia się automatycznie.
- **Przed położeniem waszej pilarki na stoliku warsztatowym czy na ziemi, należy sprawdzić czy wewnętrzna osłona tarczy, należy zakrywa tarczę.** Jeżeli tarcza nie jest należycie pokryta, może się obracać bezwładnościowo i ciąć to co znajduje się w jej torze cięcia. Weźcie pod uwagę czas, jakiego potrzebuje tarcza na zatrzymanie się po wyłączeniu silnika.
- Nie używajcie uszkodzonych lub zdeformowanych tarcz.
- Nie używajcie tarcz ze stali szybko tnącej.
- Nie używajcie tarcz, których charakterystyka nie odpowiada tej, którą sprecyzowano w niniejszym podręczniku.
- Nie zatrzymujcie tarczy naciskając z boku na korpus tarczy.
- Upewnijcie się, że osłony tarczy funkcjonują się swobodnie i nie klinują się.
- Nie należy blokować dolnej osłony tarczy w pozycji otwartej.
- Upewnijcie się, że mechanizm pozwalający osłonie tarczy opuścić się sprawnie działa.

WYMOGI BEZPIECZEŃSTWA SPECYFICZNE DLA PILAREK TARCZOWYCH Z KLINEM ROZDZIELCZYM

- Używajcie klina rozdzielczego dostosowanego do używanego typu tarczy. Klin rozdzielczy ma być grubszy od tarczy ale cieńszy od użębienie tarczy.
- Używajcie noża rozdzielczego zgodnie z instrukcjami tego podręcznika. Jeżeli nóż rozdzielczy nie poprawnie ustawiony czy zrównany, nie umożliwi on skutecznego zapobiegania odbiciom.
- Nóż rozdzielczy może stanowić przeszkodę podczas cięcia zanurzeniowego i być przyczyną odbicia.
- Klin rozdzielczy jest dobrze zamocowany, jeżeli styka się z przedmiotem do obróbki. Klin rozdzielczy nie pozwala uniknąć odbić podczas krótkich cięć.
- Nie używajcie waszej pilarki, jeżeli nóż rozdzielczy jest wygięty. Wystarczy że lekko się będzie ocierał o wewnętrzną osłonę tarczy by przeszkodzić w jej opuszczeniu.

PRZYCZYNY ODBIĆ

- Odbicie jest nagłą reakcją występującą podczas pochwylenia tarczy, jej wygięcia czy złego wyrównania: pilarka uwalnia się nagle z obrabianego przedmiotu i cofa się gwałtownie w kierunku użytkownika.
- Kiedy tarcza zostanie pochwycona w drewnie, przestaje się obracać a silnik dalej się obraca i odrzuca pilarkę w kierunku odwrotnym do kierunku obrotów tarczy, to znaczy w stronę użytkownika.
- Kiedy tarcza się wygina lub jest źle zrównana, zęby znajdujące się z tyłu tarczy mogą się zagłębić w drewnie, co spowoduje gwałtowny odrzut tarczy z obrabianego przedmiotu w kierunku użytkownika.
- **Odbicie jest wynikiem złego użycia narzędzia i/lub niepoprawnego sposobu lub warunków cięcia. Można go uniknąć podejmując kilka środków ostrożności.**

ZAPOBIEGANIE ODRZUTOM (ODBICIOM)

- **Należy mocno trzymać pilarkę dwoma rękami i ustawić ramiona tak, by móc kontrolować ewentualne odbicie.** Trzymajcie się zawsze po boku pilarki; kiedy jej używacie nigdy nie stawajcie na trasie tarczy. Odbicie wyrzuca nagle pilarkę do tyłu, ale może być kontrolowane, jeżeli użytkownik to przewiduje i jest na to przygotowany.
- **Jeżeli tarcza się zaklinuje, lub musicie z jakiegokolwiek przyczyny przerwać cięcie, zwolnicie spust i trzymajcie pilarkę w obrabianym przedmiocie do czasu aż tarcza zupełnie przestanie się obracać.** Nigdy nie próbujcie wyjmować pilarki z obrabianego przedmiotu czy ciągnąć pilarki w tył, gdy tarcza się obraca. mogłoby to spowodować odbicie.

Kiedy tarcza się klinuje, szukajcie przyczyny i podejmijcie środki zapobiegawcze, by to się nie powtórzyło.

- **Przed ponownym uruchomieniem pilarki do ponownego cięcia, zrównajcie należycie tarczę z nacięciem piły i sprawdźcie czy zęby nie dotykają przedmiotu do obróbki.** Jeżeli tarcza się zaklinuje w obrabianym przedmiocie, zachodzi ryzyko odbicia podczas uruchomienia pilarki.
- **W celu zmniejszenia ryzyka zaklinowania tarczy lub odbicia, dopilnujcie by długie elementy były podparte.** Długie elementy do obróbki mają skłonność do uginania się pod własnym ciężarem. Możecie ustawić wsporniki po obu stronach przedmiotu do obróbki, blisko linii cięcia i na końcu przedmiotu.
- **Nie używajcie uszkodzonych lub stępionych tarcz.** Tarcze nienaostrzone lub źle zamontowane będą dawały nacięcie cienkie powodujące nadmierne tarcie tarczy i zwiększenie ryzyka wygięcia czy odbicia.

WYMOGI BEZPIECZEŃSTWA SPECYFICZNE DLA PILAREK TARCZOWYCH

- **Przed rozpoczęciem cięcia, sprawdźcie czy przyciski regulacji głębokości cięcia i nachylenia są należycie zablokowane.** Jeżeli ustawienia pozycji tarczy zmieniają się podczas cięcia, tarcza może się zaklinować i może nastąpić odbicie.
- **Bądźcie wyjątkowo ostrożni podczas wykonywania cięć zanurzeniowych w ścianie czy innych zaślepionych powierzchniach.** Tarcza mogłaby uderzyć o ukryte przedmioty, co doprowadziłoby do odbicia.

OPIS

1. Przycisk blokady wrzeciona
2. Śruba mocująca tarczy
3. Kluczyk
4. Zewnętrzny kołnierz oporowy tarczy
5. Dolna osłona tarczy
6. Dźwignia dolnej osłony tarczy
7. Górna osłona tarczy
8. Tarcza
9. Wewnętrzny kołnierz oporowy tarczy
10. Przyłącze do odsysania pyłu
11. Klin rozdzielnicy
12. Przycisk blokady głębokości cięcia
13. Podstawa
14. Głębokość cięcia
15. Skala głębokości
16. Pokrętko regulacji nachylenia
17. Podziałka nachylenia
18. Spust-włącznik
19. Wyłącznik bezpieczeństwa
20. Żłobek prowadzący
21. Łapa regulująca głębokość cięcia

CHARAKTERYSTYKA PRODUKTU WS-6613 / WS-6615 / WS-6615X

Średnica tarczy tnącej.	190 mm
<i>(Używajcie wyłącznie tarcz o takiej średnicy)</i>	
Otwór mocujący	30 mm
Maksymalna grubość tarczy	2,2 mm
Zakres możliwości cięcia	
na 0 stopni	66 mm
na 45 stopni	50 mm
Częstotliwość	50Hz
Napięcie	110 V, 230 V AC
Moc pobierana	
WS-6613	1300 W
WS-6615 / WS-6615X	1500 W
Prędkość bez obciążenia	
WS-6613	4600/min
WS-6615 / WS-6615X	5500/min
Waga netto	
WS-6613 / WS-6615X	5,1 kg
WS-6615	5,3 kg

AKCESORIA STANDARDOWE

Tarcza, przyłącze do odciągu pyłu, kluczyk.

PRZEZNACZENIE

Cięcie drewna.

POZIOM HAŁASU

Hałas (lub poziom ciśnienia akustycznego) w miejscu pracy może przekroczyć 85 dB. W tej sytuacji, użytkownik powinien podjąć środki izolacji dźwiękowej oraz zastosować ochroniacze słuchu.

MONTAŻ

PAMIĘTAJcie O ODŁĄCZENIU NARZĘDZIA PRZED ZAINSTALOWANIEM CZY ŚCIĄGIĘCIEM TARCZY Z PILARKI. DOPILNUJcie BY ZĘBY TARCZY BYŁY SKIEROWANE W GÓRĘ Z PRZODU NARZĘDZIA.

INSTALOWANIE I ŚCIĄGIĘCIEM TARCZY (RYSUNKI 2, 3, 4 I 5)

ZAINSTALOWANIE

1. Naciskając na przycisk blokady wrzeciona (1), obracacie śrubę mocującą tarczy (2) przy pomocy klucza (3) aż do zablokowania wrzeciona. (Rys. 2)
2. Odkręcajcie śrubę mocującą tarczy obracając klucz w lewo jednocześnie naciskając na przycisk blokady wrzeciona. (Rys. 2)
3. Zdejmijcie śrubę mocującą tarczy i zewnętrzny kołnierz oporowy tarczy (4). (Rys. 2)
4. Podnieście zupełnie do góry dolną osłonę tarczy (5) przy pomocy dźwigni (6) pod górną osłoną tarczy (7). (Rys. 3)
5. Następnie załóżcie tarczę (8) opierając ją o wewnętrzny kołnierz oporowy tarczy (9) znajdujący się na wale napędowym. Następnie załóżcie zewnętrzny kołnierz oporowy tarczy i śrubę mocującą tarczy. (Rys. 3 i 4)
6. Naciskając ponownie na przycisk blokady wrzeciona, dokręćcie śrubę mocującą tarczy obracając klucz w prawo jednocześnie naciskając na przycisk. (Rys. 5)
7. Po dokręceniu śruby mocującej tarczy, zwolnijcie przycisk blokady wrzeciona.

ŚCIĄGIĘCIEM

1. Naciskając na przycisk blokady wrzeciona, obracacie śrubę mocującą tarczy przy pomocy klucza aż do zablokowania wrzeciona.
2. Odkręcajcie śrubę mocującą tarczy obracając klucz w lewo jednocześnie naciskając na przycisk blokady wrzeciona.
3. Zdejmijcie śrubę mocującą tarczy oraz zewnętrzny kołnierz oporowy tarczy.
4. Podnieście zupełnie do góry dolną osłonę tarczy zwijając ją pod górną osłoną tarczy a następnie zdejmijcie tarczę.

REGULOWANIE KLINA ROZDZIELCZEGO (FIG. 6)



OSTRZEŻENIE!

Nie używajcie tarcz, które są grubsze, lub których zęby są mniejsze niż grubość klina rozdzielczego.

- Upewnijcie się, że klin rozdzielczy jest dopasowany w taki sposób, że (Rys. 6):
 - odległość między klinem rozdzielczym (11) a zębami tarczy jest mniejsza niż 5 mm.
 - zęby nie przekraczają ponad 5 mm dolnego brzegu klina rozdzielczego.
- Klina rozdzielczego powinno się zawsze używać, z wyjątkiem kiedy wykonujecie cięcie zanurzeniowe w środku obrabianego przedmiotu.

REGULOWANIE GŁĘBOKOŚCI CIĘCIA (RYS. 7A, B, 8, 9)

- W celu ustawienia głębokości cięcia, odkręćcie przycisk blokady głębokości cięcia (12). (Rys. 7A)
- Przesuńcie podstawę (13) przy pomocy łapy regulującej głębokość cięcia (21) do pożądanej głębokości i dokręćcie mocno przycisk. (Rys. 7B)
- Głębokość cięcia (14) może być ustalona dzięki skali głębokości (15) lub mierząc odległość wystawiania tarczy poza podstawę. (Rys. 8 i 9)

USTAWIANIE KĄTA CIĘCIA (FIG. 10A, B)

- Kąt cięcia może być ustawiony na obojętnie jakiej pozycji zawartej od 0° do 45°. (Rys. 10A)
- Odkręćcie pokrętkę regulacji nachylenia (16) z przodu narzędzia i ustawcie podstawę pod wybranym kątem posługując się podziałką nachylenia (17). (Rys. 10B)
- Po ustawieniu kąta, należy dobrze dokręcić pokrętkę regulacji nachylenia.

SPUST-WŁĄCZNIK (FIG. 11)

W celu uruchomienia lub zatrzymania narzędzia, naciśnijcie lub zwolnijcie włącznik (18). W celu uniknięcia przypadkowego uruchomienia narzędzia, spust-włącznik działa tylko wtedy, gdy wyłącznik bezpieczeństwa (19) jest wciśnięty. Wyłącznik bezpieczeństwa może być wciśnięty kciukiem, co umożliwia naciśnięcie na spust-włącznik innymi palcami. Nie ma potrzeby naciskania na wyłącznik bezpieczeństwa po naciśnięciu na spust-włącznik

SPOSÓB UŻYCIA (RYS. 12)



NIEBEZPIECZEŃSTWO!

DOPILNUJcie ABY WASZE RĘCE BYŁY ODDALONE OD STREFY CIĘCIA KIEDY NARZĘDZIE JEST W TRAKCIE DZIAŁANIA. PRZEWÓD ZASILAJĄCY POWINIEN BYĆ ZAWSZE ODDALONY OD STREFY CIĘCIA I UMIESZCZONY W TAKI SPOSÓB, BY NIE BYŁ POCHWYCONY PRZEZ OBRABIANY PRZEDMIOT PODCZAS CIĘCIA.

Podczas cięcia, naciskajcie i przesuwajcie piłę zdecydowanym i jednostajnym ruchem (**NIE WYWIERAĆ NADMIERNEGO NACISKU**) w celu uzyskania jednorodnego cięcia. Prędkość cięcia powinna być dostosowana do obrabianego przedmiotu. (Jeżeli obrabiany przedmiot jest twardy, należy ciąć powoli.) W celu uniknięcia przeciążenia silnika, należy często sprawdzać tarczę i wymienić ją lub naostrzyć jeżeli jest stępiona.

W CELU WYKONYWANIA CIĘCIA (Rys. 13 A, B)

Kiedy wykonujecie cięcie tarczą pionową, posługujcie się punktem "A" żłobka prowadzącego podstawy (20) i prowadźcie waszą piłę według linii prowadzącej, którą wyznaczyliście ołówkiem. Kiedy tniecie pod kątem 45°, posługujcie się punktem "B". Ten żłobek prowadzący wskazuje w przybliżeniu linię cięcia. W celu określenia prawdziwej linii cięcia, wykonajcie cięcie próbne w drewnie odpadowym.



UWAGA!

Kiedy używacie prowadnika równoległego, powinien on leciutko dotykać brzegu obrabianego przedmiotu. Nie dociskajcie zbyt mocno.

KONSERWACJA

Po użyciu upewnijcie się, że wasze narzędzie jest sprawne.

Zalecamy zanieśenie waszego narzędzia, przynajmniej raz w roku, do Autoryzowanego Punktu Serwisowego Ryobi w celu dokonania smarowania i kompletnego czyszczenia.

KIEDY SILNIK JEST W TRAKCIE DZIAŁANIA NIE WOLNO WYKONYWAĆ ŻADNYCH REGULACJI. PRZED ZMIANĄ AKCESORII CZY ŻUŻYWAJĄCYCH SIĘ CZĘŚCI (TARCZA TNAÇA, NASADKA, PAPIER ŚCIERNY itd.) ORAZ PRZED SMAROWANIEM CZY MANIPULOWANIEM NARZĘDZIEM, NALEŻY ZAWSZE ODŁĄCZYĆ PRZEWÓD ZASILAJĄCY. UPEWNIJCIE SIĘ, ŻE UCHWYTY SĄ CZYSTE (BEZ OLEJU, CZY TŁUSZCZU).



OSTRZEŻENIE!

Dla większego bezpieczeństwa i lepszej pewności, wszystkie naprawy powinny być wykonywane w Autoryzowanym Punkcie Serwisowym Ryobi.

ZACHOWAJCIE NINIEJSZĄ INSTRUKCJĘ, ABY MÓC SIĘ DO NIEJ ODNIEŚĆ W PÓŹNIEJSZYM CZASIE.

GWARANCJA

Na niniejszy produkt Ryobi udzielona jest dwuletnia gwarancja na ukryte wady fabryczne oraz na zdefektowane części. Okres gwarancji dwudziestu czterech (24) miesięcy, zaczyna się od wiążącej daty widniejącej na oryginale faktury wystawionej przez sprzedawcę dla ostatecznego nabywcy.

Gwarancja ta nie obejmuje zniszczenia wynikającego z normalnego zużycia, czy też uszkodzeń spowodowanych nadmierną eksploatacją, lub niewłaściwą konserwacją, czy nieodpowiednim użytkowaniem niezgodnym z przeznaczeniem. Wyłączone są z niej również akcesoria tj. akumulatory, żarówki, ostrza, końcówki, worki, itd.

W wypadku stwierdzenia złego funkcjonowania podczas okresu gwarancyjnego, prosimy o skierowanie **NIE ZDEMONTOWANEGO** produktu, wraz z dowodem zakupu do waszego dostawcy lub do najbliższego Autoryzowanego Punktu Serwisowego Ryobi.

Niniejsza gwarancja nie podważa przysługujących Państwu uprawnień dotyczących wadliwych produktów.

OCHRONA ŚRODOWISKA



Przetwarzaj surowce zamiast je wyrzucać. Dla poszanowania środowiska sortuj odpady i wrzuć zużyte urządzenie, akcesoria i opakowanie do specjalnych pojemników albo odnieś je do punktów zajmujących się recyklingiem.

F	Niveau de pression acoustique	WS-6613	98 dB(A)	N	Lydtryknivå	WS-6613	98 dB(A)	
		WS-6615/WS6615X	104 dB(A)				WS-6615/WS6615X	104 dB(A)
	Niveau de puissance acoustique	WS-6613	111 dB(A)			Lydstyrkenivå	WS-6613	111 dB(A)
		WS-6615/WS6615X	115 dB(A)				WS-6615/WS6615X	115 dB(A)
	Valeur d'accélération de la moyenne quadratique pondérée	WS-6613	2,6 m/s ²		Veid kvadratisk middelverdi av akselerasjonsverdien	WS-6613	2,6 m/s ²	
		WS-6615/WS6615X	2,4 m/s ²			WS-6615/WS6615X	2,4 m/s ²	
GB	Sound pressure level	WS-6613	98 dB(A)	FIN	Äänenpainetaso	WS-6613	98 dB(A)	
		WS-6615/WS6615X	104 dB(A)				WS-6615/WS6615X	104 dB(A)
	Sound power level	WS-6613	111 dB(A)			Äänen tehotaso	WS-6613	111 dB(A)
		WS-6615/WS6615X	115 dB(A)				WS-6615/WS6615X	115 dB(A)
	Weighted root mean square acceleration value	WS-6613	2,6 m/s ²		Painotettu kiihdytyksen tehollisarvo	WS-6613	2,6 m/s ²	
		WS-6615/WS6615X	2,4 m/s ²			WS-6615/WS6615X	2,4 m/s ²	
D	Schalldruckpegel	WS-6613	98 dB(A)	GR	Επίπεδο ακουστικής πίεσης	WS-6613	98 dB(A)	
		WS-6615/WS6615X	104 dB(A)				WS-6615/WS6615X	104 dB(A)
	Schalleistungspegel	WS-6613	111 dB(A)			Επίπεδο ακουστικής ισχύος	WS-6613	111 dB(A)
		WS-6615/WS6615X	115 dB(A)				WS-6615/WS6615X	115 dB(A)
	Beschleunigung des quadratischen gewogenen Mittelwerts	WS-6613	2,6 m/s ²		Ενεργός τιμή επιτάχυνσης σταθμισμένου μέσου όρου	WS-6613	2,6 m/s ²	
		WS-6615/WS6615X	2,4 m/s ²			WS-6615/WS6615X	2,4 m/s ²	
E	Nivel de presión acústica	WS-6613	98 dB(A)	HU	Hangnyomás szint	WS-6613	98 dB(A)	
		WS-6615/WS6615X	104 dB(A)				WS-6615/WS6615X	104 dB(A)
	Nivel de potencia acústica	WS-6613	111 dB(A)			Hangerő szint	WS-6613	111 dB(A)
		WS-6615/WS6615X	115 dB(A)				WS-6615/WS6615X	115 dB(A)
	Valor de aceleración de la media cuadrática ponderada	WS-6613	2,6 m/s ²		Vážená efektivní hodnota zrychlení	WS-6613	2,6 m/s ²	
		WS-6615/WS6615X	2,4 m/s ²			WS-6615/WS6615X	2,4 m/s ²	
I	Livello di pressione acustica	WS-6613	98 dB(A)	CZ	Hladina akustického tlaku	WS-6613	98 dB(A)	
		WS-6615/WS6615X	104 dB(A)				WS-6615/WS6615X	104 dB(A)
	Livello di potenza acustica	WS-6613	111 dB(A)			Hladina akustického výkonu	WS-6613	111 dB(A)
		WS-6615/WS6615X	115 dB(A)				WS-6615/WS6615X	115 dB(A)
	Valore d'accelerazione della media quadratica ponderata	WS-6613	2,6 m/s ²		Vážená efektivní hodnota zrychlení	WS-6613	2,6 m/s ²	
		WS-6615/WS6615X	2,4 m/s ²			WS-6615/WS6615X	2,4 m/s ²	
P	Nivel de pressão acústica	WS-6613	98 dB(A)	RU	Уровень акустического давления	WS-6613	98 dB(A)	
		WS-6615/WS6615X	104 dB(A)				WS-6615/WS6615X	104 dB(A)
	Nivel de potência acústica	WS-6613	111 dB(A)			Уровень акустической мощности	WS-6613	111 dB(A)
		WS-6615/WS6615X	115 dB(A)				WS-6615/WS6615X	115 dB(A)
	Valor da aceleração da média quadrática ponderada	WS-6613	2,6 m/s ²		Величина ускорения средней умеренной квадратической	WS-6613	2,6 m/s ²	
		WS-6615/WS6615X	2,4 m/s ²			WS-6615/WS6615X	2,4 m/s ²	
NL	Geluidsdrukniveau	WS-6613	98 dB(A)	RO	Nivel de presiune acustică	WS-6613	98 dB(A)	
		WS-6615/WS6615X	104 dB(A)				WS-6615/WS6615X	104 dB(A)
	Geluidsvermogensniveau	WS-6613	111 dB(A)			Nivel de putere acustică	WS-6613	111 dB(A)
		WS-6615/WS6615X	115 dB(A)				WS-6615/WS6615X	115 dB(A)
	Versnellingswaarde van de gewogen effectieve waarde	WS-6613	2,6 m/s ²		Valoarea accelerației medii pătratică ponderată	WS-6613	2,6 m/s ²	
		WS-6615/WS6615X	2,4 m/s ²			WS-6615/WS6615X	2,4 m/s ²	
S	Ljudtrycksnivå	WS-6613	98 dB(A)	PL	Poziom ciśnienia akustycznego	WS-6613	98 dB(A)	
		WS-6615/WS6615X	104 dB(A)				WS-6615/WS6615X	104 dB(A)
	Ljudeffektnivå	WS-6613	111 dB(A)			Poziom mocy akustycznej	WS-6613	111 dB(A)
		WS-6615/WS6615X	115 dB(A)				WS-6615/WS6615X	115 dB(A)
	Accelerationsvärde för viktat kvadratisk medeltal	WS-6613	2,6 m/s ²		Wartość skuteczna przyspieszenia średnia kwadratowa ważona	WS-6613	2,6 m/s ²	
		WS-6615/WS6615X	2,4 m/s ²			WS-6615/WS6615X	2,4 m/s ²	
DK	Lydtryksniveau	WS-6613	98 dB(A)					
		WS-6615/WS6615X	104 dB(A)					
	Lydstyrkeniveau	WS-6613	111 dB(A)					
		WS-6615/WS6615X	115 dB(A)					
	Accelerationsværdi for vægtet kvadratmedeltal	WS-6613	2,6 m/s ²					
		WS-6615/WS6615X	2,4 m/s ²					

(F) CE DÉCLARATION DE CONFORMITÉ
 Nous déclarons sous notre propre responsabilité que ce produit est en conformité avec les normes ou documents normalisés suivants:
 WS-6613: EN50144, EN55014, EN61000, 98/37/EC, 89/336/EEC
 WS-6615/WS-6615X: EN55014, EN61000, EN60745, 98/37/EC, 89/336/EEC

(GB) CE DECLARATION OF CONFORMITY
 We declare under our sole responsibility that this product is in conformity with the following standards or standardized documents.
 WS-6613: EN50144, EN55014, EN61000, 98/37/EC, 89/336/EEC
 WS-6615/WS-6615X: EN55014, EN61000, EN60745, 98/37/EC, 89/336/EEC

(D) CE KONFORMITÄTSEKTLÄRUNG
 Wir erklären in alleiniger Verantwortung, dass dieses Produkt mit den folgenden Normen oder normalen Dokumenten übereinstimmt:
 Gemäß den Bestimmungen der Richtlinien
 *WS-6613: EN50144, EN55014, EN61000, 98/37/EC, 89/336/EEC
 WS-6615/WS-6615X: EN55014, EN61000, EN60745, 98/37/EC, 89/336/EEC*

(E) CE DECLARACIÓN DE CONFORMIDAD
 Declaramos bajo nuestra exclusiva responsabilidad que este producto es conforme a las siguientes normas o documentos normalizados:
 WS-6613: EN50144, EN55014, EN61000, 98/37/EC, 89/336/EEC
 WS-6615/WS-6615X: EN55014, EN61000, EN60745, 98/37/EC, 89/336/EEC

(I) CE DICHIARAZIONE DI CONFORMITÀ
 Dichiariamo, assumendo la piena responsabilità di tale dichiarazione, che il prodotto è conforme alla seguenti normative e ai relativi documenti.
 WS-6613: EN50144, EN55014, EN61000, 98/37/EC, 89/336/EEC
 WS-6615/WS-6615X: EN55014, EN61000, EN60745, 98/37/EC, 89/336/EEC

(P) CE DECLARAÇÃO DE CONFORMIDADE
 Declaramos, sob nossa exclusiva responsabilidade, que este produto cumpre as seguintes normas ou documentos normativos.
 WS-6613: EN50144, EN55014, EN61000, 98/37/EC, 89/336/EEC
 WS-6615/WS-6615X: EN55014, EN61000, EN60745, 98/37/EC, 89/336/EEC

(HU) SZABVÁNY RENDELKEZÉSEK
 Felelősségünk teljes tudatában kijelentjük, hogy a jelen termék megfelel a következő szabványoknak és előírásoknak:
 WS-6613: EN50144, EN55014, EN61000, 98/37/EC, 89/336/EEC
 WS-6615/WS-6615X: EN55014, EN61000, EN60745, 98/37/EC, 89/336/EEC

(CZ) PROHLÁŠENÍ O ŠHOI
 Prohlašujeme na svou zodpovědnost, že tento výrobek splňuje požadavky níže uvedených norem a závazných předpisů:
 WS-6613: EN50144, EN55014, EN61000, 98/37/EC, 89/336/EEC
 WS-6615/WS-6615X: EN55014, EN61000, EN60745, 98/37/EC, 89/336/EEC

(NL) CE CONFORMITEITSVERKLARING
 Wij verklaren op onze eigen verantwoordelijkheid dat dit product voldoet aan de volgende normen of normatieve documenten.
 WS-6613: EN50144, EN55014, EN61000, 98/37/EC, 89/336/EEC
 WS-6615/WS-6615X: EN55014, EN61000, EN60745, 98/37/EC, 89/336/EEC

(S) EG FÖRSÄKRAN
 Vi intygar och ansvarar för, att denna produkt överensstämmer med följande normer och dokument.
 WS-6613: EN50144, EN55014, EN61000, 98/37/EC, 89/336/EEC
 WS-6615/WS-6615X: EN55014, EN61000, EN60745, 98/37/EC, 89/336/EEC

(DK) CE KONFORMITETSERKLÆRING
 Vi erklærer på eget ansvar, at dette produkt er i overensstemmelse med følgende standarder eller standardiseringsdokumenter:
 WS-6613: EN50144, EN55014, EN61000, 98/37/EC, 89/336/EEC
 WS-6615/WS-6615X: EN55014, EN61000, EN60745, 98/37/EC, 89/336/EEC

(N) CE SAMSVARERKLÆRING
 Vi erklærer på eget ansvar at dette produkt er i samsvar med følgende standarder og normative dokumenter:
 WS-6613: EN50144, EN55014, EN61000, 98/37/EC, 89/336/EEC
 WS-6615/WS-6615X: EN55014, EN61000, EN60745, 98/37/EC, 89/336/EEC

(FIN) CE TODISTUS STANDARDIN-MUKAISUDESTA
 Todistamme täten ja vastaamme yksin siitä, että tämä tuote on alla luetteltujen standardien ja standardoimis-asiakirjojen vaatimusten mukainen.
 WS-6613: EN50144, EN55014, EN61000, 98/37/EC, 89/336/EEC
 WS-6615/WS-6615X: EN55014, EN61000, EN60745, 98/37/EC, 89/336/EEC

(GR) ΔΗΛΩΣΗ ΣΥΜΜΟΡΦΩΣΗΣ
 Δηλώνουμε υπευθύνως ότι το προϊόν αυτό συμμορφωθείται προς τα ακόλουθα πρότυπα ή τυποποιημένα έγγραφα:
 WS-6613: EN50144, EN55014, EN61000, 98/37/EC, 89/336/EEC
 WS-6615/WS-6615X: EN55014, EN61000, EN60745, 98/37/EC, 89/336/EEC

(RU) Заявление о соответствии стандартам
 Мы со всей ответственностью заявляем, что настоящая продукция соответствует ниже следующим нормам и документам:
 WS-6613: EN50144, EN55014, EN61000, 98/37/EC, 89/336/EEC
 WS-6615/WS-6615X: EN55014, EN61000, EN60745, 98/37/EC, 89/336/EEC

(RO) DECLARAȚIE DE CONFORMITATE
 Declaram, cu toată responsabilitatea că acest produs este conform cu normele sau documentele următoare:
 WS-6613: EN50144, EN55014, EN61000, 98/37/EC, 89/336/EEC
 WS-6615/WS-6615X: EN55014, EN61000, EN60745, 98/37/EC, 89/336/EEC

(PL) DEKLARACJA ZGODNOŚCI
 Z całą odpowiedzialnością oświadczamy, że niniejszy produkt jest zgodny z normami czy też znormalizowanymi dokumentami wymienionymi poniżej:
 WS-6613: EN50144, EN55014, EN61000, 98/37/EC, 89/336/EEC
 WS-6615/WS-6615X: EN55014, EN61000, EN60745, 98/37/EC, 89/336/EEC

Machine: **CIRCULAR SAW**

Type: **WS-6613 / WS-6615 / WS-6615X**

CE 04.04.2005
CE 06.10.2005

Name of company: Ryobi Technologies S.A.S.
 Address: Immeuble Le Grand Roissy
 Z.A. du Gué
 35, rue de Guivry
 B. P. 5
 77990 LE MESNIL AMELOT
 FRANCE
 Tel.: +33-1-60 94 69 70
 Fax: +33-1-60 94 69 79

Name/Title: Michel Violleau
 Président/Directeur Général

Signature: 

Name of company: Ryobi Technologies (UK) Ltd.
 Address: MEDINA HOUSE
 FIELD HOUSE LANE
 MARLOW
 BUCKS
 SL7 1TB
 UNITED KINGDOM
 Tel.: +44-1628-894400
 Fax: +44-1628-894401

Name/Title: Mark Pearson
 Managing Director

Signature: 

Name of company: Ryobi Technologies GmbH
 Address: ITTERPARK 4
 D-40724 HILDEN
 GERMANY
 Tel: +49-2103-29580
 Fax: +49-2103-2958544

Name/Title: Walter Martin Eichinger
 General Manager

Signature: 

Free Manuals Download Website

<http://myh66.com>

<http://usermanuals.us>

<http://www.somanuals.com>

<http://www.4manuals.cc>

<http://www.manual-lib.com>

<http://www.404manual.com>

<http://www.luxmanual.com>

<http://aubethermostatmanual.com>

Golf course search by state

<http://golfingnear.com>

Email search by domain

<http://emailbydomain.com>

Auto manuals search

<http://auto.somanuals.com>

TV manuals search

<http://tv.somanuals.com>