

Credda

KEY CONTACT NUMBERS

SERVICE

UK: 0541 500 500

Republic of Ireland: 1850 302 200

GENUINE SPARES MAIL

ORDER HOTLINE

UK: 0541 530 530

Republic of Ireland: (01) 84268636

ACCESSORIES MAIL ORDER

HOTLINE

0541 530 530

EXTENDED WARRANTY

To join: 0800 716 356

Administration: 01782 388 252

For further product information please contact:-



All Credda Services are offered as an extra benefit and do not affect your statutory rights. Applicable to UK only.

225/2783/58

CREDA LTD, BLYTHE BRIDGE, STOKE ON TRENT, ST11 9LJ.
Printed by Renault Printing Co. Ltd., Birmingham, England. B44 8BS. F7692/P/D97

Credda

**Easy Store Refrigeration
Instruction Book for Models
86104, 86204, 86205, 86206G
86314, 86315 & 86316G**

Credda

It is essential that you read through this instruction book carefully
before you first use your appliance.

Your new Appliance

For your own safety and to get the best results it is important that you read right through this handbook **before** using your appliance for the first time.

WARNING: THIS APPLIANCE MUST BE EARTHED.

Electrical Requirements

We recommend that this appliance is connected to the mains supply via a suitable switched socket in a readily accessible position.


All appliances come complete with a fitted plug containing a 13 amp fuse. In the event of replacing the fuse, a 13A ASTA approved fuse to BS1362 must be fitted. The fuse cover must be refitted. In the event of losing the fuse cover the plug must **not** be used until a replacement fuse cover has been obtained and fitted. A new fuse cover can be obtained from your nearest Service Office or local Electricity Company. If the plug does not fit your sockets, an alternative plug can be fitted. Cut off the old plug and throw it away. Do not insert it into a socket elsewhere in the house as this could cause a shock hazard.

IMPORTANT: Fitting a Different Plug:

The wires in the mains lead are coloured in accordance with the following code:

Green and Yellow – Earth
Blue – Neutral
Brown – Live

If you fit your own plug the colours of these wires may not correspond with the identifying marks on the plug terminals. This is what you have to do:

1. Connect the green and yellow (Earth) wire to the terminal in the plug marked 'E' or with the symbol , or coloured green or green and yellow.
 2. Connect the blue (Neutral) wire to the terminal in the plug marked 'N' or coloured black.
 3. Connect the brown (Live) wire to the terminal marked 'L' or coloured red.
- With alternative plugs a 5A fuse must be fitted either in the plug or adaptor or in the main fuse box.

Mains Lead Replacement

If the mains lead on this appliance needs replacing at any time, it must be replaced by a special lead which is obtainable from your nearest Service Office (see back page). A charge will be made for the replacement if you have damaged the lead or require a longer lead. It is essential that this operation is carried out by a qualified Electrician.

The old mains lead should be disposed of safely and **not** used for any other application.

NOTE: CE marking certifies that this appliance complies with the requirements laid down in EEC Directive 89:336 (Electromagnetic compatibility) and subsequent modifications and Low Voltage directive 73/23/EEC.

WARNING: HOW TO AVOID ACCIDENTS TO CHILDREN. WHEN DISCARDING AN OLD FRIDGE OR FREEZER BE CERTAIN TO MAKE THE LOCK UNUSABLE. IF POSSIBLE, REMOVE THE DOOR AND DISCARD SEPARATELY. DO NOT ATTEMPT TO STAND OR SIT ON TOP OF YOUR APPLIANCE. IT IS NOT DESIGNED FOR SUCH USE AND YOU COULD INJURE YOURSELF OR DAMAGE THE APPLIANCE BY SUCH ABUSE. CHILDREN SHOULD NOT BE ALLOWED TO PLAY WITH THE APPLIANCE OR TAMPER WITH THE CONTROLS.

Creda

Guarantee

All equipment manufactured by **Creda** is guaranteed for one year against faulty material or workmanship. If your appliance is found to be defective within twelve months of the date of purchase (or hire purchase) we or our authorised service agent will replace or repair the faulty component. There will be no charge for the materials, labour or transportation.

If you have a problem with your appliance contact the **Creda** Service Centre. The telephone number is shown on the back page.

The guarantee is subject to the provisions that the appliance:

- * Has been used solely in accordance with this instruction book.
- * Has been properly connected to a suitable supply voltage as stated on the rating plate attached to the equipment.
- * Has not been subjected to misuse, an accident or been modified or repaired by any person other than the authorised employee or agent of **Creda**.
- * Has been correctly installed.
- * Has been used solely for domestic purposes and is on domestic premises.
- * Your guarantee does not include the fridge light (if fitted) which can be changed as described in this instruction book.

After Sales Pledge

Creda offer fixed price repairs. Providing the product is under 10 years old and has been used in accordance with the above conditions, then our Service Centre Staff will advise you of our current maximum charge. This covers both parts and labour. The repair is

guaranteed for 12 months. For full details please contact your local **Creda** Service Centre on the telephone number shown on the back page.

Creda Care Plus

In return for a fixed annual payment, **Creda** will make any necessary repairs without further charge for labour, parts or transportation. For full details contact our Customer Care Department:-

Tel: 01782 388300

If you have an extended Guarantee Policy taken with a retailer, you may still be able to use the expertise of **Creda**. Please check your insurance policy. If you have not joined a retailer scheme we would recommend you consider the benefits of **CredaCare Plus**.

Spare Parts

Please remember your new appliance is a complex piece of equipment. 'DIY' repairs or unqualified and untrained service people may put you in danger, could damage the appliance and might mean you lose cover under **Creda** Parts Guarantee. If you do experience a problem with the appliance don't take risks, call in **Creda's** own Service Engineer. Our spare parts are designed exclusively to fit only **Creda** appliances. **DO NOT** use them for any other purpose as you may create a safety hazard.

All the above are offered as an extra benefit and do not affect your statutory rights under the Sale of Goods Act 1879, the unfair Contract Terms Act 1977, the Supply of Goods and Service Act 1982 and the Sale and Supply of Goods Act 1994.

Contents

| | Page |
|--|------------------|
| Get to know your Appliance | |
| Installing your Appliance | 4-5 |
| Where to put your appliance | |
| Installing next to a fridge, larger fridge or freezer | |
| Fitting decor panels to match your kitchen units | 6-7 |
| Getting your Appliance ready for use | 8 |
| Starting and Running In | |
| The Controls | 8-10 |
| Controlling the temperature | |
| The lights – what they mean | |
| Economy switch | |
| Storing Food | 11-15 |
| Storing food in the fridge compartment | |
| Storing already frozen food in the freezer compartment | |
| Freezing fresh foods – maximum freezing loads and how to freeze them | |
| Storing food in the chiller tray | |
| Do's and Don'ts | |
| Caring for your Appliance | 16-19 |
| Defrosting | |
| Cleaning | |
| Going away | |
| Table top | |
| Replacing the interior light | |
| If your Appliance won't work | 20-22 |
| Changing the door opening side | |
| Creda Guarantee | |
| Creda Service Offices and Spares Centres | Back Page |

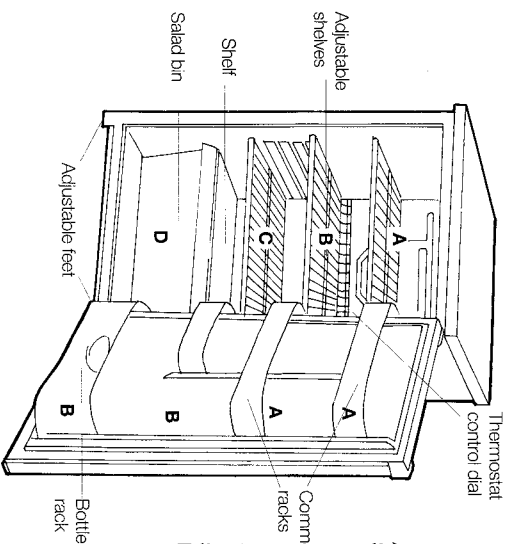
Retention of the Instruction Book

This Instruction Book must be kept handy for reference as it contains important details on the safe and proper use of the appliance.

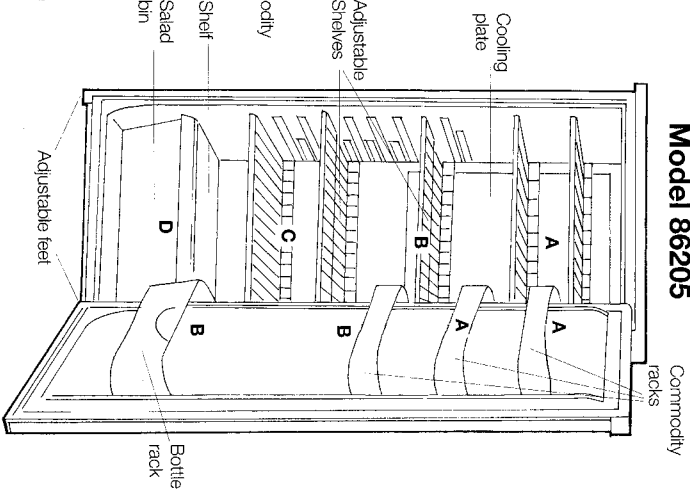
If you sell or pass the appliance to someone else, or move house and leave it behind, make sure this Book is also provided so the new owner can become familiar with the appliance and safety warnings.

Get to know your Appliance

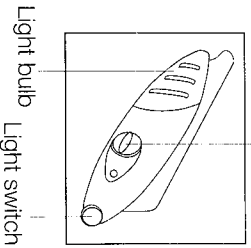
Model 86204 & 86206G



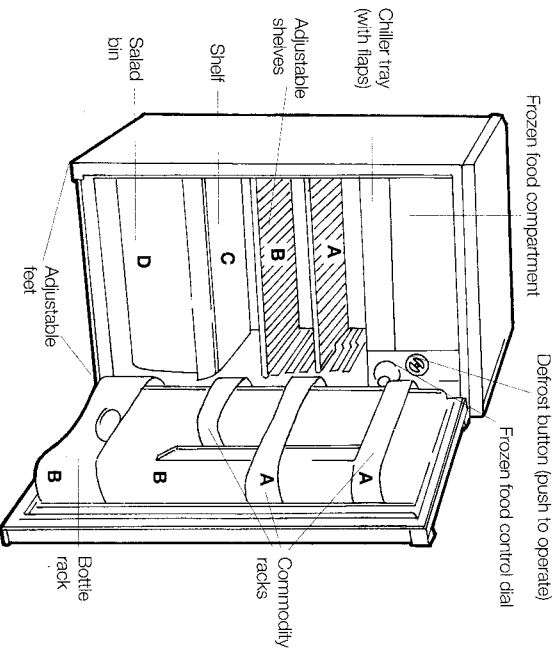
Model 86205



Thermostat Control Dial



Model 86104



Listed below are the features within the model. The interior of the model is divided into zones:
A and **D** = Cool zone;
B = Colder zone and **C** = Coldest zone.
 The Storing Food recommendations on page 9 should be followed in conjunction with the zone areas as indicated.

Changing the door opening side

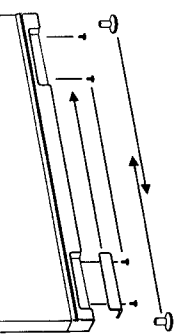
Repositioning the door hinge

Just follow the step by step instructions below:

1. Remove all loose items/fittings from inside the appliance.
2. Carefully lay the appliance on its back (you may need a second person to support the appliance). **Take care to avoid damage to the pipework by keeping it clear of the floor or by laying it on some protective material (eg. its original packaging).**
3. Unscrew and remove the two front feet.
4. Unscrew and remove the bottom hinge. Ensure any spacing washers fitted and the fixing screws are kept with the hinge.
5. Remove the door by gently pulling it downwards. Stand the door carefully to one side.
6. Unscrew and remove the top hinge, replace the screws.
7. Remove the two hinge fixing screws on the top left hand side and use them to refit the top hinge.
8. Remove the plate from the front/bottom left hand side of the cabinet and refit on the right hand side where the bottom hinge was.

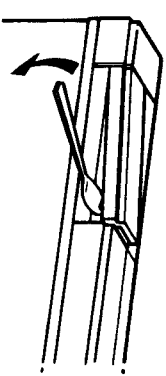
Prepare the door for change over.

- 9a Remove the top and bottom hinge bushes and blanking plug with a thin blunt instrument taking care not to mark the handle. Reposition on the opposite side.



- 9b To reposition handle insert, place the bowl section of a spoon

11. Fit the bottom hinge (and spacing washers) into the bottom hinge bush, ensuring the door is evenly positioned about the cabinet sides.
12. Using the two fixing screws secure the bottom hinge to the cabinet.
13. Replace the adjustable front feet, setting them 25mm from the bottom of the cabinet to the bottom of the foot. For appliances 850mm high or 36mm for taller appliances.
14. Carefully stand your appliance upright (you may need assistance for this) in the required location. Adjust the front feet until all four feet are in firm contact with the floor and the appliance does not rock.
15. Check the door opens and closes freely. Ensure door seal is seated evenly around the cabinet.
16. Finally put back all the loose items/fitings.
17. The appliance must be stood upright for at least 15 minutes before being switched on.




NOTE: If difficulties are encountered, contact your local Service Office. There may be a charge should it be necessary for a service engineer to visit.

If your Appliance won't work

... don't panic

Just run through these quick checks before calling your nearest Creda Service Office.

1. Check that the plug is firmly in the wall socket and that the power supply is on.
 2. Check the power supply to the socket by plugging in another appliance.
 3. If the other appliance works, check the fuse in the appliances plug.
 4. If you have changed the plug, check the wiring (see page 2).
 5. If there is excessive noise or vibration, check that all four feet are firmly in contact with the ground (see page 6).
 6. If the interior light fails to work, refer to page 19 for further instructions.
 7. If water appears down the inside back of the fridge compartment, check that the gutter drain hole has not become blocked and that there is nothing touching the cooling plate. (NB Water droplets on the cooling plate are quite normal.)
 8. If water droplets appear on the outside of the cabinet, check that you have the Economy switch set on 'H' (see page 9).
 9. You may find the freezer compartment door difficult to open just after you have used it. This is due to a pressure difference which will soon equalise. Wait a few minutes then open the door.
- If, after following all these instructions, you are still having problems, contact your nearest Creda Service Office (or local importer if outside the United Kingdom). The telephone number is shown on the back page.



0541 500 500

in the UK

For Eire, Channel Isles, Isle of Man, Shetland, Orkney and Western Isles (see back cover)

When you contact us we will need to know the following information:

Name:

Address:

Post Code:

Tel No:

Fault Details:

Model No:

Serial No:

(See label on underside of front top of the appliance)

Place of Purchase:

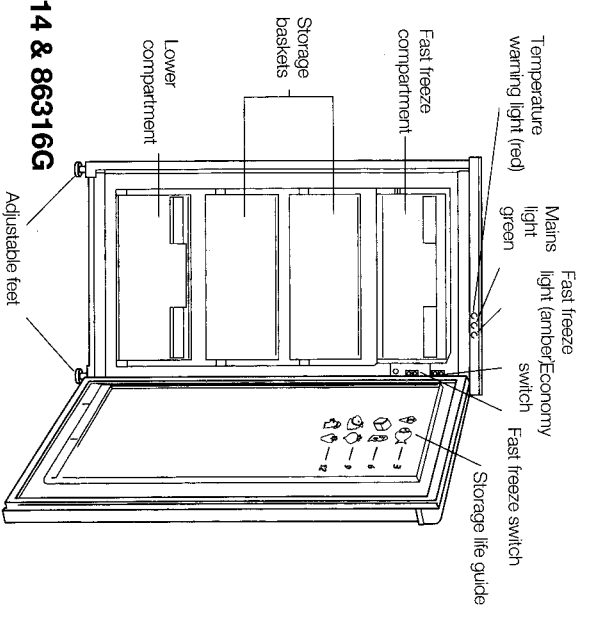
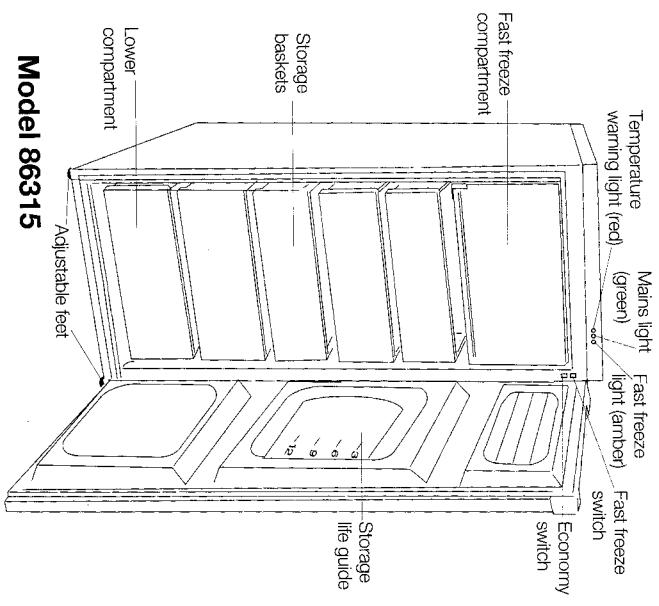
Date of Purchase:

Details:

Guarantee/Contract/Insurance Policy

Make sure you have all these details before you call.

Get to know your Appliance (cont).



CHILDREN SHOULD NOT BE ALLOWED TO PLAY WITH THE APPLIANCE OR TAMPER WITH THE CONTROLS

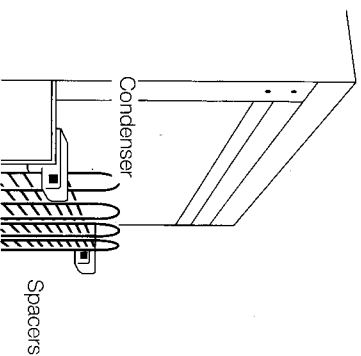
Installing your Appliance

Where to put your appliance.

Your appliance should be placed where it is easy to use, alongside a work surface is often a good position. You must leave a gap of 25mm on each side of the appliance.

Do not put your fridge freezer in a very cold room where the temperature goes below 6 c (43 F) for prolonged periods. In such a position the freezer compartment will run warmer and the storage time of frozen food may be reduced.

Avoid putting it near anything which gives off heat, a cooker or radiator for example or in a position where direct sunlight is liable to shine directly onto the appliance. In such a position your appliance will have to work harder and will cost more to run and may be damaged by the heat.



Once you have decided on the most suitable place, fit the two wall spacers supplied to the top of the condenser as shown and push the appliance back until the spacers are against the wall. This automatically ensures adequate air circulation at the back of the appliance.

If your appliance is placed underneath any wall cupboards, make sure that there is a gap of at least 100mm (4in)

between the top of the appliance and the underside of the cupboards.

Finally, make sure that your appliance is standing correctly by carefully screwing the left hand foot until all four feet are in firm contact with the floor. The right hand foot has been factory set to the correct position but in extreme conditions may require some adjustment. Correct adjustment avoids excessive vibration and noise.

DO NOT obstruct the gap underneath the appliance.



If there is not enough clearance available then ventilation must be provided by fitting an air grille. To increase efficiency and reduce the running cost of your appliance we recommend the fitting of an air grille at the rear of the worksurface. This grille is available from your retailer or nearest Creda Spares Centre using the Accessories Order Form supplied with your appliance.

A wheel kit for fitting to the back of the your appliance is available from your retailer, Creda Spares Stockist or Creda direct using the enclosed accessories order form.

Installing next to a fridge, larger fridge or freezer.

This can be done in one of two ways:-

Free standing

Just slide in next to the appliance leaving a gap of 50mm (2 in) between the two appliances to avoid a build up of condensation making sure that both appliances are standing correctly (see diagram above).

Linking

Models can be joined together to make them look like one unit.

Caring for your Appliance (cont.)

How to replace the interior light

Follow these steps:

1. **Switch off and pull out the mains plug.**
2. Remove the wire shelves to make access easier.
3. Unclip and remove the lamp guard.
4. Unscrew the old bulb and fit the new one.
5. Refit the lamp guard.
6. Replace the plug and switch on. If the light still fails to work, **DO NOT** worry, it will not affect the working of your appliance. Obtain a replacement SES 15 Watt bulb from a local electrical retailer or your nearest Creda Spares Centre and then fit it as follows:

Caring for your Appliance (cont.)

- After three hours press 'O' (OFF) on the Fast Freeze switch. The amber light will go out. Job done!

Cleaning your freezer

Ideally during the defrosting operation, follow these steps:

- Switch off and pull out the mains plug.**
- Remove any frozen food. Wrap it in several layers of newspaper or a blanket, remove the empty baskets and use them to store the wrapped food – put them in a cool place.
- Remove the freezer and lower compartment doors. This is done by opening the compartment door 45° and gently lifting and pushing the **left hand** corner so that the pin comes up and out of the special hinge. The door can then be removed from the right hand hinge by pulling the door to the left. To replace door after cleaning: ensure the door pins are positioned in front of the hinges. Fit the right hand, bottom door pin into the bottom slot in the right hand hinge. Then pull the left hand bottom pin through the back slot
- Wipe out the inside with a clean cloth wrung out in either a solution of one teaspoonful of bicarbonate of soda to one pint of water or Milton® diluted to the manufacturer's instructions. The complete interior including the door and all removable parts should be washed.
- Dry the interior thoroughly with a clean cloth before replacing the basket, shelf and contents.
- Replace the mains plug and switch on.

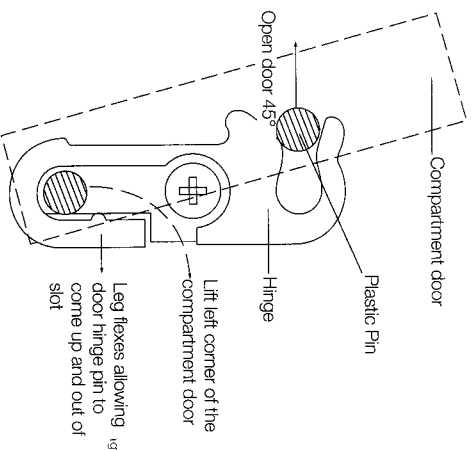
Before you refill the appliance ensure it is thoroughly dry.

Going away

If you expect to be away for any length of time and don't want to use your appliance, turn the thermostat control inside the fridge compartment to 'O' (OFF). Remove all food and wipe out the interior. Always leave the door ajar to prevent the accumulation of odours.

Table Top

This is designed to serve as an extra work surface, be careful with it. **DO NOT** drop or place heavy objects on it and **DO NOT** sit or stand on it.



Installing your Appliance (cont.)

The linking kit is available from your retailer, Creda Spares Stockist or Creda direct using the enclosed accessories order form.

The kit comes complete with wheels so that the unit can be easily moved. The width of the two linked appliances is 1108mm (43.6 in). **Fitting decor panels to match your kitchen units.**

For that fully co-ordinated kitchen look it is possible to fit matching decor panels to your appliance. Special trim kits, attach to the edges of the appliance doors and enable decor panels, up to 4mm (1/8 in) thick, to be fitted. Decor panels are available from most kitchen suppliers.

Each appliance requires a separate trim kit:

These are available from your retailer, Creda Spares Stockist or Creda direct using the enclosed accessories order form.

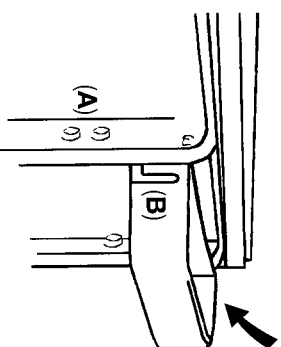


Fig 1

simply lift vertically to release it from the fixing supports (A) in the door liner. To replace, align the grooves (B) on the side of the rack above the fixing supports (A), push down until it clicks into place.

Adjustable/Tilting shelves, see Fig 2

The shelving system in the fridge interior has also been designed to provide maximum storage flexibility. It is possible to position the shelves at various heights to suit the items being stored and it is also possible to tilt certain shelves thereby allowing safe storage of bottles and jars on their sides.

To tilt a shelf place the shelf hanger (A) at the back of the shelf on a lower level than the main body of the shelf (B) (see diagram below).

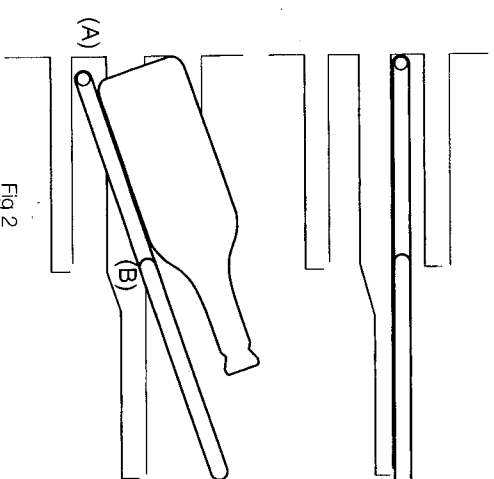


Fig 2

Commodity rack adjustment, see Fig 1

The commodity rack enables you to make maximum use of the storage capacity of the inner door. Depending on the model, some doors have adjustable rack positions. To remove the rack for cleaning or repositioning,

Getting your Appliance ready for use

Before using your appliance for the first time the interior, including the door and all removable parts should be wiped out. Use a damp cloth wrung out in either a solution of one teaspoonful of bicarbonate of soda to one pint of water or Milton® diluted according to the manufacturer's instructions.

WARNING: NEVER USE ANY HOUSEHOLD CLEANER OR DETERGENT, ABRASIVE POWDERS OR WAX POLISH. THESE NOT ONLY DAMAGE THE SURFACES, THEY ALSO LEAVE A SMELL IN THE FRIDGE.

Final check

Before you start using your appliance, check that:-

1. It is thoroughly dry inside,
2. Air can circulate freely,
3. The feet have been adjusted, i.e. all four are firmly on the ground.

Models 86104, 86204, 86205 & 86206G

Starting

Insert the plug into the socket outlet and switch on the electricity supply. Open the fridge compartment door and the interior light will come on. There is a control dial on the right hand side of the interior. Turning the dial clockwise from 'O' (OFF) will start the appliance working. You will hear a noise as the compressor starts up.

Running-in the compressor

The liquid and gases sealed within the refrigeration system may give rise to noise, whether the compressor is running or not. This is quite normal. Your appliance is operated by a compressor which switches on and off in order to maintain the temperatures.

The compressor is a precision piece of machinery and like a car engine, requires a running-in period of up to two months. During this time the compressor has to work a little harder and this may result in more noise than usual.

NOTE: Your appliance is designed only for domestic purposes; for the storage of fresh and frozen food.

NOTE: In the summer months, or in conditions giving high temperatures around the appliance, the compressor has to work harder and run for longer periods. This is quite normal.

Conversely, during cold weather, the compressor will run for much shorter periods.

The Controls

Controlling the temperature inside the fridge compartment

The temperature inside your larger or refrigerator should be 5°C or less, though some sections such as the Salad Bin will be warmer. Frequent door openings cause higher temperatures inside.

If using a thermometer to check the temperature, it should be left overnight on the centre of the middle shelf preferably in a position where it can be viewed without moving it and read immediately the door is initially opened the following morning. If the temperature reading is not between 0°C and 5°C then the controls should be adjusted.

WARNING: DO NOT USE A MERCURY FILLED THERMOMETER AS BREAKAGE COULD CAUSE A HEALTH HAZARD.

Caring for your Appliance (cont.)

12. Reset the frozen food control dial to its original position (see page 10).
13. Unwrap the frozen food and replace.
14. Refill the ice cube tray and replace. Job done!

Cleaning your fridge

It is a good idea to clean the inside of your fridge after defrosting. Always

switch off and pull out the mains plug first. Wipe out the inside of the

fridge using a solution of either one teaspoonful of bicarbonate of soda to one pint of water or Milton® diluted according to the manufacturer's instructions. The complete interior including the door and removable parts, should be washed. The bottle and commodity racks and ice cube trays may be washed in a dishwasher, but only if positioned on the top rack and on a low temperature programme. **Never** use any household cleaner or detergent, abrasive powders or wax polish. These not only damage the surfaces, but also leave a smell in the fridge. Make sure that no particles of food are left in the gutter in the fridge compartment. Before you refill the fridge ensure it is thoroughly dry.

Cleaning the exterior of your appliance

Clean the outside of the appliance, **but not the door seal**, with a damp cloth, using a small amount of detergent, followed by a wipe down with a clean cloth. **DO NOT** use an abrasive powder.

The rubber door seal must be cleaned with soap and water only as detergent will damage it.

Finally, the compressor and condenser at the back of the fridge can be carefully cleaned. Use a brush or vacuum cleaner to remove any dust. Always check that the fridge is disconnected from the mains when doing this. Remember to re-connect the mains plug

and switch on after cleaning your fridge.

Model 86314, 86315 & 86316G

Excessive frost build-up reduces the efficiency of your freezer so from time to time remove the frost using a flat implement such as a wooden cooking spatula.

Never use sharp metal tools to remove the frost—they will damage your freezer.

When the ice becomes about 6mm ($\frac{1}{4}$ in) thick on the refrigerated surfaces completely defrost the freezer. You should find you only need to do this about once or twice a year, depending on usage. Try to defrost when there is little or no food in the freezer.

Defrosting must be carried out as quickly as possible since a rise in the temperature of your frozen food may reduce the recommended storage time. Just follow these steps:

1. **Switch off and pull out the mains plug.**
2. Remove any frozen food. Wrap it in several layers of newspaper or a blanket and, using the storage baskets, put it in a cool place.
3. Place bowls of hot water in the Fast Freeze compartment and lower compartment.
4. As soon as the frost begins to melt use a wooden cooking spatula to chip it off.
5. Sponge out any defrost water which collects in the bottom of the freezer.
6. After defrosting remove the bowls and dry the interior thoroughly.
7. Replace the mains plug and switch on. Press '*' (ON) on the Fast Freeze switch. Unwrap the frozen food and replace. Close the door.

Caring for your Appliance

Defrosting the fridge compartment

Model 86204, 86205 & 86206

The larger compartment will **automatically** defrost itself and the defrost water will drain out through the hole in the gutter and into a special container where it evaporates. Water droplets will form on the cooling plate during the defrost periods and will freeze on the plate afterwards. If your kitchen becomes exceptionally warm the cooling plate may not defrost regularly. Do not worry. Periodic defrosting will begin again when conditions return to normal.

DO make sure that the gutter is always kept clear and that stored food does not come into contact with the cooling plate.

Defrosting the freezer compartment

Model 86104

Frost build-up reduces the efficiency of your fridge. It can also make closing the frozen food compartment door difficult. This is why you must defrost your fridge regularly. We recommend that you defrost your fridge once a week. Frost will build up more quickly in your fridge if you leave the door open or put warm food into it.

Never try to chip the frost away as you can easily damage the refrigerated surfaces of the frozen food compartment.

If you are not storing any frozen food

Defrosting is very simple. Just follow these steps:

1. Remove the ice cube tray.
2. Move anything being stored in the chiller tray to the fridge compartment.
3. Close both flaps on the chiller tray.

The Controls (cont.)

Model 86204, 86205 & 86206G

The control dial, on the right-hand side of the fridge compartment interior, controls the temperature inside the fridge and is marked 'O' (OFF), 1, 2, 3

6.

The setting selected depends on the position of the appliance, how often you open the door and the room temperature.

A control setting of '4' is usually suitable, but if you find the interior is too warm turn the control clockwise to a colder setting (higher number). Similarly, if you find the interior is too cold, turn the control anti-clockwise to a warmer setting (lower number).

Controlling the temperature inside the freezer compartment

The Controls

Models 86314 & 86315 & 86316G

Green mains light

Comes on and stays on as long as the electricity supply is not interrupted.

Red temperature warning light

Comes on when the temperature inside the freezer compartment rises above the correct storage temperature. If it comes on for a short period when you open the freezer compartment door to load or unload food, storage times will not be affected. However, if the red light stays on this indicates that something is wrong. First check that the doors have not been accidentally left open. If this is not the case, call your nearest Creda Service Office or local importer (outside the United Kingdom). If the

delay is likely to be longer than 15¹/₂ hours then the food should be either defrosted and eaten immediately, defrosted, cooked and then refrozen or transferred to another freezer.

Fast Freeze Switch and Amber Fast Freeze Light

Press '★' (ON) when freezing fresh food the amber light will come on.

Economy switch

Your appliance incorporates a low energy heater to reduce condensation on the cabinet sides. Press the switch to 'E' (Economy position) for normal conditions. If the room is cold or humid or if freezing fresh food, water droplets may form on the outside of the freezer. When this happens press switch to 'H' (Humid position).

The low energy heater will operate continuously and the water droplets will disappear. When conditions return to normal reset the switch to 'E' and the heater will operate intermittently.

Note: The outside front edges of the freezer compartment may feel warm. This is normal.

Model 86315

Load Limit Line

The space above and in front of this line is not suitable for long term storage of frozen food. We recommend this area is to be used for making/ storing ice cubes.

The Controls (cont).

Models 86104

Frozen food compartment

The control dial, on the right-hand side of the fridge interior, controls the temperature inside the frozen food compartment and is marked 'O' (OFF), 1, 2, 3, . . . 6. Which setting is selected depends on how long you want to store frozen food.

These appliances will give a you two star **★** performance in the frozen food compartment.

This is achieved by setting the control dial to '4' or higher and allows you to store frozen food for up to one month. This is the most popular setting.

Fridge compartment

The temperature of your fridge compartment is affected by the location of the fridge, how often you open the door and the room temperature.

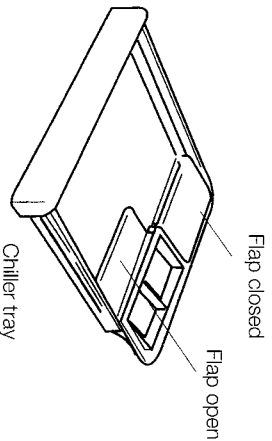
The two flaps at the rear of the chiller tray control the amount of cold air that flows into the fridge compartment. The chiller tray must be pulled out of the fridge in order to adjust the flaps. If adjustments are necessary, proceed as follows:

Fridge Compartment Too Warm

Open one or both chiller tray flaps. If the fridge compartment is still too warm with both flaps open, turn the control dial clockwise to a colder setting (higher number).

Fridge Compartment Too Cold

Close one or both chiller tray flaps. If the fridge compartment is still too cold with both flaps closed, turn the control dial anti-clockwise to a warmer setting (lower number).



Do's and Don'ts (cont).

Freezer compartment

- Do:-** Always choose high quality fresh food and be sure it is thoroughly clean before you freeze it.
- Do:-** Prepare fresh food for freezing in small portions to ensure rapid freezing.
- Do:-** Remember lean foods last longer than fat foods.
- Do:-** Wrap all foods in aluminium foil or polythene bags and make sure any air is excluded. Keep the door shut when freezing fresh food.
- Do:-** Separate food in different baskets for easy identification.
- Do:-** Wrap frozen food when you buy it and put it into the freezer compartment as soon as possible.
- Do:-** Empty and refill the ice tray periodically to ensure freshness.
- Do:-** Store commercially frozen food in accordance with the instructions given on the packets that you buy.
- Do:-** Always defrost frozen foods before cooking unless instructions on the packet state otherwise.
- Do:-** Ensure that fresh food which is frozen, is well labelled and dated.
- Do:-** Ice cream should be removed from the freezer 15-30 minutes before serving.
- Don't:-** Exceed the maximum freezing loads when freezing fresh food (see page 10).
- Don't:-** Put hot food into the fridge or freezer compartments. Let it cool down first.
- Don't:-** Leave the door open for long periods as this will make the fridge/freezer more costly to run.
- Don't:-** Put liquid-filled bottles or sealed cans containing carbonated liquids (fizzy drinks, etc) into the freezer compartment as they may burst.
- Don't:-** Try to keep frozen food which has thawed; it should be eaten within 24 hours or cooked and refrozen.
- Don't:-** Give children lollipops and water ices direct from the freezer compartment. The low temperature may cause 'freezer burns' on their lips.
- Don't:-** Store poisonous or dangerous substances in the freezer. Your freezer has been designed for the storage of edible foodstuffs only.

Do's and Don'ts

Fridge compartment

- Do:-** Take off any unusable leaves on vegetables and wipe off any soil.
- Do:-** Leave lettuce, cabbage, parsley and cauliflower on the stem.
- Do:-** Wrap cheese tightly in greaseproof paper and a polythene bag excluding as much air as possible. For best results take out of the fridge compartment an hour before eating.
- Do:-** Wrap raw meat and poultry loosely in polythene or aluminium foil. This prevents drying.
- Do:-** Wrap fish and offal in polythene bags.
- Do:-** Wrap foods which have a strong odour or can dry out in polythene bags, aluminium foil or place in airtight containers.
- Do:-** Wrap bread well to keep it fresh.
- Do:-** Chill white wines, beer, lager and mineral water before serving.
- Do:-** Make sure the gutter at the back of the fridge compartment is always clear. Remove any particles of food which may collect there.
- Do:-** Clean your salad drawers regularly.
- Do:-** Keep raw meat and poultry below cooked foods and dairy products.
- Do:-** Keep food for as short a time as possible and adhere to 'sell by' dates.
- Do:-** Ensure that cooked meat and raw meat are packaged separately.
- Do:-** Store food items in the positions recommended by the manufacturers.

Do:- Ensure that cooked foods are allowed to cool before storing in the refrigerator.

Don't:- Store bananas in the fridge compartment.

Don't:- Store melon in the fridge compartment. It can be chilled for short periods as long as it is wrapped to avoid it flavouring other food.

Don't:- Wash eggs as this removes their natural protective film. Wipe them instead.

Don't:- Use eggs straight from the fridge compartment, especially when making cakes or mayonnaise. Allow them to reach room temperature before use.

Don't:- Leave the door open for long periods as this will make the fridge/freezer more costly to run.

Don't:- Cover the shelves with any protective materials which may obstruct air circulation through them.

Don't:- Let anything touch the cooling plate at the back of the fridge compartment.

Don't:- Store poisonous or dangerous substances in the fridge. Your fridge has been designed for the storage of edible foodstuffs only.

Don't:- Consume food which has been stored for an excessive time in the fridge.

Don't:- Let defrosting food or food juices drip onto food in your fridge.

Storing Food

Storing food in your fridge compartment

Your fridge compartment has been designed to store a wide variety of food items. In order to do this effectively there are different temperature zones inside your refrigerator to create ideal storage conditions. A guide to maximum storage times is shown below or alternatively see individual instructions provided on packaging. Select chilled foods last when shopping; transport home in a 'cool bag' and place in the fridge as soon as possible after arriving home. It is advisable to store food in the correct zone. See chart opposite:

| Zone storage | Advisable position for |
|--------------------|--|
| A | Dairy products – Cheese, butter, margarine, low fat spreads, cooking fats/lards. |
| Cool zone | Preserves – Jam, curds, marmalades, spreads, dressings, sauces, spreads. |
| B | General food storage. |
| Colder zone | |
| C | Fresh meat, fish & poultry. Pre-cooked/chilled food. |
| Colest zone | (These items must be stored above any raw meat, fish or poultry.) |
| D | Vegetables, fruit and salad items. |
| Salad bin | (Note: We do not recommend that you store bananas or onions in a fridge.) |

| Max. storage time | Days |
|---|-------|
| Raw fresh meat | |
| joints, steaks, chops | 1 |
| offal (liver, kidney etc) | 1 |
| minced meat, sausages | 1 |
| Cooked meat | |
| cooked meat | 1 |
| made-up dishes and left-overs | 1 |
| Poultry | |
| fresh, whole (store giblets separately) | 1 |
| cooked | 1 |
| giblets | 1 |
| Fish | |
| raw | 1 |
| cooked | 2 |
| Bacon | |
| joints (uncooked) | 2-8 |
| rashers | 2-10 |
| ham (unsmoked) | 1-3 |
| pasteurised and homogenised | 1-3 |
| Milk | |
| fresh | 2 |
| fresh | 2-10 |
| yogurt, sour cream | 2-10 |
| Butter | |
| | 14-28 |
| Margarine and cooking fats | |
| hard | 21-28 |
| semi hard, blue | 7-28 |
| cream, cottage | 7-28 |
| Cheese | |
| hard | 7-14 |
| semi hard, blue | 7 |
| cream, cottage | 7-28 |
| shell | 1-3 |
| hard boiled | 2-14 |
| Eggs | |
| | 2-14 |
| shell | 1-3 |
| hard boiled | 2-14 |
| Vegetables | |
| vegetables | 2-14 |
| Salad | |
| prepared | 1-3 |

All foods should be wrapped or covered to prevent drying out and flavour transference. Plastic bags, containers with lids, foil and plastic stretch wrap are ideal. Never put hot or warm food into your fridge as this reduces efficiency. Left over canned food should **not** be stored in the car; place it in a covered storage container and place in the fridge.

Storing Food (cont.)

Storing food in your freezer compartment

Your freezer compartment is suitable for the long-term storage of commercially-frozen foods and can also be used to freeze and store fresh food.

Generally speaking long-term storage means up to three months, but this will vary with the nature of the packaged food, so always follow the manufacturer's recommended storage time given on the packet. For storing home frozen fresh food refer to the pictorial guide on the door liner.

Models 86314 & 86316G

The freezer carries a four star **★★★★** symbol and will store up to 32kg (70lb) of frozen food. This figure is based on an average density of 0.32kg of mixed food per litre of net storage volume (20lb per cubic foot). In the case of meat it will take appreciably more.

Model 86315

The freezer carries a four star **★★★★** symbol and will store up to 55kg (122lb) of frozen food. This figure is based on an average density of 0.32kg of mixed food per litre of net storage volume (20lb per cubic foot). In the case of meat it will take appreciably more.

Model 86104

The frozen food compartment carries a two star ****** symbol and will store up to 3.7kg (8.1lb) of frozen food. This figure is based on an average density of 0.32kg of mixed food per litre of net storage volume (20lb per cubic foot). In the case of meat it will take appreciably more.

If there is a power failure do not open the freezer compartment door.

Frozen food should not be affected if the failure lasts for less than 15½ hours for **Model 86314 & 86316G** and 16 hours for **Model 86315**. If the failure is longer then the food should be checked and either eaten immediately or cooked and then refrozen.

DO NOT line the shelf or baskets with paper, plastic or foil.

DO NOT pack items tightly together. Whenever possible leave space between items.

Freezing fresh foods

Maximum freezing loads

Model 86104

You can store up to 3.6 Kg (8.1 lb) in your frozen food compartment. Storage times depend on the setting you use and the type of food being stored. For best results always store pre-packed frozen foods in accordance with the frozen food manufacturer's instructions. Some packs will be marked with star markings matching those on the door of the frozen food compartment. Frozen food should be wrapped when bought and stored as soon as possible. If you have set your frozen food compartment to give two star ****** Performance (setting 4 in normal conditions), you can store frozen food for the following approximate periods:

| | |
|--|---------|
| Sensitive Fruits (e.g. Strawberries)..... | 2 weeks |
| Fruits, Pastries, Dairy Products..... | 3 weeks |
| Vegetables, Lean Meat, Ice Lollies..... | 4 weeks |

The exact period will vary with the nature of food stored.

If your frozen food compartment is set to give one star ***** performance (setting 2) frozen food should not be stored for more than one week.

Storing food in the chiller tray

You can store fresh food in the chiller tray, but you should remember three things:

- **DO NOT** allow it to touch the frozen food compartment or it will become stuck.
- It will tend to freeze as this is a very cold area.
- **DO NOT** attempt to store frozen food in this area, it is not cold enough to keep it fully frozen.

Model 86314, 86315 & 86316G

You can freeze up to 14kg (30.8lb) of fresh or cooked food in any 24 hours. Slightly larger quantities can be frozen if the Fast Freeze switch is set to '★' (ON) 24 hours beforehand.

Freezing up to 10kg (22lb)

1. Transfer any frozen food from the Fast Freeze compartment to the storage baskets or lower compartment.
2. Press '★' (ON) on the Fast Freeze switch. The amber Fast Freeze light will come on. If the freezer has not been in use it will be necessary to set the Fast Freeze switch to '★' at least three hours before putting in the fresh food.
3. Press 'H' on the Economy switch to avoid condensation on the out side of the freezer compartment.
4. Put the fresh food into the Fast Freeze compartment with as much food as possible in contact with the compartment floor.

5. Leave the Fast Freeze switch on for 24 hours if the maximum quantity (10kg) is being frozen or proportionally less time for smaller quantities.

6. Reset the Fast Freeze switch to 'O' and the Economy switch to 'E' when freezing is complete.

Freezing up to 14kg (30.8lb)

1. Transfer any frozen food from the Fast Freeze and lower compartments to the storage baskets.
2. Press '★' (ON) on the Fast Freeze switch 24 hours before loading fresh food to be frozen.
3. Put 8kg (17.5lb) of fresh food into the Fast Freeze compartment and the remainder in the lower compartment with as much food as possible in contact with the compartment floors.
4. Press 'H' on the Economy switch to avoid condensation on the outside of the freezer.
5. Leave the switches on for 24 hours then reset the Fast Freeze switch to 'O' and the Economy switch to 'E'.

Free Manuals Download Website

<http://myh66.com>

<http://usermanuals.us>

<http://www.somanuals.com>

<http://www.4manuals.cc>

<http://www.manual-lib.com>

<http://www.404manual.com>

<http://www.luxmanual.com>

<http://aubethermostatmanual.com>

Golf course search by state

<http://golfingnear.com>

Email search by domain

<http://emailbydomain.com>

Auto manuals search

<http://auto.somanuals.com>

TV manuals search

<http://tv.somanuals.com>