

This appliance conforms to the following EEC Directives:

Low Voltage Equipment

73/23/EEC

93/68/EEC

Electromagnetic Compatibility

89/336/EEC

92/31/EEC

93/68/EEC

CE

The Greda logo consists of the word "Greda" in a bold, sans-serif font, positioned to the right of a stylized graphic element. This graphic element is composed of three parallel lines that form a partial frame on the left and bottom sides of the text.

**Combination Fridge Freezer
Instruction Book
Models 86404, 86406, 86616**

The Greda logo consists of the word "Greda" in a bold, sans-serif font, positioned to the right of a stylized graphic element. This graphic element is composed of three parallel lines that form a partial frame on the left and bottom sides of the text.The Greda logo consists of the word "Greda" in a bold, sans-serif font, positioned to the right of a stylized graphic element. This graphic element is composed of three parallel lines that form a partial frame on the left and bottom sides of the text.

**It is essential that you read through this instruction book
carefully before you first use your Fridge Freezer.**

Your new Creda Fridge Freezer

Using your new appliance is very simple. Nevertheless, for your own safety and to get the best results it is important that you read right through this handbook **before** using your appliance for the first time. Also do not load the freezer compartment immediately. Wait until the correct storage temperature has been reached (see page 8).

Electrical Requirements

We recommend that this appliance is connected to the mains supply via a suitable switched socket in a readily accessible position.

All Creda appliances come complete with a fitted plug. The plug on your appliance has a 13 amp fuse. If the plug does not fit your sockets, a new plug can be fitted. Cut off the old plug and **throw it away. Do not insert the old plug in a socket** as this could cause a shock hazard.

WARNING: THIS APPLIANCE MUST BE EARTHED.

IMPORTANT: Fitting a Different Plug:

The wires in the mains lead are coloured in accordance with the following code:

Green and Yellow – Earth
Blue – Neutral
Brown – Live

If you fit your own plug the colours of these wires may not correspond with the identifying marks on the plug terminals. This is what you have to do:

1. Connect the green and yellow (Earth) wire to the terminal in the plug marked 'E' or with the symbol \equiv , or coloured green or green and yellow.
 2. Connect the blue (Neutral) wire to the terminal in the plug marked 'N' or coloured black.
 3. Connect the brown (Live) wire to the terminal marked 'L' or coloured red.
- With alternative plugs a 15 amp fuse must be fitted either in the plug or adaptor or in the main fuse box. In the event of replacing a fuse in the plug supplied, a 13 amp ASTA approved fuse to BS1362 must be fitted.
- If the plug is the 'moulded on' type the fuse cover must be refitted when changing the fuse. In the event of losing the fuse cover the plug **must not** be used until a replacement fuse cover has been obtained and fitted. A new fuse cover can be obtained from your nearest Creda Spares Centre or local Electricity Company. The colour of the correct replacement fuse cover is that of the coloured marks or insert in the base of the plug.

Mains Lead Replacement

If the mains lead on this appliance needs replacing at any time, it must be replaced by a special lead which is obtainable from your nearest Creda Service Office. A charge will be made for the replacement of the mains lead if you have damaged the lead or require a longer lead.

WARNINGS:

HOW TO AVOID ACCIDENTS TO CHILDREN.
WHEN DISCARDING AN OLD FRIDGE OR FREEZER BE CERTAIN TO MAKE THE LOCK UNUSABLE. IF POSSIBLE, REMOVE THE DOORS AND DISCARD SEPARATELY.

DO NOT ALLOW THE CHILDREN TO PLAY WITH THE APPLIANCE OR TAMPER WITH THE CONTROLS.
DO NOT ATTEMPT TO STAND ON TOP OF YOUR APPLIANCE. IT IS NOT DESIGNED FOR SUCH USE AND YOU COULD INJURE YOURSELF OR DAMAGE THE APPLIANCE BY SUCH ABUSE.

Contents

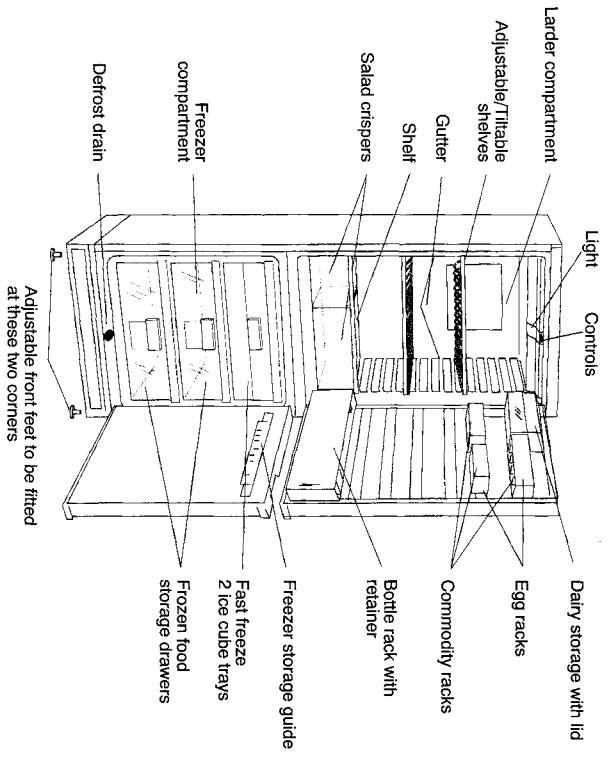
THIS BOOK COVERS MODELS 86404, 86406, 86616

Electrical Requirements	2
Get to know your appliance	4
Installing your appliance Where to put your fridge freezer Repositioning the door hinges	5 – 6
Getting your appliance ready for use Starting	7
The Controls Controlling the temperature/running in	7 – 8
Storing Food Storing food in the fridge compartment Storing frozen food in the freezer compartment Freezing fresh foods – maximum freezing loads and how to freeze them Do's and Don'ts	9 – 10 10 11 – 12 10
Caring for your Appliance Defrosting Cleaning Going Away Replacing the interior light	13 – 14 13 13 13 13
If your Appliance won't work	15
Spares, Parts and Service	16

Retention of the Instruction Book

This Instruction Book must be kept handy for reference as it contains important details on the safe and proper use of the appliance.
If you sell or pass the appliance to someone else, or move house and leave it behind, make sure this Book is also provided so the new owner can become familiar with the appliance and safety warnings.
If the Book is lost or damaged a copy may be obtained from:
Creda Care, Spares and Service, Blythe Bridge, Stoke-on-Trent, ST11 9LN.

Get to know your appliance



**Models 86404, 86406, 86616
(86406 illustrated)**

Spare, Parts and Service

For details of your nearest Service Centre, please refer to the separate Service leaflet.

If you have any queries regarding Service or spare, our Spare and Service division will be pleased to advise you.

You should write to:-

Creda Ltd.,
Spare and Service Division,
CredaCare Building,
Creda Works,
Blythe Bridge,
Stoke - On - Trent. ST11 9LN

or telephone: 01782 388300

NOTE: Our engineer will use every effort to avoid damage to floor coverings and adjacent units while carrying out inspection, repairs or service work. In locations where the engineer advises you that it will be impossible to move the appliance without risk of damage, he/she will only proceed with your acceptance of liability.

Installing your appliance

Where to put your appliance

Your appliance should be placed where it is easy to use, adjacent to a work surface is often a good position.

It is advisable to position the appliance away from anything which gives off heat, a cooker or radiator for example, or in a position where sunlight is liable to shine directly onto the appliance.

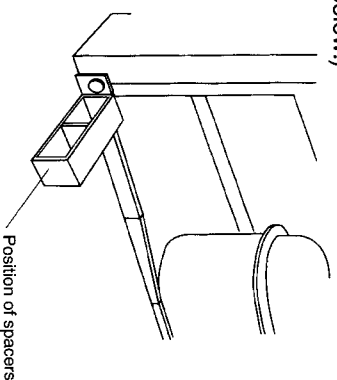
Your appliance is designed to operate in temperatures up to 32 deg C.

Ensure there is a 5cm (2 in) gap between the appliance and other items such as kitchen units, wall units or other appliances.

For safety during transit, the rear spacers, appliance feet and adjustment spanner are supplied packed in the appliance interior, with the ice cube trays.

Fitting the rear spacers

To guarantee critical clearance for air movement at the rear of the appliance, two spacers are supplied and must be fitted. The spacers are fitted to both bottom, rear corners. (See diagram below.)

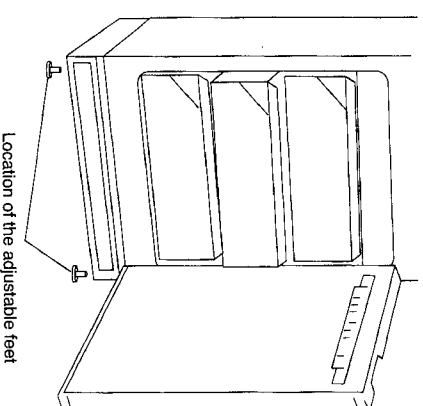


Fitting the adjustable feet

Two adjustable feet are supplied with the appliance. These must be fitted to the underside front corners, as prescribed.

For your safety the fitting of the appliance feet is best carried out by two people.

Remove the feet from the polythene bag. Carefully raise the front of the appliance and screw the feet in position, as illustrated in the diagram below. Carefully lower the front of the appliance back to the floor.



Locate the appliance in its intended position, with the rear spacers against the wall. Adjust the screw feet clockwise or anti-clockwise to steady the appliance.

Adjustment of the upper hinge

(Spanner provided in polythene bag)
If the upper door is not in line with the top front edging, partially unscrew the pivot plate fixing to the upper hinge, using the spanner provided. Align the upper door panel with the top front edging. Tighten the pivot plate fixing.

Installing your appliance (cont)

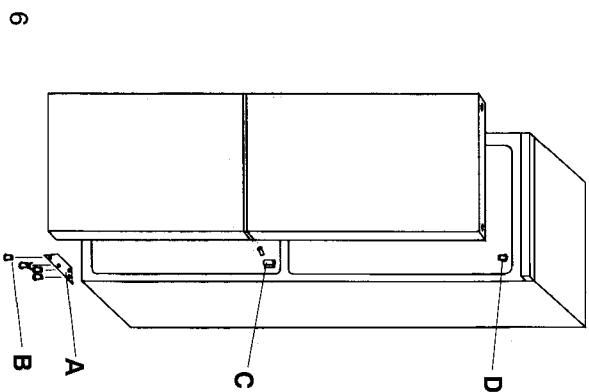
Upright cabinets are normally supplied with the doors hinged to the cabinet on the right hand side, as viewed from the front. When necessary it is possible to change the doors to hinge on the left hand side.

Repositioning the door hinges from right to left side

The procedure is as follows:

Refer to the diagram below

1. Unscrew and remove the bottom hinge (A) and remove the bottom door.
2. Unscrew the support pin (B) from the bottom hinge, turn the hinge over and refit the support pin on the opposite side.
3. Unscrew the centre hinge (C) and remove the top door.
4. Unscrew the support pin (D) from the upper right hand hinge and refit to the upper left hand position.
5. Remount the top door on the top support pin and refit the centre hinge on the left hand side.
6. Remount the bottom door on the centre hinge and refit the bottom hinge on the left hand side.



6

If your Fridge Freezer won't work

...don't panic

Just run through these quick checks before calling your nearest Creda Service Centre.

1. Check that the plug is firmly in the wall socket and that the supply is on.
2. Check the power supply to the socket by plugging in another functional appliance.
3. If the other appliance works, check the fuse in the plug of your fridge freezer.
4. If you have changed the plug on your appliance, check the wiring is correct and in a satisfactory condition.
5. If there is excessive noise or vibration, check that:
 - a) the four corners of the appliance are firmly in contact with the floor, see page 5.
 - b) the appliance is not in contact with another appliance or object.
 - c) the rear pipework assembly is not the source of the vibration.
6. If the interior light fails to come on, check that the power supply has not failed, see 1-4 above. Then refer to the instructions on page 14.
7. If the internal temperature is too warm:
 - turn the temperature control to a colder setting, toward 7.
 - check that the doors are firmly closed.
 - check that the appliance is not near a heat source.
 - check that the air is able to circulate fully around the exterior of the appliance. Particularly at the rear and sides.
 - open the door as little as possible until the normal operating temperature is achieved.
8. If the internal temperature is too cold:
 - turn the temperature control to a warmer position, toward 1.
9. Check that the appliance has not been switched off inadvertently, either by the removal of the appliance plug or switching of the temperature control to '0'.

If the appliance has been switched off for any reason, wait at least 10 minutes before switching on again.

Caring for your Appliance (cont)

Remember to replace the mains plug and switch on the appliance after cleaning.

Going away

If you expect to be away from home for any length of time and don't want to use the appliance, turn the temperature control to 'o' (off). Switch off at the wall socket and pull out the plug. Remove all food items and follow the cleaning instructions on the previous page. **Always** leave the door ajar to prevent the accumulation of odours.

How to check / replace the interior light

1. Should the light fail to operate:
Switch off the appliance and remove the plug from the wall socket.
2. Remove the plastic light cover by depressing the two plastic lugs inwards with a small screwdriver.
Ensure the lamp is screwed into the lamp holder firmly.

Replace the mains plug in the wall socket, switch on the appliance and check the lamp operation once more.

If the lamp still fails to operate, you will need a replacement part: SES 10 Watt 240V, available from a local retailer or your nearest Creda Spares Centre. If you do not have a replacement part available, replace the plastic cover and use you appliance normally. When a replacement part is available, repeat the above from 1, replacing the failed lamp.

Remember to check the appliance is plugged in and switched on after any of the above operations.

Getting your appliance ready for use

Before use, the surfaces of all removable parts, the door panel and the appliance interior, should be wiped over as prescribed below.

Use a clean damp cloth, wrung out in a solution of bicarbonate of soda; 1 teaspoon of bicarbonate of soda to 1 pint of water.

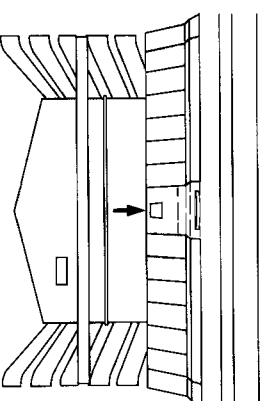
OR use Milton solution diluted according to the manufacturers instructions. Do not allow water to come in contact with the interior thermostat, interior light or control dial area.

WARNING: NEVER USE ANY HOUSEHOLD CLEANER OR DETERGENT, ABRASIVE POWDERS OR WAX POLISH. THESE WILL DAMAGE THE SURFACES IN YOUR APPLIANCE AND MAY ALSO LEAVE UNPLEASANT ODOURS IN THE APPLIANCE.

Wipe dry using a clean, dry cloth.

The Controls

The temperature control dial is situated in the roof of the fridge compartment. The dial is numbered between 1 (warmest setting) and 7 (coolest setting) plus 'o' (appliance Off). Any setting between 1 and 7 can be selected for operation. As the dial is rotated the setting number is visible in the window. A setting midway between 3 and 4 is recommended as 'normal'. (See diagram below.)



Position of Control Dial.

Final Check
Before you start the appliance check the following:

1. The appliance is thoroughly dry inside.
2. The appliance is standing level and all feet are correctly adjusted and in firm contact with the floor.
3. The rear spacers are fitted and air is free to circulate around the appliance.
4. The shelves, racks and storage boxes are correctly fitted within the appliance.

Starting the appliance

Note: The appliance should be allowed to stand vertically for two hours before switching on, as it may have been in an horizontal position during transit or delivery.

Insert the plug into the mains socket outlet, set the temperature control dial midway between 3 and 4 and switch on the supply.

The Controls (cont)

You may hear a noise as the compressor motor starts.

Do not fill the appliance with food items immediately - wait for one hour before placing food in the fridge and **6 hours** before storing frozen food.

Running in the compressor motor

The compressor is a precision assembly. As with a car engine, a 'running in' period is required, during this period, lasting up to 2 months, the compressor may have to work a little harder, resulting in more noise than may normally be expected.

Controlling the temperature

Controlling the temperature inside the fridge compartment

The temperature inside your refrigerator should be 5 deg C or less, though some sections, such as the Salad Crisper will be warmer. Frequent door openings will cause higher temperatures inside.

If you use a thermometer to check the internal temperature, it should be left overnight on the centre of the middle shelf and the reading should be taken immediately the door is opened the following morning. If the reading is more than 5 deg c the temperature control dial should be adjusted accordingly, by setting a higher number on the dial.

WARNING: DO NOT USE A MERCURY FILLED THERMOMETER.

The control dial sets the internal temperature of your fridge and is marked 1 to 7 and '0'. The '0' setting will turn your appliance off. The ideal setting, between 1 and 7, will depend on where the appliance is located; the surrounding temperature and the frequency of door openings. A 'normal' setting is midway between 3 and 4.

The higher the setting number (clockwise rotation) the colder the internal temperature. The lower the setting number (anti-clockwise rotation), the warmer the internal temperature.

8

Setting the temperature in the freezer

With a suitable fridge compartment temperature the freezer compartment will automatically be maintained at the correct temperature necessary for frozen food storage.

In the summer months, or in conditions giving rise to high temperatures around the appliance, the compressor motor has to run for longer periods. This is quite normal. Conversely, the motor will run for shorter periods during cold weather.

NOTE: WHEN THE CONTROL IS SET TO '0' THE FRIDGE AND FREEZER WILL BE TURNED OFF. IF THE APPLIANCE IS TURNED OFF FOR ANY REASON, WAIT AT LEAST 10 MINUTES BEFORE RESTARTING.

Caring for your Appliance

Defrosting

The fridge compartment

The fridge compartment will automatically defrost itself and the defrost water will drain out through the hole in the gutter into a special container where it will evaporate. Water droplets will form on the cooling plate during the defrost periods and will freeze on the plate afterwards. If the temperature around your appliance becomes **exceptionally** warm the cooling plate may not defrost regularly. Do not worry. Periodic defrosting will begin again when conditions return to normal. Do make sure that the gutter, on the back wall below the freezing plate, is always kept clear and that stored food does not come into contact with the cooling plate.

The freezer compartment

Frost forms on the cold surfaces from the moisture in the air and improperly wrapped food. The frost will build up first on the roof of the fast freeze compartment, towards the front. This is normal. From time to time, remove the frost from the surfaces of the freezer compartment using a **plastic** scraper. **Never** use sharp metal tools to remove, the frost - they will damage your freezer beyond repair.

Periodically you will need to fully defrost your freezer, how often will depend on usage. Try to defrost when there is little or no food in the freezer compartment.

Defrosting must be carried out as quickly as possible since a rise in the temperature of your frozen food may reduce the recommended storage time. Just follow these steps:

1. **Switch off the appliance and remove the mains plug from the wall socket.**
2. Remove any frozen food. Wrap it in several layers of newspaper or a blanket and put it in the fridge compartment or another cool place. Remove empty baskets.
3. Place bowls of hot water in the fast freeze compartment and the lower compartment. **Do not use any other heat source.**

4. Pull the base plinth from position and insert the tubing into the aperture plug. Place a container under the tubing outlet to catch the defrost water. Remove the drain cover from the floor of the freezer.
5. Sponge out any remaining water which may collect in the bottom of the freezer.
6. After defrosting, remove the bowls of water and dry the interior thoroughly.
7. Replace the mains plug and switch on the appliance. Unwrap the frozen food and replace it in the freezer compartment. Ensure the door is closed firmly.

Cleaning

For cleaning the internal surfaces use a clean damp cloth, wrung out in a solution of bicarbonate of soda: 1 teaspoon of bicarbonate of soda to 1 pint of water. OR use Milton solution diluted according to the manufacturers instructions. Do not allow water to come in contact with the interior thermostat, interior light or control dial area.

WARNING: NEVER USE ANY HOUSEHOLD CLEANER OR DETERGENT, ABRASIVE POWDERS OR WAX POLISH. THESE WILL DAMAGE THE SURFACES IN YOUR APPLIANCE AND MAY ALSO LEAVE UNPLEASANT ODOURS IN THE APPLIANCE.

Wipe dry using a clean, dry cloth.

Clean the outside of the appliance, except the door seal, with a damp cloth and a little detergent. Wipe down with a clean cloth afterwards. **Do not use an abrasive powder. The rubber door seal must be cleaned with soap and water only. Detergent will damage the rubber.**

Finally the equipment at the back of the appliance can be carefully cleaned, using a brush or vacuum cleaner to remove any build up of dust. **Ensure the appliance is disconnected from the supply when cleaning the rear of the appliance.**

Do's and Dont's (cont)

Fridge compartment

- Don't:-** Put hot food into the fridge, or the freezer. Let it cool down first.
- Don't:-** Store bananas in the fridge compartment.
- Don't:-** Store melon in the fridge compartment. It can be chilled for short periods as long as it is wrapped to avoid it flavouring other food.
- Don't:-** Wash eggs as this removes their natural protective film. Wipe them instead.
- Don't:-** Use eggs straight from the fridge compartment, especially when making cakes or mayonnaise. Allow them to reach room temperature before use.
- Don't:-** Leave the fridge door open for long periods as this will increase the running costs.
- Don't:-** Cover the shelves with any protective materials which may obstruct the air circulation through them.
- Don't:-** Store poisonous or dangerous substances in the fridge. Your fridge has been designed for the storage of edible foodstuffs only.
- Don't:-** Consume food which has been stored in the fridge for an excessive time.
- Don't:-** Let defrosting food, or food juices drip onto food in your fridge.
- Don't:-** Prevent air circulation by placing items too close together.
- Don't:-** Cover air ducts with food items.
- Don't:-** Place uncovered food or liquids in the fridge.

Freezer compartment

- Don't:-** Put hot food into the freezer, or the fridge. Let it cool down first.
 - Don't:-** Exceed the maximum freezing loads, when freezing fresh food. (See page 10).
 - Don't:-** Leave the door open for long periods as this will increase the running costs.
 - Don't:-** Put liquid filled bottles or sealed cans containing carbonated liquids (fizzy drinks etc.) into the freezer compartment, as they may burst.
 - Don't:-** Try to keep frozen food which has thawed; it should be eaten within 24 hours, or cooked and re-frozen.
 - Don't:-** Give children lollipops and water ices direct from the freezer compartment. The low temperature may cause 'freezing burns' on their lips.
 - Don't:-** Store poisonous or dangerous substances in the freezer.
- Your freezer has been designed for the storage of edible foodstuffs only.

Storing Food

Storing food in your fridge compartment
You can store most fresh foods in the fridge compartment. Recommended maximum storage times are given in the table below.

	Days
Raw fresh meat	
joints, steaks, chops	1
offal (liver, kidney, etc.)	1
minced meat, sausages	1
Cooked meat	
cooked meat	1
made-up dishes and left-overs	1
Poultry	
fresh, whole (store giblets separately)	1
cooked	1
giblets	1
Fish	
raw	1
cooked	2
Bacon	
joints (uncooked)	2-8
rashers	2-10
ham (unsmoked)	1-3
Milk	
pasteurised and homogenized	1-3
Cream	
fresh	2
yoghurt, sour cream	2-10
Butter	
14-28	
Margarine and cooking fats	
21-28	
Cheese	
hard	7-28
semi-hard, blue	7-14
cream, cottage	7
Eggs	
shell	7-28
hard boiled	1-3
Vegetables	
2-14	
vegetables	2-14
Salad	
prepared	1-3

The coldest part of the fridge is above the Salad Crisper / Vegetable Drawer. Store fish, cooked meats, fresh meat, poultry, ham, sausages, milk and cream products in this area.

Store butter, eggs, preserves, cheese, margarine etc. in the commodity racks on the door; convenience foods and baked items on the centre shelf; drinks in the bottle rack; fruit, vegetables and salad items in the Salad Bins.

ALL FOOD ITEMS MUST BE WRAPPED.

Package cooked and raw food separately.

Any packages of food which have been opened and partly used; e.g. packs of cooked ham, must be rewrapped, to prevent the food from drying out.

All liquids **must** be covered before placing in the fridge. Canned foods, once opened should be transferred to a non metallic container and well wrapped or covered. Cooked foods should be allowed to cool before placing in the refrigerator.

Food items must be placed on the shelves to allow for a good circulation of cold air.

Do not line the shelves with materials such as paper, plastic or foil.

There are air circulation vents in the fridge compartment. One is situated at the top of the rear wall and the other, if opened, is above the rear section of the Salad Crisper drawer.

Do not obstruct these vents. It is essential, for maximum storage conditions, that the cold air is able to circulate freely.

Storing Food (cont)

Storing food in your freezer compartment

Your freezer compartment carries the ***F*** symbol which indicates that it is suitable for the long-term storage of 'commercially frozen' foods and can also be used to freeze and store fresh food. In general, long-term storage means up to 3 months, but this will vary with nature of the packaged food. Always follow the manufacturer's storage time given on the package. For storing 'home frozen' fresh food, refer to the pictorial guide provided on the freezer door liner.

If there is a power failure, do not open the freezer compartment door.

Frozen food should not be affected if the duration of power failure is less than 11 hours. If the failure duration is longer then the food condition should be checked, either eaten immediately or cooked and then re-frozen. Ensure the cooked food has cooled before placing in the freezer compartment.

Freezing fresh foods

Maximum freezing loads

When freezing fresh food, turn the temperature control dial to the coolest setting (7). Add the fresh food, ensuring it has cooled. After 24 hours return the control to its original setting.

Freezer contents card

Use a soft pencil to itemise both the contents of the freezer compartment and the 'use by' dates. A soft rubber can be used to erase the writing.

Do's and Dont's

Fridge compartment

- Do:-** Take off any unusable leaves on vegetables and wipe off any soil.
- Do:-** Leave lettuce, cabbage, parsley and cauliflower on the stem.
- Do:-** Wrap cheese tightly in grease proof paper and a polythene bag, excluding as much air as possible. For best results take out of the fridge compartment an hour before eating.
- Do:-** Wrap raw meat and poultry in polythene or aluminium foil. This will prevent drying.
- Do:-** Wrap fish and offal in polythene bags.
- Do:-** Wrap foods which have a strong odour, or can dry out, in polythene bags, aluminium foil or place in airtight containers.
- Do:-** Wrap bread well to keep it fresh.
- Do:-** Chill white wines, beer, lager and mineral water before serving.
- Do:-** Ensure that cooked foods are allowed to cool, before storing in the refrigerator.
- Do:-** Clean your Salad Crisper and Vegetable drawers regularly.
- Do:-** Keep raw meat and poultry below cooked foods and dairy products.
- Do:-** Keep food for as short a time as possible and adhere to 'best by' dates.
- Do:-** Ensure that cooked meat and raw meat are packaged separately.
- Do:-** Store all liquids in air tight containers.
- Do:-** Store food in the positions recommended by the manufacturers.
- Do:-** Ensure maximum air circulation around foods items.
- Do:-** Ensure vents are not blocked, covered or obscured.

Freezer compartment

- Do:-** Always choose high quality fresh food and be sure it is thoroughly clean before you freeze it.
- Do:-** Prepare fresh food for freezing in small portions to ensure rapid freezing.
- Do:-** Remember that lean foods keep longer than fatty foods.
- Do:-** Wrap all foods in polythene bags or aluminium foil, making sure that as much air is excluded as possible.
- Do:-** Ensure the freezer door is firmly closed at all times.
- Do:-** Separate foods in different baskets for ease of identification.
- Do:-** Wrap frozen food when you buy it and put it in the freezer compartment as soon as possible.
- Do:-** Empty and refill the ice tray periodically to ensure freshness.
- Do:-** Store commercially frozen food in accordance with the instructions given on the product packaging.
- Do:-** Always defrost frozen foods before cooking unless instructions state otherwise.
- Do:-** When you freeze fresh food ensure that it is well labelled and dated.

Free Manuals Download Website

<http://myh66.com>

<http://usermanuals.us>

<http://www.somanuals.com>

<http://www.4manuals.cc>

<http://www.manual-lib.com>

<http://www.404manual.com>

<http://www.luxmanual.com>

<http://aubethermostatmanual.com>

Golf course search by state

<http://golfingnear.com>

Email search by domain

<http://emailbydomain.com>

Auto manuals search

<http://auto.somanuals.com>

TV manuals search

<http://tv.somanuals.com>