

## **ROAST-N-HOLD™ GENTLE CONVECTION OVEN MODEL CO-151-HUA-6B (HALF SIZE)**

### **FEATURES AND BENEFITS:**

- Fully insulated half size Roast-N-Hold gentle convection oven designed for flavorful results by slow roasting.
- Slow convected air system promotes natural browning for flavor and seals in natural juices. Slow roasting means 15% to 20% less shrinkage.
- Efficient 4700 Watt power unit allows for reheating of prepared meals or bulk items. Maximum temperature 350°F. (176.5°C.).
- Pre-setting automatic controls for roasting and holding cycles allows for unattended operation 24 hours a day.
- Roast and hold over 120 lbs. (54 kg.) of meat in just 6 sq. ft. of floor space.
- Non-venting oven, permitted by most local codes, provides easy, inexpensive installation.
- Self-contained power top lifts off for ease of maintenance; available to suit your power requirements.
- 304 stainless steel construction throughout for ease of cleaning.
- Smooth interior coved corners prevent food particle/grease buildup.
- Field reversible insulated door prevents temperature loss. Silicone door gasket for proper seal. High temperature ceramic magnetic latch for "easy open" and security during transport. Latch and hinges mounted inboard.
- Standard with right hand hinging; left hand hinging available upon request.
- Push/pull handle mounted on rear allows easy maneuvering.
- Chrome plated wire universal angles accommodate a large variety of pan sizes on adjustable 1-1/2" spacing. Supplied with six sets of angles and three raised wire grids.
- Heavy duty 5" swivel casters, two with brakes. Provides mobility when fully loaded.
- Ovens can be stacked for flexibility.
- Free cooking manual and operation manual provided with the purchase of any Roast-N-Hold Oven.

### **POWER UNIT OPTIONS:**

- 4700 Watts, 208 Volts, 1 Phase, 60 Hz.
  - 4700 Watts, 240 Volts, 1 Phase, 60 Hz.
  - 4700 Watts, 208 Volts, 3 Phase, 60 Hz.
  - 4700 Watts, 240 Volts, 3 Phase, 60 Hz.
- Probe Power Unit Available at Extra Cost (see page E-6)



CO-151-HUA-6B

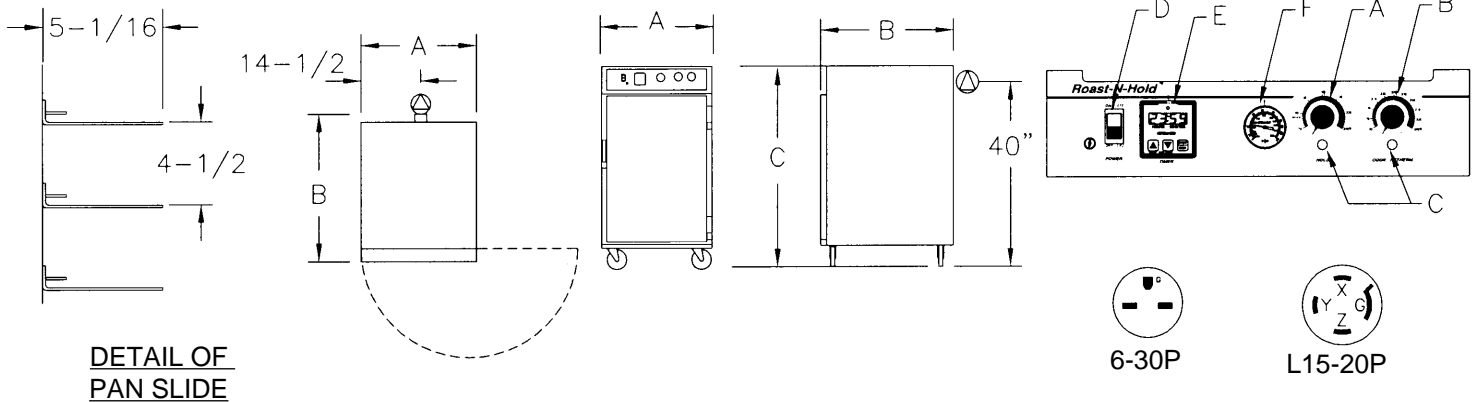
SANITATION  
CLASSIFIEDCLASSIFIED TO  
NSF4

### **ACCESSORIES and OPTIONS (Available at extra cost):**

- Stacking Kit
- Security Panel for Controls
- Tempered Glass Door Window
- Key Lock Latch
- Extra Universal Angles
- Extra Wire Grids
- Perimeter Bumper
- Corner Bumpers
- Floor Lock (for use with 5" casters)
- Various Caster Options
- 50 Cycle Service

See page E-10 for accessory details.

# CO-151-HUA-6B



CRES COR MODEL NO.	PAN		DIM "A" WIDTH	DIM "B" DEPTH	DIM "C" HEIGHT	INSIDE DIMENSIONS			WEIGHT ACT.		
	CAP/ANGLES	SIZE				WIDTH	DEPTH	HEIGHT			
CO-151-HUA-6B	6 SETS	SEE NOTE	IN	28-3/4	37-3/4	43-3/4	21-1/4	26-1/2	28	LBS	296
		BELOW	MM	740	960	1115	540	675	715	KG	134

Note: Refer to pan size chart at end of section.  
 ALL CONSTRUCTION IS RIVETED, WELDED AND FINISHED.

### CABINET:

- Body: 22 ga. 304 stainless steel.
- Reinforcement: Internal framework of 16 ga. stainless steel.
- Insulation: Fiberglass, thermal conductivity (K factor) is .23 at 75°F. 1-1/2" in back wall, door, base; 2" in side walls.
- Air tunnel: 20 ga. stainless steel, lift-out type; mounted on rear wall.
- Work Top: 18 ga., 304 stainless steel.

### BASE:

- One piece construction, .125 aluminum.
- Casters: 5" dia., swivel, modulus tires, 1-1/4 wide, load cap. 250 lbs. each, temp. range -45/+180°F. Delrin bearings. Front casters equipped with brakes.

### DOOR:

- Field reversible.
- Formed 22 ga. 304 stainless steel.
- Latch: Chrome plated steel, high temperature ceramic magnetic type; mounted inboard.
- Hinges: Heavy duty chrome plated steel, lift-off type; mounted inboard.
- Gasket: Perimeter type, silicone.
- Pan stops: Embossed.

### PAN SLIDES:

- Wire angles (.306 dia.), nickel chrome plated; mounted on lift-out posts.
- (6) sets of angles adjustable on 1-1/2" centers.
- Grids (3): Nickel chrome plated steel, raised wire 17" x 25".

### POWER REQUIREMENTS AVAILABLE:

- 4700 Watts, 208 Volts, 60 Hz., 1 phase, 24 Amps., 30 Amp. service.
- 4700 Watts, 240 Volts, 60 Hz., 1 phase, 20 Amps., 30 Amp. service.
- 4700 Watts, 208 Volts, 60 Hz., 3 phase, 13 Amps., 20 Amp. service.
- 4700 Watts, 240 Volts, 60 Hz., 3 phase, 12 Amps., 20 Amp. service.

### POWER UNIT COMPONENTS: (refer to above drawing)

- Body: Formed 20 ga. 304 stainless steel with black control panel, recessed and tilted 7°.
- A) Thermostat (holding): Solid state, room ambient to 250°F. (121°C.).
- B) Thermostat (cook/retherm): Solid state, room ambient to 350°F. (176.5°C.).
- C) Pilot lights (2).
- D) Switch: Lighted ON-OFF rocker type.
- E) Timer: 24 hr. digital countdown; infinite memory retention.
- F) Thermometer.
- Power cord: Permanent, 6 ft., 10/3 ga. with right angle plug.
- Heaters (3): 1470 Watts each.
- Blower motors (3).
- Vent fans (2).
- Fuses (2): 3 Amp.

### INSTALLATION REQUIREMENTS:

- Check local vent hood codes for mobile Roast-N-Hold ovens.

### SHORT FORM SPECIFICATIONS

Cres Cor Roast-N-Hold Half Size Convection Oven Model CO-151-HUA-6B. Removable power unit 20 ga. 304 stainless steel, recessed control panel. Cabinet and door 22 ga. 304 stainless steel; stainless steel internal frame; coved corner interior. Fiberglass insulation in sides 2"; back, door and base 1-1/2". High temperature magnetic latch. (6) sets universal angles for multiple pan sizes and spacing. One piece base .125 aluminum. 5" swivel modulus casters, Delrin bearings. Load capacity 250 lbs. each. 4700 Watts, \_\_\_\_\_ Volts, 60 Hz., \_\_\_\_\_ Phase. 2 year parts warranty. Provide the following accessories: \_\_\_\_\_ .  
 UL Sanitation, UL, CUL listed.



5925 Heisley Road • Mentor, OH 44060-1833  
 Phone: 877/CRESCOR • Fax: 440/350-7267  
 www.crescor.com

© Crescent Metal Products, Inc. 2002 All rights reserved

*In line with its policy to continually improve its products, CRES COR reserves the right to change materials and specifications without notice.*

Litho in U.S.A.

## Free Manuals Download Website

<http://myh66.com>

<http://usermanuals.us>

<http://www.somanuals.com>

<http://www.4manuals.cc>

<http://www.manual-lib.com>

<http://www.404manual.com>

<http://www.luxmanual.com>

<http://aubethermostatmanual.com>

Golf course search by state

<http://golfingnear.com>

Email search by domain

<http://emailbydomain.com>

Auto manuals search

<http://auto.somanuals.com>

TV manuals search

<http://tv.somanuals.com>