

OPERATING and MAINTENANCE INSTRUCTIONS For INSULATED HAND-LIFT CABINET; MODEL H-339214

ELECTRICAL SPECIFICATIONS:

MODEL	Volts	Watts	Amps	Hertz	Phase	NEMA
H-339214	120	900	7.5	60	1	5-15

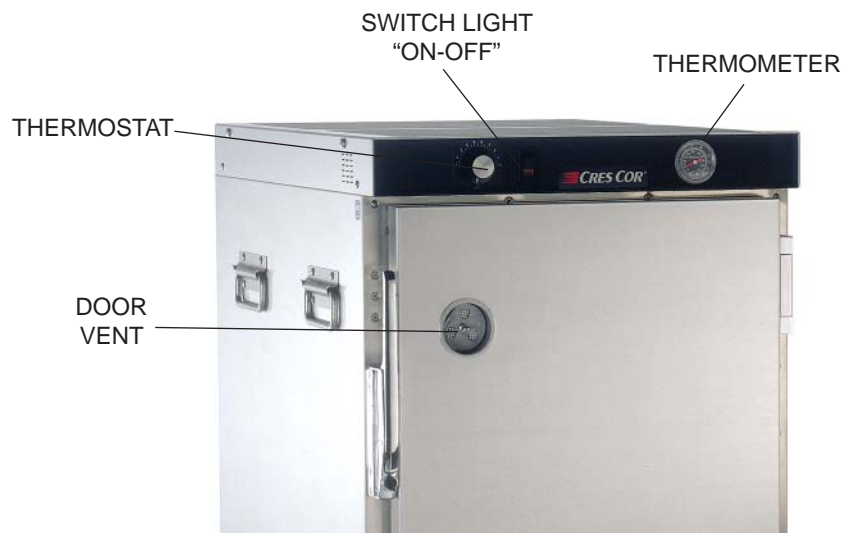


FIGURE 1

HOW TO INSTALL UNIT:

1. Plug cord into 20-amp wall outlet.
2. Place cabinet in a well ventilated area.
3. Push the switch on, turn the thermostat to No. 10 and run the unit for one hour.

NOTE: DO NOT PUT IN FOOD!

This step is to burn off manufacturing oils and excessive adhesive.

4. Let the cabinet cool and wipe inside clean with detergent and hot water before use.

HOW TO OPERATE UNIT: (Figure 1)

1. Push switch "ON". Yellow light will come on.
2. Turn thermostat to the temperature you need.

NOTE: No. 7½ setting will give you about 180° F. Proper food holding temperature is 140° F or higher.

3. Preheat cabinet for 45 minutes
4. Put food into cabinet.
5. Turn the wing nut on the door vent to open the vent when less humidity is needed.

To Turn Off Unit:

Push switch "OFF". The yellow light will go off.

NOTE: Thermometer gives the inside cabinet temperature.

Insulated Hand-lift Cabinet	FL-0520-12
Rev. 3 (10/08)	Page 2 of 4

OPERATING and MAINTENANCE INSTRUCTIONS

For INSULATED HAND-LIFT CABINET; MODEL H-339214

WARNING

BEFORE CLEANING CABINET:

1. Unplug power cord from wall.
2. Do NOT hose cabinet with water.
3. Do NOT get water on controls.
4. Do NOT use abrasives or harsh chemicals.

Hints:

1. Wipe up spills as soon as possible.
2. Clean cabinet regularly to avoid heavy dirt build-up.
3. Make a test spot with cleaner.
4. Follow manufacturer's directions on cleaner.
5. Do not mix cleaners
6. Avoid drips and splashes.

HOW TO CLEAN UNIT:

	SOIL	CLEANER	METHOD
CABINET Inside and Outside (Stainless Steel)	ROUTINE CLEANING	Soap, Ammonia, or mild* detergent and water	1. Sponge on with cloth. 2. Rinse with water. 3. Wipe dry.
	STUBBORN SPOTS AND STAINS	Mild abrasive made for stainless steel	1. Apply with damp sponge or cloth. 2. Rub lightly.
	BURNT-ON FOODS OR GREASE	Chemical oven cleaner for stainless steel	Follow oven cleaner manufacturer's directions.
	HARD WATER SPOTS and SCALE	Vinegar	1. Swab or wipe with cloth. 2. Rinse and dry.

** Mild detergents include soaps and non-abrasive cleaners*

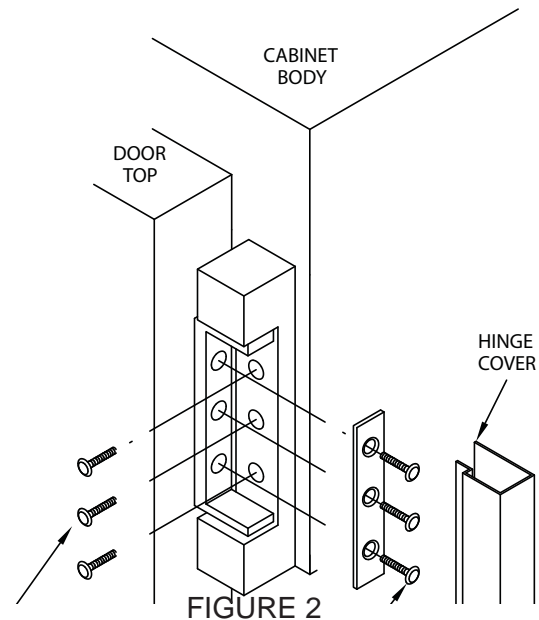
HOW TO ADJUST THE DOOR LATCH:

- | | |
|---|--|
| <ol style="list-style-type: none"> 1. For vertical adjustment
(Up and down movement): <ol style="list-style-type: none"> a. Loosen (2) screws located in magnetic strike on cabinet. b. Move strike up or down for alignment to magnet on latch. c. Tighten screws to secure | <ol style="list-style-type: none"> 2. For horizontal adjustment
(Greater or lesser magnetic draw): <ol style="list-style-type: none"> a. Loosen four (4) screws in latch on door. b. Move latch forward or backward to adjust magnetic draw. c. Tighten screws to secure. |
|---|--|

OPERATING and MAINTENANCE INSTRUCTIONS For INSULATED HAND-LIFT CABINET; MODEL H-339214

HOW TO REVERSE DOOR HARDWARE FOR OPPOSITE HAND (Refer to Fig. 3 [hinge]):

1. Pop off hinge covers with screwdriver.
2. Remove screws from hinges to cabinet; remove door and unscrew latch strike from cabinet.
3. Remove hinges, latch and all remaining screws from the right and left side of door. Keep all screws.
4. Re-mount hinges and latch in the same hole pattern on the opposite sides of the door. Plug all extra holes with screws.
5. Remove all screws from the front sides of cabinet (not the top and bottom).
6. Hold door up to cabinet and screw hinges to the cabinet.
7. Open door and re-mount the latch strike to cabinet.
8. Plug all extra holes with screws and snap on the hinge covers.



REPLACEMENT PARTS

Cord Set.....	H339214-08
Switch.....	0808-113
Heater Kit.....	0811-066-K
Thermostat Kit.....	0848-062-K
Terminal Block.....	0852-091
Thermometer.....	5238-030
Door Latch Kit.....	1006-122-01-K
Strike Kit.....	1006-122-02-K
Hinge Kit.....	0519-074-K
Gasket Kit.....	0861-077
Casters.....	0569-306
Casters w/Brake.....	0569-306-B
Door Replacement Kit.....	5508-084-SS
Rack Insert.....	1170-122

TROUBLE-SHOOTING CHART

FAILURE	POSSIBLE CAUSE/CHECK
1. Unit does not heat:	1a. Thermostat turned up. 1b. Switch is "ON". 1c. Cord is plugged into outlet. 1d. Circuit breaker/fuse for wall outlet
2. Unit will not turn off:	2a. Thermostat turned down. 2b. Switch is "OFF"

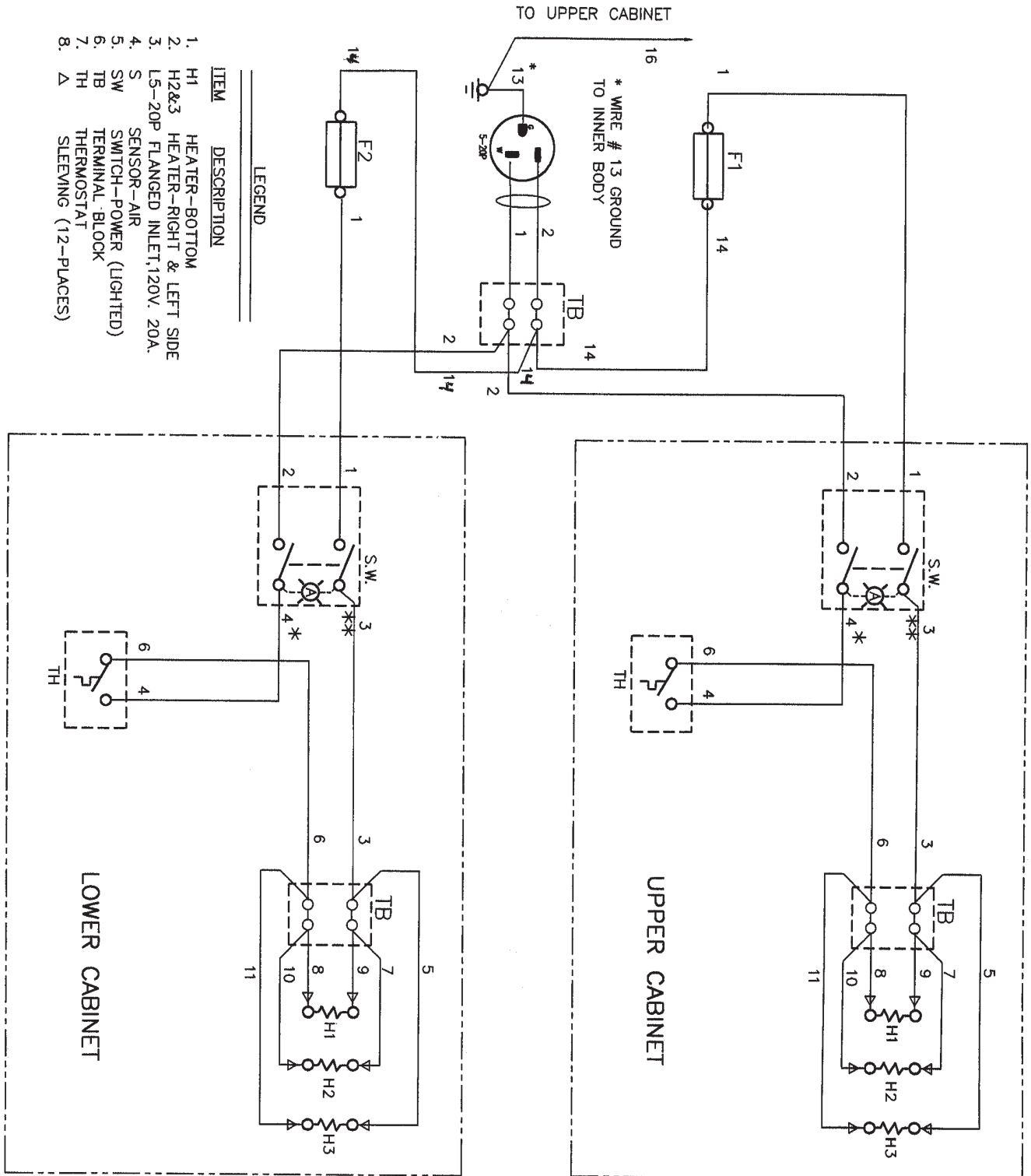
If cause is none of the above, refer to our list of authorized service agencies, FL-1400.

Instructions for replacing parts are included in replacement parts kits.

Insulated Hand-lift Cabinet	FL-0520-12
Rev. 3 (10/08)	Page 4 of 4

OPERATING and MAINTENANCE INSTRUCTIONS

For INSULATED HAND-LIFT CABINET; MODEL H-339214



Free Manuals Download Website

<http://myh66.com>

<http://usermanuals.us>

<http://www.somanuals.com>

<http://www.4manuals.cc>

<http://www.manual-lib.com>

<http://www.404manual.com>

<http://www.luxmanual.com>

<http://aubethermostatmanual.com>

Golf course search by state

<http://golfingnear.com>

Email search by domain

<http://emailbydomain.com>

Auto manuals search

<http://auto.somanuals.com>

TV manuals search

<http://tv.somanuals.com>