

# LQ 10P

## BIAMPED POWERED SPEAKER

### User Manual





Intended to alert the user to the presence of uninsulated “dangerous voltage” within the product’s enclosure that may be of sufficient magnitude to constitute a risk of electric shock to persons.



Intended to alert the user of the presence of important operating and maintenance (servicing) instructions in the literature accompanying the product.

**CAUTION:** Risk of electrical shock — DO NOT OPEN!

**CAUTION:** To reduce the risk of electric shock, do not remove cover. No user serviceable parts inside. Refer servicing to qualified service personnel.

---

**WARNING:** To prevent electrical shock or fire hazard, do not expose this appliance to rain or moisture. Before using this appliance, read the operating guide for further warnings.



Este símbolo tiene el propósito, de alertar al usuario de la presencia de “(voltaje) peligroso” sin aislamiento dentro de la caja del producto y que puede tener una magnitud suficiente como para constituir riesgo de descarga eléctrica.



Este símbolo tiene el propósito de alertar al usuario de la presencia de instrucciones importantes sobre la operación y mantenimiento en la información que viene con el producto.

**PRECAUCION:** Riesgo de descarga eléctrica ¡NO ABRIR!

**PRECAUCION:** Para disminuir el riesgo de descarga eléctrica, no abra la cubierta. No hay piezas útiles dentro. Deje todo mantenimiento en manos del personal técnico cualificado.

---

**ADVERTENCIA:** Para evitar descargas eléctricas o peligro de incendio, no deje expuesto a la lluvia o humedad este aparato. Antes de usar este aparato, lea más advertencias en la guía de operación.



Ce symbole est utilisé dans ce manuel pour indiquer à l'utilisateur la présence d'une tension dangereuse pouvant être d'amplitude suffisante pour constituer un risque de choc électrique.



Ce symbole est utilisé dans ce manuel pour indiquer à l'utilisateur qu'il ou qu'elle trouvera d'importantes instructions concernant l'utilisation et l'entretien de l'appareil dans le paragraphe signalé.

**ATTENTION:** Risques de choc électrique — NE PAS OUVRIR!

**ATTENTION:** Afin de réduire le risque de choc électrique, ne pas enlever le couvercle. Il ne se trouve à l'intérieur aucune pièce pouvant être réparée par l'utilisateur. Confiez l'entretien et la réparation de l'appareil à un réparateur Crest Audio agréé.

---

**AVERTISSEMENT:** Afin de prévenir les risques de décharge électrique ou de feu, n'exposez pas cet appareil à la pluie ou à l'humidité. Avant d'utiliser cet appareil, lisez attentivement les avertissements supplémentaires de ce manuel.



Dieses Symbol soll den Anwender vor unisolierten gefährlichen Spannungen innerhalb des Gehäuses warnen, die von Ausreichender Stärke sind, um einen elektrischen Schlag verursachen zu können.



Dieses Symbol soll den Benutzer auf wichtige Instruktionen in der Bedienungsanleitung aufmerksam machen, die Handhabung und Wartung des Produkts betreffen.

**VORSICHT:** Risiko — Elektrischer Schlag! Nicht öffnen!

**VORSICHT:** Um das Risiko eines elektrischen Schlages zu vermeiden, nicht die Abdeckung entfernen. Es befinden sich keine Teile darin, die vom Anwender repariert werden könnten. Reparaturen nur von qualifiziertem Fachpersonal durchführen lassen.

---

**ACHTUNG:** Um einen elektrischen Schlag oder Feuergefahr zu vermeiden, sollte dieses Gerät nicht dem Regen oder Feuchtigkeit ausgesetzt werden. Vor Inbetriebnahme unbedingt die Bedienungsanleitung lesen.

## IMPORTANT SAFETY INSTRUCTIONS

**WARNING:** When using electrical products, basic cautions should always be followed, including the following:

1. Read these instructions.
2. Keep these instructions.
3. Heed all warnings.
4. Follow all instructions.
5. Do not use this apparatus near water.
6. Clean only with a dry cloth.
7. Do not block any of the ventilation openings. Install in accordance with manufacturer's instructions.
8. Do not install near any heat sources such as radiators, heat registers, stoves or other apparatus (including amplifiers) that produce heat.
9. Do not defeat the safety purpose of the polarized or grounding-type plug. A polarized plug has two blades with one wider than the other. A grounding type plug has two blades and a third grounding plug. The wide blade or third prong is provided for your safety. If the provided plug does not fit into your outlet, consult an electrician for replacement of the obsolete outlet.
10. Protect the power cord from being walked on or pinched, particularly at plugs, convenience receptacles, and the point they exit from the apparatus.
11. Note for UK only: If the colors of the wires in the mains lead of this unit do not correspond with the terminals in your plug, proceed as follows:
  - a) The wire that is colored green and yellow must be connected to the terminal that is marked by the letter E, the earth symbol, colored green or colored green and yellow.
  - b) The wire that is colored blue must be connected to the terminal that is marked with the letter N or the color black.
  - c) The wire that is colored brown must be connected to the terminal that is marked with the letter L or the color red.
12. Only use attachments/accessories provided by the manufacturer.
13. Use only with a cart, stand, tripod, bracket, or table specified by the manufacturer, or sold with the apparatus. When a cart is used, use caution when moving the cart/apparatus combination to avoid injury from tip-over.
14. Unplug this apparatus during lightning storms or when unused for long periods of time.
15. Refer all servicing to qualified service personnel. Servicing is required when the apparatus has been damaged in any way, such as power-supply cord or plug is damaged, liquid has been spilled or objects have fallen into the apparatus, the apparatus has been exposed to rain or moisture, does not operate normally, or has been dropped.
16. Never break off the ground pin. Write for our free booklet "Shock Hazard and Grounding." Connect only to a power supply of the type marked on the unit adjacent to the power supply cord.
17. If this product is to be mounted in an equipment rack, rear support should be provided.
18. Exposure to extremely high noise levels may cause a permanent hearing loss. Individuals vary considerably in susceptibility to noise-induced hearing loss, but nearly everyone will lose some hearing if exposed to sufficiently intense noise for a sufficient time. The U.S. Government's Occupational Safety and Health Administration (OSHA) has specified the following permissible noise level exposures:

Duration Per Day In Hours	Sound Level dBA, Slow Response
8	90
6	92
4	95
3	97
2	100
1 1/2	102
1	105
1/2	110
1/4 or less	115

According to OSHA, any exposure in excess of the above permissible limits could result in some hearing loss. Ear plugs or protectors to the ear canals or over the ears must be worn when operating this amplification system in order to prevent a permanent hearing loss, if exposure is in excess of the limits as set forth above. To ensure against potentially dangerous exposure to high sound pressure levels, it is recommended that all persons exposed to equipment capable of producing high sound pressure levels such as this amplification system be protected by hearing protectors while this unit is in operation.

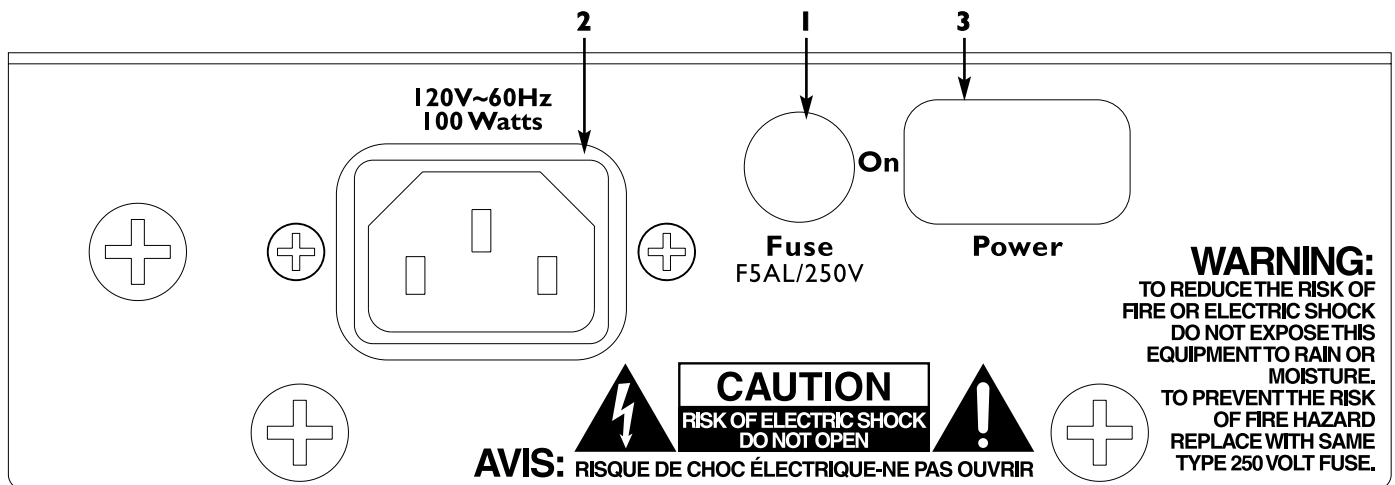
**SAVE THESE INSTRUCTIONS!**

The Crest LQ™ 10P features a biamped power section that provides 200 Watts peak dynamic power for the woofer and 70 Watts peak dynamic power for the compression driver tweeter, both with power amplifier compression. Offering a 10" premium long-throw woofer and the Crest HF™-1 compression driver, the LQ 10P provides line-level balanced inputs with volume control and loop-thru jacks.

## Features

- Bi-amplified powered system with 200 Watts total power!
- Both power amps have clipping prevention compression
- 10" premium heavy-duty, long throw woofer
- HF-1 2" Titanium compression driver
- Peak SPL in excess of 120 dB with music!
- 1/4" TRS and M/F XLR line-level balanced inputs
- Quadratic Throat Geometry horn has exceptionally smooth response and precise pattern control
- Link out/in jacks allow linkage with second unit
- Top handgrip

Rear Panel Features



**(1) FUSE**

The unit is AC power line fuse-protected from overloads and fault conditions with an ABC-type, fast-blow 5 Amp fuse. In the rare event of a fuse blowout, first make sure the unit is unplugged and the power switch is in the OFF position, then replace the blown fuse with a fast-blow, 5 Amp, 250 Volt AC-rated fuse **ONLY**. Be sure to fully seat and close the replacement fuse and fuse holder cap. Reconnect the unit to the AC power line, and with the volume turned completely down (fully counterclockwise), turn on the power switch. If the unit blows the fresh fuse, **DO NOT** continue to replace fuses, but have the unit checked by a qualified service technician.

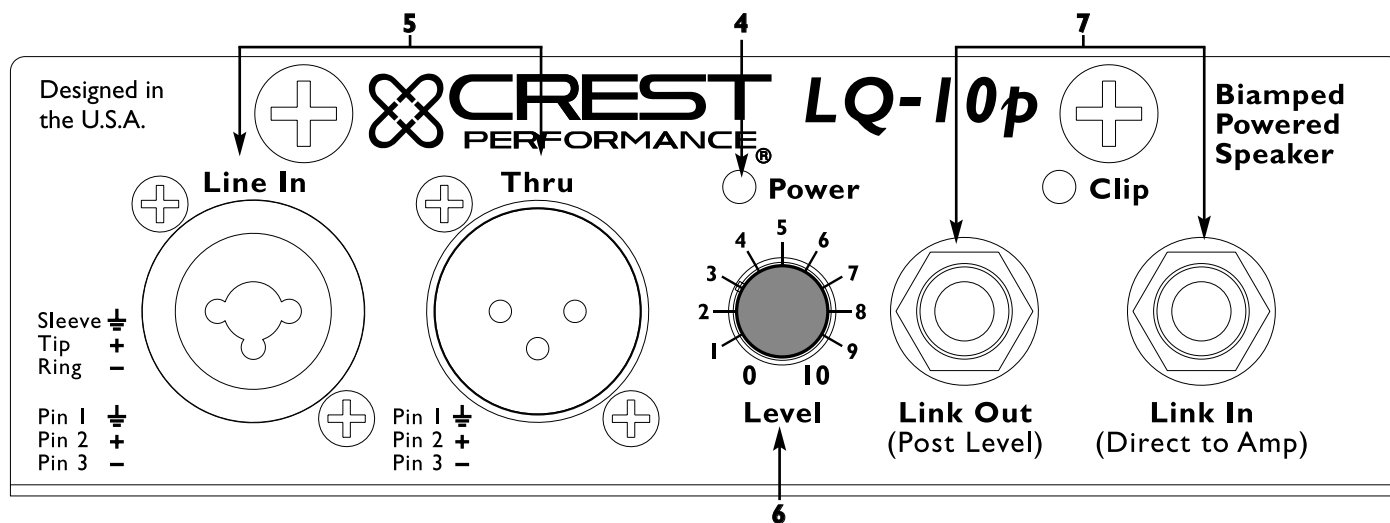
**(2) IEC POWER CORD CONNECTION**

The removable AC power cord plugs into this socket to supply AC line voltage to the power switch.

**(3) ON-OFF SWITCH**

This switch supplies AC power to the system electronics when switched to the ON position.

Front Panel Features



**(4) POWER LED**

Illuminates when the preamp electronics receive power and should illuminate when the On-Off Switch is in the ON position and the AC power cord is connected and plugged into the wall outlet.



**(5) LINE IN/THRU**

The input and output jacks are paralleled to allow the audio input signal to be daisy-chained to other devices. The “output” level is the same as the “input” level and there is no isolation between the various jacks. The input is medium impedance balanced. Jack (5a) is a combo female XLR and 1/4" RTS connector, and jack (5b) is a male XLR.


**(6) LEVEL**

Controls the gain of the LQ 10P system. When used with the Line In/Thru jacks (5), it directly sets the system output level.


**(7) LINK JACKS**

Link Out takes the signal after the balanced inputs and the level control and allows linkage to another LQ 10P via its Link In jack. The level control on the first powered speaker now controls the level of the linked powered speaker. These are unbalanced high-Z jacks, so do not run the cable very far.

### CAUTIONS


-  The unit must be disconnected from the AC power source before any work is done on it. Refer all servicing to qualified service personnel.

The heat sink on the back plate can become hot to the touch. Do not block or cover the heat sink from ventilation.


-  DO NOT connect the inputs of the LQ10P to the output of a power amplifier; the inputs are meant to be driven from a line level strength signal.

DO NOT remove the protective metal grille.


DO NOT use the INPUT/OUTPUT jacks as mixers by trying to run more than one signal source at a time into them. The INPUT/OUTPUT jacks (5) are all hard-wired together to allow use of any of the connector types as an input and to allow a further send or “daisy-chaining” of the input signal to some other audio device (such as another LQ 10P). Attempting to run two different signals directly into the LQ 10P could damage the outputs of the source units. Use a mixer to combine two or more signals into a single signal sent to the LQ 10P input.

-  **WARNING:** The LQ 10P is extremely efficient and powerful! This sound system can permanently damage hearing! Use extreme care setting the overall maximum loudness. The apparent sound level of the LQ 10P can be deceiving due to its clear, clean sound output. The lack of distortion or obvious distress can make the sound level seem much lower than it actually is. This system is capable of SPLs in excess of 120 dB at 1 meter from the speaker!

## FLYING THE LQ 10P

-  **Caution:** Suspending or flying the Crest LQ 10P must be done by a certified structural engineer.

Important Safety Information for Mounting Crest LQ 10P speaker systems:

-  **Caution:** Before attempting to suspend these speaker models, consult a certified structural engineer. Speakers can fall from improper suspension, resulting in serious injury and property damage. Other enclosures may not be suspended below one, nor should additional weight be suspended from one of these units. Use only the correct mating hardware. All associated rigging is the responsibility of others.


Always use all four inserts of a given group as a set; NEVER use just one insert to fly a cabinet! The four insert groupings are a top group of four and a bottom group of four. Some models also have a group of four on the rear plane of the cabinet.

Maximum enclosure angle from vertical hang: 30°

Always loop a suitable safety chain or wire rope through the top handle and firmly attach it to a suitable structural member as indicated by a certified structural engineer.

The recommended range of torque for the mounting bolt is 3 to 3-1/2 lb./feet of torque. DO NOT OVERTIGHTEN! If an insert spins, it has been damaged and the cabinet cannot be flown!


Never transport the cabinet while mounted on an array bracket or other mounting bracket. This may unduly stress the mounting inserts.

-  **WARNING! (note to structural engineer)**  
For the Crest LQ 10P, the thread insertion depth of the end of the mounting bolt should not be more than 5/16" past the surface of the cabinet.

If this thread insertion depth is exceeded, then the inserts may be damaged or unseated from the cabinet, severely compromising its mounting integrity!

The correct mounting bolt diameter and threads per inch are: 1/4" x 20. Use of a grade five bolt is recommended.

## GETTING AC POWER TO THE CREST LQ 10P

-  The LQ 10P comes with an 8' IEC connection AC power cord. When using an extension cord, ensure that it is no longer than necessary and is of a sufficient current capacity to maintain safety. High current, properly-sized extension cords will maximize the power output capability of the LQ 10P's internal amplifiers. For best results, do not power anything else from the extension cord used to power the LQ 10P. This minimizes the voltage drop that all extension cords cause. Running just one extension cord back to the wall plug for the entire sound system is not the way to maximize sound system performance. The third wire ground plug on the AC plug should NEVER be removed or broken off. This seriously compromises safety.



### **Special note for permanent installation**



When installing the Crest LQ 10P, AC power runs should be used and a certified electrician consulted to be sure that all AC wiring complies with local codes and regulations. Properly affix a cable clip to the cabinet to relieve strain on the IEC power cord connected to the amplifier module at (2) so the power cord cannot vibrate loose.

### **USE OF LQ 10P WITH A SUBWOOFER**

The built-in pole adapter allows use with the Crest LH 4 double 18" subwoofer system and its accessory pole, Crest part #P00326540.

The pole is 36-3/16" long, with a nominal diameter of 1-3/8".

### **GETTING A SIGNAL TO THE LQ 10P**

There's a variety of ways to input a signal to the LQ 10P system. Microphone input use is covered in a specific section below. The balanced line level inputs allow the use of a 1/4" phone plug, either a standard single-ended (tip-sleeve) plug or a balanced RTS (ring-tip-sleeve) type plug, OR either a male or female XLR plug. Do not connect cables to the jacks while the units are ON and the Volume is turned up!

While the standard, single-ended 1/4" phone plug will work well and the balanced input circuitry will provide some interference rejection, a balanced cable using either the balanced RTS 1/4" phone plug or the XLR plug will provide superior interference rejection and performance. With difficult interference problems, it may be helpful to lift the shield ground on a balanced cable at the LQ 10P end only. Check any input changes carefully, always turning the Volume control down before plugging and unplugging cables.

High-quality premium cables are recommended for the LQ 10P, as these usually have better shielding and materials and will provide greater long-term reliability. It is usually a good idea to leave some slack at the input to the LQ 10P and also to tape the cables down or run them under a cable guard. This may prevent someone from tripping over them or pulling the LQ 10P over when stand mounted.

### **LEVEL CONTROL ADJUSTMENT**

The LQ 10P is equipped with a Volume control to facilitate use in many different applications. With the Volume control adjusted fully clockwise, gain is at maximum and the input sensitivity is 0.5 Volts RMS for full-rated output. When driving the LQ 10P from a mixer, it may be advantageous to reduce the input sensitivity by turning the Volume control to the halfway point. The LQ 10P will now more closely match a typical power amp input.

If the mixer board indicates output signal clipping, then the LQ 10P's full power capability is not being utilized cleanly. Clipping the signal before it gets to the LQ 10P is not optimal. In this case, reduce the mixer output level and turn up the Volume control on the LQ 10P.

The amplifiers in the LQ 10P are equipped with clipping prevention compression, with an LED indicator to show if compression has engaged. If the sound seems heavily compressed, check this indicator; if the LED is

flashing frequently, then the drive level from the mixer (or the Volume control on the LQ 10P) needs to be reduced.

When first powering up the sound system, turn on all upstream electronics first, then the LQ 10P with its Volume control fully counterclockwise (all the way down). Begin checking levels with the mixer output level controls all the way down, then bring them up slowly with the LQ 10P Volume control set to the desired setting (halfway up recommended to start).

### **USE OF MULTIPLE LQ 10Ps WITH OTHER LQ SERIES POWERED PRODUCTS**

The provision of multiple parallel inputs allows the inputs of the LQ 10P to be “daisy-chained” from one to the other. Run the first cable from the mixer to the first LQ 10P, then hook a cable from one of its inputs to the second LQ 10P’s input. This can be continued for several units, depending on the length and total capacitance of all the cables. With a low source impedance, such as a typical mixer output, and typical balanced cables, two or three LQ 10Ps can be daisy-chained from one output using 30’ or 40’ cables without obvious loss of high frequencies.

The LINK jacks (10) can also be used to connect one other LQ 10P or one other LQ series powered unit and conveniently control levels from just one of the units. Connect a well-shielded 1/4” to 1/4” phone plug patch cord from the Link Out jack of one unit whose input is connected to the signal source, and then plug this cable into the other unit’s Link In jack. The Volume control of the first unit now controls the volume for both identically. Do not connect cables to the jacks while the units are ON and the Volume is turned up! The Link jacks are high impedance single-ended, so do not run this cable too long. Anything over approximately 20’-30’ may pick up hum or noise or roll-off the highs.

### **APPLICATIONS**

The LQ 10P has a variety of applications, such as sound reinforcement, public address, side fill system or musical playback. With the optional monitor stand kit, the LQ 10P makes an excellent stage monitor. The LQ 10P is also useful in presentations or karaoke using the mic input and regular line-level inputs in conjunction with one another.

A typical signal source for the line-level inputs (5) of the LQ 10P would be a sound reinforcement mixing console (mixer) or the output from a CD player, Minidisc player or tape deck.

### **TROUBLESHOOTING**

#### **No output at all**

First, make sure the unit has AC power and is turned on. If so, the Power LED (4) should be illuminated. If it is not, check that the On-Off switch (3) is in the “On” position; check the IEC power cord connection (2), making sure it is fully engaged and seated. Make sure the AC line cord is plugged into a working AC outlet, and last, check the fuse (1) {see the REAR PANEL/Fuse section for safety instructions}.

Make sure that the inputs of the LQ 10P are receiving a signal by plugging the cable run into the LQ 10P’s inputs to some other device capable of determining this (for example, a power amp and speaker).

If there is still no output, make sure the volume control has been turned up to a reasonable level (one-third to halfway).

Has the LQ 10P been in direct sunlight or excessive heat? If so, it may have triggered the thermal protection. Turn off the unit and cool as best as the situation allows. (DO NOT use liquids for this purpose!)

If there is still no output, it may help to read the owner's manual completely.

### **Hum or Buzz**

This can be AC outlet-related. Try plugging the LQ 10P into a different AC outlet. Sometimes using a different circuit (breaker) for the mixer and the LQ 10P can cause hum problems.

Check to make sure that shielded cables have been used to get the signal to the LQ 10P's inputs. Speaker cables with 1/4" or XLR plugs are very prone to hum.

Check to make sure light dimmers are not on the same circuit as the LQ 10P or the mixer (or any source devices). If light dimmers are in use, then it may be necessary to turn them fully on or fully off to eliminate or reduce hum to tolerable levels. This is an AC wiring/light dimmer interference problem, and not the fault of the LQ 10P.

The third wire ground plug on the AC plug should NEVER be removed or broken off. This seriously compromises safety.

### **Distorted or Fuzzy Sound**

First, make sure the mixer (or signal source) is not clipping or being overdriven. This can sometimes occur when the volume control (6) on the LQ 10P has been set too low (too far counterclockwise), and it takes a lot of signal to drive the unit to full power.

Make sure the input plugs are fully seated in the input jacks (5) on the rear panel of the LQ 10P.

Check to see that the proper inputs are being used (5) for line level signals. Make sure that a power amp has not been plugged into the input jacks of the LQ 10P.

If an extension cord is being used to provide the AC power to the unit, is it of sufficient current capacity and not also being used to supply power to any other units? See "GETTING AC POWER TO THE LQ 10P" for details.

The LQ 10P has built-in EQ to extend and smooth the natural response of the speakers in the system. Bass boost and HF EQ have been applied, and the system has a nominally flat response and should require little, if any, additional EQ. If excessive additional bass boost or HF boost have been added externally to the LQ 10P, it may cause premature overload at high SPLs. Try backing off any external EQ (mixer, rack equalizer) and see if that clears up any tendency to distort.

Finally, be aware that even though the LQ 10P is an extremely powerful and high output unit, it has limits and may need additional powered units or a subwoofer to provide enough sound output or coverage. In this case, try turning the mixer levels down a little to see if the sound clears up.

If after checking all the things listed to check and anything else you can think of to check safely, and the system still exhibits problems, carefully note all conditions and check with your Crest dealer for advice.

### **CARE and MAINTENANCE**

Your LQ 10P is a sturdy and durable product and will provide years of reliable use if properly cared for. Use common sense and read the safety warnings to avoid hazardous operating conditions.

#### **Sunlight/Heat**

Avoid prolonged exposure to direct sunlight, as this may cause the unit to overheat and thermally shut off. Excessively hot operating conditions can also cause a thermal shut-down.

Do not store in extremely hot or cold conditions, or extremely high humidity. Always allow unit to come to room temperature before use.

#### **Cleaning**



Never clean the LQ 10P while plugged in or turned on! When the unit has been fully disconnected from AC power sources, a dry cloth can remove soil or other dirt. Never use strong solvents on the LQ 10P, as they could damage the cabinet. Do not allow ANY fluids to drip inside the LQ 10P!

#### **Touch up**

If the LQ 10P cabinet becomes scratched or abraded, it can be touched up using a black permanent marker. First, if the area to be touched up is larger than a short scratch, rub it lightly with an unsoaped plastic scrub pad. Wipe the scratched or abraded area a little at a time with the black permanent marker and wipe away the surplus with a lint-free cloth. For an overall finish enhancement and protective coating, use gloves to apply either WD-40® or Armor-All® protectant to the surface of the plastic cabinet only. The cabinet will be slippery after these treatments. To minimize this, rub vigorously with a dry, lint-free cloth.

If the grille becomes discolored or shows signs of a white coating, you can use a cleaner such as 409® or Fantastic® to remove it. Dampen a clean cloth with the cleaner and rub it across the front surface of the grille. Wipe off any excess.

#### **Check for Secure Hardware**



After the first few months of use, and periodically thereafter, check the hardware of the Crest LQ 10P for tightness, including the rear panel screws and those holding the baffle and rear cabinet together. The unit is subject to a great deal of vibration, and this could cause them to become loose in time. Be careful not to overtighten or strip out any screws that screw into the plastic.

## DESCRIPTION

The Crest LQ 10P is a powered, bi-amplified, two-way speaker system engineered to provide the highest levels of performance and capable of over 120 dB peak SPLs. The enclosure utilizes high-impact polypropylene in an injection-molded plastic trapezoidal form with a coated, perforated metal grille to offer a cosmetically elegant yet durable powered speaker system.

This two-way powered system packs a 200 Watt dynamic peak power amplifier driving a 10" heavy-duty, long-throw woofer with a treated cone and dust cap for environmental stability. The HF-1 compression driver is driven by a 70 Watt peak dynamic power amplifier and features a 1.4" titanium diaphragm. The HF-1 is coupled with a patented Quadratic Throat Geometry constant directivity horn (US Patent #6059069) with a coverage pattern of 90° by 45° molded integrally into the enclosure.

The preamp/EQ's balanced inputs include one combo female XLR, a 1/4" RTS phone jack and one male XLR, all connected in parallel. The power amplifiers providing the bi-amplification are low-distortion units providing 150 Watts RMS into the nominal 8 Ohm load of the woofer and 50 Watts RMS into the nominal 6 Ohm load of the tweeter. They were selected for their reliability and superb performance capability. Both amplifiers have clipping prevention compression, which virtually eliminates audible power amplifier clipping.

Molded-in handles provide ease of transport, while multiple mounting points (top and bottom), equipped for an Omnimount™75 series and a molded-in stand adapter, provide for maximum utility.

### Architectural and Engineering Specifications

The Crest LQ 10P has a frequency response from 80 Hz to 20 kHz. The peak SPL with inaudible distortion reaches 120 dB with music as a source when measured at a distance of 1 meter and driven to full output capacity. The system utilizes a 10" heavy-duty, long-throw woofer and a HF-1 compression driver tweeter. The nominal radiation pattern is 90° in the horizontal plane and 45° in the vertical plane.

The powered, bi-amplified loudspeaker system has a group of medium impedance input connectors consisting of one combo female XLR, a 1/4" RTS phone jack and one male XLR, all on the rear panel and connected in parallel. A Link Out and a Link In jack is provided, and level control is located next to the input jack group.

The system power, amplifiers have an unfiltered frequency response of 10 Hz to 30 kHz, which deviates no more than +0, -1 dB up to rated power; a damping factor greater than 100 @ 1 kHz into 4 Ohms; hum and noise better than 90 dB below rated power; and THD and IMD of less than 0.1%. The woofer amplifier is capable of 150 Watts into an 8 Ohm nominal load, and the tweeter amplifier is capable of 50 Watts output into a 6 Ohm load. Both incorporate independent clipping prevention compression.

The input signal is electronically divided into high frequencies and low frequencies by a staggered pole, third order slope line-level crossover at 2 kHz. The low frequencies are processed to provide bass boost, subsonic filtering and overall response shaping, and the high frequencies are equalized for constant-directivity horn EQ and response shaping.

The enclosure is constructed of injection-molded polypropylene of 1/4" nominal thickness with a UL flame rating and internal reinforcing ribs. A vinyl-coated, perforated metal grille protects the woofer. The cabinet incorporates four tall, sturdy rubber feet for floor-standing use and four mounting point inserts on the top and bottom each for flying use.

The outside dimensions are 18.88" H x 14.00" W x 13.13" D, and weighs 36 lbs. Power requirements: Nominal 100 Watts, 120 VAC, 60 Hz domestic and 240 VAC, 50 Hz (European).

## SPECIFICATIONS LQ™ 10P

---

**Enclosure:**

Crest LQ™10P (domestic)

**Frequency response:**

80 Hz to 20 kHz

**Low frequency limit (-3 dB point):**

80 Hz

**Useable low frequency limit (-10 dB point):**

63 Hz

**Internal power amplifiers (@120 VAC line):**

Woofer - 200 Watts peak dynamic power

150 Watts at clipping

Tweeter - 70 Watts peak dynamic power

50 Watts at clipping

**Nominal sensitivity (1W @1m, swept sine input in anechoic environment):**

96 dB

**Maximum sound pressure level @ 1m:**

120 dB music peak

**Nominal radiation angle:**

90° horizontal by 4° vertical

**Transducer complement:**

10" premium, heavy-duty, long throw weather-resistant woofer and

Crest HF™-I 1.4" titanium diaphragm compression driver tweeter

**Box tuning frequency (Fbox):**

76 Hz

**Electroacoustic crossover frequency:**

2 kHz

**Crossover type:**

Internal electronic two-way crossover with CD horn EQ, level matching, active bass boost and subsonic filtering. The unit's horn is spatially aligned with its woofer, so there is no need for phase alignment or time delay of the signals.

**Crossover slopes:**

18 dB/octave (third order) low pass, 18 dB/octave (third order) high pass, both with staggered poles and driver EQ.

**Electronic input impedance (nominal):**

10 k Ohms unbalanced, 20 k Ohms balanced.

**Input Connections:**

One combo female XLR-1/4" phone jack and one male XLR, all providing balanced operation in parallel. Also has a 1/4" phone jack-based loop-thru that allows one other LQ 10P unit to be linked to the first unit for signal source and volume control.

**Enclosure materials and finish:**

Injection-molded high-impact polypropylene of a 1/4" nominal thickness with internal ribbing and bracing, textured finish, and a UL flame rating. Molded material is dark gray.

**Mounting:**

Flying via Omnimount™ 75 series (top or bottom of cabinet) and four rubber feet for floor use. Array brackets are available.

**Dimensions:**

Front: 18.88" H x 14.00" W x 13.13" D

480 mm x 356 mm x 334 mm

Rear: 17.63" H x 8.25" W x 13.13" D

448 mm x 210 mm x 334 mm

**Optional accessories:**

Floor monitor adjustable legs kit

**Net weight:**

36 lbs.

**Shipping weight:**

40 lbs.

**Additional remarks:**

Also available as a passively crossed-over unit

LQ 10

**ELECTRONICS AND AMPLIFIER SPECIFICATIONS:****Electronic input impedance (nominal):**

Primary balanced input: 10 k Ohms unbalanced, 20 k Ohms balanced.

Link Thru input: High-Z

**Infrasonic filter protection:**

36 dB/octave roll-off

**For both power amps:**

Nominal Amplifier Frequency Response: +0, -1 dB

from 10 Hz to 30 kHz

**Hum and noise:**

Greater than 90 dB below rated power.

**Clipping prevention compression dynamic range:**

Greater than 14 dB

**THD and IM:**

Typically less than 0.1%

**Woofer power amp:**

Damping Factor: Greater than 100 @ 1000 Hz, 8 Ohms.

**Nominal power requirements of LQ 10P system (domestic):**

100 Watts nominal, 120 VAC, 60 Hz.

---

Features and specifications subject to change without notice.

# LQ™ 10P Graphics

## Amplitude Response (1W 1m On-Axis)

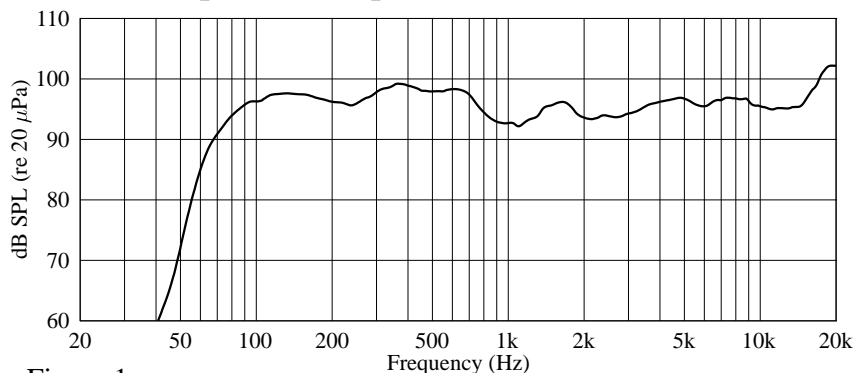


Figure 1

## Beamwidth

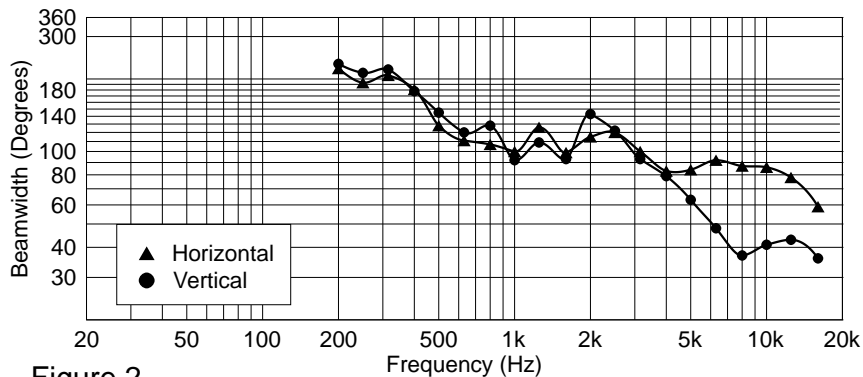


Figure 2

## Q & Directivity Index

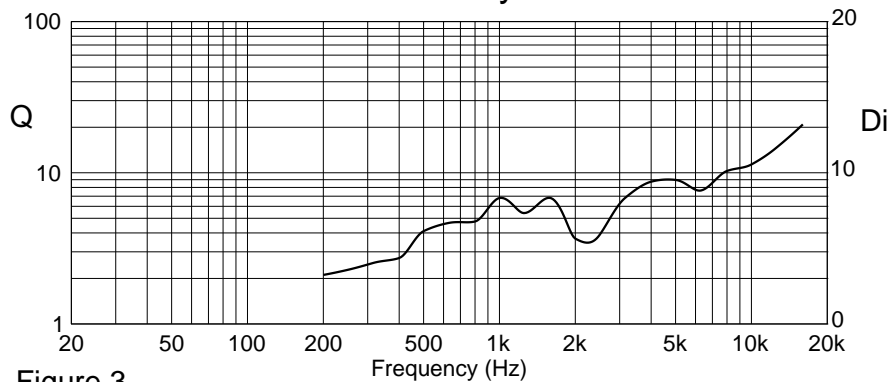
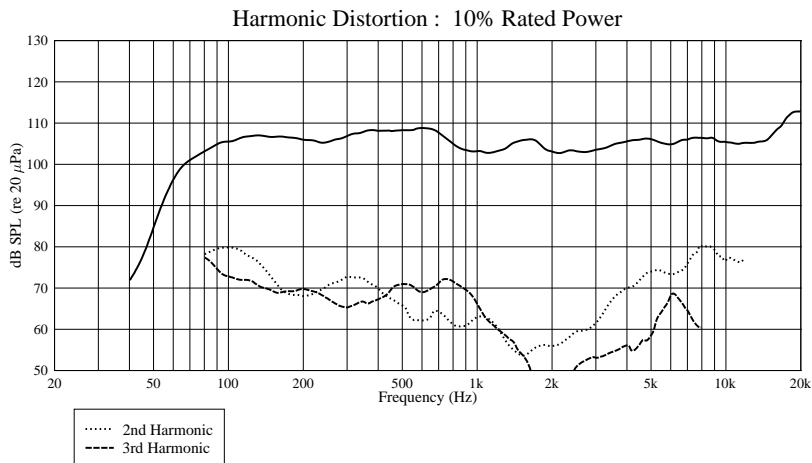
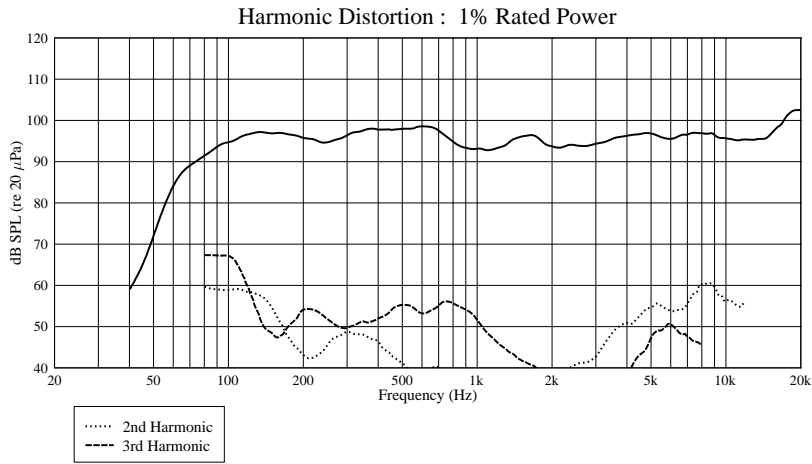


Figure 3

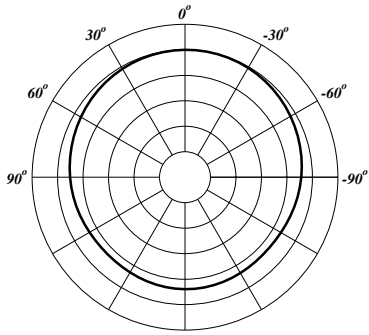


# LQ™ 10P Graphics

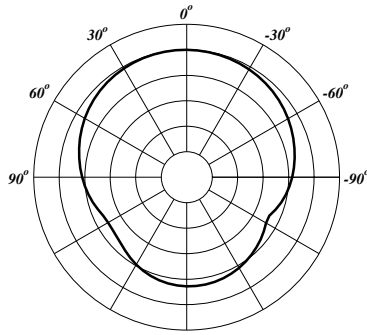


**Patterns**

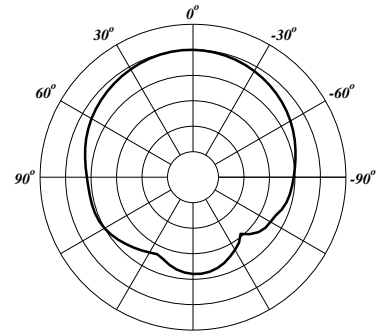
**LQ™ 10P**  
**Horizontal Polar Patterns**  
**6 dB per Division**



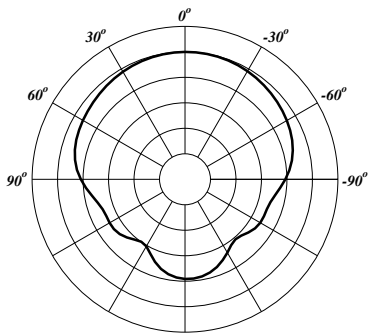
**200 Hz**



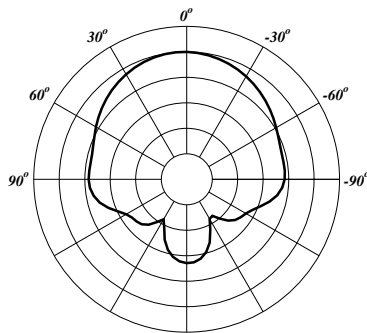
**250 Hz**



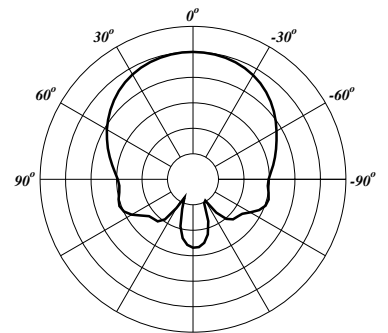
**315 Hz**



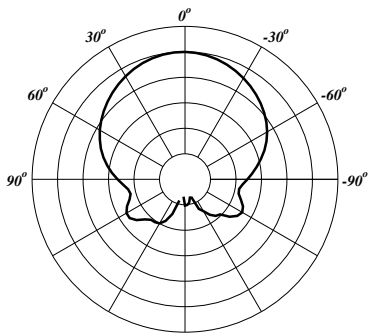
**400 Hz**



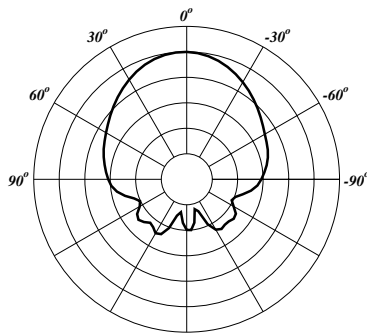
**500 Hz**



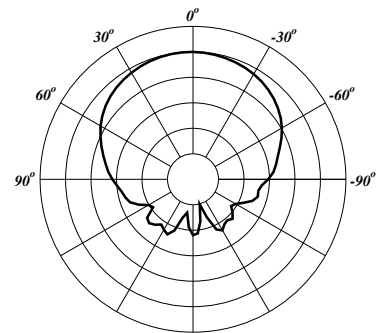
**630 Hz**



**800 Hz**



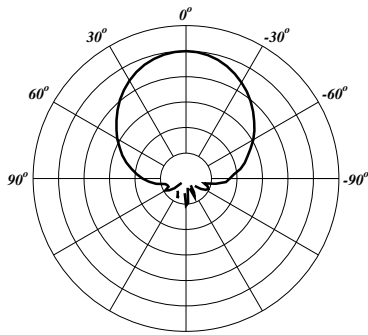
**1 kHz**



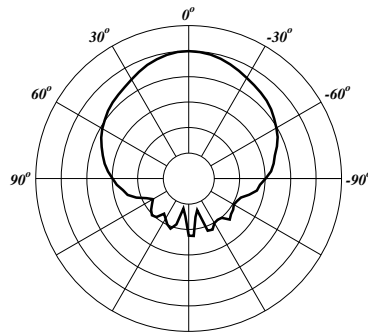
**1.2 kHz**

**Patterns**

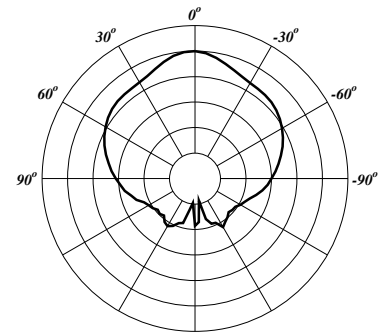
**LQ™ 10P**  
**Horizontal Polar Patterns**  
**6 dB per Division**



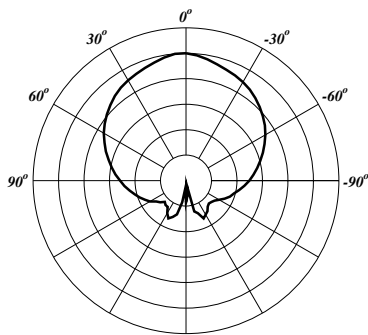
**1.6 kHz**



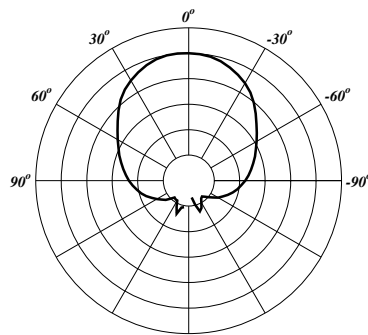
**2 kHz**



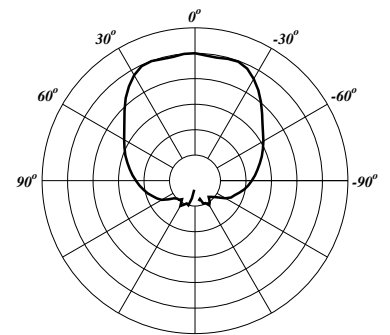
**2.5 kHz**



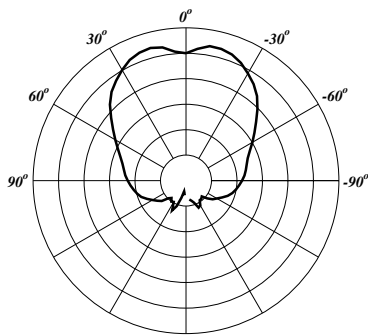
**3.15 kHz**



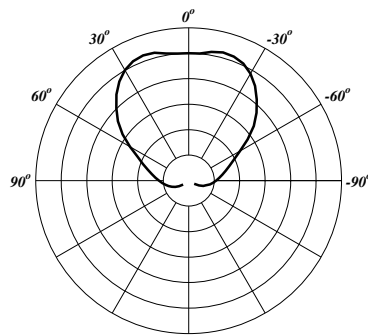
**4 kHz**



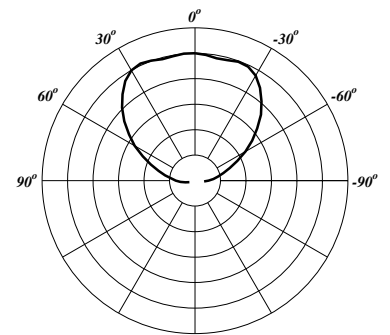
**5 kHz**



**6.3 kHz**



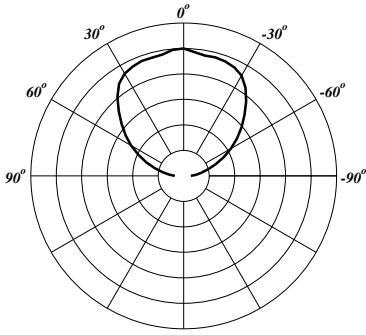
**8 kHz**



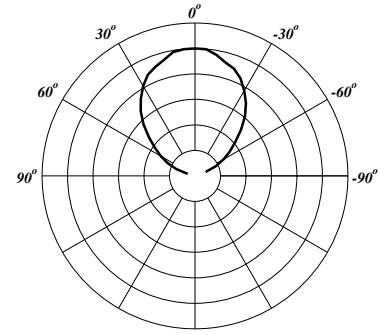
**10 kHz**

**Patterns**

**LQ™ 10P**  
**Horizontal Polar Patterns**  
6 dB per Division

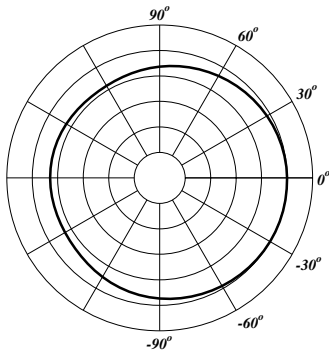


**12.5 kHz**

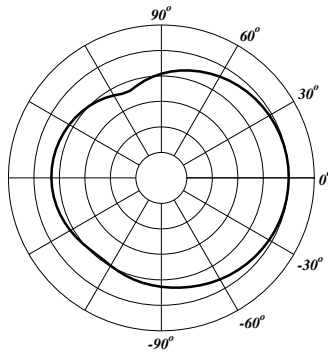


**16 kHz**

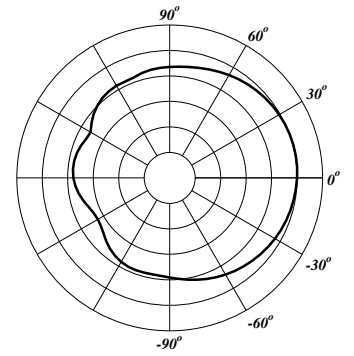
**LQ™ 10P**  
**Vertical Polar Patterns**  
6 dB per Division



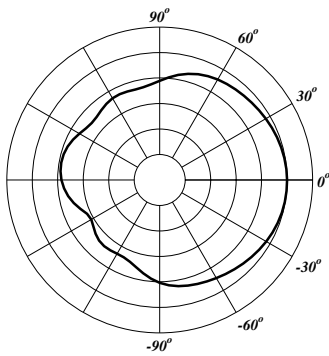
**200 Hz**



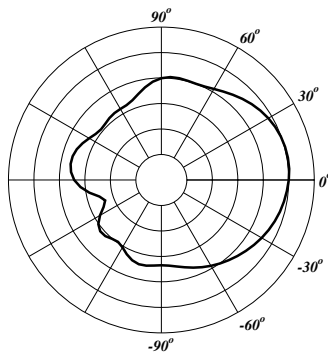
**250 Hz**



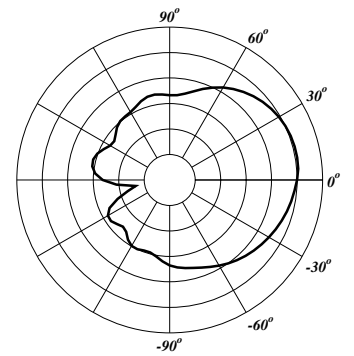
**315 Hz**



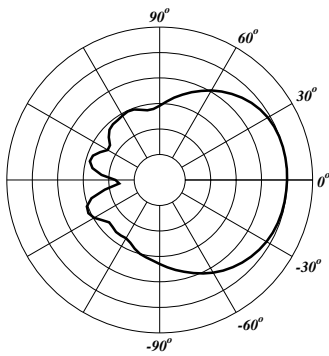
**400 Hz**



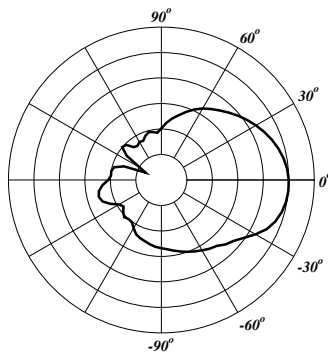
**500 Hz**



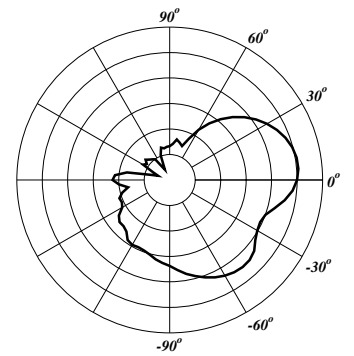
**630 Hz**



**800 Hz**



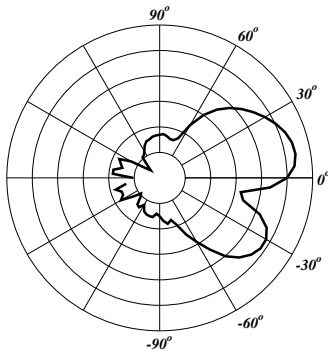
**1 kHz**



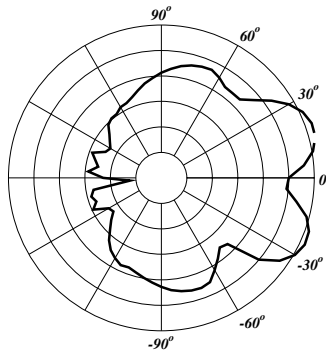
**1.2 kHz**

**Patterns**

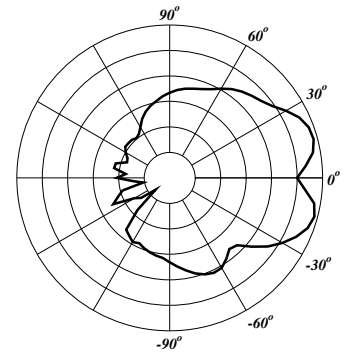
**LQ™ 10P**  
**Vertical Polar Patterns**  
6 dB per Division



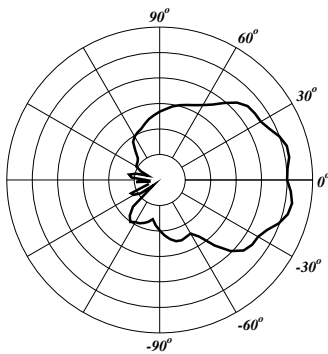
**1.6 kHz**



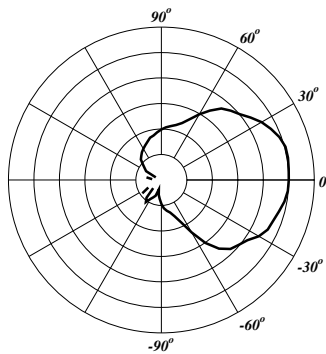
**2 kHz**



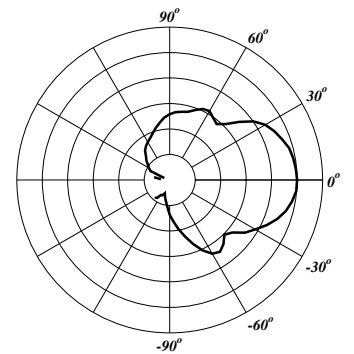
**2.5 kHz**



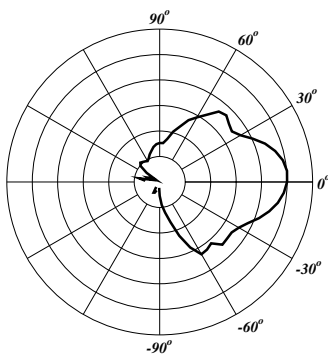
**3.15 kHz**



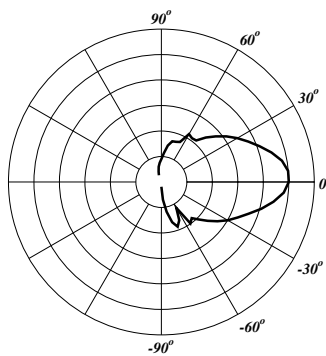
**4 kHz**



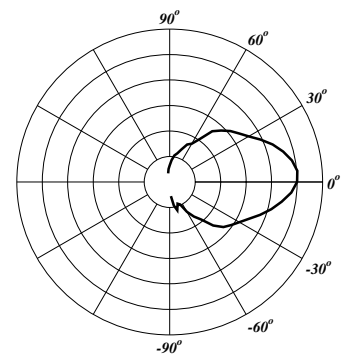
**5 kHz**



**6.3 kHz**



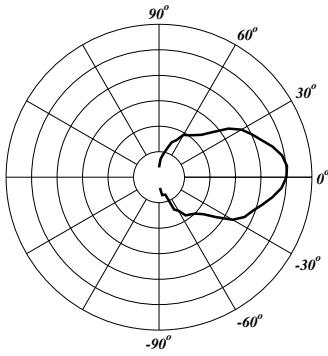
**8 kHz**



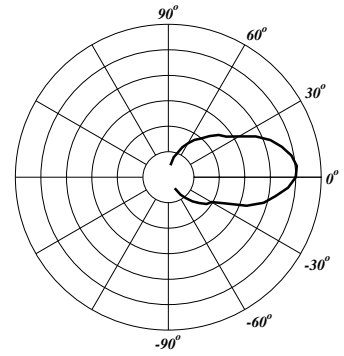
**10 kHz**

**Patterns**

**LQ™ 10P**  
**Vertical Polar Patterns**  
6 dB per Division

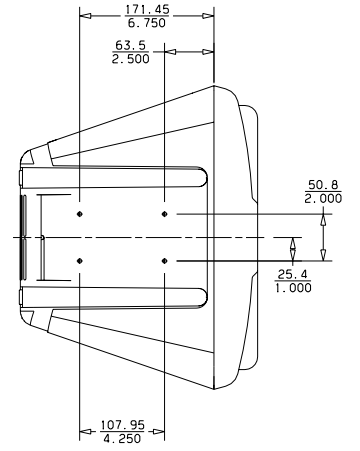
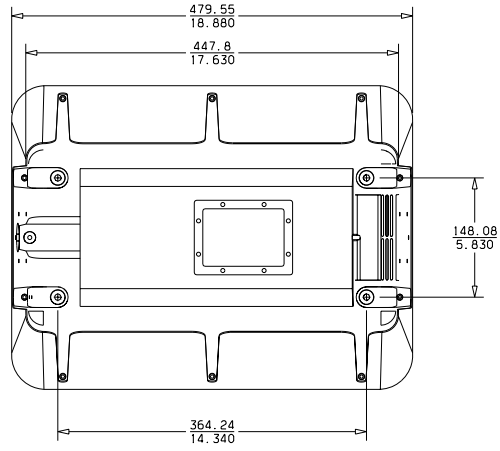
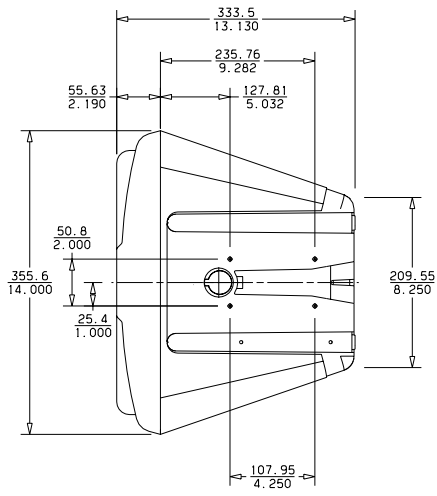


**12.5 kHz**



**16 kHz**

# Mounting Dimensions





The Crest LQ™ 10P features a biamped power section that provides 200 Watts peak dynamic power for the woofer and 70 Watts peak dynamic power for the compression driver tweeter, both with power amplifier compression. Offering a 10" premium long-throw woofer and the Crest HF™-I compression driver, the LQ 10P provides line-level balanced inputs with volume control and loop-thru jacks.

### Features

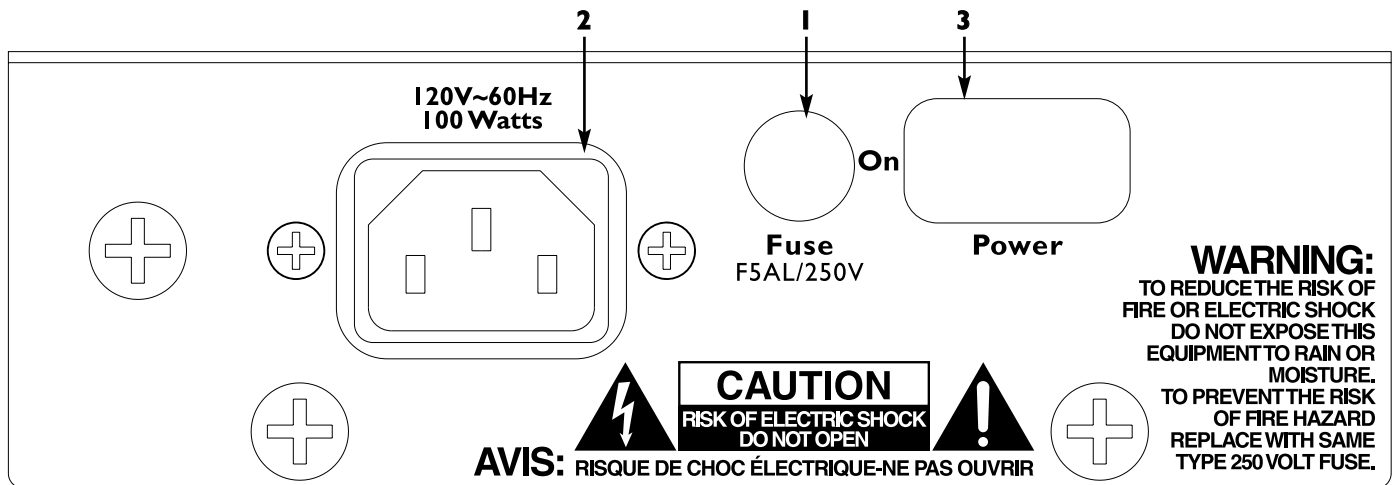
- Bi-amplified powered system with 200 Watts total power!
- Both power amps have clipping prevention compression
- 10" premium heavy-duty, long throw woofer
- HF-I 2" Titanium compression driver
- Peak SPL in excess of 120 dB with music!
- 1/4" TRS and M/F XLR line-level balanced inputs
- Quadratic Throat Geometry horn has exceptionally smooth response and precise pattern control
- Link out/in jacks allow linkage with second unit
- Top handgrip

El LQ™ 10P de Crest cuenta con una sección biamplificada que provee 200 Watts de poder dinámico para el woofer y 70 Watts de poder dinámico para el tweeter de compresión, ambos con compresión del amplificador. Ofreciendo un woofer de 10" de tirada larga y un driver de compresión Crest HF™-I, el LQ10P también ofrece entradas balanceadas de nivel línea con control de volumen y conexiones para circuitos (link).

### Características

- Sistema bi-amplificado con 200 watts de poder total
- Compresión para prevenir saturación en ambos amplificadores
- Woofer de 10" de largo alcance
- Driver de compresión de titanio HF-I de 2"
- Nivel de presión sonora arriba de 120 dB con música
- Entradas balanceadas TRS de 1/4" y XLR Masc/Fem de nivel de línea
- Corneta de geometría de garganta cuadrática con respuesta excepcionalmente suave y control preciso.
- Conexiones de entrada y salida de circuito (link) permitiendo conexión a una segunda unidad.
- Agarraderas en la parte superior

Características del Panel Trasero



**(1) FUSIBLE**



Esta unidad cuenta con protección de excesos y condiciones fallidas de corriente CA por medio de un fusible tipo ABC re rápida respuesta de 5 amperes. En el raro evento que la unidad vote el fusible, se debe desconectar de la toma de corriente y apagar (posición OFF), luego reemplazar el fusible con un fusible tipo ABC re rápida respuesta de 5 amperes y 250 Voltios SOLAMENTE. Hay que asegurarse que el receptáculo del fusible quede cerrado y que la tapa quede bien apretada. A continuación se debe reconectar con el volumen completamente abajo (completamente en contra de la dirección de las manecillas del reloj), y encender la unidad. Si la unidad vuela el fusible una vez más no se continúe reparando, la unidad debe ser verificada por un técnico de servicio calificado.

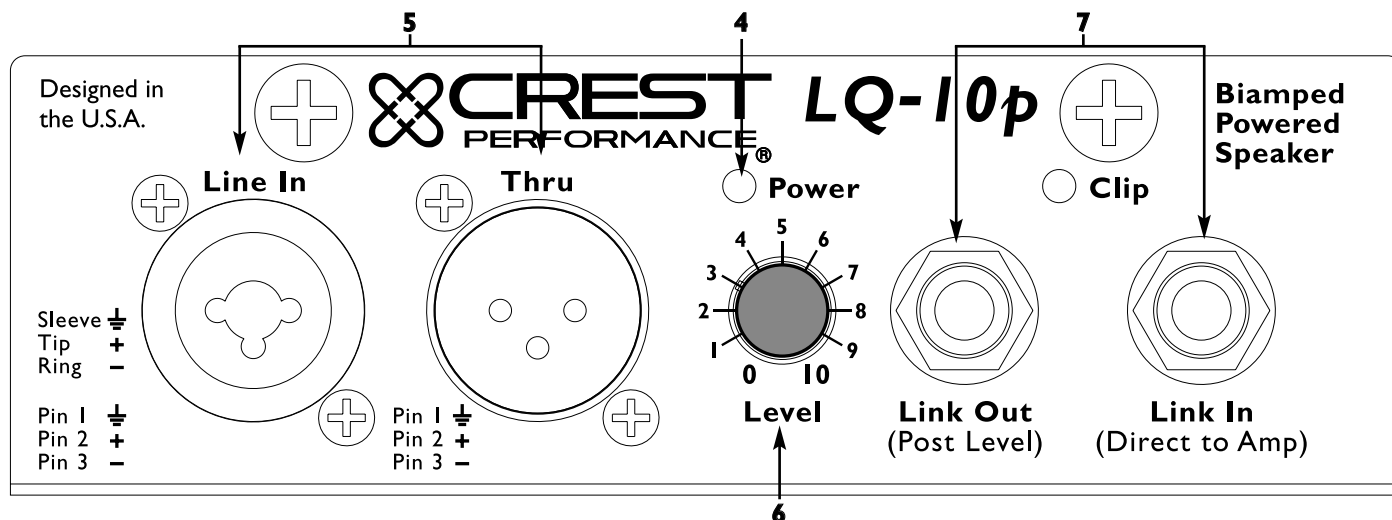
**(2) CONEXI N PARA CABLE DE CORRIENTE IEC**

El cable de corriente se conecta a este receptáculo para proveer corriente a la unidad.

**(3) INTERRUPTOR DE ENCENDIDO/APAGADO**

Este provee corriente al sistema cuando se pone en la posición de encendido (ON).

Front Panel Features



**(4) LED DE ENCENDIDO**

Este se ilumina cuando los electrónicos del preamplificador reciben corriente, el interruptor de encendido está en la posición de encendido y el cable de corriente está conectado a una fuente de corriente.

**(5) ENTRADA DE LINEA/A TRAVÉS**



Las conexiones de entrada y salida están cableadas en paralelo para que puedan ser usadas por otros aparatos. El nivel de salida es el mismo que el nivel de entrada, y no hay aislamiento entre las diferentes conexiones. La entrada es de impedancia media balanceada. La conexión (5<sup>a</sup>) es un combo 1/4" RTS y XLR femenino y la conexión (5b) es XLR masculino.

**(6) NIVEL**

Controla la ganancia (nivel) del sistema LQ™ 10P. Cuando se usa con las conexiones de entrada/a través (5), ajusta el nivel de salida del sistema directamente.

**(7) CONEXIONES DE INTERCONEXIÓN**

La salida link Out recibe señal después de las entradas balanceadas y del control de nivel y la manda a otro LQ™ 10P vía la entrada de Link. El control de nivel en el primer altavoz amplificado a su vez controla el nivel de la interconexión del altavoz amplificado. Estas son conexiones no balanceadas de alta impedancia, por lo que no se deben usar cables muy largos.

### PRECAUCIONES



Esta unidad debe ser desconectada de la toma de corriente CA antes de realizar cualquier trabajo en ella. Todo servicio debe ser llevado a cabo por personal calificado.



La trampa de calor en la parte trasera puede estar caliente al tacto. Nunca se debe cubrir o bloquearle la ventilación.

NUNCA se deben conectar las entradas del LQ 10P a la salida de un amplificador. Las entradas han sido diseñadas para ser alimentadas por señales de nivel de línea.

NUNCA quites la rejilla metálica de protección

NUNCA se deben usar las entradas/salidas como mezcladora con más de una señal a la vez. Los conectadores de entrada/salida (5) están interconectados para permitir el uso de cualquiera de los tipos de conectores como entrada y para permitir la salida de la señal de entrada a otra unidad de audio (como otro LQ 10P). El intentar correr señales diferentes al LQ 10P puede dañar las salidas de la unidad que alimentan. Se debe usar una mezcladora para combinar dos o más señales a una sola señal de entrada para el LQ 10P.



**CUIDADO:** El LQ 10P es extremadamente poderoso y eficiente. Este sistema de sonido puede dañar tus oídos permanentemente. Se debe usar máxima precaución cuando se ajusten los volúmenes máximos. El nivel de sonido del LQ 10P puede ser engañoso dada su calidad y limpieza en el sonido. La falta de distorsión puede hacer que el nivel de sonido parezca más bajo de lo que está. Este sistema es capaz de producir niveles de presión sónica (SPL) encima de los 120 dB a 1 M del parlante.



**Cuidado:** El suspender o volar las LQ 10P de Crest es un proceso que debe ser llevado a cabo por un ingeniero certificado.

Información importante de montaje del sistema de parlantes LQ 10P de Crest:



**Cuidado:** Antes de intentar suspender este modelo de parlantes, consulta a un ingeniero de estructuras calificado. Los parlantes se pueden caer de suspensiones incorrectas, resultando en daños al equipo y personales. Otros sistemas no pueden ser suspendidos debajo de uno, o tampoco se debe añadir peso adicional a las unidades. Usa solamente equipos de instalación adecuados. Todo lo asociado con la instalación de las unidades es responsabilidad de otros.

Siempre hay que usar los cuatro insertos de un grupo como conjunto, NUNCA se use sólo un inserto para volar una unidad. Los grupos de insertos son uno de cuatro en la parte superior, otro de cuatro en la parte inferior y algunos modelos cuentan con otro grupo de cuatro en la parte trasera de la unidad.

El ángulo máximo para colgar verticalmente es de 30°

Siempre se debe usar una cadena o cuerda metálica, amarrada del asa superior, y esta debe estar propiamente instalada a una estructura firme como lo indique un ingeniero capacitado.

La presión de tornillo para el tornillo de montura es de 3 pies a 3 pies 1/2 por libra. NO SE SOBRE APRIETE. Si uno de los insertos da vueltas, ha sido dañado y la unidad no podrá ser volada.

Nunca se debe transportar la unidad mientras está montada. Esto puede causar seria presión en las piezas y en los insertos.



**CUIDADO (nota para el ingeniero estructural)**

Para el LQ 10P de Crest la profundidad de inserción del tornillo de instalación no debe ser mayor a 5/16" de la superficie de la unidad.

Si se sobrepasan estas profundidades, los insertos pueden ser dañados o soltarse, comprometiendo seriamente la instalación de montura de la unidad.

Las medidas correctas de los tornillos para colgar son 1/4" X 20 de diámetro. El uso de un tornillo de grado cinco es recomendable.



**LLEVAR CORRIENTE EL CTRICA AL LQ 10P DE CREST**

Los LQ 10P de Crest vienen con un cable de corriente IEC de 8 pies. Es posible que se use algún tipo de extensión para aplicar corriente al sistema, por lo que recomendamos que dicha extensión no sea más larga de lo necesario, y que tenga la capacidad suficiente para mantener una operación segura. Las extensiones de la capacidad más alta y no más largas de lo necesario maximizarán la capacidad de salida de los amplificadores internos del LQ 10P. Para reducir bajas de voltaje causadas por todas las extensiones de corriente, no se use la extensión del LQ 10P para alimentar ningún otro aparato. Esto minimiza la caída de voltaje que causan todas las extensiones. Usar sólo una extensión de la toma de corriente de la pared para alimentar

un sistema entero no es la manera de maximizar la capacidad del sistema de sonido. La tercera aguja en el cable de corriente NUNCA debe ser quitada, esto compromete seriamente la seguridad del sistema.

#### **Nota Especial Para Instalaciones Permanentes**



Cuando se instale la LQ 10P de Crest, se recomienda consultar un electricista calificado para asegurarse que todos los cableados de CA van de acuerdo con los códigos y regulaciones locales. También es recomendable que el cable IEC sea asegurado al gabinete (2) por medio de un clip para que no se pueda soltar debido a las vibraciones.

#### **USO DEL LQ 10P CON UN SUBWOOFER**

El adaptador de atril incluido permite el uso de un sistema de subwoofer de 18" LH™4 de Crest, y el atril diseñado para uso con este, parte Crest #00326540.

El atril usado es de un largo de 36-3/16" y cuenta con un diámetro de 1-3/8".

#### **LLEVANDO SE AL AL LQ 10P**

Existen varias formas para hacer llegar señal al LQ 10P. El uso de la entrada de micrófono se cubre mas abajo. Las entradas balanceadas de nivel de línea aceptan plug de 1-4"; ya sean de dos vías (punta-manga) o TRS balanceados (punta-anillo-manga); así como conectadores XLR masculinos y femeninos. Nunca se deben conectar cables a la unidad mientras esta esté encendida y el volumen arriba.

Mientras que el cable normal de 1/4" funcionará bien, y la los circuitos de la entrada balanceada proveen algo de rechazo a la interferencia, un cable balanceado ya sea RTS 1/4" tipo plug o XLR proveerán mejor rechazo y rendimiento. Algunas veces, con problemas graves de interferencia, es recomendable levantar la tierra en un cable balanceado sólo del lado del LQ 10P. Hay que verificar todos los cambios de entradas, siempre bajando el control de volumen antes de conectar y desconectar cables.

El uso de cables de primera calidad es recomendado para las LQ 10P, ya que estos por lo general tienen mejor aislamiento y materiales, y darán mejores resultados y durabilidad. Es una buena idea dejar algo de cable suelto al lado del LQ 10P, así como usar cinta adhesiva para asegurar los cables y evitar que alguien se tropiece con ellos o jale el LQ 10P.

#### **AJUSTE DE CONTROL DE VOLUMEN**

Las LQ 10P han sido equipadas con un control de volumen para facilitar su uso en una variedad de aplicaciones. Con el control de volumen ajustado completamente en dirección de las manecillas del reloj, la ganancia estará a la máxima sensibilidad de 0.5V RMS. Cuando se alimenta la LQ 10P por medio de una consola, puede ser recomendable reducir la sensibilidad de entrada ajustando el control de volumen a la mitad. La LQ 10P ahora se acercará más a un amplificador típico al que la consola está acostumbrada.

Si la consola indica saturación en sus señales de salida, entonces la capacidad del LQ 10P no está siendo explotada limpiamente. Saturar la señal antes que llegue al LQ 10P no es óptimo. En ese caso, se debe reducir el nivel de salida y subir el volumen en el LQ 10P.

Los amplificadores del LQ 10P están equipados con un sistema de prevención de saturación y un LED que indica que este ha sido activado. Si el sonido parece estar seriamente comprimido, verifica este indicador LED y si indica más de un parpadeo ocasional, entonces el nivel de la mezcladora (o el control de volumen del LQ 10P) debe ser reducido.

Cuando se enciende el sistema por primera vez, hay que encender todas las corrientes eléctricas primero, luego las LQ 10P con el control de volumen hasta abajo, o en contra de las manecillas del reloj. Hay que verificar niveles con la salida de la consola hasta abajo y levantando los niveles poco a poco con el control de volumen del LQ 10P al nivel deseado (se recomienda a la mitad).

### **USO DE MÚLTIPLES LQ 10Ps U OTROS PRODUCTOS DE LA SERIE AMPLIFICADA LQ**

La inclusión de múltiples entradas paralelas del LQ 10P permite que sean conectadas en serie de una a la otra. El primer cable va de la consola a la entrada del primer LQ 10P, luego conecta un cable de una de las entradas a una entrada del segundo LQ 10P. Esto puede continuar por varias unidades, dependiendo de la longitud de los cables y la capacidad de los mismos. Con una fuente de impedancia baja, como la salida de una consola típica, y cables típicos balanceados, 2 ó 3 LQ 10P pueden ser conectadas de una salida usando cables de 30 o 40 pies sin pérdidas considerables de frecuencias agudas.

Los conectadores 'a través' (Link) (10) también pueden ser usados para conectar múltiples LQ 10Ps u otras unidades amplificadas de la serie amplificada LQ, convenientemente controlando el volumen desde una de las unidades. Hay que conectar un cable propiamente aislado de 1/4" de la salida Link Out de la unidad que tiene la entrada conectada a la fuente, y luego se conecta ese cable a la entrada Link In de la siguiente unidad. El control de volumen de la primera unidad ahora controla el volumen de las dos de forma idéntica. No se deben conectar cables cuando las unidades estén encendidas y el volumen subido. Las conexiones de Link son de alta impedancia, por lo que los cables no pueden ser muy largos. Cualquier distancia encima de 20' ó 30' puede comenzar a recibir ruido o pérdida en los agudos.

### **APLICACIONES**

Las LQ 10P tienen una variedad de aplicaciones como el sonido en vivo, sistemas de aviso público, side fills o reproducción musical. Con los accesorios adecuados, el LQ 10P también puede ser un excelente monitor de escenario. Se pueden hacer presentaciones o karaoke con una LQ 10P usando la entrada micro y de línea regular en conjunto.

Una fuente de señal típica para las entradas de línea (5) de la LQ 10P sería una consola de sonido en vivo (mezcladora), o las salidas de un CD, minidisc o reproductor de cintas.



### **No Hay Salida**

Antes que nada hay que asegurarse que la unidad cuenta con corriente eléctrica y que está encendida. El LED de encendido (4) debe estar iluminado. Si no lo está, hay que verificar que el interruptor de encendido/apagado (3) está en la posición de encendido (ON). Hay que verificar el cable IEC y la conexión de corriente (2), asegurándose que está completamente conectado en ambos lados. Verificar que la fuente de corriente de la pared está activa, y por último checar el fusible (1) (ver sección de FUSIBLE para instrucciones).

Por último hay que verificar que los cables que llevan señal al LQ 10P lo están haciendo efectivamente. Esto se puede verificar conectando los cables que están entrando el LQ 10P a otra unidad capaz de determinar esto (por ejemplo, un amplificador y unas bocinas)

Si sigue sin haber salida, hay que verificar que el control de volumen ha sido subido a un nivel razonable (1/3 o a la mitad)

Si el LQ 10P ha estado en luz directa del sol, o bajo condiciones muy calientes es posible que la protección térmica haya sido activada. Hay que apagar la unidad y enfriarla lo más posible dentro de las condiciones (NO SE DEBEN usar líquidos para esta operación).

Si sigue sin haber salida, puede ser recomendable leer el manual completo.

### **Ruidos**

Esto puede tener que ver con la fuente de corriente. Se puede intentar conectar el LQ 10P a otra fuente de corriente. A veces si se usa un circuito diferente para la mezcladora y la LQ 10P puede resultar en ruidos (hum).

Se puede verificar que los cables que se usan para llevar señal al LQ 10P están propiamente aislados. Los cables de bocinas de 1/4" y XLR pueden ser muy propensos al ruido (hum).

Es importante comprobar que no hay "dimmers" de luces en el mismo circuito que las LQ 10P o la mezcladora (o cualquiera de las unidades en la cadena de audio). Si se usan dimmers de luces, puede ser necesario que estos se ajusten al máximo o al mínimo para eliminar problemas de ruido o reducirlos a niveles tolerables. Esto es una interferencia de cableado con el dimmer, y no es culpa del LQ 10P.

La tercera aguja del cable de corriente NUNCA debe ser quitada ya que hacerlo arriesga seriamente la seguridad del sistema.

### **Sonido Distorsionado o Sucio**

Antes que nada, hay que verificar que la consola, o fuente de señal no está saturando. Esto puede ocurrir cuando el control de volumen (6) del LQ 10P ha sido ajustado demasiado bajo (contra las manecillas del reloj), y requiere demasiada señal para alimentarse.

Asegúrate que las conexiones están bien medidas en las entradas (5) de la parte trasera del LQ 10P.

Hay que verificar que se estén usando las entradas correctas (5) y no la entrada de micro (8) para señales de nivel de línea. Hay que verificar también que no se ha conectado un amplificador a las entradas del LQ 10P.

Si se está utilizando una extensión de corriente para llevar electricidad a la unidad ¿Es de suficiente capacidad de corriente y no está alimentando a ninguna otra unidad? Ver LLEVANDO CORRIENTE AL LQ 10P para más detalles.

Las LQ 10P cuentan con un ecualizador integrado para extender la respuesta suave y natural de los parlantes del sistema. Se aplica un incremento en los graves y en las frecuencias agudas, y la respuesta del sistema es bastante plana y requerirá poco o nada de ecualización posterior. Si se han incrementado considerablemente las frecuencias graves o agudas externamente al LQ 10P, esto puede causar saturación prematura a niveles de presión altos. Trata de reducir los ecualizadores externos a ver si esto soluciona el problema de la distorsión.

Finalmente hay que aceptar que a pesar de que las LQ 10P son unidades de capacidades muy elevadas y de alta calidad, también tiene limitantes y pueden requerir unidades amplificadas adicionales o un subwoofer para brindar suficiente cobertura en ciertas aplicaciones. Es este caso, trata de bajar los niveles de la consola un poco para aclarar el sonido.

Si después de verificar todas estas cosas, y cualquier otra que se te ocurra, el sistema sigue teniendo problemas, cuidadosamente apunta todos los síntomas y verificalos con un distribuidor Crest.

### **CUIDADO Y MANTENIMIENTO**

Tu LQ 10P es un producto sólido y durable, que te dará años de uso si se cuida propiamente. Hay que usar sentido común y leer las notas de cuidado para evitar una operación arriesgada.

#### **Calor/Luz del sol**

Se debe evitar la exposición prolongada a los rayos del sol, ya que esto puede causar que la unidad se caliente y cancele su operación temporalmente. Condiciones de uso con temperaturas elevadas también pueden causar que el sistema térmico apague la unidad.

No se almacene en condiciones de temperatura extrema, baja o alta, o humedad. Siempre hay que darle tiempo a la unidad de ponerse a la temperatura del cuarto antes de usarla.

#### **Limpieza**



Nunca se debe limpiar el LQ 10P mientras esté conectado o encendido. Una vez que la unidad ha sido completamente desconectada de la corriente un paño seco puede usarse para quitar tierra y suciedad. Nunca se deben usar solventes fuertes en el LQ 10P, ya que pueden dañar el terminado. No se debe permitir que NINGUN líquido caiga dentro del LQ 10P.

#### **Retosques**

Si el LQ 10P se llegara a raspar o rallar, puede ser retocado usando un plumón marcador permanente negro. Primero, si el área a retocarse es mayor a una pequeña ralladura, debe limpiarse con un material no poroso y sin jabón. A continuación se pintarán las partes dañadas con el plumón y se

pueden limpiar los excedentes con tela. Para que luzca de la mejor manera y se proteja aconsejamos aplicar un producto como Armour-All® o WD-40® a la superficie plástica del gabinete solamente. Nótese que la superficie quedará resbalosa después de la aplicación del producto, para minimizar este efecto recomendamos pasarle un paño seco varias veces.

Si la rejilla perdiera color o muestra manchas blancas se puede usar un limpiador casero como Fantastic® o 409® para limpiar la rejilla. Se recomienda usar un paño limpio humedecido con el producto limpiador, y limpiar la rejilla con el mismo.

### **Verificar la Seguridad de las Piezas**



Después de los primeros meses de uso, y periódicamente durante la vida del producto, se recomienda verificar que todas las piezas y tonillos del LQ 10P estén correctamente instaladas y apretadas, incluyendo los tornillos de la parte trasera, los tornillos que detienen el baffle y la parte trasera del gabinete. La unidad está sujeta a grandes cantidades de vibración y esto puede causar que las piezas se suelten. Hay que tener cuidado de no sobre apretar tornillos que entran a piezas plásticas.

### **DESCRIPCIÓN**

El LQ 10P de Crest es un sistema de parlantes de dos vías, bi-amplificado diseñado para brindar los más altos niveles de ejecución en una unidad compacta y amplificada. Capaz de producir 120 dB de presión sonora (SPL), este sistema puede producir una gran cantidad de sonido. La unidad está hecha con polipropileno inyectado en plástico moldeado de forma trapezoidal, con una rejilla cubierta para ofrecer un sistema de parlantes tanto elegante como durable.

Este sistema de dos vías se compone de un amplificador de 200 W dinámicos alimentando un woofer sólido de 10" con cono tratado de largo alcance y elementos de protección contra el clima. El driver de compresión HF™-I es alimentado por un amplificador de 70 Watts dinámicos y cuenta con un diafragma de titanio de 1.4". El HF-I incluye una corneta de directiva constante de geometría de garganta cuadrática (US Patent #6059069) con un patrón geométrico de cobertura de 90° por 45° moldeado integralmente a la estructura.

Las entradas balanceadas para el preamplificador/EQ son de tipo combo femenino XLR y 1/4" TRS y un XLR masculino, todas conectadas en paralelo. Los amplificadores que proveen la bi-amplificación son de baja distorsión brindando 150 W RMS a la carga nominal de 8 ohmios del woofer y 50 W RMS a la carga nominal de 6 ohmios del tweeter. Fueron seleccionados por su durabilidad y excelente capacidad de reproducción de música. Ambos amplificadores cuentan con un sistema de compresión que virtualmente elimina la saturación audible del amplificador.

Las manijas brindan facilidad de transporte, mientras que los diferentes puntos de montura (arriba y abajo) para la serie Omnimount™ 75 ofrecen máxima utilidad.

### **Especificaciones Arquitectónicas y de Ingeniería**

El LQ 10P de Crest cuenta con una respuesta de frecuencias de 80 Hz a 20 kHz. El punto más alto de presión sonora (SPL) antes de distorsión escuchable debe llegar a 120 dB SPL con música, cuando se mide a 1 metro

y a capacidad completa de salida. El sistema debe utilizar un woofer de 10" de largo alcance y un tweeter de fuente comprimida HF-1. La forma de cobertura será de 90° en plano horizontal y 45° en plano vertical.

El sistema de parlantes biamplificado debe tener un grupo de entradas de impedancia media consistiendo de un combo femenino XLR y 1/4" TRS plug, y un XLR masculino, en el panel trasero, todas conectadas en paralelo. Adicionalmente, una entrada de micrófono con interruptor individual (XLR femenino) debe ser incluida. Una salida y entrada de Link deben ser incluidas. Un control de volumen estará localizado junto al grupo de entradas.

Los amplificadores del sistema deben tener una respuesta sin filtros de 10 Hz a 30 kHz, desviándose no más de +0, -1 dB del poder medido, con un factor de reducción mayor a 100 @ 1 kHz a 4 ohmios, con hum y ruido mejor que 90 dB debajo del poder medido y THD y IMD a menos de 0.1%. El amplificador del woofer debe tener capacidad de 150 W a una carga nominal de 8 ohmios, y el amplificador del tweeter debe tener capacidad de 50 W de salida a una carga de 6 ohmios. Los dos deben incorporar compresión independiente para prevenir saturación.

La señal de entrada debe ser dividida electrónicamente en frecuencias graves y agudas por un crossover de tercer grado de nivel de línea a 2 kHz. Las frecuencias graves deben ser procesadas para incluir un aumento de graves, filtros subsonoros y forma general de respuesta, y las frecuencias agudas deben ser ecualizadas para directividad constante en la corneta y forma de respuesta.

La unidad debe ser construida de polipropileno moldeado por inyección con profundidad nominal de 1/4" con medida de flama UL y costillas de refuerzo internas. La rejilla perforada cubierta de vinil debe ser incluida para protección del woofer. El gabinete debe incorporar cuatro patas sólidas del hule para pararse en el piso, y cuatro puntos de montura en la parte inferior y superior para volarlas.

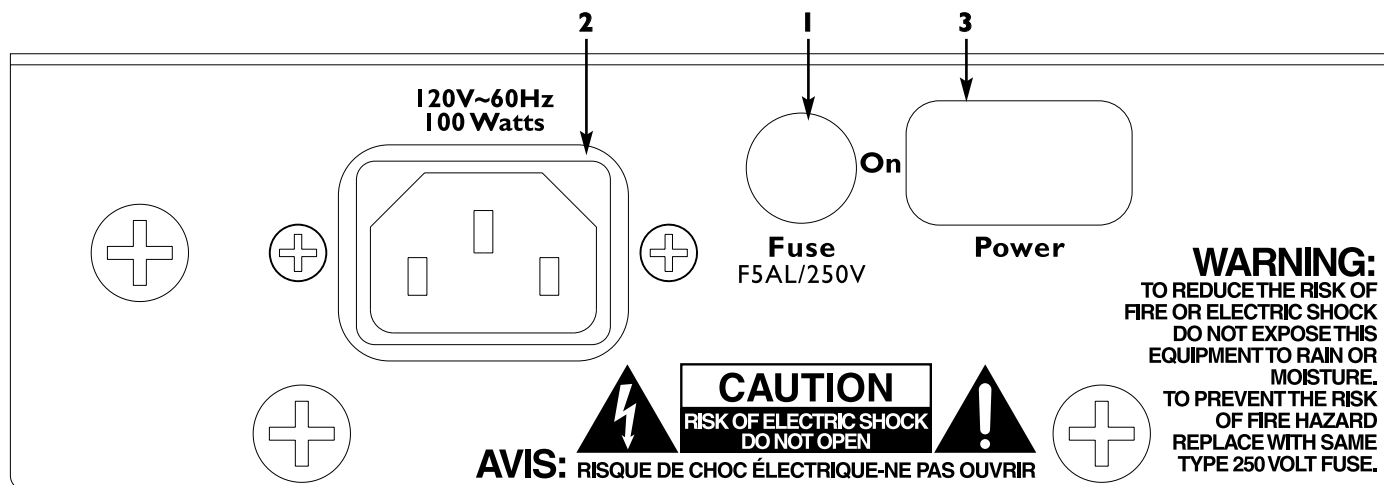
Las medidas externas deben ser 18.88" de alto por 14.00" de ancho por 13.13" de profundo, y el peso debe ser 36 lbs. Los requisitos de corriente deben ser: 100 watts nominales, 120 VAC, 60 Hz para unidades domesticas y 240 VAC, 50 Hz para europeas.

La Crest LQ™ 10P possède une section bi-amplification lui fournissant 200 watts peak pour le haut-parleur et 70 Watts peak pour le moteur de compression, toutes deux munies du système de protection Peavey DDT™. Equipée d'un haut-parleur 10" longue-portée et du moteur de compression Crest HF™-I, la LQ 10P offre des entrées ligne symétriques ainsi qu'un contrôle de volume et une sortie pour chaînage d'enceintes.

### Caractéristiques

- Système bi-amplifié d'une puissance totale de 200 W!
- Système de protection de diffusion sur les deux amplis de puissance
- Haut-parleur 10" longue-portée
- Moteur de compression 2" (51mm) HF-I
- Sensibilité de sortie Peak SPL à plus de 120 dB!
- Entrées lignes symétriques 1/4" TRS et M/F XLR
- Moteur de compression monté sur trompe dite Quadratic Throat Geometry procurant une réponse douce et contrôlable
- Jacks d'entrée/sortie permettant de chaîner plusieurs unités
- Poignée de transport

Rear Panel Features



**(1) FUSIBLE**

Votre unité est protégée par un fusible de type ABC de 5 Ampères. Dans le cas ou celui-ci grille, mettre votre unité hors tension (déconnecter le câble d'alimentation), puis remplacer le fusible par un équivalent de même valeur (5A-250V). Assurez-vous de repositionner correctement le support de fusible. Mettez le volume de votre unité au minimum, puis reconnecter votre enceinte à sa source d'alimentation. Mettre votre unité sous tension. Si le nouveau fusible ne résiste pas la charge, contactez votre revendeur ou un centre technique qualifié.

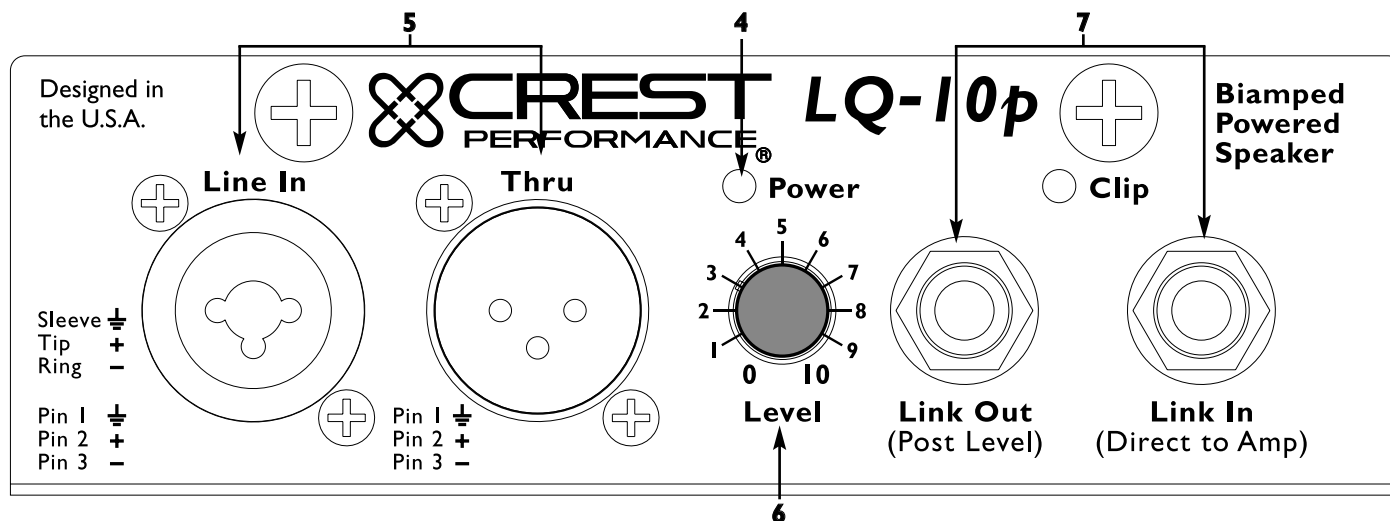
**(2) CONNECTEUR IEC**

Connectez ici le cordon d'alimentation de l'appareil.

**(3) INTERRUPTEUR ON-OFF**

Cette interrupteur met l'appareil sous-tension en position "1".

Front Panel Features



**(4) LED D ALIMENTATION**

S'illumine lorsque l'appareil est sous tension.

**(5) ENTREES/SORTIES PRIMAIRES**



Les entrées sont placées en parallèle afin de faciliter le chaînage d'enceintes. Le niveau d'"entrée" est le même que le niveau de "sortie" est aucune isolation n'est réalisée entre les différents connecteurs. Les entrées sont de type symétrique et ultra-silencieuses. L'une est une prise XLR mâle (5B) et l'autre est une prise combo femelle (5A) XLR et Jack TRS (Pin 1 = Masse, Pin 2 = +, Pin 3 = -).


**(6) VOLUME**

Contrôle le niveau de sortie de votre LQ-10P. Si vous utilisez les entrées primaires (5), il vous permet de choisir votre niveau de sortie directement.


**(7) JACKS LOOP-THRU**

Le connecteur jack Loop Out envoie le signal présent après le volume de contrôle de volume de votre LQ-10P, et vous permet de chaîner plusieurs enceintes LQ-10P en envoyant ce signal à leur entrée jack Loop In. Ces connecteurs vous donnent un signal non-symétrisé. Evitez donc d'utiliser des câbles de chaînage très longs.

### ATTENTION

-  Si il est nécessaire d'enlever le panneau arrière (ou de le remettre en place), les vis de fixations doivent être dévissées (vissées) en enlevant la grille et les haut-parleurs pour accéder aux écrous et les empêcher de tourner par la face avant de votre enceintes. Votre unité doit être déconnectée de la source d'alimentation électrique. Nous vous conseillons de faire entretenir votre unité par un technicien qualifié.


Le radiateur de la plaque arrière peut atteindre des températures élevées. Veillez à ne pas obstruer ou couvrir ces radiateurs.

-  Assurez-vous de garder le microphone à l'écart de la façade de votre unité après que l'interrupteur de mise en route de celui-ci soit enclenché et pendant la balance de celui-ci afin de prévenir tout effet de Larsen.


NE CONNECTEZ PAS LES ENTRES DE VOTRE LQ-10P AUX SORTIES D'UN AMPLI DE PUISSANCE. Ces entrées sont prévues pour recevoir un signal de niveau ligne.

N'ENLEVEZ PAS LA GRILLE DE PROTECTION METAL.


N'UTILISEZ PAS LES ENTRES/SORTIES DE VOTRE UNITE COMME UN MIXEUR en essayant d'envoyer plusieurs signaux simultanément. Les jacks d'entrées/sorties sont tous en parallèles pour offrir une diversité de connecteurs et permettre le chainage d'unités (plusieurs LQ-10P alimentées par un seul signal). Envoyer plusieurs signaux sur ces entrées résultera en un signal (somme) au gain excessif et pouvant endommager votre unité.

-  **ATTENTION:** La LQ-10P est un système efficace et puissant! Il peut facilement endommager l'oreille humaine. Soyez prudent pendant les réglages de volume de votre unité.



 **ATTENTION:** Suspendre des enceintes doit être supervisé par un personnel qualifié.

Informations importantes pour suspendre une Crest LQ-10P :

 **Attention:** Consultez un ingénieur du bâtiment (Structure) avant tout! Une mauvaise installation peut résulter en la chute d'une enceinte, pouvant entraîner de graves accidents et détruire du matériel. Toujours utiliser du matériel de suspension adéquate. Ne jamais suspendre des enceintes en dessous les unes des autres. Ne jamais ajouter de poids supplémentaires à une enceinte.


Toujours utiliser les systèmes de fixations au complet. Ne jamais suspendre une enceinte grâce à un système d'attache incomplet.

Angle maximum en suspension: 30° (Par rapport à la Vertical)


Toujours utiliser un système de sécurité, une chaîne ou corde solide, attachées à la poignée principale de votre unité et à un élément structurel comme indiqué par un personnel qualifié.

Les couples de serrages recommandés sont compris entre 0,75 et 0,90 m.kg. NE SERRER PAS TROP les anneaux de montage! Si un filetage est défectueux, l'enceinte ne peut plus être suspendue!


Ne jamais transporter une enceinte par ses systèmes d'attache. Ceci peut causer des tensions supérieures à celles recommandées.

 **ATTENTION! (note aux ingénieurs de structures)**  
Pour les LQ-10P, l'enfoncement des attaches dans l'enceinte ne doit pas dépasser 8 mm par rapport à la surface de l'enceinte.

### ALIMENTER VOTRE LQ-10P

 La LQ-10P est livrée avec un câble de 2,5 mètres à la norme IEC. Une rallonge devra probablement être utilisée en situation. Assurez-vous qu'elle est de longueur adéquate et qu'elle peut supporter l'ampérage que nécessite l'enceinte. Pour de meilleurs résultats, ne connectez pas d'autres appareils à la rallonge utilisée pour la LQ-10P. Cela minimisera la chute de tension que toute rallonge produit. L'utilisation d'une seule rallonge ou d'une unique multiprise pour la totalité du système de sonorisation diminuera les performances de votre système.

### UTILISATION AVEC SUBWOOFER

 L'adaptateur de stand (Pôle) qui équipe votre enceinte permet de positionner celle-ci en conjonction avec une enceinte SUB LH-4. Le pôle utilisé (Crest #00326540) est de 919 mm de long et de 35 mm de diamètre.

### ENVOYER UN SIGNAL A VOTRE LQ-10P

La LQ-10P propose plusieurs connections pour recevoir un signal d'entrée. L'utilisation de l'entrée microphone est décrite plus loin dans ce manuel. Les entrées symétriques de niveau ligne vous permettent d'utiliser un jack 1/4", deux (Tip-Sleeve) ou trois (Ring-Tip-Sleeve) connecteurs OU un connecteur XLR (mâle ou femelle). Ne connectez pas de câbles à votre unité lorsque celle-ci est sous tension.

Bien qu'un jack 2-connecteurs (T-S) sera utilisable, le circuit d'entrée symétrisant le signal, un jack 3-connecteurs (R-T-S) ou une XLR aura un rendement plus efficace. En cas de problème d'interférences, il peut-être utile de modifier la référence de masse de votre signal en déconnectant la masse de l'entrée symétrique du câble de celle du châssis de votre enceinte (Ground Lift).

L'utilisation de câbles de haute qualité est recommandée avec la LQ-10P. Ils disposeront d'une meilleure protection contre les interférences et d'une plus longue durée de vie. Utilisez toujours une longueur de câble suffisante afin qu'il ne soit pas tendu.

### **REGLAGE DU VOLUME**

La LQ-10P est équipée d'un contrôle de volume. Régulé à son maximum (à fond dans le sens horaire), le gain est au maximum et la sensibilité en entrée est de 0.5 V RMS pour un niveau de sortie maximum. Lors de l'utilisation de la LQ-10P avec une table de mixage, il est conseillé de régler le contrôle de volume à la moitié de sa course. La sensibilité d'entrée de la LQ-10P sera alors plus proche de celle d'un ampli de puissance classique.

Si la section mixeur de la LQ-10P indique un écrêtage en sortie, alors la puissance maximale de l'enceinte n'est pas utilisée proprement. Si l'écrêtage survient avant la LQ-10P, réduisez les niveaux de la table de mixage et augmentez le volume à partir de l'enceinte.

La LQ-10P est équipée du système de protection des haut-parleurs avec une LED indiquant que la protection est active ou inactive. Si la LED s'allume très régulièrement, il est nécessaire de diminuer les niveaux de la table de mixage ou le volume de la LQ-10P.

Avant la mise en marche de la LQ-10P, mettez sous tension tous les appareils en amont de l'enceinte et placez le contrôle de volume au minimum (à fond dans le sens anti-horaire). Mettez la LQ-10P sous tension en dernier. Vérifiez les niveaux de la table de mixage et augmentez progressivement le contrôle de volume de l'enceinte jusqu'au niveau désiré (réglage à mi-course recommandé pour commencer).

### **Utilisation avec plusieurs LQ-10P (au autres enceintes amplifiées LQ)**

Les différentes connexions des LQ-10P leur permettent d'être connectées aisément en parallèle. Connectez le premier câble à la sortie de la table de mixage et à l'entrée de la LQ-10P. Connectez le second câble de la première LQ-10P à la seconde LQ-10P. Cette opération peut être renouvelée plusieurs fois, selon la qualité des câbles utilisés et leur capacité. Avec une source de basse impédance (type mixeur) et des câbles symétriques, 3 ou 4 LQ-10P peuvent être utilisées avec un totale de 10 à 13 mètres de câble sans perte de fréquences.

Les jacks Loop-Thru(10) peuvent également être utilisés pour connecter plusieurs enceintes LQ ensemble, et de contrôler le volume de toutes grâce à un seul contrôle. En utilisant un câble blindé Jack/Jack, connectez le LOOP OUT de l'enceinte recevant le signal source à l'entrée LOOP IN. Le contrôle de volume de la première enceinte contrôle désormais les deux simultanément. Ne connectez pas de câbles dans une enceinte si celle-ci est sous tension!

### APPLICATIONS

Les LQ-10P sont adaptées à de très nombreuses applications, telles que karaoke, conférence, diffusion de musique,... De plus, vous pouvez grâce à l'adaptateur 'Monitor Stand' la transformer en un retour de scène amplifié. Vous pouvez y envoyer aussi bien un signal de sortie de console de mixage, de lecteur CD (ou autre) ou d'un micro.

#### **Aucun signal en sortie:**

Assurez-vous que l'unité est branchée et sous-tension. La LED d'alimentation doit être illuminée. Dans le cas contraire, placez l'interrupteur On-Off sur la position "On". Vérifiez que le cordon IEC est correctement connecté à l'appareil et à une prise secteur fonctionnant. Vérifiez le fusible (voir la section PANNEAU ARRIERE/FUSIBLE pour des instructions supplémentaires).

Assurez-vous que la LQ-10P reçoit un signal en connectant le câble acheminant le signal à l'enceinte à un autre système amplifié.

Si aucun son n'est produit par l'enceinte, assurez-vous que le contrôle de volume est réglé à un niveau raisonnable (1/3 à 1/2 de sa course).

Si la LQ-10P a été exposée directement au soleil (pendant une longue durée) ou à une chaleur excessive, la protection thermique a pu être déclenchée. Dans ce cas, éteignez l'enceinte et laissez la refroidir (n'utilisez pas de liquides!). Si vous n'obtenez toujours rien en sortie, il peut être utile de relire votre manuel!

#### **Souffle et bourdonnement:**

Essayez de connecter la LQ-10P à une prise secteur différente. L'utilisation de différentes sources pour la LQ-10P et la table de mixage peut parfois créer un bourdonnement. Assurez-vous que des câbles blindés ont été utilisés entre les entrées de la LQ-10P et les sorties de la table de mixage.

Si un système de lumières clignotantes est connecté à la même source d'alimentation que la LQ-10P ou que le mixeur, un souffle induit par le système d'illumination peut être présent en sortie de l'enceinte. Dans ce cas, connectez le système à une autre prise secteur ou évitez le clignotement des lampes.

#### **Son distordu:**

Assurez-vous d'abord que la table de mixage (ou la source du signal) n'est pas en distorsion ou ne crée aucun écrêtage. Cela peut se produire si le contrôle de volume de la LQ-10P a été réglé trop bas.

Assurez-vous que les Jacks d'entrée (5) sont correctement connectés sur le panneau arrière de la LQ-10P.

Vérifiez que les entrées utilisées soient les bonnes, et non la sortie filtrée pour des signaux d'entrées de niveau ligne. Vérifiez qu'aucun ampli de puissance n'est connecté aux entrées de la LQ-10P.

Si vous utilisez une rallonge pour alimenter l'enceinte, vérifiez qu'elle est capable de fournir suffisamment de courant et qu'elle n'est pas utilisée pour d'autres appareils? Voir le chapitre ALIMENTATION DE LA LQ-10P pour plus de détails.

La LQ-10P possède un égaliseur fixe interne destiné à étendre et assouplir la réponse du haut-parleur. Un filtre anti-infrabasses est inclus et la réponse du système est aussi plate que possible. Si le signal alimentant l'enceinte a été sur-égalisé dans les basses, la LQ-10P peut entrer en distorsion lors des hauts niveaux de pression acoustique. N'égalisez pas excessivement les basses à partir de vos appareils externes (mixeurs, égaliseurs rack).

Enfin, bien que la LQ-10P soit très puissante et produise de très hauts niveaux de pression acoustique, vous avez peut-être atteint ses limites. Essayez de diminuer les niveaux à partir de la table de mixage et voyez si le son devient plus propre.

Si le problème persiste, consultez votre revendeur Peavey.

### MAINTENANCE

Votre LQ-10P vous apportera satisfaction pendant de nombreuses années si elle est utilisée correctement. Lisez attentivement toutes les instructions de ce manuel afin d'éviter toute erreur de manipulation et de connexion.

#### Exposition au soleil/Chaleur

Évitez l'exposition prolongée au soleil pouvant provoquer la mise en route de la protection thermique. L'exposition à des niveaux de chaleur excessifs peut aussi provoquer le déclenchement de cette protection.

N'entreposez pas l'appareil dans des endroits extrêmement froids ou chauds ou présentant des niveaux d'humidité élevés. Attendez que l'enceinte atteigne la température de la pièce avant utilisation.

#### Nettoyage



Ne nettoyez jamais la LQ-10P lorsqu'elle est branchée ou sous tension! Une fois la prise secteur de l'appareil déconnectée, utilisez un chiffon légèrement humide pour retirer la saleté et la poussière. N'utilisez pas de solvants sur la LQ-10P car ils pourraient attaquer le polymère constituant l'enceinte. Aucun fluide ne doit couler à l'intérieur de la LQ-10P.

#### Marques et rayures

Si la LQ-10P présente des marques ou rayures, il est possible de les faire disparaître en utilisant un marqueur permanent noir. Si la surface rayée est importante, frottez-la avec une brosse abrasive pour plastiques. Utilisez le marqueur permanent sur la surface en retirant le surplus d'encre avec un chiffon propre. Pour une meilleure protection des cosmétiques, utilisez des agents protecteurs tel WD-40® ou Armor All® sur les surfaces plastiques de l'enceinte uniquement. Note: L'enceinte sera glissante après un tel traitement. Essuyez-la avec un chiffon doux et propre.

#### Accastillage de fixation

Après quelques mois d'utilisation, vérifiez les fixations de la LQ-10P. Vérifiez les vis de fixation du panneau arrière à l'enceinte et celles du baffle (panneau avant) au reste de l'enceinte.

L'appareil subit de fortes vibrations et cela peut causer un léger dévissage des éléments de fixation.

## DESCRIPTION

L'enceinte Crest LQ-10P est une enceinte amplifiée destinée à fournir des performances maximales à partir d'un système compact. Capable de niveaux de pression acoustique de 120 dB peak, elle peut produire un niveau de basses fréquences conséquent. L'enceinte trapézoïdale est réalisée en polypropylène résistant par injection, et possède une grille de protection métallique enrobée de plastique.

Les entrées symétriques du préampli sont de type XLR mâle et XLR femelle combo connectées en parallèle. Les sorties sont de type Jack TRS et XLR femelle. L'amplificateur de puissance fourni 150W RMS sous 8 Ohm (charge du haut-parleur). Il est équipé de notre système de protection breveté DDT™, évitant l'écrêtage de l'étage de puissance.

De multiples poignées moulées facilitent le transport, les divers points de montage (faces supérieures et inférieures) permettent d'adapter aisément le support Omnimount™ 75, et un adaptateur pour perche est moulé pour faire face à toutes les applications.

## INGENIEURIE

L'enceinte amplifiée a une réponse en fréquence de 80 Hz à 20 kHz. La sensibilité atteint 120 dB(SPL) avec un signal musical, mesurée à une distance de 1 m et à pleine capacité. Le système utilise un haut-parleur 10" longue projection et un moteur de compression 14XT. Le cône de diffusion est de 90 degrés sur le plan horizontal et 45 degrés sur le plan vertical.

Cette enceinte bi-amplifiée possède un connecteur COMBO (compatible Jack 1/4" et XLR femelles) et un connecteur XLR mâle montés en parallèle et acceptant un signal de niveau ligne. Cette enceinte possède également des entrées/sorties de chaînage, ainsi qu'un contrôle de volume.

La section puissance a une réponse sans distorsion de 10 Hz à 30 kHz, un facteur d'amortissement de plus de 100 @ 1 kHz sous 4 ohms, une tolérance au bruit à plus de 90 dB en deçà du signal, avec les taux de THD et IMD à moins de 0.1%. L'ampli du haut-parleur est capable de délivrer 150 W sous 8 ohm et celui du moteur de compression 50 W sous 6 ohm. Ils sont tous deux munis du DDT.

Le signal est divisé en fonction de la fréquence pour les deux amplis de puissance. La valeur de filtre est de 2 kHz. Les basses fréquences sont routées vers le haut-parleur, les hautes fréquences sont pré-équalisées pour la diffusion par moteur de compression monté sur trompe à directivité constante.

Cette enceinte est en polypropylène injecté, d'épaisseur nominale 1/4" et de coefficient de flammabilité UL. Des poignées moulées sont présentes sur les côtés et sur la partie supérieure de l'enceinte. Une grille de protection est fournie. L'enceinte possède également quatre pieds en caoutchouc pour la position 'debout' et des inserts d'attaches sur les parties supérieure et inférieure (4 points par côté).

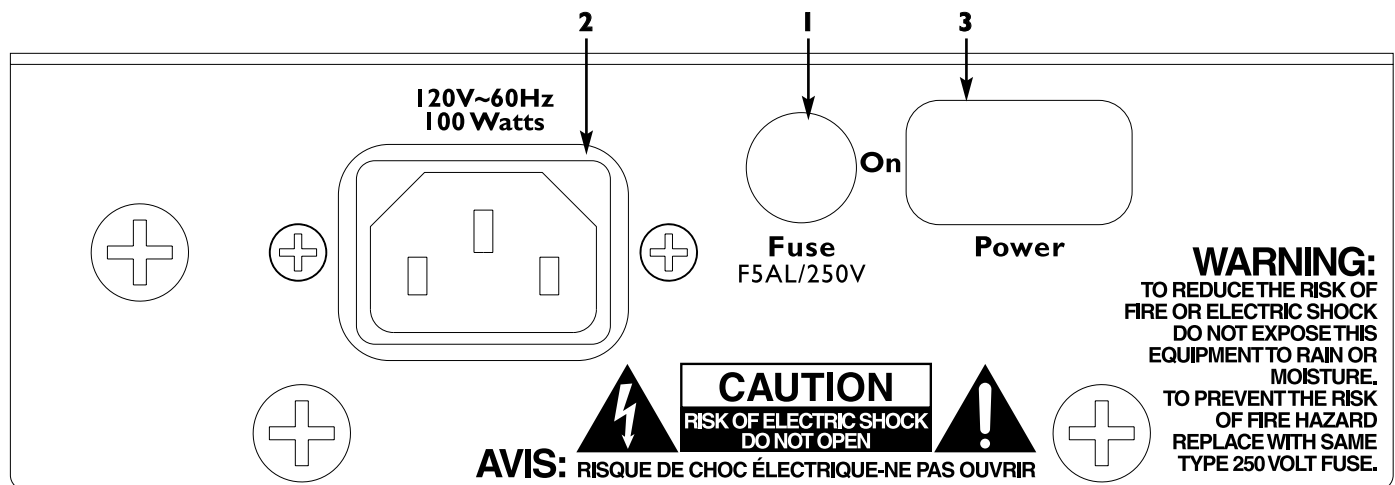
Les dimensions extérieures sont 18.88" (479,5mm) de haut, 14.00" (355,6mm) de large et 13.13" (333,5mm) de profondeur. Son poids est de 35 lbs (16kg), et sa consommation électrique de 100 watts en 240 V AC, 50 Hz (European).x

Der Crest LQ™ 10P ist mit einer Endstufe mit zwei Verstärkern ausgestattet, die eine dynamische Spitzenleistung von 200 Watt für den Woofer und eine dynamische Spitzenleistung von 70 Watt für den Hochtoner mit Kompressionstreiber liefert – und zwar jeweils mit Verstärkerschutzschaltung. Der LQ 10P, der mit einem hochwertigen 10"-Woofer mit langer Reichweite und dem Crest HF™-I-Kompressionstreiber ausgestattet ist, bietet zudem symmetrierte Line-Pegeleingänge mit Lautstärkeregelung und Loop-Thru-Klinken.

**Merkmale**

- Power-System mit zwei Verstärkern mit einer Gesamtleistung von 200 W!
- Beide Verstärker sind mit Clipping-Schutzschaltung ausgestattet
- Hochwertiger, robuster 10"-Woofer mit langer Reichweite
- 2" HF-I-Kompressionstreiber aus Titan
- Spitzenschalldruckpegel von über 120 dB bei Musik!
- Symmetrierte Line-Pegeleingänge mit 1/4"-Klinkensteckern sowie männlichen und weiblichen XLR-Steckern
- Quadratic Throat Geometry-Horn gewährleistet ungewöhnlich gleichmäßiges Ansprechen und präzise Abdeckwinkelregelung
- Link-Out/Link-In-Klinken ermöglichen den Anschluss an ein zweites Gerät
- Handgriff oben

Funktionen an der Rückseite



**(1) SICHERUNG**

Das Gerät ist durch eine flinke ABC-Sicherung (5 Ampere) vor Überlastungen und Störungen (Wechselstromanschluss) gesichert. Sollte die Sicherung tatsächlich einmal durchbrennen (was selten geschieht), überprüfen Sie zunächst, ob das Gerät von der Stromversorgung getrennt und ausgeschaltet ist (Position OFF). Ersetzen Sie dann die Sicherung NUR durch eine flinke Sicherung (5 Ampere und 250 V Wechselstrom). Ersatzsicherung und Sicherungsfassung müssen vollständig eingesetzt und geschlossen sein. Schließen Sie das Gerät wieder an die Wechselstromversorgung an, und schalten Sie es mit vollständig (im entgegengesetzten Uhrzeigersinn) heruntergedrehter Lautstärke wieder ein. Sollte auch die neue Sicherung durchbrennen, versuchen Sie NICHT, sie weiterhin auszutauschen, sondern lassen Sie das Gerät durch einen qualifizierten Kundendiensttechniker überprüfen.

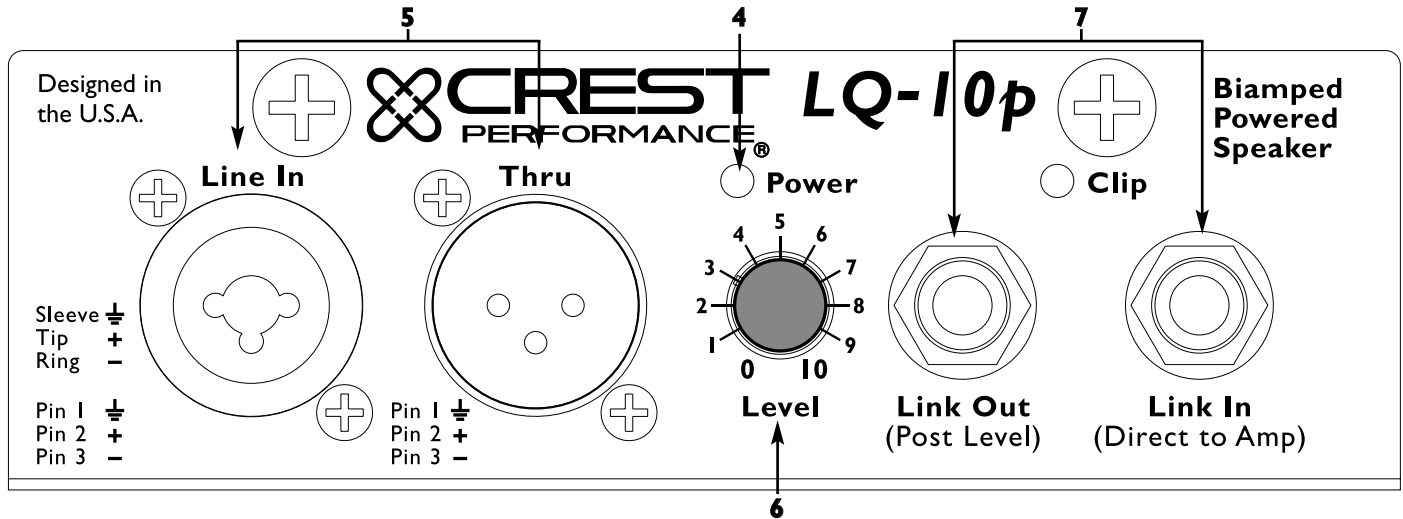
**(2) ANSCHLUSS DES IEC-NETZKABELS**

Das abziehbare Wechselstrom-Netz-kabel wird in diese Buchse gesteckt, um den Netzschalter mit Betriebsspannung zu versorgen.

**(3) EIN/AUS-SCHALTER**

Steht dieser Schalter auf der Position ON, wird die Systemelektronik mit Wechselstrom versorgt.

Front Panel Features



**(4) POWER-LED**

Diese LED leuchtet auf, wenn die Elektronik des Vorverstärkers mit Strom versorgt wird. Zudem sollte sie aufleuchten, wenn sich der Ein/Aus-Schalter auf der Position ON befindet und das Wechselstromkabel angeschlossen und in eine Steckdose gesteckt ist.

**(5) LINE IN/THRU**



Die Eingangs- und Ausgangsklinken sind parallel geschaltet, sodass das Audio-Eingangssignal durch Hintereinanderschaltung an andere Geräte angeschlossen werden kann. Der „Output“-Pegel ist derselbe wie der „Input“-Pegel, und die jeweiligen Klinken sind nicht voneinander isoliert. Beim Eingang handelt es sich um einen symmetrierten mittelohmigen Eingang. Bei Klinke (5a) handelt es sich um einen weiblichen Combo-XLR-Stecker und einen 1/4"-Klinkenstecker, bei Klinke (5b) um einen XLR-Stecker.

**(6) LEVEL**


Mit diesem Regler wird der Gain-Pegel des LQ 10P-Systems eingestellt. Beim Einsatz mit den Line In/Thru-Klinken (5) wird er zum direkten Einpegeln des Systemausgangs verwendet.

**(7) LINK-KLINKEN**


Link Out nimmt das Signal hinter den symmetrierten Eingängen und dem Pegelregler ab und ermöglicht über die Link-In-Klinke den Anschluss an einen anderen LQ 10P. Danach wird der Pegel des angeschlossenen Power-Lautsprechers über den Pegelregler des ersten Power-Lautsprechers geregelt. Da es sich dabei um unsymmetrierte hochohmige Klinken handelt, darf das Kabel nicht zu lang sein.



### **ACHTUNG!**


-  Bevor jegliche Art von Arbeiten am Gerät durchgeführt werden, muss es von der Wechselstromquelle getrennt werden. Lassen Sie sämtliche Wartungsarbeiten von qualifizierten Kundendiensttechnikern durchführen.

Der Kühlkörper an der Rückwand kann heiß werden, daher darf er nicht berührt werden. Der Kühlkörper darf nicht blockiert oder abgedeckt werden, da ansonsten die Belüftung beeinträchtigt wird.

-  Schließen Sie die Eingänge des LQ 10P NICHT an den Ausgang eines Verstärkers an. Die Eingänge müssen über ein Signal mit Line-Pegelstärke getrieben werden.

Entfernen Sie NICHT das metallene Schutzgitter.

Verwenden Sie die INPUT/OUTPUT-Klinken NICHT als Mischpult, indem Sie versuchen, mehr als eine Signalquelle gleichzeitig an sie anzuschließen. Alle INPUT/OUTPUT-Klinken (5) sind miteinander festverdrahtet, sodass sämtliche Steckertypen als Eingang verwendet werden können und das Eingangssignal an ein anderes Audiogerät (wie einen anderen LQ 10P) gesendet oder über Mehrfachschaltung angeschlossen werden kann. Werden zwei unterschiedliche Signale direkt in den LQ 10P gesendet, können dadurch die Ausgänge der Quellgeräte beschädigt werden. Verwenden Sie ein Mischpult, um zwei oder mehrere Signale zu einem einzigen Signal zu kombinieren, das an den Eingang des LQ 10P gesendet wird.

-  **ACHTUNG:** Der LQ 10P ist äußerst kraftvoll und leistungsfähig! Der Einsatz dieses Systems kann zu dauerhaften Hörschäden führen! Stellen Sie die maximale Gesamtlautstärke daher mit äußerster Vorsicht ein. Der Eindruck hinsichtlich des Schallpegels des LQ 10P kann auf Grund seiner klaren sauberen Klangwiedergabe täuschen. Da kaum Verzerrung vorhanden ist und die Lautstärke nicht als unangenehm empfunden wird, scheint der Schallpegel wesentlich geringer zu sein als er tatsächlich ist. Dieses System ist in der Lage, einen Schalldruckpegel von über 120 dB in einer Entfernung von einem Meter vom Lautsprecher zu liefern!

**Achtung:** Das Aufhängen oder Fliegen des Crest LQ 10P muss von einem zugelassenen Bauingenieur durchgeführt werden.



Wichtige Sicherheitsinformationen für die Montage von Crest LQ 10P-Lautsprechersystemen:



**Achtung:** Bevor Sie versuchen, diese Lautsprechermodelle aufzuhängen, muss ein zugelassener Bauingenieur zu Rate gezogen werden. Werden die Lautsprecher nicht korrekt aufgehängt, können sie herunterfallen und schwere Personen- und Sachschäden verursachen. Es dürfen keine Boxen untereinander aufgehängt werden, und es dürfen keine zusätzlichen Lasten an diese Geräte gehängt werden. Es dürfen nur die korrekten geeigneten Beschlagteile verwendet werden. Sämtliche zugehörigen Montagearbeiten fallen unter die Verantwortung Dritter.

Es müssen immer alle vier Einsatzteile eines vorhandenen Sets zusammen verwendet werden. Zum Fliegen einer Box darf NIE nur ein einziges Einsatzteil verwendet werden. Bei den Einsatzteil-Sets handelt es sich um ein oberes und ein unteres Set von jeweils vier Teilen. Einige Modelle verfügen zudem über ein Set von vier Einsatzteilen auf der Rückseite der Box.

Der maximale Winkel zur vertikalen Aufhängung der Box beträgt 30°.

Führen Sie immer eine geeignete Sicherheitskette oder ein geeignetes Drahtseil durch den oberen Griff und befestigen Sie sie bzw. es an einem geeigneten Bauteil, wie von einem zugelassenen Bauingenieur angewiesen.

Der empfohlene Drehmoment für die Montagebolzen beträgt 4-4,75 Nm. ZIEHEN SIE SIE NICHT ZU FEST AN! Dreht ein Einsatzteil durch, ist es beschädigt, und die Box kann nicht aufgehängt werden!

Transportieren Sie die Box nie auf einen Gruppenträger oder einen anderen Träger montiert. Dadurch können die Montageeinsätze übermäßig strapaziert werden.



**ACHTUNG! (Anmerkung für den Bauingenieur)**

Beim Crest LQ 10P darf die Gewindeeinsattiefe des Endes des Montagebolzens nicht über 8 mm hinter der Oberfläche der Box betragen.

Wird diese Gewindeeinsattiefe überschritten, können die Einsatzteile beschädigt werden oder aus der Box gelöst werden, wodurch eine sichere Montage der Box nicht mehr gewährleistet ist!

Der korrekte Durchmesser von Montagebolzen und Gewinde pro Zoll beträgt 1/4" x 20. Es wird ein Bolzen Größe 5 empfohlen.

### **VERSORGUNG DES CREST LQ 10P MIT WECHSELSTROM**



Der LQ 10P wird mit einem IEC-Anschlussnetz-kabel (Wechselstrom) von ca. 2,40 m Länge geliefert. Wird ein Verlängerungskabel verwendet, muss sichergestellt werden, dass es nicht länger als notwendig ist und über die ausreichende Stromkapazität verfügt, um die Sicherheit zu gewährleisten. Ein Hochstromkabel in der geeigneten Länge steigert die Leistungsabgabe der internen Verstärker des LQ 10P. Um optimale Ergebnisse zu erzielen, sollte über das Verlängerungskabel des LQ 10P kein anderes Gerät mit Strom versorgt werden. Dadurch wird der Spannungsverlust verringert, den alle Verlängerungskabel verursachen. Wird nur ein einziges Verlängerungskabel für das gesamte Beschallungssystem an eine Steckdose angeschlossen, kann das die Leistung des Systems keinesfalls steigern. Der Erdungsstecker des dritten Leiters im Wechselstromstecker darf NIE entfernt oder abgebrochen werden, da dies die Sicherheit stark beeinträchtigt.

### **Besondere Hinweise für die Dauerinstallation**

Verwenden Sie bei der Installation des Crest LQ 10P Wechselstromleitungen und ziehen Sie einen zugelassenen Elektriker zu Rate um zu gewährleisten, dass die gesamte Wechselstromverdrahtung den örtlichen Vorschriften entspricht. Befestigen Sie eine Kabelklemme an der Box, um den Zug am in die Verstärkerbuchse (2) eingesteckten IEC-Netz-kabel zu entlasten, sodass es nicht lose herabhängt und vibriert.

### **EINSATZ DES LQ 10P MIT EINEM SUBWOOFER**



Der eingebaute Ständeradapter ermöglicht den Einsatz mit dem Crest LH 4 Double 18"-Subwoofer-System und dem als Zubehör erhältlichen passenden Ständer mit der Crest-Teilenummer P00326540.

Der Ständer hat eine Länge von ca. 90 cm und einen Nenndurchmesser von 3 cm.

### **SENDEN VON SIGNALEN AN DEN LQ 10P**

Es gibt eine Vielzahl an Möglichkeiten, Signale ans LQ 10P-System zu senden. Der Einsatz des Mikroeingangs wird weiter unten in einem besonderen Abschnitt behandelt. Die symmetrierten Line-Pegeeingänge erlauben den Einsatz eines 1/4"-Kopfhörersteckers, entweder eines genormten unsymmetrierten Klinkensteckers oder eines symmetrierten Klinkensteckers ODER eines männlichen oder weiblichen XLR-Steckers. Schließen Sie die Kabel nie an die Klinken an, wenn die Geräte eingeschaltet sind und die Lautstärke aufgedreht ist!

Ein üblicher unsymmetrierter 1/4"-Kopfhörerstecker ist zwar gut geeignet, und der symmetrierte Eingangsschaltkreis bietet auch gewissen Schutz gegen Störgeräusche, ein symmetriertes Kabel mit symmetriertem 1/4"-Kopfhörerklinkenstecker oder XLR-Stecker bietet jedoch einen wesentlich besseren Schutz gegen Störgeräusche sowie eine herausragende Leistung. Schwerwiegende Probleme mit Störgeräuschen lassen sich eventuell lösen, indem man die Erdung an einem symmetrierten Kabel nur am zum LQ 10P zeigenden Ende anhebt. Überprüfen Sie sorgfältig sämtliche Eingangsveränderungen und drehen Sie vor dem Einstecken und Abziehen von Kabeln immer den Lautstärkeregel herunter.

Für den Einsatz mit dem LQ 10P werden qualitativ hochwertige Kabel empfohlen, da bei diesen in der Regel Abschirmung und Material besser sind und sie eine längere Haltbarkeit und Zuverlässigkeit bieten. Empfohlen wird auch, am Eingang des LQ 10P einen gewissen Spielraum zu lassen und die Kabel abzukleben oder sie unter einem Kabelschutz zu verlegen, sodass niemand darüber stolpert oder das Gerät am Kabel herabzieht, wenn es auf einem Ständer montiert ist.

### **EINSTELLEN DER PEGELREGLER**

Der LQ 10P ist mit einem Lautstärkereglern ausgestattet, der den Einsatz in den verschiedensten Situationen erleichtert. Ist der Lautstärkereglern vollständig im Uhrzeigersinn aufgedreht, ist die Verstärkung maximal, und die Eingangsempfindlichkeit beträgt 0,5 V RMS für die volle Nennleistung. Wird der LQ 10P über ein Mischpult betrieben, kann es von Vorteil sein, die Eingangsempfindlichkeit zu verringern, indem der Lautstärkereglern auf die Hälfte heruntergedreht wird. Der LQ 10P wird nun noch stärker wie ein typischer Verstärkereingang fungieren.

Zeigt die Anzeige des Mischpults ein Clipping der Ausgangssignale an, wird das Gesamtleistungsvermögen des LQ 10P nicht sauber genutzt. Ein Clipping des Signals, bevor es zum LQ 10P gelangt, ist nicht optimal. Verringern Sie in diesem Fall den Ausgangspegel des Mischpults und drehen Sie den Lautstärkereglern des LQ 10P herauf.

Die Verstärker des LQ 10P sind mit einer Schutzschaltung gegen Clipping sowie einer LED-Anzeige ausgestattet, die zeigt, ob diese Funktion aktiviert wurde. Hört sich der Sound deutlich verdichtet an, muss diese Anzeige überprüft werden. Blinkt sie häufig auf, muss der Drive-Pegel vom Mischpult (oder der Lautstärkereglern am LQ 10P) herabgedreht werden.

Wird das Beschallungssystem zu ersten Mal eingeschaltet, muss zuerst die gesamte vorgeschaltete Elektronik eingeschaltet werden und dann erst der LQ 10P, wobei sein Lautstärkereglern vollständig im entgegengesetzten Uhrzeigersinn (herunter) gedreht sein muss. Beginnen Sie mit der Überprüfung der Pegel mit vollständig herabgedrehten Ausgangspegelreglern des Mischpults, und drehen Sie sie langsam herauf, wobei der Lautstärkereglern des LQ 10P auf der gewünschten Einstellung steht (für den Anfang wird empfohlen, ihn auf die Hälfte heraufzudrehen).

### **EINSATZ MEHRERER LQ 10Ps MIT ANDEREN POWER-PRODUKTEN DER LQ-SERIE**

Da der LQ 10P über mehrere parallele Eingänge verfügt, können über diese Eingänge mehrere Geräte hintereinander geschaltet werden. Schließen Sie das erste Kabel vom Mischpult an den ersten LQ 10P an, und schließen Sie dann ein Kabel von einem seiner Eingänge an den Eingang des zweiten LQ 10P an. Dies kann abhängig von der Länge der Kabel und ihrer Betriebskapazität über mehrere Geräte fortgesetzt werden. Bei einer geringen Quellimpedanz, wie z.B. bei einem typischen Mischpultausgang, und üblichen symmetrierten Kabeln können zwei oder drei LQ 10P von einem Ausgang mit Kabeln von 10-13 Metern Länge hintereinandergeschaltet werden, ohne dass ein hörbarer Verlust der Höhen eintritt.

Die LINK-Klinken (10) können ebenfalls zum Anschließen mehrerer LQ 10P oder einem anderen Power-Gerät der LQ-Serie verwendet werden, wobei die Lautstärke bequem über den Lautstärkeregler eines einzigen Gerätes geregelt werden kann. Schließen Sie ein gut geschirmtes Anschlusskabel mit zwei 1/4"-Kopfhörersteckern von der Link-Out-Klinke des Gerätes an, dessen Eingang an die Signalquelle angeschlossen ist, und schließen Sie dann dieses Kabel an die Link-In-Klinke des anderen Gerätes an. Über den Lautstärkeregler des ersten Gerätes kann nun die Lautstärke für beide Geräte gleichermaßen geregelt werden. Schließen Sie die Kabel nie an die Klinken an, wenn die Geräte eingeschaltet sind und die Lautstärke aufgedreht ist! Da es sich bei den Link-Klinken um unsymmetrierte hochohmige Klinken handelt, darf das Kabel nicht zu lang sein. Beträgt die Kabellänge über 6 m, können Brummen oder Rauschen entstehen oder die Höhen gedämpft werden.

### **EINSATZBEREICHE**

Der LQ 10P eignet sich für eine Vielzahl von Einsatzbereichen wie etwa Beschallung, Übertragungsanlagen, Ergänzungssysteme oder Musik-Playback. Mit einem als Zubehör erhältlichen Monitorständer-Bausatz lässt sich der LQ 10P in einen hervorragenden Bühnenmonitor umwandeln. Auch für Vorträge oder Karaoke-Veranstaltungen ist der LQ 10P geeignet, wobei der Mikroeingang sowie die regulären Line-Pegeleingänge zusammen verwendet werden.

Eine typische Signalquelle für die Line-Pegeleingänge (5) des LQ 10P wären etwa ein Beschallungsanlagen-Mischpult oder der Ausgang eines CD-Players, Minidisc-Players oder Tonbandgerätes.

### **Keine Ausgangsleistung**

Überprüfen Sie zunächst, ob das Gerät mit Wechselstrom versorgt wird und eingeschaltet ist. Ist dies der Fall, sollte die Power-LED (4) aufleuchten. Ist dies nicht der Fall, überprüfen Sie, ob der On/Off-Schalter (3) auf ON steht, überprüfen Sie den Anschluss des IEC-Netzkabels (2) und stellen Sie sicher, dass es vollständig eingesteckt ist. Stellen Sie sicher, dass das Wechselstrom-Netzkabel in eine funktionierende Wechselstrom-Steckdose eingesteckt ist, und überprüfen Sie zuletzt die Sicherung (1) {siehe Abschnitt Sicherung auf der RÜCKSEITE für Sicherheitshinweise}.

Überprüfen Sie, ob an den Eingängen des LQ 10P ein Signal eingeht. Stecken Sie dazu das Kabel, das in die Eingänge des LQ 10P führt, in ein anderes Gerät ein, an dem Sie dies feststellen können (etwa einen Verstärker und einen Lautsprecher).

Lässt sich noch immer keine Ausgangsleistung feststellen, überprüfen Sie, ob der Lautstärkeregler ausreichend heraufgedreht ist (um etwa ein Drittel bis die Hälfte).

War der LQ 10P direktem Sonnenlicht oder zu starker Hitze ausgesetzt? Falls ja, könnte der Überhitzungsschutz aktiviert worden sein. Schalten Sie das Gerät aus, und kühlen Sie es, so gut es die jeweilige Situation erlaubt. (Verwenden Sie zu diesem Zweck KEINE Flüssigkeiten!)

Lässt sich noch immer keine Ausgangsleistung feststellen, lesen Sie sich bitte die Bedienungsanleitung vollständig durch.

### **Brummen oder Summen**

Dies kann mit der Wechselstrom-Steckdose zusammenhängen. Stecken Sie den LQ 10P versuchsweise in eine andere Wechselstrom-Steckdose. Wird für den Mischpult ein anderer Schaltkreis bzw. Überlastschalter verwendet als für den LQ 10P, kann dies Probleme durch Brummen verursachen.

Stellen Sie sicher, dass für die Signalleitung zum LQ 10P geschirmte Kabel verwendet werden. Lautsprecherkabel mit 1/4"- oder XLR-Steckern sind sehr anfällig für Brummen.

Stellen Sie sicher, dass keine Licht-Dimmer an denselben Schaltkreis wie der LQ 10P oder das Mischpult (oder andere Quellgeräte) angeschlossen sind. Werden Licht-Dimmer verwendet, müssen sie eventuell vollständig auf- oder abgedreht werden, um das Brummen zu beseitigen oder auf ein akzeptables Maß zu reduzieren. Hierbei handelt es sich um ein durch die Wechselstromverdrahtung bzw. den Licht-Dimmer verursachtes Problem und nicht um eine Störung des LQ 10P.

Der Erdungsstecker des dritten Leiters im Wechselstromstecker darf NIE entfernt oder abgebrochen werden, da dies die Sicherheit stark beeinträchtigt.

### **Verzerrter oder verschwommener Sound**

Überprüfen Sie zunächst, dass beim Mischpult (oder der Signalquelle) kein Clipping oder Übersteuern vorliegt. Dies kann gelegentlich auftreten, wenn der Lautstärkeregler (6) am LQ 10P zu niedrig eingestellt wurde (zu weit im entgegengesetzten Uhrzeigersinn gedreht) und viel Signal erforderlich ist, um das Gerät mit vollständiger Leistung zu betreiben.

Achten Sie darauf, dass die Eingangsstecker fest in die Eingangsklinken (5) auf der Rückseite des LQ 10P eingesteckt sind.

Überprüfen Sie, ob die korrekten Eingänge (5) für die Line-Pegelsignale verwendet werden. Stellen Sie sicher, dass kein Verstärker in die Eingangsklinken des LQ 10P eingesteckt wurde.

Wird zur Wechselstromversorgung des Gerätes ein Verlängerungskabel verwendet, muss überprüft werden, ob seine Stromkapazität ausreichend ist und es nicht auch zur Stromversorgung weiterer Geräte verwendet wird. Näheres dazu erfahren Sie aus dem Abschnitt „VERSORGUNG DES LQ 10P MIT WECHSELSTROM“.

Der LQ 10P ist mit einem eingebauten EQ ausgestattet, um das natürliche Ansprechen der Lautsprecher im System zu erweitern und auszugleichen. Anhebung der Bässe und EQ der Höhen sind vorhanden, und das System weist ein flaches Ansprechen auf und sollte – wenn überhaupt – nur wenig zusätzlichen EQ erfordern. Wurden die Bässe oder Höhen für den LQ 10P extern zusätzlich zu stark angehoben, kann dies bei hohen Schalldruckpegeln zu einer vorzeitigen Überlastung führen. Versuchen Sie, jegliche EQ-Veränderung von außen (Mischpult, Rack-Equalizer) zu verhindern, und überprüfen Sie, ob dies die Verzerrungsneigung verringert.

Schließlich müssen Sie sich bewusst sein, dass der LQ 10P, selbst wenn er ein äußerst kraftvolles und hochleistungsfähiges Gerät ist, auch seine Grenzen hat und möglicherweise weitere Power-Geräte oder ein Subwoofer

erforderlich sind, um eine ausreichende Schalleistung oder Schallübertragung zu erzielen. Versuchen Sie in diesem Fall, die Mischpultpegel ein wenig herunterzuregulieren, um einen klareren Sound zu erzielen.

Sollten Sie sämtliche aufgeführten Punkte sowie weitere Möglichkeiten im Rahmen der Sicherheit überprüft haben und dennoch weitere Probleme mit dem System auftreten, notieren Sie sich bitte sorgfältig sämtliche Bedingungen und wenden Sie sich an Ihren Crest-Händler um Unterstützung.

### **PFLEGE UND WARTUNG**

Ihr LQ 10P ist ein robustes und langlebiges Produkt, das bei sorgfältiger Pflege über lange Jahre zuverlässig seinen Dienst tut. Hören Sie auf Ihren gesunden Menschenverstand und lesen Sie sich die Sicherheitshinweise durch, um gefährliche Betriebsituationen zu vermeiden.

#### **Sonnenlicht bzw. Hitze**

Setzen Sie das Gerät nicht für längere Zeit direktem Sonnenlicht aus, da dies Überhitzung und Abschaltung durch den Überhitzungsschutz zur Folge haben kann. Ein Betrieb bei übermäßiger Hitze kann ebenfalls zur Abschaltung durch den Überhitzungsschutz führen.

Lagern Sie das Gerät nicht bei extremer Hitze oder Kälte oder extrem hoher Feuchtigkeit. Warten Sie vor dem Einsatz des Geräts immer, bis es Raumtemperatur erreicht hat.

#### **Reinigung**



Reinigen Sie den LQ 10P nie, solange er ans Netz angeschlossen oder eingeschaltet ist! Wenn das Gerät vollständig von Wechselstromanschlüssen abgetrennt ist, können Sie Schmutz, Staub und dergleichen mit einem trockenen Tuch entfernen. Verwenden Sie zur Reinigung des LQ 10P nie starke Reinigungsmittel, da diese die Box angreifen könnten. Achten Sie darauf, dass KEINE Flüssigkeiten in den LQ 10P gelangen!

#### **berlackieren**

Sollten an der Box des LQ 10P Kratzer oder Abriebstellen zu sehen sein, können diese mit einem schwarzen Permanent-Marker überlackiert werden. Ist die zu überlackierende Fläche größer als ein kleiner Kratzer, reiben Sie sie leicht mit einem Kunststoffschwamm (ohne Reinigungsmittel) ab. Überlackieren Sie die verkratzte oder abgeriebene Stelle nach und nach leicht mit dem schwarzen Permanent-Marker, und wischen Sie die überschüssige Farbe mit einem fusselfreien Tuch ab. Zur Verstärkung der gesamten Beschichtung und als Schutz können Sie mit Handschuhen entweder WD-40®- oder Armour-All®-Schutzmittel auf die Box auftragen (nur auf die Kunststofffläche). Da die Box nach einer solchen Behandlung feucht sein kann, reiben Sie sie mit einem fusselfreien Tuch kräftig ab.

Ist das Gitter verfärbt oder zeigt sich ein weißer Belag, können Sie es mit einem Reinigungsmittel wie 409® oder Fantastic® reinigen. Verwenden Sie dazu ein sauberes, leicht mit dem Reinigungsmittel angefeuchtetes Tuch und reiben Sie damit die Vorderseite des Gitters ab. Wischen Sie überschüssiges Reinigungsmittel ab.

### **Wartung der Sicherheit der Beschlagteile**

Nach den ersten Einsatzmonaten und auch regelmäßig danach muss überprüft werden, ob die Beschlagteile des LQ 10P fest angezogen sind, so etwa die Schrauben der Rückseite und die Schrauben, mit denen die Schallwand und die hintere Box aneinander befestigt sind. Da das Gerät in hohem Maß Vibrationen ausgesetzt ist, können sich diese Teile mit der Zeit lösen. Achten Sie darauf, dass die im Kunststoff steckenden Schrauben nicht überdreht oder herausgezogen werden.

### **BESCHREIBUNG**

Der Crest LQ 10P ist ein Zweivege-Power-Lautsprechersystem mit zwei Verstärkern, das entwickelt wurde, um ein Höchstmaß an Leistung und einen Spitzenschalldruckpegel von über 120 dB zu erbringen. Die Box besteht aus stoßfestem Spritzguss-Polypropylen in Trapezform mit einem beschichteten perforierten Metallgitter, sodass sich ein elegantes und dennoch robustes Power-Lautsprechersystem ergibt.

Dieses Power-Zweivegesystem besteht aus einem Verstärker mit einer dynamischen Spitzenleistung von 200 W, der einen robusten 10"-Woofer mit langer Reichweite mit einem spezialbehandelten Kegel und Schutzabdeckung antreibt. Der HF-I-Kompressionstreiber wird über einen Verstärker mit einer dynamischen Spitzenleistung von 70 W angetrieben und ist mit einer 1,4"-Titanmembran ausgestattet. Zudem ist er an ein patentiertes Quadratic-Throat-Geometry-Horn mit konstanter Richtwirkung (US-Patent Nr. 6059069) mit einem Abdeckwinkel von 90° x 45° angeschlossen, das in die Box eingegossen ist.

Bei den symmetrierten Vorverstärker- und EQ-Eingängen handelt es sich um einen weiblichen Combo-XLR-Stecker, eine 1/4"-Kopfhörerklinke sowie einen XLR-Stecker, die alle parallel geschaltet sind. Bei den zwei integrierten Verstärkern handelt es sich um verzerrungsarme Geräte, die 150 W RMS an 8 Ohm Nennlast des Woofers und 50 W RMS an 6 Ohm Nennlast des Hochtöners bringen. Sie wurden auf Grund ihrer Zuverlässigkeit und hervorragenden Eigenschaften und Leistungsfähigkeit ausgewählt. Beide Verstärker sind mit einer Clipping-Schutzschaltung ausgestattet, die nahezu jedes hörbare Verstärker-Clipping ausschaltet.

Eingegossene Griffe erleichtern den Transport, während mehrere Montagepunkte (oben und unten) für die Omnimount™ 75-Serie und einen eingegossenen Ständeradapter die Einsatzfähigkeit maximal steigern.

### **Bauliche und technische Spezifikationen**

Der Crest LQ 10P weist einen Frequenzgang von 80 Hz bis 20 kHz auf. Der Spitzenschalldruckpegel mit unhörbarer Verzerrung erreicht bei Musik als Quelle 120 dB, gemessen in einer Entfernung von einem Meter und mit vollständiger Leistung. Das System arbeitet mit einem robusten 10"-Woofer mit langer Reichweite und einem HF-I-Kompressionstreiber-Hochtöner. Das Nennstrahlungsdiagramm beträgt 90° in horizontaler Ebene und 45° in vertikaler Ebene.



Das Power-Lautsprechersystem mit zwei Verstärkern verfügt über eine Gruppe von mittelohmigen Eingangssteckern, und zwar über einen weiblichen Combo-XLR-Stecker und einen 1/4"-Kopfhörerklinkenstecker sowie einen XLR-Stecker, die sich auf der Rückseite befinden und parallel geschaltet sind. Es sind eine Link-Out- und eine Link-In-Klinke vorhanden, und neben der Eingangsklingengruppe ist ein Pegelregler vorhanden.

Die Systemverstärker verfügen über einen ungefilterten Frequenzgang von 10 Hz bis 30 kHz, der um nicht mehr als +0 abweicht, -1 dB bis Nennleistung, und weisen einen Dämpfungsfaktor von über 100 bei 1 kHz an 4 Ohm, ein Brumm- und Rauschverhalten besser als 90 dB unter Nennleistung sowie einen Klirrfaktor und Intermodulation von unter 0,1% auf. Der Woofer-Verstärker erbringt eine Leistung von 150 W an 8 Ohm Nennlast, der Hochtöner-Verstärker erbringt 50 W an 6 Ohm Nennlast. Beide sind mit unabhängiger Clipping-Schutzschaltung ausgestattet.

Das Eingangssignal wird durch eine Line-Pegelfrequenzweiche 3. Grades mit versetztem Pol bei 2 kHz elektronisch in Höhen und Tiefen geteilt. Die Tiefen werden bearbeitet, um Anhebung der Bässe, Subsonic-Filterung und allgemeine Frequenzveränderung zu ermöglichen, und die Höhen werden abgeglichen, um einen Abgleich des Horns mit konstanter Richtwirkung und Frequenzbearbeitung zu ermöglichen.

Die Box ist aus spritzgussgeformtem Polypropylen mit einer Nennstärke von 1/4" mit einer UL-Flammbeständigkeit und internen Verstärkungsrippen gefertigt. Der Woofer wird durch ein vinylbeschichtetes perforiertes Metallgitter geschützt. Die Box ist mit vier großen robusten Gummifüßen zum Abstellen auf dem Boden und jeweils vier Montagepunkt-Einsatzteilen oben und unten zum Fliegen ausgestattet.

Die Außenabmessungen betragen 48 x 36 x 33 cm (H x B x T), das Gewicht beträgt 16,5 kg. Leistungsbedarf: Nominal 100 Watt, 120 V Wechselstrom, 60 Hz (USA) und 240 V Wechselstrom, 50 Hz (Europa).



# CREST AUDIO LIMITED WARRANTY

*Effective Date: November 1, 2000*

**What This Warranty Covers**

Your Crest Audio Warranty covers defects in material and workmanship in Crest Audio products purchased and serviced in the U.S.A.

**What This Warranty Does Not Cover**

The Warranty does not cover: (1) damage caused by accident, misuse, abuse, improper installation or operation, rental, product modification or neglect; (2) damage occurring during shipment; (3) damage caused by repair or service performed by persons not authorized by Crest Audio; (4) products on which the serial number has been altered, defaced or removed; (5) products not purchased directly from Crest Audio or from an Authorized Crest Audio Dealer.

**Who This Warranty Protects**

This Warranty protects only the original purchaser of the product.

**How Long This Warranty Lasts**

The Warranty begins on the date of purchase by the original retail purchaser. The duration of the Warranty is as follows:

<b>Product Category</b>	<b>Duration</b>
<b>Amplifiers</b>	<b>5 years</b>
<b>Consoles</b>	<b>5 years</b>
<b>Signal Processing</b>	<b>2 years *(+1 year)</b>
<b>Enclosures</b>	<b>3 years *(+2 years)</b>
<b>“Crest Performance”</b>	<b>2 years *(+2 years)</b>

*[\*Denotes additional warranty period applicable if optional Warranty Registration Card is completed and returned to Crest Audio by original purchaser within 90 days of purchase.]*

*[\*\*Denotes all products sold under the “Crest Performance” brand including amplifiers, consoles, signal processing, enclosures and any other product category.]*

**What Crest Audio Will Do**

We will repair or replace (at Crest Audio’s discretion) products covered by warranty at no charge for labor or materials. If the product or component must be shipped to Crest Audio for warranty service, the consumer must pay initial shipping charges. If the repairs are covered by warranty, Crest Audio will pay the return shipping charges.

**How To Get Warranty Service**

- (1) Take the defective item and your sales receipt or other proof of date of purchase to your Authorized Crest Audio Dealer or Authorized Crest Audio Service Center OR
- (2) Ship the defective item prepaid to Crest Audio, 100 Eisenhower Dr., Paramus, NJ 07652. Include a detailed description of the problem, together with a copy of your sales receipt or other proof of date of purchase as evidence of warranty coverage. Also provide a complete return address.

**Limitation of Implied Warranties**

ANY IMPLIED WARRANTIES, INCLUDING WARRANTIES OF MERCHANTABILITY AND FITNESS FOR A PARTICULAR PURPOSE, ARE LIMITED IN DURATION TO THE LENGTH OF THIS WARRANTY. Some states do not allow limitations on how long an implied warranty lasts, so the above limitation may not apply to you.

**Exclusions of Damages**

CREST AUDIO’S LIABILITY FOR ANY DEFECTIVE PRODUCT IS LIMITED TO THE REPAIR OR REPLACEMENT OF THE PRODUCT, AT CREST AUDIO’S OPTION. IF WE ELECT TO REPLACE THE PRODUCT, THE REPLACEMENT MAY BE A RECONDITIONED UNIT. CREST AUDIO SHALL NOT BE LIABLE FOR DAMAGES BASED ON INCONVENIENCE, LOSS OF USE, LOST PROFITS, LOST SAVINGS, DAMAGE TO ANY OTHER EQUIPMENT OR OTHER ITEMS AT THE SITE OF USE, OR ANY OTHER DAMAGES WHETHER INCIDENTAL, CONSEQUENTIAL OR OTHERWISE, EVEN IF CREST AUDIO HAS BEEN ADVISED OF THE POSSIBILITY OF SUCH DAMAGES. Some states do not allow the exclusion or limitation of incidental or consequential damages, so the above limitation or exclusion may not apply to you.

**This Warranty gives you specific legal rights, and you may also have other rights which vary from state to state.**

If you have any questions about this warranty or service received or if you need assistance in locating an Authorized Service Center, please contact Crest Audio at (201) 909-8700 and ask for the service department.

***Features and specifications subject to change without notice.***



Features and specifications subject to change without notice.

Crest Audio Inc. • 16-00 Pollitt Drive • Fair Lawn, NJ 07410 USA  
TEL: 201.909.8700 • FAX: 201.909.8744 • [www.crestaudio.com](http://www.crestaudio.com)



80304921

©2003

Printed in the U.S.A. 05/03

## Free Manuals Download Website

<http://myh66.com>

<http://usermanuals.us>

<http://www.somanuals.com>

<http://www.4manuals.cc>

<http://www.manual-lib.com>

<http://www.404manual.com>

<http://www.luxmanual.com>

<http://aubethermostatmanual.com>

Golf course search by state

<http://golfingnear.com>

Email search by domain

<http://emailbydomain.com>

Auto manuals search

<http://auto.somanuals.com>

TV manuals search

<http://tv.somanuals.com>