

Crestron **SMK-6X** Swivel Mount Kit for TPS-6X

Installation Guide



This document was prepared and written by the Technical Documentation department at:



Crestron Electronics, Inc.

15 Volvo Drive

Rockleigh, NJ 07647

1-888-CRESTRON

All brand names, product names and trademarks are the property of their respective owners.
©2008 Crestron Electronics, Inc.

Contents

Swivel Mount Kit for TPS-6X: SMK-6X	1
Introduction	1
Features and Functions	1
Specifications	1
Physical Description	2
Setup	3
Supplied Hardware	3
Installation	3
Resources	9
Industry Compliance	9
Further Inquiries	9
Future Updates	9
Return and Warranty Policies	10
Merchandise Returns / Repair Service	10
CRESTRON Limited Warranty	10

Swivel Mount Kit for TPS-6X: SMK-6X

Introduction

Features and Functions

- Designed for attachment to the TPS-6X-DS desktop docking station
- Swivel mount increases security by reducing chance of theft while improving viewing convenience
- Base rotates 330 degrees
- Mounts on the desktop, in a lectern or on a conference table
- Accommodates surface thickness from 3/4 inch (1.91 cm) minimum to 1 3/8 inches (3.50 cm) maximum, using the hardware provided
- Cables route through center of assembly, keeping cables completely hidden from work surface
- Customizable swivel range for added security and convenience

Specifications

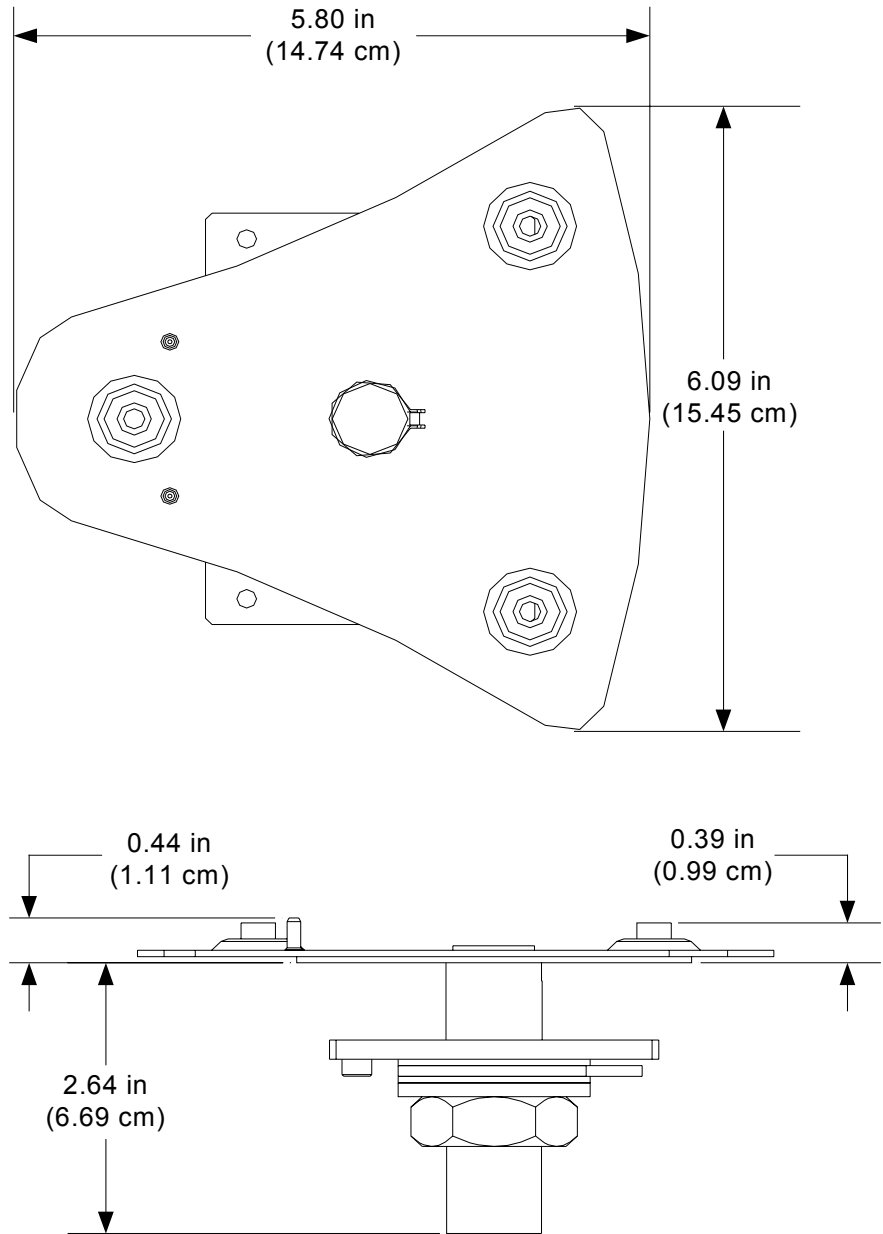
Specifications for the SMK-6X are listed in the following table.

SMK-6X Specifications

SPECIFICATION	DETAILS
Dimensions	
Height	2.64 in (6.69 cm)
Width	6.09 in (15.45 cm)
Depth	5.80 in (14.74 cm)
Weight	0.96 lbs (0.44 kg)

Physical Description

SMK-6X Overall Dimensions



Setup

Supplied Hardware

The hardware supplied with the SMK-6X is listed in the following table.

Supplied Hardware for the SMK-6X

DESCRIPTION	PART NUMBER	QUANTITY
Assembly, Swivel Stop Plate And Screw	4504353	1
Metal, Washer, Keyed, Swivel Stop	4506321	1
Cork/Rubber, Washer, Custom, Swivel	2017614	1
Rubber, Washer, Custom, Swivel	2017615	1
Screw, #08-32 x 3/8", Steel	2007269	3
Screw, #08-32 x 1/8", Steel	2017634	2
Washer, Flat, Steel, 7/8-A Narrow, 15/16" Inner Diameter, 1.75" Outer Diameter, 0.134" Thick	2017633	1
Nut, #7/8"-14, 1-15/16" Hex Diameter, 31/64"H, Steel, Zinc	2017632	1
Screw, #08-8B, 1/2", Pan, Phil	2017784	6
Template, Overlay, Table Cutout	4504871	1

Installation

To attach the SMK-6X Swivel Mount Kit to the TPS-6X-DS and install the assembly on a suitable mounting surface, refer to the following procedures.

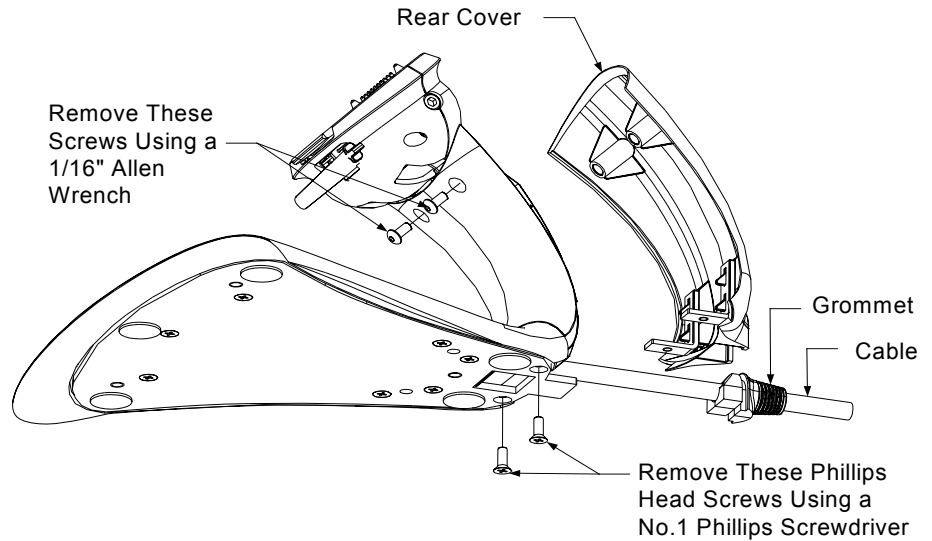
NOTE: The mounting surface thickness must be 3/4 inch (1.91 cm) minimum to 1 3/8 inches (3.50 cm) maximum using the hardware provided.

Preparing the TPS-6X-DS

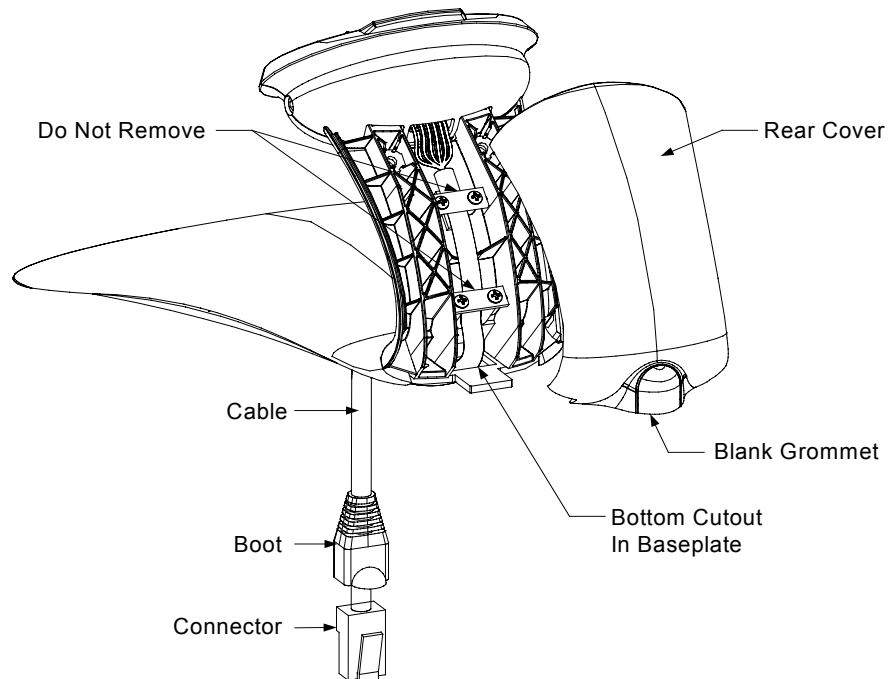
1. Remove the four screws on the TPS-6X-DS as shown in the first illustration on the following page.
2. Carefully remove the rear cover.
3. Slide the grommet out of the bottom of the rear cover and cut the grommet from the cable.
4. Slide the boot up the cable away from the connector as shown in the second illustration on the following page.
5. Feed the connector, then the boot and finally the full length of the cable through the bottom cutout in the base of the TPS-6X-DS.
6. Install the blank grommet provided with your TPS-6X-DS into place on the rear cover.
7. Replace the boot over the connector.
8. Replace the rear cover and the four screws removed in step 1.

CAUTION: Use caution when cutting the grommet to prevent damage to the connecting cable. Damage to this cable can result in loss of functionality in the TPS-6X.

Preparing the TPS-6X-DS (1 of 2)



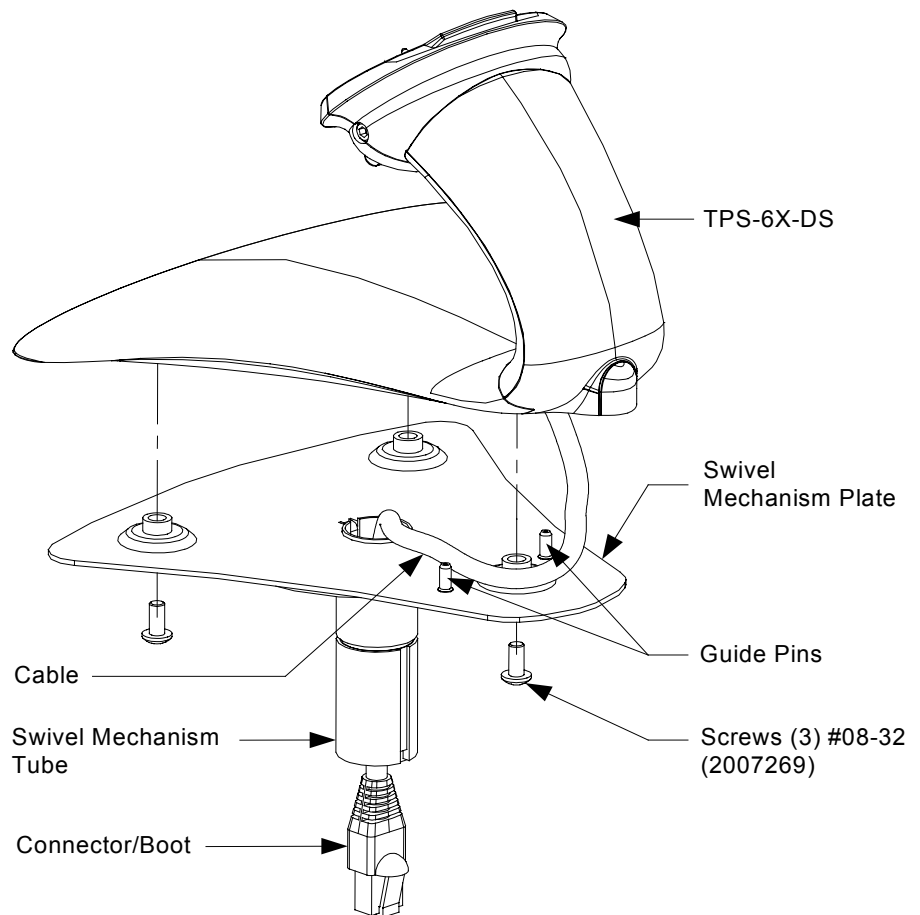
Preparing the TPS-6X-DS (2 of 2)



SMK-6X/TPS-6X-DS Assembly

1. Feed the Connector/Boot and the full length of the cable through the swivel mechanism tube with the cable positioned between one of the guide pins and the rearmost screw hole as shown in the illustration below.
2. Attach and secure the swivel mechanism plate to the TPS-6X-DS using the provided screws.
3. Pull the remaining cable slack down through the swivel mechanism tube.

CAUTION: Ensure that the cable is not pinched at any point between the swivel mechanism plate and the base of the TPS-6X-DS.

SMK-6X/TPS-6X-DS Assembly Diagram

SMK-6X Swivel Mount Kit Installation

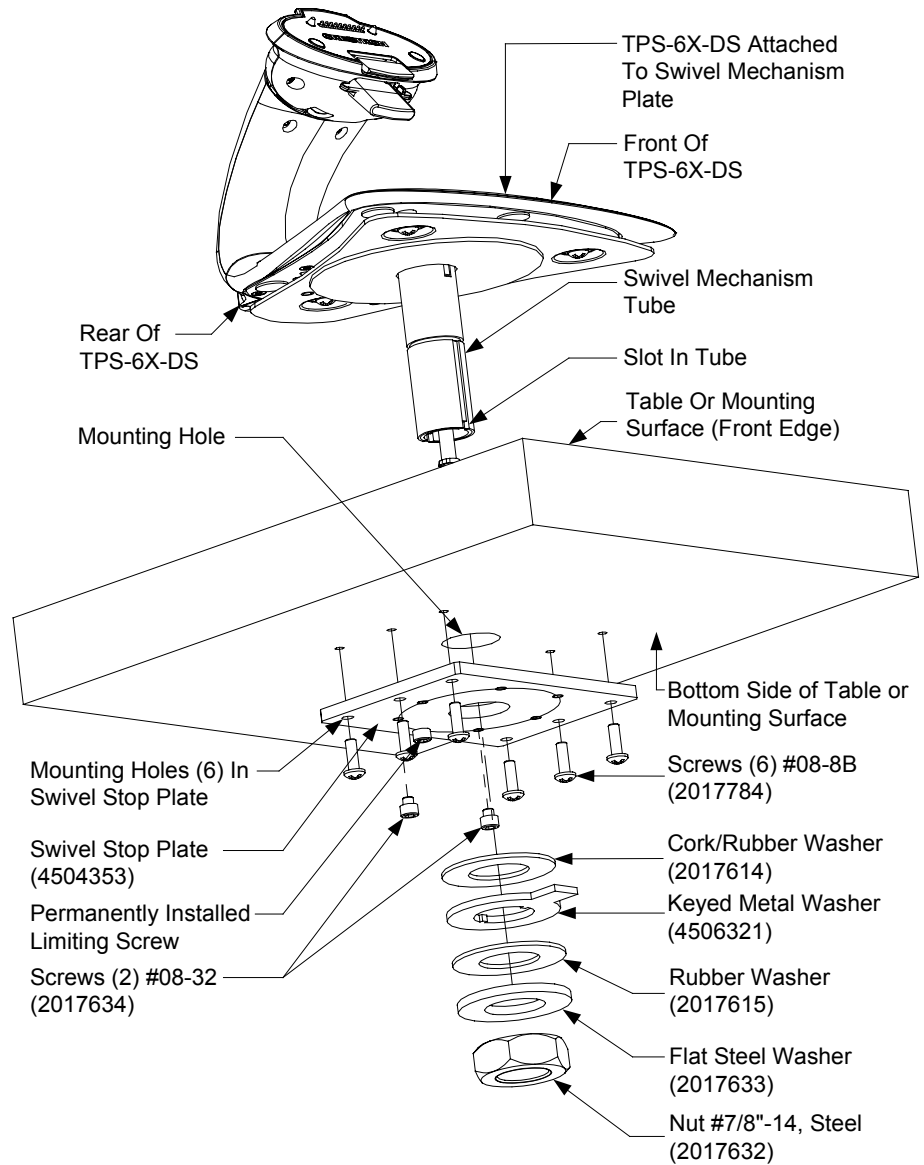
NOTE: The swivel stop plate has a permanently installed limiting screw to prevent the swivel mechanism plate from spinning continuously in one direction and tangling the cable attached to the TPS-6X-DS. This permanently installed limiting screw must be oriented so it is aligned with the rear of the TPS-6X-DS as shown in the illustration on the following page.

1. Prepare the mounting surface using the template provided with the kit. The center hole diameter for the swivel mechanism tube should be 7/8 inch (2.23 cm) minimum, 15/16 inch (2.39 cm) maximum. Position the template so the edge indicated as the front edge of the table aligns with the desired front position of the touchpanel. Observe the dashed line indicating the front edge of the TPS-6X-DS to ensure the touchpanel will not overhang the mounting surface.
2. Using the six mounting holes on the swivel stop plate as a template, drill pilot holes 0.093 inch (0.24 cm) minimum, 0.115 inch (0.30 cm) maximum in diameter, and no deeper than 0.35 inch (0.89 cm). Attach the swivel stop plate to the bottom of the mounting surface using the six screws provided with your kit. Pass the swivel mechanism tube down through the mounting hole and stop plate.
3. Slide the provided hardware up onto the swivel tube in the order indicated in the illustration on the following page.

NOTE: The keyed metal washer (4506321) will fit onto the swivel mechanism tube in one of two orientations. Orient the tab on the washer to face the front edge of the mounting surface.

4. Tighten and adjust the provided nut onto the swivel tube to achieve the desired resistance on the swivel assembly's motion. A flat tool (such as a large flat-head screwdriver) may be used in the slot on the bottom of the swivel mechanism tube to hold the tube still while tightening the nut.

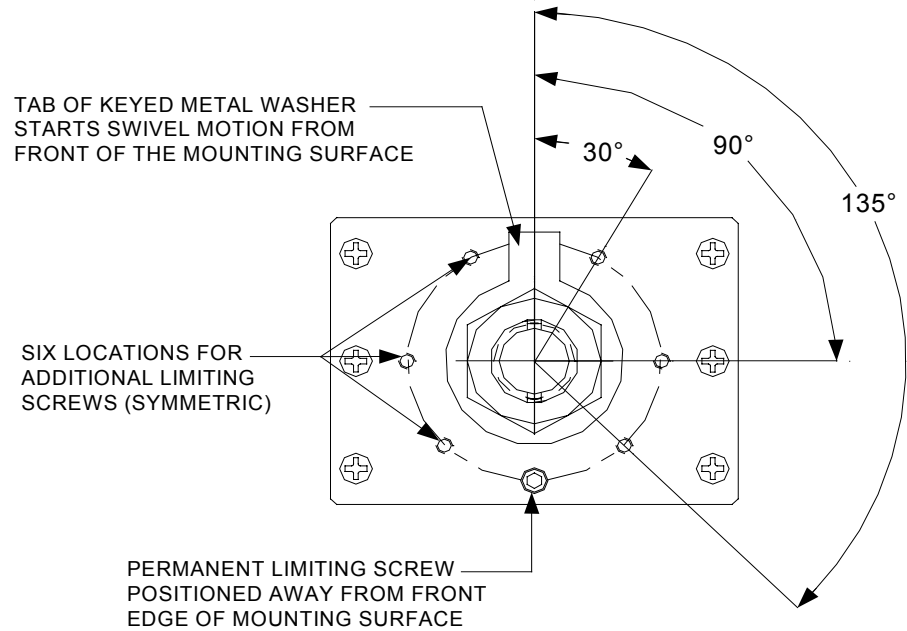
SMK-6X Swivel Mount Kit Installation Diagram



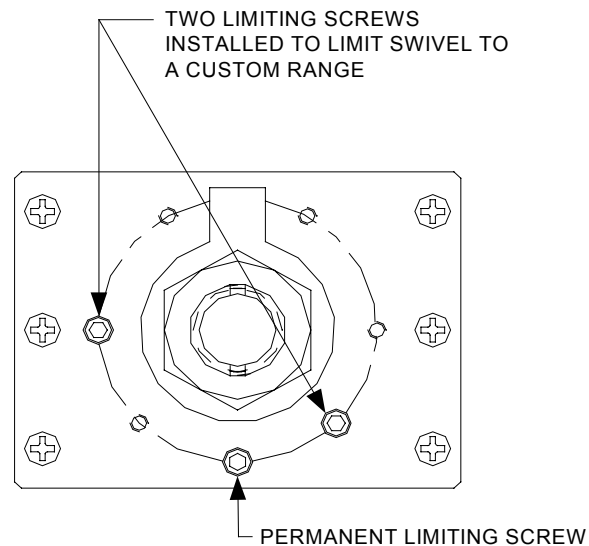
Customize Range

Aside from the permanently installed limiting screw attached to the swivel stop plate, two additional limiting screws are provided with your SMK-6X kit. These screws are provided to set a custom range of swivel movement. Refer to the illustrations below for their application.

Swivel Stop Plate with Permanent Limiting Screw



Swivel Stop Plate with Additional Limiting Screws



Resources

Industry Compliance

As of the date of manufacture, the SMK-6X has been tested and found to comply with specifications for CE marking and standards per EMC and Radiocommunications Compliance Labelling.



Further Inquiries

If you cannot locate specific information or have questions after reviewing this guide, please take advantage of Crestron's award winning customer service team by calling Crestron at 1-888-CRESTRON [1-888-273-7876].

You can also log onto the online help section of the Crestron website (www.crestron.com/onlinehelp) to ask questions about Crestron products. First-time users will need to establish a user account to fully benefit from all available features.

Future Updates

As Crestron improves functions, adds new features and extends the capabilities of the SMK-6X, additional information may be made available as manual updates. These updates are solely electronic and serve as intermediary supplements prior to the release of a complete technical documentation revision.

Check the Crestron website periodically for manual update availability and its relevance. Updates are identified as an “Addendum” in the Download column.

Return and Warranty Policies

Merchandise Returns / Repair Service

1. No merchandise may be returned for credit, exchange or service without prior authorization from CRESTRON. To obtain warranty service for CRESTRON products, contact an authorized CRESTRON dealer. Only authorized CRESTRON dealers may contact the factory and request an RMA (Return Merchandise Authorization) number. Enclose a note specifying the nature of the problem, name and phone number of contact person, RMA number and return address.
2. Products may be returned for credit, exchange or service with a CRESTRON Return Merchandise Authorization (RMA) number. Authorized returns must be shipped freight prepaid to CRESTRON, 6 Volvo Drive, Rockleigh, N.J. or its authorized subsidiaries, with RMA number clearly marked on the outside of all cartons. Shipments arriving freight collect or without an RMA number shall be subject to refusal. CRESTRON reserves the right in its sole and absolute discretion to charge a 15% restocking fee plus shipping costs on any products returned with an RMA.
3. Return freight charges following repair of items under warranty shall be paid by CRESTRON, shipping by standard ground carrier. In the event repairs are found to be non-warranty, return freight costs shall be paid by the purchaser.

CRESTRON Limited Warranty

CRESTRON ELECTRONICS, Inc. warrants its products to be free from manufacturing defects in materials and workmanship under normal use for a period of three (3) years from the date of purchase from CRESTRON, with the following exceptions: disk drives and any other moving or rotating mechanical parts, pan/tilt heads and power supplies are covered for a period of one (1) year; touchscreen display and overlay components are covered for 90 days; batteries and incandescent lamps are not covered.

This warranty extends to products purchased directly from CRESTRON or an authorized CRESTRON dealer. Purchasers should inquire of the dealer regarding the nature and extent of the dealer's warranty, if any.

CRESTRON shall not be liable to honor the terms of this warranty if the product has been used in any application other than that for which it was intended or if it has been subjected to misuse, accidental damage, modification or improper installation procedures. Furthermore, this warranty does not cover any product that has had the serial number altered, defaced or removed.

This warranty shall be the sole and exclusive remedy to the original purchaser. In no event shall CRESTRON be liable for incidental or consequential damages of any kind (property or economic damages inclusive) arising from the sale or use of this equipment. CRESTRON is not liable for any claim made by a third party or made by the purchaser for a third party.

CRESTRON shall, at its option, repair or replace any product found defective, without charge for parts or labor. Repaired or replaced equipment and parts supplied under this warranty shall be covered only by the unexpired portion of the warranty.

Except as expressly set forth in this warranty, CRESTRON makes no other warranties, expressed or implied, nor authorizes any other party to offer any warranty, including any implied warranties of merchantability or fitness for a particular purpose. Any implied warranties that may be imposed by law are limited to the terms of this limited warranty. This warranty statement supersedes all previous warranties.

Trademark Information

All brand names, product names and trademarks are the sole property of their respective owners. Windows is a registered trademark of Microsoft Corporation. Windows95/98/Me/XP/Vista and WindowsNT/2000 are trademarks of Microsoft Corporation.

This page is intentionally left blank.



Crestron Electronics, Inc.
15 Volvo Drive Rockleigh, NJ 07647
Tel: 888.CRESTRON
Fax: 201.767.7576
www.crestron.com

Installation Guide – DOC. 6577A
(2018617)
07.08
Specifications subject to
change without notice.

Free Manuals Download Website

<http://myh66.com>

<http://usermanuals.us>

<http://www.somanuals.com>

<http://www.4manuals.cc>

<http://www.manual-lib.com>

<http://www.404manual.com>

<http://www.luxmanual.com>

<http://aubethermostatmanual.com>

Golf course search by state

<http://golfingnear.com>

Email search by domain

<http://emailbydomain.com>

Auto manuals search

<http://auto.somanuals.com>

TV manuals search

<http://tv.somanuals.com>