



LM-SM

ACCESSORY SHOCK MOUNT ADAPTER FOR LM-SERIES GOOSENECK MICROPHONE

The LM-SM shock-mount accessory isolates a Crown LM-Series microphone from mechanical noise when mounted in a lectern, pulpit, or table top. The rubber isolator is highly stable and prevents theft by securely holding the mic in place. Installation is quick and easy.

The LM-301A requires an LM-301SMA shock mount adapter to work with the LM-SM shock mount.

Installation

1. To flush-mount the shock mount in the lectern, make a center mark for a $2\frac{3}{4}$ inch (6.985 cm) diameter hole. This will provide adequate clearance for the shock mount.
2. At the center mark, drill a $1\frac{7}{8}$ inch (4.763 cm) diameter hole to accept the LM-SM shock mount.
3. Using the four screws provided, screw the LM-SM shock mount to the lectern.
4. Adjust the microphone for the desired height and tighten the set screw in the LM-SM shock mount.

Fig. 1

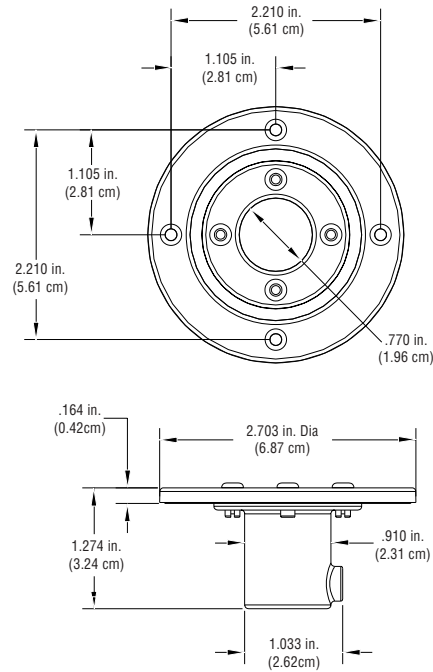
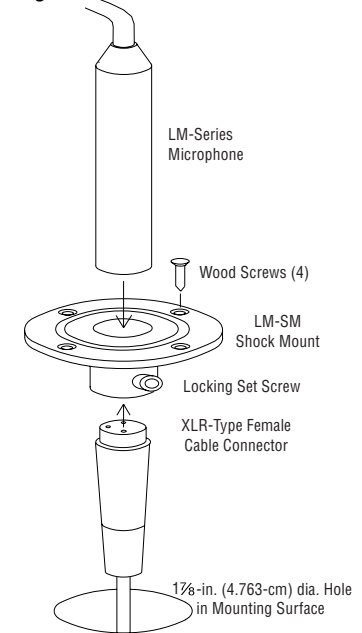


Fig. 2



102005-3
5/02

Free Manuals Download Website

<http://myh66.com>

<http://usermanuals.us>

<http://www.somanuals.com>

<http://www.4manuals.cc>

<http://www.manual-lib.com>

<http://www.404manual.com>

<http://www.luxmanual.com>

<http://aubethermostatmanual.com>

Golf course search by state

<http://golfingnear.com>

Email search by domain

<http://emailbydomain.com>

Auto manuals search

<http://auto.somanuals.com>

TV manuals search

<http://tv.somanuals.com>