

SST-MX

The Crown SST-MX module is a fourth-order Linkwitz-Riley type crossover with a fixed crossover point set at 100 Hz. Truly a professional crossover, the SST-MX uses hard-wired precision components that stay at the frequencies you have selected for consistent bandwidth control.

SST (System Solution Topologies) modules install into the back of Crown SST-compatible amplifiers, saving rack space and simplifying system wiring.

For more details about the Crown SST-MX, contact the Crown Technical Support Group at 800-342-6939 or 574-294-8200. Also, visit the Crown Audio website at www.crownaudio.com.

Specifications

Frequency Response: ± 0.1 dB from 20 Hz to 20 kHz.

Signal to Noise (A-Weighted): Better than 85 dB below rated power.

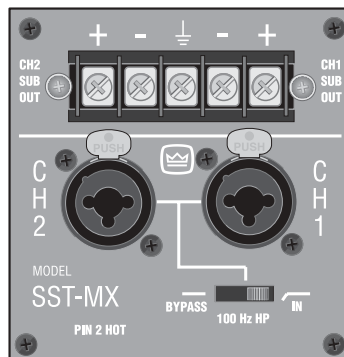
Input Impedance: 20 k ohms balanced, 10 k ohms unbalanced.

Output Impedance: 600 ohms balanced.

Total Harmonic Distortion (THD): 1 kHz rated power, less than 0.1% true THD.

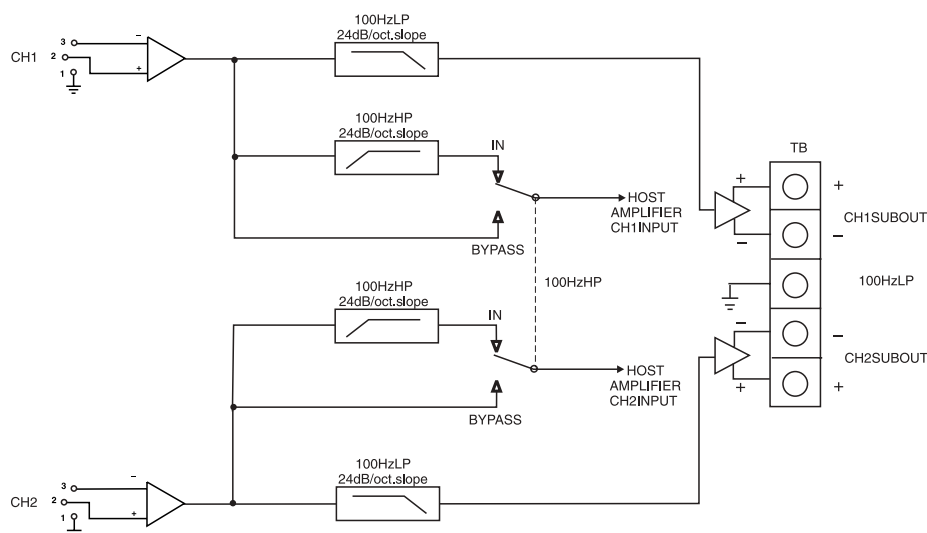
Crosstalk: > 50 dB from 20 Hz to 20 kHz.

Maximum Output: +18 dB into 600 ohms.



Features

- Stereo biamp.
- 24-dB/octave Linkwitz-Riley crossover fixed at 100-Hz.
- Stereo sub outputs.
- SST modules install into the back of your amplifier, saving rack space and simplifying system wiring.
- Neutrik® Combo input jacks.
- Barrier block balanced outputs.
- Optional high-pass filter bypass on amplified outputs adapts system for full-range use.
- SST Modules add flexibility by allowing you to tailor your Crown Contractor (CH/CL) Series or CE Series amplifier to your application.



SST-MX Block Diagram

Crown's Three-Year, No-Fault, Fully Transferable Warranty

Crown offers a Three-Year, No-Fault, Fully Transferable Warranty for every new Crown amplifier product—an unsurpassed industry standard. With this unprecedented No-Fault protection, your new Crown amplifier product is warranted to meet or exceed original specifications for the first three years of ownership. During this time, if your unit fails, or does not perform to original specifications, it will be repaired or replaced at our expense. About the only things not covered by this warranty are those losses normally covered by insurance and those caused by intentional abuse. And the coverage is transferable, should you sell your unit.

See your authorized Crown dealer for full warranty disclosure and details. For customers outside of the USA, please contact your authorized Crown distributor for warranty information or call 574-294-8200.



H A Harman International Company

Crown Audio, Inc.
P.O. Box 1000
Elkhart, IN 46515-1000
TEL: 574-294-8200
FAX: 574-294-8FAX
www.crownaudio.com

Specifications subject to change without prior notice. Latest information available at www.crownaudio.com.

Crown is a registered trademark of Crown International, Inc. Other trademarks are the property of their respective owners. Printed in U.S.A.

© 2003 Crown Audio, Inc.

Free Manuals Download Website

<http://myh66.com>

<http://usermanuals.us>

<http://www.somanuals.com>

<http://www.4manuals.cc>

<http://www.manual-lib.com>

<http://www.404manual.com>

<http://www.luxmanual.com>

<http://aubethermostatmanual.com>

Golf course search by state

<http://golfingnear.com>

Email search by domain

<http://emailbydomain.com>

Auto manuals search

<http://auto.somanuals.com>

TV manuals search

<http://tv.somanuals.com>