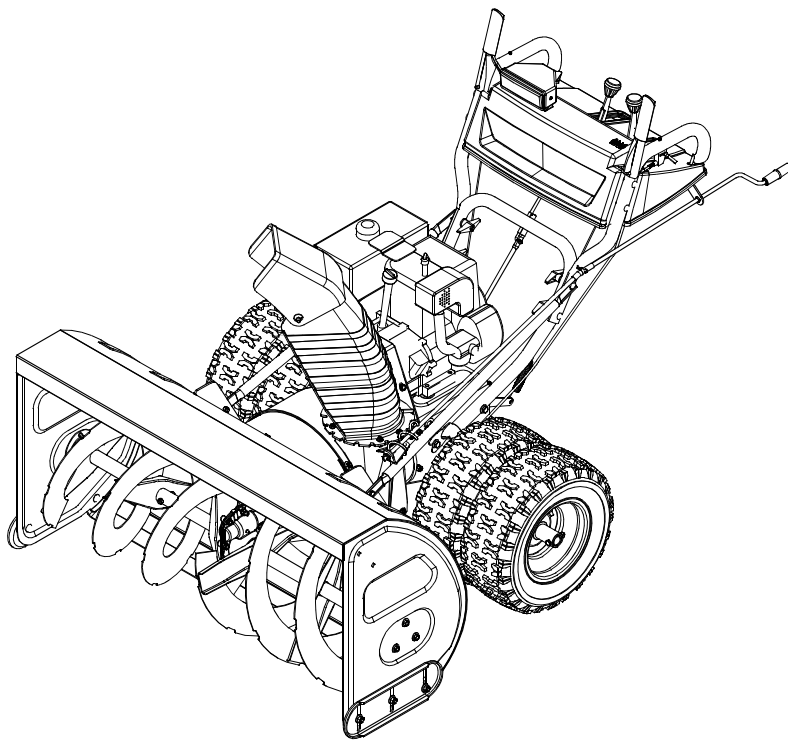


Cub Cadet

OPERATOR'S MANUAL

45" Snow Thrower Model 1345 SWE



IMPORTANT: READ SAFETY RULES AND INSTRUCTIONS CAREFULLY

Warning: This unit is equipped with an internal combustion engine and should not be used on or near any unimproved forest-covered, brush-covered or grass-covered land unless the engine's exhaust system is equipped with a spark arrester meeting applicable local or state laws (if any). If a spark arrester is used, it should be maintained in effective working order by the operator. In the State of California the above is required by law (Section 4442 of the California Public Resources Code). Other states may have similar laws. Federal laws apply on federal lands. A spark arrester for the muffler is available through your nearest engine authorized service dealer or contact the service department, P.O. Box 368023 Cleveland, Ohio 44136-9722.

CUB CADET CORP. P.O. BOX 368023 CLEVELAND, OHIO 44136-9722

PRINTED IN U.S.A.
ECO No. 1481

FORM NO. 770-10300A
(8/2000)

TABLE OF CONTENTS

Content	Page
Important Safe Operation Practices.....	3
Assembling Your Snow Thrower	5
Knowing Your Snow Thrower	8
Operating Your Snow Thrower	9
Making Adjustments	11
Maintaining Your Snow Thrower.....	12
Servicing Your Snow Thrower	14
Off-Season Storage.....	17
Trouble Shooting Guide.....	18
Parts List.....	19


FINDING MODEL NUMBER

This Operator's Manual is an important part of your new snow thrower. It will help you assemble, prepare and maintain the unit for best performance. Please read and understand what it says.



Before you start to prepare your snow thrower for its first use, please locate the model plate and copy the information from it in this Operator's Manual. The information on the model plate is very important if you need help from your dealer or the Customer Support Department.

You can locate the model number by looking at the lower frame cover on the rear of your snow thrower. A sample model plate is explained below. For future reference, please copy the model number and the serial number of the equipment in the space below.

(Model Number)	(Serial Number)
 CUB CADET CORP. P.O. BOX 368023 CLEVELAND, OHIO 44136	

Copy the model number here: _____

Copy the serial number here: _____

CALLING CUSTOMER SUPPORT

If you have difficulty assembling this product or have any questions regarding the controls, operation or maintenance of this unit, please call the Customer Dealer Referral Line.



Call **1- (800)-528-1009** to reach the Customer Dealer Referral Line. Please have your unit's model number and serial number ready when you call. See previous section to locate this information.

For more details about your unit, visit our web site at www.cubcadet.com

SECTION 1: IMPORTANT SAFE OPERATION PRACTICES



This symbol points out important safety instructions which, if not followed, could endanger the personal safety and/or property of yourself and others. Read and follow all instructions in this manual before attempting to operate this machine. Failure to comply with these instructions may result in personal injury. When you see this symbol—**heed its warning**.



WARNING: Engine Exhaust, some of its constituents, and certain vehicle components contain or emit chemicals known to State of California to cause cancer and birth defects or other reproductive harm.



DANGER: This machine was built to be operated according to the rules for safe operation in this manual. As with any type of power equipment, carelessness or error on the part of the operator can result in serious injury. This machine is capable of amputating hands and feet and throwing objects. Failure to observe the following safety instructions could result in serious injury or death.

Training

1. Read, understand, and follow all instructions on the machine and in the manual(s) before attempting to assemble and operate. Keep this manual in a safe place for future and regular reference and for ordering replacement parts.
 2. Be familiar with all controls and their proper operation. Know how to stop the machine and disengage them quickly.
 3. Never allow children under 14 years old to operate this machine. Children 14 years old and over should read and understand the operation instructions and safety rules in this manual and should be trained and supervised by a parent.
 4. Never allow adults to operate this machine without proper instruction.
 5. Thrown objects can cause serious personal injury. Plan your snow throwing pattern to avoid discharge of material toward roads, bystanders and the like.
 6. Keep bystanders, helpers, pets and children at least 75 feet from the machine while it is in operation. Stop machine if anyone enters the area.
 7. Exercise caution to avoid slipping or falling, especially when operating in reverse.
7. Never attempt to make any adjustments while engine is running, except where specifically recommended in the operator's manual.
 8. Let engine and machine adjust to outdoor temperature before starting to clear snow.
 9. To avoid personal injury or property damage use extreme care in handling gasoline. Gasoline is extremely flammable and the vapors are explosive. Serious personal injury can occur when gasoline is spilled on yourself or your clothes which can ignite. Wash your skin and change clothes immediately.
 - a. Use only an approved gasoline container.
 - b. Extinguish all cigarettes, cigars, pipes and other sources of ignition.
 - c. Never fuel machine indoors.
 - d. Never remove gas cap or add fuel while the engine is hot or running.
 - e. Allow engine to cool at least two minutes before refueling.
 - f. Never over fill fuel tank. Fill tank to no more than ½ inch below bottom of filler neck to provide space for fuel expansion.
 - g. Replace gasoline cap and tighten securely.
 - h. If gasoline is spilled, wipe it off the engine and equipment. Move machine to another area. Wait 5 minutes before starting the engine.
 - i. Never store the machine or fuel container inside where there is an open flame, spark or pilot light (e.g. furnace, water heater, space heater, clothes dryer etc.).
 - j. Allow machine to cool 5 minutes before storing.

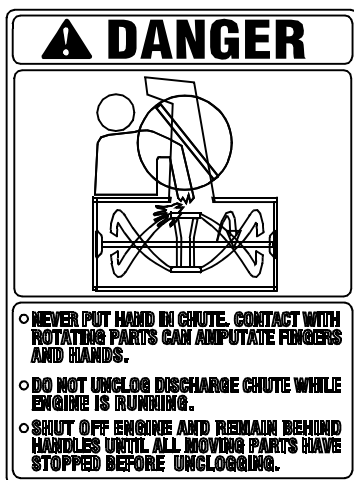
Preparation

1. Thoroughly inspect the area where the equipment is to be used. Remove all door mats, newspapers, sleds, boards, wires and other foreign objects which could be tripped over or thrown by the auger/impeller.
2. Always wear safety glasses or eye shields during operation and while performing an adjustment or repair to protect your eyes. Thrown objects which ricochet can cause serious injury to the eyes.
3. Do not operate without wearing adequate winter outer garments. Do not wear jewelry, long scarves or other loose clothing which could become entangled in moving parts. Wear footwear which will improve footing on slippery surfaces.
4. Use a grounded three wire extension cord and receptacle for all units with electric start engines.
5. Adjust collector housing height to clear gravel or crushed rock surfaces.
6. Disengage all clutch levers before starting the engine.

Operation

1. Do not put hands or feet near rotating parts, in the auger/impeller housing or discharge chute. Contact with the rotating parts can amputate hands and feet.
2. The auger/impeller clutch lever is a safety device. Never bypass its operation. Doing so, makes the machine unsafe and may cause personal injury.
3. The clutch levers must operate easily in both directions and automatically return to the disengaged position when released.
4. Never operate with a missing or damaged discharge chute. Keep all safety devices in place and working.

5. Never run an engine indoors or in a poorly ventilated area. Engine exhaust contains carbon monoxide, an odorless and deadly gas.
6. Do not operate machine while under the influence of alcohol or drugs.
7. Muffler and engine become hot and can cause a burn. Do not touch.
8. Exercise extreme caution when operating on or crossing gravel surfaces. Stay alert for hidden hazards or traffic.
9. Exercise caution when changing direction and while operating on slopes.
10. Plan your snow throwing pattern to avoid discharge towards windows, walls, cars etc. To avoid property damage or personal injury caused by a ricochet.
11. Never direct discharge at children, bystanders and pets or allow anyone in front of the machine.
12. Do not overload machine capacity by attempting to clear snow at too fast of a rate.
13. Never operate this machine without good visibility or light. Always be sure of your footing and keep a firm hold on the handles. Walk, never run.
14. Disengage power to the auger/impeller when transporting or not in use.
15. Never operate machine at high transport speeds on slippery surfaces. Look down and behind and use care when in reverse.
16. If the machine should start to vibrate abnormally, stop the engine, disconnect the spark plug and ground it against the engine. Inspect thoroughly for damage. Repair any damage before starting and operating.
17. Disengage all clutch levers and stop engine before you leave the operating position (behind the handles). Wait until the auger/impeller comes to a complete stop before unclogging the discharge chute, making any adjustments, or inspections.
18. Never put your hand in the discharge or collector openings. Always use a clearing tool to unclog the discharge opening.
19. Use only attachments and accessories approved by the manufacturer (e.g. wheel weights, tire chains, cabs etc.).
20. If situations occur which are not covered in this manual, use care and good judgment. Contact your dealer or telephone 1-800-528-1009 for assistance and the name of your nearest servicing dealer.



Maintenance And Storage

1. Never tamper with safety devices. Check their proper operation regularly.
2. Disengage all clutch levers and stop engine. Wait until the auger/impeller come to a complete stop. Disconnect the spark plug wire and ground against the engine to prevent unintended starting before cleaning, repairing, or inspecting.
3. Check bolts, and screws for proper tightness at frequent intervals to keep the machine in safe working condition. Also, visually inspect machine for any damage.
4. Do not change the engine governor setting or over-speed the engine. The governor controls the maximum safe operating speed of the engine.
5. Snow thrower shave plates and skid shoes are subject to wear and damage. For your safety protection, frequently check all components and replace with original equipment manufacturer's (O.E.M.) parts only. Use of parts which do not meet the original equipment specifications may lead to improper performance and compromise safety.
6. Check clutch controls periodically to verify they engage and disengage properly and adjust, if necessary. Refer to the adjustment section in this operator's manual for instructions.
7. Maintain or replace safety and instruction labels, as necessary.
8. Observe proper disposal laws and regulations for gas, oil, etc. to protect the environment.
9. Prior to storing, run machine a few minutes to clear snow from machine and prevent freeze up of auger/impeller.
10. Never store the machine or fuel container inside where there is an open flame, spark or pilot light such as a water heater, furnace ,clothes dryer etc.
11. Always refer to the operator's manual for proper instructions on off-season storage.

Your Responsibility:

Restrict the use of this power machine to persons who read, understand and follow the warnings and instructions in this manual and on the machine. The safety labels are given below for your reference.



SECTION 2: ASSEMBLING YOUR SNOW THROWER

Unpacking

- Remove staples from the top, sides, and ends of the shipping crate.
- Set panels aside to avoid tire punctures or personal injury.
- Remove and discard plastic bag that covers unit.
- Roll the unit out of the crate.
- Check the crate thoroughly for loose parts before discarding.

Loose Parts

- The snow thrower is shipped with the following loose parts in the carton. Refer to Figure 1 for illustration, description of item, and part number. Please remove all loose parts from the carton before discarding it.

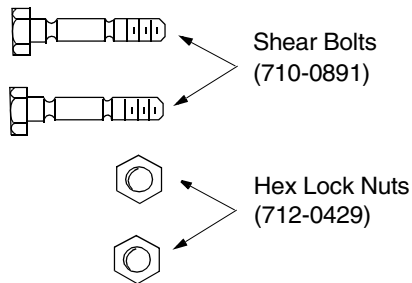


Figure 1

- Note that these shear bolts and hex lock nuts are not meant for initial assembly of the equipment. If the snow thrower hits a foreign object or ice jam, the bolts securing the auger shaft may shear. Use these two shear bolts and nuts as replacement parts only. Store these in a safe place until needed.

IMPORTANT: NEVER replace the auger shear bolts with standard hex bolts. Any damage to the auger gearbox or other components from standard hex bolts will not be covered by your snow thrower's warranty.

Assembling Handle

NOTE: Reference to the left or right side of the snow thrower in this manual is observed from the operator's position.

IMPORTANT: Make any final adjustments, as instructed later on in this section, before operating your snow thrower. Failure to follow these instructions may cause damage to the snow thrower.

- Remove the **lower** plastic wing nut, cupped washer and carriage bolt from each side of the lower handle. Refer to Figure 2.

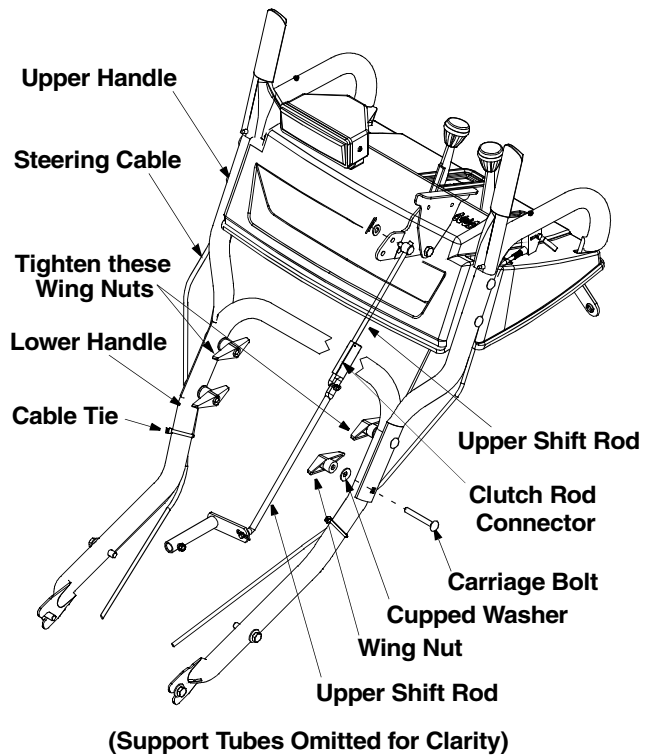


Figure 2

- Raise the upper handle assembly in the direction shown in Figure 3. Make sure that the upper handle locks into position over the lower handle.

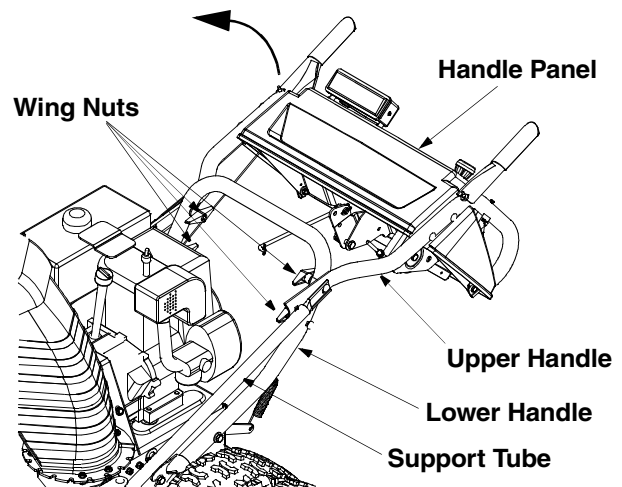


Figure 3

- Look at the lower rear of the snow thrower frame to be sure all the cables are aligned with the cable roller guides.
- Secure the upper handle and lower handle with the two plastic wing nuts, cupped washers and carriage bolts previously removed. Attach these hardware on the lower hole in the handles. See Figure 3.

- Tighten the two wing nuts already in place on the upper holes and secure the handles firmly. Refer to Figure 2.
- Slide the shift rod connector down over the end of the lower shift rod as shown in Figure 2. Tap the connector until it **locks** on the lower shift rod.

NOTE: If the connector is not properly assembled, the shift rod will pivot and you will not be able to change direction or speed of the snow thrower.

- Remove the hairpin clip from the upper chute crank and slide the upper chute crank through the upper chute crank bracket and into the lower chute crank. Align the two holes on both chute cranks and insert the hairpin clip removed earlier, through these holes. Refer to Figure 4.

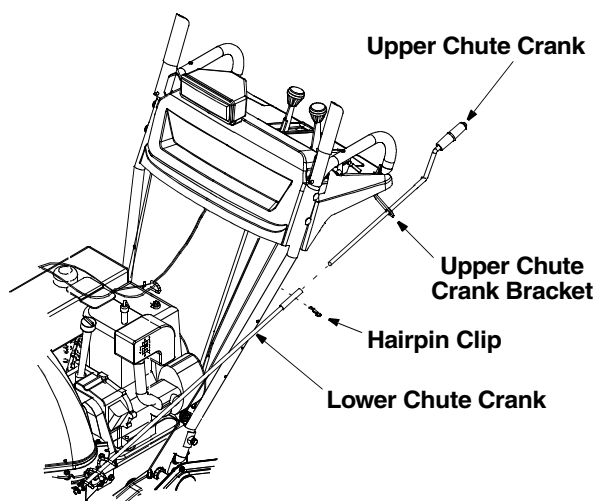


Figure 4

- If not already attached, slip the cables that run from the handle panel to the discharge chute into the cable guide located on top of the engine as shown in Figure 5.

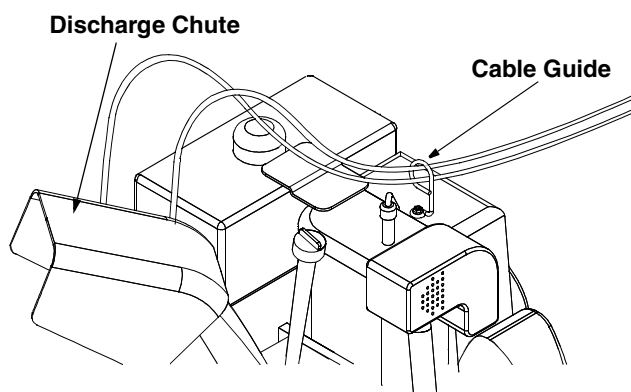


Figure 5

- Unwrap the headlight wire which is attached to the headlight, beneath the handle panel. Wind the headlight wire around the lower right handle until excess slack is removed. Refer to Figure 6.

- Plug the wire from the headlight into the alternator lead coming from the right side of the engine, underneath the fuel tank as shown in Figure 6 inset.

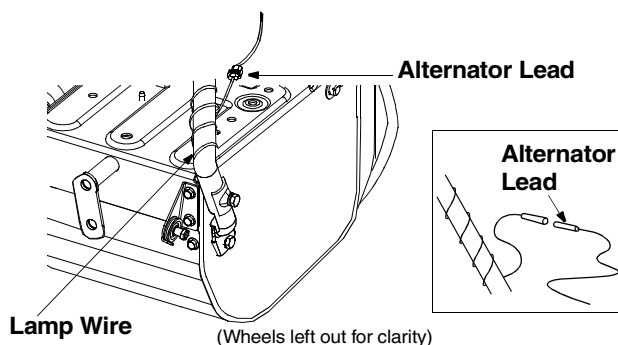


Figure 6

Final Adjustments

NOTE: It is helpful to read Section 3, *Knowing Your Snow Thrower*, to help identify certain areas of the snow thrower before performing adjustments.

Traction Control and Shift Lever

To check the adjustment of the traction control and shift lever, proceed as follows:

- Move the shift lever into sixth (6) position.
- With the traction control released, push the snow thrower forward, then pull it back. The machine should move freely.
- Engage the traction control and attempt to move the machine both forward and back, resistance should be felt.
- Move the shift lever into the fast reverse (R2) position and repeat the previous two steps.

If you experienced resistance rolling the unit, either when repositioning the shift lever from 6 to R2 or when attempting to move the machine with the traction control released, adjust the traction control immediately. To adjust, proceed as follows:

- Loosen the jam nut on the traction control cable and UNTHREAD the cable one full turn.
- Recheck adjustment.
- Retighten the jam nut to secure the cable when correct adjustment is reached.

NOTE: For more details, refer to *Traction Control Adjustment* on page 11.

Auger Control

Check the adjustment of the auger control as follows:

- Push down on the auger control until the small rubber bumper contacts the upper handle. There should be a small amount of slack in the auger control cable.
- Release the auger control. The cable should be straight. Make certain you can depress the auger control against the left handle completely.

If adjustment is necessary, proceed as follows:

- Loosen the jam nut and thread the cable in (for less slack) or out (for more slack) as necessary. See Figure 7.

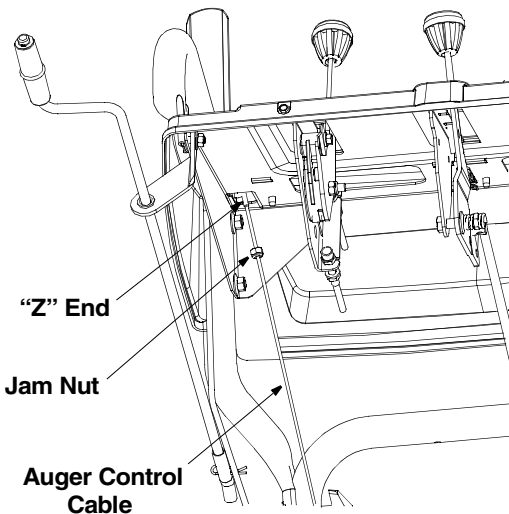


Figure 7

- Recheck adjustment; readjust as necessary and tighten the jam nut.

Skid Shoes

The space between the shave plate and the ground can be adjusted by repositioning the skid shoes. For close snow removal, as when using on a smooth concrete or asphalt driveway, place the skid shoes in the low position. Use the middle or high position when the area to be cleared is uneven. Refer to Figure 8. When operating on gravel, always put skid shoes in the high position.

Adjust skid shoes as follows:

- Loosen, but do not remove, the three hex nuts which fasten the skid shoe to the auger housing.
- Raise or lower the skid shoe to desired position.
- Retighten the hex nuts loosened earlier.

- Repeat on the other side of the snow thrower.

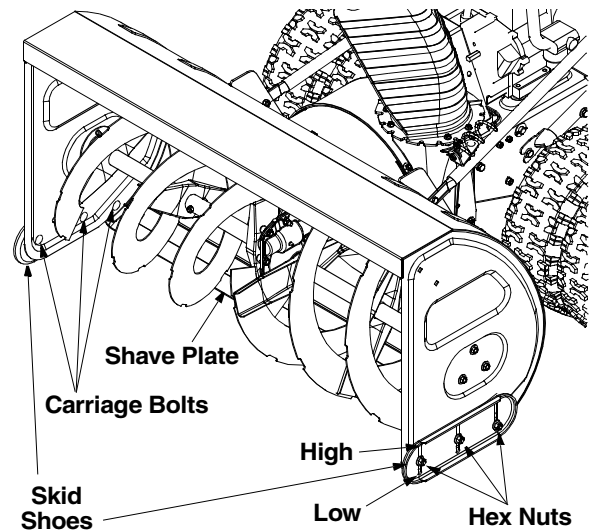


Figure 8

NOTE: Make certain the entire bottom surface of skid shoe is against the ground to avoid uneven wear on the skid shoes.

Tire Pressure (Pneumatic Tires)

The tires are overinflated for shipping purposes.

- Check tire pressure. Maintain pressure between 10 and 14 psi.

NOTE: If the tire pressure is not equal in all tires, the unit may pull to one side or the other.



WARNING: Maximum tire pressure under any circumstance is 30 psi. Equal tire pressure should be maintained at all times. Excessive pressure (over 30 psi) when seating beads may cause tire/rim assembly to burst with force sufficient to cause serious injury.

SECTION 3: KNOWING YOUR SNOW THROWER



WARNING: Be familiar with all the controls and their proper operation. Know how to stop the machine and disengage them quickly.

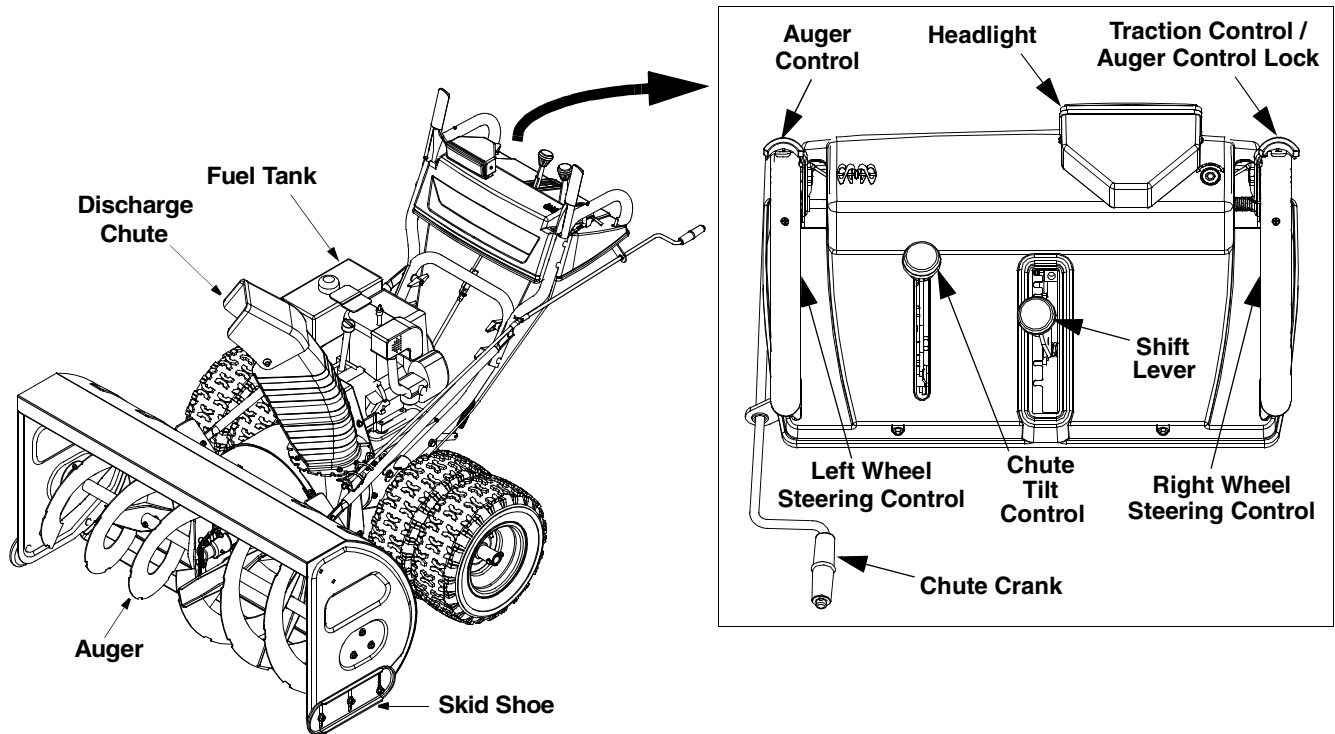


Figure 9

Traction Control / Auger Control Lock

The traction control is located on the right handle. Refer to Figure 9. Squeeze the traction control to engage the wheel drive. Release to stop.

This same lever also locks the auger control so you can operate the chute crank without interrupting the snow throwing process. If the auger control is engaged simultaneously with the traction control, the operator can release the auger control (on the left handle) and the augers will remain engaged. Release the traction control to stop the augers and wheel drive (the auger control must also be released).

IMPORTANT: Always release the traction control before changing speeds.

Auger Control

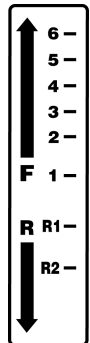
The auger control is located on the left handle. Squeeze the auger control to engage the augers. Release to stop the snow throwing action. The traction control must also be released in order to stop the auger.

Shift Lever

The shift lever is located in the center of the handle panel and is used to determine ground speed. It can be moved into any of eight positions for speed and direction variations as described below. Always release traction the control before changing speeds.

Forward: Your snow thrower has six forward (F) speeds. Position one (1) is the slowest and position six (6) is the fastest.

Reverse: Your snow thrower has two reverse (R) speeds. R1 is the slower, while R2 is faster.



Chute Crank

The chute crank is located on the left hand side of the snow thrower as shown in Figure 9. To change the direction in which snow is thrown, turn the chute crank as follows:

- Turn *clockwise* to discharge to the left;
- Turn *counterclockwise* to discharge to the right.

Wheel Steering Controls

The left and right wheel steering controls are located on the underside of the handles and are used to assist in steering the snow thrower.

- Squeeze the right wheel steering control when turning right; squeeze the left control when turning left.
- Operate the snow thrower in open areas until becoming familiar with these controls.

Chute Tilt Control

The distance snow is thrown can be changed by adjusting the angle of the chute assembly. Move the chute tilt control forward to decrease the distance, toward the rear to increase.

Discharge Chute

The angle of the discharge chute controls the distance that the snow is thrown. Tilt the discharge chute up for greater distance; tilt down for less distance.

Skid Shoe

The position of the skid shoe is determined by the condition of the ground from where snow has to be removed. Refer to page 7 for details.

Headlight

The headlight is on whenever the engine is running.

Throttle Control

The throttle control is located on the engine. It regulates the speed of the engine. Refer to Figure 10.

Safety Ignition Key

The safety ignition key must be fully inserted in the switch before the unit will start. Remove key when snow thrower is not in use. Do not attempt to turn the key. See Figure 10.

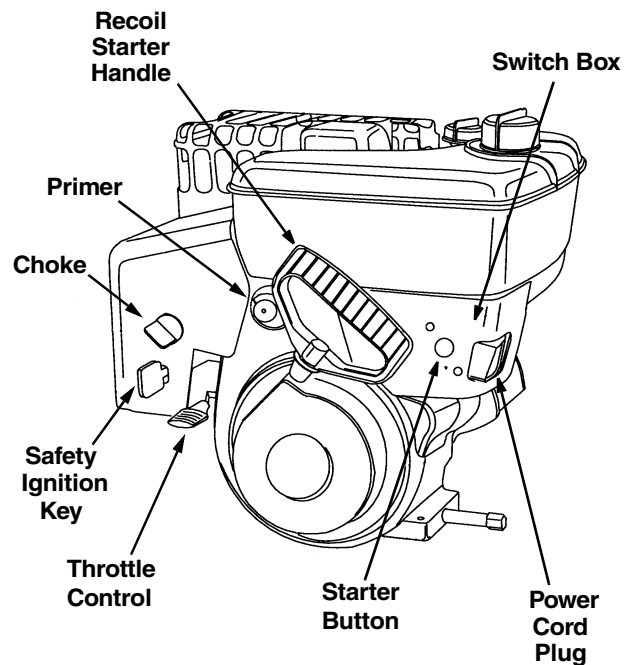


Figure 10

SECTION 4: OPERATING YOUR SNOW THROWER

Before Starting



WARNING: Read, understand, and follow all instructions and warnings on the machine and in this manual before operating.

- The spark plug wire was disconnected for safety. Attach spark plug wire to spark plug before starting.
- Make certain the auger and traction control levers are in the disengaged (released) position.
- Check the oil and fuel levels and add if necessary. Follow related instructions in the separate engine manual packed with your snow thrower.



WARNING: Use extreme care when handling gasoline. Gasoline is extremely flammable and the vapors are explosive. Never fuel the machine indoors or while the engine is hot or running. Extinguish cigarettes, cigars, pipes and other sources of ignition.

To Start Engine

- Move throttle control up to FAST position. Insert ignition key into slot. Make sure it snaps into place. **Do not turn key.**

NOTE: Engine will not start unless the safety ignition key is inserted into ignition slot in the carburetor cover.

Electric Starter



WARNING: The electric starter is equipped with a grounded three-wire power cord and plug, and is designed to operate on 120 volt AC household current. It must be used with a properly grounded three-prong receptacle at all times to avoid the possibility of electric shock. Follow all instructions carefully prior to operating the electric starter.

- Determine that your house wiring is a three-wire grounded system. Ask a licensed electrician if you are not certain.

- **If your house wiring system is not a three-wire grounded system**, do not use this electric starter under any conditions.
- **If your home electrical system is grounded**, but a three-hole receptacle is not available, one should be installed by a licensed electrician before using the electric starter.
- **If you have a grounded three-prong receptacle**, proceed as follows.
- Rotate choke knob to FULL position.
- Push primer two or three times for cold engine start.
- Connect power cord to switch box located on the side of engine. Plug the other end of power cord into a three-prong 120-volt, grounded, AC receptacle.
- Push starter button on the switch box to crank engine. As you crank the engine, move choke knob to FULL choke position.
- When engine starts, release starter button, and move choke gradually to OFF. If engine falters, move choke immediately to FULL and then gradually to OFF again.
- When disconnecting the power cord, always unplug from the three-prong receptacle first, and then from the snow thrower.

Recoil Starter

- Rotate choke knob to FULL choke position (cold engine start).
- If engine is warm, place choke in OFF position instead of FULL.
- Push primer button two or three times for cold engine start.
- If engine is warm, push primer button only once.

NOTE: Always cover vent hole in primer button when pushing. Additional priming may be necessary for first start if temperature is below 15 degrees Fahrenheit.

- Grasp starter handle and pull rope out slowly, until it pulls slightly harder.
- Pull starter handle rapidly. Do not allow handle to snap back. Allow it to rewind slowly while keeping a firm hold on the starter handle.
- As the engine warms up and begins to operate evenly, rotate choke knob slowly to OFF position. If engine falters, return to FULL choke, then slowly move to OFF position.

To Stop Engine

- To stop engine, remove the ignition key. Do not turn key. Disconnect the spark plug wire from the spark plug to prevent accidental starting while equipment is unattended.

To help prevent possible freeze-up of starter, proceed as follows:

- Run engine for a few minutes before stopping to help dry off any moisture on the engine.
- **Electric Starter:** Connect power cord to switch box on engine, then to 120 volt AC receptacle. With the engine running, push the starter button and spin the starter for several seconds. The unusual sound made by spinning the starter will not harm the engine or starter. Disconnect the power cord from receptacle first, and then from switch box.
- **Recoil Starter:** With engine running, pull starter rope with a rapid, continuous full arm stroke three or four times. Pulling the starter rope will produce a loud clattering sound, which is not harmful to the engine or starter.
- Wipe all snow and moisture from the carburetor cover in the area of the control levers. Also, move control levers back and forth several times. Leave throttle control lever in the STOP or OFF position. Rotate the choke control in the FULL choke position.
- Remove the safety ignition key and disconnect the spark plug wire. Do not turn key.

IMPORTANT: Do not lose the safety ignition key. Keep it in a safe place. The engine will not start without it.

To Engage Wheel Drive

- With the engine running near top speed, move the shift lever into one of the six forward positions or two reverse positions. Select a speed appropriate for the snow conditions that exist.

NOTE: Use the slower speeds until you are familiar with the operation of the snow thrower.

- Squeeze the traction control against the right handle and the snow thrower will move. Release it and the drive motion will stop.

IMPORTANT: Never move the shift lever without first releasing the traction control. Doing so will cause premature wear to drive system's friction wheel rubber.

To Engage Augers

To engage the augers and start snow throwing, squeeze the auger control against the left handle.

To disengage augers, release both the auger control and the traction control, if engaged.

NOTE: The auger control can also be locked so that you can turn the chute directional control without interrupting snow throwing. Refer to page 8 for details.

Operating Tips

NOTE: Allow the engine to warm up for a few minutes. The engine will not develop full power until it reaches operating temperature.



WARNING: The temperature of the muffler and the surrounding areas may exceed 150°F. Avoid these areas.

- For the most efficient snow removal, remove snow immediately after it falls.
- Discharge snow downwind whenever possible.
- Slightly overlap each previous cleaning path.

- Set the skid shoes 1/4" below the shave plate for normal usage. The skid shoes may be adjusted upward (to lower the shave plate) for hard-packed snow. Adjust downward (to raise the shave plate) when using on gravel or crushed rock.
- Prevent possible freeze-up of the starter by following the steps described earlier on page 10.
- Clean the snow thrower thoroughly after each use.

SECTION 5: MAKING ADJUSTMENTS



WARNING: NEVER attempt to clean chute or make any adjustments while engine is running.

Traction Control

Refer to Final Adjustments on page 6 to adjust traction control. If it is necessary to check further for correct adjustment, proceed as follows:



WARNING: Drain the gasoline out of your snow thrower's engine, and place a piece of plastic film under the gas cap to avoid spillage before beginning the job.

- Tip the snow thrower forward, allowing it to rest on the auger housing.
- Remove the frame cover underneath the snow thrower by removing six self-tapping screws.
- With the traction control released, make sure there is clearance between the friction wheel and the drive plate in all positions of the shift lever.
- With the traction control lever engaged, make sure the friction wheel solidly contacts the drive plate. Refer to Figure 11.

If adjustment is necessary, adjust traction control as instructed below:

- Loosen the jam nut on the traction drive cable and thread the cable in or out as necessary. Refer to Figure 7.
- Retighten the jam nut to secure the cable when correct adjustment is reached.
- Reassemble the frame cover.

NOTE: If you placed plastic film under the gas cap, be certain to remove it before operating the snow thrower.

Shift Rod

To adjust the shift rod, proceed as follows.

- Remove the hairpin clip and flat washer from the shift handle under the handle panel.

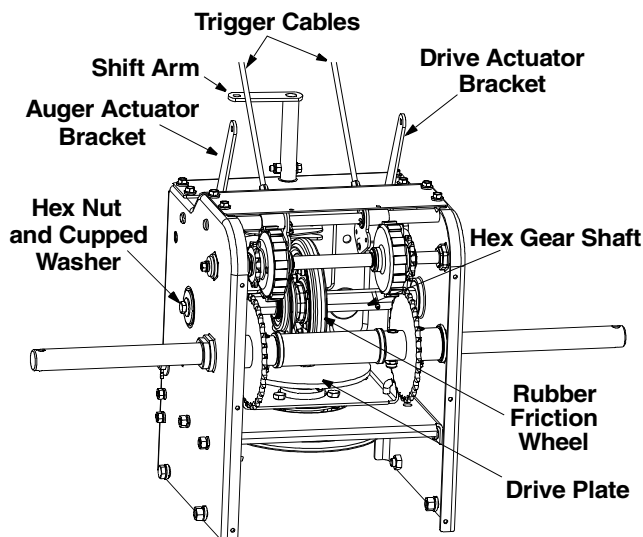


Figure 11

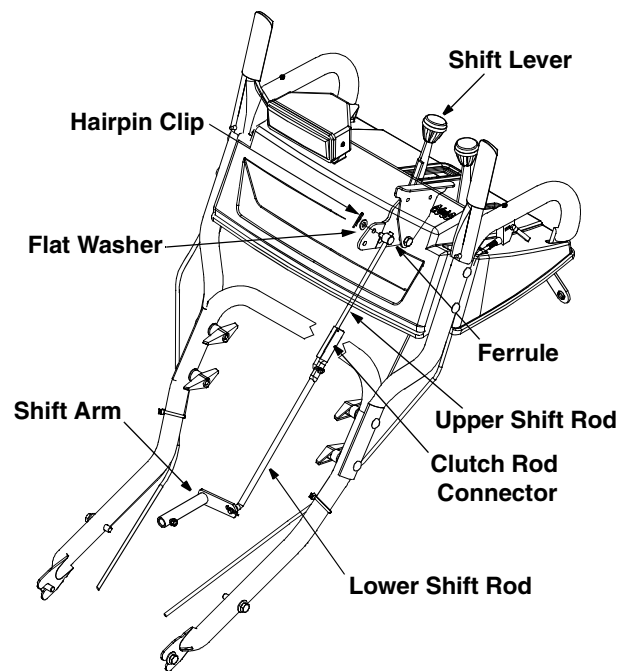


Figure 12

- Place shift lever in sixth (6) position or fastest forward speed.
- Push shift arm assembly down as far as it will go.

- Rotate the ferrule up or down on the shift rod as necessary until the ferrule lines up with the upper hole in the shift lever. Refer to Figure 12.
- Insert ferrule from the left side of the snow thrower into the upper hole.
- Reinstall the hairpin clip and the washer.

IMPORTANT: Make certain to check for correct adjustment before operating the snow thrower. Check for correct adjustment of the shift rod as instructed on page 6, before operating the snow thrower.

Auger Control

Refer to details on page 6 to adjust the auger control.

Chute Assembly

The distance snow is thrown can be adjusted by adjusting the angle of the chute assembly. Refer to the "Know Your Snow Thrower" section on page 7.

The remote chute control cables have been pre-adjusted at the factory. Move the remote chute lever on the control panel back and forward to adjust angle of the chute assembly.

Skid Shoe

The space between shave plate and ground can be adjusted by raising or lowering the skid shoes. Refer to Skid Shoe Adjustment on page 7.

SECTION 6: MAINTAINING YOUR SNOW THROWER



WARNING: Before lubricating, repairing, or inspecting, disengage all clutch levers and stop engine. Wait until all moving parts have come to a complete stop. Disconnect the spark plug wire and ground it against the engine to prevent unintended starting.

General Recommendations

- Always observe safety rules when performing any maintenance.
- The warranty on this snow thrower does not cover items that have been subjected to operator abuse or negligence. To receive full value from the warranty, operator must maintain the snow thrower as instructed in this manual.
- Some adjustments will have to be made periodically to maintain your unit properly.
- All adjustments in the service and adjustments sections of this manual should be checked at least once each season.
- Follow the maintenance schedule given below.
- Periodically check all fasteners and hardware to make sure these are tight.

Carburetor



WARNING: If any adjustments are made to the engine while the engine is running (e.g. carburetor), keep clear of all moving parts. Be careful of heated surfaces and mufflers.

Minor carburetor adjustments may be required to compensate for differences in fuel temperature, altitude and load. Refer to the engine manual for instructions.

Lubrication

Gear Shaft

Lubricate the gear shaft with 6-in-1 grease (part number 737-0170) at least once a season, or after every 25 hours of operation. Refer to Figure 11.

IMPORTANT: Keep all grease and oil off the rubber friction wheel and drive plate.

Engine

Refer to the separate engine manual packed with your unit for all engine lubrication instructions.

Auger Shaft

- At least once a season, remove the shear bolts from the auger shaft and spray lubricant inside the shaft. Refer to Figure 13.

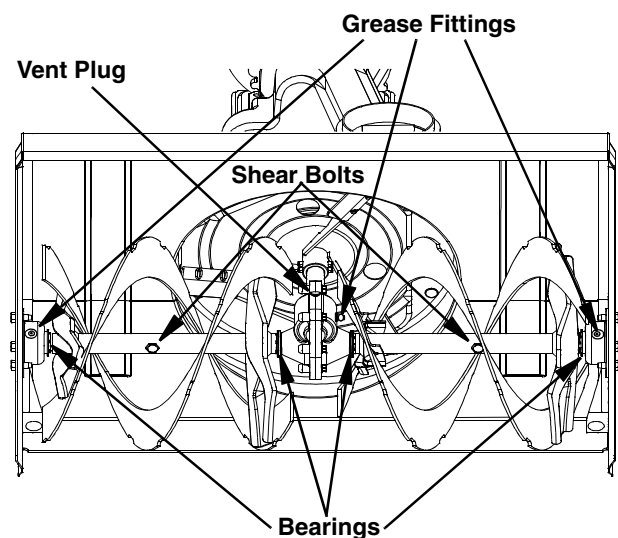
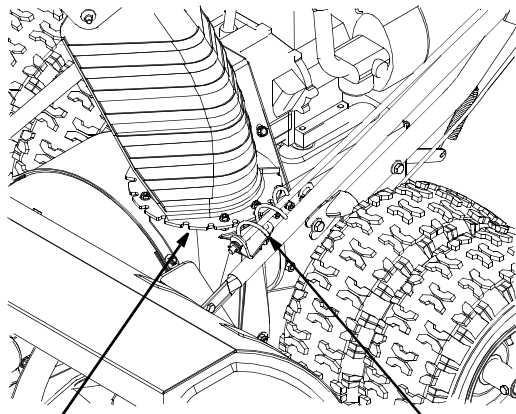


Figure 13



Lube Under Chute Base Chute Crank Spirals

Figure 14

Discharge Chute

The base of the discharge chute and the spirals on the chute crank should be lubricated at least every 25 hours of use. When applying the lubrication, apply the lubricant as shown in Figure 14 to the point under the base of the chute and where the spirals contact the discharge chute.

Drive and Shifting Mechanism

At least once a season or after every 25 hours of operation, remove rear cover. Lubricate any chains, sprockets, gears, bearings, shafts, and the shifting mechanism at least once a season. Refer to Figure 11. Use engine oil or a spray lubricant. Avoid getting oil on rubber friction wheel and aluminum drive plate.

Gear Case

The gear case is lubricated with grease at the factory and does not require initial checking. If disassembled for any reason, lubricate with two ounces of Shell Alvania™ grease EPR00, part number 737-0168. Before reassembling, remove old sealant and apply Loctite™ 5699 or equivalent.

To check the level of grease in the gear case, remove the vent plug as shown in Figure 13. If necessary, add grease using a grease gun and the grease fitting on the side of the gear case.

IMPORTANT: Do not overfill the gear case. Be sure the vent plug is free of grease in order to relieve pressure.

Auger Bearings and Shaft

Every season lubricate the auger bearings and the bearings on the side of the frame with light oil. Refer to Figure 13.

Use oil or spray lubricant into the bearings at the wheels at least once a season. Remove the wheels, one side at a time, and clean and coat axles with multi-purpose automotive grease.

Lubricate the auger shaft at least once a season. To do this:

- Remove the shear bolts on the auger shaft.
- Oil or spray lubricant inside shaft.
- Carefully spin the auger around by hand to disperse the lubricant.
- Reinstall the shear bolts.

Traction Control / Auger Control Lock

The cams on the ends of the control rods which interlock the traction drive and auger drive clutches must be lubricated at least once a season or every 25 hours of operation using a multi-purpose automotive grease. The cams can be accessed beneath the handle panel as shown in Figure 15.

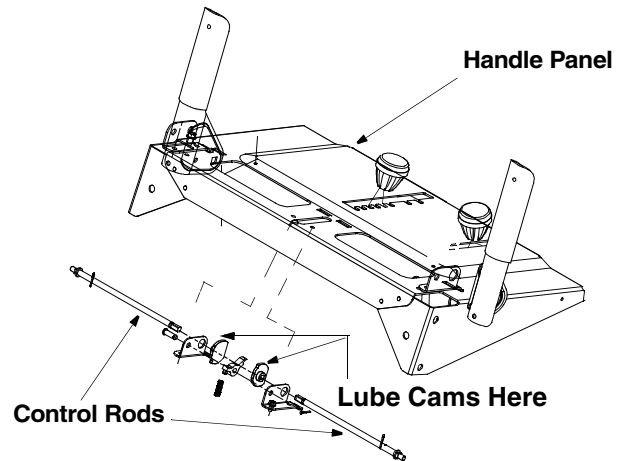


Figure 15

Check V-Belts

Follow the instructions below to check the condition of the drive belts every 50 hours of operation.

- Remove the plastic belt cover on the front of the engine by removing the three self-tapping screws.
- Visually inspect for frayed, cracked, or excessively worn out belts.
- Replace belts as necessary as outlined in Section 7.

Check Friction Wheel Rubber

Follow the instructions below to check the condition of the friction wheel rubber every 25 hours of operation.

- Remove the six self-tapping screws from the frame cover underneath the snow thrower.
- Visually inspect the friction wheel rubber for excessive wear, cracks, or loose fit on the friction wheel drive hub.
- Also engage the traction control and check if the friction wheel is making contact with the friction plate.
- If it does not make contact, adjust the traction drive cable following instructions and recheck the friction wheel.
- Replace friction wheel rubber if necessary. Refer to instructions in Section 7.

SECTION 7: SERVICING YOUR SNOW THROWER



WARNING: Before servicing, repairing, or inspecting, disengage all clutch levers and stop engine. Wait until all moving parts have come to a complete stop. Disconnect spark plug wire and ground it against the engine to prevent unintended starting.

Augers

The augers are secured to the spiral shaft with two shear bolts and hex lock nuts. See Figure 16. If you hit a foreign object or ice jam, the snow thrower is designed so that the bolts may shear.

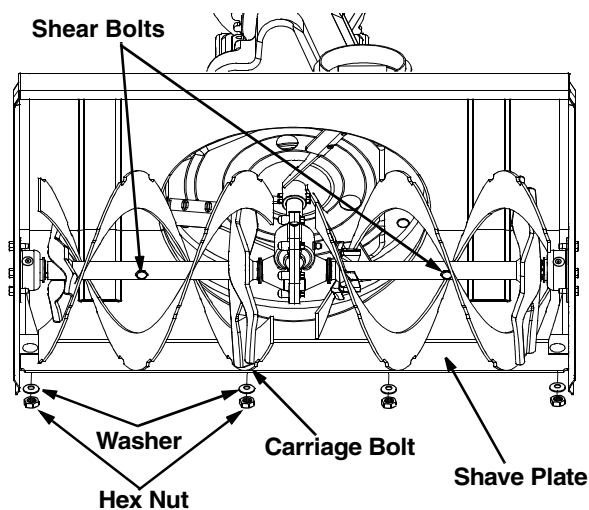


Figure 16

If the augers do not turn, check if the bolts have sheared. Two replacement shear bolts and hex lock nuts have been provided with the snow thrower. Refer to Loose Parts on page 5. For future use, order the parts numbers listed in Figure 1.

IMPORTANT: NEVER replace the auger shear bolts with standard hex bolts. Any damage to the auger gearbox or other components, as a result of doing so, will NOT be covered by your snow thrower's warranty.

Shave Plate and Skid Shoes

The shave plate and skid shoes on the bottom of the snow thrower are subject to wear. They should be checked periodically and replaced when necessary.

NOTE: The skid shoes on this machine have two wear edges. When one side wears out, they can be rotated 180° to use the other edge.

- Remove the six carriage bolts (three per side), belleville washers and hex nuts which attach slide shoes to the snow thrower on two sides. See Figure 8 on page 7.
- Reassemble new slide shoes with the hardware removed earlier (cupped side of belleville washer against the slide shoes). Make certain the slide shoes are adjusted to be level.
- To remove the shave plate, remove slide shoe as well as the carriage bolts, belleville washers and hex nuts which attach shave plate to the snow thrower housing. For location of shave plate and carriage bolts, see Figure 16.
- Reassemble the new shave plate, making sure heads of carriage bolts are to the inside of the housing.
- Reinstall the skid shoes and tighten securely.

Replacing Belts

To remove and replace either the auger belt or the drive belt, follow the steps below and then proceed to the specific steps listed under respective sub-headings.

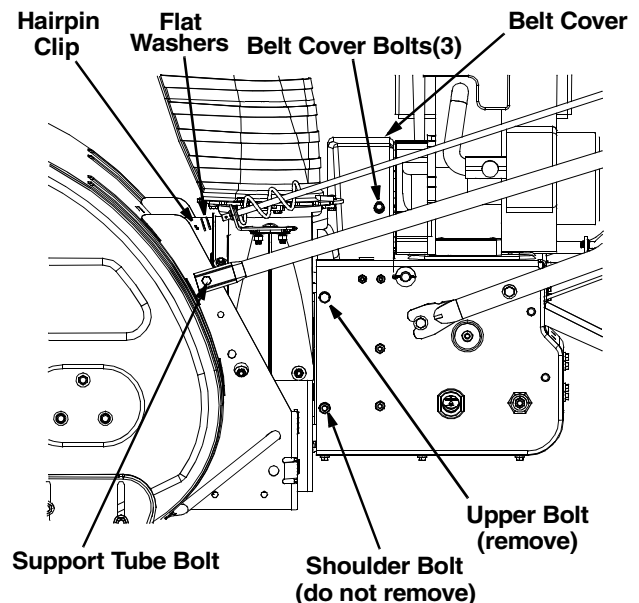


Figure 17

- Disconnect the chute crank assembly at the discharge chute end by removing the hairpin clip and the two flat washers.
- Remove the plastic belt cover, located near the engine, by removing the three self-tapping screws and flat washers that secure it. Refer to Figure 17.
- Remove the large shoulder bolt and washer on the left hand side of the engine pulley. Refer to Figure 18.

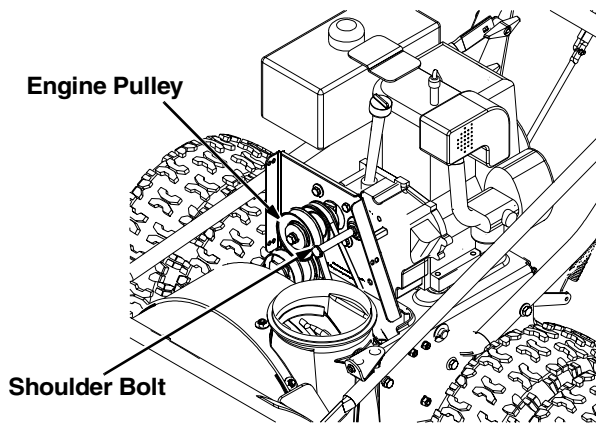


Figure 18

Auger Belt

- Remove the cotter pin and washer from the ferrule in order to disconnect the auger idler rod from the brake bracket assembly as shown in Figure 19.
- Slip the auger control belt (the front belt) off the engine pulley. See Figure 19.
- Pull the brake bracket assembly towards the cable guide roller and unhook the auger cable "Z" fitting.
- Remove the upper bolts and lock washers which attach the auger housing assembly to the frame assembly using a 9/16" wrench. Refer to Figure 17.

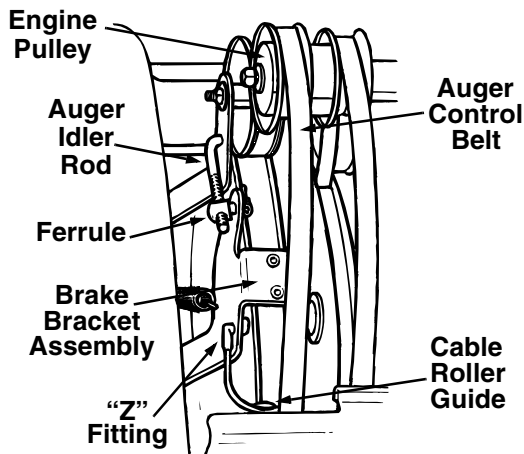


Figure 19

- Separate the auger housing from the frame assembly by tilting the housing forward and pulling up the handles.

- Using a 1/2" wrench, remove the hex screw and belleville washer from the center of the pulley on the auger housing. Lift the brake bracket assembly out of the pulley groove and remove the pulley. See Figure 20. Be careful not to lose the key.
- Remove and replace auger belt inside belt keepers.
- Reassemble pulley to auger housing with hex screw and belleville washer (cupped side toward the pulley). Make sure key is in place on shaft and brake puck is seated in the pulley groove.
- Reassemble the belt cover and chute directional control.

Proper Adjustment: With the auger clutch lever in the disengaged position the top surface of the new belt should be even with the outside diameter of the pulley.

- To adjust, disconnect ferrule from brake bracket assembly and thread ferrule in (towards idler) to increase tension on belt, and out to decrease tension.

NOTE: The brake puck must always be firmly seated in the pulley groove when the auger control is in the disengaged position.

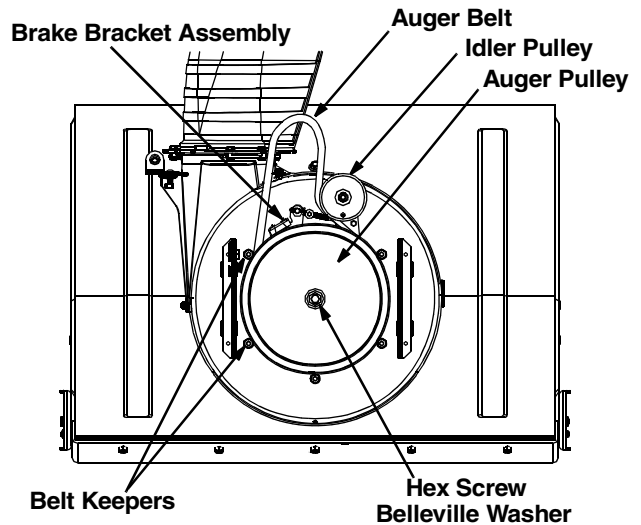


Figure 20

Drive Belt

- Unhook the extension spring from the belt cover plate. See Figure 21.
- Remove drive belt from the engine pulley and bottom drive pulley. Refer to Figure 21.
- Replace belt and reassemble in reverse order.
- Reassemble the two halves of the unit hooking the lower portion of the auger housing over the stationary shoulder bolts in the frame assembly.
- Secure the two halves with the two bolts and lock washers removed earlier. Refer to Figure 17.

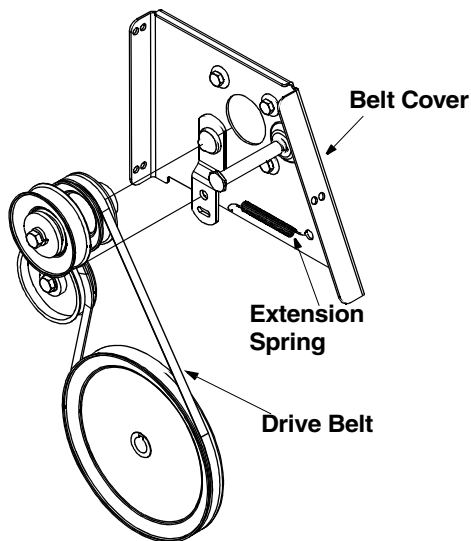


Figure 21

- Attach the “Z” fitting of the cable into the brake bracket assembly. Refer to Figure 19.
- Slip the auger control belt over engine pulley.
- Insert ferrule on auger idler rod into bracket assembly and secure with flat washer and cotter pin. Reassemble the large shoulder bolt and lock washer as shown in Figure 18.
- Reassemble belt cover and chute crank. Changing Friction Wheel Rubber

The rubber on the friction wheel is subject to wear and should be checked after the first 25 hours of operation, and periodically thereafter. Replace the friction wheel rubber if any signs of wear or cracking are found.

- Drain the gasoline from the snow thrower, or place a piece of plastic under the gas cap.
- Tip the snow thrower up and forward, so that it rests on the housing.
- Remove six screws from the frame cover underneath the snow thrower. Refer to Figure 22.
- Remove the left wheel from the axle.
- Using a 7/8” wrench, hold the hex shaft and remove the hex bolt, cupped washer and bearing from left side of the frame. Refer to Figure 23.

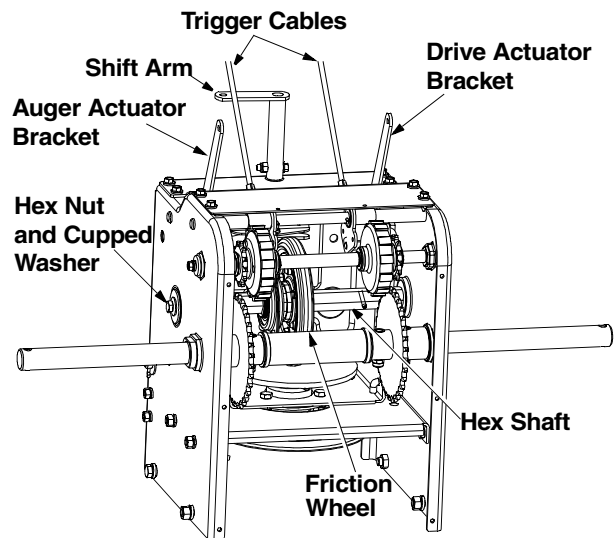


Figure 22

- Holding the friction wheel assembly as shown in Figure 23, slide the hex shaft out of the left side of the unit. The spacer on the right side of the hex shaft will fall and the sprocket should remain hanging loose in the chain.
- Lift the friction wheel assembly out between the axle shaft and the drive shaft assemblies.

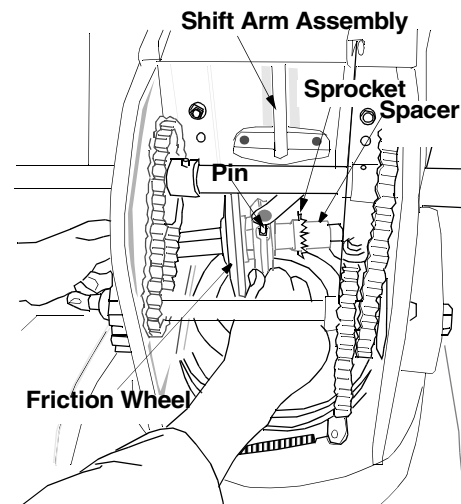


Figure 23

- Remove the six screws from both sides of the friction wheel assembly. Remove friction wheel rubber from between the friction wheel plate as shown in Figure 24.

- Reassemble the new friction wheel rubber to the friction wheel assembly, tightening the six screws in rotation and with equal force. It is important to assemble the rubber on the friction wheel symmetrically for proper functioning.

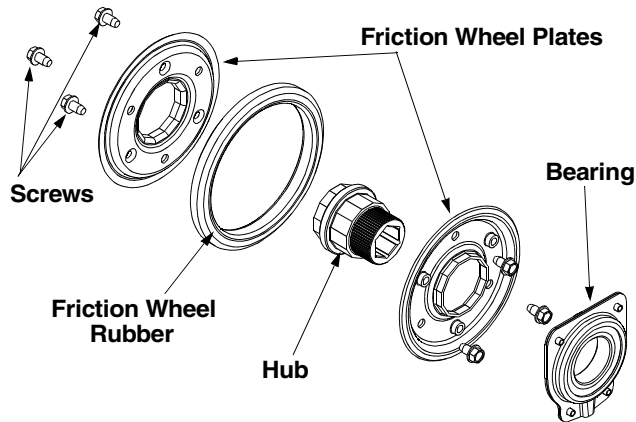


Figure 24

- Insert the pin from the shift arm assembly into the friction wheel assembly and hold assembly in position. Refer to Figure 23.
- Slide the hex shaft through the left side of the housing and through the friction wheel assembly.
- Insert the hex shaft through the sprocket and the spacer. Make certain that the chain engages both the large and the small sprocket.

NOTE: If the sprocket fell from the snow thrower while removing the hex shaft, place the sprocket on the hex shaft. Position the hex hub of the sprocket toward the friction wheel when sliding the sprocket on to the hex shaft as shown in Figure 25.

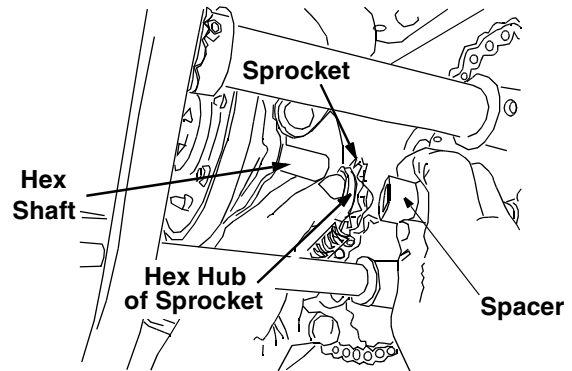


Figure 25

- Secure with the bell washer and hex bolt removed earlier.
- Secure the frame cover with six self-tapping screws. Put the snow thrower down to its normal operating position.

NOTE: If you placed plastic film under the gas cap, be certain to remove it.

Engine

Refer to separate engine manual for all engine maintenance procedures.

SECTION 8: OFF-SEASON STORAGE



WARNING: Never store engine with fuel in tank indoors or in poorly ventilated areas, where fuel fumes may reach an open flame, spark or pilot light as on a furnace, water heater, clothes dryer or other gas appliance.

- If unit is to be stored over 30 days, prepare engine for storage as instructed in the engine manual.
- Remove all debris from the exterior of equipment.

- Follow lubrication recommendations on page 12.
- Always store the snow thrower in a clean, dry area.

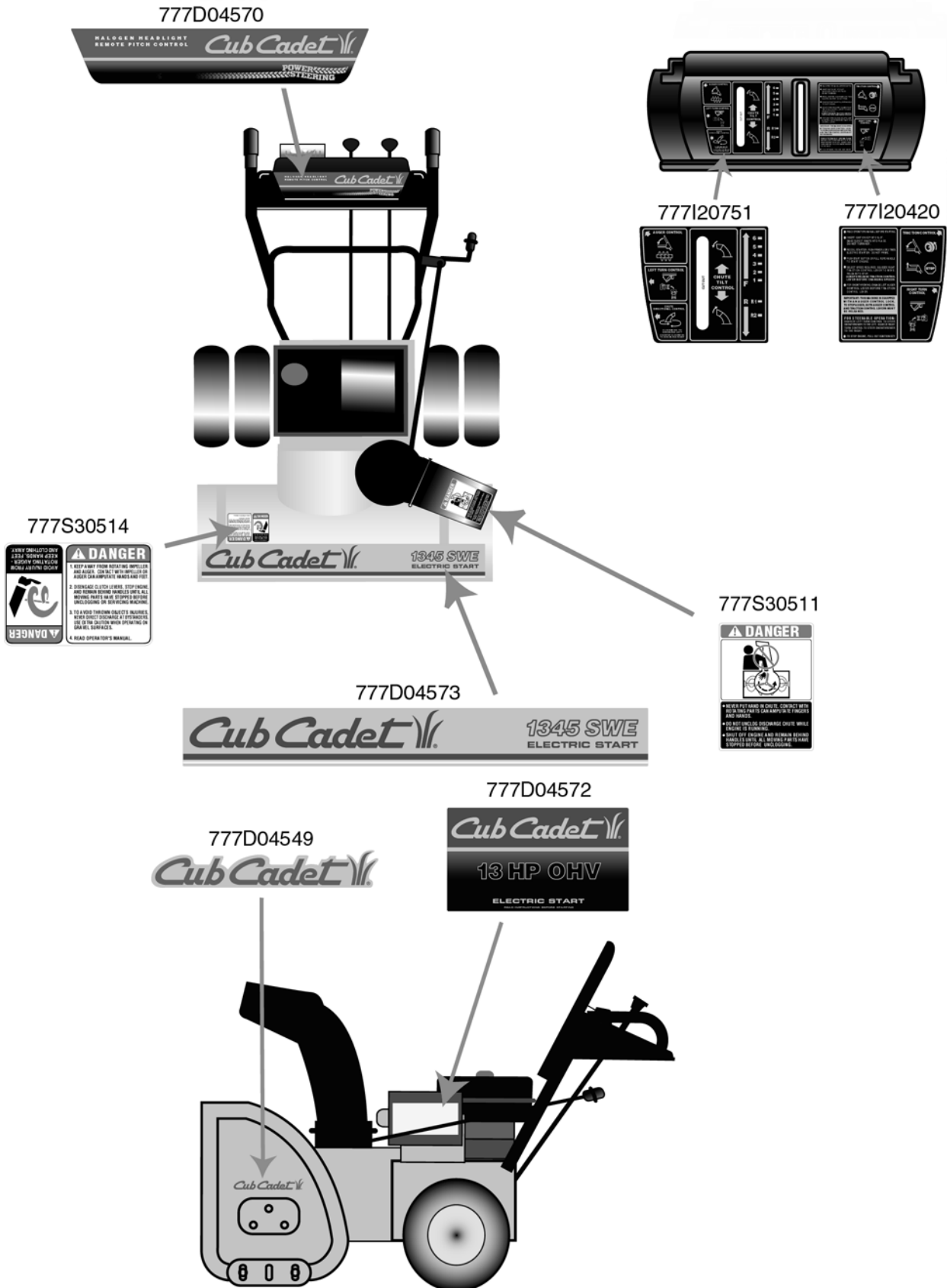
NOTE: When storing any type of power equipment in an unventilated or metal storage shed, care should be taken to rust proof the equipment. Using a light oil or silicone, coat the equipment, especially any chains, springs, bearings and cables.

SECTION 9: TROUBLESHOOTING

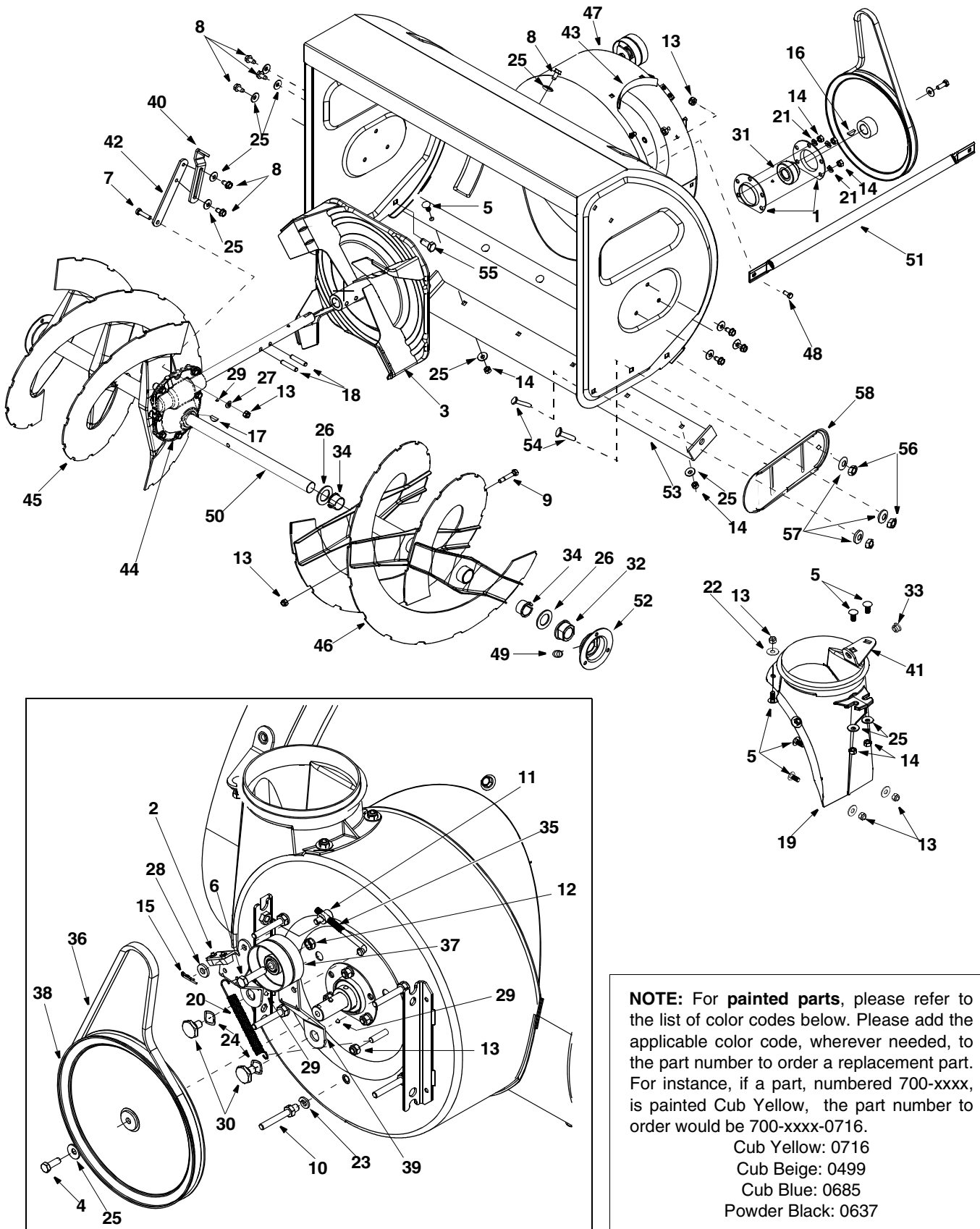
Problem	Cause	Remedy
Engine fails to start.	<ol style="list-style-type: none"> 1. Fuel tank empty, or stale fuel. 2. Blocked fuel line. 3. Choke not in ON position 4. Faulty spark plug. 5. Safety key not in ignition switch on engine. 6. Spark plug wire disconnected. 7. Primer button not being used properly. 	<ol style="list-style-type: none"> 1. Fill tank with fresh gasoline. 2. Clean the fuel line. 3. Move switch to ON position 4. Clean, adjust gap or replace. 5. Insert the key fully into the switch. 6. Connect spark plug wire. 7. Refer to the engine manual.
Engine runs erratic.	<ol style="list-style-type: none"> 1. Unit running on CHOKE. 2. Blocked fuel line or stale fuel. 3. Water or dirt in fuel system. 4. Carburetor out of adjustment. 	<ol style="list-style-type: none"> 1. Move choke lever to OFF position. 2. Clean fuel line and fill tank with clean, fresh gasoline. 3. Drain fuel tank and carburetor. Refill with fresh fuel. 4. Refer to the engine manual.
Loss of power.	<ol style="list-style-type: none"> 1. Spark plug wire loose. 2. Gas cap vent hole plugged. 3. Exhaust port plugged. 	<ol style="list-style-type: none"> 1. Connect and tighten spark plug wire. 2. Remove ice and snow from gas cap. Be certain vent hole is clear. 3. Refer to the engine manual.
Engine overheats.	<ol style="list-style-type: none"> 1. Carburetor not adjusted properly. 	<ol style="list-style-type: none"> 1. Refer to the engine manual or have the carburetor adjusted by an authorized engine service dealer.
Excessive vibration.	<ol style="list-style-type: none"> 1. Loose parts or damaged auger. 	<ol style="list-style-type: none"> 1. Stop engine immediately and disconnect spark plug wire. Tighten all bolts and nuts. If vibration continues, have unit serviced by an authorized service dealer.
Unit fails to propel itself.	<ol style="list-style-type: none"> 1. Traction control cable in need of adjustment. 2. Drive belt loose or damaged. 	<ol style="list-style-type: none"> 1. Adjust traction control cable. Refer to pages 6 and 11. 2. Replace drive belt. Refer to page 14.
Unit fails to discharge snow.	<ol style="list-style-type: none"> 1. Discharge chute clogged. 2. Foreign object lodged in auger. 3. Auger control cable in need of adjustment. 4. Auger belt loose or damaged. 5. Shear bolt(s) sheared. 	<ol style="list-style-type: none"> 1. Stop engine immediately and disconnect spark plug wire. Clean discharge chute and inside of auger housing. 2. Stop engine immediately and disconnect spark plug wire. Remove object from auger. 3. Refer to page 6 for adjustment instructions. 4. Refer to page 14. 5. Replace shear bolt(s).

NOTE: For repairs beyond the minor adjustments listed above, contact the local Cub Cadet dealer.

SECTION 10: PARTS LIST FOR MODEL 1345 SWE



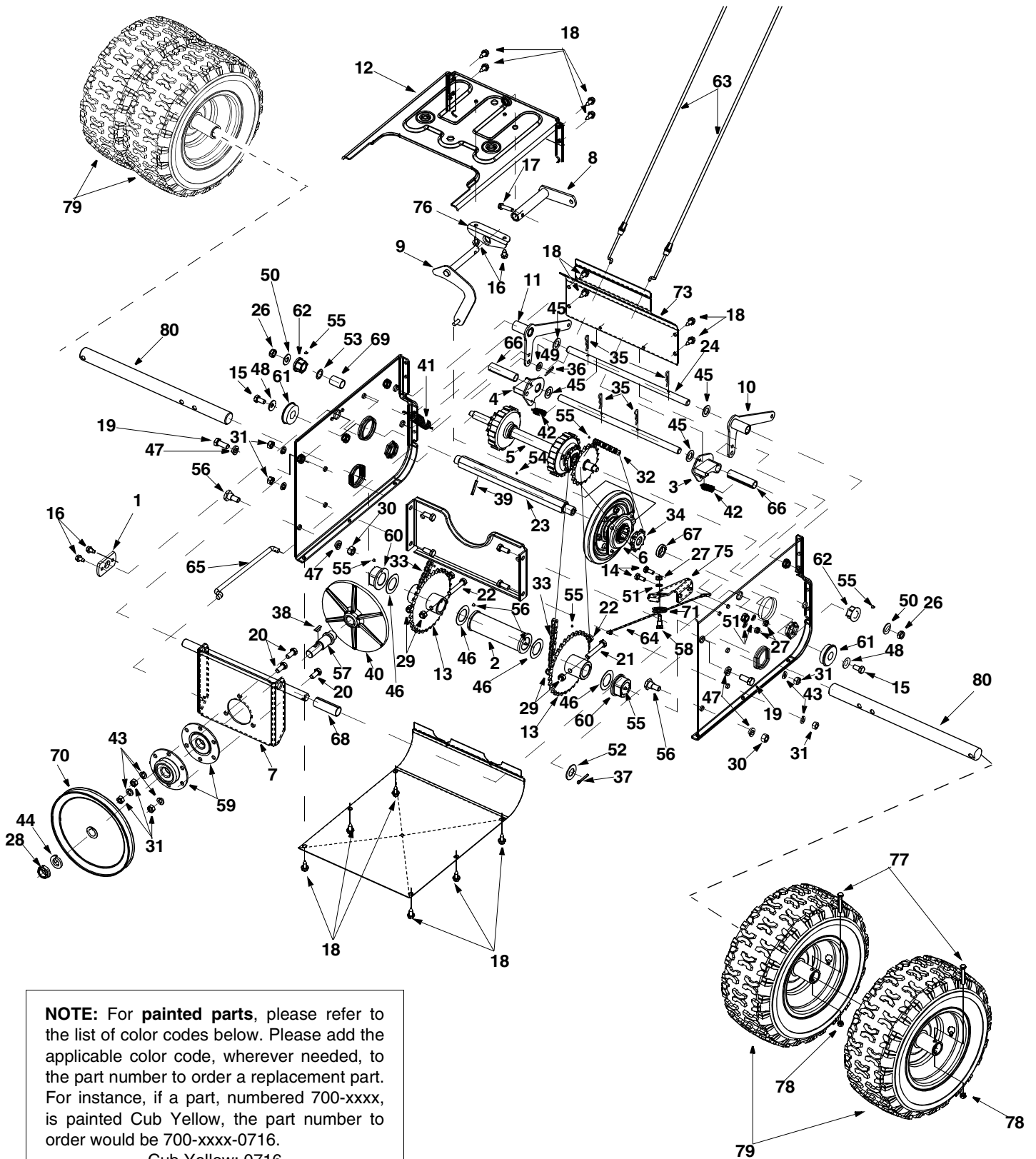
MODEL 1345 SWE



MODEL 1345 SWE

Ref. No.	Part No.	Part Description	Ref. No.	Part No.	Part Description
1.	05244A	Bearing Housing	31.	741-0185	Self-Aligning Bearing
2.	618-0281A	Bracket Assembly: Auger Break	32.	741-0192	Flange Bearing w/ Flats
3.	684-0090A	Impeller Assembly: 16"	33.	741-0475	Plastic Bushing
4.	710-0371	Hex Lock Bolt 5/16-18 x .875"	34.	741-0494	Flange Bushing
5.	710-0451	Carriage Bolt 5/16-18 x .750"	35.	747-0980	Idler Rod: Auger
6.	710-0459A	Hex Screw, Special 3/8-24 x 1.5"	36.	754-0222	V-Belt
7.	710-0528	Hex Screw 5/16-18 x 1.25"	37.	756-0178	Flat Idler
8.	710-0604	Self-Tapp. Screw 5/16-18 x .625"	38.	756-0243	Pulley
9.	710-0891	Shear Bolt 5/16-18 x 1.75"	39.	784-0385A	Idler Bracket: Auger
10.	711-0640	Stud	40.	784-5076	Support Bracket
11.	711-0677	Ferrule	41.	784-5123	Chute Crank Bracket
12.	712-0116	Jam Nut 3/8-24	42.	784-5710	Support Plate
13.	712-0429	Hex Lock Nut 5/16-18	43.	784-5711	Chute Bracket
14.	712-3010	Hex Nut 5/16-18	44.	618-0436	Gear Assembly: Auger w/ Grease Fitting
15.	714-0104	Hairpin Clip	45.	684-0072	Spiral Assembly RH
16.	714-0126	Key	46.	684-0073	Spiral Assembly LH
17.	714-0135	Key	47.	684-0155	Auger Housing Assembly
18.	715-0118	Spiral Pin	48.	710-3008	Hex Screw 5/16-18 x .75"
19.	731-1696	Chute Adapter	49.	737-3000	Lube Fitting
20.	732-0858	Extension Spring	50.	738-0492	Spiral Axle
21.	736-0119	Lock Washer	51.	749-1117	Support Tube
22.	736-0159	5/16 Washer	52.	784-0315	Bearing Housing
23.	736-0169	Lock Washer	53.	784-5696	Shave Plate
24.	736-0174	Wave Washer	54.	710-0389	Carriage Screw
25.	736-0242	Beleville Washer	55.	710-3168	Carriage Bolt
26.	736-0250	Flat Washer	56.	712-0798	Hex Nut 3/8-16
27.	736-0271	Spring Washer	57.	736-0105	Bell Washer
28.	736-3008	Flat Washer	58.	784-5697	Slide Shoe
29.	737-3007	Grease			
30.	738-0281	Shoulder Screw			

MODEL 1345 SWE



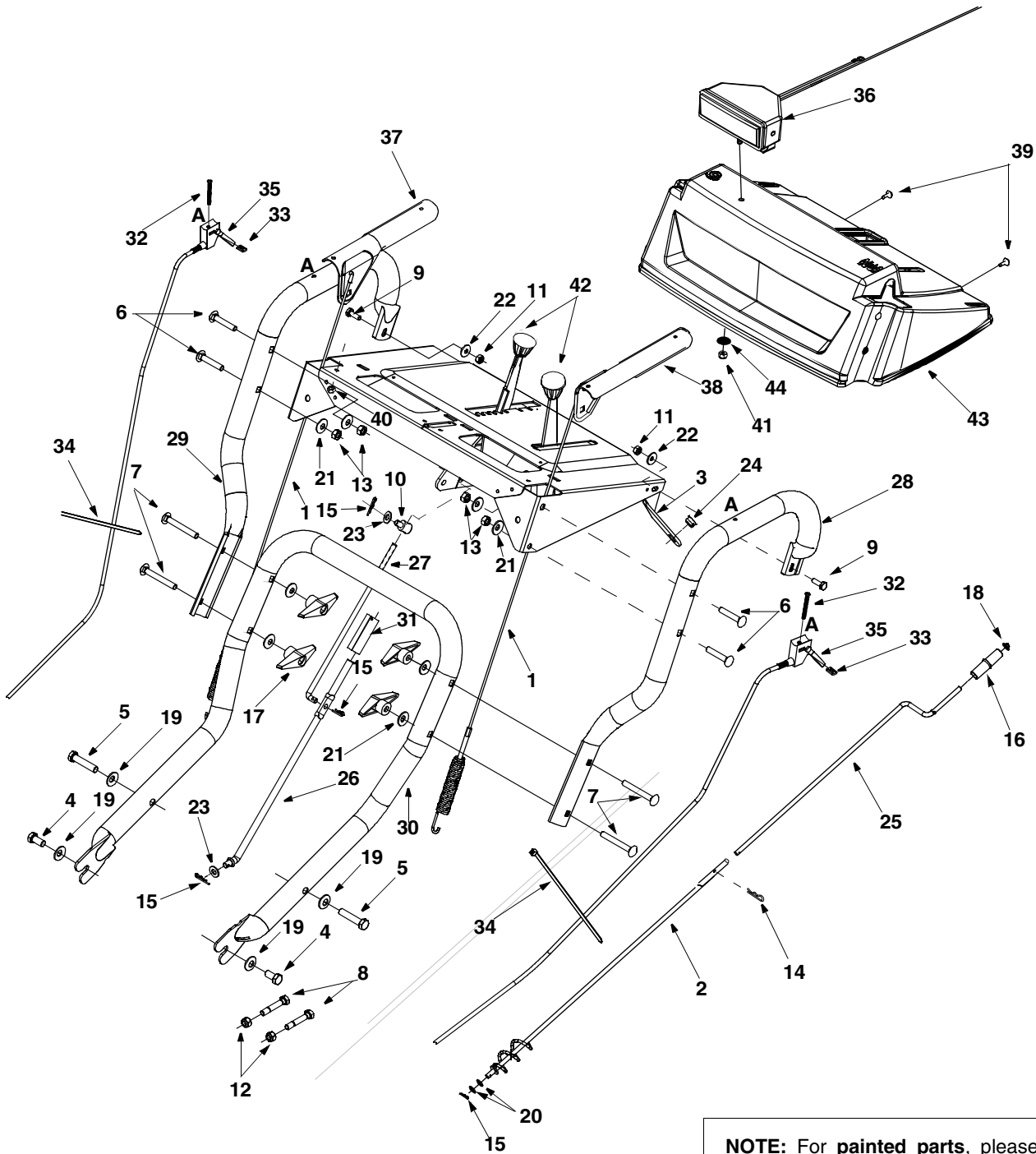
NOTE: For **painted parts**, please refer to the list of color codes below. Please add the applicable color code, wherever needed, to the part number to order a replacement part. For instance, if a part, numbered 700-xxxx, is painted Cub Yellow, the part number to order would be 700-xxxx-0716.

- Cub Yellow: 0716
- Cub Beige: 0499
- Cub Blue: 0685
- Powder Black: 0637

MODEL 1345 SWE

Ref. No.	Part No.	Part Description	Ref. No.	Part No.	Part Description
1.	05523	Support Bracket: Pivot	41.	732-0121	Extension Spring
2.	618-0278	Bush Assembly	42.	732-0209	Extension Spring
3.	618-0279	Dogg Assembly LH	43.	736-0119	Lock Washer 5/16
4.	618-0280	Dogg Assembly RH	44.	736-0158	Lock Washer 5/8
5.	618-0282B	Shift Assembly	45.	736-0160	Flat Washer
6.	618-0296	Wheel Bearing Assembly	46.	736-0163	Flat Washer
7.	684-0115	Support Bracket Assembly	47.	736-0217	Lock Washer
8.	684-0116	Shift Arm Assembly	48.	736-0242	Beleville Washer
9.	684-0117	Shift Rod Assembly	49.	736-0275	Flat Washer
10.	684-0118	Auger Actuator Bracket Assy.	50.	736-0300	Flat Washer
11.	684-0119	Drive Actuator Bracket Assy.	51.	736-0329	Lock Washer
12.	684-0120	Frame Assembly	52.	736-0623	Flat Washer
13.	684-0122	Sprocket Assembly	53.	736-0639	Flat Washer
14.	710-0195	Hex Screw 1/4-28 x .625"	54.	737-0170	Lubricant
15.	710-0538	Hex Screw 5/16-18 x .625"	55.	737-3007	Grease
16.	710-0599	TT Screw 1/4-20 x .5"	56.	738-0143	Shoulder Screw
17.	710-0788	TT Screw 1/4-20 x 1"	57.	738-0279	Spindle: Drive Plate
18.	710-1652	TT Screw 1/4-20 x .625"	58.	738-0924	Shoulder Screw 1/4-28 x .375"
19.	710-3001	Hex Screw 3/8-16 x .880"	59.	741-0163A	Bearing Housing Assembly
20.	710-3008	Hex Screw 5/16-18 x .75"	60.	741-0192	Flange Bearing
21.	710-3103	Hex Screw 5/16-18 x 2"	61.	741-0563	Ball Bearing
22.	710-3180	Hex Screw 5/16-18 x 1.75"	62.	741-1111	Hex Flange Bearing
23.	711-1191	Hex Shaft: Drive	63.	746-0949	Steer Cable
24.	711-1193	Actuator Shaft	64.	746-0951	Idler Cable: Auger
25.	711-1194	Actuator Drive Shaft	65.	747-0973	Clutch Rod: Drive
26.	712-0116	Lock Nut	66.	750-0903	Split Spacer
27.	712-0138	Hex Nut 1/4-28	67.	750-0997	Spacer
28.	712-0221	Jam Lock Nut	68.	750-1097	Split Spacer
29.	712-0429	Hex Lock Nut	69.	750-1196	Spacer
30.	712-0798	Hex Nut 3/8-16	70.	756-0344	Drive Pulley
31.	712-3010	Hex Nut 5/16-18	71.	756-0625	Roller Cable
32.	713-0284	Chain	72.	784-0377	Frame Support Bracket
33.	713-0286	Chain	73.	784-0379	Frame Cover: Upper
34.	713-0413	Sprocket	74.	784-0380	Frame Cover: Lower
35.	714-0101	Hairpin Clip	75.	784-0384	Auger Cable Bracket
36.	714-0104	Hairpin Clip	76.	784-5590	Bracket: Shift — Frame
37.	714-0115	Cotter Pin	77.	710-3103	Hex Screw 5/16-18 x 2"
38.	714-0388	Key	78.	712-0429	Lock Nut
39.	715-0249	Roll Pin	79.	734-1593	Wheel
40.	717-0302	Drive Plate	80.	738-1137	Axle: Wheel

MODEL 1345 SWE



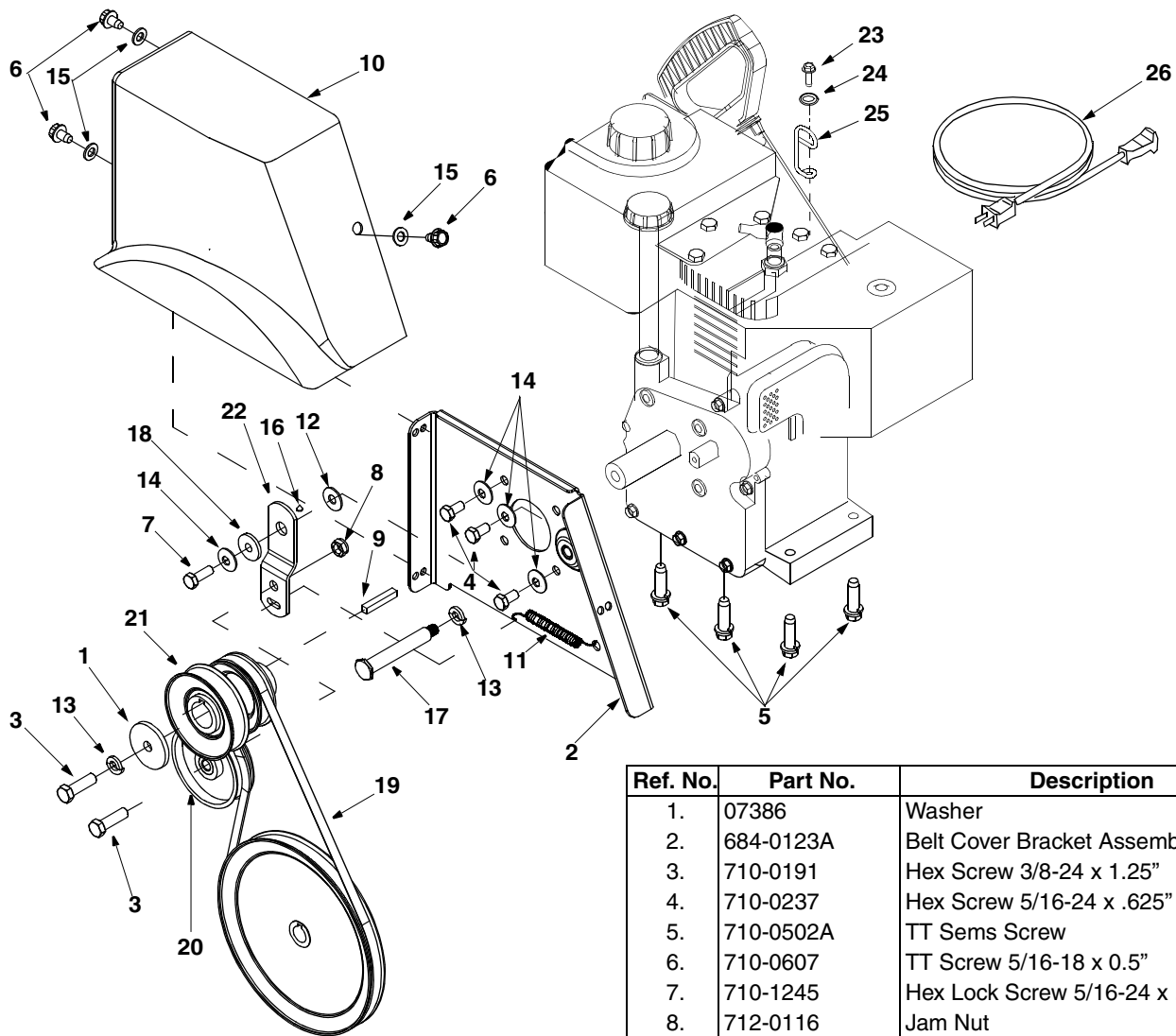
NOTE: For **painted parts**, please refer to the list of color codes below. Please add the applicable color code, wherever needed, to the part number to order a replacement part. For instance, if a part, numbered 700-xxxx, is painted Cub Yellow, the part number to order would be 700-xxxx-0716.

- Cub Yellow: 0716
- Cub Beige: 0499
- Cub Blue: 0685
- Powder Black: 0637

MODEL 1345 SWE

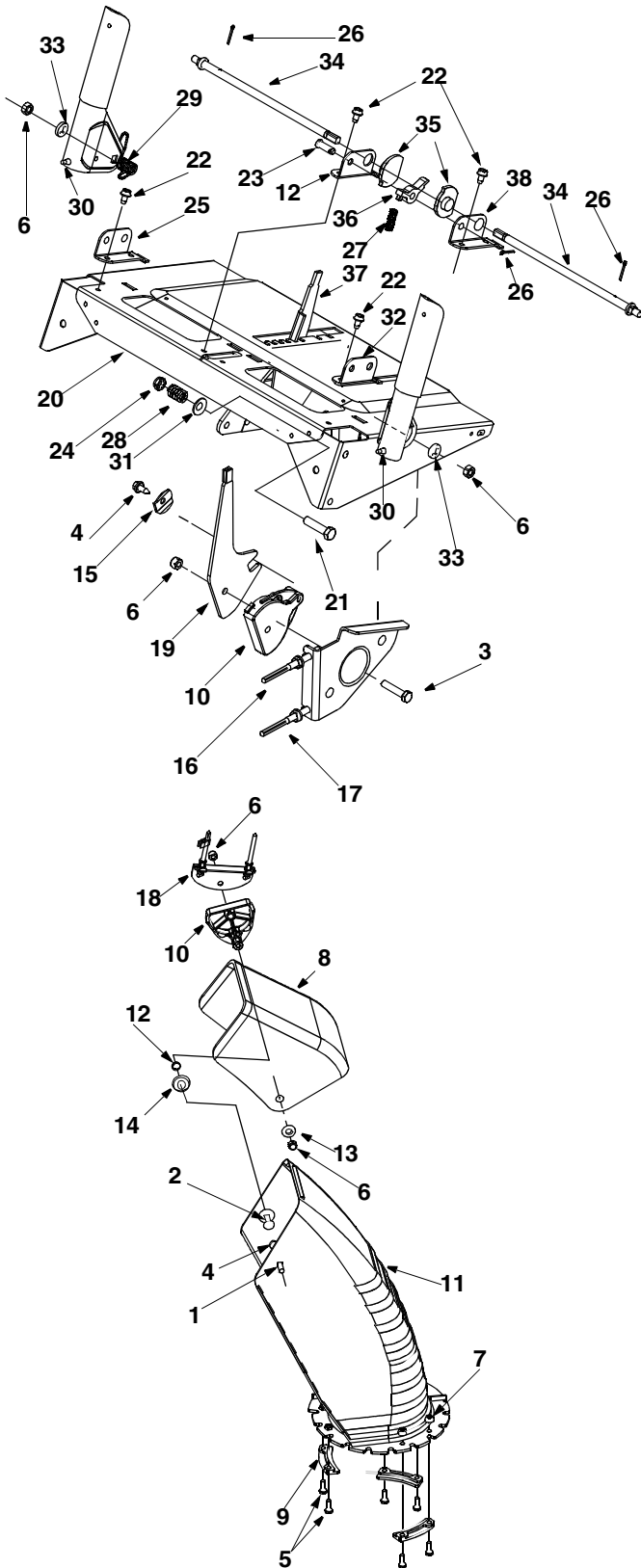
Ref. No.	Part No.	Part Description	Ref. No.	Part No.	Part Description
1.	646-0012	Cable Assembly: Auger/Drive Engagement	24.	741-0475	Plastic Bushing
2.	684-0053A	Chute Crank Assembly	25.	747-0624	Chute Crank
3.	705-5266	Chute Crank Bracket	26.	747-0983	Lower Shift Rod
4.	710-0216	Hex Screw 3/8-16 x .75"	27.	747-0997	Upper Shift Rod
5.	710-0347	Hex Screw 3/8-16 x 1.75"	28.	749-0989A	Upper Handle LH
6.	710-0458	Carriage Bolt 5/16-18 x 1.75"	29.	749-0990A	Upper Handle RH
7.	710-0572	Carriage Bolt 5/16-18 x 2.5"	30.	749-0991	Lower Handle
8.	710-0891	Shear Bolt 5/16-18 x 1.75"	31.	750-0963	Clutch Rod Connector
9.	710-3015	Hex Screw 1/4-20 x .75"	32.	710-1625	Oval C-Sunk Screw
10.	711-0677	Ferrule	33.	712-0127	Flat Weld Nut
11.	712-0287	Hex Nut 1/4-20	34.	725-0157	Cable Tie
12.	712-0429	Hex Lock Nut	35.	746-0950	Trigger Control
13.	712-3010	Hex Nut	36.	625-0007	Light Assembly
14.	714-0101	Hairpin Clip		725-1658	Halogen Lamp
15.	714-0104	Hairpin Clip		725-1672	Lens Assembly
16.	720-0201A	Chute Crank Knob	37.	705-5218	Handle Engagement RH
17.	720-0284	Knob	38.	705-5219	Handle Engagement LH
18.	726-0100	Push Cap	39.	710-1003	Special B Screw
19.	736-0105	Bell Washer	40.	712-0271	Hex Sems Nut
20.	736-0185	Flat Washer	41.	712-0429	Hex Lock Nut
21.	736-0242	Beleville Washer	42.	720-0232	Shift Knob
22.	736-0270	Bell Washer	43.	731-0061	Handle Panel
23.	736-0275	Flat Washer	44.	736-0159	5/16 Washer

MODEL 1345 SWE



Ref. No.	Part No.	Description
1.	07386	Washer
2.	684-0123A	Belt Cover Bracket Assembly
3.	710-0191	Hex Screw 3/8-24 x 1.25"
4.	710-0237	Hex Screw 5/16-24 x .625"
5.	710-0502A	TT Sems Screw
6.	710-0607	TT Screw 5/16-18 x 0.5"
7.	710-1245	Hex Lock Screw 5/16-24 x .875"
8.	712-0116	Jam Nut
9.	714-0118	Key
10.	731-0321	Belt Cover
11.	732-0303	Extension Spring
12.	736-0159	5/16 Washer
13.	736-0217	Lock Washer
14.	736-0242	Beleville Washer
15.	736-0264	Flat Washer
16.	737-3007	Grease
17.	738-0215A	Shoulder Screw
18.	748-0234	Shoulder Spacer
19.	754-0131	V-Belt
20.	756-0240	Flat Idler
21.	756-0241B	Double Pulley
22.	784-5726	Idler Bracket
23.	712-0324	Hex Lock Nut: 1/4-20
24.	732-0705	Cable Guide
25.	736-0173	Flat Washer
26.	629-0071	Extension Cord: 110V, 3-prong

MODEL 1345 SWE



Ref. No.	Part No.	Description
1.	710-0276	Carriage Screw
2.	710-0458	Carriage Bolt 5/16-18 x 1.75"
3.	710-0805	Hex Bolt 5/16-18 x 1.5"
4.	710-0896	Hex AB Screw 1/4-14 x .625"
5.	710-3015	Hex Screw 1/4-20 x .75"
6.	712-0429	Hex Lock Nut
7.	712-3027	Hex Flange Lock Nut
8.	731-0846C	Upper Chute
9.	731-0851A	Chute Flange Keeper
10.	731-1313C	Cable Guide: Chute Tilt
11.	731-0903D	Lower Chute
12.	784-5680	Handle Suppt. Bracket 5/8 RH
13.	736-0159	5/16 Washer
14.	736-0231	Flat Washer
15.	736-0506	Special Washer
16.	746-0902	Chute Control Cable
17.	746-0903	Chute Cable w/Clip
18.	784-5594	Cable Bracket
19.	784-5604	Chute Tilt Handle
20.	684-0102	Handle Panel Assembly w/ Tilt
21.	710-0459A	Hex Bolt 3/8-24 x 1.5"
22.	710-0599	TT Screw 1/4-20 x 0.5"
23.	711-0653	Clevis Pin
24.	712-0116	Jam Nut
25.	784-5682	Handle Suppt. Bracket 3/8 RH
26.	714-0507	Cotter Pin
27.	732-0145	Spring
28.	732-0193	Spring
29.	732-0746	Torsion Spring
30.	735-0199A	Rubber Bumper
31.	736-0105	Bell Washer
32.	784-5681	Handle Suppt. Bracket 3/8 LH
33.	736-0509	Special Washer
34.	747-0877	Cam Rod
35.	748-0362	Cam: Handle Lock
36.	748-0363	Pawl: Handle Lock
37.	784-5619A	Shift Handle
38.	784-5679	Handle Suppt. Bracket 5/8 LH

MANUFACTURER'S LIMITED WARRANTY FOR:



TWO-YEAR RESIDENTIAL ONE-YEAR COMMERCIAL

Proper maintenance of your Cub Cadet equipment is the owner's responsibility. Follow the instructions in your operator's manual for correct lubricants and maintenance schedule. Your Cub Cadet dealer carries a complete line of quality lubricants and filters for your equipment's engine, transmission, chassis and attachments.

Riding mowers, lawn tractors, garden tractors, Cub Cadet attachments and home maintenance products

This limited warranty for residential users, covers any defect in materials or workmanship in your Cub Cadet equipment for two years from the date of purchase for the first user purchaser. We will replace or repair any part or parts without charge through your authorized Cub Cadet dealer.

Batteries have a one-year prorated limited warranty with 100% replacement during the first three months.

V-belts for either the traction drive or any attachments are covered for one year only.

Cub Cadet equipment used commercially is warranted for one year only.

(Commercial use is defined as either having hired operators or used for income producing purposes.)

Items not covered

The warranty does not cover routine maintenance items such as lubricants, filters (oil, fuel, air and hydraulic), cleaning, tune-ups, brake and/or clutch inspection, adjustments made as part of normal maintenance, blade sharpening, set-up, abuse, accidents and normal wear. It does not cover incidental costs such as transporting your equipment to and from the dealer, telephone charges or renting a product temporarily to replace a warranted product.

There is no other express warranty.

How to obtain service

Contact your authorized Cub Cadet servicing dealer who sold you your Cub Cadet equipment. If this dealer is not available, see the Consumer Yellow Pages under "lawn mowers" for the name of a dealer near you.

If you need further assistance in finding an authorized Cub Cadet servicing dealer, contact:

**Cub Cadet Corporation
Post Office Box 368023
Cleveland, Ohio 44136**

How does state law apply?

This limited warranty gives you specific legal rights, and you may also have other rights which vary from state to state.

Free Manuals Download Website

<http://myh66.com>

<http://usermanuals.us>

<http://www.somanuals.com>

<http://www.4manuals.cc>

<http://www.manual-lib.com>

<http://www.404manual.com>

<http://www.luxmanual.com>

<http://aubethermostatmanual.com>

Golf course search by state

<http://golfingnear.com>

Email search by domain

<http://emailbydomain.com>

Auto manuals search

<http://auto.somanuals.com>

TV manuals search

<http://tv.somanuals.com>