

Cub Cadet

Owner's Manual

45" SNOW THROWER ATTACHMENT

NOTE: The following is required to assemble snow thrower to tractor.

ALL TRACTORS: FRONT PTO KIT Model 418 for 1100, 1200, 1250, 1450, and 1650 Tractors: Model 419 for 82 Series Tractors — 1980 to Present

ALL TRACTORS w/MANUAL LIFT: MANUAL LIFT HELPER SPRING KIT Model 420

982, 984, 986, 1912 and 1914 TRACTORS: HANGER BRACKET EXTENSION KIT Model 421

Important:

**Read Safety Rules and
Instructions Carefully**

Thank you for purchasing
an American-built product.

Model Number

364

CUB CADET CORPORATION • P.O. BOX 36930 • CLEVELAND, OHIO 44136

PRINTED IN U.S.A.

FORM NO. 772-3497
(R851106)





SAFE OPERATION PRACTICES

TRAINING

1. Read the owner's guide instruction manual carefully. Be thoroughly familiar with the controls and proper use of the equipment. Know how to stop the unit and disengage the controls quickly.
2. Never allow children to operate equipment. Never allow adults to operate equipment without proper instructions.
3. Keep the area of operation clear of all persons, especially small children and pets.
4. Exercise caution to avoid slipping or falling, when operating in reverse.

PREPARATION

1. Thoroughly inspect the area where the equipment is to be used and remove all door mats, sleds, boards, wires and other foreign objects.
2. Disengage all clutches and shift into neutral before starting engine.
3. Do not operate equipment without wearing adequate winter outer garments. Wear footwear which will improve footing on slippery surfaces.
4. Handle fuel with care. It is highly flammable.
 - (A) Use approved fuel container.
 - (B) Never add fuel to a running engine or hot engine.
 - (C) Fill fuel tank outdoors with extreme care. Never fill fuel tank indoors.
 - (D) Replace gasoline cap securely and wipe up spilled fuel.
5. Use a grounded three wire plug-in for all units with electric drive motors or electric starting motors.
6. Adjust collector housing height to clear gravel or crushed rock surface.
7. Never attempt to make any adjustments while engine is running (except where specifically recommended by manufacturer).
8. Let engine and machine adjust to outdoor temperature before starting to clear snow.

OPERATION

1. Do not put hands or feet near rotating parts. Keep clear of discharge opening at all times.
2. Exercise extreme caution when operating on or crossing a gravel drive, walks, or roads. Stay alert for hidden hazards or traffic. Do not carry passengers.
3. After striking a foreign object, stop the engine, remove wire from spark plug, thoroughly inspect the snow thrower for any damage, and repair the damage before restarting and operating the snow thrower.
4. If the snow thrower should start to vibrate abnormally, stop the engine and check immediately for the cause. Vibration is generally a warning of trouble.

5. Stop engine whenever you leave the operating position, before unclogging the collector/impeller housing or discharge guide, and making any repairs, adjustments, or inspections.
6. Take all possible precautions when leaving the vehicle unattended. Disengage the power take-off lower the attachment, shift into neutral, set the parking brake, stop the engine, and remove the key.
7. When cleaning, repairing, or inspecting make certain collector/impeller, and all moving parts have stopped. Disconnect spark plug wire and keep away from plug to prevent accidental starting.
8. Do not run engine indoors, except when starting engine and for transporting snow thrower in or out of building. Open doors, exhaust fumes are dangerous.
9. Do not clear snow across the face of slopes. Exercise extreme caution when changing direction on slopes. Do not attempt to clear steep slopes.
10. Never operate snow thrower without guards, plates, or other safety protection devices in place.
11. Never operate snow thrower near glass enclosure, automobiles, window wells, drop-off, etc. without proper adjustment of snow thrower discharge angle. Keep children and pets away.
12. Do not overload machine capacity by attempting to clear snow at too fast a rate.
13. Never operate machine at high transport speeds on slippery surfaces. Use care when backing.
14. Never direct discharge at bystanders or allow anyone in front of unit.
15. Disengage power to collector/impeller when transporting or not in use.
16. Use only attachments and accessories approved by the manufacturer of snow thrower (such as wheel weights, counter weights, cabs, etc.)
17. Never operate the snow thrower without good visibility or light. Always be sure of your footing and keep a firm hold on the handles and walk, never run.

MAINTENANCE AND STORAGE

1. Check shear bolts engine mounting bolts, etc. at frequent intervals for proper tightness to be sure equipment is in safe working condition.
2. Never store machine with fuel in the fuel tank inside a building where open flame or spark are present. Allow engine to cool before storing in any enclosure.
3. Always refer to owner's guide instructions for important details if snow thrower is to be stored for an extended period.



It is suggested that this manual be read in its entirety before attempting to assemble or operate. Keep this manual in a safe place for future reference and for ordering replacement parts.

ASSEMBLY INSTRUCTIONS

This owner's manual covers installation of the snow thrower attachment to various model Cub Cadet tractors. Not all parts will be used for all tractors. Follow only those instructions which pertain to your unit.

CONTENTS OF HARDWARE PACK (See figure 1):

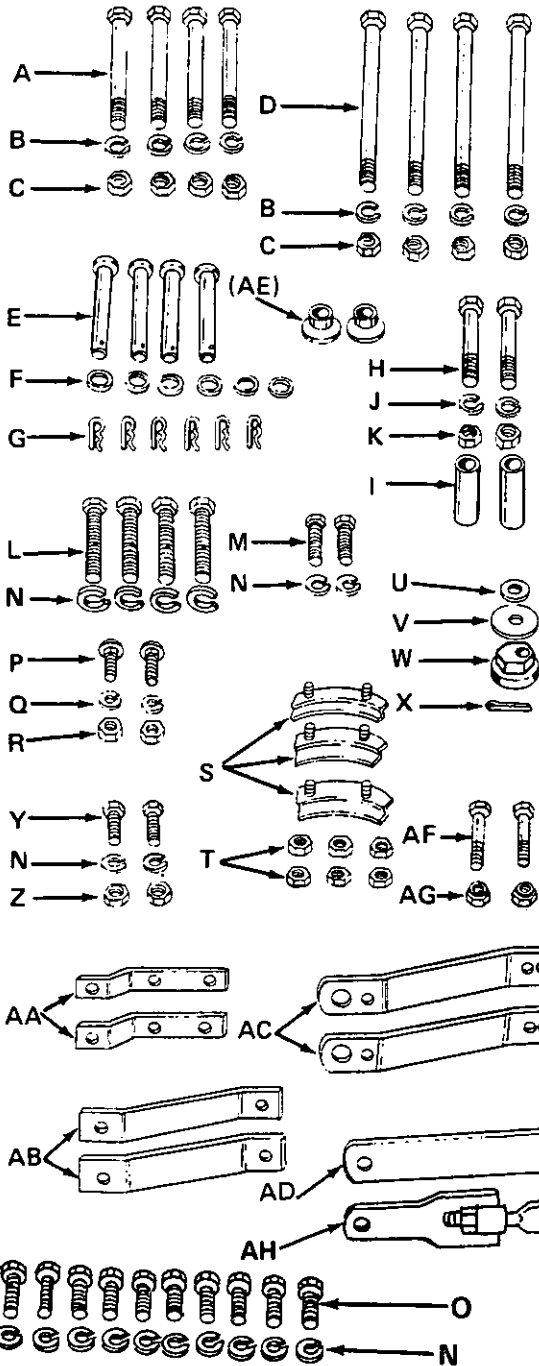


FIGURE 1

- A (4) Hex Bolts 1/2-13 x 3" Long
- B (8) Lock Washers 1/2" I.D.
- C (8) Hex Nuts 1/2-13 Thread
- D (4) Hex Bolts 1/2-13 x 5" Long
- E (4) Clevis Pins 1/2" Diameter
- F (6) Flat Washers 1/2" I.D.
- G (6) Hairpin Cotter 1/2" Diameter
- H (2) Hex Bolts 7/16-20 x 3" Long*
- I (2) Spacers 1-1/2" Long*
- J (2) Lock Washers 7/16" I.D.*
- K (2) Hex Nuts 7/16-20 Thread*
- L (4) Hex Patch Bolts 3/8-16 x 2-1/2" Long*
- M (2) Hex Bolts 3/8-16 x 1" Long*
- N (18) Lock Washers 3/8" I.D.*
- O (10) Hex Bolts 3/8-16 x 3/4" Long*
- P (2) Carriage Bolts 5/16-18 x 5/8" Long
- Q (2) Lock Washers 5/16" I.D.
- R (2) Hex Nuts 5/16-18 Thread
- S (3) Chute Flange Keepers
- T (6) Hex Lock Nuts 1/4-20 Thread
- U (1) Flat Washer 3/8" I.D. x 5/8" O.D.
- V (1) Large Flat Washer
- W (1) Hex Bushing
- X (1) Cotter Pin
- Y (2) Hex Bolts 3/8-16 x 1-1/4" Long
- Z (2) Hex Nuts 3/8-24 Thread
- AA (2) Mounting Straps — R.H. & L. H.*
- AB (2) Rear Hanger Support Brackets*
- AC (2) Rear Hanger Brackets*
- AD (1) Lift Bracket
- AE (2) Shoulder Spacers
- AF (2) Hex Bolts 5/16-18 x 1-3/4" Long**
- AG (2) Hex Lock Nuts 5/16-18 Thread**
- AH (1) Adjustable Link

*Parts not required for 982, 984, 986, 1912 and 1914 tractors.

** The augers are secured to the spiral shaft with two hex bolts and hex lock nuts (see Ref. Nos. 41 and 51 on page 12). If you hit a foreign object or ice jam, the snow thrower is designed so that the hex bolts will shear. Two replacement hex bolts and nuts are provided in the hardware pack for your convenience. Store in a safe place until needed.

LOOSE PARTS IN CARTON

- (1) Guide Bracket Assembly
- (2) Square Tubing 35-1/4" Long
- (2) Square Tubing 46" Long
- (1) Tubing Support Bracket
- (1) Chute Crank Assembly
- (1) Universal Drive Shaft — Male Half
- (1) Chute Assembly
- (1) Drive Shaft Cover
- (1) Three Point Hitch Plate

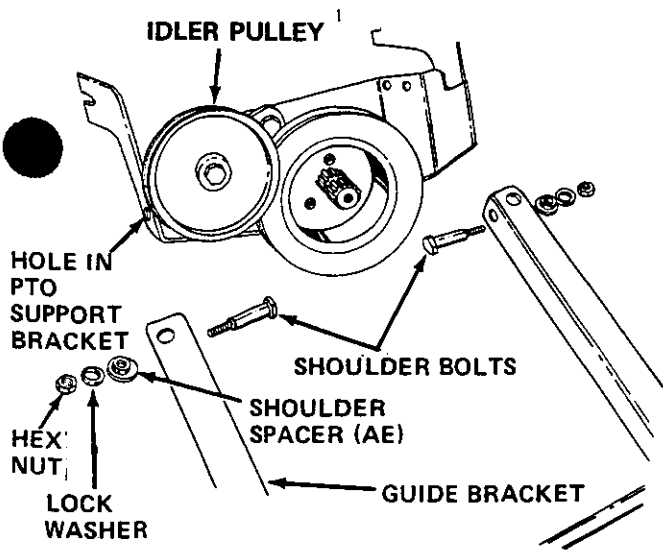


FIGURE 2

1. Remove the snow thrower attachment, PTO kit and loose parts from both cartons. Be certain all parts and literature have been removed before the cartons are discarded.
2. **Model 680, IH-1282, 1210, 882, IH-782D, and 1512 tractors only:** Disassemble the idler pulley shown in figure 2. Turn the pulley around so the hub side is toward the front, and reassemble to the PTO support bracket. Refer to illustration on page 16.
3. Remove the shoulder bolt, lock washer and hex nut from each side of the PTO support bracket. Place the guide bracket in position as shown in figure 2.

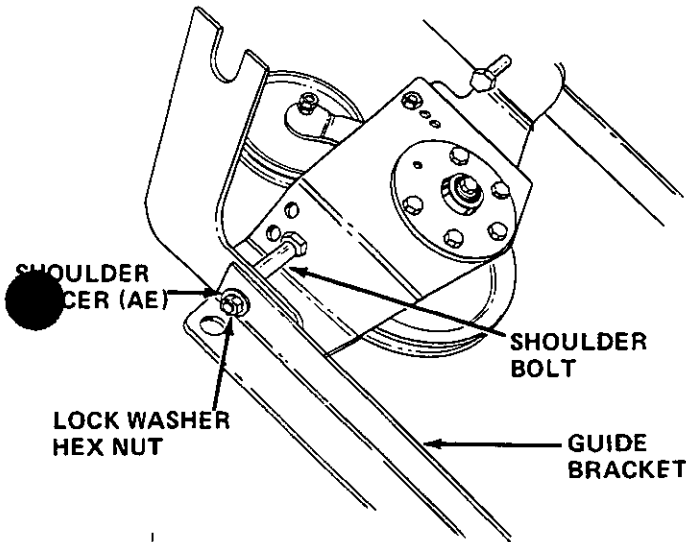


FIGURE 3

4. Secure guide bracket to PTO support bracket using hardware removed in step 3 and the shoulder spacer (AE). See figure 3.

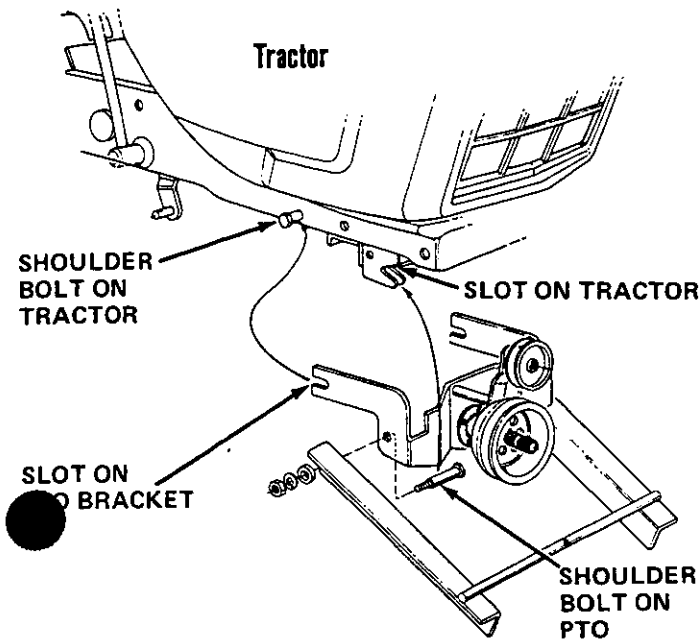


FIGURE 4

5. Place PTO assembly in position on front of the tractor. Push the quick hitch latch down and slide shoulder bolts on PTO assembly into slots on tractor. Shoulder bolts on tractor go into slots on PTO assembly. See figure 4.

NOTE

The front axle pivot bolt must be installed so that the head of the bolt is toward the front of the tractor. If it is installed incorrectly, the PTO bracket may not fully lock in place.

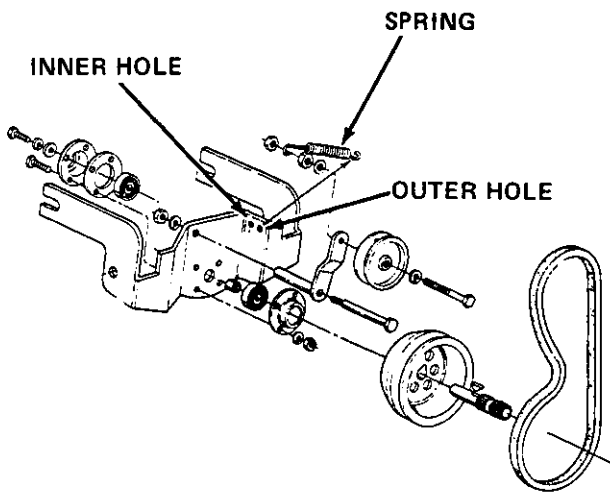


FIGURE 5

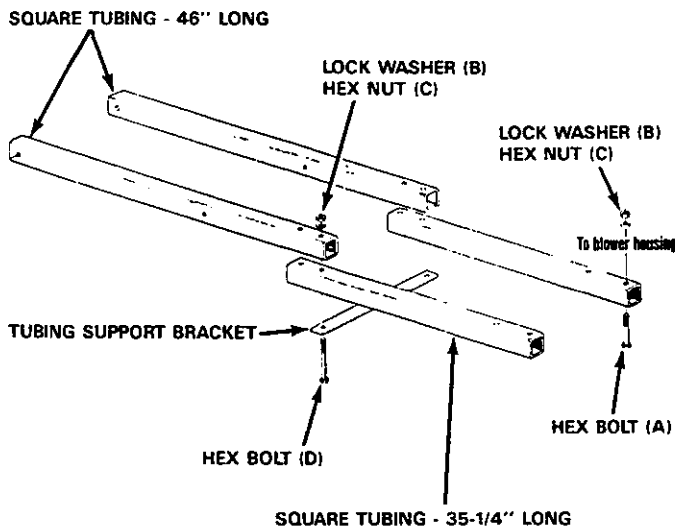


FIGURE 6

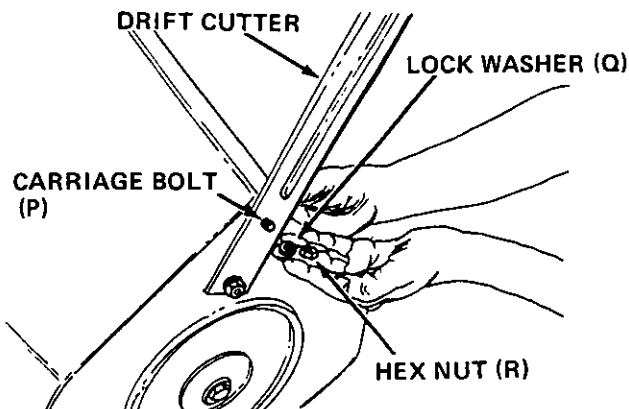


FIGURE 7

NOTE

Disregard steps 6 and 7 for model 419 PTO kit. Proceed with step 8.

6. **Model 418 only:** Hook long end of spring (provided with PTO kit) to the bolt which secures the idler pulley as shown in figure 5.
7. **Model 418 only:** Hook the other end of spring into inner hole in PTO support bracket.
8. Lift out grille. Place belt around the top pulley and inside of idler pulley. Roll belt onto bottom pulley. Replace grille.
9. Tip the snow thrower attachment forward so it rests on the spirals.



WARNING

Block the snow thrower in this position to prevent it from falling back.

10. Place the 35-1/4" long square tubing in position against the snow thrower housing, using the outside holes in housing. Secure with hex bolts (A), lock washers (B) and hex nuts (C) as shown in figure 6.
11. Secure square tubing 46" long to square tubing 35-1/4" long and tubing support bracket with hex bolts (D), lock washers (B) and hex nuts (C). Tighten finger tight only.

NOTE

Tubing support bracket assembles to the second hole from the end of the square tubing 35-1/4" long. See figure 6.

12. Lower the snow thrower attachment to the ground.
13. Make certain the two pieces of square tubing are parallel, then tighten the nuts and bolts securely.

14. Using a 1/2" wrench, remove the carriage bolts, lock washers and hex nuts holding the drift cutters to the snow thrower housing. Turn and place the drift cutters in position. Secure with the carriage bolts (P) (heads of bolts are to the inside of the housing), lock washers (Q) and hex nuts (R).

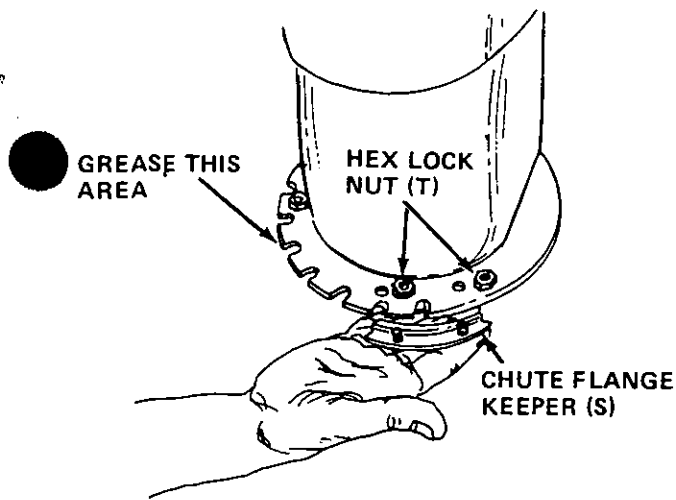


FIGURE 8

15. Grease the flange at chute opening of blower housing using all purpose automotive grease. See figure 8.
16. Place the chute assembly over the chute opening using flange keepers (S) and hex center lock nuts (T). A 7/16" boxed or open end wrench is required. See figure 8.

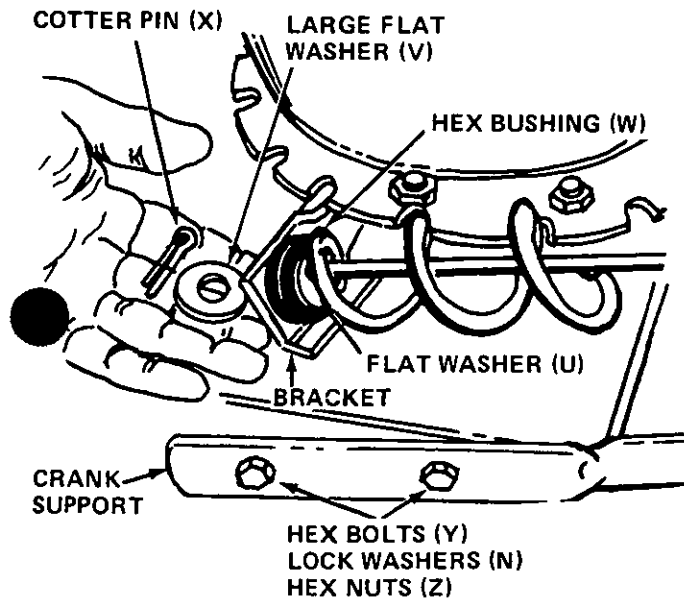


FIGURE 9

17. Attach the crank support to the blower housing using two hex bolts (Y), two lock washers (N) and two hex nuts (Z). A 9/16" boxed or open end wrench is required. See figure 9.
18. Place hex bushing (W) into bracket beside the chute assembly. Position the hex bushing so the hole in the bushing is close to the chute assembly. See figure 9.
19. Place flat washer (U) on the end of the chute crank. Insert the chute crank into the hole in the hex bushing so that the spiral on the chute crank engages the teeth on the chute assembly. Place large flat washer (V) on the end of the chute crank. Insert cotter pin (X) into hole in the end of chute crank. Secure by bending the ends of cotter pin in opposite directions.

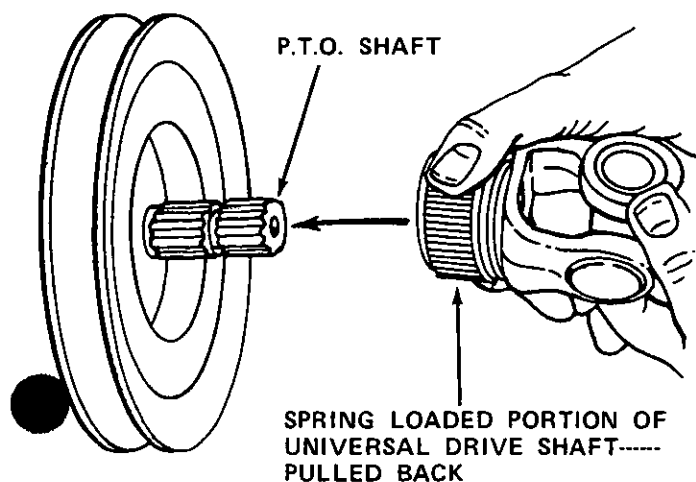


FIGURE 10

ATTACHING SNOW THROWER TO TRACTOR

1. Slide the male half of the universal drive shaft assembly into the female half of the universal drive shaft which is attached to the snow thrower.
2. Place snow thrower squarely in front of tractor. Lift the guide bracket out of the way and roll tractor forward over snow thrower.
3. Lift the universal drive shaft on snow thrower. Pull back on spring loaded portion. See figure 10. Slip the universal drive shaft over the PTO shaft. Release the spring loaded portion to lock.

NOTE

482, 580 (IH-582 Special) and 1604 tractors: Disregard the following steps 4 through 11. For these models, go directly to step 12.

982, 984, 986, 1912 and 1914 tractors: Disregard the following steps 4 through 17. Install hanger bracket extension kit model 421 (see page 18).

4. Remove the two hex bolts and spring washers from the lower end of the transaxle housing on the right side. Discard the hex bolts and save the spring washers for re-assembly.

NOTE

Loss of fluid can be expected at this time.

5. Place the right hand mounting strap (AA) in position on the transaxle. Spring washers removed in step 4 must be positioned between the mounting strap and the transaxle housing. Secure with one hex bolt (L) and lock washer (N) in the middle hole of the bracket. See figure 11. Tighten securely.

NOTE

Mounting Strap (AA) — there is a right hand (R.H.) and left hand (L.H.) mounting strap. The L.H. mounting strap should be painted white.

When assembled to the proper side, the hole farthest to the rear of the tractor will be closer to the bottom edge of the bracket than the top edge of the bracket. The bend in the bracket where this hole is located, should be offset away from the transmission housing as shown in figure 11.

6. Place rear hanger support bracket (AB) in position against mounting strap (AA). See figure 11. Secure front hole in rear hanger support bracket (AB) and mounting strap (AA) with hex bolt (L) and lock washer (N). Tighten securely.
7. Repeat steps 4, 5 and 6 for left side of transaxle.

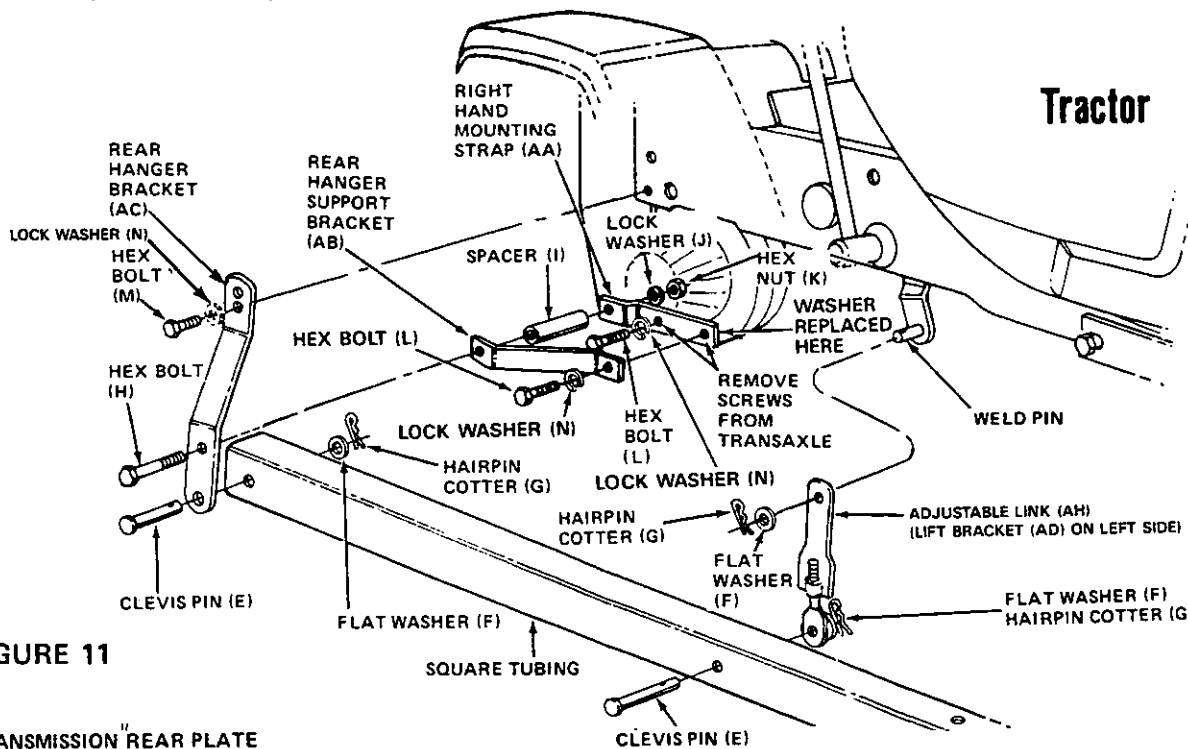


FIGURE 11

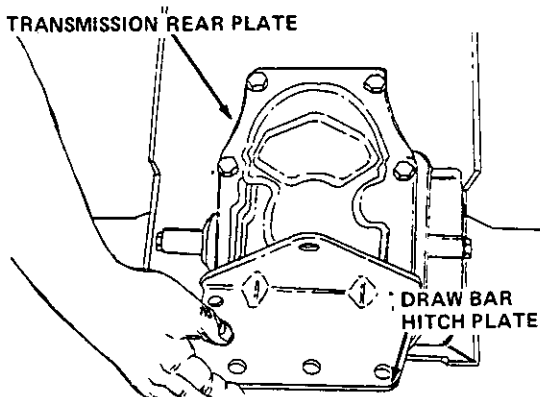


FIGURE 12

8. Remove the five patch bolts and lock washers which secure the drawbar hitch plate to the rear plate of the transmission. See figure 3.

NOTE

Some loss of fluid can be expected at this time.

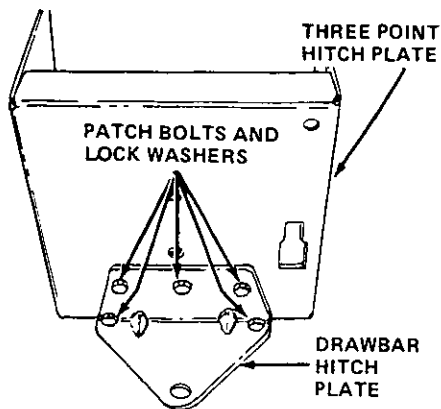


FIGURE 13

- Using the patch bolts and lock washers removed in the previous step mount the drawbar hitch plate to the three point hitch plate assembly. See figure 13.

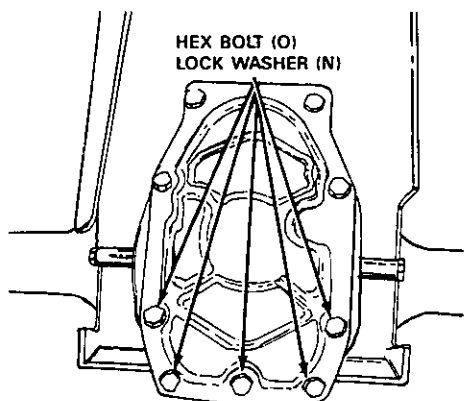


FIGURE 14

- Replace the hardware removed from rear plate of transmission in step 8 with five 3/4" long patch bolts (O) and 3/8" lock washers (N). See figure 14.

NOTE

Torque bolts to 30 ft.-lb.

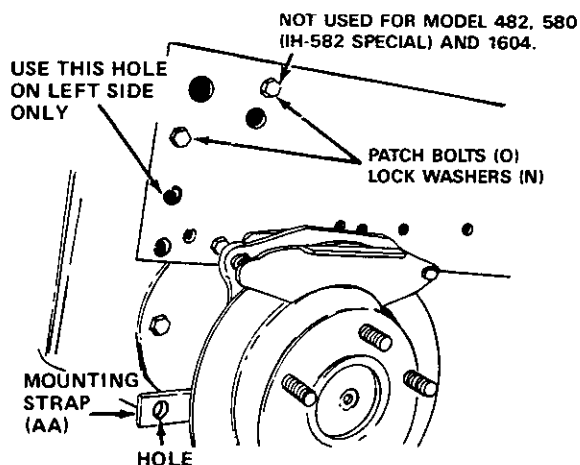


FIGURE 15

- The three point hitch plate mounts to the tractor frame and the mounting straps (AA). If a three point hitch is already attached, remove the bottom bolt which secures the hitch plate to the frame on each side of the unit, then proceed with step 16. If a three point hitch is not assembled to the tractor, it must be attached per the following instructions.

NOTE

Figure 15 is shown with wheel removed for clarity only.

NOTE

Mounting straps (AA) are not used on model 482, 580 (IH-582 Special) and 1604 tractors.

Note that an adapting package (759-3198) will be required for these units, available through the Cub Cadet parts system.

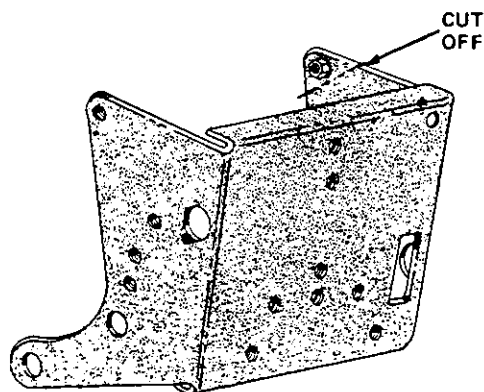


FIGURE 16—Model 482, 580 (IH-582 Special) and 1604 only.

- Model 480, 580 (IH-582 Special) and 1604 tractors only:** Cut 1-1/2" to 2" off the upper right hand "ear" of the three point hitch plate so that it will clear the clutching spring mounting bolt. See figure 16.

13. The three point hitch plate mounts to the inside of the tractor frame. Secure the three point hitch plate to the right side of the tractor frame using two 3/4" long hex bolts (O) and lock washers (N) in the top two holes only at this point as shown in figure 15. For models 482, 580 (IH-582) and 1604 tractors, use only the middle bolt position. See figure 15.
14. Secure the three point hitch plate to the left side of the tractor frame using only the top three holes at this point. Use three 3/4" long hex bolts (O) and 3/8" lock washers (N). See figure 15.
15. Secure the rear hanger brackets (AC) to the tractor frame using the second hole from the top end of the bracket. See figure 11. Use one 1" long hex bolt (M) and one 3/8" lock washer (N) for each bracket.

Tighten all bolts except those holding the rear hanger brackets (AC) to the tractor frame.



482, 580 (IH-582 Special) and 1604 tractors: Disregard the following steps 16 and 17. Service kit 759-3198 should be installed on these models at this time.

16. Place 3" long hex bolt (H) into the inner hole on the end of the rear hanger bracket (AC) (bend in the bracket should be to the outside of the unit), the rear hole on the rear hanger support bracket (AB), spacer (I), and the rear hole on the mounting strap (AA). See figure 11. Secure the bottom hole of the hitch plate with lock washer (J) and hex nut (K).



Rear Hanger Bracket (AC) has two (2) holes in the upper end of the bracket. The upper most hole is for the older, wide frame Cub Cadet Tractors (1100 thru 1650). The lower hole is for use in mounting to the current line of Cub Cadet Tractors.

It will be necessary to drill one or both holes in the tractor frame when mounting the Rear Hanger Bracket (AC) to the older, wide frame Cub Cadet Tractors (1100 thru 1650). See figure 17.

This hole should be located 5/8" from the back edge of the tractor frame and 1" from the bottom edge of the tractor frame as shown in figure 17.

17. Repeat step 16 for the opposite side. Tighten bolts securely.

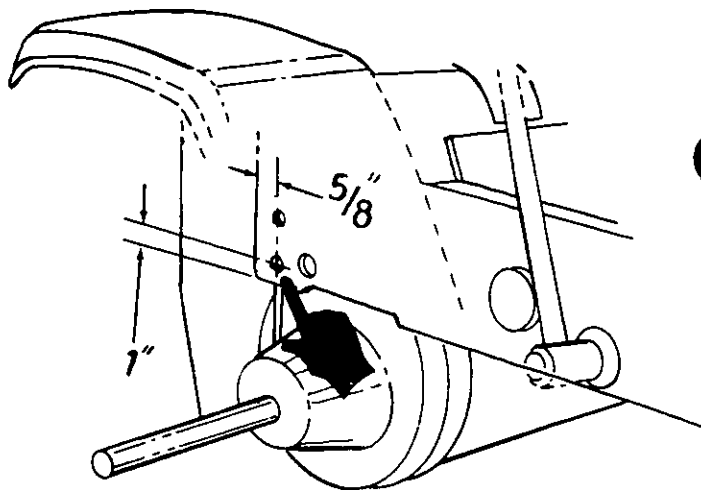


FIGURE 17

18. Lift the square tubing on the snow thrower, and attach to the rear hanger brackets (AC) using clevis pins (E), flat washers (F) and hairpin cotters (G). See figure 11.
19. Place the lift in the lowest position. Attach the lift bracket (AD) to the left side of the tractor and the adjustable link (AH) to right side of tractor by placing over the weld pins on tractor and securing with flat washers (F) and hairpin cotters (G). See figure 11.
20. Secure the lift bracket and adjustable link to holes in square tubing with clevis pins (E), flat washers (F) and hairpin cotters (G). Raise the lift handle.
21. **Manual lift tractors only:** Install helper spring kit model 420, page 17.
22. If unit is so equipped, assemble the weight box kit as instructed on page 19 of this manual.
23. Assemble the drive shaft cover to the snow thrower by removing two hex nuts and lock washers from each side of the gear box. Place the drive shaft cover in position as shown in figure 18, and secure with lock washers and hex nuts.

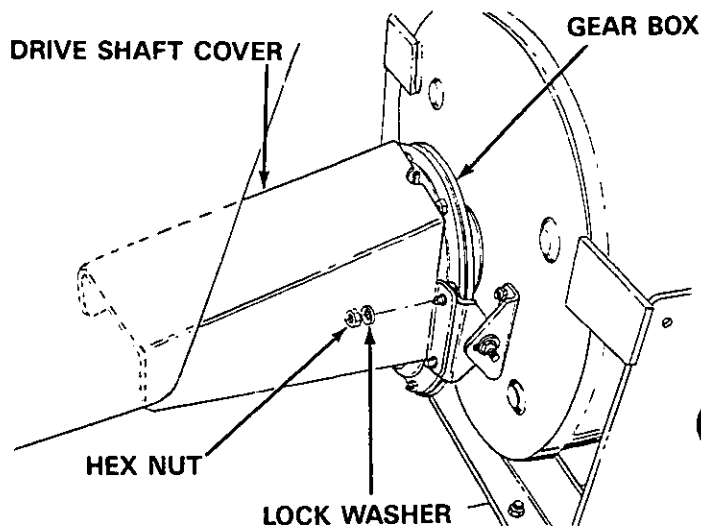


FIGURE 18

CONTROLS

The thrower controls are conveniently located at the operator's position on the tractor.

LIFT LEVER

The lift lever on the tractor is used to raise and lower snow thrower. To raise snow thrower, pull back on lift lever. To lower snow thrower, push lift lever forward slowly until snow thrower reaches ground level.

DISCHARGE CHUTE CONTROL CRANK

The discharge chute control crank is located on the left hand side of the snow thrower. The chute crank controls the direction in which snow is thrown. The discharge radius is 180° degrees. Turn crank to the right to direct snow to the right hand side. Turn to the left to direct snow to left hand side.

FRONT POWER TAKE-OFF (PTO)

The front power take-off switch or switches control the snow throwing action. Engage the spirals by moving the PTO toggle switch or switches to the "Engaged" position. Move the PTO switch or switches to the "Disengaged" position to stop the snow throwing action.

OPERATION

The snow thrower is capable of handling heavy snow conditions. Become fully familiar with all aspects of both the tractor and snow thrower prior to its usage. **Do Not** remove any guards or covers while operating tractor and thrower.

BEFORE PLACING SNOW THROWER INTO OPERATION

1. Check all nuts and bolts for correct tightness. Be sure that all parts are properly assembled.
2. Test all controls for smooth operation.
 - A. Discharge chute control crank
 - B. Lift lever
 - C. PTO switch or switches
3. Check the tractor and thrower to make certain both are in good operating condition.
4. Fill gas tank out-of-doors. Avoid spilling gasoline over engine. **Do not** fill tank while engine is running. Wipe up any spilled gas.

OPERATING SPEED

The spiral speed is directly related to engine speed. For maximum snow removal and discharge, maintain engine R.P.M. (full throttle). The tractor's forward speed is controlled by selecting one of the forward speeds. It is advisable to operate the tractor at a slow ground speed for safe and efficient snow removal.

SNOW CONDITIONS

Snow removal conditions vary greatly from light fluffy snowfall to wet heavy snow. Therefore, operating instructions must be flexible to fit conditions encountered. The operator must adapt the tractor and snow thrower to depth of snow, wind direction, temperature, and surface conditions.

DEEP OR DRIFTED SNOW

In deep, drifted, or banked snow, it will be necessary to use full throttle and first speed. Drive the spiral into the snow, disengage clutch and allow spiral to clear the snow. Repeat this method until a path is cleared. On the second pass, overlap the first enough to allow the spiral to handle the snow without repeated clutching and declutching of the tractor.

In extremely deep snow, raise thrower from the ground, drive tractor ahead in the deep snow to remove top layers first. Do not drive tractor into snow bank where snow has not been removed to ground level. Disengage tractor clutch and allow thrower to clear the snow. Reverse tractor and lower thrower to the ground. Drive tractor ahead and repeat process to remove balance of snow. Working with repeated passes into and out of drifts will eventually move even the deepest of snow piles.



CAUTION

If snow thrower becomes plugged with snow, or jammed due to hitting a foreign object, disengage snow thrower immediately and stop tractor engine. Clear snow from chute if plugged, before resuming operation.



NOTE

If spiral is jammed or bent from hitting a foreign object, stop tractor engine. Remove spark plug wire from spark plug and then remove foreign object from spiral. If spiral damage is noted, repair prior to continuing operation. Then replace spark plug wire and resume operation.

OPERATING TIPS

1. Whenever possible, discharge snow down wind.
2. **Do not** attempt to remove ice or packed, frozen snow.
3. Always overlap each pass slightly to assure complete snow removal.
4. A frozen or stuck spiral or chute must be broken loose or thawed with care. When attempting to loosen frozen or jammed spiral, shut off tractor engine and disconnect spark plug wire. Never attempt to clear snow thrower at any time with tractor engine running.

NOTE

When snow thrower and tractor are not in use, lower snow thrower to the ground to prevent excess weight on front tires.

USE OF TIRE CHAINS

Tire chains should always be used when extra traction is needed. They add maneuverability in handling snow removal jobs.



When making any adjustments, turn tractor engine off.

SKID SHOE ADJUSTMENT

The skid shoes are mounted on each side of spiral housing. These regulate distance shave plate is raised above the plowing surface. When removing snow from a gravel driveway or an uneven surface, it is advisable to keep shave plate as high above the surface as possible to prevent possible damage to spiral.

On blacktop or concrete surface, keep shave plate as close to the surface as possible. Skid shoes can be adjusted so that shave plate will rest directly on the surface. Turning skid shoes around or inverting them will allow even wear on skid shoes.

Raise snow thrower off the ground and place a block at each end of shave plate. Loosen 4 nuts securing skid shoes to spiral housing (2 nuts on each side). Move skid shoes up or down to desired position and tighten nuts securely. Adjust both skid shoes to the same height to keep spiral level. See figure 12.

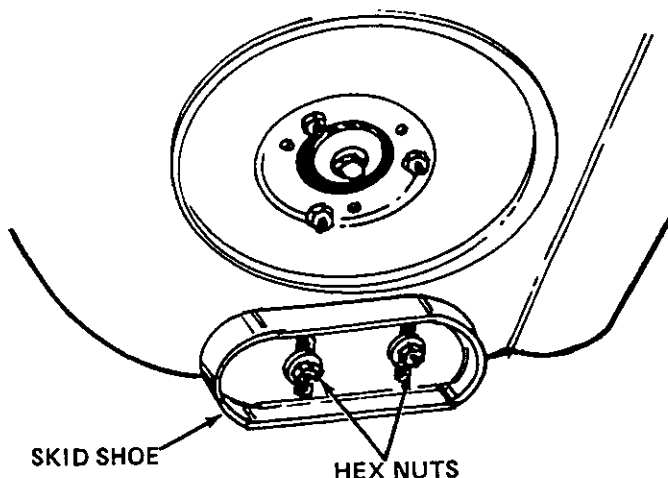


FIGURE 19

CHUTE DEFLECTOR ADJUSTMENT

The upper chute deflector mounting on the top of the chute determines the distance snow is thrown. Moving top of deflector down decreases distance of throw and raising deflector increases distance of throw. Operator must get off tractor to make this adjustment. Disengage spirals and turn engine off before making this adjustment.

To adjust, loosen hand knob on the side of chute deflector and pivot to desired position. Retighten hand knob.

SNOW THROWER LEVEL ADJUSTMENT

The snow thrower can be leveled by removing the hairpin cotter and flat washer which secure the adjustable lift link to the snow thrower. Turn the end of the link to the left or right as needed. Reconnect the adjustable link.

MAINTENANCE

SHAVE PLATE AND SKID SHOES

The shave plate and skid shoes on the bottom of the snow thrower are subject to wear. They should be checked periodically and replaced when necessary. Skid shoes are reversible for longer life. They may also be inverted to extend their life even further.

Replace shave plate and skid shoes before wear is excessive. Failure to do so will result in damage to the spiral housing.

AUGERS

The augers are secured to spiral shaft with two hex bolts and hex lock nuts (See Ref. Nos. 41 and 51 on page 12). If you hit a foreign object or ice jam, the snow thrower is designed so that the hex bolts will shear.

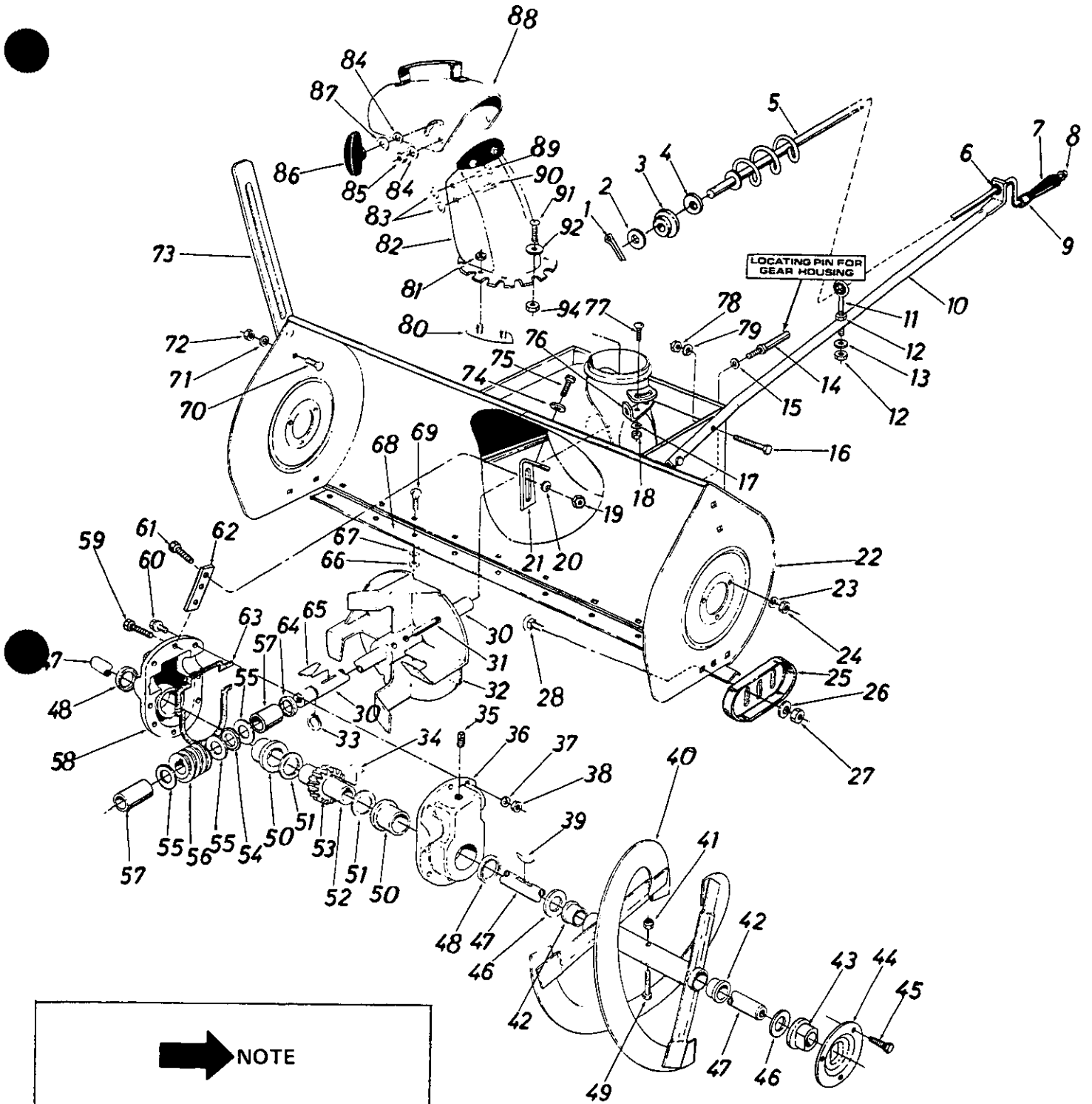
If the augers will not turn, check to see if the hex bolts have sheared. Two replacement hex bolts and hex lock nuts have been provided with the snow thrower. For future use, order part number 710-0891 (hex bolt 5/16-18 x 1.75" long) and 712-0429 (hex insert lock nut 5/16-18 thread)

OFF-SEASON STORAGE

At the end of the snow season the following steps are recommended:

1. Remove snow thrower assembly from tractor.
2. Wash off any salt deposit which may have dried on the thrower and housing. Paint or cover exposed metal with a light coat of oil.
3. Store thrower in a dry place.

Model 364



NOTE

Specifications subject to change without notice or obligation.



NOTE

Lubricate with 4 oz. Shell Alvania Grease EPR00. Order Part No. 737-0168.

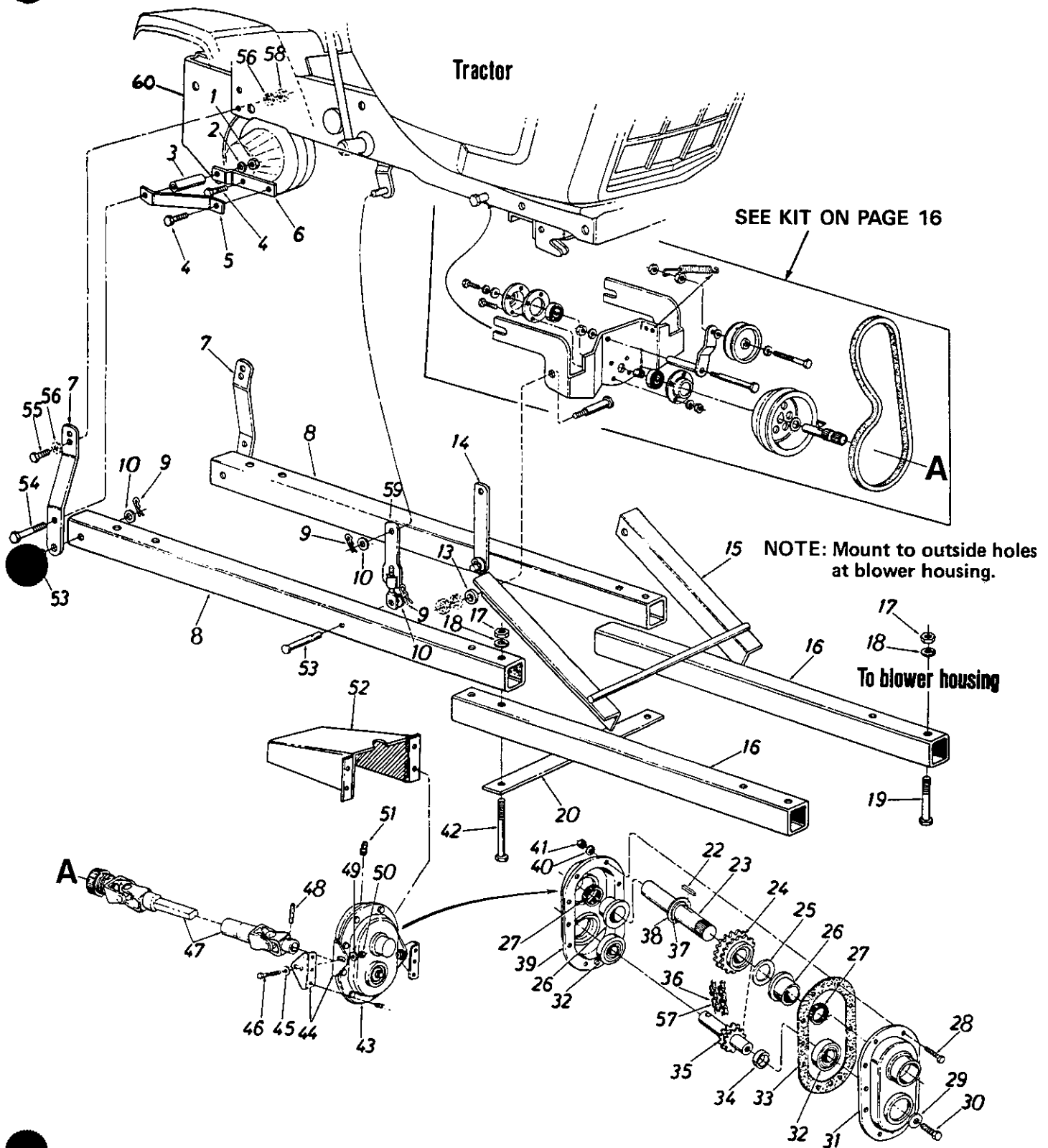
Model 364

PARTS LIST FOR 45" SNOW THROWER MODEL 364

REF. NO.	PART NO.	DESCRIPTION	New Part	REF. NO.	PART NO.	DESCRIPTION	New Part
1	714-0507	Cotter Pin		46	736-0250	Fl.-Wash. 1.00" I.D. x 1.75" O.D.	
2	736-0140	Fl.-Wash. .39" I.D. x .62" O.D.		47	738-0492	Spiral Axle	
3	741-0475	Plastic Bushing		48	741-0182	Flange Bearing 1.503" I.D.	
4	736-0140	Fl.-Wash. .385" I.D. x .62" O.D.		49	710-0891	Shear Bolt 5/16-18 x 1.75" Lg.	
5	05982	Chute Crank Ass'y.		50	721-0146	Oil Seal 1.50" I.D.	
6	741-0471	Plastic Bushing		51	736-0266	Fl.-Wash. 1.50" I.D. x 2.00" O.D.	
7	720-0171	Knob Ball 3/8" Dia. Hole		52	738-0275	Worm Gear Shaft	
8	726-0100	Push Nut 3/8" Rod		53	717-0300	Double Threaded Worm Gear - L.H.	
9	750-0526	Spacer .385 I.D. x .50" I.D.					
10	749-0230	Chute Crank Support Tubing		54	741-0184	Thrust Brg. - .88" I.D. x 1.44" O.D.	
11	747-0416	Eyebolt					
12	712-0267	Hex Nut 5/16-18 Thd.*		55	736-0291	Fl.-Wash. .88" I.D. x 1.4" O.D.	
13	736-0242	Bell.-Wash. .345" I.D. x .88" O.D.		56	717-0299	Double Threaded Worm - L.H.	
				57	741-0217	Sleeve	
14	711-0640	Stud 3/8-16 x 2.75" Lg.		58	717-0298	Complete Gear Hsg. Half - R.H.	
15	736-0105	Bell.-Wash. .400" I.D. x .88" O.D.		59	710-0528	Hex Bolt 5/16-18 x 1.25" Lg.*	
				60	710-0376	Hex Bolt 5/16-18 x 1.0" Lg. (Grade 5)	
16	710-0191	Hex Bolt 3/8-24 x 1.25" Lg.*		61	710-0412	Hex Bolt 1/4-28 x .75" Lg.	
17	736-0242	Bell.-Wash. .345" I.D. x .88" O.D.		62	784-5075	Gear Housing Support Plate	
				63	721-0144	Rubber Gasket	
18	712-0267	Hex Nut 5/16-18 Thd.*		64	721-0145	Oil Seal - .875" I.D.	
19	712-0138	Hex Nut 1/4-28 Thd.		65	714-0126	#9 Hi-Pro Key 3/16 x 3/4" Dia. (HT.)	
20	736-0270	Bell.-Wash. .265" I.D. x .75" O.D.					
21	784-5076	Gear Housing Support Brkt.		66	712-0267	Hex Nut 5/16-18 Thd.*	
22	784-5036	45" Snow Blower Housing Ass'y.		67	736-0119	L.-Wash. 5/16" I.D.*	
23	736-0119	L.-Wash. 5/16" I.D. *		68	05598	Shave Plate	
24	712-0267	Hex Nut 5/16-18 Thd.*		69	710-0276	Carriage Bolt 5/16-18 x 1.00" Lg.*	
25	784-5038	Slide Shoe					
26	736-0105	Bell.-Wash. .400" I.D. x .88" O.D.		70	710-0260	Carriage Bolt 5/16-18 x .62" Lg.*	
27	712-0342	Hex Jam Nut 3/8-16 Thd.		71	736-0119	L.-Wash. 5/16" I.D.*	
28	710-0790	Carriage Bolt 3/8-16 x .62" Lg.*		72	712-0267	Hex Nut 5/16-18 Thd.*	
30	738-0679	Blower Axle .875" Dia. x 14.75" Lg.	N	73	05139	Guide Blade	
31	715-0118	Spring Pin Spir. 5/16" Dia. x 1.75" Lg.		74	736-0242	Bell.-Wash. .345" I.D. x .88" O.D.	
				75	710-0726	Hex Wash. Hd. AB Tap Scr. 5/16 x .75" Lg.	
32	784-5145	Blower Fan Ass'y.	N	76	784-5123	Chute Crank Brkt.	N
33	716-0111	Snap Ring For .875" Dia. Shaft		77	710-0451	Carriage Bolt 5/16-18 x .75" Lg.*	
34	714-0135	#91 Woodr-Key 1/4 x 3/4" Dia. (HDN)		78	712-0116	Hex Ins. L.-Nut 3/8-24 Thd.	
				79	736-0169	L.-Wash. 3/8" I.D.*	
35	737-0175	Vent Plug		80	05783	Chute Flange Keeper	
36	717-0297	Comp. Gear Hsg. Half-L.H.		81	712-0107	Hex Cent. L.-Nut 1/4-20 Thd.	
37	736-0271	Spr.-Wash. .32" I.D. x .62" O.D.		82	784-5074	Chute Ass'y. w/Chute Guard	
38	712-0429	Hex Ins. L.-Nut 5/16-18 Thd.		83	736-0179	Fl.-Wash. .285" I.D. x 1.25" O.D.	
39	714-0135	#91 Woodr-Key 1/4 x 3/4" Dia. (HDN)		84	736-0242	Bell.-Wash. .345" I.D. x .88" O.D.	
40	05608	Spiral Ass'y. R.H. (Not Shown)		85	712-0158	Hex Cent. L.-Nut 5/16-18 Thd.	
	05609	Spiral Ass'y. L.H.		86	09966	Knob Handle	
41	712-0429	Hex Ins. L.-Nut 5/16-18 Thd.		87	736-0242	Bell.-Wash. .345" I.D. x .88" O.D.	
				88	05225	Top Chute Ass'y.	
42	05136	Plastic Bushing		89	710-0276	Carriage Bolt 5/16-18 x 1.00" Lg.*	
43	741-0192	Flange Brg. w/flats 1" I.D.		90	710-0260	Carriage Bolt 5/16-18 x .62" Lg.*	
44	05845	Bearing Housing		91	710-0286	Truss Mach. Scr. 1/4-20 x .50"	
45	710-0198	Hex Sems Bolt 5/16-18 x .75" Lg.*		92	736-0211	Fl.-Wash. .285" I.D. x 1.25" O.D.	
				94	712-0107	Hex Cent. L.-Nut - 1/4-20 Thd.	

*For faster service order standard nuts, bolts, and washers locally. If these items cannot be obtained locally, order by part number and size as shown on parts list.

Model 364



Lubricate with 8 oz. of plastilube grease.
Order Part No. 737-0133.

Model 364

PARTS LIST FOR MODEL 364 45" SNOW THROWER ATTACHMENT

REF. NO.	PART NO.	DESCRIPTION	NEW PART	REF. NO.	PART NO.	DESCRIPTION	NEW PART
1	712-0240	Hex Jam Nut 7/16-20 Thd.		33	721-0158	Gasket	
2	736-0171	L.-Wash. 7/16" I.D.*		34	750-0612	Spacer 1.00" I.D. x 1.18" O.D. x .440" Lg.	
3	750-0417	Spacer .50" I.D. x 1.0" O.D. x 1.47" Lg.		35	713-0346	11-2 x .500 Pitch - Sprocket Shaft Ass'y.	
4	710-3116	Patch Bolt 3/8-16 x 2.5" Lg. (Grade 5)		36	713-0349	40-2 Chain 1/2 Pitch x 25 Links	
5	784-5103	Rear Hanger Support Bracket		37	716-0116	Snap Ring for 1.25" Dia. Shaft	
6	703-0806	Mounting Strap - R.H.		38	736-0246	Fl.-Wash. 1.25" x 2.00" O.D.	
	703-0807	Mounting Strap - L.H.		39	717-0360	Gear Housing Half - R.H.	
7	784-5102	Rear Hanger Bracket		40	736-0175	L.-Wash. .270" I.D. x .57" O.D.	
8	750-0635	Sq. Tubing 2" x 46" Lg.		41	712-0138	Hex Nut 1/4-28 Thd.	
9	714-0101	Internal Cotter Pin 1/2" Dia.		42	710-0382	Hex Bolt 1/2-13 x 5.00" Lg.*	
10	736-0272	Fl.-Wash. .510" I.D. x 1.0" O.D.		43	717-0870	Chain Gear Box Ass'y. Comp.	
11	712-0342	Hex Jam Nut 3/8-16 Thd.		44	05607	Gear Box Support Bracket	
12	736-0169	L.-Wash. 3/8" I.D.*		45	736-0242	Bell.-Wash. .345" I.D. x .88" O.D.	
13	738-0347	Shld. Spacer .625" I.D.		46	710-0118	Hex Bolt 5/16-18 x .75" Lg.*	
14	784-5073	Lift Bracket 1-1/4" x 7.0" Lg.		47	717-0361	Universal Drive Shaft Ass'y.	
15	784-5067	Guide Bracket Ass'y.		48	715-0113	Spring Pin Spir. 5/8" Dia. x 2.50" Lg.	
16	750-0619	Sq. Tubing 2.0 x 35.25" Lg.		49	736-0242	Bell.-Wash. .345" I.D. x .88" O.D.	
17	712-0206	Hex Nut 1/2-13 Thd.*		50	712-0267	Hex Nut 5/16-18 Thd.*	
18	736-0921	L.-Wash. 1/2" I.D.*		51	737-0146	Grease Fitting	
19	710-0182	Hex Bolt 1/2-13 x 3.00" Lg.*		52	784-5093	Drive Shaft Cover	
20	784-5072	Tubing Support Bracket		53	711-0775	Clevis Pin .50" Dia. x 2.75" Lg.	
22	714-0128	Sq. Key 1/4 x 1.00" Lg.		54	710-0510	Hex Bolt 7/16-20 x 3.0" Lg.	
23	738-0362	Gear Shaft		55	710-0514	Hex Bolt 3/8-16 x 1.0" Lg. (Grade 5)	
24	713-0348	Double Sprocket 19-2 Teeth x .50" Pitch		56	736-0169	L.-Wash. 3/8" I.D.*	
25	736-0246	Fl.-Wash. 1.25" I.D. x 2.00" O.D.		57	713-0152	Master Link #40 Type IV	
26	748-0194	Flange Bearing 1.252" I.D.		58	712-0798	Hex Nut 3/8-16 Thd.*	
27	721-0117	Oil Seal 1.25 I.D. x 1.75" O.D.		---	737-0133	Grease - Plastilube (Not Shown)	
28	710-0281	Hex Bolt 1/4-28 x .88" Lg.		59	784-5235	Adjustable Lift Link Ass'y.-364	
29	736-0247	Bell.-Wash. .400" I.D. x 1.25" O.D.			784-5236	Adjustable Lift Link Ass'y.-421	
30	710-0591	Hex L.-Bolt 3/8-24 x 1.00" Lg.*		60	703-0809	3-Pt. Hitch Plate Sub Ass'y.	
31	717-0359	Gear Housing Half - L.A.					
32	741-0131	Ball Bearing 1.00" I.D. x 2.00" O.D.					

Model 418

FOR 1100, 1200, 1250, 1450 and 1650 TRACTORS

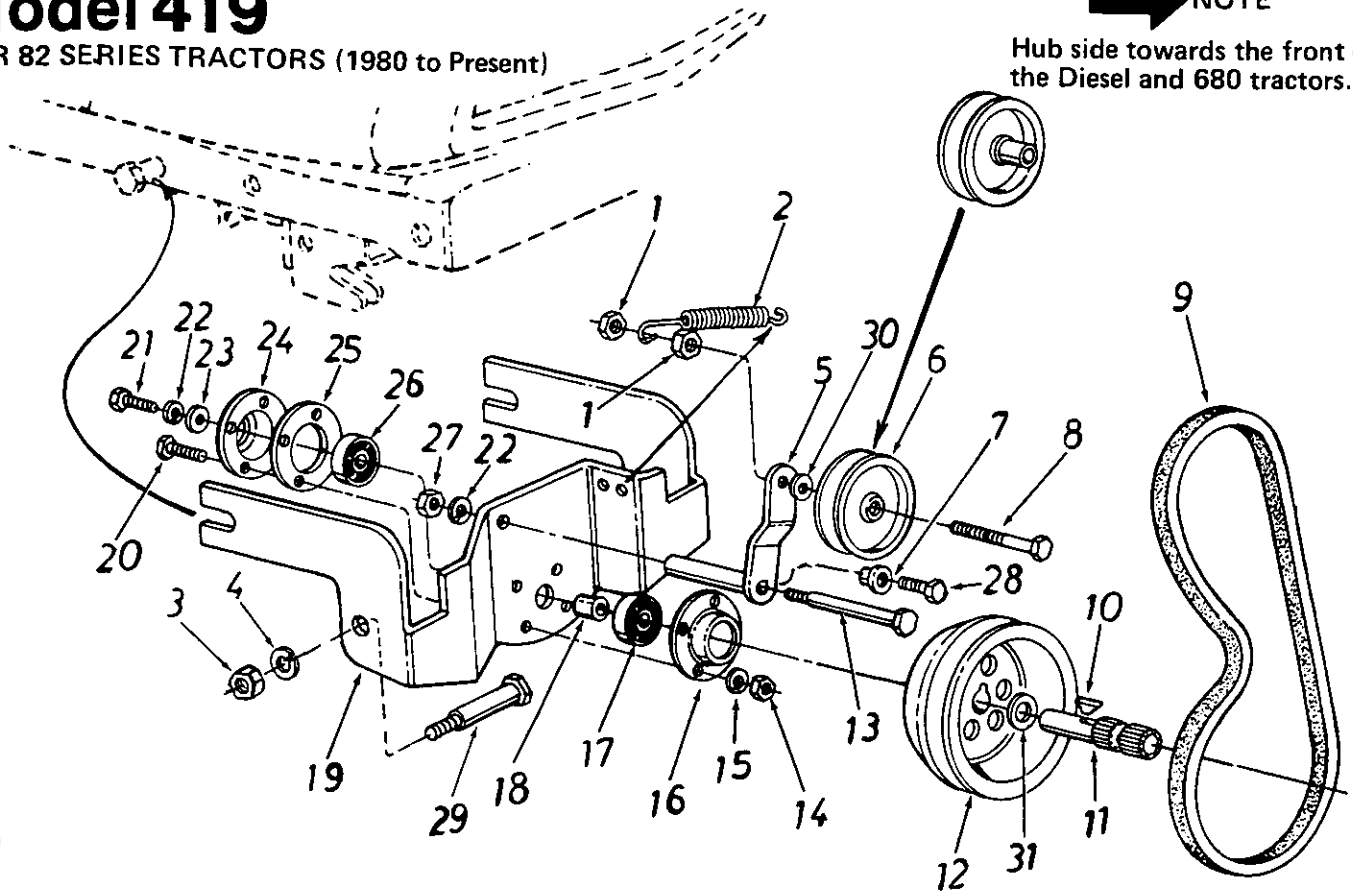
Model 419

FOR 82 SERIES TRACTORS (1980 to Present)

FRONT PTO KITS



Hub side towards the front on the Diesel and 680 tractors.



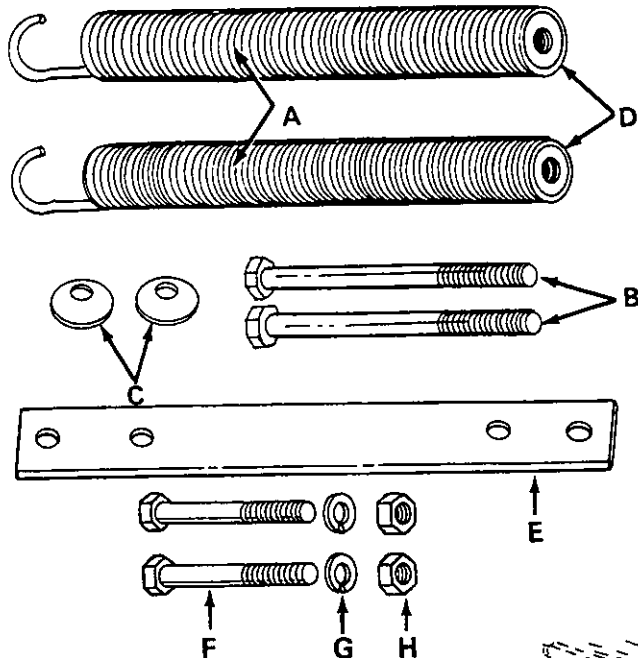
PARTS LIST FOR FRONT PTO KIT MODESL 418 and 419

REF. NO.	PART NO.	DESCRIPTION	NEW PART	REF. NO.	PART NO.	DESCRIPTION	NEW PART
1	712-0266	Hex Cent. L.-Jam Nut 3/8-16 Thd.		16	08253	Bearing Shield	
2	732-0470	Extension Spring .54" x 5.25" Lg.		17	741-0919	Ball Bearing .787" I.D. x 1.85" O.D.	
3	712-0342	Hex Jam Nut 3/8-16 Thd.		18	750-0456	Spacer 1.0" O.D. x .790" I.D. x .350" Lg.	
5	784-5070	Idler Brk't. 1.5 x 4.5" Lg. (418)		19	784-5065	PTO Support Brk't. (418)	
	784-5114	Idler Brk't. Ass'y. (419)	N	20	784-5116	PTO Support Bracket (419)	N
6	756-0137	Fl.-Idler w/Flanges 2.25" O.D. (418)			710-0117	Hex Bolt 5/16-24 x 1.00" Lg.*	
	756-0311	Fl.-Idler w/Flanges 4.00" O.D. (419)		21	710-0591	Hex L.-Bolt 3/8-24 x 1.00" Lg.	
7	738-0609	Shld. Spacer .680 Dia. x .170 (418)		22	736-0169	L.-Wash. 3/8" I.D.*	
				23	736-0247	Bell.-Wash. .400" I.D. x 1.25" O.D.	
8	710-0427	Hex Bolt 3/8-16 x 2.00" Lg.*		24	15296	Open Bearing Housing 1.85" I.D.	
9	754-0154	"V"-Belt 1/2 x 37.0" Lg. (418)		25	09164	Reinforcement Plate	
	754-0284	"V"-Belt 5/8 x 41.0" Lg. (419)		26	741-0919	Ball Bearing .787" I.D. x 1.85"	
10	714-0126	#9 Hi-Pro Key 3/16 x 3/4" Dia.		27	712-0342	Hex Jam Nut 3/8-16 Thd. (418)	
11	738-0600	Spline Shaft 3.94" Lg.			712-0241	Hex Nut 3/8-14 Thd. (419)	
12	756-0442	5/8" Pulley .790" I.D. x 7.0" O.D. (418)		28	710-0514	Hex Bolt 3/8-16 x 1.0" Lg. (Grade 5) (418)	
	756-0440	5/8" Pulley .790" I.D. x 6.50" O.D. (419)		29	738-0414	Shld. Bolt .498" Dia.	
13	738-0129	Shoulder Bolt .498" Dia. x 2.0" Lg. (419)		30	736-0258	Fl.-Wash. .38" I.D. x 1.00" O.D.	
14	712-0123	Hex Nut 5/16-24 Thd.*		31	736-0316	Fl.-Wash. .78" I.D. x 1.59" O.D. (419)	
15	736-0119	L.-Wash. 5/16" I.D.*					

Model 420

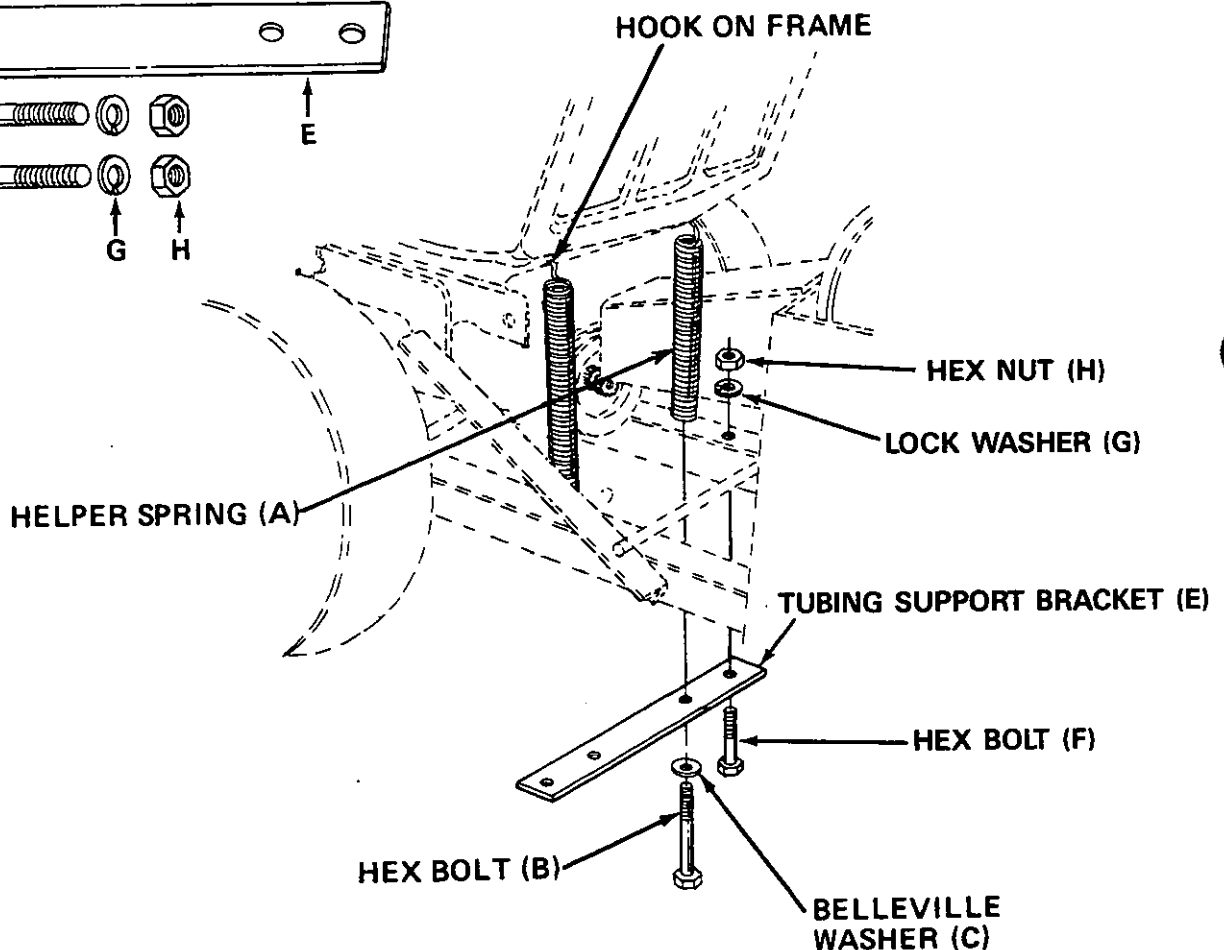
FOR ALL MANUAL LIFT TRACTORS

MANUAL LIFT HELPER SPRING KIT



PARTS IN KIT

A (2)	732-0468	Helper Springs
B (2)	710-0922	Hex Bolts 5/16-18 x 6.0" Lg.
C (2)	736-0242	Belleville Washers
D (2)	711-0509	Spring Inserts
E (1)	784-5072	Tubing Support Bracket
F (2)	710-0182	Hex Bolts 1/2-13 x 3.0" Lg.
G (2)	736-0921	Lock Washer 1/2" I.D.
H (2)	712-0206	Hex Nuts 1/2-13 Thd.



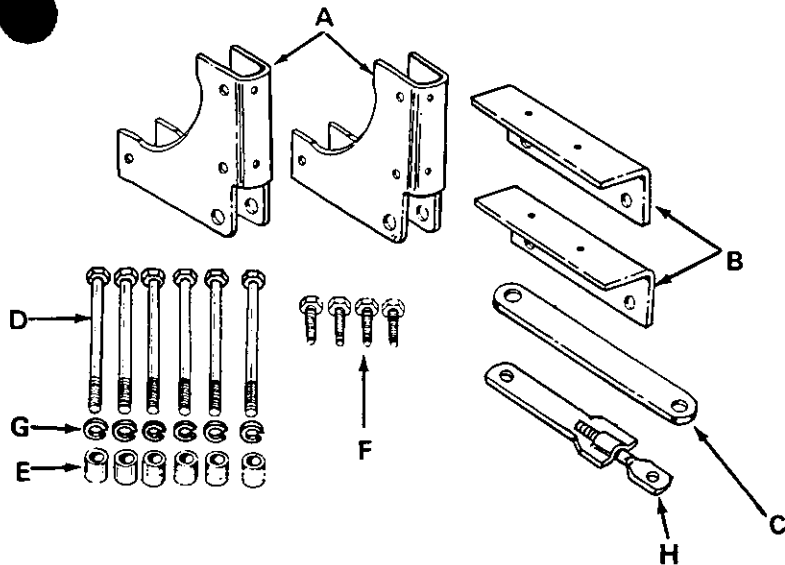
INSTALLATION INSTRUCTIONS

1. Place belleville washers (C) on hex bolts (B) (crown on side of washers go against the head of the bolts). Insert the bolts through the inside holes in the tubing support bracket (E), and start the bolts into the helper springs (A). DO NOT TIGHTEN.
2. Attach the tubing support bracket (E) to the bottom edge of the short (front) square tubing, by lifting up on the tubing and inserting hex bolts (F) up through the tubing support bracket and square tubing. Secure with lock washers (G) and hex nuts (H), tightening securely.
3. Attach the snow thrower to the tractor.
4. Hook the helper springs over the front edge of tractor frame.
5. Tighten the bolts on the helper springs until the springs bottom out on the tubing support bracket.

Model 421

FOR 982, 984, 986, 1912 and 1914 TRACTORS

HANGER BRACKET EXTENSION KIT



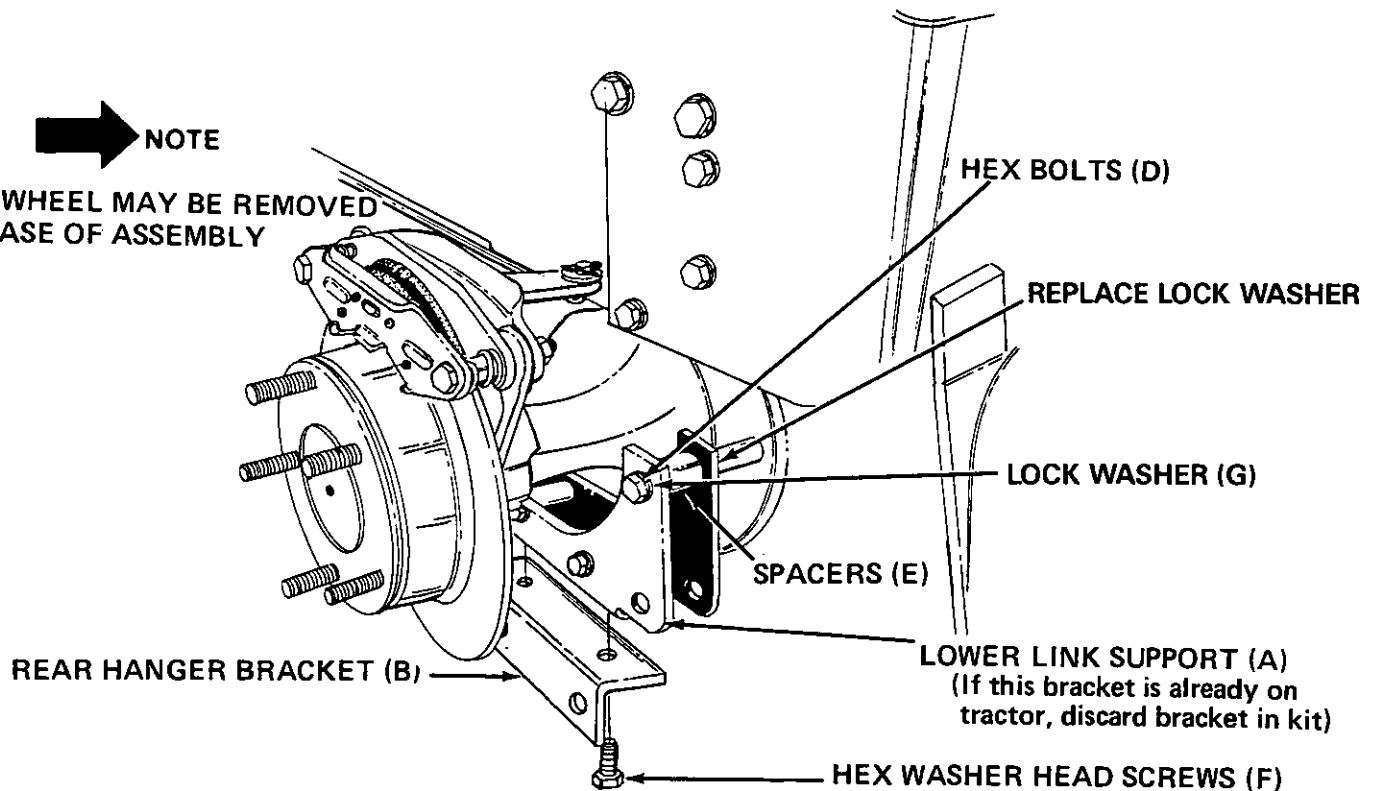
PARTS IN KIT

A (2)	703-0437	Lower Link Support Plates
B (2)	784-5094	Rear Hanger Brkt.
C (1)	784-5104	Lift Bracket 8-3/4" Lg.
D (6)	710-3080	Hex Bolt 3/8-16 x 4" Lg.
E (6)	711-3085	Support Spacers
F (4)	710-0601	Hex Wash. Hd. Self Tap Scr. 5/16-24 x .75" Lg.
G (6)	736-0169	Lock Washers 3/8" I.D.
H (1)	784-5236	Adjustable Link 7-3/8" Lg.



NOTE

REAR WHEEL MAY BE REMOVED
FOR EASE OF ASSEMBLY



INSTALLATION INSTRUCTIONS

NOTE: If lower link support plates are already on tractor, disregard steps 1 thru 4.

1. Place six lock washers (G) onto six hex bolts (D).
2. Remove three hex bolts and lock washers from one side of transaxle. Discard the hex bolts removed; retain lock washers for reassembly in step 3.
3. Place hex bolts (D) through lower link support plate and spacers (E). Place lock washers removed in step two on hex bolts, next to lower link support plate. Attach to transaxle, and tighten securely. Repeat steps 2 and 3 for other side of transaxle.
5. Attach rear hanger brackets (B) to lower support plates with self-tapping screws (F) as shown in illustration.
6. Follow steps 18 through 20 on page 9. Use the front hole in the rear hanger brackets when attaching the square tubing. Use the longer lift brackets provided in this kit instead of the ones provided with the snow thrower.

Cub Cadet Corporation Limited One Year Warranty For Outdoor Power Products

Cub Cadet Corporation's Promise To You

We promise you, the first user purchaser, that we will replace or repair any part or parts of your new outdoor power product which is defective in material or workmanship without charge for either parts or labor during the first year following delivery to you.

What You Must Do

We recommend that you take the product back to the dealership where you purchased it at your expense; however, you may also take it to the most convenient authorized Cub Cadet dealer. Transportation charges are your responsibility.

Replacement Parts Warranty

Cub Cadet parts which are furnished and installed under this warranty are themselves, within the coverage of this warranty for the duration of the original one year warranty period or for ninety days after installation, whichever period shall expire last.

What Is Not Covered

Tires and tubes are not covered by this warranty but are warranted by their manufacturer. Regular maintenance replacement items such as spark plugs, ignition points, condensers, filters, and lubricants and maintenance adjustments such as fuel system cleaning, engine tune-up, brake and/or clutch inspection or adjustment, when such replacement or adjustments are made as part of normal maintenance service are excluded from coverage. Any non-Cub Cadet product which you may have installed in or upon the product is also excluded.

No person is authorized to give any other warranties or to assume any other liabilities on the Company's behalf unless made or assumed in writing by the Company, and no person is authorized to give any warranties or to assume any liabilities on the seller's behalf unless made or assumed in writing by the seller.

Limitations On Our Responsibility

Please carefully note that this is a two-way agreement. We promise to make free repairs or replacements as stated, but you agree that except for our obligation to make good on this promise we shall not be responsible for any expenses or inconvenience which you might incur or experience with respect to our product, nor shall we be liable for defects, damage, or failures caused by unauthorized alterations, unreasonable use, accident, or abuse, including failure to provide reasonable and necessary maintenance, after our product has been delivered to you. Some states do not allow the exclusion or limitation of incidental or consequential damages, so the above limitation or exclusion may not apply to you. This warranty gives you specific legal rights, and you may also have other rights which vary from state to state.

Personal Use

The foregoing paragraphs constitute Cub Cadet Corporation's entire warranty with respect to any product purchased and used for personal, family, or household purposes as distinguished from commercial usage.

Commercial Use

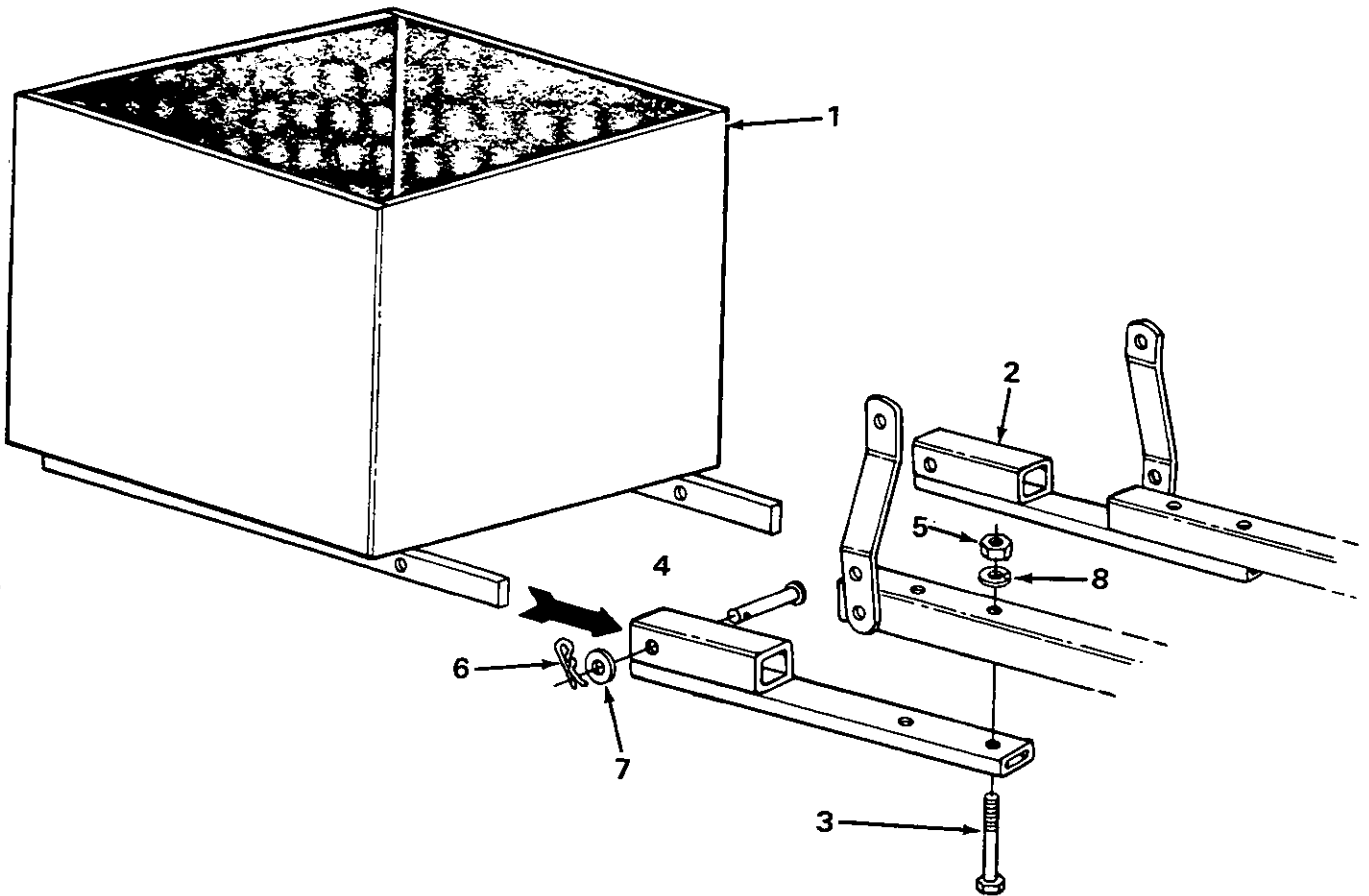
In the event our product is used for commercial purposes, INCLUDING FARMING OPERATIONS, the following additional limitations upon the application of this warranty will be applicable to such product.

THIS WARRANTY IS IN LIEU OF ALL OTHER WARRANTIES, EXPRESSED OR IMPLIED. WARRANTIES OR MERCHANTABILITY AND FITNESS FOR PARTICULAR PURPOSE ARE EXCLUDED, AS ARE ALL OTHER REPRESENTATIONS TO THE USER-PURCHASER, AND ALL OTHER OBLIGATIONS OR LIABILITIES, INCLUDING LIABILITY FOR INCIDENTAL AND CONSEQUENTIAL DAMAGES, ON THE PART OF THE COMPANY OR THE SELLER.

MODEL 396

FOR ALL TRACTORS

WEIGHT BOX KIT

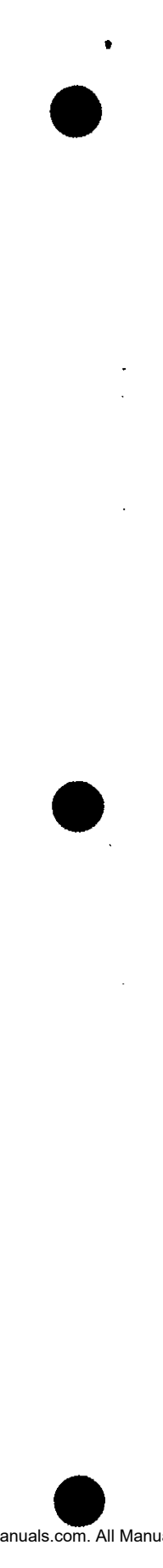


PARTS IN WEIGHT BOX KIT

REF. NO.	PART NO.	DESCRIPTION	QTY
1	784-5147	Weight Box Ass'y.	1
2	784-5208	Weight Box Support Ass'y.	1
3	710-0515	Hex Bolt 1/2-20 x 3.50" Lg.	4
4	711-0775	Clevis Pin .50" Dia. x 2.75" Lg.	2
5	712-0922	Hex Jam Nut 1/2-20 Thd.	4
6	714-0101	Inter Cotter Pin 1/2" Dia.	2
7	736-0272	Fl.-Wash. .510" I.D. x 1.0" O.D.	2
8	736-0921	L.-Wash. 1/2" I.D.	4

INSTALLATION INSTRUCTIONS

1. Place the weight box support assemblies (Ref. 2) under rear of square tubing at the rear of tractor.
2. Secure with four hex bolts (Ref. 3), lock washers (Ref. 8) and hex nuts (Ref. 5). See illustration above.
3. Position weight box assembly (Ref. 1) into weight box supports (Ref. 2).
4. Secure with two clevis pins (Ref. 4), flat washers (Ref. 7) and hairpin cotters (Ref. 6). See illustration above.
5. Fill weight box with desired substance, such as gravel, stone, etc.



Free Manuals Download Website

<http://myh66.com>

<http://usermanuals.us>

<http://www.somanuals.com>

<http://www.4manuals.cc>

<http://www.manual-lib.com>

<http://www.404manual.com>

<http://www.luxmanual.com>

<http://aubethermostatmanual.com>

Golf course search by state

<http://golfingnear.com>

Email search by domain

<http://emailbydomain.com>

Auto manuals search

<http://auto.somanuals.com>

TV manuals search

<http://tv.somanuals.com>