

Cuisinart®

INSTRUCTION AND
RECIPE BOOKLET



SMARTPOWER PREMIER DUET™ 600-WATT BLENDER/FOOD PROCESSOR

CBT-500FPC

For your safety and continued enjoyment of this product, always read the instruction book carefully before using.
Download from www.somanuals.com. All Manuals Search And Download.

IMPORTANT SAFEGUARDS

When using an electrical appliance, basic safety precautions should always be followed, including the following:

1. **READ ALL INSTRUCTIONS BEFORE USING.**
2. To protect against the risk of electrical shock, do not put motor base of blender in water or other liquid.
3. Close supervision is necessary when any appliance is used by or near children.
4. Unplug from outlet when not in use, before putting on or taking off parts, and before cleaning or removing contents from blender jar. **Never put hands into the blender jar or container, or handle the blades with appliance plugged in.**
5. Avoid contact with moving parts.
6. Do not operate any appliance with a damaged cord or plug or after the appliance malfunctions, or is dropped or damaged in any manner. Return appliance to nearest Cuisinart service facility for examination, repair, and/or mechanical or electrical adjustment.
7. The use of attachments, including canning or ordinary jars, not recommended or sold by Cuisinart may cause fire, electrical shock, or risk of injury to persons.
8. Do not use outdoors.
9. Do not let cord hang over edge of counter or table or touch hot surfaces.
10. **Keep hands and utensils out of jar while blending, to reduce the risk of severe injury to persons or damage to blender itself.** A rubber or plastic spatula may be used but must be used only when the blender is turned Off.
11. When blender is in On mode, and LED lights are flashing do not touch cutting assembly, interfere with blade movement, or remove blender jar cover. Accidentally touching a speed button may activate the blender.
12. **BLADES ARE SHARP. HANDLE CAREFULLY.**
13. To reduce the risk of injury, never place cutting assembly on base unless the blender jar is properly attached.
14. Always operate blender with the cover in place.

15. Never leave your blender unattended while it is running.
16. When blending HOT liquids, remove measured pour lid (centre piece of cover) to allow steam to escape.
17. Twist on locking ring firmly. Injury can result if moving blades accidentally become exposed.
18. Do not use an extension cord with this unit. Doing so may result in fire, electrical shock, or personal injury.
Regarding your cord set: A longer cord has been provided so that you will have flexibility in positioning your Cuisinart® SmartPower Premier Duet™ 600-Watt Blender/Food Processor near an electrical outlet. Exercise care when using the longer cord, to avoid entangling or tripping over the cord. The longer cord should be arranged so that it will not drape over the counter or tabletop, where it can be pulled on by children or tripped over. Excess cord should be stored in the cord storage area at the back of the blender base to avoid injury caused by the longer cord.
19. Wash the blender jar, cutting assembly, locking ring, and cover before first use.
20. **WARNING: TO REDUCE THE RISK OF ELECTRICAL SHOCK OR FIRE, DO NOT REMOVE THE BASE PANEL. NO USER-SERVICEABLE PARTS ARE INSIDE. REPAIR SHOULD BE DONE ONLY BY AUTHORIZED PERSONNEL.**
21. **WARNING: FLASHING LIGHT INDICATES READY TO OPERATE. DO NOT TOUCH BLADES**

SAVE THESE INSTRUCTIONS FOR HOUSEHOLD USE ONLY

NOTICE

This appliance is of the grounded type; the extension cord should be a grounded type 3-wire cord. If the plug does not fit, contact a qualified electrician. Do not modify the plug in any way.

WARNING - Improper use of the grounding can result in risk of electric shock.

UNPACKING INSTRUCTIONS

1. Place the gift box containing your Cuisinart® SmartPower Premier Duet™ 600-Watt Blender/Food processor on a flat, sturdy surface before unpacking.
2. Remove instruction booklet and other printed materials from top of corrugated insert.
3. Next, remove the top corrugated insert. It contains the adapter stem, and the slicing/shredding disc. Carefully remove slicing/shredding disc, as it is very sharp, then remove lid and adapter stem.
4. Remove the top corrugated insert containing the blender jar assembly. Be careful not to tip the jar when removing.
5. Remove the middle corrugated insert containing the fill cap.
6. Carefully lift blender base from box and set aside.
7. Remove food processor accessory and any additional literature from the box.

To assemble the blender, follow the Assembly instructions on page 4 of this instruction booklet. Replace all corrugated inserts in the box and save the box for repackaging. See the Features and Benefits section on page 4 for a listing of all blender parts.

Before using for the first time: Wash all parts according to the Cleaning and Maintenance section on page 6 of this booklet to remove any dust or residue.

INTRODUCTION

You'll be amazed at what this combination blender/food processor can do! The SmartPower Premier Duet™ is our most powerful blender and a full-featured 3-cup Cuisinart® Food Processor – in one! It lets you effortlessly blend smoothies, mix batter, crush ice, purée soup, chop nuts, slice potatoes, or shred cheese...all with easy push-button controls. Get ready to have more fun and get more creative in your own kitchen, with Cuisinart!

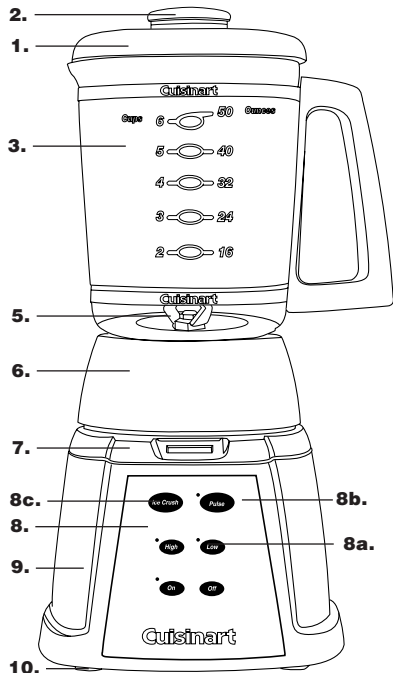
TABLE OF CONTENTS

Important Safeguards	2
Unpacking Instructions.....	3
Introduction	3
Blender Features and Benefits	4
Blender Use and Care	4
Assembly	4
Helpful Reminders	5
Operation	5
Quick Reference Guides	5
Cleaning and Maintenance.....	6
Do's and Don'ts	7
Food Processor Features	8
Food Processor – Getting Started	8
Assembly	8
Operating Controls	9
Chopping, Puréeing and Mixing	9
Slicing and Shredding	10
Quick Reference Guides.....	11, 12
Recipe Tips	11
Cleaning and Storing.....	13
Warranty Information	13
Recipes	14

HELPFUL REMINDERS

- Once the cover is in position, additional ingredients can be added during blending by simply lifting the measured pour lid, adding ingredients, and replacing the measured pour lid.

FEATURES AND BENEFITS



6. Locking Ring

Is self-aligning so that the glass blender jar slides easily into position.

7. Count-Up™ Timer

Five-minute timer times your recipes for perfect results.

8. Push-button Controls

a. High and Low Buttons

Choose High or Low speed to blend the ingredients to the desired consistency.

b. Pulse Button

Allows you to pulse at High or Low speeds, so you can blend ingredients only as much as needed.

c. Ice Crush Button

Press On to begin crushing. This button is preset to the best speed for crushing ice.

1. Cover

Just press on. Tightfitting seal resists leakage.

2. Measured Pour Lid

Allows you to measure and add ingredients without removing the cover.

3. 50-oz. (1.5 L) Glass Jar

Has a unique, sturdy, widemouth design.

4. Leakproof Rubber Gasket (not shown)

Holds the glass jar snugly in position for safe operation.

5. High-Quality Cutting Assembly with Patented Stainless Steel Blades

Is strong enough for all blender tasks, from ice crushing to chopping delicate herbs.

Note: Blades are sharp... handle carefully.

9. Heavy-duty Motor Base

Is so sturdy and stable, it will not “walk” on your counter – even during ice crushing! Used for both the blender jar and the food processor bowl.

10. Slip-proof Feet

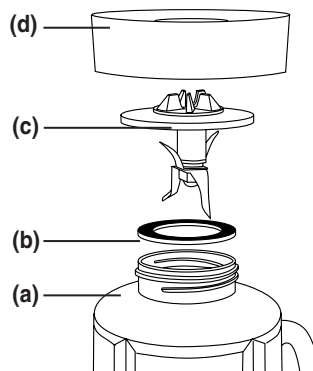
Prevent movement during use and prevent damaging marks on countertops or tables.

11. Cord Storage (not shown)

Keeps countertop safe and neat by conveniently storing excess cord.

USE AND CARE

ASSEMBLY



To use your Cuisinart® SmartPower Premier Duet™ 600-Watt Blender, begin by assembling the blender jar.

1. Turn the blender jar (a) upside down, and place it flat on a sturdy surface.
2. Position the rubber gasket (b) on the round opening on the bottom of the blender jar.
3. Turn the cutting assembly (c) upside down, and place the blade end in the blender jar opening.

Note: Blades are sharp... handle carefully.

4. Secure the rubber gasket and cutting assembly into position by placing the smaller opening of the locking ring (d) on top of the cutting assembly. Engage threads by twisting the locking ring clockwise until tightened. Make sure locking ring is tightly fastened to blender jar. Once assembled, turn the blender jar right-side up.
5. Push the cover onto the top of the blender jar. Push the measured pour lid into the cover.
6. Place the blender jar on the motor base so that the jar markings are facing you and the handle is positioned to one side.
7. Plug in power cord. Your blender is now ready to be used.

- Cover should always be in place while the unit is on.
- **Warning:** Do not place blender jar onto base while motor is running.
- Do not twist locking ring from blender jar when removing blender jar from base. Simply lift blender jar from motor base.
- Boiling liquid or solid frozen foods (with the exception of ice cubes or 1/2-inch [1.25 cm] pieces of frozen fruit) should never be placed in the blender jar.
- Do not place ice, frozen foods or very cold liquids into a blender jar which has come directly from a hot dishwasher.
- Do not place very hot liquids or foods into a blender jar which has come directly from the freezer. Boiling liquids should cool for 5 minutes before being placed in blender jar.
- Follow Cleaning and Maintenance instructions on page 7, prior to your first use.

OPERATION

1. Place the motor base of your Cuisinart® SmartPower Premier Duet™ 600-Watt Blender onto a flat, sturdy surface. It is important that the surface be clean and dry. Assemble the blender by following the assembly instructions. Once the jar is assembled and is in position on the motor base, plug the Cuisinart® SmartPower Premier Duet™ 600-Watt Blender into an electrical outlet.
2. Add all necessary ingredients to the blender jar, and replace the cover. You may add more ingredients by lifting the measured pour lid and dropping ingredients through the fill area. Replace the measured pour lid after adding ingredients. **Do not place hands into blender jar with blender plugged in.**

Note: Add liquid ingredients first, then follow with solid ingredients. This will provide more consistent blending and prevent unnecessary stress on the motor.

Note: To remove blender jar cover, lift edge of cover upwards. Lifting measured pour lid will not remove cover.

3. **TIMING YOUR RECIPES:** The SmartPower Premier Duet™ 600-Watt Blender/Food Processor features a 5-minute Count-Up™ Timer, so that you can time your recipes and guarantee perfect results. The timer begins counting from 0 as

QUICK REFERENCE GUIDE

To Activate Blender	Press On - The blender is in ON mode.
To Begin Blending	Press desired speed button.
To Change Speeds	Press desired speed button.
To Pulse	In On mode press Pulse. Press and release desired speed button as needed.
To Crush Ice	In ON or PULSE mode, press and release ICE CRUSH button as needed.
To Stop Blending (and Deactivate Blender)	Press Off button.
To Stop Blending (on High or Low Speeds)	Press HIGH or LOW button.
To Stop Blending (in ICE CRUSH Mode)	Release button.

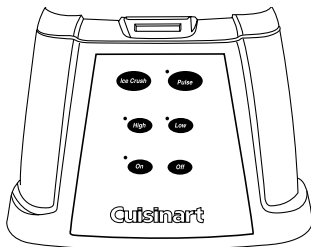
SPEED SELECTION GUIDE

Refer to this guide to choose the best speed for your desired result.

Ingredient/Recipe	Speed	Result
Reconstituting frozen juice concentrate	Low	Smooth and full-bodied
Mayonnaise	Low	Thick and creamy
Salad dressings	Low or High	Completely blended and emulsified
Nuts [shelled, 1/2 cup (125 ml) or less at a time]	Low Pulse to chop	Coarse to fine
Heavy or whipping cream	Low-pulse	Thick creamy topping
Bread, cookies or crackers [add 1/2" (1.25 cm) pieces, 1 cup (250 ml) or less at a time]	Low-pulse, then blend	Coarse to fine as desired
Grating/chopping citrus zest [add 1-2 tsps. (5-10 ml) sugar or salt from recipe]	Low-pulse/blend	Uniformly fine
Smoothies, shakes, health drinks	High	Smooth, creamy & thick
Baby food/fruit & vegetable purée	High	Smooth and creamy
Frozen cocktails	High	Thick and slushy
Hard cheeses	Low-pulse, then blend	Coarse to fine
Spices	Low or high pulse, then blend	Coarse to fine
Ice	Ice Crush, pulse or continuous	Coarse crush to snowy

soon as you push your desired speed: High, Low, Pulse or Ice Crush. The timer will continue to count up even if you change speeds during blending. You can pause the timer by pausing the blending process. Do this by pushing the button corresponding to the speed at which you are currently blending. For example: If you are blending in Low speed and you push the Low speed button, the blender will stop blending and the timer will stop counting, but the unit will remain on. To continue blending and timing your recipe, push one of the speed buttons. The timer will also stop counting when it reaches 5:00 minutes. The timer will reset itself only when the Off button is pushed.

4. **START BLENDING:** Press the On button. The red LED indicator light will illuminate, indicating that the blender is turned on but no speed has been selected.
5. **CHOOSE BLENDING SPEED:** Press HIGH or LOW button to select the speed at which you would like to blend ingredients. Both the On indicator light and the activated speed



indicator light will glow. The blender will now be functioning at the desired speed. It is possible to switch speeds without pressing the OFF button, by simply pushing the other speed button.

WARNING: FLASHING LIGHT INDICATES READY TO OPERATE. DO NOT TOUCH BLADES

Note: The Count-Up™ timer will begin counting when the desired speed button is pushed. The timer will continue to count if you change speeds.

6. **TO PAUSE OR STOP BLENDING PROCESS:**
 - a. **To Pause Blending Process:**

Push the button corresponding to the speed at which you are currently blending. For example: If you are blending on HIGH speed, push the HIGH speed button and the blender will stop blending, but the unit will remain on.

Note: By pausing the blending process, you will also pause the timer. The timer will pause until you start blending again.

b. To Stop Blending Process:

Push the OFF Button when you are finished with your recipe and would like to turn the blender off.

Note: When you push the Off button, the timer will stop counting and the LED display will reset to 0:00. When the blender is turned back on and a speed button is pushed, the timer will begin to count from 0:00.

7. **PULSE MODE:** The pulse mode allows you to create a burst of power for quick, efficient blending. To use the pulse function, push the On button and the red LED indicator light will illuminate. Push the Pulse button, and the pulse LED indicator light will blink. Push and release the desired speed button. Repeat as desired. You determine the duration of each pulse. While pulsing, the LED indicator light will glow. The pulse function can be used to break apart larger pieces of food or to control the texture of food when chopping. The pulse function is also effective in starting the blending process when you do not want continuous power, or when processing items that do not require an extended amount of blending.

Note: The timer will count when you push or hold down the Pulse button. The timer will pause when you release the Pulse button.
8. **TO CRUSH ICE:** The SmartPower Premier Duet™ 600-Watt Blender/Food Processor motor is strong enough to crush ice without liquid, at any speed. For your convenience, we have preset the best speed for ice crushing. To give you greater control, the ice crush function automatically operates as a pulse function. To crush ice, place ice cubes in the blender jar. Press the ON button. Press the ICE CRUSH button in short pulses until ice is crushed to desired consistency. See Recipe Tips section on page 11 for more details.

Note: The timer will count when you push or hold down the Ice Crush button. The timer will pause when you release the Ice Crush button.
9. **TO DISLodge FOOD:** Use a rubber or plastic spatula to help remove food lodged around the cutting assembly. **DO NOT**

USE SPATULA UNTIL YOU HAVE TURNED THE BLENDER OFF. Replace the cover and measured pour lid and continue blending, if necessary. Make sure spatula is not inside the blender jar before blending.

10. **WHEN FINISHED BLENDING:** Press the OFF button position and unplug the blender from the electrical outlet. Never remove the blender jar from the motor base until the blender is off. Do not twist locking ring from blender jar when removing jar from motor base. Simply lift blender jar from motor base. **Do not place hands into blender jar with blender plugged in.**

CLEANING AND MAINTENANCE

Always unplug your Cuisinart® SmartPower Premier Duet™ 600-Watt Blender/Food Processor from the electrical outlet before cleaning. The blender is made of corrosion-resistant parts which are easy to clean. Before first use and after every use, clean each part thoroughly. Periodically check all parts before reassembly. If any part is damaged or blender jar is chipped or cracked, DO NOT USE BLENDER.

Remove the blender jar from the motor base by lifting straight up and away. Twist off the locking ring by turning counterclockwise.

Remove the cutting assembly and rubber gasket. Wash in warm soapy water, rinse, and dry thoroughly.

Place the locking ring in the upper rack of the dishwasher or wash in warm water.

CAUTION: Handle the cutting assembly carefully. It is SHARP and may cause injury. Do not attempt to remove blades from cutting assembly.

Remove the blender jar cover and the measured pour lid. Wash in warm, soapy water; rinse and dry thoroughly, or place in upper rack of dishwasher. The blender jar must be washed in warm, soapy water and rinsed and dried thoroughly. The blender jar can also be placed upside down in dishwasher.

Finally, wipe the motor base clean with a damp cloth to remove any residue, and dry thoroughly. Never submerge the motor base in water or other liquid, or place in a dishwasher.

Tip: You may wish to clean your blender cutting assembly as

follows: Squirt a small amount of dishwashing liquid into assembled blender jar and fill halfway with warm water. Run on LOW for 15 seconds. Repeat, using clean tap water. Empty blender jar and carefully disassemble parts. Wash cutting assembly, gasket and locking ring in warm, soapy water. Rinse and dry all parts thoroughly.

DOs and DON'Ts WHEN USING THE BLENDER

Do:

- Make sure the electrical outlet is rated at the same voltage as that stated on the bottom of the blender motor base.
- Always use the blender on a clean, sturdy and dry surface.
- **Always add liquid ingredients to the blender jar first, then add remaining ingredients. This will ensure that ingredients are uniformly mixed.**
- Cut most foods into approximately 1/2 inch (1.25 cm) to 1 inch (2.5 cm) cubes to achieve a more uniform result. Cut all cheeses into pieces no larger than 1/2 inch (1.25 cm).
- Use the measured pour lid to measure liquid ingredients such as alcohol. Replace measured pour lid after ingredients have been added.
- Use a rubber or plastic spatula as needed, only when the blender is turned off. Never use metal utensils, as damage may occur to the blender jar or cutting assembly.
- Place cover on firmly. Always operate the blender with the cover on.
- Make sure locking ring is tightly attached to blender jar.
- Always remove locking ring, cutting assembly, and rubber gasket before cleaning.
- When scraping the blender jar with a spatula, remove the food from the sides of the blender jar and place food in the centre of the blender jar, over the cutting assembly.
- When chopping fresh herbs, garlic, onion, zest, bread crumbs, nuts, spices, etc., make sure the blender jar and cutting assembly are completely dry.

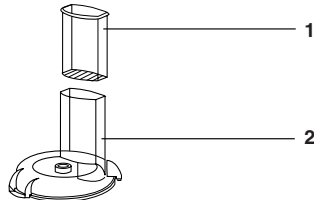
- If food tends to stick to the sides of the blender jar when blending, pulse in short bursts.
- Pulses should be short bursts. Space the pulses so the blades stop rotating between pulses.

Don't:

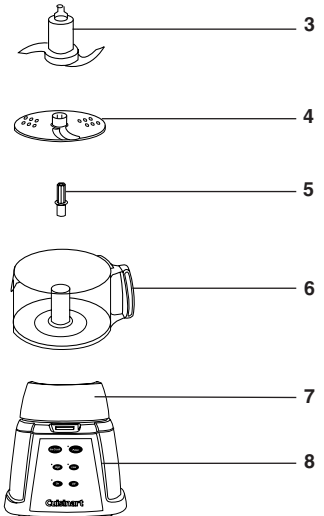
- Don't store food or liquids in your blender jar.
- Don't place cutting assembly and locking ring onto motor base without the blender jar attached.
- Do not attempt to mash potatoes, knead heavy dough, or beat egg whites. These can be done in the Food Processor.
- Don't remove blender jar while unit is on. Keep the blender jar cover on the blender jar while blending.
- Don't twist locking ring from blender jar when removing blender jar from motor base. Simply lift blender jar from motor base.
- Don't overprocess foods. Blender will achieve most desired results in seconds, not minutes.
- Don't overload blender. If the motor stalls, turn the blender off immediately, unplug the unit, and remove a portion of the food, then continue.
- Don't use any utensil inside the blender jar while the motor is on.
- Don't use any container or accessories not recommended by Cuisinart®. Doing so may result in injury.
- Don't place hands inside the blender jar when blender is plugged in.
- Don't add boiling liquids or frozen foods [except ice cubes or 1/2-inch (1.25 cm) pieces of frozen fruit] to glass blender jar. Boiling liquids should cool for 5 minutes before being placed in blender jar.

FOOD PROCESSOR FEATURES

1. **Food pusher with oil dispenser**
2. **Work bowl cover with feed tube**



3. **Stainless steel chopping blade**
4. **Stainless steel reversible slicing/shredding disc**
5. **Adapter stem**
6. **Clear work bowl**
7. **Gearbox collar**
8. **Motor base**
Used for both the blender jar and the food processor bowl



FOOD PROCESSOR GETTING STARTED STEP BY STEP

Please note that the bowl with collar will fit on the base in eight different positions. The handle can be in front or on either side and the feed tube in front, back, or on either side. Directions for use reference a certain position for instructional purposes only.

FOOD PROCESSOR ASSEMBLY

CHOPPING, PURÉEING AND MIXING

1. Hold gearbox collar in one hand and work bowl handle in the other. Twist bowl clockwise onto collar.
2. Place collar with bowl onto motor base with handle facing front.
3. Place chopping blade over shaft in work bowl. Chopping blade should slide easily to the bottom of the bowl. Lower blade will almost touch bottom of bowl.

BE SURE TO HANDLE THE METAL BLADE WITH CARE AS IT IS RAZOR SHARP!

4. Place food to be processed in work bowl. Put cover on work

bowl, with feed tube at about 11 o'clock. Turn the cover clockwise until it fits into position. Cover lock must click into locked position prior to use. If you have trouble fitting the cover on the work bowl, turn chopping blade hub slightly and replace cover.

- The food pusher fits in feed tube with more rounded side toward the outside of the bowl. **ALWAYS USE PUSHER TO GUIDE FOOD THROUGH FEED TUBE. NEVER USE YOUR FINGERS OR SPATULA.**
- Plug your SmartPower Premier Duet™ 600-Watt Blender/Food Processor into a wall outlet. Press the On Button and then push the High button to start chopping or puréeing. It is recommended that one hand be placed on the food processor lid while in use, to provide unit stability. If the machine doesn't start, make sure it is plugged in and the work bowl and cover are locked into place. The food processor will not start until the collar, work bowl and work bowl lid are locked into place. Nevertheless, always unplug the unit before placing hands into the food processor bowl.
Note: The motor base will start, but the food processor blade will not turn until assembled properly.

The reversible slicing/shredding disc can slice and shred a variety of fruits and vegetables, meats and cheeses. See Quick Reference guide for Preparing Foods for Slicing and Shredding, page 12.

FOOD PROCESSOR ASSEMBLY SLICING AND SHREDDING

- Hold collar in one hand and bowl handle in the other. Twist bowl clockwise onto collar.
- Place collar with bowl onto motor base with handle facing front.
- Place adapter stem onto the centre shaft. **To slice:** Attach disc to stem with the raised edge of slicer on top. **To shred:** Attach disc to stem with the raised shredding slots on top. Place the slicing/shredding disc onto shaft with the desired cutting blade facing up. Be sure to handle the metal blade with care, as it is razor sharp.
- Place cover on work bowl, with feed tube at about 11 o'clock. Turn cover clockwise until it fits into position. Insert food in feed tube.
- Hold pusher with more rounded side toward the outside of the bowl and insert it in feed tube over food. Always use

pusher to guide food through feed tube. Never use your fingers or spatula.

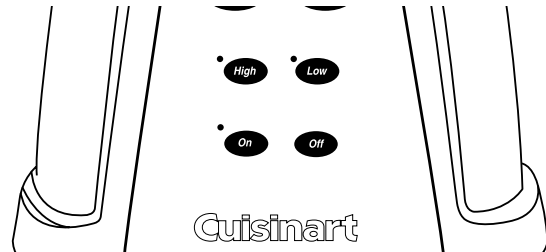
- Plug your Cuisinart® SmartPower Premier Duet™ 600-Watt Blender/Food Processor into a household electrical outlet.
- To remove cover, unlock it by turning it counterclockwise, then lift it straight up.

OPERATING CONTROLS

Your SmartPower Premier Duet™ appliance uses the high speed with the Food Processor attachment. This button is the perfect speed for all your food processing tasks. Always use this speed when using the food processor. You may also use the Pulse button set on High with this function for pulse-chopping.

To use your food processor, make sure that the bowl is assembled properly and the blade or slicing/shredding disc and the cover are locked into place.

When you use the control panel, the LED will light next to each button you press.



Press the On button. For continuous operation, press the High button. Motor will start if you have followed assembly instructions. To turn motor off, press the High button again or the Off button.

For on-off operation, called pulse-chopping or pulsing, press the On button, press the Pulse button, and then press and release the High button the desired number of times. Motor runs as long as you hold the High button down. The motor stops when you release control switch. Try it a few times.

You control the duration and frequency of pulses by the length of time you hold the High button down and the rate at which you press it. Allow enough time between pulses to let food in work bowl fall to bottom.

Always use the High button for pulse/chopping. Never turn cover back and forth to start and stop processor.

CHOPPING, PURÉEING AND MIXING

Refer to Food Processor Assembly instructions on page 8.

1. Remove cover and put food into work bowl. First, cut food into $\frac{3}{4}$ " (1.88 cm) pieces. You will get a more even chop if you start with pieces that are all the same size. Put pieces into work bowl with metal blade in place. You can put in up to 1 cup (250 ml) of food at a time. If you want to process more, do it in batches.
2. Put on cover and lock it. Insert pusher. It is recommended that one hand be placed on the food processor lid while in use, to provide unit stability. Press the On button, press the Pulse button, and press the High button (to pulse), then release. Repeat two to three times. Each time blade stops, let food pieces drop to the bottom of bowl before pulsing again. This ensures that the blade will chop them at every pulse. Watch what happens to the food. With pulse/chopping technique, you can get an even chop without danger of overprocessing. Check texture by looking through work bowl. Be careful not to overprocess. For a coarse chop, pulse only a few times.
3. If you want a finer chop or purée, press the On button and then press the High button and let machine run continuously until the food is chopped as fine as you want it. Check frequently through clear cover or bowl to avoid chopping too fine. Use a plastic spatula to scrape down any pieces that stick to inside of bowl. Onions and other food with a high water content turn into a smooth purée very quickly. Do not overchop – look at food frequently through work bowl.

To purée, follow same procedure as for chopping, but let machine run until food is a smooth purée.

New users are often surprised at how fast the processor works. You will quickly get used to its great speed.

These are some conditions that affect your results:

- Size of pieces you put in bowl – all should be about the same size.
- Amount of food you process – don't add too much.
- Type of processing you choose – continuous or pulse/chopping.

ADDING FOOD WHILE PROCESSING

To add liquid while the machine is running, pour it through open feed tube. This is especially useful when making mayonnaise or dressings.

A small hole in the pusher allows you to add liquids in a very slow, steady stream – useful when making sauces.

When you want to add small pieces of food like cheese, meat or garlic cloves while machine is running, drop them through open feed tube.

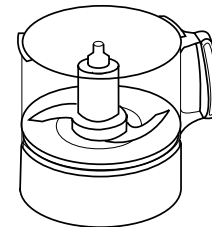
To prevent spills when adding sugar and other dry ingredients, use a funnel.

REMOVING PROCESSED FOOD

Before removing processed food, turn dial to Off and wait for blade to stop spinning. Then remove cover by turning it counterclockwise. Never try to remove cover and work bowl together; this can damage work bowl.

It is important **not** to let metal blade fall out of work bowl as you empty it. Here are two ways to prevent it from falling out:

1. Before tilting bowl, use spatula to remove food from around blade. Carefully remove blade by the plastic hub.



2. Hold top of blade in place with finger or spatula while pouring out processed food.

At this point, you may either lift the work bowl off motor base, or hold the collar at the base and turn the handle of the bowl counterclockwise and lift blade straight up.

Your SmartPower Premier Duet™ 600-Watt Blender/Food Processor makes many everyday food preparation tasks much easier and faster. Follow these guidelines to get best results when using metal blade with food you prepare most often.

NOTE: Occasionally, a piece of food may become wedged between

QUICK REFERENCE GUIDE – PROCESSING WITH CHOPPING BLADE

THE FOOD	HOW TO PREPARE IT
Fruit and vegetables	Peel and core if necessary. Remove large hard pits and seeds. Cut into $\frac{3}{4}$ " (2 cm) pieces and process up to 1 cup (250 ml) at a time.
Meat, poultry and fish	These should be very cold but not frozen. First, cut into $\frac{3}{4}$ " (2 cm) pieces. Put up to $\frac{1}{2}$ pound (250 g) in work bowl. If you want to chop or purée more, do it in batches of not more than $\frac{1}{2}$ pound (250 g) each. Pulse/chop or run continuously until desired consistency is reached. Check texture every 2 or 3 seconds to avoid overprocessing.
Bread, crackers or cookies	Break into 1" (2.5 cm) pieces and process continuously until texture for crumbs is fine. For seasoned crumbs, chop with herbs. For buttered crumbs, dribble melted butter through feed tube while processing – 1 teaspoon (5 ml) melted butter for each slice of bread.
Crumb crusts	Chop crackers or cookies as described in preceding paragraph. Add sugar, spices and butter and cut into pieces, as specified by recipe. Pulse/chop until combined.
Hard cheese grated	If it's too hard to cut with a knife, don't try to chop it – it may damage blade. First cut into $\frac{3}{4}$ " (2 cm) pieces. Pulse/chop until pea-sized, then process continuously. You can chop it as coarse or as fine as you want. Simply run machine longer for finer chop. Process up to 3 ounces (85 g) at one time.
Whipping cream	Processor-whipped cream works well for most purposes. It is excellent as a topping for desserts or hot drinks. Cream must be at refrigerator temperature. You can whip up to 1 cup (250 ml) at a time.
Fresh herbs	Work bowl and metal blade must be clean and dry. Remove stems; use leaves only. Dry herbs completely. The more herbs you chop at once, the finer chop you can get. Chopped herbs keep for several days in the refrigerator in airtight bags, or can be frozen for months.

the blade and the work bowl. If this happens, remove the cover, lift the blade out carefully and remove the wedged piece. Empty the bowl, reinsert the blade and lock the cover into place. Process smaller amounts of the food at one time.

SLICING AND SHREDDING

1. Assemble clear work bowl on collar and base in the usual way. (See steps 1 and 2 on page 8.)
2. Pick up adapter stem. Hold stem by side that has the octagon shape (eight-sided) and push rounded side down as far as it will go on motor shaft.
3. Place the reversible slicing/shredding disc with the desired cutting edge facing up onto the adapter stem. Always handle slicing/shredding disc by the rim. Never touch sharp cutting blades.
4. Put cover on work bowl, lock it into place by twisting it clockwise and insert food in feed tube.
5. Insert pusher. Turn to Pulse. Use moderate pressure to push down on pusher with one hand, while using your other hand to push the On button, Pulse button, and hold down the High button. Slicing and shredding will only take a few seconds. Release High button. Wait until disc stops spinning before removing cover. When it stops, remove cover before removing work bowl. Never try to remove cover and work bowl together; this could damage work bowl.
6. Remove slicing/shredding disc before removing work bowl. To remove it, grasp flat top section of adapter stem and lift it straight up. Holding work bowl collar, turn work bowl counterclockwise and lift it straight up to remove it from base.

RECIPE TIPS FOR USING YOUR NEW BLENDER/FOOD PROCESSOR:

Chopping Nuts

Pulse $\frac{1}{2}$ cup (125 ml) of nuts (shells removed) and chop 4-5 times. Turn blender off; scrape blender jar with spatula. Turn blender on, Pulse and pulse 2-3 times. Turn blender Off. Pulse fewer times for more coarsely chopped results. For best results, process no more than 1 cup (250 ml) at a time.

Bread, Cookie or Cracker Crumbs

For best results, use day-old bread (drier bread works best). Break bread slices into $\frac{1}{2}$ " (1.25 cm) pieces, and process no more than 1 cup (250 ml) of pieces at a time on mix for 5-10 seconds. Crackers and cookies should also be broken into $\frac{1}{2}$ " (1.25 cm) pieces; process 1 cup

QUICK REFERENCE GUIDE – PROCESSING WITH THE SLICING/SHREDDING DISK

Food	To Prepare for Slicing	To Prepare for Shredding
Long narrow foods like carrots, celery, cucumbers, and zucchini	Cut into even lengths about 1" (2.5 cm) shorter than height of feed tube. Stand pieces upright in feed tube, flat side down, adding enough pieces so they cannot tilt.	For long shreds, cut into largest size that will fit sideways in feed tube. Stack in feed tube to about 1" (2.5 cm) from top. For shorter shreds, stand pieces upright in feed tube, flat side down (as described in slicing column).
Apples, onions, potatoes, peppers, tomatoes and other large round fruits and vegetables	Cut one end flat, then cut lengthwise in halves or quarters. Pack solidly in feed tube to prevent tilting. Fill feed tube to about 1" (2.5 cm) from top. Use light to moderate pressure.	Prepare same as for slicing. Place in feed tube sideways for longer shreds, or upright for shorter shreds.
Strawberries, mushrooms, radishes and other small, round fruits and vegetables	Slice off top and bottom, leaving centre section. Place in feed tube, flat side down.	Radishes shred well. Prepare same as for slicing.
Cabbage, iceberg lettuce	Cut off top and bottom, leaving centre section. Cut into wedges to fit feed tube upright. Remove core. Cut top and bottom pieces in similar wedges.	Prepare same as for slicing
Uncooked meat and poultry [8 oz. (240 g) maximum at one time]	Use boneless cuts. Cut into feed-tube lengths. Remove skin if desired. Wrap in plastic wrap and put in freezer until it feels hard when you try to squeeze it but is still easily pierced through with tip of sharp knife. Remove plastic wrap and stand upright in feed tube. Note: Chicken and beef for stir-fries should be sliced with the grain. Boned, skinned chicken breast will usually fit when frozen as described above and cut in half crosswise.	Prepare same as for slicing.
Soft cheeses like mozzarella	Do not slice.	Chill in freezer for 5 minutes before processing. Cut into pieces to fit feed tube. Stand pieces in feed tube and use light pressure on pusher . Use 4 oz. (115 g) maximum.
Medium-hard cheeses like Cheddar and Swiss	Cut into pieces to fit feed tube. Stand pieces in feed tube and use light pressure on pusher.	Prepare same as for slicing. Chill 5 minutes in freezer before processing. Use 4 oz. (115 g) maximum.
Hard cheeses like Parmesan		Do not shred.

(250 ml) at a time on mix for 10-15 seconds. Turn blender dial to Off. Continue on Page 13....

Crushing Ice (Blender Jar Only)

Add up to 10 large ice cubes to blender jar. Press the Ice Crush button, using short bursts, 10 times or until cubes are the consistency of snow. Turn blender off. Pulse fewer times if coarsely chopped ice is desired.

Grating Citrus Zest

For best results, blender jar and cutting assembly must be clean and dry. Remove zest from fruit in strips (using vegetable peeler). Use no more than 8 strips at a time (zest of one medium lemon). Cut strips in half. Add strips and 1 teaspoon (5 ml) sugar (from recipe) to the blender jar. Blend on High for 15-20 seconds. Turn blender off.

Grinding Hard Cheese

Cut cheese into ½" (1.25 cm) pieces. Blend on High for 30 seconds. Turn blender off. For best results, grind no more than 3 ounces (90 g) of cheese at a time.

Grinding Spices

For best results, blender jar and cutting assembly must be clean and dry. Add ¼ -½ cup (50-125 ml) of spices, seeds or peppercorns to blender jar. Blend on High for 30-35 seconds. Turn blender off.

Whipping Cream

Whip 1 cup (250 ml) of cream (whipping or heavy cream) at a time. Blend on Low, and process for 45-60 seconds or until creamy and smooth. If making sweetened cream, add sugar after 10 seconds. Turn blender off. Makes about 1 cup (250 ml).

Puréeing Sun-Dried Tomatoes

Rehydrate 1 ounce (30 g) of tomatoes in 1 cup (250 ml) boiling water. Allow to sit for 10 minutes or until softened. Add tomatoes and water to blender jar. Cover and pulse on High 5 times; then run continuously on food processor speed for 15-20 seconds. Turn blender off. Drain in fine strainer if desired. Makes about ½ cup (125 ml) of puréed tomatoes.

CLEANING AND STORING YOUR SMARTPOWER PREMIER DUET™ FOOD PROCESSOR ATTACHMENTS

Store the chopping blade and slicing/shredding disc as you would sharp knives – out of the reach of children.

The work bowl, cover, pusher, chopping blade, and slicing/shredding disc are top-shelf dishwasher safe. When placing parts in your dish-

washer, insert the work bowl upside down. Remember where you place the sharp blade and disc, and be certain to unload the dishwasher carefully.

The gearbox collar is not immersible. To clean, just wipe with a damp cloth.

If you wash the blades and discs by hand, do it carefully. Avoid leaving them in soapy water where they may disappear from sight. To clean the metal blade, fill the work bowl with soapy water, hold the blade by its plastic centre and move rapidly up and down on the centre shaft of the bowl. Use of a spray hose is also effective. If necessary, use a brush.

The work bowl should not be placed in a microwave oven.

WARRANTY LIMITED THREE-YEAR WARRANTY

This warranty supersedes all previous warranties on the Cuisinart® Supreme™ Commercial Quality Ice Cream Maker. This warranty is available to consumers only. You are a consumer if you own a Cuisinart® Supreme™ Commercial Quality Ice Cream Maker that was purchased at retail for personal, family or household use. This warranty is not available to retailers or other commercial purchasers or owners.

We warrant that your Cuisinart® Supreme™ Commercial Quality Ice Cream Maker will be free of defects in material or workmanship under normal home use for three years from the date of original purchase.

For warranty purposes, we would like to suggest that you register your product on-line at www.cuisinart.ca to facilitate verification of the date of original purchase. However, should you not wish to register on-line we recommend that you maintain original receipt indicating proof of purchase. In the event that you do not have proof of purchase date, the purchase date for purposes of this warranty will be the date of manufacture.

When calling our Authorized Service Centre for in warranty service please make reference to your model number and the manufacturing date code. This information can be found in the rating area on the body or underneath the base of your unit. The model number will follow the word Model: CBT-500FPC. The manufacturing date code is a 4 or 5 digit number sometimes followed by a letter. Example, 40630K would designate year, month & day (2004, June 30th).

If your coffeemaker should prove to be defective within the warranty period, we will repair it or, if we think it necessary, replace it. To obtain warranty service, please call our Consumer Service Centre toll-free at 1-800-472-7606 or write to:

Cuisinart Canada
156 Parkshore Drive
Brampton, Ont. L6T 5M1.

To facilitate the speed and accuracy of your return, please also enclose \$10.00 for shipping and handling of the product. Please also be sure to include a return address, description of the product defect, product serial number, and any other information pertinent to the product's return. Please pay by cheque or money order.

NOTE: For added protection and secure handling of any Cuisinart® product that is being returned, we recommend you use a traceable, insured delivery service.

Cuisinart cannot be held responsible for in transit damage or for packages that are not delivered to us. Lost and/or damaged products are not covered under warranty.

Your Cuisinart® product has been manufactured to strict specifications and has been designed for use with the Cuisinart® authorized accessories and replacement parts for your model.

These warranties expressly exclude any defects or damages caused by accessories, replacement parts or repair service other than those that have been authorized by Cuisinart. These warranties exclude all incidental or consequential damages.

BEFORE RETURNING YOUR CUISINART PRODUCT

If you are experiencing problems with your Cuisinart® product, we suggest that you call our Consumer Service Centre at 1-800-472-7606 before returning the product for servicing. Often, our Consumer Service Representatives can help solve the problem without having the product serviced. If servicing is needed, a Representative can confirm whether the product is under warranty and direct you to the nearest service location.

***Important:** If the nonconforming product is to be serviced by someone other than Cuisinart's Authorized Service Centre, please remind the servicer to call our Consumer Service Centre to ensure that the problem is properly diagnosed, the product serviced with the correct parts, and to ensure that the product is still under warranty.

RECIPES

SMOOTHIES, SHAKES, FRAPPÉS, FROZEN BEVERAGES

FRESH FRUIT SMOOTHIE

Layers of fresh fruit blend in just seconds to make this all-fruit smoothie.

Makes six 8-ounce (240 ml) servings

- ½ **cup (125 ml) orange juice**
- 1 cup (250 ml) cantaloupe, cut into 1" (2.5 cm) pieces**
- 1 cup (250 ml) raspberries (fresh or frozen)**
- 1 cup (250 ml) pineapple chunks [1" (2.5 cm) pieces] (fresh or canned, drained)**
- 1 cup (250 ml) navel orange segments, cut into 1" (2.5 cm) pieces**
- 1 cup (250 ml) strawberries, hulled and halved**
- 1 cup (250 ml) mango chunks [1" (2.5 cm) pieces]**
- 1 medium banana, cut into ½" (1.25 cm) slices**
- 1 cup (250 ml) ice cubes (about 6 standard)**

Layer the ingredients in the blender jar in the order listed. Place cover on blender jar. Turn blender On. Press High and blend for 20 to 30 seconds until smooth. Turn blender off.

Note: The riper the fruit, the sweeter the smoothie.

Nutritional information per serving:

*Calories 101 (4% from fat) • carb. 25g • pro. 2g • fat 0g
• sat. fat 0g • chol. 0mg • sod. 10mg • calc. 35mg • fiber 4g*

FRUIT AND YOGURT SMOOTHIE

A delicious drink for breakfast on the run.

The fruits may be varied to suit your own taste.

Add more calcium by using calcium-enriched orange juice.

Makes 48 ounces (1.4 L)

- 2 cups (500 ml) pineapple chunks**
- 1 medium banana, cut in 1" (2.5 cm) pieces**
- 1 cup (250 ml) orange juice**
- 1 cup (250 ml) fat-free vanilla yogurt**
- 2 cups (500 ml) frozen strawberries (do not thaw)**

Place all ingredients in blender jar in order listed. Turn blender On. Press High and blend for about 20 seconds. Serve immediately or refrigerate.

*Nutritional information per serving (based on 6 servings):
Calories 105 (4% from fat) • carb. 25g • pro. 3g • fat 0g
• sat. fat 0g • chol. 1mg • sod. 23mg • calc. 76mg • fiber 2g*

TO-FRUITI SMOOTHIES

The much-maligned tofu is a good source of protein and a nice alternative to using dairy products in smoothies.

Change the fruits to suit your own taste.

Makes 48 ounces (1.4 L)

- 1 cup (250 ml) mango chunks [1" (2.5 cm) pieces], about 12 ounces (340 ml)**
- 1 medium banana, cut in 1" (2.5 cm) pieces**
- 1 cup (250 ml) orange, apple or other fruit juice**
- 1 cup (250 ml) soy milk/beverage**
- 1 tablespoon (15 ml) vanilla extract**
- 1 cup (250 ml) silken tofu, cut into 1" (2.5 cm) pieces**
- 2 cups (500 ml) frozen strawberries (do not thaw)**

Place all ingredients in blender jar in order listed. Turn blender On. Press High and blend until smooth and creamy, about 20 seconds. Serve immediately or refrigerate.

*Nutritional information per serving
(based on 6 servings): Calories 135 (18% from fat) • carb. 25g • pro. 5g • fat 2g
• sat. fat 0g • chol. 0mg • sod. 10mg • calc. 63mg • fiber 4g*

MONKEY-DOODLE SHAKE

Chocolate frozen yogurt and bananas are combined to make this creamy shake.

Makes 4 servings

- 2 cups (500 ml) lowfat milk**
- 2 bananas, peeled, cut into 1" (2.5 cm) pieces**
- 2 cups (500 ml) lowfat chocolate frozen yogurt**
- 2 tablespoons (30 ml) chocolate syrup**

Place all ingredients in blender jar in order listed; cover blender jar. Turn blender On. Press High and blend until smooth, creamy and thickened, about 40 to 50 seconds. Serve immediately in tall glasses with straws.

*Nutritional information per serving:
Calories 257 (18% from fat) • carb. 46g • pro. 8g • fat 5g
• sat. fat 3g • chol. 19mg • sod. 95mg • calc. 216mg • fiber 2g*

MOCHA FRAPPÉ

Makes 2 servings

- 8 ounces (240 ml) espresso* or double-strength coffee, chilled**
- ¼ cup (50 ml) chocolate sauce**
- 2 tablespoons (30 ml) flavoured syrup – vanilla, hazelnut, almond, raspberry, etc.**
- 15 ice cubes**

Place all ingredients in blender jar in order listed. Cover blender jar. Turn blender On. Press High and blend until smooth and slushy, about 30 to 40 seconds. Serve immediately in tall glasses. Garnish with a dollop of whipped cream if desired.

*Nutritional information per serving:
Calories 138 (0% from fat) • carb. 33g • pro. 1g • fat 0g
• sat. fat 0g • chol. 0mg • sod. 37mg • calc. 6mg • fiber 0g*

For a Creamy Frappé, add 2 tablespoons (30 ml) half-and-half before blending.

* May be prepared from instant espresso powder.

FROZEN MANGO MARGARITAS

Makes 6 servings

- 2 cups (500 ml) mango cubes (fresh or frozen, partially thawed)**
- ½ cup (125 ml) tequila**
- ¼ cup (75 ml) Triple Sec or Cointreau®**
- ¼ cup (75 ml) fresh lime juice**
- 4 tablespoons (60 ml) superfine sugar**
- 2 cups (500 ml) ice cubes**

Place all ingredients in blender jar in order listed. Place cover on blender jar. Turn blender On. Press High and blend for 30 to 40 seconds until the mixture is smooth and slushy in texture. Turn blender off. Serve immediately.

Nutritional information per serving:
Calories 158 (1% from fat) • carb. 23g • pro. 0g • fat 0g
• sat. fat 0g • chol. 0mg • sod 5mg • calc. 9mg • fiber 1g

Note: For an alcohol-free “Margarita,” substitute 8 ounces fruit juice, such as apricot nectar or cranberry juice, for the tequila and Triple Sec.

Cointreau® is a registered trademark owned by the Cointreau Corporation.

FROZEN COSMOPOLITAN

Can you improve on a new classic? Of course!
Try our Frozen Cosmopolitan.

Makes 8 servings

- 2 cups (500 ml) cranberry juice**
- 10 ounces (300 ml) chilled vodka (may use citrus-flavoured)**
- 2 ounces (60 ml) lime juice**
- 2 ounces (60 ml) Triple Sec or Cointreau®**
- lime twists for garnish**

Pour the cranberry juice into ice cube trays and freeze until solid. Place the vodka, lime juice, Triple Sec and frozen cranberry cubes

in the blender jar in order given. Turn blender On. Press High and blend for 25 to 30 seconds until completely slushy. Serve immediately in chilled martini or other stemmed glasses, garnished with a twist of lime.

Nutritional information per serving:
Calories 142 (1% from fat) • carb. 12g • pro. 0g • fat 0g
• sat. fat 0g • chol. 0mg • sod. 2mg • calc. 3mg • fiber 0g

Cointreau® is a registered trademark owned by the Cointreau Corporation.

FROZEN DAIQUIRI

A classic frozen cocktail.

Makes 4 servings

- 6 ounces (170 ml) frozen limeade**
- 5 ounces (145 ml) light rum**
- 3 cups (750 ml) ice cubes**

Place ingredients in blender jar in order listed. Cover blender jar. Turn blender On. Press High and blend until slushy, about 30 to 40 seconds. Turn blender off. Serve immediately.

Nutritional information per serving:
Calories 92 (0% from fat) • carb. 14g • pro. 0g • fat 0g
• sat. fat 0g • chol. 0mg • sod. 2 mg • calc. 2mg • fiber 0g

For Frozen Fruit Daiquiris, add 2-3 cups (500-750 ml) fruit (strawberries, peaches, melon, etc.) cut into 1" (2.5 cm) pieces. For a more pronounced fruit flavour, freeze additional fruit in cubes and use in place of ice cubes.

SOUPS, SPREADS, DIPS AND MORE

For best results when blending fresh herbs, the herbs, blender jar and cutting assembly must be dry and clean.

CHILLED GAZPACHO

A Cuisinart favourite, made with fresh, ripe summer tomatoes,
Chilled Gazpacho is perfect on a hot, summer night.

Makes 8 servings, about 6 ounces (170 ml) each

- 1-2 cloves garlic, peeled**
- 3 cups (750 ml) tomato or vegetable juice cocktail, divided**
- 1 large rib celery, peeled, cut into 1" (2.5 cm) pieces**
- 1 large cucumber, peeled, halved lengthwise, seeded, cut into 1" (2.5 cm) pieces**
- ½ medium green bell pepper, cored, seeded, cut into 1" (2.5 cm) pieces**
- ½ medium red bell pepper, cored, seeded, cut into 1" (2.5 cm) pieces**
- 1 large jalapeño pepper, cored, seeded, cut into ½" (1.25 cm) pieces**
- 6 green onions, trimmed, cut into ½" (1.25 cm) pieces**
- 4 medium tomatoes, cored, seeded, cut into 1" (2.5 cm) pieces**
- 3 tablespoons (45 ml) sherry vinegar or lemon juice**
- ½ teaspoon (2 ml) kosher salt**
- ¼ teaspoon (1 ml) freshly ground black pepper**

Place garlic in blender jar; cover jar. Press Pulse; press Low to chop garlic, 10 times. Add 1 cup (250 ml) tomato juice/vegetable juice cocktail to blender jar along with celery, cucumber, green pepper, red pepper, jalapeño pepper, and green onions. Turn blender On and blend on Low until vegetables are medium-finely chopped, about 5 to 10 seconds. Transfer to a large serving bowl. Add remaining tomato juice/vegetable cocktail to blender jar with fresh tomatoes.

With blender set on Low, 10 times to chop, or blend continuously if a smoother gazpacho is preferred.

Add to the bowl of vegetables with the remaining juice. Season with sherry vinegar or lemon juice, salt and pepper. Chill before serving.

Nutritional information per serving:
Calories 51 (5% from fat) • carb. 11g • pro. 2g • fat 0g
• sat. fat 0g • chol. 0mg • sod. 429mg • calc. 28mg • fiber 2g

CHILLED MELON AND MANGO SOUP

Sweet cantaloupe and mango combine with orange juice for this refreshing cold soup. Perfect for a summer brunch or as a refreshing, cool ending to a warm-weather meal.

Makes 8 servings

- 2-3 slices fresh ginger (each about the size of a quarter)**
- 1 mango, about 12-14 ounces (360-420 g), peeled, seeded, cut into 1" (2.5 cm) pieces**
- 1 cantaloupe, about 3 pounds (1.5 kg), peeled, seeded, cut into 1" (2.5 cm) pieces**
- ½-1 cup (125-250 ml) orange juice**

Place ginger, mango, melon and ½ cup (125 ml) orange juice in the blender jar; cover. Turn blender On. Press Low and blend until smooth, about 20 to 30 seconds. Add as much remaining orange juice as necessary to adjust consistency to that of a thick soup. Chill completely before serving. May be garnished with fresh raspberries or blueberries and a sprig of mint.

Nutritional information per serving:
Calories 68 (2% from fat) • carb. 17g • pro. 1g • fat 0g
• sat. fat 0g • chol. 0mg • sod. 14mg • calc. 17mg • fiber 1g

CREAM OF ASPARAGUS SOUP

Make this soup in the spring when asparagus is at its most flavourful.

Makes eight 6-ounce (170 ml) servings

- ¾ cup (175 ml) Italian parsley leaves, washed and dried**
- 3 tablespoons (45 ml) unsalted butter**
- ¾ cup (150 ml) chopped onion or leek**
- 1 pound (500 g) asparagus, trimmed, cut into 1" (2.5 cm) pieces**
- 3 cups (750 ml) fat-free, low-sodium chicken or vegetable stock or broth**
- 1 cup (250 ml) half-and-half**
- 1 tablespoon (15 ml) cornstarch**
- 1½ cups (375 ml) cold water**
- 1 teaspoon (5 ml) kosher salt**
- ½ teaspoon (2 ml) white pepper**

Place the parsley in the blender jar. Place cover on blender jar. Set the blender to Pulse and press Low until coarsely chopped, about 4 to 5 times. Remove and reserve.

Melt the butter in a medium Cuisinart® saucepan over medium heat. Add onion and cook until soft but not brown, about 2 to 3 minutes. Add asparagus, stock, and all but 1 tablespoon (15 ml) of the reserved parsley. Cover and bring to a boil over medium-high heat. Reduce heat to low and simmer, partially covered, until asparagus is tender, about 10 to 12 minutes.

Pour the soup through a strainer, reserving the solids and liquids. Allow to cool 5 minutes. Place the solids in the blender jar with 1 cup (250 ml) of the cooking liquid; return the remaining liquid to the saucepan. Cover blender jar and turn to On. Blend on Low until creamy and smooth, about 25 to 30 seconds. Turn blender off. Return puréed vegetable mixture to the saucepan and stir to combine. Stir in half-and-half. Stir cornstarch into water, and add to soup. Add salt and pepper. Cook, stirring often, over medium heat, until soup thickens, about 6 to 8 minutes. Do not allow to boil. Taste and adjust seasonings as needed. Serve in warmed bowls garnished with the remaining parsley.

Nutritional information per serving:

*Calories 98 (59% from fat) • carb. 7g • pro. 4g • fat 7g
• sat. fat 4g • chol. 19mg • sod. 510g • calc. 56mg • fiber 2g*

CREAMY POTATO LEEK SOUP

This versatile soup may be served hot or chilled.

Makes 6 servings

- 2 medium leeks, white and tender green only, sliced horizontally and cut into ½" (1.25 cm) pieces**
- 1 tablespoon (15 ml) unsalted butter**
- 1 small [3-4 ounce (90-115 g) onion, peeled and cut into ½" (1.25 cm) pieces**
- ¼ teaspoon (1 ml) thyme**
- 2 medium russet potatoes [about ¾ pound (375 g) total], peeled, cut into 1" (2.5 cm) slices**
- 1½ cups (375 ml) fat-free, low-sodium chicken stock or broth**
- ¾ cup (190 ml) water**
- 1 teaspoon (5 ml) kosher salt**
- ½ teaspoon (2 ml) white pepper**
- ¾ cup (190 ml) half-and-half**

Place leeks in a medium bowl and add cold water. Swirl, then let stand for minutes. Lift leeks from the water without disturbing the sand/sediment collected in the bowl; allow to drain completely.

Melt butter in a large Cuisinart® saucepan over medium heat. Add the drained leeks, onion, and thyme. Let cook until softened, 3 to 5 minutes. Add potatoes, stock, and water; cover and bring to a boil over medium high heat. Reduce heat to low, and simmer, uncovered, until potatoes are soft, about 10 to 15 minutes.

Drain vegetables, reserving cooking liquid. Place vegetables in blender jar. Add 1 cup (250 ml) cooking liquid; return remaining cooking liquid to saucepan. Cover blender jar. Turn blender On. Press High and blend 20 to 30 seconds. Scrape blender jar and blend 10 to 15 seconds longer, until completely puréed and creamy smooth. Stir vegetable purée into stock in saucepan and reheat over medium low heat. Add salt, pepper and half-and-half.

Nutritional information per serving:

*Calories 132 (37% from fat) • carb. 18g • pro. 3g • fat 6g
• sat. fat 3g • chol. 16mg • sod. 369mg • calc. 56mg • fiber 3g*

Variation: Turn this soup into Creamy Watercress Soup. Use 1 bunch watercress, washed and dried. Pick leaves and reserve. Chop stems and measure out 1½ cups (375 ml). Add stems to vegetable mixture when sautéing. Follow recipe as directed.

Stir in reserved watercress leaves along with the half-and-half. Serve hot or chilled.

CREAMY TOMATO AND RED PEPPER BISQUE

Creamy tomato soup that is special enough for any occasion.

Makes 8 servings

- 1 teaspoon (5 ml) unsalted butter**
- 1 teaspoon (5 ml) extra virgin olive oil**
- 1 small onion [4 ounces (115 g)], peeled, cut in ½" (1.25 cm) pieces**
- 1 rib celery (2 ounces/60 g), cleaned, cut in ½" (1.25 cm) pieces**
- 1 carrot (2 ounces/60 g), peeled, cut in ½" (1.25 cm) pieces**
- 2 tablespoons (30 ml) white rice**

- 1** **teaspoon (5 ml) basil**
- 2** **cups (500 ml) fat-free, low-sodium chicken or vegetable stock**
- 2** **cans recipe-ready diced tomatoes [1½ oz. (465 ml)] with juices**
- 2** **roasted red peppers, seeded**
- ½** **teaspoon (2 ml) kosher salt**
- ¼** **teaspoon (0.5 ml) white pepper**
- ½** **cup (125 ml) half-and-half**

Heat the butter and olive oil in a Cuisinart® 3¼-quart (3.5 L) saucepan over medium low heat. Add the onion, celery, and carrot; cover loosely and cook until the vegetables are tender, 8-10 minutes. Stir in the rice and basil; cook until rice is opaque, 2 minutes. Stir in the stock, tomatoes and roasted red peppers. Raise heat and bring to a boil. Lower the heat, cover loosely and simmer over low heat for 20-25 minutes. Turn off heat and let stand for 5 minutes.

Strain the solids from the cooking liquid, reserving the cooking liquid and returning it to the saucepan. Place the solids in the blender jar. Add 1 cup (250 ml) of the cooking liquid to the blender jar. Set to Pulse. Press High 10 times to chop, then turn to On and process for 30-40 seconds on High until totally smooth and creamy. Add the salt and pepper; blend 5 seconds longer. Return the blended tomato mixture to the cooking liquid in the saucepan. Heat on medium until it just begins to simmer, then add the half-and-half. Do not allow to boil. The soup may be made ahead and reheated – if making ahead, do not add half-and-half until soup is reheated.

Nutritional information per serving:
Calories 87 (28 % from fat) • carb. 13g • pro. 3g • fat 3g
• sat. fat 1g • chol. 7mg • sod. 367mg • calc. 47mg • fiber 3g

PERFECT POPOVERS

Makes 18 popovers

- 6** **large eggs**
- 2** **cups (500 ml) all-purpose flour**
- 2** **cups (500 ml) evaporated fat-free milk, not reconstituted**
- ½** **teaspoon (2 ml) kosher salt**
- 5** **tablespoons (75 ml) unsalted butter, melted**

Preheat oven to 375°F (190°C). Thoroughly coat eighteen ½-cup (125 ml) popover, custard, or muffin cups with cooking spray or melted butter.

Place the eggs, flour, milk and salt in the blender jar in the order listed; cover blender jar. Turn blender On. Press Low and blend for 10 seconds. Scrape the sides of the jar if needed. With the blender running, add the melted butter in a steady stream and blend for 10 seconds. Let batter rest for 10 to 15 minutes.

Divide the batter evenly among the prepared pans. Bake in the preheated oven until puffy and nicely browned, about 40 minutes. Use a cake tester to pierce each popover several times and bake for an additional 5 minutes. Remove from oven, loosen from pans with a thin-blade knife and gently lift out. Serve hot.

Nutritional information per popover:
Calories 126 (37% from fat) • carb. 14g • pro. 6g • fat 5g
• sat. fat 3g • chol. 79mg • sod. 91mg • calc. 93mg • fiber 0g

For Pesto Popovers: add ½ cup (125 ml) prepared pesto (page 24) to the batter. Bake as directed.

ROASTED GARLIC HUMMUS

Makes about 2½ cups (575 ml)

- 2** **tablespoons (30 ml) Italian parsley leaves**
- 8-12** **cloves roasted garlic, cooled***
- 2** **cups (500 ml) canned chickpeas, rinsed and drained**
- ½** **cup (125 ml) fresh lemon juice**
- ¼** **cup (50 ml) tahini**
- 2** **teaspoons (10 ml) kosher salt**
- ½** **teaspoon (2 ml) cumin**
- 2** **tablespoons (30 ml) extra virgin olive oil**

Place the parsley in the work bowl fitted with the chopping blade. Place cover on work bowl and press the Pulse button. Press High to pulse, 8-10 times. Remove and reserve. Place the roasted garlic, chickpeas, lemon juice, tahini, salt, and cumin in the work bowl. Press the On button and process on High, about 30-40 seconds. With the machine running, add 1½ (25 ml) tablespoons of the olive in a slow, steady stream, about 20 seconds, processing until completely blended; turn to Off. Transfer to a serving dish, drizzle with remaining olive oil and sprinkle with the reserved chopped parsley. Serve at room

temperature with wedges of pita bread, toasted pita chips or vegetable crudités.

*To roast garlic, peel as many cloves as you need (it will keep refrigerated for a week in an airtight container, so do lots to have on hand), and toss them in a small amount of olive oil. Place them in the centre of a sheet of heavy-duty aluminum foil and roast in a 400°F (200°C) oven for 35-45 minutes until tender and golden. The sharp pungent flavour of the garlic will become sweet and mellow.

Nutritional information per 1/3 cup (75 ml) serving:
Calories 181 (50% from fat) • carb 17g • pro 7g • fat 10g
• sat fat 1g • chol 0mg • sod 389mg • calc 60mg • fiber 6g

GUACAMOLE

Makes 1 cup (250 ml)

- 1 small clove garlic**
- 2 medium ripe avocados, approximately 1 cup (250 ml) of pulp**
- 2 teaspoons (10 ml) lemon juice**
- ½ teaspoon (2 ml) salt**
- ¼ teaspoon (1 ml) chili powder**

Place the garlic in the work bowl fitted with the chopping blade. Turn machine to On and press High and process until finely chopped, about 10 seconds. Add remaining ingredients to bowl and pulse on High for approximately 1½ minutes, until the mixture is completely smooth and creamy.

Serve immediately or cover the guacamole directly with plastic wrap to avoid oxidation.

Nutritional information per 1/4 cup (50 ml) serving:
Calories 104 (79% from fat) • carb 5g • pro 1g • fat 10g
• sat fat 1g • chol 0mg • sod 301mg • calc 9mg • fiber 3g

GRAPE TOMATO SALSA

Makes about 1 cup (250 ml)

- ¼ cup (50 ml) fresh cilantro leaves**

- 1 small garlic clove, peeled**
- 1 jalapeño pepper, halved, seeded, cut into ½ inch (1.25 cm) pieces**
- 1 green onion, trimmed (include some green), cut in ½-inch (1.25 cm) pieces**
- 1 pint grape tomatoes**
- 1 teaspoon (5 ml) fresh lime juice**
- 1 teaspoon (5 ml) kosher salt**

Place cilantro in the work bowl fitted with the chopping blade. Place cover on bowl and press the On button. Press High and add garlic through the feed tube and process until finely chopped, about 5 seconds. Scrape work bowl. Add jalapeño, onion, tomatoes, lime juice, and salt. Turn to Pulse and press High until coarsely chopped, about 8-10 times.

Nutritional information per tablespoon (15 ml):
Calories 8 (9% from fat) • carb. 2g • pro. 0g • fat 0g
• sat. fat 0g • chol. 0mg • sod. 170mg • calc. 4mg • fiber 0g

MEDITERRANEAN TUNA

Makes 1 cup (250 ml)

- ½ ounce (15 g) red onion**
- 1 6-ounce (170 g) can tuna packed in oil***
- 1½ tablespoon (25 ml) capers**
- 1 tablespoon (15 ml) fresh parsley**
- 1 teaspoon (5 ml) lemon juice**
- ½ teaspoon (2 ml) dried oregano**
- ¼ teaspoon (1 ml) salt**
- 1 teaspoon (5 ml) extra virgin olive oil (optional)**

Place the red onion in the work bowl fitted with the chopping blade. Place cover on work bowl and press On button. Press High to chop onion finely, about 15 seconds. Add tuna, 1 tablespoon (15 ml) of capers, parsley, lemon juice, oregano, and salt. Press Pulse and pulse on High until tuna mixture is well blended about 6-8 times. If the tuna mixture appears to be dry, pulse in the optional teaspoon (5 ml) of olive oil.

Add last ½ tablespoon (7 ml) of capers and pulse 2-3 times to maintain some texture of the capers. Transfer to a serving dish or resealable container. Cover and refrigerate if not serving immediately.

*The imported Italian tuna packed in olive oil has the best flavour for this recipe.

*Nutritional information per 1/4 cup (50 ml) serving:
Calories 88 (37% from fat) • carb 1g • pro 13g • fat 4g
• sat fat 1g • chol 8mg • sod 288mg • calc 13mg • fiber 0g*

ARTICHOKE TAPENADE

Makes 1 cup (250 ml)

- 2 tablespoons (30 ml) pine nuts, toasted**
- 1 14-ounce (396 g) can artichoke hearts, drained**
- 2 sun-dried tomato halves, sliced**
- 1 tablespoon (15 ml) green onion**
- ¼ cup (50 ml) (packed) fresh Italian parsley leaves**
- 1 teaspoon (5 ml) extra virgin olive oil**
- ¼ teaspoon (1 ml) kosher salt**

Place the pine nuts in the work bowl fitted with the chopping blade. Place cover on work bowl and press Pulse. Pulse on High until finely ground. Add the remaining ingredients and pulse on High until all ingredients are incorporated and smooth.

Serve with crackers or vegetables as a dip.

*Nutritional information per 1/4 serving:
Calories 88 (41% from fat) • carb 11g • pro 3g • fat 4g
• sat fat 1g • chol 0mg • sod 699mg • calc 12mg • fiber 3g*

ENDIVE WITH SHRIMP FILLING

A great finger food, not too fussy, and easy to do ahead.

Makes 30 appetizers [1¼ cups (300 ml) shrimp filling]

- 2 tablespoons (30 ml) fresh parsley leaves**
- 2 shallots, peeled and quartered**

- 1 tablespoon (15 ml) unsalted butter**
- 1 teaspoon (5 ml) dill weed**
- 6 ounces (170 g) cooked, peeled and deveined shrimp, cut in 1-inch (2.5 cm) pieces**
- 4 ounces (115 g) lowfat cream cheese, cut into 1-inch (2.5 cm) pieces**

2-3 Belgian endive (30 leaves)

Place the parsley in the work bowl fitted with the chopping blade. Turn ON and process until finely chopped, about 10 seconds; remove and reserve. Place shallots in work bowl; press Pulse. Pulse on High to chop finely, about 10 pulses. Heat butter in a Cuisinart® 8-inch non-stick skillet over medium heat. Add shallot and cook, stirring, until golden brown, about 5 to 6 minutes. Turn off heat and stir in dill weed. Set aside to cool.

Add shrimp to work bowl; pulse on High to chop, 5 times. Remove and reserve. Turn On. Process cream cheese on High until smooth and creamy, about 15 seconds; scrape work bowl. Add half the reserved parsley, cooled shallot mixture, and chopped shrimp. Press Pulse; pulse on High to combine, about 8 times.

Trim ½ inch (1.25 cm) from bottom of endive leaves. Separate into individual leaves and choose 30 of the nicest leaves. Pipe or spread a small amount [2 teaspoons (10 ml)] of shrimp/cream cheese mixture onto bottom half of leaves. Arrange on flat serving dish. Cover and refrigerate until ready to serve. Sprinkle lightly with remaining reserved chopped parsley just before serving.

*Nutritional information per serving (one filled endive leaf):
Calories 27 (43% from fat) • carb. 2g • pro. 2g • fat 1g
• sat. fat 1g • chol. 15mg • sod. 41mg • calc. 33mg • fiber 2g*

ROOT VEGETABLE GRATIN

Serves 8

- cooking spray**
- 1½ cup (375 ml) heavy cream**
- 2 cloves garlic, smashed**
- ¼ teaspoon (1 ml) dried rosemary**
- 8 ounces (226 g) red-skinned or Yukon gold potatoes, peeled, cut to fit feed tube**

- 4 ounces (115 g) sweet potatoes, peeled, cut to fit feed tube**
- 8 ounces (226 g) yam, peeled, cut to fit feed tube**
- 4 ounces (115 g) parsnip, peeled**
- 2 teaspoons (10 ml) kosher salt**
- 1 teaspoon (5 ml) freshly ground pepper**

Place all peeled vegetables in a bowl and submerge them in cold water.

Preheat oven to 375°F (190°C). Lightly coat a 1¼-quart (1.2 L) ovenproof baking dish with cooking spray.

In a small saucepan, place cream, smashed garlic, and rosemary. Heat the cream until it just barely boils (this is scalding). Reduce heat and simmer for 10 minutes.

While cream simmers, insert the slicing disc into the work bowl. Arrange root vegetables in feed tube. Press On, then High to slice the vegetables, using medium pressure.

Arrange sliced vegetables in prepared dish by overlapping them slightly in a circular pattern. Continue creating new layers of vegetables until they are all used. Season each layer generously with salt and pepper. Finish by pouring the warm cream over the vegetables. Cover with a sheet of aluminum foil that has been lightly coated with cooking spray. Place in middle of oven on a baking sheet and bake for 45 minutes. Remove foil and continue baking for about another 30 minutes until gratin is golden and bubbly. Remove from oven and let rest 5-10 minutes. Serve hot.

Nutritional information per serving:
Calories 235 (62% from fat) • carb 21g • pro. 2g • fat 17g
• sat fat 10g • chol 61mg • sod 613mg • calc 46 mg • fiber 3g

POTATO PANCAKES

Makes eight 2-inch (5 cm) pancakes

- 1 green onion [1 tablespoon (15 ml) chopped]**
- 12 ounces (340 g) Yukon gold potatoes, peeled, cut to fit feed tube**
- 2 ounces (60 g) yellow onion**
- 1 egg, lightly beaten**
- 1 teaspoon (5 ml) kosher salt**
- 2 tablespoon (30 ml) vegetable oil**

Place the green onion in the work bowl fitted with the chopping blade. Press On button and process on high until finely chopped. Turn machine to Off. Insert the shredding disc and place cover on work bowl. Press On. Place potatoes in feed tube and shred using high speed. Continue with any remaining potatoes and then the yellow onion. Transfer contents of work bowl to a clean tea towel which has been laid out on the counter. Over the sink or mixing bowl, use the tea towel to wring out as much liquid as you can from the potatoes and onion. Transfer ingredients to a mixing bowl. Add egg, salt, and pepper and mix well.

Place a nonstick 10-inch (25 cm) skillet over medium heat. Add the vegetable oil. Form small pancakes with your hands, squeezing out any remaining liquid. When the oil shimmers in the pan, add pancakes. Cook approximately 3 minutes on each side until pancake is golden brown or to your desired doneness.

Nutritional information per pancake:
Calories 76 (47% from fat) • carb 8g • pro 2g • fat 4g
• sat fat 1g • chol 27mg • sod 304mg • calc 9mg • fiber 1g

SHREDDED CARROT AND ZUCCHINI SALAD

A quick and easy salad for all seasons.

Makes 4 servings

- 2 small zucchini [a scant ½ pound (250 g)], cut to fit feed tube**
- 3 medium carrots [a scant ½ pound (250 g)], peeled, cut to fit feed tube**
- ½ small clove garlic, peeled**
- 2 tablespoons (30 ml) raspberry vinegar**
- 1 teaspoon (5 ml) Dijon-style mustard**
- ¼ teaspoon (1 ml) kosher salt**
- ¼ teaspoon (1 ml) freshly ground pepper**
- ¼ cup (50 ml) light olive oil**
- 2 tablespoons (30 ml) toasted slivered almonds**

Insert the shredding disc in the work bowl and place cover on work bowl. Press On. Place zucchini in feed tube; press High

and shred using medium pressure. Transfer to a medium bowl. Place carrots in feed tube and shred using firm pressure. Press Off. Transfer to the bowl with the zucchini; toss to combine. Do not clean work bowl.

Insert the chopping blade in work bowl. Place cover on work bowl and turn On and then press High. With the machine running, drop the garlic through the feed tube and process to chop, 5 seconds. Press Off. Scrape the work bowl and add the vinegar, mustard, salt, and pepper. Turn On, then High. Process on High 5 seconds to combine, then, with the machine running, add the oil slowly through the feed tube and process until emulsified, about 30 seconds. Turn Off.

Toss the shredded zucchini and carrots with dressing to taste. Transfer to a serving bowl and garnish with slivered toasted almonds. Serve immediately or cover and chill for up to 2 hours (vegetables will begin to lose their crunchy freshness if longer).

*Nutritional information per 1/4 cup (50 ml) serving:
Calories 183 (76% from fat) • carb. 9g • pro. 2g • fat 16g
• sat. fat 2g • chol. 0mg • sod. 137mg • calc. 37mg • fiber 3g*

ASIAN SLAW

Makes 4 cups (1 L)

- 2 tablespoons (30 ml) fresh cilantro**
- 6½ ounces (184 g) red cabbage**
- 6½ ounces (184 g) green (savoy) cabbage**
- 2 ounces (60 g) red onion**
fresh ginger, 1-inch (2.5 cm) piece, peeled
- 2 tablespoons (30 ml) unseasoned rice vinegar**
- ¼ cup (50 ml) vegetable oil**
- 2 tablespoons (30 ml) granulated sugar**
- ¼ teaspoon (4 ml) kosher salt**

Add the cilantro to the work bowl fitted with the chopping blade. Press On, then High to finely chop the cilantro. Turn to Off. Cut the cabbage and onion to fit the feed tube of the processor. Insert the slicing blade to the food processor bowl. Turn machine to On and press High to slice the cabbage and then the onion. Place vegetables in a mixing

bowl after slicing. Turn the slicing blade over to the shredder and process ginger, place in the mixing bowl. Transfer to bowl with vegetables. Turn Off.

Insert the chopping blade. Add the rice vinegar, vegetable oil, sugar, and salt to the work bowl. Press On, then High to process until blended and emulsified, about 15 seconds. Makes about ¼ cup (75 ml) dressing. Add dressing to taste to salad and toss.

*Nutritional information per 1/2 cup (125 ml) serving:
Calories 84 (71% from fat) • carb 6g • pro 1g • fat 7g
• sat fat 2g • chol 0mg • sod 228mg • calc 23mg • fiber 1g*

SAUCES AND DRESSINGS

PESTO

Makes about ¾ cup (150 ml)

- 1 ounce (30 g) Parmigiano-Reggiano, cut in ½-inch (1.25 cm) cubes**
- ¼ cup (50 ml) toasted pine nuts or walnuts**
- 1 clove garlic, peeled**
- 1 cup (250 ml) (packed) fresh basil leaves, washed and dried completely**
- ¼ cup (50 ml) extra virgin olive oil**
- ½ teaspoon (2 ml) kosher salt**

Insert the chopping blade in the food processor work bowl. Press On, then High. With the machine running, drop the cheese through the feed tube and process to chop finely, about 10 to 15 seconds; remove and reserve. Place the nuts in the work bowl and Pulse to chop, 5 times; remove and reserve.

With the machine running, drop the garlic through the feed tube and process to chop, 5 seconds. Scrape work bowl. Add basil leaves to work bowl. Press Pulse and pulse on High to chop, 5 times, then process until finely chopped, about 5 seconds. Turn On and with the machine running, add the olive oil in a steady stream to create a smooth emulsion. Scrape work bowl. Add salt, reserved cheese and chopped nuts to work bowl. Process until smooth and blended,

about 10 seconds. Transfer to a resealable container, cover with a thin layer of olive oil, cover and refrigerate until ready to use. Pesto may be frozen.

Nutritional information per serving [1 tablespoon (15 ml)]:
Calories 81 (86% from fat) • carb. 1g • pro. 2g • fat 8g
• sat. fat 1g • chol. 2mg • sod. 69mg • calc. 42mg • fiber 0g

RUSTIC TOMATO SAUCE

Healthy and delicious at the same time!

Makes about 8 cups (2 L)

- 1** **tablespoon (15 ml) extra virgin olive oil**
- 1** **onion [8 ounces (226 g)], peeled and cut in ½" (1.25 cm) pieces**
- 2** **carrots [4 ounces (115 g)], peeled and cut in ½" (1.25 cm) pieces**
- 2** **ribs celery, trimmed and cut in ½" (1.25 cm) pieces**
- 4** **cloves garlic, peeled**
- 1** **teaspoon (5 ml) dried oregano**
- 1** **teaspoon (5 ml) dried basil**
- 4** **roasted red bell peppers, cut in 1" (2.5 cm) pieces**
- ½** **cup (125 ml) dry white wine (such as vermouth)**
- 2** **tablespoons (30 ml) tomato paste**
- 3** **cans [15-ounce (425 g)] recipe ready diced tomatoes with juices**
- ½** **teaspoon (2 ml) kosher salt**
- ¼** **teaspoon (1 ml) freshly ground black pepper**

In a Cuisinart® 3¼-quart (3.5 L) saucepan, heat the olive oil over medium heat. Add the onion, carrot, celery, garlic, oregano and basil.

Cover loosely and cook until the vegetables are softened, 6 to 8 minutes. Stir in the roasted red peppers, wine, tomato paste, and tomatoes. Bring to a boil, then reduce heat and simmer for 35 to 40 minutes, loosely covered. Uncover and simmer for 15 to 20 minutes longer to thicken. Turn off heat and let sit 5 minutes.

Strain the solids from the liquids, and return the liquid to the saucepan. Place the solids in the blender jar with ½ cup (125 ml) of the cooking liquid. Cover the blender jar. Press Pulse and then press Low 10 times

to chop. Use a plastic spatula to scrape the sides of the blender jar. Blend for 20 to 30 seconds, until smooth. Return the puréed tomato mixture to the liquid in the saucepan and reheat gently over medium low heat. Add salt and pepper.

Nutritional information per half cup (125 ml) serving:
Calories 48 (17% from fat) • carb. 8g • pro. 1g • fat 1g
• sat. fat 0g • chol. 0mg • sod. 194mg • calc. 26mg • fiber 2g

BASIC VINAIGRETTE

This basic vinaigrette is perfect for a crisp green salad.

Makes about 1½ cups (375 ml) – can be doubled

- 1** **clove garlic, peeled**
- 2** **tablespoons (30 ml) Dijon-style mustard**
- ½** **cup (125 ml) wine vinegar**
- 1** **teaspoon (5 ml) kosher salt**
- ½** **teaspoon (2 ml) freshly ground pepper**
- ¾** **cup (150 ml) extra virgin olive oil**
- ¾** **cup (150 ml) vegetable oil**

Place the garlic in the blender jar and cover jar. Use the Pulse function. Press Low 5 times to chop the garlic. Add the mustard, vinegar, salt and pepper. Turn the blender to On and blend on High for 10 to 15 seconds. With the blender running, add the oils in a slow, steady stream, taking about 20 seconds, then blend for 20 seconds longer until completely emulsified.

You may change the Basic Vinaigrette by changing the flavour of the vinegar, mustard or oil. Try using fresh lemon juice and a little honey for a honey-mustard vinaigrette.

Add fresh herbs, sun-dried tomatoes, or pesto for other flavour changes.

Nutritional information per tablespoon (15 ml):
Calories 109 (97% from fat) • carb. 1g • pro. 0g • fat 12g
• sat. fat 2g • chol. 0mg • sod. 86mg • calc. 1mg • fiber 0g

CRACKED PEPPER PARMESAN DRESSING

A great dressing for pasta salad.

Makes 1½ cups (325 ml)

- 2** teaspoons (10 ml) whole black peppercorns
- 1** ounce (30 g) Parmigiano-Reggiano, cut in ½" (1.25 cm) or smaller cubes
- 1** shallot, about 1 ounce (30 g), peeled, cut in ½" (1.3 cm) or smaller pieces
- 1** clove garlic, peeled and smashed
- ½ teaspoon (2 ml) kosher salt
- 1** tablespoon (15 ml) Dijon-style mustard
- ¼ teaspoon (1 ml) Worcestershire sauce
- 2** tablespoons (30 ml) light mayonnaise
- ¼ cup (50 ml) wine vinegar
- ¼ cup (50 ml) extra virgin olive oil
- ¼ cup (50 ml) canola or other flavourless vegetable oil

Place the whole peppercorns in the blender jar. Press On button, then High and blend for 10 seconds. Some peppercorns will be pulverized, some will be cracked and crushed; remove and reserve. Place the cheese cubes in the blender jar; blend on High for 20 seconds; scrape sides of blender jar. Add shallot, garlic and salt. Blend on High for 10 seconds; scrape sides of blender jar.

Add remaining ingredients in order listed; blend on High for 10 seconds. Add reserved black pepper; blend for 5 seconds. Transfer dressing to a resealable container and refrigerate for 30 minutes or longer to allow flavours to develop. Keeps for one week in the refrigerator.

Nutritional information per tablespoon (15 ml):

*Calories 58 (90% from fat) • carb. 1g • pro. 1g • fat 6g
• sat. fat 1g • chol. 1mg • sod. 74mg • calc. 18mg • fiber 0g*

JAPANESE CARROT GINGER DRESSING

This dressing is served on the iceberg lettuce salad that often accompanies sushi. It is simple to prepare at home in your Cuisinart® Smart Power Premier Duet™ 600-Watt Blender.

Makes about 2 cups (500 ml)

- 4** carrots, peeled, and cut into ½" (1.25 cm) slices
- 1** piece fresh ginger, about 2 inches (5 cm), peeled, cut in ½" (1.25 cm) pieces
- 1** shallot, peeled, cut in 4 pieces
- 1** clove garlic, peeled
- 1** teaspoon (5 ml) dry mustard
- ½ cup (125 ml) apple juice
- ⅓ cup (75 ml) rice vinegar
- ¼ cup (50 ml) water
- 2** tablespoons (30 ml) mirin (Japanese rice wine*)
- 1** tablespoon (15 ml) soy sauce
- 1** tablespoon (15 ml) Asian sesame oil (toasted sesame oil)

Place all ingredients in blender jar in order listed; cover blender jar. Press On and blend on High for 30 to 40 seconds. Serve with chopped crisp lettuce.

* Available in Asian markets or gourmet/ethnic foods section of grocery stores.

Nutritional information per serving [2 tablespoons (30 ml)]:

*Calories 26 (30% from fat) • carb. 4g • pro. 0g • fat 0g
• sat. fat 0g • chol. 0mg • sod. 68mg • calc. 7mg • fiber 4g*

WASABI GINGER SAUCE/MARINADE

Use this versatile sauce as a marinade for meats and seafood, a dressing for salads, or a dipping sauce for potstickers, dumplings or Mongolian Hot Pot.

Makes about 2 cups (500 ml)

- ½ ounce (15 g) fresh ginger, peeled, cut in ½" (1.25 cm) or smaller pieces
- 1** small shallot [½ ounce (15 g)], peeled, cut in ½" (1.25 cm) or smaller pieces

- 1 clove garlic, peeled**
- ¾ cup (175 ml) mirin (Japanese rice wine*)**
- ¾ cup (175 ml) low-sodium soy or tamari sauce**
- ¼ cup (50 ml) seasoned rice or wine vinegar**
- 2 tablespoons (30 ml) dark molasses**
- 2 tablespoons (30 ml) prepared wasabi paste***
- 1 tablespoon (15 ml) brown sugar, packed**
- 1 tablespoon (15 ml) Asian sesame oil (toasted sesame oil)**
- 2 teaspoons (10 ml) powdered ginger**
- ½ teaspoon (2 ml) freshly ground black pepper**

Place fresh ginger, shallot and garlic in blender jar; cover blender jar. Turn to Pulse. Pulse on Low 5 times. Scrape sides of jar; Pulse on Low 5 times. Add remaining ingredients in order given. Turn to On and press High to blend for 20 seconds. Transfer to a resealable container and let stand for 30 minutes before using to allow flavours to develop. Unused portions may be refrigerated for up to a week; stir before using.

Tip: Use about 1 tablespoon (15 ml) of marinade per portion. Meats such as boneless, skinless chicken parts, pork chops, or steaks may be placed in a resealable freezer-weight bag, coated with marinade and frozen. When thawed, they will be fully marinated and ready to cook.

* Available in Asian markets or gourmet/ethnic foods section of grocery stores.

Nutritional information per tablespoon (15 ml):
 Calories 22 (18% from fat) • carb. 3g • pro. 0g • fat 0g
 • sat. fat 0g • chol. 0mg • sod. 183mg • calc. 14mg • fiber 0g

CAJUN CREOLE SPICE BLEND

Our Cajun Creole Spice Blend is a comparable alternative to purchased spice mixtures, but much fresher and more economical. Adjust the spiciness to taste with the amount of cayenne used.

Makes about ½ cup (125 ml)

- 2 teaspoons (10 ml) coriander seed**
- 1 teaspoon (5 ml) mustard seed**

- ½ teaspoon (2 ml) celery seed**
- ½ teaspoon (2 ml) white peppercorns**
- ½ teaspoon (7 ml) black peppercorns**
- 1 bay leaf, roughly broken**
- 3 tablespoons (45 ml) sweet paprika**
- 1 tablespoon (15 ml) kosher salt**
- ½ tablespoon (2 ml) sugar**
- 2 teaspoons (10 ml) dried minced garlic**
- 2 teaspoons (10 ml) minced dry onions**
- 1-2 teaspoons (5-10 ml) cayenne pepper, to taste**
- 2 teaspoons (10 ml) dry oregano**
- 1 teaspoon (5 ml) dry thyme leaves**
- 1 teaspoon (5 ml) dry basil**
- ½ teaspoon (2 ml) dry rosemary**
- ½ teaspoon (2 ml) ground allspice**

Place the coriander seed, mustard seed, celery seed, black and white peppercorns, and bay leaf in the blender jar. Cover jar and press the On button. Blend on Low until seeds are finely ground, 10 to 15 seconds. Add the remaining ingredients and blend until no signs of the bay leaf are visible, about 20 to 30 seconds.

Use as a rub for meat, poultry, or seafood before sautéing, roasting or grilling, or add as a seasoning to rice or dressing to brighten up flavours.

Nutritional information per tablespoon (15 ml):
 Calories 18 (24% from fat) • carb. 4g • pro. 1g • fat 1g
 • sat. fat 0g • chol. 0mg • sod. 501mg • calc. 23mg • fiber 1g

DESSERTS/SWEET SAUCES

COOKIE-CRUST PUMPKIN PIE

The traditional holiday favourite is made with a cookie crumb crust for a crunchy change.

Makes 12 servings

Crust:

- ¾ cup (150 ml) pecan halves**
- 45 vanilla wafers (may use reduced-fat wafers)**
- ¼ cup (75 ml) unsalted butter, melted**

Pumpkin Filling:

- 2 large eggs**
- ½ cup (125 ml) brown sugar**
- 1 can [12 ounces (340 ml)] evaporated fat free milk**
- 1 can [15-16 ounces (425-454 g), 1½ cups (375 ml)] solid pack pumpkin (not pie filling)**
- 1 tablespoon (15 ml) cornstarch**
- ¼ cup (50 ml) molasses**
- 1 tablespoon (15 ml) vanilla extract**
- 1 teaspoon (5 ml) cinnamon**
- 1 teaspoon (5 ml) ginger**
- ¼ teaspoon (1 ml) freshly grated nutmeg**

Preheat the oven to 375°F (190°C).

Place the pecans in the blender jar; cover. Turn to Pulse. Pulse on Low 8 to 10 times to chop finely. Remove and transfer to a 10" (25 cm) deep-dish pie plate. Place 15 cookies in the blender jar; cover the blender jar. Pulse on High 5 times to chop the cookies. Then turn to On and blend for 10 seconds to pulverize; add the cookie crumbs to the nuts in the pie plate and repeat with the remaining cookies. Stir the nuts and cookies with a fork to blend; add the melted butter and stir to combine. Press the cookie/nut mixture evenly onto the sides and bottom of the pie plate. Bake in the preheated 375°F (190°C) oven for 5 minutes. Remove and let cool on a rack while continuing.

Lower the oven temperature to 350°F (175°C).

Place the eggs and remaining ingredients in the blender jar in the order listed; cover the blender jar. Press On, and than Low blending until smooth, about 10 to 15 seconds. Pour the pumpkin mixture into the prepared cookie crust. Bake in the preheated 350°F (175°C) oven for 55 to 60 minutes. Centre of the pie may appear slightly jiggly – it will continue to set as the pie cools. Place the pie on a rack and cool completely before serving. Refrigerate after completely cool.

Nutritional information per serving:

Calories 252 (41% from fat) • carb. 33g • pro. 5g • fat 12g
• sat. fat 4g • chol. 42mg • sod. 117mg • calc. 129mg • fiber 2g

CHOCOLATE CHIP OATMEAL MUFFINS

Makes 18 mini muffins

- cooking spray**
- 1 cup (250 ml) all-purpose flour**
- ¼ cup (50 ml) granulated sugar**
- 1 teaspoon (5 ml) baking powder**
- ¼ teaspoon (1 ml) salt**
- 1 large egg**
- ¼ cup (50 ml) unsalted butter, melted and cooled**
- ¼ cup (50 ml) whole milk**
- ½ teaspoon (2 ml) vanilla extract**
- ½ cup (75 ml) rolled oats, lightly toasted**
- ½ cup (75 ml) chopped walnuts**
- ½ cup (75 ml) semi sweet chocolate morsels**

Preheat oven to 400°F (200°C). Lightly coat mini muffin tin with cooking spray.

Place the flour, sugar, baking powder, and salt in the work bowl fitted with the chopping blade. Press On button and combine ingredients by pressing High for 10 seconds. Remove and reserve.

Place the egg, butter, milk, and vanilla in the work bowl and process on high for 20 seconds. Add reserved dry ingredients and the oatmeal, walnuts, and chocolate morsels. Pulse until just combined. Scoop batter evenly into the muffin tin. Bake until puffed and golden, and a tester comes out clean, about 12-15 minutes. Transfer to a wire rack, cool slightly, serve warm.

Nutritional information per muffin:

Calories 106 (48% from fat) • carb 12g • pro 2g • fat 6g
• sat fat 2g • chol 19mg • sod 51mg • calc 10mg • fiber 1g

APPLE CRISP

Makes 6 servings

cooking spray

- 1/8 cup (75 ml) all-purpose flour
- 1/8 cup (75 ml) light brown sugar, packed
- 7 tablespoons (105 ml) granulated sugar, divided
- 1/8 cup (75 ml) unsalted butter, cut in 1/2-inch (1.25 cm) pieces
- 1/2 cup (125 ml) regular oatmeal (not quick or instant)
- 1/8 cup (75 ml) pecan or walnut pieces
- 1/2 teaspoon (2 ml) ground cinnamon
- 3 large apples [about 1 1/2 pounds (750 g)] – Braeburn, Fuji, Golden Delicious or Granny Smith, Fuji, peeled, cored and quartered
- 1/8 cup (75 ml) dried cranberries or raisins

Arrange rack in lower third of oven. Preheat oven to 350°F (180°C). Lightly coat a 1 1/4-quart (1.2 L) baking dish with cooking spray; reserve.

Place the flour, brown sugar, and 4 tablespoons (60 ml) of the granulated sugar in the work bowl fitted with the chopping blade. Press On. Process on High for 10 seconds to combine. Press Pulse, add butter and Pulse on High until mixture resembles a coarse meal. Add oatmeal, nuts and cinnamon; pulse on High until the mixture resembles large crumbs, about 10 times. Turn Off. Remove and reserve.

Remove the metal blade and insert the slicing disc. Turn On. Place apple quarters in feed tube. Press High to slice, using medium pressure. Transfer to a bowl and toss with remaining 3 tablespoons (45 ml) granulated sugar and dried cranberries or raisins. Arrange with cream or softly whipped cream.

Nutritional information per serving:

*Calories 359 (35% from fat) • carb. 58g • pro. 2g • fat 15g
• sat. fat 7g • chol. 27mg • sod. 7mg • calc. 26mg • fiber 5g*

MINI CHIP CHEESECAKES

Makes two 4-inch (10 cm) cheese cakes

cooking spray

- 2 ounces (60 g) crispy oatmeal cookies or graham crackers, broken into 1/2-inch (1.25 cm) pieces
- 1/2 tablespoon (7 ml) unsalted butter, cut in 4 pieces
- 8 ounces (226 g) lowfat cream cheese, cut in 16 pieces
- 1/4 cup (50 ml) sugar
- 1 large egg
- 2 teaspoons (10 ml) vanilla extract
- 3 tablespoons (45 ml) semisweet mini chocolate morsels

Preheat the oven to 350° F (175°C). Lightly coat two 4-inch (10cm) 1 1/4 cup (300 ml) springform pans with cooking spray.

Place the cookie pieces in the work bowl; press Pulse. Pulse on High 5 times to break up. Add the butter and process 15-20 seconds on High until buttered crumbs are formed. Press into the bottoms of the two prepared pans. Bake in the preheated oven for 10 minutes. Place in the freezer for 5-10 minutes to cool completely. When cool, wrap each pan in a sheet of aluminum foil so that it comes at least 1 inch (2.5 cm) up the sides.

Do not wash the work bowl. Place the cream cheese and sugar in the work bowl. Press On button and process on High for 10 seconds to combine. Scrape the bottom and sides of the bowl; process 15 seconds longer until smooth and creamy. Add the egg and vanilla, process on High until smooth, 20 seconds; scrape the bowl and process for another 5 seconds. Add mini morsels to work bowl. Turn to Pulse and pulse 2-3 times. Divide the batter evenly between the two prepared pans. Place in a larger pan and add hot water to the depth of 1/2 inch (1.25 cm). Bake in the preheated oven for 25 minutes. Remove from the oven, remove foil, and place on a rack to cool completely. Cover and refrigerate at least 4 hours before serving. May be double-wrapped and frozen for up to 1 month. Serve plain, topped with fresh berries, or with Quick Berry Sauce.

Variation: To make Chocolate Chip Cheesecakes, add 2-3 tablespoons (30-45 ml) chocolate morsels to the batter when adding the cream cheese.

Nutritional information per serving:
Calories 241 (43% from fat) • carb. 30g • pro. 4g • fat 12g
• sat. fat 6g • chol. 74mg • sod. 120mg • calc. 24mg • fiber 2g

PEAR AND HAZELNUT CLAFOUTI

Makes 8 servings

- 3 pears, approximately 9 (255 g) ounces each, peeled, cored, and quartered**
- 1½ tablespoons (20 ml) lemon juice**
- ½ cup (125 ml) blanched hazelnuts**
- ¼ cup (75 ml) plus 1 tablespoon (15 ml) granulated sugar**
- ½ cup (125 ml) evaporated fat-free milk**
- ¾ cup (150 ml) melted butter**
- 2 eggs**
- 1 teaspoon (5 ml) vanilla extract**
- ½ cup (125 ml) all purpose flour**
- ¾ teaspoon (4 ml) baking powder**

Preheat oven to 375° (190°C). Butter a 1¼-quart (1.2 L) baking dish.

Insert the slicing disc in the work bowl. Place the pears in the feed tube, press On, then High to slice them. Toss the pears with lemon juice and arrange evenly in buttered baking dish. Turn Off.

Dry work bowl and insert the chopping blade. Turn On and process hazelnuts and sugar on High until nuts are finely ground – 15 to 20 seconds. Add the evaporated milk, melted butter, eggs, vanilla, flour and baking powder. Process for 10 seconds. Mixture will be smooth and creamy – do not overblend.

Pour the batter over the pears and sprinkle with the remaining sugar. Bake until golden brown and set, about 35 to 40 minutes.

Cool on a rack for 15 minutes before serving; serve warm with freshly whipped cream.

Nutritional information per serving:
Calories 309 (60% from fat) • carb 28g • pro 4g • fat 22g
• sat fat 10g • chol 95mg • sod 58mg • calc 82mg • fiber 3g

QUICK BERRY SAUCE

Serve with ice cream or cheesecake.

Makes about 2 cups (500 ml)

- 12 ounces (340 g) fresh or frozen, thawed strawberries or raspberries**
- ½ cup (125 ml) red berry preserves**
- 1 tablespoon (15 ml) sugar**
- 1 tablespoon (15 ml) fresh lemon juice**

Place all ingredients in blender jar; cover blender jar. Turn On. Press High and blend until smooth and completely puréed, 20 to 30 seconds.

Strain mixture through a fine sieve to remove seeds; discard seeds. Store in an airtight container in refrigerator. Serve with desserts, pancakes or waffles.

Nutritional information per serving (based on 8 servings):
Calories 128 (0% from fat) • carb. 33g • pro. 1g • fat 0g
• sat. fat 0g • chol. 0mg • sod. 5mg • calc. 14mg • fiber 2g

CHOCOLATE SAUCE

Change the vanilla to mint for Mint Chocolate sauce.

Makes 1¼ cups / 20 tablespoons (300 ml)

- 4 ounces (115 g) good-quality bittersweet or semisweet chocolate, broken into 1/2" (1.25 cm) pieces**
- 4 ounces (115 g) good-quality milk chocolate, broken into 1/2" (1.25 cm) pieces**
- 2 tablespoons (30 ml) sugar**
- ½ cup (125 ml) fat-free milk, heated until just bubbling around the edges**
- 1½ teaspoons (7 ml) vanilla extract**

Place the chocolates in the blender jar; cover blender jar. Press Pulse and pulse on Low to chop the chocolates, 10 to 15 times. Add the sugar; turn to On and process on High to chop, 20 seconds. With the blender running, remove the measured pour cup. Pour the hot milk slowly and carefully through the pour spout and blend until the chocolate is melted and smooth, 1 minute. Add the vanilla; blend to combine, 10 seconds. Serve warm or let cool; place in an airtight container and refrigerate. Reheat before serving.

*Nutritional information per serving [1 tablespoon (15 ml)]:
Calories 65 (50% from fat) • carb. 8g • pro. 1g • fat 4g
• sat. fat 2g • chol. 1g • sod. 3mg • calc. 11mg • fiber 0g*

Cuisinart®

SAVOR THE GOOD LIFE®



Coffeemakers
Cafetières



Food Processors
Robots de Cuisine



Toaster Ovens
Fours Grilloirs



Waffle Irons
Gaufriers



Cookware
Batterie de Cuisine



Ice Cream Makers
Sorbetières

Cuisinart offers an extensive assortment of top quality products to make life in the kitchen easier than ever. Try some of our other countertop appliances and cookware, and Savor the Good Life®.

Cuisinart offre une vaste gamme de produits de première qualité pour vous faciliter la tâche dans la cuisine et...savourer la bonne vie®.

www.cuisinart.ca

©2005 Cuisinart

Cuisinart® is a registered trademark of Cuisinart

Cuisinart® est une marque de commerce déposée de Cuisinart

156 Parkshore Drive
156, chemin Parkshore

Brampton, Ontario L6T 5M1

Consumer Call Centre E-mail:
Courriel centre au consommateur :

Consumer_Canada@Conair.com

Printed in China/ Imprimé en Chine

04CC18171

IB-5564-CAN

SAUCE AUX BAIES CLIN D'OEIL

Se sert sur la crème glacée ou un gâteau au fromage

mélanger jusqu'à ce que le chocolat soit fondu et la consistance lisse, environ 1 minute. Ajoutez la vanille et mélangez pendant 10 secondes pour combiner. Servez chaud ou froid. Réfrigérez dans un contenant étanche. Réchauffez avant de servir.

340 g (12 oz) de fraises ou framboises fraîches ou

congelées, décongelées

125 ml (1/2 tasse) de confiture de baies

15 ml (1 c. à table) de sucre

15 ml (1 c. à table) de jus de citron frais

Placez tous les ingrédients dans le récipient du mélangeur et couvrez le récipient. Réglez-le à vitesse élevée et mélangez jusqu'à l'obtention d'une purée lisse, 20 à 30 secondes. Passez le mélange dans un tamis fin pour éliminer les graines; jetez les graines. Gardez au réfrigérateur dans un contenant hermétique. Servez avec des desserts, des crêpes ou des gâtres.

Analyse nutritionnelle par portion de 1/3 tasse (75 ml) :

Calories 128 (0 % du gras) • glucides 33 g • protéines 1 g

• matières grasses 0 g • gras saturé 0 g

• cholestérol 0 mg • sodium 5 mg • calcium 14 mg • fibres 2 g

SAUCE AU CHOCOLAT

Remplacez la vanille par de la menthe pour une excellente sauce au chocolat et à la menthe.

Donne 300 ml (1-1/4 tasse / 20 c. à table)

115 g (4 oz) chocolat semi-sucré ou mi-amer de bonne

qualité en morceaux de 1,25 cm (1/2 po)

115 g (4 oz) chocolat au lait de bonne qualité en morceaux

de 1,25 cm (1/2 po)

30 ml (2 c. à table) sucre

125 ml (1/2 tasse) lait écrémé, chauffé

7 ml (1-1/2 c. à thé) extrait de vanille

Mettez les chocolats dans le mélangeur et couvrez. Réglez à vitesse basse et hachez par pulsation, 10 à 15 fois. Ajoutez le sucre, mélangez pendant 20 secondes. Le mélangeur en marche, retirez le godet-mesure et versez le lait chaud lentement et avec soin. Continuez de

CLAFOUTIS AUX POIRES ET AUX NOISETTES

Donne 8 portions

3 poires d'environ 9 onces (255 g) chacune, pelées, dénoyautées et en quartiers

20 ml (1 1/3 c. à table) de jus de citron

125 ml (1/2 tasse) de noisettes blanchies

75 ml (1/3 tasse) et 15 ml (1 c. à table) de sucre granulé

125 ml (1/2 tasse) de lait évaporé écrémé

150 ml (2/3 tasse) de beurre fondu

2 œufs

5 ml (1 c. à thé) d'extrait de vanille

125 ml (1/2 tasse) de farine tout usage

4 ml (3/4 c. à thé) de levure chimique

Réchauffez le four à 190°C (375°F). Graissez un plat de cuisson de 1,2 L (1-1/4 pinte) avec du beurre. Posez le disque émincé dans le bol.

Placez les poires dans l'entonnoir, appuyez sur la touche « ON » et tranchez les poires à vitesse élevée. Mélangez les poires au jus de citron et disposez-les uniformément dans le plat de cuisson graissé.

Séchez le bol et posez la lame à hacher. Transformez les noisettes et le sucre jusqu'à ce que les noisettes soient finement moulues, 15 à 20 secondes. Ajoutez le lait évaporé, le beurre fondu, les œufs, la vanille, la farine et la levure chimique. Transformez pendant 10 secondes. Le mélange doit être lisse et crémeux, pas trop mélange.

Versez la préparation sur les poires et saupoudrez le restant du sucre. Faites cuire jusqu'à ce que doré et pris, environ 35 à 40 minutes.

Laissez refroidir sur une grille pendant 15 minutes avant de servir; servez chaud avec de la crème fraîchement fouettée.

Analyse nutritionnelle par portion :
Calories 309 (60 % du gras) • glucides 28 g • protéines 4 g
• matières grasses 22 g • gras saturé 10 g
• cholestérol 95 mg • sodium 58 mg • calcium 82 mg • fibres 3 g

GÂTEAUX AU FROMAGE ET MINI-PÊPITES DE CHOCOLAT

Donne deux gâteaux au fromage de 10 cm (4 po)

Huile de cuisson

57 g (2 oz) de biscuits au gruaux croustillants ou graham, en morceaux de 1,3 cm (1/2 po)

8 ml (1/2 c. table) de beurre non salé, en 4 morceaux

227 g (8 oz) de fromage en crème allégé, en 16 morceaux

(60 ml) (1/4 tasse) de sucre

1 gros œuf

10 ml (2 c. à thé) d'extrait de vanille

45 ml (3 c. à table) de mini-pépites de chocolat semi sucré

Préchauffez le four à 175°C (350°F). Vaporisez d'huile de cuisson deux moules à charnière de 10 cm (4 po) ou 315 ml (1-1/4 tasses).

Mettez les morceaux de biscuits dans le robot; tournez le bouton à « PULSE ». Hachez grossièrement en appuyant 5 fois sur la touche

« HIGH ». Ajoutez le beurre et malaxez à haute vitesse pendant 10 minutes. Placez au congélateur pendant 5 à 10 minutes pour refroidir entièrement. Une fois refroidi, enveloppez chaque moule

d'un papier aluminium de façon qu'il dépasse les rebords d'au moins 2,5 cm (1 po).

Ne lavez pas le bol du robot. Mettez-y le fromage en crème et le sucre. Tournez le bouton à « ON » et combinez pendant 10 secondes à haute

vitesse « HIGH ». Raclez le fond et les parois du bol; malaxez pendant 15 secondes. Ajoutez les mini-pépites; tournez le bouton à « PULSE »

et mélangez par pulsation, 2 à 3 fois. Divisez la pâte également entre les deux moules. Placez dans une grande casserole et ajoutez-y de l'eau, environ 1,3 cm (1/2 po). Faites cuire au four préchauffé pendant 25 minutes. Retirez du four enlevez le panier d'aluminium placez sur une grille pour et laissez.

Analyse nutritionnelle par portion :
Calories 241 (43% des matières grasses) • glucides : 30 mg • protéines : 4 g
• matières grasses : 12g • gras saturés : 6 g
• cholestérol : 74 mg • sodium : 120 mg • calcium : 24 mg • fibres : 2 g

CROQUANT AUX POMMES

Donne 6 portions

Huile de cuisson en aérosol

- 75 ml (1/3 tasse) de farine tout usage
 75 ml (1/3 tasse) de cassonade légère, tassée
 105 ml (7 c. à table) de sucre granulé, divisé
 75 ml (1/3 tasse) de beurre non salé, en cubes de 1,25 cm (1/2 po)
 125 ml (1/2 tasse) d'avoine ordinaire (pas à cuisson rapide ni instantanée)
 75 ml (1/3 tasse) de brisures de pacanes ou de noix
 2 ml (1/2 c. à thé) de cannelle moulue
 3 grosses pommes [environ 1,2 lb (1 1/2 lb)] -
 pelées, dénoyautées et en quartiers
 75 ml (1/3 tasse) de canneberges ou de raisins secs

Placez la grille dans le tiers inférieur du four. Réchauffez le four à 175°C (350°F). Enduisez légèrement d'huile de cuisson un plat de cuisson de 1,2 L (1 1/4 pinte) et mettez de côté. Placez la farine, la cassonade et 4 c. à table de sucre dans le bol muni de la lame à hacher. Appuyez sur la touche « NO » et combinez à vitesse élevée pendant 10 secondes. Ajoutez le beurre et pulsez à vitesse élevée jusqu'à ce que le mélange ressemble à un gruau. Ajoutez l'avoine, les noix et la cannelle; transformez par pulsation à vitesse élevée jusqu'à ce que le mélange ressemble à de grosses miettes, 10 fois environ. Arrêtez la machine. Retirez et réservez. Enlevez la lame de métal et posez le disque traçheur. Mettez la machine en marche. Placez les quartiers de pomme dans l'entonnoir. Appuyez sur « HIGH » pour trancher avec une pression moyenne. Transférez dans un bol et mélangez avec 45 ml (les 3 dernières c. à table) de sucre et les canneberges séchées. Présentez avec de la crème ou une crème légèrement fouettée.

Analyse nutritionnelle par portion :
 Calories 359 (35 % du gras) • glucides 58 g • protéines 2 g
 • matières grasses 15 g • gras saturé 7 g
 • cholestérol 27 mg • sodium 7 mg • calcium 26 mg • fibres 5 g

MUFFINS À L'AVOINE ET AUX BRISURES DE CHOCOLAT

Donne 18 mini-muffins

- 250 ml (1 tasse) de farine tout usage
 50 ml (1/4 tasse) de sucre granulé
 5 ml (1 c. à thé) de levure chimique
 1 ml (1/4 c. à thé) de sel
 1 gros œuf
 50 ml (1/4 tasse) de beurre non salé, fondu et refroidi
 50 ml (1/4 tasse) de lait entier
 2 ml (1/2 c. à thé) d'extrait de vanille
 75 ml (1/3 tasse) de flocons d'avoine, légèrement grillés
 75 ml (1/3 tasse) de noix hachées
 75 ml (1/3 tasse) de morceaux de chocolat aigre-doux

Réchauffez le four à 400°F (200°C). Enduisez légèrement une tôle à muffins avec l'huile de cuisson en aérosol. Placez la farine, le sucre, la levure chimique et le sel dans le bol muni de la lame à hacher. Appuyez sur la touche « NO » et combinez les ingrédients à vitesse élevée pendant 10 secondes. Retirez et réservez. Placez l'œuf, le beurre, le lait et la vanille dans le bol et transformez à vitesse élevée pendant 20 secondes. Ajoutez les ingrédients secs réservés ainsi que l'avoine, les noix et les morceaux de chocolat. Combinez par pulsation. Distribuez la préparation uniformément sur la tôle à muffins. Faites cuire jusqu'à ce que gonflés et dorés; un testeur doit ressortir propre, 12 à 15 minutes. Transférez sur une grille de broche, laissez refroidir un peu et servez chauds.

Analyse nutritionnelle par muffin :
 Calories 106 (48 % du gras) • glucides 12 g • protéines 2 g
 • matières grasses 6 g • gras saturé 2 g
 • cholestérol 19 mg • sodium 51 mg • calcium 10 mg • fibres 1 g

Analyse nutritionnelle par 15 ml (1 c. à table) :
 Calories : 252 (41 % des matières grasses) • glucides : 33 mg
 • protéines : 5 g • matières grasses : 12 g • gras saturés : 4 g
 • cholestérol : 42 mg • sodium : 117 mg • calcium : 129 mg • fibres : 2 g

150 ml	(2/3 tasse) de moitiés de pacanes
45	gaufrettes à la vanille
75 ml	(1/3 tasse) de beurre non salé, fondu Garniture à la citrouille :
2	gros oeufs
125 ml	(1/2 tasse) de cassonade
340 ml	(1 boîte de 12 oz) de lait évaporé écrémé
500 ml	(1 boîte de 15-16 oz) de citrouilles en conserve (pas la garniture à tarte)
15 ml	(1 c. à table) de fécule de maïs
50 ml	(1/4 tasse) de mélasse
15 ml	(1 c. à table) d'extrait de vanille
5 ml	(1 c. à thé) de cannelle
5 ml	(1 c. à thé) de gingembre
1 ml	(1/4 c. à thé) de cannelle fraîchement moulue

Préchauffez le four à 190°C (375°F). Mettez les pacanes dans le mélangeur et couvrez. Réglez à basse vitesse « LOW » et hachez finement par pulsation 8 à 10 fois. Retirez et transférez dans une assiette à tarte profonde de 25 cm (10 po). Mettez 15 gaufrettes dans le mélangeur et couvrez. Réglez à haute vitesse « HIGH » et hachez par pulsation 5 fois puis mélangez pendant 10 secondes pour réduire en miettes.

Ajoutez les miettes de gaufrettes aux noix dans l'assiette à tarte et répétez avec le reste des gaufrettes. Mélangez les miettes de gaufrettes et les noix à l'aide d'une fourchette; versez le beurre fondu et combinez. Étalez ce mélange uniformément au fond et sur les côtés de l'assiette. Faites cuire au four préchauffé à 190°C (375°F) pendant 5 minutes. Retirez et laissez refroidir sur une grille pendant que vous préparez la garniture. Réduisez la température du four à 175°C (350°F). Mettez les oeufs et le reste des ingrédients dans le mélangeur dans l'ordre donné et couvrez-le. Réglez à basse vitesse « LOW » et mélangez jusqu'à consistance lisse, environ 10 à 15 secondes.

Versez la mélange de citrouille dans la croûte de tarte préparée. Faites cuire au four préchauffé à 175°C (350°F) de 55 à 60 minutes. Le centre de la tarte peut paraître un peu mou, mais il prendra en refroidissant. Placez la tarte sur une grille et laissez-la refroidir complètement avant de réfrigérer ou de servir.

TARTE À LA CITROUILLE AVEC CROÛTE AUX BISCUITS

DESSERTS / SAUCES SUCRÉES

Analyse nutritionnelle par 15 ml (1 c. à table) :
 Calories : 18 (24 % des matières grasses) • glucides : 4 mg • protéines : 1 g
 • matières grasses : 1 g • gras saturés : 0 g
 • cholestérol : 0 mg • sodium : 501 mg • calcium : 23 mg • fibres : 1 g

Mettez les graines de coriandre, de moutarde, de céleri, les deux poivres et la feuille de laurier dans le mélangeur et couvrez-le. Réglez le mélangeur à basse vitesse « LOW » et mélangez jusqu'à ce que les graines soient finement moulues, de 10 à 15 secondes.

Ajoutez le reste des ingrédients et mélangez jusqu'à ce que la feuille de laurier soit complètement pulvérisée, environ 20 à 30 secondes. Utilisez pour froter la viande, la volaille ou les fruits de mer avant de les faire rissoler, rôtir ou cuire sous le grill ou pour rehausser la saveur du riz ou des vinaigrettes.

2 ml	(1/2 c. à thé) de toute-épice
2 ml	(1/2 c. à thé) de romarin déshydraté
5 ml	(1 c. à thé) de basilic déshydraté
5 ml	(1 c. à thé) de feuilles de thym moulu
10 ml	(2 c. à thé) d'origan moulu
5-10 ml	(1-2 c. à thé) de poivre de Cayenne
10 ml	(2 c. à thé) d'oignon haché fin déshydraté
10 ml	(2 c. à thé) d'ail haché fin déshydraté
7 ml	(1/2 c. à table) de sucre
15 ml	(1/2 c. à table) de sel cachet
45 ml	(3 c. à table) de paprika doux
1	feuille de laurier, écrasée en gros morceaux
2 ml	(1/2 c. à thé) de grains de poivre noir

Croûte :
 Donne 12 portions
 Toujours très populaire pour les desserts des Fêtes, elle le sera encore plus avec une croûte aux miettes de biscuits croquante.

1 échalote, environ 30 g (1 oz) pelé en morceaux de 1,25 cm (1/2 po)
 1 gousse d'ail, pelée et écrasée
 2 ml (1/2 c. à thé) de sel caché
 15 ml (1 c. à table) demoutarde de Dijon
 1 ml (1/4 c. à thé) desauce Worcestershire
 30 ml (2 c. à table) mayonnaise légère
 50 ml (1/4 tasse) de vinaigre de vin
 50 ml (1/4 tasse) d'huile d'olive extra vierge
 50 ml (1/4 tasse) d'huile de colza ou autre huile végétale non aromatisée

Mettez les grains de poivre entier dans le mélangeur et mélangez pendant 10 secondes; certains grains seront pulvérisés, les autres seront concassés. Retirez et réservez. Mettez les cubes de parmesan dans le récipient et mélangez pendant 20 secondes, raclant les parois du récipient.
 Ajoutez l'échalote, l'ail et le sel. Mélangez pendant 10 secondes. Raclez les parois du récipient. Ajoutez le reste des ingrédients dans l'ordre donné et mélangez pendant 10 secondes. Ajoutez les grains de poivre réservés et mélangez pendant 5 secondes. Transférez la sauce dans un récipient refermable et réfrigérez pendant 30 minutes ou plus pour en relever la saveur. Se garde au réfrigérateur pendant une semaine.

Analyse nutritionnelle par 15 ml (1 c. à table):
 Calories : 58 (90 % des matières grasses) • glucides : 1 mg • protéines : 1 g • matières grasses : 6 g • gras saturés : 1 g • cholestérol : 1 mg • sodium : 74 mg • calcium : 18 mg • fibres : 0 g

SAUCE CAROTTE ET GINGEMBRE À LA JAPONAISE

Cette sauce est servie sur la laitue Iceberg qui accompagne souvent le sushi. Elle se prépare facilement à la maison à l'aide de votre mélangeur SmartPower Premier Duet™ de Cuisinat®.

Donne environ 500 ml (2 tasses)

4 carottes pelées, en tranches de 1,25 cm (1/2 po)
 1 morceau de racine de gingembre, environ 5 cm (2 po)

VINAIGRETTE TYPE

Cette vinaigrette est délicieuse avec toutes les salades vertes croustillantes.

Donne environ 375 ml (1 1/2 tasses)

1 gousse d'ail, décortiquée

30 ml (2 c. à table) de moutarde de Dijon

125 ml (1/2 tasse) de vinaigre de vin

5 ml (1 c. à thé) de sel caché

2 ml (1/2 c. à thé) de poivre frais moulu

150 ml (2/3 tasse) d'huile d'olive extra vierge

150 ml (2/3 tasse) d'huile végétale

Mettez l'ail dans le récipient et placez le couvercle. Réglez à basse vitesse « LOW ». Hachez par pulsation, 5 fois. Ajoutez la moutarde, le vinaigre, le sel et le poivre. Mélangez pendant 5 à 10 secondes. Le mélangeur en marche, ajoutez les huiles en un lent filet continu; ceci prend environ 20 secondes, puis mélangez pendant 20 secondes de plus jusqu'à ce que le mélange soit émulsionné.

Variante : La vinaigrette type peut être modifiée en changeant le type de vinaigre, de moutarde ou d'huile. Essayez du jus de citron frais et un peu de miel pour obtenir une vinaigrette citronnée au miel. Ajoutez des herbes fraîches, des tomates séchées au soleil, du pesto ou autres assaisonnements.

Analyse nutritionnelle par 15 ml (1 c. à table):

Calories 109 (97 % venant du gras) • Glucides : 1 g • Protéines : 0 g • Matières grasses : 12 g • Gras saturés : 2 g • Cholestérol : 0 mg • Sodium : 86 g • Calcium : 1 mg • Fibres 0 g

SAUCE AUX GRAINS DE POIVRE ET PARMESAN

Excellente pour les salades de pâtes.

Donne 325 ml (1-1/3 tasses)

10 ml (2 c. à thé) de grains de poivre

30 g (1 oz) de fromage parmesan Reggiano en dés de 1,25 cm (1/2 po) ou moins

SAUCES / VINAIGRETTES

PESTO

Donne environ 150 ml (2/3 tasse)
 30 g (1 oz) de Parmigiano-Reggiano, en cubes de 1/2 po (1,25 cm)
 50 ml (1/4 tasse) de pignons ou noix grillées
 1 gousse d'ail pelée
 250 ml (1 tasse) de feuilles de basilic frais (compactées), lavées et complètement séchées
 50 ml (1/4 tasse) d'huile d'olive extra vierge
 2 ml (1/2 c. à thé) de sel cachet

Posez la lame à hacher dans le bol du robot de cuisine du SmartPower Premier Due™. Mettez la machine en marche à vitesse élevée et insérez le fromage par l'entonnoir; hachez finement, environ 10 à 15 secondes. Retirez et réservez. Placez les noix dans le bol et pulsez pour hacher, 5 fois. Retirez et réservez. La machine en marche, insérez l'ail par l'entonnoir et hachez, 5 secondes. Raclez le bol. Ajoutez les feuilles de basilic dans le bol. Hachez par pulsations, 5 fois pour hacher puis transformez jusqu'à ce qu'elles soient finement hachées, 5 secondes. La machine en marche, ajoutez l'huile d'olive en un filet continu pour créer une émulsion lisse. Raclez le bol. Ajoutez le sel, le fromage conservé et les noix hachées dans le bol. Transformez jusqu'à la formation d'un mélange lisse, 10 secondes environ. Transvidez dans un contenant refermable; couvrez d'une mince couche d'huile d'olive, fermez-le et réfrigérez jusqu'au moment de servir. Le pesto peut être congelé.

Analyse nutritionnelle par portion de 15 ml (1 c. à table):
 Calories 81 (86 % du gras) • glucides 1 g • protéines 2 g
 matières grasses 8 g • gras saturé 1 g
 cholestérol 2 mg • sodium 69 mg • calcium 42 mg • fibres 0 g

Donne 8 tasses environ

15 ml (1 c. à table) d'huile d'olive extra vierge
 1 oignon, 226 g (8 oz), pelé en morceaux de 1,25 cm (1/2 po)
 2 carottes, 115 g (4 oz), pelée en morceaux de 1,25 cm (1/2 po)
 2 grosses branches de céleri, nettoyées en morceaux de 1,25 cm (1/2 po)
 4 gousses d'ail, pelées
 5 ml (1 c. à thé) d'origan déshydraté
 5 ml (1 c. à thé) de basilic déshydraté
 4 poivrons rouges évidés et rôtis en morceaux de 2,5 cm (1 po)
 125 ml (1/2 tasse) de vin blanc (vermouth, par exemple)
 30 ml (2 c. à table) purée de tomates
 3 boîtes 425 g (15 oz) de tomates en dés avec le jus
 2 ml (1/2 c. à thé) de sel cachet
 1 ml (1/4 c. à thé) de poivre noir frais moulu

Faites chauffer l'huile d'olive dans une casserole de 3,5 L Cuisinart® sur feu modéré. Ajoutez l'oignon, les carottes, le céleri, l'ail et le basilic. Ajoutez les poivrons rouges, le vin, la purée de tomate et les tomates en remuant. Portez à ébullition puis réduisez la chaleur et laissez mijoter sur feu doux de 15 à 20 minutes de plus pour que le mélange épaisse. Étirez le feu et laissez reposer pendant 5 minutes.

Égouttez les légumes puis retournez le liquide de cuisson dans la casserole. Mettez les légumes dans le mélangeur; ajoutez 125 ml (1/2 tasse) du jus de cuisson. Couvrez le récipient et réglez à haute vitesse « LOW » et hachez par pulsation, 10 fois. Raclez la paroi du récipient à l'aide de la spatule de plastique. Mélangez pendant 20 à 30 secondes jusqu'à consistance lisse et crémeuse. Transférez le mélange de purée de tomate dans la casserole avec le liquide de cuisson et réchauffez sur feu moyen à doux. Ajoutez le sel et le poivre.

Analyse nutritionnelle par portion:

Calories : 48 (17 % des matières grasses) • glucides : 8 mg • protéines : 1 g
 • matières grasses : 1 g • gras saturés : 0 g
 cholestérol : 0 mg • sodium : 194 mg • calcium : 26 mg • fibres : 2 g

SAUCE TOMATE CAMPAGNARDE

Savoureuse et bonne pour la santé à la fois!

• protéines 1 g • matières grasses 7 g • gras saturé 2 g
 • cholestérol 0 mg • sodium 228 mg • calcium 23 mg • fibres 1 g

pendant au plus 2 heures (les légumes perdent leur croquant si on les laisse plus longtemps).

Analyse nutritionnelle par portion de 50 ml (1/4 tasse) :

Calories 183 (76 % du gras) • glucides 9 g • protéines 2 g

• matières grasses 16 g • gras saturé 2 g

• cholestérol 0 mg • sodium 137 mg • calcium 37 mg • fibres 3 g

SALADE DE CHOU CRU ASIATIQUE

Donne 1 L (4 tasses)

30 ml	(2 c. à table) de coriandre frais
184 g	(6-1/2 oz) de chou rouge
184 g	(6-1/2 oz) de chou vert (de Savoie)
60 g	(2 oz) d'oignon rouge
2,5 cm	(1 po) de gingembre frais, pelé
30 ml	(2 c. à table) de coriandre frais
30 ml	(2 c. à table) de vinaigre de riz non assaisonné
50 ml	(1/4 tasse) d'huile végétale
30 ml	(2 c. à table) de sucre granulé
4 ml	(3/4 c. à thé) de sel caché

Introduisez le coriandre dans le bol muni de la lame à hacher. Appuyez sur la touche « ON » et hachez le coriandre finement à vitesse élevée. Coupez le chou et l'oignon pour qu'ils passent dans l'entonnoir. Posez la lame à trancher sur le bol du robot culinaire. Tranchez le chou puis inversez la lame du côté râpe et transformez le gingembre. Placez-le dans le bol à mélanger. Transvasez dans le bol avec les légumes. Posez la lame à hacher. Ajoutez le vinaigre de riz, l'huile végétale, le sucre et le sel dans le bol. Appuyez sur la touche « ON » transformez à vitesse élevée jusqu'à ce que le mélange soit émulsifié, 15 secondes environ. Donne environ 75 ml (1/3 tasse). Versez la vinaigrette au goût sur le chou et mélangez.

Analyse nutritionnelle par portion de 125 ml (1/2 tasse) :
Calories 84 (71 % du gras) • glucides 6 g

2 petits zucchini (250 g - 1/2 lb environ), coupés pour passer dans l'entonnoir

3 carottes moyennes (250 g - 1/2 lb environ), pelées et coupées pour passer dans l'entonnoir

1/2 petite gousses d'ail, pelées

30 ml (2 c. à table) de vinaigre de tramboise

5 ml (1 c. à thé) de moutarde genre Dijon

1 ml (1/4 c. à thé) de sel caché

1 ml (1/4 c. à thé) de poivre frais moulu

50 ml (1/4 tasse) d'huile d'olive légère

30 ml (2 c. à table) d'amanides rôties effilées

Posez le disque à râper dans le bol et placez le couvercle sur le bol. Mettez la machine en marche. Placez le zucchini dans l'entonnoir. Appuyez sur « HIGH » et râpez en utilisant une pression moyenne. Transvasez dans un bol moyen. Placez les carottes dans l'entonnoir et râpez avec une pression ferme. Arrêtez la machine. Transvasez dans le bol avec le zucchini et combinez. Ne nettoyez pas le bol de la machine. Posez la lame à hacher dans le bol. Placez le couvercle sur le bol et mettez la machine en marche, puis à vitesse élevée. La machine en marche, introduisez l'ail par l'entonnoir et hachez-le, 5 secondes. Arrêtez la machine. Râclez le bol puis ajoutez le vinaigre, la moutarde, le sel et le poivre. Mettez la machine en marche, puis à vitesse élevée, combinez pendant 5 secondes. Laissez la machine en marche et ajoutez l'huile lentement par l'entonnoir. Transformez jusqu'à émulsion, environ 30 secondes. Arrêtez l'appareil.

Mélanguez le zucchini et les carottes râpées avec la vinaigrette, au goût. Transvasez dans un bol de service et garnissez d'amanides effilées. Servez immédiatement ou couvrez et laissez au réfrigérateur

Donne 4 portions

SALADE DE CAROTTE ET DE ZUCCHINI RAPÉS

Une salade simple et rapide pour toutes les saisons

• cholestérol 27 mg • sodium 304 mg • calcium 9 mg • fibres 1 g

• matières grasses 4 g • gras saturé 1 g

Calories 76 (47 % du gras) • glucides 8 g • protéines 2 g

Analyse nutritionnelle par crêpe :

cravettes/fromage en crème dans la moitié inférieure des feuilles.
 Disposez sur un plat de service plat. Couvrez et réfrigérez jusqu'au
 moment de servir. Saupoudrez avec le restant du persil conservé, juste
 avant de servir.

Analyse nutritionnelle par portion (une feuille fourrée) :

Calories 27 (43 % du gras) • glucides 2 g • protéines 2 g • matières grasses 1 g
• gras saturé 1 g • cholestérol 15 mg • sodium 41 mg • calcium 33 mg • fibres 2 g

LÉGUMES-RACINES GRATINÉS

Sert 8 personnes

Huile de cuisson en aérosol

375 ml (1-1/2 tasse) de crème épaisse

2 gousses d'ail, écrasées

1 ml (1/4 c. à thé) de romarin séché

226 g (8 oz) de pommes de terre rouges ou Yukon Gold,
 pelées, coupées pour passer dans l'entonnoir

115 g (4 oz) de patates, pelées, coupées pour passer dans
 l'entonnoir

226 g (8 oz) d'igname, pelé, coupé pour passer dans
 l'entonnoir

115 g (4 oz) de panais, pelé

10 ml (2 c. à thé) de sel cachet

5 ml (1 c. à thé) de poivre frais moulu

Placez tous les légumes pelés dans un bol et submergez-les dans
 l'eau froide.

Réchauffez le four à 375°F (190°C). Enduisez d'huile en aérosol un plat
 qui va au four de 1,2 litres (1-1/4 pinte).

Dans une petite poêle, placez la crème, l'ail écrasé et le romarin.
 Faites chauffer la crème tout près du point d'ébullition (ne faites pas
 bouillir). Réduisez le feu et laissez mijoter 10 minutes. Entre-temps,
 insérez le disque à trancher dans le bol. Placez les légumes-racines
 dans l'entonnoir. Mettez l'appareil en marche puis à vitesse élevée
 pour trancher les légumes en utilisant une pression moyenne.
 Disposez les légumes tranchés dans le plat préparé, faisant chevau-
 cher les tranches légèrement légèrement dans un cercle. Créez de nouvelles cou-

CRÊPES DE POMMES DE TERRE

Donne huit crêpes de 5 cm (2 po)

1 oignon vert haché (15 ml - 1 c. à table)

340 g (12 oz) de pommes de terre Yukon Gold, pelées,
 coupées pour passer dans l'entonnoir

60 g (2 oz) d'oignon jaune

1 œuf légèrement battu

5 ml (1 c. à thé) de sel cachet

30 ml (2 c. à table) d'huile végétale

Placez l'oignon vert dans le bol muni de la lame à hacher. Appuyez sur
 la touche « ON » puis hachez finement à vitesse élevée. Posez le
 disque râpeur et mettez le couvercle sur le bol. Introduisez les
 pommes de terre dans l'entonnoir et râpez-les à vitesse élevée.

Continuez ainsi jusqu'à ce que toutes les pommes de terre soient
 transformées puis faites l'oignon jaune. Transvidez le contenu du bol
 sur une serviette à thé propre, étalée sur le comptoir. Au-dessus de
 l'évier ou d'un bol, utilisez la serviette pour extraire autant du liquide
 que possible des pommes de terre et de l'oignon. Placez les ingrè-
 dents dans un bol de mélange. Ajoutez l'œuf, le sel, le poivre et
 mélangez bien. Placez une poêle antiadhésive de 25 cm (10 po) sur
 feu moyen. Ajoutez l'huile végétale. Formez de petites crêpes à la

main, extrayant tout liquide restant. Quand l'huile pétillera dans la poêle,
 placez-y les crêpes. Faites cuire environ 3 minutes de chaque côté
 jusqu'à ce que les crêpes soient brun doré ou cuites au goût.

Servez chaud.

chefs de légumes jusqu'à ce que toutes les tranches soient utilisées.
 Salez et poivrez généreusement chaque couche. Terminez en versant
 la crème chaude sur les légumes. Couvrez d'une feuille d'aluminium et
 légèrement enduite d'huile de cuisson. Placez sur une tôle au centre
 du four et faites cuire 45 minutes. Enlevez la feuille d'aluminium et
 faites cuire environ 30 minutes de plus jusqu'à ce que le gratin soit
 doré et bouillonnant. Retirez du four et laissez reposer 5 à 10 minutes.

Analyse nutritionnelle par portion :

Calories 235 (62 % du gras) • glucides 21 g • protéines 2 g • matières grasses 17 g
• gras saturé 10 g • cholestérol 61 mg • sodium 613 mg • calcium 46 mg • fibres 3 g

Placez le persil dans le bol muni de la lame à hacher. Mettez l'appareil en marche et hachez finement, 10 secondes environ. Retirez et conservez. Placez les échalotes dans le bol et hachez finement par pulsations à vitesse élevée, 10 pulsations environ. Chauffez le beurre dans un poêlon antiadhésif Cuisinart® de 20 cm (8 po) sur feu moyen. Ajoutez l'échalote et faites cuire jusqu'à ce que brun doré, 5 à 6 minutes. Réduisez le feu et intégrez l'aneth. Mettez de côté pour refroidir. Ajoutez les crevettes dans le bol et pulsez 5 fois. Retirez et conservez. Transformez le fromage en crème jusqu'à ce que lisse et crémeux, 15 secondes environ. Raclez le bol. Ajoutez la moitié du persil conservé, le mélange d'échalote refroidi et les crevettes hachées. Combinez par pulsations, 8 fois environ. Coupez 1,25 cm (1/2 po) du bas des feuilles et étalez une petite quantité (10 ml - 2 c. à thé) du mélange de

Donne 30 gueuletons [300 ml (1 1/4 tasse) de garniture aux crevettes]

30 ml (2 c. à table) de feuilles de persil frais
2 échalotes, pelées et en quartiers
15 ml (1 c. à table) de beurre non salé
5 ml (1 c. à thé) d'aneth
170 g (6 oz) de crevettes cuites, pelées, déveinées, en morceaux de 2,5 cm (1 po)
115 g (4 oz) de fromage en crème écrémé, en dés de 2,5 cm (1 po)
2-3 chicorées belges (30 feuilles)

Un petit amusement-gueule pas compliqué, facile à préparer d'avance.

CHICORÉE FOURRÉE AUX CREVETTES

Calories 88 (41 % du gras) • glucides 11 g • protéines 3 g • matières grasses 4 g • gras saturé 1 g • cholestérol 0 mg • sodium 699 mg • calcium 12 mg • fibres 3 g
Analyse nutritionnelle par portion de 1/3 tasse (75 ml) :

Placez les pignons dans le bol muni de la lame à hacher. Placez le couvercle sur le bol et appuyez sur la touche « ON », puis sur la touche « PULSE ». Hachez par pulsations, à vitesse élevée jusqu'à ce qu'ils soient finement hachés. Ajoutez le reste des ingrédients et hachez par pulsations à vitesse élevée jusqu'à ce que tous les ingrédients soient incorporés et homogènes. Servez comme trempette avec des craquelins ou des crudités.

170 g (16 oz) de ton en boîte, dans l'huile*
25 ml (1-1/2 c. à table) de câpres
15 ml (1 c. à table) de persil frais
5 ml (1 c. à thé) de jus de citron
2 ml (1/2 c. à thé) d'origan séché
1 ml (1/4 c. à thé) de sel
5 ml (1 c. à thé) d'huile d'olive extra vierge (au choix)

Placez l'origon rouge dans le bol muni de la lame à hacher. Mettez le couvercle sur le bol et appuyez sur la touche « ON ». Hachez l'origon à vitesse élevée, 15 secondes environ. Ajoutez le thon, 15 ml (1 c. à table) de câpres, le persil, le jus de citron, l'origan et le sel. Mélangez par pulsations à vitesse élevée jusqu'à ce que le mélange de thon soit bien mélangé, 6 à 8 fois. Si le mélange semble sec, ajoutez 5 ml (1 c. à

Ajoutez 7 ml (1/2 c. à table) de câpres et mélangez par pulsations 2 ou 3 fois pour maintenir la texture des câpres. Transférez dans un plat de service ou dans un contenant refermable. Couvrez et réfrigérez si vous ne le servez pas immédiatement.

* Le thon italien importé, conservé dans l'huile d'olive, donne la meilleure saveur pour cette recette.

Analyse nutritionnelle par portion de 50 ml (1/4 tasse) :
Calories 88 (37 % du gras) • glucides 1 g • protéines 13 g • matières grasses 4 g • gras saturé 1 g • cholestérol 8 mg • sodium 288 mg • calcium 13 mg • fibres 0 g

TAPENADE AUX ARTICHAUTS

Donne 250 ml (1 tasse)

30 ml (2 c. à table) de pignons, rôtis
1 boîte de 396 g (14 oz) de coeurs d'artichauts, drainés
2 moitiés de tomate séchée au soleil, tranchée
15 ml (1 c. à table) d'origon vert
50 ml (1/4 tasse) de feuilles de persil italien frais (bien tassées)
5 ml (1 c. à thé) d'huile d'olive extra vierge
1 ml (1/4 c. à thé) de sel cachet

30 ml (2 c. à table) d'huile d'olive extra vierge

Placez le persil dans le bol muni de la lame à hacher. Mettez le couver-

cle sur le bol et appuyez sur la touche « ON » puis sur la touche « PULSE ». Hachez par pulsations à vitesse élevée 8 à 10 fois. Retirez l'ail rôti, les pois chiches, le jus de citron, le tahin, le sel et le cummin dans le bol. Appuyez sur la touche « ON » et trans-

formez à vitesse élevée jusqu'à consistance lisse, 30 à 40 secondes environ. La machine en marche, ajoutez 25 ml (1 - 1/2 c. à table) d'huile

d'olive en filet fin et lent, environ 20 secondes, jusqu'à ce que com-
plètement mélangé. Appuyez sur la touche « OFF ». Transvasez dans un plat de service, aspergez le restant de l'huile et saupoudrez le persil haché. Servez à température de la pièce avec des coins de pita, des

croustilles de pita ou des crudités.

* Pour rôtir l'ail, pelez autant de gousses que requis (elles se conser-
vent au réfrigérateur pendant une semaine dans un contenant hermé-
tique; donc préparez-en plusieurs) et mélangez-les dans un petit peu

d'huile d'olive. Placez-les au centre d'une feuille d'aluminium épaisse et rôtissez au four à 200°C (400°F) pendant 35 à 45 minutes, jusqu'à ce que tendres et dorées. L'arôme âcre de l'ail s'adoucitra.

Analyse nutritionnelle par portion de 1/3 tasse (75 ml) :

Calories 181 (50 % du gras) • glucides 17 g • protéines 7 g

• matières grasses 10 g • gras saturé 1 g

• cholestérol 0 mg • sodium 389 mg • calcium 60 mg • fibres 6 g

GUACAMOLE

Donne 250 ml (1 tasse)

1 petite gousse d'ail

2 avocats moyens mûrs, environ 250 ml (1 tasse) de pulpe

10 ml (2 c. à thé) de jus de citron

2 ml (1/2 c. à thé) de sel

1 ml (1/4 c. à thé) de poudre de chili

Placez l'ail dans le bol muni de la lame à hacher. Mettez la machine en

marche et transformez à vitesse élevée jusqu'à ce que finement haché, environ 10 secondes. Ajoutez le reste des ingrédients dans le bol et hachez par pulsations à vitesse élevée pendant environ 1 1/2 minutes, jusqu'à ce que le mélange soit lisse et crémeux.

SALSA DE TOMATES CERISES

Donne environ 250 ml (1 tasse)

50 ml (1/4 tasse) de feuilles de coriandre frais

1 petite gousse d'ail, pelée

1 poivron jalapeño, en moitié, sans pépins, en dés de

1,25 cm (1/2 po)

1 oignon vert, découpé (gardez un peu de vert), coupé

1 en dés de 1,25 cm (1/2 po)

1 chopine de tomates cerises

5 ml

(1 c. à thé) de jus de lime frais

5 ml (1 c. à thé) de sel cachet

Placez le coriandre dans le bol muni de la lame à hacher. Mettez le couvercle sur le bol et appuyez sur la touche « ON ». Le robot culinaire fonctionnant à vitesse élevée, ajoutez l'ail par l'entonnoir et trans-

formez jusqu'à ce que finement haché, environ 5 secondes. Raclez le bol et ajoutez le jalapeño, l'oignon, les tomates, le jus de lime et le sel. Appuyez sur « PULSE » à vitesse élevée jusqu'à ce que grossièrement haché, 8 à 10 fois environ.

Analyse nutritionnelle par 15 ml (1 c. à table) :

Calories 8 (9 % du gras) • glucides 2 g • protéines 0 g • matières grasses 0 g

• gras saturé 0 g • cholestérol 0 mg • sodium 170 mg • calcium 4 mg • fibres 0 g

15 g (1/2 oz) d'oignons rouges

Donne 250 ml (1 tasse)

THON À LA MÉDITERRANÉENNE

Servez immédiatement ou couvrez la guacamole d'une pellicule plastique pour éviter l'oxydation.

Analyse nutritionnelle par portion de 50 ml (1/4 tasse) :

Calories 104 (79 % du gras) • glucides 5 g • protéines 1 g

• matières grasses 10 g • gras saturé 1 g

• cholestérol 0 mg • sodium 301 mg • calcium 9 mg • fibres 3 g

500 ml (2 tasses) de farine tout-usage
500 ml (2 tasses) de lait évaporé, sans matières grasses
2 ml (1/2 c. à thé) de sel cachet
75 ml (5 c. à table) de beurre non salé, fondu
 Préchauffez le four à 190°C (375°F). Graissez généreusement 18 rame-
 quins ou moules à muffins de 125 ml (1/2 tasse) d'huile de cuisson en
 aérosol ou de beurre fondu.
 Mettez les oeufs, la farine, le lait et le sel dans le mélangeur dans l'ordre
 donné; couvrez et réglez à basse température « LOW ». Malaxez pendant
 10 secondes. Raciez les parois du récipient au besoin. Le mélangeur en
 marche, ajoutez le beurre fondu en un filet continu et malaxez pendant 10
 secondes. Laissez la pâte reposer pendant 10 à 15 minutes.
 Distribuez la pâte également dans les ramequins ou moules et faites cuire
 au four jusqu'à ce qu'ils soient gonflés et dorés, environ 40 minutes. À
 l'aide d'un cure-dent, percez chaque popover plusieurs fois et faites cuire
 encore 5 minutes. Retirez du four, détachez des moules à l'aide d'un
 couteau à lame mince et démoulez délicatement. Servez chaud.

Analyse nutritionnelle par popover :
Calories : 126 (37 % des matières grasses) • glucides : 14 mg • protéines : 0 g
matières grasses : 5 g • gras saturés : 3 g
cholestérol : 79 mg • sodium : 91 mg • calcium : 93 mg • fibres : 0 g

Popovers au pesto : ajoutez 125 ml (1/2 tasse) de pesto (page 18) à
 la pâte. Faites cuire selon les directions ci-dessus.

HUMMUS À L'AIL RÔTI

Donne environ 2 1/3 tasses (500 ml)
30 ml (2 c. à table) de feuilles de persil italien
8-12 gosses d'ail rôti, refroidies*
500 ml (2 tasses) de pois chiche en conserve, rincés et drainés
125 ml (1/2 tasse) de jus de citron frais
50 ml (1/4 tasse) de tahin
10 ml (2 c. à thé) de sel cachet
2 ml (1/2 c. à thé) de cumin

500 ml (2 tasses) de bouillon de légumes ou de poulet,
2 **boîtes de tomates hachées, 465 ml (15 1/2 oz)**
avec le jus
2 **poivrons rouges évidés et rôtis**
2 ml (1/2 c. à thé) de sel cachet
0,5 ml (1/8 c. à thé) de poivre blanc
125 ml (1/2 tasse) de moitié-moitié

Faites chauffer le beurre et l'huile d'olive dans une casserole de 3,5 L
 Cuisinart® sur feu modéré à bas. Ajoutez les oignons, le céleri et la
 carotte; couvrez et faites cuire jusqu'à ce qu'ils soient tendres, environ
 8 à 10 minutes. Ajoutez le riz et le basilic en remuant et faites cuire
 jusqu'à ce que le riz soit opaque, 2 minutes. Ajoutez le bouillon et les
 tomates, augmentez la chaleur et portez à ébullition. Réduisez la
 chaleur et laissez mijoter sur feu doux environ 20 à 25 minutes.
 Éteignez le feu et laissez reposer pendant 5 minutes.

Égouttez les légumes; réservez le liquide de cuisson. Mettez les
 légumes dans le mélangeur; ajoutez 250 ml (1 tasse) du jus de cuisson
 réservé et mettez le reste du liquide dans la casserole. Couvrez le
 récipient et réglez à haute vitesse « HIGH ».
 Hachez par pulsations, 10 fois, puis mélangez pendant 30 à 40 secon-
 des jusqu'à consistance lisse et crémeuse.

Ajoutez le sel et le poivre, mélangez 5 secondes de plus. Retournez le
 mélange de tomates au liquide de cuisson dans la casserole. Faites
 chauffer sur feu modéré jusqu'à ce qu'il commence à mijoter puis
 ajouter la moitié-moitié. Ne faites pas bouillir. La soupe peut être pré-
 parée à l'avance et réchauffée au besoin. Si vous la préparez d'avance,
 n'ajoutez la moitié-moitié que lorsque vous réchaufferez la soupe.

POPOVERS PARFAITS

Analyse nutritionnelle par portion :
Calories : 67 (28 % des matières grasses) • glucides : 13 mg • protéines : 3 g
matières grasses : 3 g • gras saturés : 1 g • cholestérol : 7 mg • sodium : 367 mg
calcium : 47 mg • fibres : 3 g

Donne 18 popovers
6 **gros oeufs**

sel et le poivre. Faites cuire sur feu modéré, remuant fréquemment jusqu'à ce que la soupe épaississe, environ 6 à 8 minutes. Ne faites pas bouillir. Goûtez et assaisonnez.

Servez dans des bols préchauffés et garnissez du reste de persil.

Analyse nutritionnelle par portion :

Calories : 98 (59 % des matières grasses) • glucides : 4 g • protéines : 1 g

• matières grasses : 7 g • gras saturés : 4 g

• cholestérol : 19 mg • sodium : 510 mg • calcium : 56 mg • fibres : 2 g

VELOUTÉ AUX POMMES DE TERRE ET POIREAUX

Ce savoureux potage est tout aussi délicieux servi chaud ou froid.

Donne 6 portions

2
poireaux moyens, partie blanche et vert tendre
seulement coupé horizontalement en morceaux de
1,25 cm (1/2 po)

15 ml (1 c. à table) de beurre non salé

1 petit oignon, 90 à 115 g (3-4 oz), pelé en morceaux

1 de 1,25 cm (1/2 po)

1 ml (1/4 c. à thé) de thym

2 pommes de terre à peau rugueuse, environ 375 g

(3/4 lb) pelées, en morceaux de 2,5 cm (1 po)

375 ml (1 1/2 tasse) de bouillon de poulet, pauvre en sodium

et en gras

175 ml (3/4 tasse) d'eau

5 ml (1/2 c. à thé) de sel cachet

2 ml (1/2 c. à thé) de poivre blanc

175 ml (3/4 tasse) de crème moitié-moitié

Placez les poireaux dans une casserole moyenne et ajoutez l'eau

froide. Remuez et laissez reposer pendant quelques minutes. Retirez

de l'eau sans brouillier les dépôts de sable au fond de la casserole.

Laissez-les égoutter complètement.

Faites fondre le beurre dans une casserole Cuisinart® sur feu modéré.

Ajoutez les poireaux égouttés, l'oignon et le thym. Faites cuire jusqu'à

ce qu'ils soient tendres, environ 3 à 5 minutes. Ajoutez les pommes de

terre, le bouillon et l'eau, couvrez et portez à ébullition sur feu modéré

à chaud.

Réduisez la chaleur et laissez mijoter, à découvert, jusqu'à ce que les

pommes de terre soient tendres, environ 10 à 15 minutes.

Égouttez les légumes; réservez le liquide de cuisson. Mixez les

légumes dans le mélangeur; ajoutez 250 ml (1 tasse) du jus de cuisson

réservé et mettez la balance du liquide dans la casserole. Couvrez le

réceptacle et réglez à haute vitesse « HIGH ». Mélangez de 20 à 30

secondes. Raciez les parois du récipient et mélangez encore jusqu'à

consistance crémeuse et lisse, environ 10 à 15 secondes. Ajoutez le

mélange de purée de légumes au bouillon dans la casserole et

réchauffez sur feu modéré à bas. Ajoutez le sel, le poivre et la

Analyse nutritionnelle par portion :

Calories : 132 (37 % des matières grasses) • glucides : 18 mg • protéines : 3 g

• matières grasses : 6 g • gras saturés : 3 g

• cholestérol : 16 mg • sodium : 369 mg • calcium : 56 mg • fibres : 3 g

Variante : Vous pouvez changer cette soupe en Potage velouté au

resson. Il suffit d'ajouter 1 boîte de cresson, lavé et séché. Enlevez

les feuilles et mettez-les de côté. Hachez les tiges pour obtenir 375 ml

(1 1/2 tasse). Ajoutez-les au mélange de légumes à cuire dans la

casserole. Suivez la recette. Ajoutez les feuilles de cresson réservées

au mélange en même temps que la crème moitié-moitié. Servez chaud

ou froid.

BISQUE TOMATES ET POIVRONS ROUGES VELOUTÉ

Ce potage velouté se présente très bien en toutes occasions.

Donne 8 portions

5 ml (1 c. à thé) de beurre non salé

5 ml (1 c. à thé) d'huile d'olive vierge

1 petit oignon, 115 g (4 oz), pelé en morceaux de

1,25 cm (1/2 po)

1 grosse branche de céleri, 60 g (2 oz), nettoyé en

morceaux de 1,25 cm (1/2 po)

1 carotte, 60 g (2 oz), pelée en morceaux de 1,25 cm (1/2 po)

30 ml

(2 c. à table) de riz blanc

(1 c. à thé) de basilic

1 ml (1/4 c. à thé) de poivre frais moulu

Placez l'ail dans le mélangeur. Mettez le couvercle sur le récipient. Réglez à basse vitesse « LOW ». Hachez par pulsations, 10 fois. Ajoutez 250 ml (1 tasse) de jus de tomate ou cocktail de légumes, puis le céleri, le con-combre, les poivrons vert et rouge, le piment jalapeño et les échalotes. Réglez à basse vitesse et mélangez jusqu'à ce que les légumes soient hachés moyennement fins, soit pendant 5 à 10 secondes.

Transférez dans un grand bol de service. Versez le reste du jus de tomate / cocktail de légumes dans le mélangeur et ajoutez les tomates fraîches. Réglez à basse vitesse et hachez par pulsations 10 fois ou mélangez jusqu'à consistance plus crémeuse, si vous préférez. Ajoutez au bol de légumes et de jus. Assaisonnez de vinaigre de vin ou de jus de citron, sel et poivre. Réfrigérez avant de servir.

Analyse nutritionnelle par portion :
 Calories : 51 (5 % des matières grasses) • glucides : 11 g • protéines : 2 g
 • matières grasses : 0 g • gras saturés : 0 g
 • cholestérol : 0 mg • sodium : 429 mg • calcium : 28 mg • fibres : 2 g

POTAGE GLACÉ AU MELON ET À LA MANGUE

Le doux mélange du cantaloup et de la mangue relève de jus d'orange nous donne cette délicieuse et rafraîchissante soupe. Excellente à l'heure du brunch ou pour parachèver un repas d'été.

Donne 8 portions

2-3 tranches de gingembre frais (la taille d'une pièce de vingt-cinq cents)

1 mangue d'environ 360 à 420 g (12-14 oz), pelée et évidée, en morceaux de 2,5 cm (1 po)

1 cantaloup d'environ 1,5 kg (3 lb) pelé et évidé, en morceaux de 2,5 cm (1 po)

125-250 ml (1/2-1 tasse) de jus d'orange

Placez le gingembre, la mangue et le melon et 125 ml (1/2 tasse) de jus d'orange dans le récipient et mettez le couvercle. Réglez à basse vitesse « LOW » et mélangez jusqu'à consistance lisse, environ 20 à 30 secondes. Ajoutez autant de jus d'orange que nécessaire pour obtenir la consistance d'un potage épais. Réfrigérez complètement avant de servir. Vous pouvez garnir de framboises ou de bleuets frais ou d'une feuille de menthe.

VELOUTÉ AUX ASPERGES

Préparez ce potage au printemps quand les asperges fraîches sont des plus tendres et savoureuses.

Donne 8 portions de 170 ml

175 ml (3/4 tasse) de feuilles de persil italien, lavé et séché

45 ml (3 c. à table) de beurre non salé

150 ml (2/3 tasse) d'oignon ou poireau haché

500 g (1 lb) d'asperges préparées en morceaux de 2,5 cm (1 po)

750 ml (3 tasses) bouillon de légumes ou de poulet, pauvre en sodium

250 ml (1 tasse) de crème moitié-moitié

15 ml (1 c. à table) de féculé de maïs

375 ml (1 1/2 tasse) d'eau froide

5 ml (1 c. à thé) de sel cachet

2 ml (1/2 c. à thé) de poivre blanc

Placez le persil dans le mélangeur et mettez le couvercle. Réglez à basse vitesse « LOW » et hachez grossièrement par pulsations, 4 ou 5 fois. Retirez et mettez de côté. Faites fondre le beurre dans une casserole Cuisinart® sur feu modéré. Ajoutez l'oignon et faites cuire jusqu'à ce qu'il soit tendre, pas brun, environ 2 à 3 minutes. Ajoutez les asperges, le bouillon et le persil réservé, moins 15 ml (1 c. à table). Couvrez et portez à ébullition sur feu modéré à chaud. Réduisez la chaleur et laissez mijoter, partiellement couvert, jusqu'à ce que les asperges soient tendres, environ 10 à 12 minutes.

Passés; réservez les solides et liquides. Laissez refroidir pendant 5 minutes. Mettez les solides dans le mélangeur avec 250 ml (1 tasse) du jus de cuisson réservé. Mettez la balance du liquide dans la casserole. Couvrez le récipient et réglez à basse vitesse « LOW ». Mettez le mélangeur en marche et mélangez jusqu'à consistance crémeuse et lisse, environ 25 à 30 secondes. Arrêtez le mélangeur. Remettez le mélange de purée de légumes dans la casserole et remuez pour combiner. Ajoutez la moitié-moitié.

Délaissez la féculé de maïs dans l'eau et ajoutez à la soupe. Ajoutez le

Analyse nutritionnelle par portion :
 Calories : 68 (2 % des matières grasses) • glucides : 17 g • protéines : 1 g
 • matières grasses : 0 g • gras saturés : 0 g
 • cholestérol : 0 mg • sodium : 14 mg • calcium : 17 mg • fibres : 1 g

COSMOPOLITAIN GLACÉ

Peut-on perfectionner un classique? Bien sûr! Essayez notre boisson Cosmopolitain glacée Cuisinart.

Donne 8 portions

500 ml (2 tasses) de jus de canneberge

300 ml (10 oz) de vodka réfrigérée (la vodka aromatisée au

citron convient)

60 ml (2 oz) de jus de lime

60 ml (2 oz) de triple-sec ou cointreau

Torsades de lime pour garnir

Versez le jus de canneberge dans un plateau à cubes de glace et faites congeler. Mettez la vodka, le triple-sec et les cubes de jus de canneberge congelé dans le mélangeur dans l'ordre donné. Mélangez à haute vitesse « HIGH » pendant 25 à 30 secondes jusqu'à ce que le mélange soit homogène. Servez immédiatement dans des verres à martini ou verres à pied refroidis et décorez d'une torsade de lime.

Analyse nutritionnelle par portion :

Calories : 142 (1 % des matières grasses) • glucides : 12 g • protéines : 0 g

• matières grasses : 0 g • gras saturés : 0 g

• cholestérol : 0 mg • sodium : 25 mg • calcium : 3 mg • fibres : 0 g

Cointreau® est une marque de commerce déposée de la Société Cointreau.

DAQUIRI GLACÉ

Un cocktail glacé classique.

Donne 4 portions

170 ml (6 oz) de limonade surgelée

145 ml (5 oz) de rhum léger

750 ml (3 tasses) de cubes de glace

Mettez les ingrédients dans le mélangeur dans l'ordre donné. Placez le couvercle sur le récipient. Mélangez à haute vitesse « HIGH » jusqu'à consistance lisse et constante environ 30 à 40 secondes. Arrêtez le

mélangeur et servez immédiatement.

Analyse nutritionnelle par portion :

Calories : 92 (0 % des matières grasses) • glucides : 14 g • protéines : 0 g

• matières grasses : 0 g • gras saturés : 0 g

• cholestérol : 0 mg • sodium : 2 mg • calcium : 2 mg • fibres : 0 g

Pour des daiquiris au fruits congelés, ajoutez 500 à 750 ml (2-3 tasses) de fruits (fraises, pêches, melon, etc.) coupés en morceaux de 2,5 cm (1 po). Pour obtenir une saveur de fruit plus prononcée, faites congeler des fruits dans le bac à cubes de glace et substituez-les aux cubes de glace.

SOUPES, TARTINADES, TREMPETTES ET AUTRES

Pour obtenir des meilleurs résultats lorsque vous mélangez des herbes fraîches, les herbes, le mélangeur et le bloc de coupe doivent être propres et secs.

GASPACHO GLACÉ

Une des recettes préférées de Cuisinart, le Gaspacho glacé

préparé avec des tomates mûres cueillies de frais est

parfait pour les soirées chaudes d'été.

Donne 8 portions d'environ 180 ml (6 oz) chacune.

1-2 gousses d'ail émincées

750 ml (3 tasses) de jus de tomate ou de cocktail de légumes, divisé

1 grosse branche de céleri, pelée, en morceaux de 2,5 cm (1 po)

1 gros concombre, pelé, coupé sur la longueur en

1 morceaux de 2,5 cm (1 po)

1/2 poivron vert, évidé, en morceaux de 2,5 cm (1 po)

1/2 poivron rouge, évidé, en morceaux de 2,5 cm (1 po)

1 gros piment jalapeño, évidé, en morceaux de 1,25 cm (1/2 po)

6 échalotes, en morceaux de 1,25 cm (1/2 po)

4 tomates moyennes, évidées, en morceaux de 2,5 cm (1 po)

45 ml (3 c. à table) de vinaigre de vin ou de jus de citron

2 ml (1/2 c. à thé) de sel cachet

Mettez tous les ingrédients dans le mélangeur dans l'ordre ci-dessus; placez le couvercle sur le récipient. Réglez à la vitesse « HIGH » et mélangez jusqu'à consistance lisse et détrempeée, environ 30 à 40 secondes. Servez immédiatement dans un grand verre. Garnissez d'une cuillerée de crème fouettée, au goût.

Analyse nutritionnelle par portion :

Calories : 138 (0 % des matières grasses) • glucides : 33 g • protéines : 1 g • matières grasses : 0 g • gras saturés : 0 g • cholestérol : 0 mg • sodium : 37 mg • calcium : 6 mg • fibres : 0 g

Pour un lait frappé crémeux, ajoutez 30 ml (2 c. à table) de moitié-moitié avant de mélanger.

* Peut être confectionné avec du café express instantané.

MARGARITAS À LA MANGUE GLACÉE

Donne 6 portions

500 ml (2 tasses) de dés de mangue (frais ou surgelés,

partiellement décongelés)

125 ml (1/2 tasse) de Tequila

80 ml (1/3 tasse) de triple-sec ou cointreau

80 ml (1/3 tasse) de jus de lime frais

60 ml (4 c. à table) de sucre superfine

750 ml (3 tasses) de cubes de glace

Mettez tous les ingrédients dans le mélangeur dans l'ordre ci-dessus; placez le couvercle sur le récipient. Réglez à la vitesse « HIGH » et mélangez jusqu'à consistance lisse et détrempeée, environ 30 à 40 secondes. Mettez le mélangeur hors tension. Servez immédiatement.

Analyse nutritionnelle par portion :

Calories : 158 (1 % des matières grasses) • glucides : 23 g • protéines : 0 g • matières grasses : 0 g • gras saturés : 0 g • cholestérol : 0 mg • sodium : 5 mg • calcium : 9 mg • fibres : 1 g

Remarque : Pour un margarita sans alcool, remplacez le triple-sec et le cointreau par 250 ml (8 oz) de jus de fruit tel le nectar d'abricot ou le jus de canneberge.

Cointreau® est une marque déposée de la Société Cointreau.

Donne 4 portions

500 ml (2 tasses) de lait à basse teneur en matières grasses

2 bananes en morceaux de 2,5 cm (1 po)

500 ml (2 tasses) de yaourt au chocolat léger surgelé

30 ml (2 c. à table) de sirop au chocolat

Mettez tous les ingrédients dans le mélangeur dans l'ordre ci-dessus; placez le couvercle sur le récipient. Réglez à la vitesse « HIGH » et mélangez jusqu'à consistance lisse, crémeuse et épaisse, environ 40 à 50 secondes. Servez immédiatement dans un grand verre avec une paille.

Analyse nutritionnelle par portion :

Calories : 257 (18 % des matières grasses) • glucides : 46 g • protéines : 8 g • matières grasses : 5 g • gras saturés : 3 g • cholestérol : 19 mg • sodium : 95 mg • calcium : 216 mg • fibres : 2 g

MOCHA FRAPPÉ

Donne 2 portions

240 g (8 oz) de café express ou de café très fort, glacé*

50 ml (1/4 tasse) de sauce au chocolat

30 ml (2 c. à table) de sirop aromatisé à la vanille, noisette,

amande, framboise, etc.

15 cubes de glace

RECETTES

LAITS FRAPPÉS, BARBOTINES, LAITS FOUETTES, BOISSONS GLACÉES

LAIT FRAPPÉ AU YAOURT ET FRUITS FRAIS

Les fruits frais étagés se combinent en un rien de temps pour préparer ce lait frappé aux fruits.

Donne 6 portions de 250 ml (8 oz)

125 ml (1/2 tasse) de jus d'orange

250 ml (1 tasse) de cantaloup, en dés de 2,5 cm (1 po)

250 ml (1 tasse) de framboises fraîches ou congelées

250 ml (1 tasse) d'ananas en morceaux de 2,5 cm (1 po) frais,

en boîte ou congelé

250 ml (1 tasse) de quartiers d'orange navel en morceaux de 2,5 cm (1 po)

et en moitiés

250 ml (1 tasse) de fraises fraîches ou congelées, équeutées

250 ml (1 tasse) de mangues en morceaux de 2,5 cm (1 po)

1 banane moyenne, en tranches de 1,25 cm (1/2 po)

250 ml (1 tasse) de cubes de glace (environ 6 cubes moyens)

Mettez tous les ingrédients par couches dans le mélangeur, dans l'ordre ci-dessus. Placez le couvercle. Réglez-le à haute vitesse « HIGH »

et mélangez pendant 20 à 30 secondes jusqu'à consistance lisse.

Arrêtez le mélangeur.

Remarque : Plus les fruits sont mûrs, plus sucré sera le lait frappé.

Analyse nutritionnelle par portion :

Calories : 101 (4 % des matières grasses) • glucides : 25 • protéines : 2 g •

matières grasses : 0 g • gras saturés : 0 g •

cholestérol : 0 mg • sodium : 10 mg • calcium : 35 mg • fibres : 4 g

LAIT FRAPPÉ AU YAOURT ET FRUITS

Boisson délicieuse pour les « petits déjeuners à la course » :

Choisissez les fruits au goût. Augmentez l'apport en calcium en utilisant du jus d'orange enrichi de calcium.

Donne 1,4 L (48 oz)

500 ml (2 tasses) de morceaux d'ananas

1 banane moyenne, en morceaux de 2,5 cm (1 po)

250 ml (1 tasse) de jus d'orange

250 ml (1 tasse) de yaourt à la vanille sans gras

500 ml (2 tasses) de fraises surgelées (non décongelées)

Mettez tous les ingrédients dans le récipient du mélangeur dans l'ordre ci-dessus. Réglez à la vitesse « HIGH » et mélangez jusqu'à consistance lisse et crémeuse, environ 20 secondes. Servez immédiatement ou réfrigérez.

Analyse nutritionnelle par portion (basé sur 6 portions) :

Calories : 105 (4 % des matières grasses) • glucides : 25 g • protéines : 3 g

matières grasses : 0 g • gras saturés : 0 g • cholestérol : 1 mg • sodium : 23 mg

• calcium : 76 mg • fibres : 2 g

BARBOTINE TO-FRUITTI

On a beau dire ce qu'on veut du tofu, le fait demeure qu'il est une bonne source de protéines et qu'il remplace fort bien les produits laitiers dans les barbotines. Utilisez les fruits au choix.

Donne 1,4 L (48 oz)

500 ml (2 tasses) de mangues en morceaux de 2,5 cm (1 po)

environ 12 onces (340 ml)

1 banane moyenne, en tranches de 2,5 cm (1 po)

250 ml (1 tasse) de jus d'orange, de pomme ou d'autres fruits

250 ml (1 tasse) de lait ou de boisson au soya

15 ml (1 c. à table) d'extrait de vanille

250 ml (1 tasse) de tofu à texture fine en morceaux de 2,5 cm (1 po)

500 ml (2 tasses) de fraises surgelées (non décongelées)

code de la date de fabrication comporte 4 ou 5 chiffres qui sont parfois suivis d'une lettre. Par exemple : 40630K, désigne l'année, le mois et le jour (2004, juin, 30)

Advenant que la Sorbetière de qualité commerciale Supreme™ Cuisinart® fasse défaut au cours de la période de garantie, nous la réparons ou, si nous le jugeons nécessaire, la remplacerons sans frais. Pour obtenir un service au titre de la garantie, veuillez téléphoner à notre service après-vente au 1-800-472-7606 ou écrire à :

Cuisinart Canada
156, chemin Parkshore
Brampton, Ont. L6T 5M1

Afin d'accélérer le renvoi, nous vous prions de joindre un chèque ou mandat-poste de 10,00 \$ pour les frais d'administration. Assurez-vous d'inclure une adresse de renvoi, une description du défaut, le numéro de série du produit et tout autre renseignement pertinent au renvoi du produit.

REMARQUE : Pour plus de protection et assurer une meilleure

manutention de tout produit Cuisinart® que vous retournez, nous vous recommandons de vous adresser à un service de livraison

assuré et identifiable. La maison Cuisinart ne peut être tenue

responsable des dommages encourus lors du transport ou des

produits perdus et/ou endommagés.

Votre Sorbetière Cuisinart® a été fabriquée selon des normes

strictes de qualité et a été conçue pour n'être utilisée qu'avec des

accessoires et des pièces de rechange autorisées par Cuisinart®.

Cette garantie fait expressément exclusion de tout vice ou

dommage causé par des accessoires, pièces de rechange ou

réparations effectuées par d'autres que ceux autorisés par

Cuisinart. Cette garantie fait exclusion de tout dommage fortuit ou

indirect.

AVANT DE RETOURNER VOTRE PRODUIT CUISINART®

***Important :** Si le produit défectueux doit être réparé ailleurs que dans un Centre de service autorisé par Cuisinart, veuillez rappeler au préalable de téléphoner à notre Centre de service client afin de s'assurer que le problème a été bien diagnostiqué, que le produit est réparé en utilisant les pièces approuvées et que le produit est encore couvert par la garantie.

Le bol, le couvercle, le poussoir, la lame à hacher et le disque éminceur-déshiqueur peuvent aller sur le panier supérieur du lave-vaisselle. Quand vous placez les pièces dans le lave-vaisselle, placez le bol à l'envers. Rappelez-vous où vous placez la lame et le disque et sortez-les soigneusement du lave-vaisselle.

Le collet du bôtier d'engrenages ne doit pas être plongé dans l'eau. Pour le nettoyer, essuyez-le avec un chiffon humide.

Si vous lavez la lame ou le disque à la main, soyez prudent. Évitez de les laisser dans l'eau savonneuse où ils ne sont pas visibles.

Pour nettoyer la lame de métal, remplissez le bol avec une eau savonneuse, tenez la lame par le centre en plastique et agitez-la rapidement de haut en bas sur l'arbre au centre du bol. Utilisez une

douchette est aussi pratique. Au besoin, utilisez une brosse.

Ne placez jamais le bol dans un four micro-ondes.

GARANTIE LIMITÉE DE TROIS ANS

Cette garantie annule et remplace toute garantie antérieure sur la Sorbetière de qualité commerciale Supreme™ Cuisinart®.

Cette garantie n'est offerte qu'aux consommateurs. Par consommation, on entend tout propriétaire d'une Sorbetière de qualité

commerciale Supreme™ Cuisinart® achetée aux fins d'un usage

personnel, familial ou ménager. Cette garantie n'est pas offerte aux

détailants ni aux acheteurs ou propriétaires de commerces.

Nous garantissons la Sorbetière de qualité commerciale Supreme™ Cuisinart® contre les vices de matière et de fabrication en usage

date d'achat original.

Aux fins de cette garantie, nous vous suggérons d'inscrire votre

produit en ligne à www.cuisinart.ca en vue d'en faciliter la vérification de la date d'achat originale. Toutefois, si vous préférez ne pas

vous inscrire en ligne, nous vous recommandons de retenir votre

reçu de caisse original indiquant la date d'achat. Advenant que vous n'ayez pas de preuve de date d'achat, la date d'achat sera alors la

date de manufacture, aux fins de cette garantie. Lorsque vous téléphonez à un de nos centres de service autorisés, assurez-vous de fournir le numéro de modèle de votre appareil de

information sur le bôtier ou sous la base de votre appareil. Le numéro de modèle est inscrit ainsi : Modèle : CBT-500FPC. Le

(huit côtés). Poussez son côté arrondi aussi profond que possible sur l'arbre du moteur.

3. Placez le disque réversible avec le bord tranchant voulu vers le haut, sur la tige d'adaptateur. Tenez toujours le disque par le rebord; n'en touchez jamais les lames tranchantes.

4. Placez le couvercle sur le bol et verrouillez-le en le tournant dans le sens horaire. Introduisez les aliments dans l'entonnoir.

5. Insérez le poussoir. Utilisez une pression moyenne pour pousser d'une main alors que de l'autre, vous appuyez sur la touche de mise en marche, la touche d'impulsion puis tenez la touche de robot enfoncée. Le tranchage ou le râpage se fait en quelques secondes. Attendez que le disque s'arrête avant d'enlever le couvercle. Une fois le disque arrêté, enlevez le couvercle avant d'enlever le bol. Ne tentez jamais d'enlever le couvercle et le bol ensemble; vous pourriez endommager le bol.

6. Enlevez le disque réversible avant d'enlever le bol. Pour ce faire, saisissez la partie plate de la tige d'adaptateur et soulevez-la bien droite. Tenez le collet du bol, tournez le bol dans le sens antihoraire et soulevez-le bien droit pour le séparer du bloc-moteur.

MELANGEUR-ROBOT CULINAIRE

Hacher des noix

Hachez par pulsations 125 ml (1/2 tasse) de noix (sans leurs écalles), 4 à 5 fois. Éteignez le mélangeur, raclez le récipient avec une spatule. Remettez le mélangeur en marche et hachez par pulsations, 2 à 3 fois. Éteignez le mélangeur, Appuyez sur « PULSE » encore au moins de fois pour un hachage plus grossier. Pour de meilleurs résultats, transformez 250 ml (1 tasse) à la fois.

Miettes de pain, biscuits ou craquelins

Pour de meilleurs résultats, utilisez un pain vieux d'un jour (un pain sec convient mieux). Broyez les tranches de pain en morceaux de 1,25 cm (1/2 po) et ne transformez qu'une tasse à la fois, mélangeant 5 à 10 secondes. Les craquelins et les biscuits devraient être brisés en morceaux de 1,25 cm (1/2 po); transformez-les une 250 ml (1 tasse) à la fois, pendant 10 à 15 secondes. Éteignez le mélangeur.

Broyage de la glace (Récipient du mélangeur seulement)
Mettez jusqu'à 10 cubes (125 ml) de glace dans le mélangeur. Couvrez. Appuyez sur le bouton « Ice Crush » par petits coups, 10 fois, ou jusqu'à ce que les cubes aient la consistance de la neige.

Arrêtez le mélangeur. Pour obtenir de la glace concassée en plus gros morceaux, n'appuyez sur le contrôle de broyage de glace que deux ou trois fois seulement.

Zeste d'agrumes frais

Pour de meilleurs résultats, le récipient et le bloc de coupe doivent être propres et secs. Enlevez le zeste des fruits en lamelles à l'aide d'un péle-légumes et servez-vous d'un couteau à lame très tranchante pour enlever la partie blanche amère. Ne râpez que 8 lamelles à la fois (zeste d'un citron de grosseur moyenne). Coupez les lamelles en deux. Mettez les lamelles et 5 ml (1 c. à thé) de sucre ou de gros sel (selon la recette) dans le récipient. Couvrez. Réglez à basse vitesse « Low » et malaxez pendant 15 à 20 secondes. Arrêtez le mélangeur.

Pour mouder le fromage dur

Coupez le fromage en cubes de 1,25 cm (1/2 po). Mélangez sur « HIGH » pendant 30 secondes. Éteignez le mélangeur. Pour de meilleurs résultats, ne râpez que 81 g (3 oz) de fromage à la fois. Pour de meilleurs résultats, le récipient du mélangeur et la lame doivent être propres et secs. Ajoutez 50 à 75 ml (1/4 à 1/2 tasse) d'épices, de graines ou de grains de poivre dans le récipient. Mélangez à vitesse élevée pendant 30 à 35 secondes. Éteignez le mélangeur.

Crème à fouetter

Fouettez 250 ml (1 tasse) de crème (crème à fouetter ou crème épaisse) à la fois. Mélangez à vitesse élevée pendant 45 à 60 secondes ou jusqu'à consistance lisse et crémeuse. Pour une crème sucrée, ajoutez le sucre après 10 secondes. Éteignez le mélangeur. Donne environ 250 ml (1 tasse).

Purée de tomates séchées au soleil

Réhydratez 28 g (1 oz) de tomates dans 250 ml (1 tasse) d'eau bouillante. Laissez reposer 10 minutes ou jusqu'à ce qu'elles soient tendres. Versez les tomates et l'eau dans le récipient du mélangeur. Couvrez et hachez par pulsations, 5 fois à vitesse élevée, puis transformez en continu à vitesse élevée 15 à 20 secondes. Éteignez le mélangeur. Egouttez dans une passoire fine si désiré. Donne environ 125 ml (1/2 tasse) de tomates en purée.

NETTOYAGE ET RANGEMENT DES ACCESSOIRES DU MELANGEUR-ROBOT CULINAIRE SMARTPOWER PREMIER DUEL™

Rangez la lame à hacher et le disque éminceur-déchiquteur comme des couteaux tranchants – hors de la portée des enfants.

GUIDE DE RÉFÉRENCE RAPIDE POUR PRÉPARER LES ALIMENTS AU HACHAGE ET AU RÂPAGE.

Aliments
Longs aliments étroits comme carottes, céleri, concombre et zucchini
Coupez en longueurs égales environ 2,5 cm (1 po) plus court que la hauteur de l'entonoir. Disposez les morceaux debout dans l'entonoir; côté plat vers le bas, platant suffisamment de morceaux pour qu'ils ne tombent pas.

Coupez un bout plat et coupez en demies ou quartiers sur la longueur. Bourrez solidement dans l'entonoir pour qu'ils ne tombent pas.
Remplissez l'entonoir jusqu'à 2,5 cm (1 po) du haut. Utilisez une pression légère à moyenne.

Pommes, oignons, pommes de terre, poivrons, tomates et autres gros fruits et légumes ronds.
Coupez le dessus et le bas, ne retenant que le centre. Placez dans l'entonoir, sur le côté plat.

Fraises, champignons, radis et autres petits fruits et légumes ronds.
Coupez la tête et la queue, ne retenant que le centre. Coupez en coins assez gros pour tenir dans l'entonoir. Enlevez le cœur. Coupez la tête et la queue de la même façon.

Chou, laitue iceberg
Utilisez des coupes déssosées. Coupez à la longueur de l'entonoir. Desquamez si désiré. Enveloppez dans une pellicle plastique et mettez au congélateur jusqu'à ce que dur à presser mais toujours facile à percer avec un couteau pointu. Enlevez la pellicule et placez debout dans l'entonoir.
Remarque : Le poulet et le boeuf à friture devraient être tranchés le long du grain. Les poitrines de poulet déssosées et desquamées conviennent quand elles sont congelées comme indiqué et coupées en demies sur la longueur.

Viande et volaille non cuite [maximum de 250 g (8 oz) à la fois].
Placez au congélateur 5 minutes avant de transformer. Coupez en morceaux convenant à l'entonoir. Placez les morceaux debout et **exercez une légère pression sur le poussoir.** Transformez 112 g (4 oz) à la fois.

Fromages mous comme le Mozzarella
Ne tranchez pas.
Coupez en morceaux convenant à l'entonoir. Placez debout dans l'entonoir et exercez une légère pression sur le poussoir.

Fromages mi-mous comme le Cheddar et le Suisse
Fromages durs comme le Parmesan
Ne le râpez pas.

GUIDE DE RÉFÉRENCE RAPIDE POUR PRÉPARER LES ALIMENTS POUR LE HACHAGE AVEC LE ROBOT DE CUISINE

LES ALIMENTS

Fruits et légumes

Pelez et dénoyalez au besoin. Enlevez les gros noyaux et les graines. Coupez en dés de 2 cm (3/4 po) et transformez, 250 ml (1 tasse) à la fois.

Vande, volaille et poisson

Ils devraient être très froids mais pas congelés. Coupez d'abord en dés de 2 cm (3/4 po). Placez environ 225 g (1/2 lb) dans le bol. Pour hacher ou mettre en purée une plus grande quantité, procédez par lots d'au plus 225 g (1/2 livre).

Transformez par pulsations ou en continu jusqu'à la consistance voulue. Vérifiez la texture toutes les 2 ou 3 secondes pour éviter de trop transformer.

Pain, craquelins et biscuits

Brisez en morceaux de 2,5 cm (1 po) et transformez en continu pour émietter jusqu'à texture fine. Pour des miettes assaisonnées, hachez avec des herbes. Pour des miettes beurrées, laissez couler du beurre fondu par l'entonnoir pendant la transformation – 5 ml (1 c. à thé) de beurre fondu par tranche de pain.

Croustes de miettes

Hachez les craquelins ou les biscuits tel qu'indiqué au paragraphe précédent. Ajoutez sucre, épices et beurre et coupez pulsations.

Fromage dur « râpé »

S'il est trop dur à couper au couteau, n'essayez pas de la hacher – la lame pourrait s'endommager. Coupez d'abord en dés de 2 cm (3/4 po). Procédez par pulsations jusqu'à la taille de petits pois puis transformez en continu. On peut hacher aussi grossier ou fin que l'on veut. Laissez simplement le robot fonctionner plus longtemps pour un hachage fin. Transformez environ 85 g (3 oz) à la fois.

Crème à fouetter

Elle est excellente comme garniture de desserts ou de boissons chaudes. La crème doit être à température du réfrigérateur. On peut fouetter (environ 250 ml - 1 tasse) à la fois.

Persil et autres fines herbes

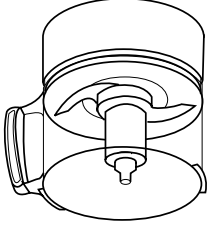
Le bol et la lame doivent être propres et secs. Enlevez les queues, ne gardez que les feuilles. Séchez les herbes complètement. Plus on hache d'herbes à la fois, plus elles seront finement hachées. Les herbes hachées se conservent plusieurs jours dans le réfrigérateur, dans des sacs hermétiques ou peuvent être congelées pendant des mois.

RETRAIT DES ALIMENTS TRANSFORMÉS

Avant d'enlever les aliments transformés, appuyez sur la touche « OFF » et attendez que la lame cesse de tourner. Enlevez le couvercle en le tournant dans le sens antihoraire. N'essayez jamais d'enlever le couvercle et le bol ensemble; vous risqueriez d'endommager le bol.

1. Avant de pencher le bol, utilisez une spatule pour enlever les aliments autour de la lame puis retirez délicatement la lame par son moyeu en plastique. Il est très important de **NE PAS** laisser tomber la lame de métal du bol à mélanger au moment du traversassement. Voici deux façon de procéder pour l'empêcher de tomber.

2. Tenez le haut de la lame du bout du doigt ou avec la spatule alors que vous versez les aliments.



Votre pouvez alors séparer le bol du bloc-moteur ou tenir le collet à sa base et tourner la poignée du bol dans le sens antihoraire et soulever la lame bien droite.

Le mélangeur-robot de cuisine SmartPower Premier Duet™ fait de la préparation quotidienne des aliments, un véritable plaisir. Suivez ces lignes directrices pour obtenir les meilleurs résultats quand vous utilisez la lame de métal.

REMARQUE : Il se peut qu'un morceau d'aliment se loge entre la lame et le fond du bol. Dans ce cas, enlevez le couvercle, soulevez la lame soigneusement et retirez le morceau coincé. Videz le bol, remettez la lame et verrouillez le couvercle. Traitez une plus petite quantité d'aliments à la fois.

HACHER ET RÂPER

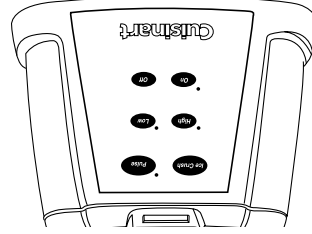
1. Assemblez le bol transparent sur le collet et le bloc-moteur de façon normale (Voir les étapes 1 et 2 à la page 9.)

2. Prenez la tige d'adaptateur en la tenant par son côté octagonal

AJOUT D'ALIMENTS EN COURS DE TRANSFORMATION
Il est très important de **NE PAS** laisser tomber la lame de métal du bol à mélanger au moment du transvasement. Voici deux façons de procéder pour l'empêcher de tomber.

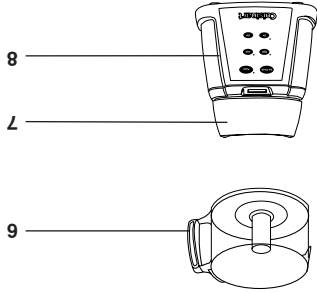
- Le type de transformation – continu ou par intermittence.
 - La quantité d'aliments à transformer – n'en mettez pas trop dans le bol.
 - La taille des morceaux dans le bol – ils devraient tous être de même taille autant que possible.
- Certaines conditions peuvent avoir un effet sur les résultats :
- Les nouveaux utilisateurs sont souvent surpris par la rapidité de la transformation. Vous vous habituerez vite à cette rapidité. Pour une purée, procédez comme pour le hachage mais laissez le robot fonctionner jusqu'à l'obtention d'une purée lisse. Pour un hachage plus fin ou une purée, appuyez sur la touche « ON » puis appuyez sur la touche « HIGH » et laissez fonctionner les aliments qui colent à la paroi du bol. Les oignons et autres aliments à forte teneur en eau tournent vite en une purée lisse. Ne hachez pas trop – surveillez souvent à travers le bol. Les nouveaux utilisateurs sont souvent surpris par la rapidité de la transformation. Vous vous habituerez vite à cette rapidité. Pour une purée, procédez comme pour le hachage mais laissez le robot fonctionner jusqu'à l'obtention d'une purée lisse. Pour un hachage plus fin ou une purée, appuyez sur la touche « ON » puis appuyez sur la touche « HIGH » et laissez fonctionner les aliments qui colent à la paroi du bol. Les oignons et autres aliments à forte teneur en eau tournent vite en une purée lisse. Ne hachez pas trop – surveillez souvent à travers le bol.
3. Pour un hachage plus fin ou une purée, appuyez sur la touche « ON » puis appuyez sur la touche « HIGH » et laissez fonctionner les aliments qui colent à la paroi du bol. Les oignons et autres aliments à forte teneur en eau tournent vite en une purée lisse. Ne hachez pas trop – surveillez souvent à travers le bol.
2. Placez le couvercle et verrouillez-le. Insérez le poussoir. On recommande de placer une main sur le couvercle du robot pour le rendre plus stable pendant l'usage. Appuyez sur la touche « ON » et la touche « PULSE » puis appuyez sur la touche « HIGH » (pour action intermittente) et relâchez. Procédez ainsi deux ou trois fois. Chaque fois que la lame s'arrête, laissez les aliments retourner au fond du bol puis poursuivez. Ceci assurera que la lame hache les aliments à tout coup. Voyez ce qui se passe avec les aliments. En hachant par intermittence, vous pouvez obtenir un hachage uniforme sans risque de trop transformer. Vérifiez la consistance à travers le bol transparent. Faites attention de ne pas trop transformer. Pour un hachage grossier, appuyez sur la touche « HIGH » une ou deux fois.

HACHAGE, MISE EN PURÉE ET MALAXAGE



- robot de cuisine. Vous pouvez aussi utiliser la touche « PULSE » pour hacher par intermittence.
- Pour utiliser le robot de cuisine, assurez-vous que le bol est bien assemblé et que la lame ou le disque et le couvercle sont bien en place. Sur le panneau de commande, l'indicateur DEL de la touche sur laquelle vous appuierez s'allumera.
- Appuyez sur la touche de mise en marche (ON). Pour une utilisation en continu, appuyez sur la touche « HIGH ». Le moteur se mettra en marche si vous avez suivi les directives d'assemblage. « OFF ».
- Pour utiliser par action intermittente, c'est-à-dire, pour malaxer par pulsation, appuyez sur la touche « PULSE » puis sur la touche « HIGH » et relâchez-la autant de fois que désiré. Le moteur fonctionne tant que vous tenez la touche « HIGH » enfoncée et s'arrête dès que vous la relâchez. Faites en l'essai à quelques reprises. Vous contrôlez la durée et la fréquence des pulsations avec la touche « Food Processor ». Laissez assez de temps entre les pulsations pour que les aliments retournent au fond du bol.
- Utilisez toujours la touche « HIGH » pour les pulsations et le hachage. Ne tournez pas le couvercle dans un sens puis l'autre pour faire marcher et arrêter le robot.
1. Enlevez le couvercle et placez les aliments dans le bol. Commencez par couper les aliments en dés de 2 cm (3/4 po). Le hachage sera plus uniforme si vous commencez avec des morceaux de la même taille. Placez les morceaux dans le bol, la lame de métal en place. Vous pouvez placer une tasse d'aliments
9. Voyez les directives d'assemblage du robot de cuisine à la page 9.

UTILISATION DU ROBOT DE CUISINE



6. Bol transparent

7. Collet d'entraînement

8. Socle-moteur

Pour le récipient du mélangeur et le bol du robot culinaire

Notez que le bol et le collet peuvent se poser sur le bloc-moteur dans huit positions différentes. La poignée peut se trouver à l'avant ou sur l'un des côtés et l'entonnoir à l'avant, à l'arrière ou de l'un des côtés. La référence à une position quelconque dans les directives n'est faite qu'à titre indicatif.

ASSEMBLAGE DU ROBOT POUR HACHER, METTRE EN PURÉE ET MÉLANGER

1. Tenez le collet d'une main et la poignée du bol de l'autre. Tournez le bol sur le collet, dans le sens horaire.

2. Placez l'ensemble collet-bol sur le bloc-moteur, la poignée vers l'avant. Placez la lame à hacher sur l'arbre dans le bol. La lame devrait glisser facilement sur l'arbre jusqu'au fond du bol. Le pied de la lame touchera presque le fond du bol.

MANIPULEZ LA LAME DE MÉTAL AVEC TRÈS GRAND SOIN CAR ELLE EST TRANCHANTE COMME UN RASOIR.

4. Placez les aliments dans le bol. Mettez le couvercle sur le bol, l'entonnoir à 11 heures environ. Tournez le couvercle dans le sens horaire jusqu'à sa position finale. Le verrou du couvercle doit cliquer en place pour utiliser le robot. Si vous avez de la difficulté à placer le couvercle sur le bol, tournez le moyeu de la lame légèrement et remettez le couvercle.

5. Le poussoir se place dans l'entonnoir, le côté le plus rond vers l'extérieur du bol. **UTILISEZ TOUJOURS LE POUSSOIR POUR INSÉRER LES ALIMENTS DANS L'ENTONNOIR. N'UTILISEZ JAMAIS VOS DOIGTS OU UNE SPATULE.**

6. Branchez votre Mélangeur-robot SmartPower Premier Duet™ de

600 watts dans une prise de courant murale. Appuyez sur la touche de mise en marche puis sur la touche « HIGH » pour le hachage ou la mise en purée. On recommande de placer une main sur le couvercle du bol pendant l'usage pour garder l'appareil plus stable. Si l'appareil ne se met en marche, assurez-vous qu'il est bien branché et que le bol et le couvercle sont verrouillés en place. Le robot ne se mettra pas en marche tant que le collet, le bol et le couvercle ne sont pas verrouillés. Tout de même, débranchez toujours l'appareil avant de mettre les mains dans le bol.

Remarque : Le bloc-moteur se mettra en marche mais la lame ne tournera pas tant que l'appareil ne sera pas bien assemblé. Le disque éminceur-déchiqueteur réversible peut trancher et râper une variété de fruits et de légumes, des viandes et des fromages. Voyez le guide de référence rapide à la page 12 pour préparer les aliments pour le tranchage au râpage.

ASSEMBLAGE DU ROBOT POUR TRANCHER ET RÂPER

1. Tenez le collet d'une main et le bol de l'autre. Tournez le bol sur le collet, dans le sens horaire.

2. Placez le collet et le bol sur le bloc-moteur, la poignée vers l'avant. Placez la tige d'adaptateur sur l'arbre central. **Pour trancher :** fixez le disque à la tige, le rebord soulevé sur le dessus.

Pour râper : fixez le disque à la tige, les fentes de râpe vers le haut. Placez le disque sur l'arbre, la lame voulue vers le haut. Manipulez la lame de métal avec soin car elle est tranchante.

4. Placez le couvercle sur le bol, l'entonnoir à 11 heures environ. Tournez le couvercle dans le sens horaire pour le verrouiller en place. Placez des aliments dans l'entonnoir.

5. Tenez le poussoir, le côté le plus rond vers l'extérieur du bol et insérez-le par-dessus les aliments, dans l'entonnoir. Utilisez toujours le poussoir pour insérer les aliments dans l'entonnoir. N'utilisez jamais vos doigts ou une spatule.

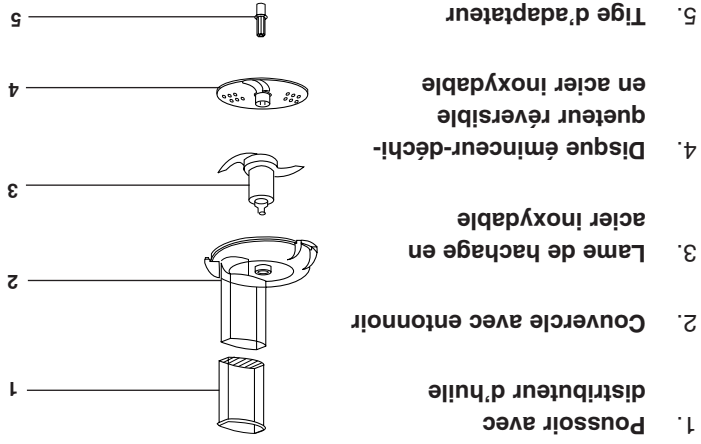
6. Branchez le SmartPower Premier Duet™ dans une prise de courant. Pour enlever le couvercle, déverrouillez-le en le tournant dans le sens antihoraire puis soulevez-le.

COMMANDES DU ROBOT DE CUISINE

Votre appareil SmartPower Premier Duet™ Cuisinart® utilise la haute vitesse avec le robot. Cette touche donne la vitesse parfaite pour transformer les aliments. Utilisez toujours cette vitesse avec le

CARACTÉRISTIQUES DU ROBOT CULINAIRE

- Ne tournez jamais le col de blocage quand vous enlevez le récipient du socle-moteur. Vous n'avez simplement qu'à le soulever.
- Ne mélangez pas plus qu'il faut. Le mélangeur est conçu pour donner de meilleurs résultats en quelques secondes, pas en minutes.
- Ne surchargez pas le mélangeur. Si le moteur décroche, arrêtez le mélangeur immédiatement, débranchez-le et enlevez des aliments puis continuez.
- N'utilisez aucun ustensile à l'intérieur du récipient pendant que le mélangeur fonctionne.
- N'utilisez aucun récipient ou accessoires non recommandés par Cuisinart® car cela pourrait présenter un risque de blessure.
- Ne mettez jamais les mains à l'intérieur du récipient quand le mélangeur est branché.
- N'ajoutez pas de liquides bouillants ou d'aliments surgelés (à l'exception de cubes de glace de 1,25 cm (1/2 po) dans le récipient en verre. Laissez refroidir les liquides bouillants pendant 5 minutes avant de les verser dans le récipient.



- **Mettez toujours les ingrédients liquides dans le récipient d'abord, puis ajoutez le reste des ingrédients. Ceci assurera la consistance lisse du mélange.**

- Coupez les morceaux en dés d'environ 1,3 cm (1/2 po) à 2,5 cm (1 po) pour de meilleurs résultats. Coupez tous les fromages en morceaux pas plus gros que 1,3 cm (1/2 po).
- Utilisez le godet-mesure pour mesurer les ingrédients liquides tel que jus ou alcool. Remplacez le godet-mesure une fois les liquides mesurés.
- Utilisez une spatule de caoutchouc ou de plastique au besoin, mais seulement une fois le mélangeur débranché. N'utilisez jamais d'ustensiles de métal; vous pourriez endommager le récipient ou le bloc de coupe.

- Placez le couvercle solidement. Le couvercle doit toujours être sur le récipient quand le mélangeur fonctionne.
- Assurez-vous que le col de blocage est fixé solidement au récipient. Enlevez toujours le col de blocage, le bloc de coupe et le joint d'étanchéité avant de nettoyer le mélangeur.

- Lorsque vous raciez les aliments des parois du récipient, laissez-les tomber au centre du récipient sur le bloc de coupe.
- Lorsque vous coupez fines herbes, ail, oignons, zestes, mie de pain, noix, épices, etc. assurez-vous que le récipient et le bloc de coupe sont complètement secs.
- Si les aliments ont tendance à coller aux parois du récipient durant le mélange, procédez par fonctionnements intermittents.
- Les pulsations doivent être de courte durée. Espacez-les pour permettre aux lames de s'arrêter entre chacune d'elles.

À NE PAS FAIRE :

- N'entrez pas le couvercle dans le récipient du mélangeur.
- Ne placez pas le bloc de coupe ni le col de verrouillage sur le socle-moteur sans le récipient.
- N'utilisez pas votre mélangeur pour mettre les pommes de terre en purée, pour pétrir de la pâte épaisse et pour fouetter les blancs d'œufs. Ils peuvent être préparés dans le robot culinaire.
- Ils peuvent être préparés dans le robot culinaire.
- N'enlevez pas le récipient lorsque le mélangeur est sous tension. Gardez le couvercle sur le récipient durant l'utilisation.

Remarque : La minuterie démarre automatiquement quand vous appuyez sur le bouton « PULSE » ou que vous le tenez abaissé. La minuterie s'arrête dès que vous relâchez le bouton « PULSE ».

8. POUR BROYER LA GLACE : Le moteur du Mélangeur

SmartPower Premier Due™ de 600 watts est assez puissant pour broyer la glace sans ajout de liquide, à n'importe quelle vitesse. Pour votre commodité, nous avons prééglie la vitesse idéale pour broyer la glace. Aussi, pour assurer un meilleur contrôle, le broyage de la glace se fait par fonctionnellement intermittent. Pour broyer la glace, mettez les cubes dans le récipient. Le voyant rouge « ON » s'allumera. Appuyez sur le bouton « ICE CRUSH » par petites pulsations jusqu'à ce que la glace ait la texture voulue. Voir la section « Suggestions pratiques » à la page 13 pour plus de détails.

Remarque : La minuterie démarre chaque fois que vous appuyez sur le bouton « ICE CRUSH » ou que vous le tenez abaissé. La minuterie s'arrête dès que vous relâchez le bouton « ICE CRUSH ».

9. POUR DÉLOGER LES ALIMENTS : Utilisez une spatule de caoutchouc ou de plastique pour déloger les aliments coincés autour du bloc de coupe. N'UTILISEZ PAS LA SPATULE AVANT D'AVOIR DÉBRANCHÉ LE MÉLANGEUR. Replacé

vous que la spatule ne soit pas restée à l'intérieur du récipient. Le couvercle et le godet-mesure avant de poursuivre. Assurez-vous que la spatule ne soit pas restée à l'intérieur du récipient.

10. UNE FOIS LE MALAXAGE TERMINÉ : Appuyez sur le bouton « OFF » et débranchez le mélangeur de la prise de courant. N'enlevez jamais le récipient du socle-moteur avant d'avoir débranché le mélangeur. Ne tournez jamais le col de verrouillage quand vous enlevez le récipient du socle-moteur. Il suffit simplement de le soulever. Ne placez jamais les mains dans le récipient quand le mélangeur est branché.

NETTOYAGE ET ENTRETIEN

Débranchez toujours le mélangeur/robot culinaire SmartPower Premier Due™ de 600 watts de la prise de courant avant de le nettoyer. Le mélangeur comporte des pièces à l'épreuve de la corrosion faciles à nettoyer. Avant de l'utiliser pour la première fois et après chaque utilisation, nettoyez toutes les pièces à grande eau. Vérifiez fréquemment les pièces avant de les remettre et si aucune d'elle est endommagée ou si le récipient est écaillé ou fendillé. N'UTILISEZ PAS LE MÉLANGEUR.

CE QU'IL FAUT FAIRE ET NE PAS FAIRE QUAND VOUS UTILISEZ VOTRE MÉLANGEUR

À FAIRE :

- Assurez-vous que la prise de courant soit de même voltage que celui indiqué sous la base du socle-moteur du mélangeur.
- Utilisez toujours le mélangeur sur une surface propre, stable et sèche.

ATTENTION : Manipulez le bloc de coupe avec une prudence extrême. Il est très COUPANT et peut causer de sérieuses blessures. N'essayez pas d'enlever les lames du bloc de coupe. Enlevez le couvercle du récipient et le godet-mesure. Lavez à l'eau chaude savonneuse, rincez et séchez complètement ou placez-les dans le panier supérieur du lave-vaisselle. Le récipient doit être lavé à l'eau chaude savonneuse, rincé et séché complètement ou vous pouvez le placer sans dessus-dessous dans le lave-vaisselle.

TRUC : Vous préférez peut-être nettoyer le bloc de coupe de votre mélangeur ainsi : Placez le bloc de coupe dans le récipient, mettez-y un tout petit peu de détergent à vaisselle liquide et rempissez-le à demi d'eau chaude. Faites-le fonctionner à « STIR » pendant quelques secondes. Répétez avec de l'eau claire pour le rincer. Videz le récipient et désassemblez les pièces. Lavez le bloc de coupe, le joint d'étanchéité et le col de blocage dans de l'eau chaude savonneuse. Rincez et séchez complètement.

Enlevez le récipient du socle-moteur en le soulevant bien droit. Tournez le col de verrouillage dans le sens antihoraire. Il est très important de NE PAS laisser tomber la lame de métal du bol à mélanger au moment du transport. Voici deux façons de procéder pour l'empêcher de tomber. Retirez le bloc de coupe et le joint d'étanchéité en caoutchouc. Lavez à l'eau chaude savonneuse, rincez et séchez complètement. Placez le col de blocage dans le panier supérieur du lave-vaisselle ou lavez-le à la main à l'eau chaude.

Le voyant « On » et celui indiquant la vitesse s'allumeront. Le mélangeur fonctionnera ensuite à la vitesse désirée. Vous pouvez changer de vitesse sans avoir à appuyer sur le bouton « OFF », en appuyant simplement sur le bouton de l'autre vitesse.

AVERTISSEMENT : LE TÉMOIN CLIGNOTANT INDIQUE QUE L'APPAREIL EST PRÊT À FONCTIONNER. NE TOUCHEZ PAS LA LAME.

Remarque : La minuterie démarre dès que vous appuyez sur le bouton de vitesse choisie et elle continue de mesurer le temps même si vous changez de vitesse.

6. POUR ARRÊTER OU METTRE LE PROCESSUS DE MÉLANGE EN ATTENTE :

a. Pour le mettre en attente :

Appuyez sur le bouton correspondant à la vitesse à laquelle vous travaillez présentement. Par exemple, si vous utilisez la vitesse « HIGH », appuyez sur le bouton « HIGH » et le mélangeur cessera de mélanger mais sera quand même sous tension.

Remarque : En mettant le processus de mélange en attente, vous vous trouvez à mettre la minuterie en attente également. La minuterie restera ainsi tant que ne commencez pas à mélanger de nouveau.

b. Pour arrêter le processus de mélange :

Appuyez sur le bouton « OFF » quand vous avez terminé et voulez mettre l'appareil hors tension.

Remarque : Quand vous appuyez sur le bouton « OFF », la minuterie cesse de compter et l'affichage DEL se remet à 0:00. Quand vous recommencez le mélangeur et que vous appuyez sur un bouton de vitesse, le minuteur repart à 0:00.

7. MODE « PULSE » : Le mode « PULSE » apporte un surplus instantané de puissance pour un mélange rapide et efficace. Pour utiliser ce mode, appuyez sur le bouton « ON » et le voyant DEL rouge s'allumera. Appuyez sur le bouton « PULSE » et le voyant DEL clignotera. Appuyez sur le bouton de la vitesse voulue puis relâchez. Répétez au besoin. Vous déterminerez le temps de chaque pulsation. Le voyant DEL clignote pendant que le mélangeur est réglé à ce mode. Le fonctionnement intermittent vous permet de briser des plus gros morceaux d'aliments ou de contrôler la texture des ingrédients que vous hachez. Le fonctionnement intermittent est également efficace au début du processus de mélange quand vous ne voulez pas mélanger en continu ou quand les ingrédients n'ont pas besoin d'être trop malaxés.

Appuyez sur le bouton « HIGH » ou « LOW » selon le choix.

Remarque : Ajoutez les liquides d'abord, puis les ingrédients solides. Ceci assure un mélange plus consistant et empêche de forcer le moteur inutilement.

Remarque : Pour enlever le couvercle du récipient, soulevez-le par les rebords. Vous ne réussirez pas à enlever le couvercle en tirant sur le godet-mesure.

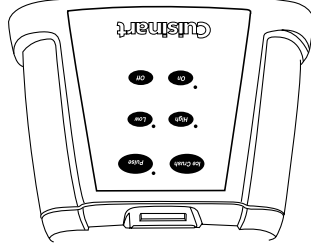
3. POUR MINUTER LE TEMPS DE VOS RECETTES :

Le Mélangeur SmartPower PremierMD Duet de Cuisinart® est muni de la Minuterie 5-minute Countdown, pour vous permettre de minuter vos recettes et d'obtenir des résultats parfaits à chaque fois. La minuterie commence à compter de zéro dès que vous appuyez sur les boutons de vitesse « LOW », « HIGH » ou « PULSE » ou « ICE CRUSH ». La minuterie continuera même si vous changez de vitesse durant le mélange. Vous pouvez mettre la minuterie en attente, en mettant le processus de mélange en attente. Pour ce faire, poussez sur le bouton de la vitesse à laquelle vous mélangez. Par exemple, si vous utilisez la vitesse « LOW », appuyez sur le bouton « LOW » et le mélangeur arrêtera de mélanger et la minuterie cessera de tenir le temps, mais l'appareil sera quand même sous tension. Pour continuer de mélanger et de minuter votre recette, appuyez sur le bouton de vitesse. La minuterie cesse automatiquement dès qu'elle atteint 5 minutes et elle ne se remet à zéro que lorsque vous appuyez sur le bouton « OFF ».

Appuyez sur le bouton « ON ». Le voyant rouge DEL s'allumera indiquant que le mélangeur est sous tension mais qu'aucune vitesse n'a été choisie.

4. POUR MÉLANGER :

Appuyez sur le bouton « ON ». Le voyant rouge DEL s'allumera indiquant que le mélangeur est sous tension mais qu'aucune vitesse n'a été choisie.



5. POUR CHOISIR LA VITESSE DE MÉLANGE :

Appuyez sur le bouton « HIGH » ou « LOW » selon le choix.

- Placez le récipient sur le socle-moteur de façon que les graduations soient vers vous et que la poignée soit de côté.
- Branchez le cordon d'alimentation. Vous pouvez maintenant vous servir de votre mélangeur.

AIDE-MÉMOIRE PRATIQUE

- Pour ajouter des ingrédients une fois le couvercle en place, il suffit de soulever le godet-mesure, d'ajouter les ingrédients puis de remettre le godet-mesure.

- Le couvercle doit toujours être sur le récipient lorsque l'appareil est en marche.
- Attention : Ne mettez pas le récipient sur le socle-moteur quand le moteur fonctionne.

- Ne tournez pas le col de blocage pour enlever le récipient de la base. Il suffit tout simplement de soulever le récipient.
- Vous ne devez jamais mettre de liquides bouillants ni d'aliments surgelés (à l'exception des cubes de glace ou des morceaux de 1,25 cm de fruits congelés) dans le récipient.

- Ne mettez pas d'aliments surgelés ou de liquides glacés dans un récipient qui sort tout juste d'un lave-vaisselle chaud.
- Ne mettez pas de liquides ou d'aliments très chauds dans un récipient qui sort tout juste du congélateur. Les liquides bouillants doivent être refroidis pendant au moins 5 minutes avant d'être placés dans le récipient.
- Suivez les instructions « Nettoyage et entretien » à la page 7, avant d'utiliser votre mélangeur pour la première fois.

FONCTION DE L'APPAREIL

- Placez le socle-moteur de votre mélangeur SmartPower[®] sur une surface plate et stable. Il est très important que la surface soit propre et sèche. Assemblez le mélangeur selon les directives d'assemblage. Une fois le récipient assemblé et placé sur le socle-moteur, branchez l'appareil dans une prise de courant murale.
- Placez tous les ingrédients nécessaires dans le récipient et remettez le couvercle. Vous pouvez ajouter d'autres ingrédients en les insérant par le godet-mesure du couvercle. Réplacez le godet-mesure après chaque ajout. **Ne mettez jamais les mains dans le récipient lorsque le mélangeur est branché.**

TABLEAU DE RÉFÉRENCE RAPIDE

Pour mettre le mélangeur en marche, appuyez sur « ON ».	Pour malaxer par intermittence
Appuyez sur le bouton de vitesse voulue.	Pour changer de vitesse
Appuyez sur le bouton de vitesse voulue.	Pour commencer à mélanger
Appuyez sur le bouton de vitesse voulue.	Pour arrêter de mélanger
« PULSE » puis appuyez et relâchez le bouton de vitesse voulu au besoin.	Pour arrêter de mélanger (mode « PULSE » ou « ICE CRUSH »)
En mode « ON », appuyez et relâchez le bouton « ICE CRUSH » au besoin.	Pour arrêter de mélanger (mode « PULSE » ou « ICE CRUSH »)
Appuyez sur le bouton « OFF ».	Pour arrêter de mélanger (mode « PULSE » ou « ICE CRUSH »)
Appuyez sur les boutons « HIGH » ou « LOW ».	Relâchez le bouton.

GUIDE DU CHOIX DE VITESSES

Consultez ce guide pour choisir la vitesse qui vous donnera les meilleurs résultats.

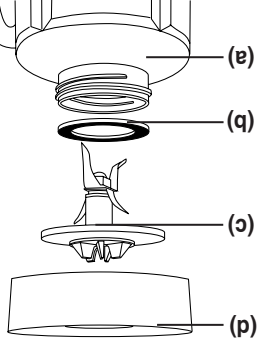
Ingredient / Recette	Vitesse	Résultat
Reconstituer les jus de fruits concentrés	« LOW »	Texture lisse et goût prononcé
Mayonnaise	« LOW »	Épaisse et crémeuse
Sauce à salade	« LOW » ou « HIGH »	Complètement mélangée et émulsionnée
Noix (écailées, 125 ml (1/2 tasse) ou moins à la fois) par pulvérisation	« LOW » Hachez	Mouture grossière à fine
Crème épaisse ou à fouetter	« LOW » - « PULSE »	Garniture épaisse crémeuse
Pain, biscuits ou craquelins (ajoutez les morceaux de 1,3 cm (1/2 po), puis mélangez	« LOW » - « PULSE »	Grossier à fin
Râpage, hachage du zeste des agrumes (ajoutez 2,5 à 5 ml de sucre ou sel, selon la recette)	« LOW » - « PULSE »	Uniformément fin
Barbotines, laits fouettés, boissons sante	« HIGH »	Lisses, crémeux et épais
Aliments de bébé / fruits & purée de légumes	« HIGH »	Lisses et crémeux
Cocktails glacés	« HIGH »	Épais en neige mouillée
Fromages durs	« LOW » - « PULSE »	Grossier à fin puis mélangé
Épices	« LOW » ou « HIGH »	Grossier à fin
Glace	« ICE CRUSH »	Concassée ou à l'aspect de neige

- c. Bouton pour broyer la glace**
Appuyez simplement sur le bouton pré réglé à la vitesse qui convient. Vient pour concasser la glace.
- 8. Boutons « ON/OFF/PULSE »**
Tournez à « ON » pour mettre en marche puis choisissez la vitesse pour malaxage en continu. Tournez à « PULSE » puis choisissez la vitesse pour malaxage par intermittence.
- 9. Socle-moteur robuste**
Robuste et stable, il ne se « promène » pas sur le comptoir lorsque vous broyez de la glace. Pour le récipient du mélangeur et le bol du robot culinaire.
- 10. Pattes antidérapantes**
L'empêchent de bouger durant le fonctionnement et d'endommager le dessus du comptoir ou de la table.
- 11. Rangement du cordon (non illustré)**
Pour que le fil n'encroûte pas le comptoir et ne présente aucun risque d'accident.

SOIN ET UTILISATION

ASSEMBLAGE

- (d) Pour utiliser votre mélangeur Smart Power Premier Duet^{MD} 600 Watts Cuisinart®, assemblez d'abord le récipient. Tournez le récipient (a) vers le bas et placez-le à plat sur une surface stable.
- (b) Placez le joint d'étanchéité en caoutchouc (b) sur l'ouverture circulaire à la base du récipient.
- (c) Tournez le bloc de coupe vers le bas (c) et insérez la lame dans l'ouverture du récipient.



- Attention : Les lames sont très acérées... procédez avec prudence.**
4. Une fois le joint d'étanchéité et le bloc de coupe en place, fixez-les en plaçant le col de blocage (d) sur le bloc de coupe. Vissez en tournant dans le sens horaire jusqu'à ce qu'il soit bien serré. Assurez-vous que le col de blocage soit fixé hermétiquement sur le récipient. Une fois l'assemblage terminé, tournez le récipient vers le haut.
5. Placez le couvercle le récipient. Poussez le godet-mesure dans le couvercle.

1. Couvercle à fermeture

Couvercle à fermeture d'étanchéité ajusté empêche les fuites.

2. Godet-mesure pour verser

Vous permet de mesurer et d'ajouter des ingrédients sans avoir à enlever le couvercle.

3. Récipient en verre de 1,6 L

Doté d'un large et solide bec verseur unique.

4. Joint d'étanchéité en caoutchouc (non illustré)

Tient le récipient fermement en place pour un fonctionnement sans danger.

5. Bloc de coupe de haute qualité avec lames d'acier inoxydable brevétées

Asses robustes pour toutes les tâches du mélangeur, qu'il s'agisse de broyer des cubes de glace ou d'émincer les fines herbes.

6. Col de blocage

S'aligne automatiquement de façon que le récipient de verre glisse facilement en place.

7. Minuterie

Minuterie qui indique les durées de mélange assurant ainsi des résultats parfaits.

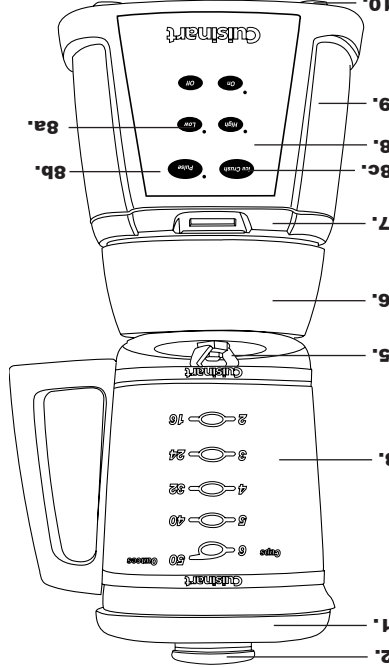
8. Commande à boutons-poussoirs

a. Boutons « High » et « Low »

Choisissez les vitesses « High » ou « Low » selon les besoins de la recette.

b. Bouton de commande intermittente

Pour le fonctionnement intermittent à basse ou haute vitesse,



Attention : Les lames sont très acérées... procédez avec prudence.

DIRECTIVES POUR LE DÉBALLAGE

Cet appareil est doté d'une fiche munie d'un fil de mise à la terre; le fil de rallonge doit être à 3 conducteurs dont un pour la mise à la terre. Si la fiche n'entre pas dans la prise, communiquez avec un électricien qualifié. Ne contournez pas cette mesure de sécurité.

MISE EN GARDE : Une mauvaise mise à la masse peut entraîner le risque de chocs électriques.

REMARQUE

RÉSERVÉ À L'USAGE MÉNAGER

1. Placez la boîte du SmartPower Premier Duet^{MD} Cuisinat[®] sur une surface plate et solide avant de procéder au déballage.
 2. Retirez le manuel d'utilisation et les autres documents qui se trouvent sur le dessus de l'encart de carton ondulé.
 3. Enlevez ensuite le carton ondulé du dessus. Il contient la tige d'adaptation et le disque éminceur-déchiqueur. Enlevez le disque éminceur-déchiqueur avec soin car il est très coupant, puis retirez le couvercle et la tige d'adaptation.
 4. Enlevez le carton ondulé du dessus contenant le récipient en le mélangeur. Faites attention de ne pas incliner le récipient en le sortant.
 5. Enlevez le carton ondulé du milieu qui contient le godet-mesure.
 6. Sortez soigneusement le socle du mélangeur et mettez-le de côté.
 7. Enlevez le robot culinaire et tout autre document qui se trouve dans la boîte.
- Pour assembler le mélangeur, suivez les directives fournies à la page 4 du manuel. Remettez tous les cartons dans la boîte et conservez la boîte pour le remballage. Voyez Caractéristiques et avantages, à la page 4, pour une liste des pièces du mélangeur.
- Avant d'utiliser l'appareil la première fois :** Lavez toutes les pièces conformément aux directives sous « Nettoyage et entretien » à la page 7 afin d'enlever la poussière et les résidus.

TABLE DES MATIÈRES

Consignes de sécurité importantes	2
Directives pour le déballage	3
Introduction	3
Caractéristiques et avantages du mélangeur	4
Introduction au mélangeur	4
Assemblage	4
Rappels utiles	5
Utilisation	5
Guide de référence rapide	5
Nettoyage et entretien	6
À faire et à éviter	7
Caractéristiques et avantages du robot culinaire	8
Introduction au robot culinaire	8
Assemblage	8
Commandes	9
Hachage, mise en purée et malaxage	9
Tranchage et râpage	10
Guide de référence rapide	11, 12
Conseils pour les recettes	11
Nettoyage et rangement	13
Renseignements sur la garantie	13
Recettes	14

INTRODUCTION

Vous serez épâté par ce que ce combiné mélangeur/robot culinaire peut accomplir. Le SmartPower Premier Duet est notre plus puissant mélangeur et un robot culinaire Cuisinat de 3 tasses de pleine fonction, tout en un. Il mélange des smoothies, malaxe la pâte, broie la glace, fait des purées, hache des noix, tranche des pommes de terre ou râpe le fromage... tout cela par simple pression des touches de commande. Soyez prêt à vous amuser et à donner libre cours à votre créativité dans la cuisine, avec Cuisinat[®].

PRÉCAUTIONS IMPORTANTES

L'utilisation d'un électroménager demande toujours la prise de précautions élémentaires dont les suivantes :

1. LISEZ TOUTES LES DIRECTIVES AVANT L'USAGE.

2. Pour éviter tout risque de choc électrique, ne placez pas le moteur du SmartPower Premier Duet^{MD} dans l'eau ou un liquide quelconque.

3. L'utilisation par ou près d'un enfant demande une surveillance étroite. Cuisinart ne recommande pas que cet appareil soit utilisé par un enfant.

4. Débranchez-le toujours quand vous ne l'utilisez pas, avant

d'ajouter ou d'enlever des pièces, avant de le nettoyer et avant les mains dans le bol ou le récipient du mélangeur-robot

de cuisine et ne maniez jamais les lames dans l'appareil quand il est branché.

5. Évitez le contact avec les pièces mobiles.

6. N'utilisez pas l'appareil si le cordon ou la fiche est endommagé, s'il ne fonctionne pas correctement ou s'il a été échappé ou endommagé. Présentez l'appareil au service à la clientèle Cuisinart le plus près où il sera examiné, réparé ou ajusté au point de vue mécanique ou électrique.

7. L'utilisation d'accessoires autres que ceux recommandés par Cuisinart, y compris des récipients ordinaires ou de conserve non recommandés ni vendus par Cuisinart, peut poser un risque d'incendie, de choc électrique ou de blessure.

8. N'utilisez pas l'appareil à l'extérieur.

9. Ne laissez pas le cordon pendre le long d'un comptoir ou d'une table, ni toucher une surface chaude.

10. **Gardez les mains et les ustensiles hors du récipient ou du bol pendant l'utilisation afin de réduire le risque de blessures graves ou de dommages à l'appareil.** Vous pouvez utiliser une spatule en plastique ou en caoutchouc mais seulement quand l'appareil est ÉTEINT.

11. Quand le moteur est en marche et que les voyants clignotent, ne touchez pas les lames, ne les empêchez pas de tourner et n'enlevez pas le couvercle du mélangeur.

CONSERVEZ CES DIRECTIVES

21. **ATTENTION** : LE VOYANT CLIGNOTE QUAND L'APPAREIL EST PRÊT À SERVIR. NE TOUCHEZ PAS AUX LAMES.

20. **AVERTISSEMENT** : AFIN DE RÉDUIRE LE RISQUE DE CHOC ÉLECTRIQUE OU D'INCENDIE, N'ENLEVEZ PAS LE PAN-NEAU DE LA BASE. AUCUNE PIÈCE RÉPARABLE PAR L'UTILISATEUR À L'INTÉRIEUR. LA RÉPARATION DEVAIT ÊTRE CONFIEE À UNE PERSONNE AUTORISÉE.

19. Lavez le récipient, le bol, la lame à hacher, la bague de verrouillage et les couvercles avant le premier usage.

18. N'utilisez pas de rallonge avec ce produit. Cela représente un risque d'incendie, de choc électrique ou de blessure.

En ce qui concerne le cordon : L'appareil est fourni avec un cordon plus long pour permettre de placer le mélangeur-robot de cuisine SmartPower Premier Duet^{MD} Cuisinart® près d'une prise de courant. Faites attention de ne pas mêler le cordon ni de vous y em pêcher. Disposez le cordon long de façon à ce qu'il ne pendre pas du comptoir ou de la table où il pourrait être tiré ou accroché par un enfant. L'excédent devrait être placé dans le rangement au dos de la base pour éviter les risques de blessures.

17. Tournez fermement la bague de verrouillage. Vous risquez de vous blesser si les lames devenaient exposées accidentellement.

16. Quand vous mélangez des liquides CHAUDS dans le récipient, enlevez le godet-mesure (partie centrale du couvercle) pour laisser échapper la vapeur.

15. Ne laissez jamais le mélangeur ou le robot de cuisine sans surveillance quand il est en marche.

14. Ayez toujours le couvercle en place quand vous utilisez le mélangeur ou le robot de cuisine.

13. Afin de réduire le risque de blessure, ne placez jamais la lame à hacher ou à couper sur la base sans d'abord bien poser le bol ou le récipient.

12. **LES LAMES SONT TRANCHANTES. MANIPULEZ-LES AVEC SOIN.**

Appuyer par inadvertance sur une touche de vitesse pourrait actionner l'appareil.

Afin que ce produit vous procure des années de satisfaction en toute sécurité, veuillez lire le manuel de directives avec soin avant l'utilisation.

CBT-500FPC

MÉLANGEUR/ROBOT 600 WATTS SMARTPOWER PREMIER DUET^{MD}



MANUEL
D'UTILISATION

Cuisinart[®]

Free Manuals Download Website

<http://myh66.com>

<http://usermanuals.us>

<http://www.somanuals.com>

<http://www.4manuals.cc>

<http://www.manual-lib.com>

<http://www.404manual.com>

<http://www.luxmanual.com>

<http://aubethermostatmanual.com>

Golf course search by state

<http://golfingnear.com>

Email search by domain

<http://emailbydomain.com>

Auto manuals search

<http://auto.somanuals.com>

TV manuals search

<http://tv.somanuals.com>