

Cuisinart®

INSTRUCTION BOOKLET

Recipe
Booklet
Reverse Side



Cuisinart® *Smooth Operator*® Blender

SMO-56

For your safety and continued enjoyment of this product, always read the instruction book carefully before using.
Download from [Www.Somanuals.com](http://www.Somanuals.com). All Manuals Search And Download.

E IB-5999A

IMPORTANT SAFEGUARDS

When using an electrical appliance, basic safety precautions should always be followed, including the following:

1. **READ ALL INSTRUCTIONS BEFORE USING.**
2. To protect against the risk of electrical shock, do not put motor base of blender in water or other liquid.
3. Close supervision is necessary when any appliance is used by or near children.
4. Unplug from outlet when not in use, before putting on or taking off parts, and before cleaning or removing contents from blender jar.
Never put hands into the blender jar, or insert fingers into dispenser tap hole, or handle the blades with appliance plugged in.
5. Avoid contact with moving parts.
6. Do not operate any appliance with a damaged cord or plug or after the appliance malfunctions, or is dropped or damaged in any manner. Return appliance to nearest Cuisinart service facility for examination, repair, and/or mechanical or electrical adjustment.
7. The use of attachments, including canning or ordinary jars, not recommended or sold by Cuisinart may cause fire, electrical shock, or risk of injury to persons.
8. Do not use outdoors.
9. Do not let cord hang over edge of counter or table or touch hot surfaces.
10. **Keep hands and utensils out of jar while blending, to reduce the risk of severe injury to persons or damage to blender itself.**
A rubber or plastic spatula may be used but must be used only when the blender is turned OFF.
11. When blender is in ON mode, and LED lights are flashing or glowing, do not touch cutting assembly, interfere with blade movement, or remove blender jar cover. Accidentally touching a speed button may activate the blender.
12. **BLADES ARE SHARP. HANDLE CAREFULLY.**
13. To reduce the risk of injury, never place cutting assembly on base unless the blender jar is properly attached.
14. Always operate blender with the cover in place.
15. Never leave your blender unattended while running.

16. When blending HOT liquids, remove measured pour lid (center piece of cover) to allow steam to escape.
17. Twist on locking ring firmly. Injury can result if moving blades accidentally become exposed.
18. Do not use an extension cord with this unit. Doing so may result in fire, electrical shock, or personal injury.

Regarding your cord set: A longer cord has been provided so that you will have flexibility in positioning your Cuisinart® Smooth Operator® Blender near an electrical outlet. Exercise care when using the longer cord, to avoid entangling or tripping over the cord. The longer cord should be arranged so that it will not drape over the counter or tabletop, where it can be pulled on by children or tripped over. Excess cord should be stored in the cord storage area at the back of the blender base to avoid injury caused by the longer cord.

19. Wash the blender jar, locking ring with cutting assembly, dispenser tap, dispenser plug and cover before first use.
20. **WARNING: TO REDUCE THE RISK OF ELECTRICAL SHOCK OR FIRE, DO NOT REMOVE THE BASE PANEL. NO USER SERVICE-ABLE PARTS ARE INSIDE. REPAIR SHOULD BE DONE ONLY BY AUTHORIZED PERSONNEL.**
21. Always operate the blender with the dispenser tap or dispenser plug in place.
22. Never place blade assembly on base unless assembled to jar.

SAVE THESE INSTRUCTIONS FOR HOUSEHOLD USE ONLY

NOTICE

This appliance has a polarized plug (one prong is wider than the other). To reduce the risk of electric shock, this plug will fit into a polarized outlet only one way. If the plug does not fit fully into the outlet, reverse the plug. If it still does not fit, contact a qualified electrician. Do not modify the plug in any way.

UNPACKING INSTRUCTIONS

1. Place the gift box containing your Cuisinart® Smooth Operator® Blender on a flat, sturdy surface before unpacking.
2. Remove instruction book and other printed materials from top of corrugated insert.
3. Remove corrugated insert containing dispenser tap, dispenser plug, blending stick and measured pour lid.
4. Lift blender base from box.
5. Carefully lift out corrugated insert containing the glass blender jar assembly.

To assemble the blender, follow the Assembly Instructions in this booklet. Replace all corrugated inserts in the box and save the box for repackaging. Before using for the first time: Wash all parts according to the Cleaning and Maintenance section in this booklet to remove any dust or residue.

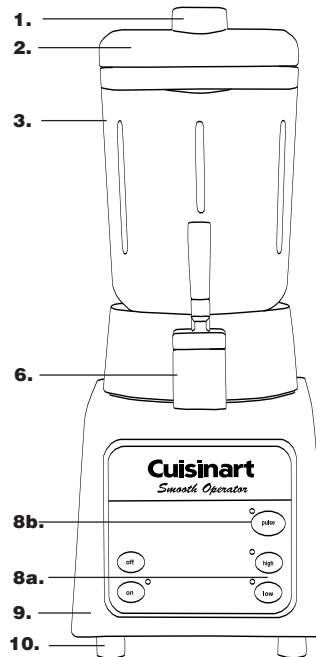
CONTENTS

Important Safeguards	2
Unpacking Instructions	3
Introduction	3
Features and Benefits	3
Use and Care	4
Assembly	4
Helpful Reminders	4
Operation	4
Easy Reference Guides	5
Cleaning and Maintenance	6
Dos and Don'ts	7
Warranty Information	9

INTRODUCTION

You don't even have to lift the blender jar off of the Cuisinart® Smooth Operator® to pour! A great party blender, it holds 56 ounces and has a self-serve dispenser tap right on the front. Your guests can help themselves to frozen drinks or smoothies, so you can enjoy the party, too! When blending chunky dips, batter for crêpes, or hearty protein shakes, simply replace the dispenser tap with the plug and pour from the jar. You'll find the 5-button control panel simple to use, and the styling so dynamic you'll want to leave your Smooth Operator® out on the counter for all to see!

FEATURES AND BENEFITS



Note: Blades are sharp... handle carefully.

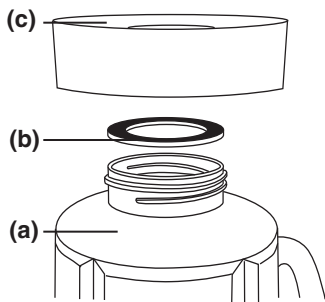
- 1. 2-oz. Measured Pour Lid:** Allows you to measure and add ingredients without removing the cover.
- 2. Cover:** Easy press-on cover with tightfitting seal resists leakage.
- 3. 56-oz. Glass Jar with Handle:** Large capacity is great for any size crowd.
- 4. Blending Stick (not shown):** Helps move ingredients when preparing a thick mixture.
- 5. High-quality Cutting Assembly with Patented Stainless Steel Blades (not shown):** Strong enough for all blending tasks, including ice crushing.
- 6. Removable Dispenser Tap:** Allows you to dispense drinks with ease.
- 7. Dispenser Tap Plug (not shown):** When dispensing is not desired, you can remove the dispenser tap and replace it with the plug. This allows you to use your blender for standard blender tasks.
- 8. Push-button Controls:**
 - a. High and Low Buttons:** Choose High or Low speed to blend the ingredients to the desired consistency. Red LED lights will indicate which speed you are using.
 - b. Pulse Button:** Allows you to pulse at High to Low speeds, so you can blend ingredients only as much as needed.
- 9. Heavy-duty Motor Base:** It is so sturdy and stable, it will not "walk" on your counter.
- 10. Slip-proof Feet:** Prevent movement during use and damaging marks on counter tops or tables.
- 11. Cord Storage (not shown):** Keeps countertops safe and neat, conveniently storing excess cord.

USE AND CARE

ASSEMBLY

To use your Cuisinart® Smooth Operator® Blender, begin by assembling the blender jar.

1. Turn the blender jar (a) upside down, and place it flat on a sturdy surface.
2. Position the rubber gasket (b) on the round opening on the bottom of the blender jar.



3. Turn the locking ring with cutting assembly (c) upside down, and place the blade end in the blender jar opening. Engage threads by twisting the locking ring clockwise until tightened. Make sure locking ring is tightly fastened to blender jar. Once assembled, turn the blender jar right-side up.

Note: Blades are sharp... handle carefully.

4. Push the cover onto the top of the blender jar. Twist the measured pour lid into the cover, or place the blending stick into the cover.
5. Place the blender jar on the motor base so that the handle is positioned to the back of the blender.
6. Screw the dispenser tap or dispenser plug onto the front of the locking ring.
7. Plug in power cord. Your blender is now ready to be used.

HELPFUL REMINDERS

- Once the cover is in position, additional ingredients can be added during blending by simply lifting the measured pour lid, adding ingredients, and replacing the measured pour lid.
- Cover should always be in place while the unit is on.
- **Warning: Do not place blender jar onto base while motor is running.**

- Do not twist locking ring from blender jar when removing blender jar from base. Simply lift blender jar from motor base.
- Boiling liquid or solid frozen foods (with the exception of ice cubes or ½ inch [1.3 cm] pieces of frozen fruit) should never be placed in the blender jar.
- Do not place ice, frozen foods or very cold liquids into a blender jar which has come directly from a hot dishwasher.
- Do not place very hot liquids or foods into a blender jar which has come directly from the freezer. Boiling liquids should cool for 5 minutes before being placed in blender jar.
- Follow Cleaning and Maintenance instructions in this booklet prior to your first use.

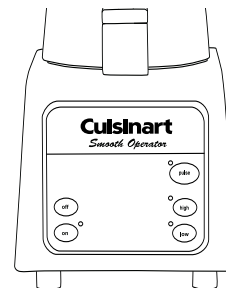
OPERATION

1. Place the motor base of your Cuisinart® Smooth Operator® Blender on a flat, sturdy surface. It is important that the surface be clean and dry. Assemble the blender by following the assembly instructions. Once the jar is assembled and is in position on the motor base, plug the Cuisinart® Smooth Operator® Blender into an electrical outlet.
2. Add all necessary ingredients to the blender jar, and replace the cover. You may use the blending stick or measured pour lid when blending. The blending stick helps to keep frozen ingredients moving without having to remove the lid. You may add more ingredients by lifting the measured pour lid or blending stick and dropping ingredients through the fill area. Replace the measured pour lid or blending stick after adding ingredients.
Do not place hands into blender jar with blender plugged in.

Note: Add liquid ingredients first, then follow with solid ingredients. This will provide more consistent blending and prevent unnecessary stress on the motor.

Note: To remove blender jar cover, lift edge of cover upwards. Lifting measured pour lid will not remove cover.

3. **START BLENDING:** Press the ON button. The red LED indicator light will illuminate, indicating that the blender is turned on but no speed has been selected.
4. **CHOOSE BLENDING SPEED:** Press HIGH or LOW button to determine the speed at



which you would like to blend the ingredients. Both the On indicator light and the activated speed indicator light will glow. The blender will now be functioning at the desired speed. It is possible to switch speeds without pressing the OFF button, by simply pushing the other speed button.

5. TO PAUSE OR STOP BLENDING PROCESS

a. **To Pause Blending Process:** Push the button corresponding to the speed at which you are currently blending. For example: If you are blending on HIGH speed, push the HIGH speed button and the blender will stop blending, but the unit will remain on.

b. **To Stop Blending Process:** Push the OFF button when you are finished with your recipe and would like to turn the blender off.

6. **PULSE MODE:** The pulse mode allows you to create a burst of power for quick, efficient blending. To use the pulse function, push the ON button and the red LED indicator light will illuminate. Push the PULSE button, and the pulse LED indicator light will blink. Push and release the desired speed button. Repeat as desired. You determine the duration of each pulse. While pulsing, the LED indicator light will glow. The pulse function can be used to break apart larger pieces of food or to control the texture of food when chopping. The pulse function is also effective in starting the blending process when you do not want continuous power, or when processing items that do not require an extended amount of blending.

7. **To dislodge food:** Use a rubber or plastic spatula to help remove food lodged around the cutting assembly. **Do not use spatula until you have turned the blender off.** Replace the cover and measured pour lid and continue blending, if necessary. Make sure spatula is not inside the blender jar before blending.

8. **Using dispenser tap:** Place cup or pitcher under the dispenser spout. Turn blender on and then press LOW – pull down the dispenser tap and stir contents with blending stick as ingredients are dispensing. If there is difficulty with dispensing, try dispensing on HIGH.

Note: It is highly recommended NOT to dispense hot ingredients through the dispenser tap.

9. **WHEN FINISHED BLENDING:** Press the OFF button and unplug the blender from the electrical outlet. Never remove the blender jar from the motor base until the blender is off. Do not twist locking ring from blender jar when removing jar from motor base. Simply lift blender jar from motor base. **Do not place hands into blender jar with blender plugged in.**

QUICK REFERENCE GUIDE

To activate blender	Press ON – The blender is in ON mode.
To begin blending	Press desired speed button.
To change speeds	Press desired speed button.
To pulse	In ON mode press PULSE, then press and release desired speed button as needed.
To stop blending (and deactivate blender)	Press OFF button.
To stop blending (in high or low speeds)	Press HIGH or LOW button.
To stop blending (in PULSE mode)	Release button.

SPEED SELECTION GUIDE

Refer to this guide to choose the best speed for your desired result.

Ingredient/Recipe	Speed	Result
Reconstituting frozen juice concentrate	Low	Smooth and full-bodied
Mayonnaise	Low	Thick and creamy
Salad dressings	Low or High	Completely blended and emulsified
Nuts (shelled, ½ cup or less at a time)	Low Pulse to chop	Coarse to fine
Heavy or whipping cream	Low – pulse	Thick creamy topping
Bread, cookies or crackers (add ½" pieces, 1 cup or less at a time)	Low – pulse, then blend	Coarse to fine as desired
Grating/chopping citrus zest (add 1 to 2 tsp. sugar or salt from recipe)	Low – pulse/blend	Uniformly fine
Smoothies, shakes, health drinks	High	Smooth, creamy and thick
Baby food/fruit and vegetable purée	High	Smooth and creamy
Frozen cocktails	High	Thick and slushy
Hard cheeses	Low-pulse, then blend	Coarse to fine
Spices	Low or high pulse, then blend	Coarse to fine
Ice	High, pulse or continuous	Coarse crush to snowy

CLEANING AND MAINTENANCE

Always unplug your Cuisinart® Smooth Operator® Blender from the electrical outlet before cleaning. The blender is made of corrosion-resistant parts which are easy to clean. Before first use and after every use, clean each part thoroughly. Periodically check all parts before reassembly. If any part is damaged or blender jar is chipped or cracked, DO NOT USE BLENDER.

Remove the blender jar from the motor base by lifting straight up and away. Twist off the locking ring with cutting assembly by turning counterclockwise.

Remove the rubber gasket. Wash in warm soapy water, rinse, and dry thoroughly.

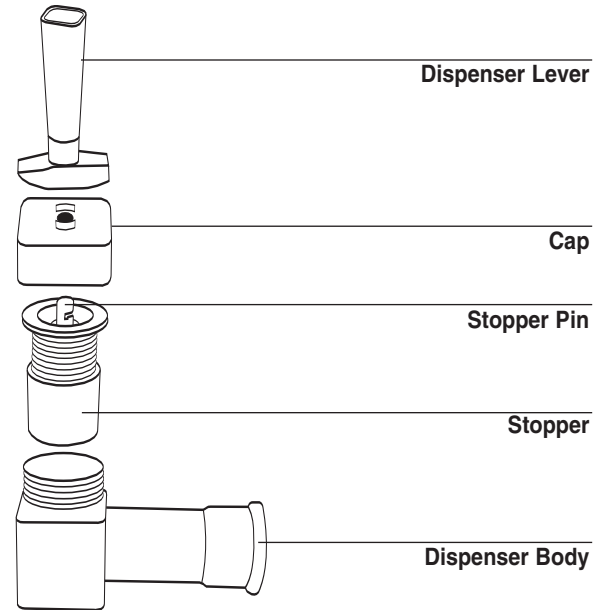
Place the locking ring in the upper rack of the dishwasher or wash in warm water. Disassemble dispenser tap from locking ring (see diagram and instructions at right).

CAUTION: Handle the locking ring with cutting assembly carefully. It is SHARP and may cause injury. Do not attempt to remove blades from locking ring.

Remove the blender jar cover and the measured pour lid or blending stick. Wash in warm, soapy water; rinse and dry thoroughly, or place in upper rack of dishwasher. The blender jar must be washed in warm, soapy water and rinsed and dried thoroughly. The blender jar can also be placed upside down in the dishwasher, and the dispenser tap and the plug can be washed in the top rack of the dishwasher.

Finally, wipe the motor base clean with a damp cloth to remove any residue, and dry thoroughly. Never submerge the motor base in water or other liquid, or place in a dishwasher.

Tip: You may wish to clean your blender cutting assembly as follows: Squirt a small amount of dishwashing liquid into assembled blender jar and fill halfway with warm water. Run on LOW for 15 seconds. Repeat, using clean tap water. Empty blender jar and carefully disassemble parts. Wash locking ring with cutting assembly and gasket in warm, soapy water. Rinse and dry all parts thoroughly.



CLEANING DISPENSER TAP

To disassemble dispenser tap for cleaning:

1. Remove the dispenser tap from the locking ring by unscrewing the entire dispenser tap counterclockwise.
2. Remove the cap from the dispenser body by unscrewing it counterclockwise.
3. Squeeze cap and stopper together and slide the lever off the stopper pin.
4. Remove the cap from stopper and stopper pin. The stopper, pin and spring are tightly fitted. Do not separate.
5. Clean all parts in warm soapy water, dry thoroughly and reassemble in the order shown.

DOS AND DON'TS WHEN USING YOUR BLENDER

DO:

- Make sure the electrical outlet is rated at the same voltage as that stated on the bottom of the blender motor base.
- Always use the blender on a clean, sturdy and dry surface.
- **Always add liquid ingredients to the blender jar first, then add remaining ingredients. This will ensure that ingredients are uniformly mixed.**
- Cut most foods into cubes approximately $\frac{1}{2}$ inch (1.3 cm) to 1 inch (2.5 cm) to achieve a more uniform result. Cut all cheeses into pieces no larger than $\frac{1}{2}$ inch (1.3 cm).
- Use the measured pour lid to measure liquid ingredients such as alcohol. Replace measured pour lid or blending stick after ingredients have been added.
- Use a rubber or plastic spatula as needed, only when the blender is turned off. Never use metal utensils, as damage may occur to the blender jar or cutting assembly.
- Place cover on firmly. Always operate the blender with the cover on.
- Make sure locking ring with cutting assembly is tightly attached to blender jar.
- Always remove locking ring with cutting assembly, rubber gasket, dispenser tap and dispenser plug before cleaning.
- When scraping the blender jar with a spatula, remove the food from the sides of the blender jar and place food in the center of the blender jar, over the cutting assembly.
- When chopping fresh herbs, garlic, onion, zest, bread crumbs, nuts, spices, etc, make sure the blender jar and cutting assembly are completely dry.
- If food tends to stick to the sides of the blender jar when blending, use blending stick and pulse in short bursts.
- Pulses should be short bursts. Space the pulses so the blades stop rotating between pulses.
- Always use blending stick with cover in place.

DON'T:

- Don't store food or liquids in your blender jar.
- Don't place locking ring with cutting assembly onto motor base without the blender jar attached.
- Do not attempt to mash potatoes, knead heavy dough, or beat egg whites.
- Don't remove blender jar while unit is on. Keep the blender jar cover on the blender jar while blending.
- Don't twist locking ring from blender jar when removing blender jar from motor base. Simply lift blender jar from motor base.
- Don't overblend foods. Blender will achieve most desired results in seconds, not minutes.
- Don't overload blender. If the motor stalls, turn the blender off immediately, unplug the unit, and remove a portion of the food, then continue.
- Don't use any utensil, other than the blending stick provided, inside the blender jar while the motor is on. **Note:** Blending stick is to be used only with cover in place.
- Don't use any container or accessories not recommended by Cuisinart. Doing so may result in injury.
- Don't place hands inside the blender jar or insert fingers into the dispenser hole when blender is plugged in.
- Don't add boiling liquids or frozen foods (except ice cubes or $\frac{1}{2}$ -inch pieces of frozen fruit) to glass blender jar. Boiling liquids should cool for 5 minutes before being placed in blender jar.

LIMITED THREE-YEAR WARRANTY

This warranty supersedes all previous warranties on Cuisinart® Smooth Operator® Blenders. This warranty is available to consumers only. You are a consumer if you own a Cuisinart® Smooth Operator® Blender that was purchased at retail for personal, family, or household use. Except as otherwise required under applicable state law, this warranty is not available to retailers or other commercial purchasers or owners. We warrant that your Cuisinart® Smooth Operator® Blender will be free of defects in material or workmanship under normal home use for three years from the date of original purchase. We suggest that you complete and return the enclosed product registration card promptly to facilitate verification of the date of original purchase. However, return of the product registration card does not eliminate the need for the consumer to maintain the original proof of purchase in order to obtain the warranty benefits. In the event that you do not have proof of purchase date, the purchase date for purposes of this warranty will be the date of manufacture.

If your blender should prove to be defective within the warranty period, we will repair it (or, if we think it necessary, replace it) without charge to you. To obtain warranty service, please call our Consumer Service Center toll-free at 1-800-726-0190 or write to:

Cuisinart
150 Milford Road
East Windsor, NJ 08520

To facilitate the speed and accuracy of your return, please enclose \$10.00 for shipping and handling of the product. Please also be sure to include a return address, daytime phone number, description of the product defect, product serial number (stamped on bottom of product base), and any other information pertinent to the product's return. Please pay by check or money

order. (California residents need only supply proof of purchase and should call 1-800-726-0190 for shipping instructions).

NOTE: For added protection and secure handling of any Cuisinart® product that is being returned, we recommend you use a traceable, insured delivery service. Cuisinart cannot be held responsible for in-transit damage or for packages that are not delivered to us. Lost and/or damaged products are not covered under warranty.

Your Cuisinart® Smooth Operator® Blender has been manufactured to strict specifications and has been designed for use with the Cuisinart® Smooth Operator® Blender accessories and replacement parts. These warranties expressly exclude any defects or damages caused by accessories, replacement parts, or repair service other than those that have been authorized by Cuisinart. These warranties do not cover any damage caused by accident, misuse, shipment, or other than ordinary household use. These warranties exclude all incidental or consequential damages. Some states do not allow the exclusion of or limitation of incidental or consequential damages, so the foregoing limitation may not apply to you.

CALIFORNIA RESIDENTS ONLY

California law provides that for In-Warranty Service, California residents have the option of returning a nonconforming product (A) to the store where it was purchased or (B) to another retail store which sells Cuisinart® products of the same type. The retail store shall then, according to its preferences, either repair the product, refer the consumer to an independent repair facility, replace the product, or refund the purchase price less the amount directly attributable to the consumer's prior usage of the product. If either of the above two options does not result in the appropriate relief to the consumer, the consumer may

then take the product to an independent repair facility if service or repair can be economically accomplished.* Cuisinart and not the consumer will be responsible for the reasonable cost of such service, repair, replacement, or refund for nonconforming products under warranty.

California residents may also, at their preference, return nonconforming products directly to Cuisinart for repair or, if necessary, replacement by calling our Consumer Service Center toll-free at 1-800-726-0190. Cuisinart will be responsible for the cost of the repair, replacement, and shipping and handling for such nonconforming products under warranty.

BEFORE RETURNING YOUR CUISINART PRODUCT

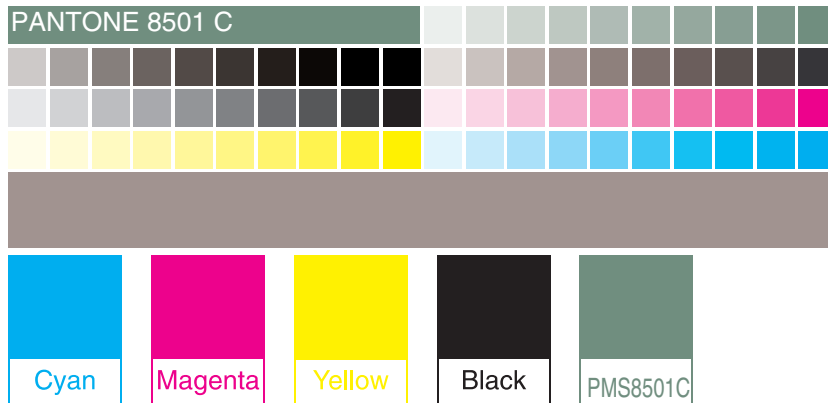
If you are experiencing problems with your Cuisinart® product, we suggest that you call our Consumer Service Center at 1-800-726-0190 before returning the product for servicing. Often, our Consumer Service Representatives can help solve the problem without having the product serviced. If servicing is needed, a Representative can confirm whether the product is under warranty and direct you to the nearest service location.

*Important: If the nonconforming product is to be serviced by someone other than Cuisinart's Authorized Service Center, please remind the servicer to call our Consumer Service Center at 1-800-726-0190 to ensure that the problem is properly diagnosed, the product is serviced with the correct parts, and to ensure that the product is still under warranty.

©2007 Cuisinart
Cuisinart® is a registered trademark of Cuisinart
150 Milford Road
East Windsor, NJ 08520
Printed in China
05CU26022

Any other trademarks or service marks used herein are the trademarks or service marks of their respective owners.

Version no: <u>SMO56 IB-5999A</u>	
Size : <u>216mm(W) X 178mm(H)</u>	
Material: <u>Cover:157gam Matt art paper, inside: 120gsm Gloss art paper</u>	
Coating: <u>Cover:Gloss varnishing</u>	
Color (Front): <u>4C+1C(CMYK+PMS8501C)</u>	
(Back): <u>1C+1C(Black)</u>	
Date: <u>23/04/07</u>	Co-ordinator : <u>Astor You</u>
XieFaXing Des cription : <u>IB-5999A</u>	OPERATOR: <u>Xu</u>
XieFaXing Code : <u>E-IB-5999A</u>	



Free Manuals Download Website

<http://myh66.com>

<http://usermanuals.us>

<http://www.somanuals.com>

<http://www.4manuals.cc>

<http://www.manual-lib.com>

<http://www.404manual.com>

<http://www.luxmanual.com>

<http://aubethermostatmanual.com>

Golf course search by state

<http://golfingnear.com>

Email search by domain

<http://emailbydomain.com>

Auto manuals search

<http://auto.somanuals.com>

TV manuals search

<http://tv.somanuals.com>