

Cuisinart®



Brew Central Thermal™ Coffeemaker

DCC-1400C Series

For your safety and continued enjoyment of this product, always read the instruction book carefully before using.
Download from www.Somanuals.com. All Manuals Search And Download.

IMPORTANT SAFEGUARDS

When using electrical appliances, basic safety precautions should always be followed to reduce the risk of fire, electric shock and/or injury to persons, including the following:

- 1. READ ALL INSTRUCTIONS**
2. Do not touch hot surfaces. Use handles and knobs.
3. To protect against electric shock, do not place cord, plug, or base unit in water or other liquids.
4. Close supervision is necessary when any appliance is used by or near children.
5. **Always unplug from outlet when not in use and before cleaning.** Allow to cool before putting on or taking off parts and before cleaning the appliance.
6. Do not operate any appliance with a damaged cord or plug or after the appliance malfunctions or has been dropped or damaged in any manner. Return appliance to the nearest Cuisinart Repair Centre for examination, repair, or electrical or mechanical adjustment.
7. The use of accessory attachments not recommended by Cuisinart may cause injuries.
8. Do not use outdoors.
9. Do not let cord hang over edge of table or counter, or touch hot surface.
10. Do not place on or near a hot gas or electric burner, or in a heated oven.
11. Always fill water reservoir first, then plug cord into the wall outlet. To disconnect, turn controls to "off", then remove plug from wall outlet.
12. Do not use appliance for other than intended use.
13. Fasten lid securely onto carafe before serving any beverages.
14. Scalding may occur if the lid is removed during the brewing cycle.
15. The thermal carafe is designed for use with these appliances only. It must never be used on the range top.
16. Do not set a hot carafe on a wet or cold surface.
17. Do not use a cracked carafe or a carafe having a loose or weakened handle.
18. Do not clean carafe or warming plate with cleansers, steel wool pads, or other abrasive materials.
19. **WARNING: TO REDUCE THE RISK OF FIRE OR ELECTRIC SHOCK, DO NOT REMOVE THE BASE PANEL. NO USER SERVICEABLE PARTS ARE INSIDE. REPAIR SHOULD BE DONE ONLY BY AUTHORIZED PERSONNEL.**
20. Avoid contact with moving parts.

SAVE THESE INSTRUCTIONS

FOR HOUSEHOLD USE ONLY

WARNING: RISK OF FIRE OR ELECTRIC SHOCK



The lightning flash with arrowhead symbol, within an equilateral triangle, is intended to alert the user to the presence of uninsulated "dangerous voltage" within the product's enclosure that may be of sufficient magnitude to constitute a risk of fire or electric shock to persons.



The exclamation point within an equilateral triangle is intended to alert the user to the presence of important operating and maintenance (servicing) instructions in the literature accompanying the appliance.

SPECIAL CORD SET INSTRUCTIONS

A short power-supply cord is provided to reduce the risks resulting from becoming entangled in or tripping over a longer cord.

Longer extension cords are available and may be used if care is exercised in their use.

If a long extension cord is used, the marked electrical rating of the extension cord must be at least as great as the electrical rating of the appliance, and the longer cord should be arranged so that it will not drape over the countertop or tabletop where it can be pulled on by children or tripped over.

NOTICE

This appliance has a polarized plug (one blade is wider than the other). To reduce the risk of electric shock, this plug will fit in a polarized outlet only one way. If the plug does not fit fully in the outlet, reverse the plug. If it still does not fit, contact a qualified electrician. Do not modify the plug in any way.

OPERATING NOTICE

Clogging and backing up of water and/or coffee in the filter basket can occur under any or a combination of any of the following conditions: The use of too finely ground coffee, using two or more paper filters, using the gold tone filter in conjunction with a paper filter or not properly cleaning coffee grounds from the gold tone filter, or allowing coffee grounds to spill over the filter.

Caution: Never open the top cover during the brewing cycle, even if no water is draining from the filter basket, since extremely hot water/coffee can spill out from the filter basket and cause injury. If water/coffee is not draining from the filter basket during the brewing cycle, unplug the unit and wait 10 minutes before opening the top cover and checking the filter basket.

IMPORTANT UNPACKING INSTRUCTIONS

1. Place the box on a large, sturdy, flat surface.
2. Remove the instruction book and any other literature.
3. Turn the box so that the back side of the coffeemaker is down and slide the coffeemaker from the box.
4. After the coffeemaker has been removed, place the box out of the way and lift off the top two polyfoam inserts.
5. Remove the cardboard insert between the carafe lid and Brew Pause™ mechanism by sliding it out of the unit.
6. Grasp the carafe by its handle, remove it from the resting plate, and remove the polybag.
7. Lift the coffeemaker off the remaining two inserts and remove the polybag covering the coffeemaker.

We suggest you save all packing materials in the event that future shipping of the machine is needed. Keep all plastic bags away from children.



TABLE OF CONTENTS

Important Safeguards	Page 1
Unpacking Instructions	Page 2
Introduction	Page 3
The Quest for the Perfect Cup of Coffee	Page 3
Features and Benefits	Page 4
Control Panel	Page 5
Programming Your Coffeemaker	Page 6
Setting the Time	Page 6
Programming the Auto On	Page 6
Making Coffee	Page 7
Inserting the Water Filter	Page 7
Cleaning and Maintenance	Page 8
Warranty	Page 9

INTRODUCTION

Cuisinart introduces a coffeemaker with retro styling and the latest high tech features, making it the centerpiece of any kitchen. The Cuisinart® Brew Central Thermal™ Coffeemaker is reminiscent of the days of classic styling and durable materials. A brushed stainless steel exterior with retro-style controls houses the finest coffeemaking technology. This coffeemaker even includes a charcoal water filter. The water filter ensures great tasting coffee by removing all of the impurities from the water. Coffee brews through and pours through a self-sealing lid into a double-wall insulated thermal carafe to keep it fresh and hot for hours. The Brew Central Thermal™ Coffeemaker also comes with advanced features such as a programmable digital clock with 24-hour advanced-brew setting, an automatic shutoff, a self-cleaning function, and an audible beep option that signals the end of the brew cycle, which makes brewing the best tasting coffee easy.

THE QUEST FOR THE PERFECT CUP OF COFFEE

It is generally agreed that there are four basic elements critical to the perfect cup:

Element 1: Water

Coffee is 98% water. Often overlooked, the quality of the water is as important as the quality of the coffee. A good rule of thumb is that if your water doesn't taste good from the tap, it won't taste any better in your coffee. That's why Cuisinart has added a water filter to the Brew Central Thermal™ Coffeemaker. The

charcoal water filter removes chlorine, calcium and bad tastes and odours, for the purest cup of coffee every time.

Element 2: Coffee

While the bulk of the liquid is water, all of the flavour should be from the coffee. To achieve the same great quality cup of coffee you receive at a coffee bar, you need to use the same quality beans. If you choose to grind your own beans, buy the beans fresh and whole, only about a two week supply at a time for maximum freshness. Once the coffee bean is broken, its flavour degrades very quickly. If it is not practical to buy small supplies, we recommend you separate larger amounts of beans into one to two week portions immediately after purchasing, and freeze them in airtight containers. The best way to maximize freshness is to minimize exposure to air, light and moisture. So, once removed from the freezer, beans should be maintained in a sealed container at room temperature, since damaging condensation occurs every time the beans are removed from the freezer or refrigerator. Note that some coffee experts advise against freezing dark-roast beans because this can cause the oils to coagulate, while other experts disagree. We suggest you experiment and decide for yourself.

Element 3: Grind

The grind is critical for proper flavour extraction. If the grind is too fine, overextraction and bitterness will result. Too fine a grind may also clog your filter. If grind is too coarse, the water will pass through too quickly and the desired flavours will not be extracted. We recommend a medium-fine grind.

Element 4: Proportion

The cups on the Cuisinart® coffeemaker are 5 ounces (148 ml). Add the amount of ground coffee that corresponds to the number of cups being brewed. Many coffee bars and the Specialty Coffee Association of America recommend adding 2 rounded tablespoons (30 ml) of coffee per 6 ounces (170 ml) of water. Some coffee manufacturers recommend using one tablespoon (15 ml) per cup. We recommend using 1 tablespoon (15 ml) of ground coffee per cup, but use more or less to suit your taste.

NOTE: The maximum capacity for ground coffee is 15 tablespoons for this 10-cup (1.5 L) coffeemaker. Exceeding this amount may cause overflow if the coffee is too finely ground.

FEATURES AND BENEFITS

- 1. Reservoir Cover**
Flips back for easy filling.
- 2. Water Reservoir**
- 3. Showerhead (not shown)**
Distributes water evenly over coffee, reducing temperature loss as water passes through grounds.
- 4. Water Filter (not shown)**
Charcoal water filter eliminates chlorine, calcium and bad tastes and odours from tap water.
- 5. Filter Basket (not shown)**
Holds a #4 paper filter or a permanent filter.
- 6. Filter Basket Holder**
- 7. LCD Digital Clock**
Displays time of day and set time for automatic functions.
- 8. Hour and Minute Buttons**
Used to set time of day and automatic functions.
- 9. Function Knob**
Used to initiate programming of automatic functions.
 - a. Ready Tone**
Signals the end of the brew cycle with five beeps. Choose "ON" for audible signal or "OFF" to turn signal off.
 - b. 1-4 Cup Setting**
For brewing smaller pots of coffee. It provides 'double' heating of the water, so coffee is piping hot.
 - c. Self-Clean Setting**
Tells you when it's time to clean your coffeemaker. Remove built-up calcification from the water reservoir, to help extend the life of your coffeemaker.
- 10. Brew Pause™**
Stops flow of coffee from basket when carafe is removed (30 seconds max) from the heater plate, so a cup can be poured in mid-brew. Since the extraction rate varies during the brew cycle, we recommend allowing the brewing cycle to finish before pouring the coffee.

11. Thermal Carafe with Hands-Free Lid

An easy pour, no drip double-wall insulated 10-cup stainless steel thermal.

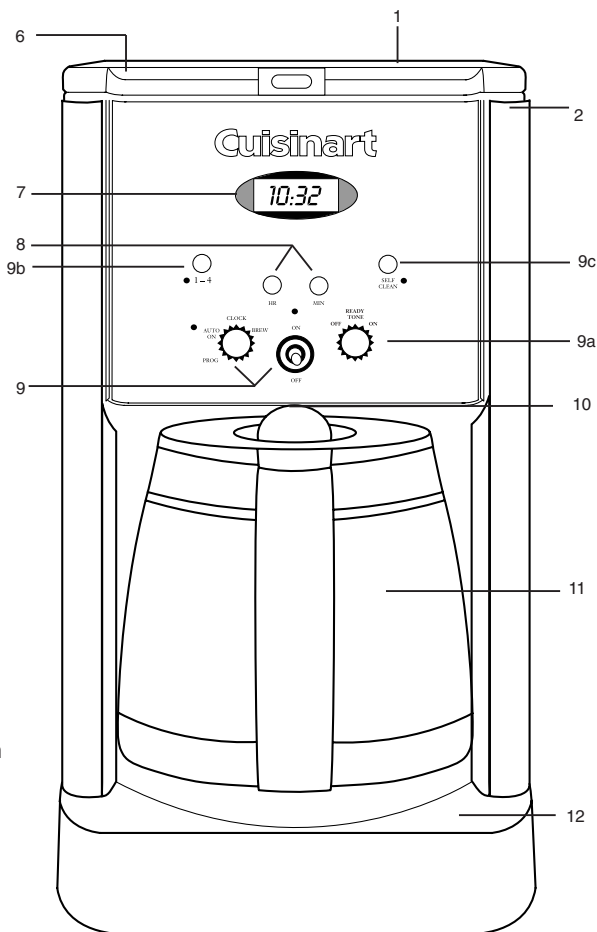
Coffee brews through and pours through a unique lid that seals air out to provide fresh flavour. No need to turn or adjust lid.

12. Resting Plate

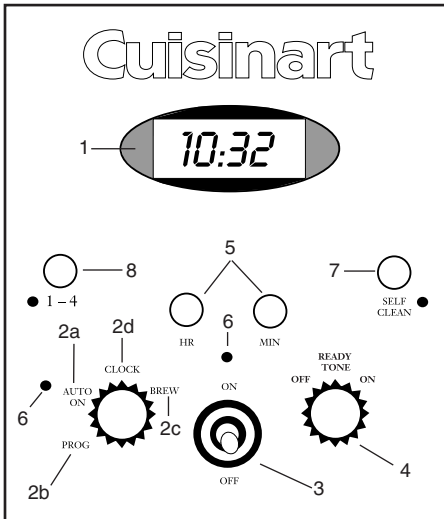
Scratch resistant with black, nonstick coating.

13. Cord Storage (not shown)

14. Measuring Scoop (not shown)



CONTROL PANEL



1. Clock Display

Displays time of day and auto on and off times.

2. Function Knob

For setting time of day, and auto on and auto off times.

a. Auto On

The Auto On feature is used to program the start time of the brew cycle. The auto on time can be set for any time, day or night. The "PM" indicator is displayed on the LCD for nighttime program times.

b. Program Set

The Program Set function is used to set the time for the Auto On function.

c. Brew

The Brew function is used to start the brew cycle directly.

d. Clock Set

Used to program the time of day.

3. Flip Switch

Retro-style flip switch is used to turn your coffeemaker on and off and works in tandem with the function knob.

4. Ready Tone Control Knob

The Brew Central Thermal™ Coffeemaker is equipped with an audible tone which will sound 5 times when the coffee has completed brewing (coffee will continue to stream from the filter for a few seconds after tone).

Choose "ON" for audible signal or choose "OFF" to turn audible signal off.

5. Hour and Minute Buttons

For use in setting hour and minute for time of day and auto on time.

6. On and Auto On Indicator Lights

7. Self Clean Setting

Used for removing calcium buildup.

8. 1-4 Cup Setting

For brewing smaller pots of coffee – it provides 'double' heating of the water, so coffee is piping hot.

PROGRAMMING YOUR COFFEEMAKER

TO BREW COFFEE

1. Turn the FUNCTION KNOB to the “Brew” position.
2. Lift the FLIP SWITCH up to the “On” position and release. The red “On” indicator light will illuminate and brew cycle will begin.

TO TURN THE COFFEEMAKER OFF

Simply press the FLIP SWITCH down to the “Off” position and release.

PROGRAMMING YOUR COFFEEMAKER FOR DELAYED BREW TIME

To set the Time:

1. Turn the FUNCTION KNOB to “Clock”.
 - a. **Hours:** Press and hold the “Hour” button to scroll through numbers quickly. When number displayed approaches the desired setting, press and release (pulse) the button to advance one digit at a time. After setting the correct hour, the default will be the last time set unless power is shut off.

Note: When the number count passes 12, the PM light will be displayed on the LCD.

- b. **Minutes:** Press and hold the “Minute” button to scroll through numbers quickly. When number displayed approaches the desired setting, press and release (pulse) the button to advance one digit at a time. After setting the correct minute, the default will be the last time set unless power is shut off. To finish setting time, turn the FUNCTION KNOB to any other setting or simply wait until the numerals stop blinking.

To program the Auto On

1. Set the desired Brew-Start time.
 - a. Turn the FUNCTION KNOB to “Prog”.
 - b. Set the time you want coffee to begin brewing by using the minute and hour push buttons. Follow the same instructions you used to set the time of day, in the **To set the time** section above.
2. Turn the FUNCTION knob to the “Auto On”

position. LCD will display the current time.

3. Lift and release the FLIP SWITCH. The green indicator light will come on to remind you that the programming function is in use. At the programmed time, the red light will come on as well, indicating that the brew cycle is starting. Both lights will go off when brew cycle ends.

NOTE: To reactivate the auto-on feature to start brew cycle at the same time another day, simply lift and release the FLIP SWITCH. The green “auto-on” light will illuminate.

Decalcification:

Decalcification refers to the removal of calcium deposits which form over time on the metal parts of the coffeemaker.

For best performance from your Brew Central Thermal™ Coffeemaker, decalcify the base unit from time to time. The frequency depends upon the hardness of your tap water and how often you use the coffeemaker. The flashing Self Clean light will indicate when you should clean your coffeemaker.

Self Cleaning:

If the Self Clean light begins to flash when the coffeemaker is turned on, it is telling you that the calcium buildup is interfering with the functioning of your coffeemaker and the flavour of your coffee. To clean, fill the water reservoir to capacity with a mixture of 1/3 white vinegar and 2/3 water. Press the Self Clean button. When the self clean light glows, turn the coffeemaker on by pressing the flip switch to ON. The Self Clean light will shine steadily. The coffeemaker is now in Self Clean mode. One cycle should be sufficient to adequately clean the coffeemaker. When the cycle is completed and the five beeps sound, the coffeemaker will shut off. Turn the coffeemaker ON to see if the Self Clean light continues to flash. If it does, turn it to OFF and then repeat the cleaning procedure with a fresh solution of vinegar and water.

If the Self Clean light no longer flashes, turn the coffeemaker to OFF and then run one cycle of fresh cold water through the unit before using the unit again to brew coffee.

Notes on the Self Clean Function

Pressing the Self Clean button cancels all other settings. If it is pressed accidentally,

press it again to return the coffeemaker to all its previous settings. Pressing ON/OFF will also exit the Self Clean Mode and turn the coffeemaker OFF.

1-4 Cup Setting:

The 1-4 cup setting button is used when you make small amounts of coffee. Normal coffeemakers will produce a colder batch of coffee when smaller amounts are made, because the heater doesn't have enough time to properly 'warm up' to heat a small amount.

The 1-4 setting basically 'double heats' the water, making your smaller amount as piping hot as a full pot would be.

To use: When making a smaller amount, press the 1-4 button on the control panel after turning on the unit.

Ready Tone Control:

The Brew Central Thermal™ Coffeemaker is equipped with an audible tone which will sound 5 times when the coffee has completed brewing (coffee will continue to stream from the filter for a few seconds after tone).

Choose "ON" for audible signal or choose "OFF" to turn audible signal off.

MAKING COFFEE

Before you make the first pot of coffee in your new Cuisinart® Brew Central Thermal™ Coffeemaker, we recommend operating the coffeemaker once using only water and a paper filter. This will remove any dust or residues that remain in the system from the manufacturing process.

1. Insert the Water Filter:

- Remove the filter from polybag and soak in cold tap water for 15 minutes.
- Remove the water filter holder from the coffeemaker by lifting it out of the reservoir area with your thumb and forefinger.
- Grasp stem in one hand. Using thumb of other hand, gently press down and pull toward you. Compartment will flip open.

- Place the filter in the holder and close the water filter holder; you will hear a snap indicating it is in place.

NOTE: Caution must be used when inserting the charcoal filter. Improper placement in the holder can cause tearing of the filter skin.

- Hold the filter under cold running tap water for 10 seconds to flush. You should place the hole openings in the side of the unit directly under the water stream.
- Allow the filter to drain completely.
- Replace the water filter holder in the reservoir area of the coffeemaker, pushing it all the way down to the base of the unit, along the reservoir wall.

Note: We recommend changing the water filter every 60 days or 60 uses – more often if you have hard water.

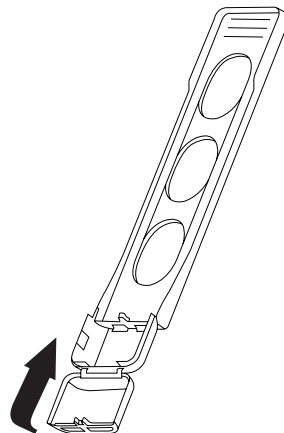
Replacement water filters can be purchased in stores or by calling customer service or through the Cuisinart web site.

2. Fill the water reservoir:

When filling the coffeemaker with water, refer to the reservoir height markings and fill to the desired number of cups.

3. Add the ground coffee:

Remove the filter basket by grasping the handle and lifting straight up, and then place it on the countertop. Insert a #4 paper filter



or permanent filter. Be sure that the paper filter is completely open and fully inserted in the basket. It may help to fold and flatten the seams of a paper filter beforehand. Add the desired amount of ground coffee, corresponding to the number of cups being brewed. Many coffee bars and the Specialty Coffee Association of America recommend adding 2 rounded tablespoons (30 ml) of coffee per 6 ounces (170 ml) of water. Some coffee manufacturers recommend using 1 tablespoon (15 ml) per cup. We recommend using 1 tablespoon (15 ml) of ground coffee per cup, but use more or less to suit your taste.

NOTE: The maximum capacity for ground coffee is 15 tablespoons (225 ml) for this 10 cup (1.5 L) coffeemaker. Exceeding this amount may cause overflow if the coffee is too finely ground.

Replace the filter basket in the filter basket holder and flip the water reservoir lid closed. Press firmly on top where it says "Press to Close". Be sure that it closes securely in place.

Before brewing coffee:

Remove thermal carafe lid by turning in the direction of the "unlock" arrow. Prewarm carafe by rinsing it out with hot water. **PREWARMING THE CARAFE WILL HELP KEEP THE COFFEE HOTTER.**

Return the carafe lid to the carafe. To lock the lid, turn in the direction of the "lock" arrow until it fits tightly on carafe and arrow lines up in the centre of the pour spout. This ensures lid is closed and in the proper position for brewing and pouring.

Make sure you have replaced the carafe in its position on the heating plate and have closed the top cover. Plug the cord into an electrical outlet.

4. Power unit:

Turn the function knob to brew, lift flip switch up to "On" position, and the red indicator light will turn on. Or, set the Auto On function and the green indicator will light.

5. During and after brewing:

The Brew Pause™ feature allows you to remove the carafe from the plate during mid-brew. The brewing process does not

stop during this period – only the flow of coffee from the basket stops. Do not remove the carafe for longer than 30 seconds or the coffee may overflow the basket. While we offer this feature, we do not recommend that you pour the coffee before the cycle has reached completion, since the coffee brewed at the beginning of the cycle has a flavour profile which is very different from the flavour at the end of the cycle. Removing a cup during the brewing cycle will alter the flavour of the finished pot.

Once the coffee has finished brewing, stir it before serving to blend the flavours. The coffee at the bottom of the carafe will be somewhat stronger than the coffee at the top.

When the brewing cycle has been completed, five beeps will sound unless you have turned off the ready tone. Coffee will continue to stream from the filter for several seconds.

After brewing, the unit will automatically shut itself off. The thermal carafe will keep the coffee hot for hours.

Bottom of Thermal Carafe is hot to touch for several minutes after brewing. Use caution.

The brew-through, pour-through lid allows coffee to drip from coffeemaker through the closed lid. When brewing is complete, the lid seals itself so air stays out and coffee freshness and temperature are preserved. No need to turn or adjust the lid before pouring.

CLEANING AND MAINTENANCE

Always turn coffeemaker OFF and remove the plug from the electrical outlet before cleaning.

Lift up the reservoir cover. Remove and discard the paper filter and ground coffee. The filter basket and gold tone filter can be washed in warm, soapy water and rinsed thoroughly, or cleaned in the upper rack of the dishwasher. Dry all parts after use.

Do not put any water in the unit once the filter basket has been removed. Wipe the area under the filter basket with a damp cloth.

Remove the carafe from the resting plate. Discard any remaining coffee. The carafe and lid can be washed in warm, soapy water and rinsed thoroughly, or placed in a dishwasher. The carafe and carafe lid should be placed on the upper rack only.

Do not use any scouring agents or harsh cleansers on any part of the coffeemaker.

Never immerse base unit in water or other liquid. To clean base, simply wipe with a clean, damp cloth and dry before storing. Fingerprints and other blemishes on the stainless steel housing can be washed off with soap and water or a nonabrasive cleaning solution. Wipe resting plate with a clean, damp cloth. Never use rough, abrasive materials or cleansers to clean the resting plate. Do not dry the inside of the water reservoir with a cloth, as lint may remain.

WARRANTY

LIMITED THREE-YEAR WARRANTY

This warranty supersedes all previous warranties on the Cuisinart® Brew Central Thermal™ Coffeemaker. This warranty is available to consumers only. You are a consumer if you own a Cuisinart® Brew Central Thermal™ Coffeemaker that was purchased at retail for personal, family or household use. This warranty is not available to retailers or other commercial purchasers or owners.

We warrant that your Cuisinart® Brew Central Thermal™ Coffeemaker will be free of defects in material or workmanship under normal home use for three years from the date of original purchase.

For warranty purposes, we would like to suggest that you register your product on-line at www.cuisinart.ca to facilitate verification of the date of original purchase. However, should you not wish to register on-line we recommend the consumer to maintain original receipt indicating proof of purchase. In the event that you do not have proof of purchase date, the purchase date for purposes of this warranty will be the date of manufacture.

When calling our Authorized Service Centre for in warranty service please make reference to your model number and the manufacturing

date code. This information can be found in the rating area on the body or underneath the base of your unit. The model number will follow the word Model: DCC-1400C. The manufacturing date code is a 4 or 5 digit number sometimes followed by a letter. Example, 40630K would designate year, month & day (2004, June 30th).

If your coffeemaker should prove to be defective within the warranty period, we will repair it or, if we think it necessary, replace it. To obtain warranty service, please call our Consumer Service Centre toll-free at 1-800-472-7606 or write to:

Cuisinart Canada
156 Parkshore Drive
Brampton, Ont. L6T 5M1

To facilitate the speed and accuracy of your return, please also enclose \$10.00 for shipping and handling of the product. Please also be sure to include a return address, description of the product defect, product serial number, and any other information pertinent to the product's return. Please pay by cheque or money order.

NOTE: For added protection and secure handling of any Cuisinart® product that is being returned, we recommend you use a traceable, insured delivery service.

Cuisinart cannot be held responsible for in transit damage or for packages that are not delivered to us. Lost and/or damaged products are not covered under warranty.

Your Cuisinart® coffeemaker has been manufactured to strict specifications and has been designed for use with the Cuisinart® coffeemaker authorized accessories and replacement parts for your model.

These warranties expressly exclude any defects or damages caused by accessories, replacement parts or repair service other than those that have been authorized by Cuisinart. These warranties exclude all incidental or consequential damages.

BEFORE RETURNING YOUR CUISINART PRODUCT

Important: If the nonconforming product is to be serviced by someone other than

Cuisinart's Authorized Service Centre, please remind the servicer to call our Consumer Service Centre to ensure that the problem is properly diagnosed, the product serviced with the correct parts, and to ensure that the product is still under warranty.

Cuisinart®

SAVOR THE GOOD LIFE®



Coffeemakers



Food Processors



Toaster Ovens



Blenders



Cookware



Ice Cream Makers

Cuisinart offers an extensive assortment of top quality products to make life in the kitchen easier than ever. Try some of our other countertop appliances and cookware, and Savor the Good Life®.

www.cuisinart.ca

©2005 Cuisinart

Cuisinart® is a registered trademark of Cuisinart

156 Parkshore Dr.
Brampton, Ont. L6T 5M1

Consumer Call Centre E-mail:
Consumer_Canada@Conair.com

Printed in China

05CC25005

IB-5255-CAN

©2005 Cuisinart
Cuisinart® est une marque
de commerce déposée de Cuisinart
156, chemin Parkshore
Brampton, Ont. L6T 5M1
Courriel centre au consommateur :
Consumer_Canada@Conair.com
Imprimé en Chine
05CC25005

www.cuisinart.ca

Découvrez la gamme complète d'appareils électroménagers haut de gamme Cuisinart® qui comprend les robots de pleine taille, mini-robots, mélangeurs, grille-pain, cafetières et fours-grilloirs sur notre site.

Moulin-
Cafetières



Robots
culinaires



Fours-grilloirs



Mélangeurs



Batterie
de cuisine



Sorbetières



SAVOR THE GOOD LIFE®
Cuisinart®

préposé de téléphoner à notre Centre de service
client afin de s'assurer que le problème a été bien
diagnostiqué, que le produit est réparé en utilisant
les pièces approuvées et que le produit est encore
couvert par la garantie.

Cette garantie annule et remplace toute garantie antérieure sur la Cafetière isolante Brew Central Thermal™ de Cuisinart®. Cette garantie n'est offerte qu'aux consommateurs. Par consommateur, on entend tout propriétaire d'une Cafetière isolante Brew Central Thermal™ de Cuisinart® achetée aux fins d'un usage personnel, familial ou ménager. Cette garantie n'est pas offerte aux détaillants ni aux acheteurs ou propriétaires de commerces. Nous garantissons la Cafetière isolante Brew Central Thermal™ de Cuisinart® contre les vices de matière et de fabrication en usage ménager normal, pour une période de trois ans à compter de la date d'achat originale.

Aux fins de cette garantie, nous vous suggérons d'inscrire votre produit en ligne à www.cuisinart.ca en vue d'en faciliter la vérification de la date d'achat originale. Toutefois, si vous préférez ne

GARANTIE LIMITÉE DE 3 ANS

GARANTIE

bien. Encore, mettez-le au lave-vaisselle, sur le panier du haut. Essayez bien toutes les pièces. **Ne mettez pas d'eau dans la cafetière une fois le filtre enlevé. Essayez la partie sous le filtre avec un linge humide.** Retirez la verseuse de la plaque chauffante. Jetez le café restant. La verseuse et son couvercle se lavent à l'eau chaude savonneuse. Rincez-les bien. Encore placez-les au lave-vaisselle, sur le panier du haut seulement. N'utilisez pas de tampons à récurer ni de nettoyeurs puissants pour nettoyer les pièces de la cafetière. N'immergez jamais la base dans l'eau ou tout autre liquide. Pour la nettoyer, il suffit de l'essuyer avec un linge humide propre et de la sécher avant de la ranger. Les empreintes de doigts et autres saletés sur le bôtier en acier inoxydable s'enlèvent à l'eau savonneuse ou avec une solution nettoyante douce. Essayez le socle à l'aide d'un linge humide et propre. N'utilisez jamais d'agents de récupération ni de produits abrasifs pour nettoyer le socle. N'essayez pas l'intérieur du réservoir avec un linge, car des fibres de coton ou de la charpie pourraient s'y déposer.

pas vous inscrire en ligne, nous vous recommandons de retenir votre reçu de caisse original indiquant la date d'achat. Advénant que vous n'avez pas de preuve de date d'achat, la date d'achat sera alors la date de manufacture, aux fins de cette garantie.

Lorsque vous téléphonez à un de nos centres de service autorisés, assurez-vous de fournir le numéro de modèle de votre appareil de même que le code de la date de fabrication. Vous trouverez cette information sur le bôtier ou sous la base de votre appareil. Le numéro de modèle est inscrit ainsi : Modèle : DCC-1400C. Le code de la date de fabrication comporte 4 ou 5 chiffres qui sont parfois suivis d'une lettre. Par exemple : 40630K, désigne l'année, le mois et le jour (2004, juin, 30).

Advénant que la Cafetière isolante Brew Central Thermal™ de Cuisinart® fasse défaut au cours de la période de garantie, nous la réparerons ou, si nous le jugeons nécessaire, la remplacerons sans frais. Pour obtenir un service au titre de la garantie, veuillez téléphoner à notre service après-vente au 1-800-472-7606 ou écrire à :

Cuisinart Canada
156, chemin Parkshore
Brampton, Ont. L6T 5M1

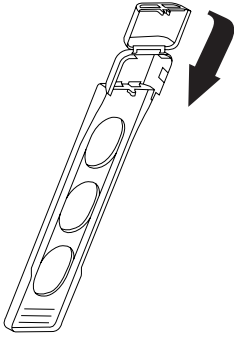
Afin d'accélérer le renvoi, nous vous prions de joindre un chèque ou mandat-poste de 10,00 \$ pour les frais d'administration. Assurez-vous d'inclure une adresse de renvoi, une description du défaut, le numéro de série du produit et tout autre renseignement pertinent au renvoi du produit.

REMARQUE : Pour plus de protection et assurer une meilleure maintenance de tout produit Cuisinart® que vous retournez, nous vous recommandons de vous adresser à un service de livraison mandons et identifiable. La maison Cuisinart ne peut être tenue responsable des dommages encourus lors du transport ou des envois qui ne lui sont pas parvenus. La garantie ne couvre pas les produits perdus et/ou endommagés.

Votre Cafetière Cuisinart® a été fabriquée selon des normes strictes de qualité et a été conçue pour n'être utilisée qu'avec des accessoires et des pièces de rechange autorisées par Cuisinart®.

AVANT DE RETOURNER VOTRE PRODUIT CUISINART®

Important : Si le produit défectueux doit être réparé ailleurs que dans un Centre de service autorisé par Cuisinart, veuillez rappeler au



- le soulevant du réservoir à l'aide du pouce et de l'index.
- c. Tenez la base d'une main et avec le pouce de l'autre main, appuyez légèrement vers le bas et tirez vers vous. Le compartiment s'ouvrira d'un coup.
- d. Placez le filtre dans le panier et fermez le panier; un bruit sec se fera entendre pour indiquer qu'il est bien en place.
- REMARQUE :** Vous devez insérer le filtre à charbon avec soin car s'il est mal placé dans le panier, il risque de déchirer.
- e. Tenez le filtre sous l'eau courante du robinet pendant 10 secondes pour le nettoyer. Vous devez placer les ouvertures sur le côté de l'appareil directement sous le débit d'eau.
- f. Laissez le filtre s'égoutter complètement.
- g. Remplacez le panier du filtre à eau dans le réservoir de la cafetière, poussez-le complètement jusqu'au bas de l'appareil, le long de la paroi du réservoir.
- Remarque : Nous vous recommandons de changer le filtre à eau tous les 60 jours ou après 60 utilisations et plus souvent si l'eau de votre robinet est dure.
- Vous pouvez acheter les filtres à eau de rechange dans les magasins ou en téléphonant au centre de service à la clientèle ou encore sur le site Web de Cuisinart.
- 2. Pour remplir le réservoir à eau :**
Remplissez la cafetière d'eau, vous guidant sur l'indicateur du nombre de tasses d'eau voulue dans le réservoir.
- 3. Pour ajouter les graines :**
Enlevez le panier-filtre en le tenant par la

s'éteindra. Rallumez la cafetière et si le témoin Self Clean se met à clignoter, refaites un cycle d'auto-nettoyage.

Si le témoin Self Clean reste éteint, étiquez la cafetière et faites un autre cycle avec de l'eau fraîche seulement afin de bien nettoyer la cafetière.

Remarques sur l'auto-nettoyage
Appuyer sur Self Clean annule tous les autres réglages. Si vous appuyer sur la touche par inadvertance, appuyez de nouveau dessus pour remettre la cafetière à son état précédent. Appuyer sur l'interrupteur permet aussi de quitter le mode d'auto-nettoyage et d'éteindre la cafetière.

Réglage de 1 - 4 tasses :

Le bouton de réglage de 1 à 4 tasses s'utilise lorsque vous préparez de petites quantités de café. Avec la plupart des cafetières, le café n'est jamais aussi chaud, parce que l'élément chauffant n'a pas le temps nécessaire pour réchauffer convenablement une petite quantité.

Le réglage 1 - 4 tasses sert à faire chauffer l'eau de deux fois afin que les petites quantités de café soient tout aussi chaudes qu'une pleine cafetière.

Mode d'emploi : Pour préparer une petite quantité, appuyez sur le bouton 1 - 4 sur le tableau de commande après avoir mis l'appareil sous tension.

Bouton de contrôle du bip sonore :

La Cafetière isolante Brew Central Thermal[™] est doté d'un bip sonore qui se fait entendre cinq fois au terme de cycle d'infusion (le café continuera de s'écouler du filtre pendant quelques secondes après le bip sonore).

Choisissez « ON » pour le signal sonore ou « OFF » pour l'arrêter.

POUR FAIRE DU CAFÉ

Avant d'utiliser votre Cafetière isolante Brew Central Thermal[™] pour la première fois, nous vous recommandons de la faire fonctionner avec de l'eau et un filtre de papier seulement. Ceci aura pour but d'enlever toute poussière ou résidu de fabrication.

1. Insérez le filtre à eau :

- Retirez le filtre du sac en polyéthylène et faites-le tremper dans de l'eau froide du robinet pendant 15 minutes.
- Retirez le porte-filtre à eau de la cafetière en

Pour programmer la fonction marche

1. Réglez l'heure à laquelle vous voulez que l'infusion commence.

a. Tournez le bouton « FUNCTION » à « Prog ».

b. Réglez l'heure à laquelle vous voulez que le bouton-poussoir des minutes et des heures. Procédez ensuite comme vous l'avez fait pour programmer l'heure du jour dans la section « Pour régler l'heure » ci-dessus.

2. Tournez le bouton « FUNCTION » à la position « Auto On ». L'heure courante sera affichée.

3. Levez l'interrupteur et relâchez-le. Le voyant lumineux vert s'allumera pour vous rappeler que la fonction de programmation est en cours. À l'heure que vous avez programmée, le voyant rouge s'allumera pour indiquer que le cycle d'infusion commence. Les deux voyants s'éteignent quand le cycle d'infusion est terminé.

REMARQUE : Pour réactiver la fonction marche automatique à la même heure un autre jour, vous n'avez qu'à lever et relâcher l'interrupteur. Le voyant vert s'allumera.

Détarrage :

Par détarrage, s'entend l'élimination de dépôts de calcium qui se forment avec le temps sur les pièces métalliques de la cafetière.

Pour assurer le bon rendement de la cafetière Brew Central[™], détarré-en le socle de temps à temps. La fréquence dépend de la dureté de l'eau et de l'utilisation que vous faites de la cafetière. Le témoin Self Clean clignote quand il est temps de détarrer la cafetière.

Auto-nettoyage :

Si le témoin Self Clean se met à clignoter quand la cafetière est en marche, cela veut dire que le tartre accumulé peut nuire au bon fonctionnement de la cafetière et affecter l'arôme du café. Pour la nettoyer, utilisez une solution d'un tiers vinaigre blanc, deux tiers eau. Appuyez sur la touche Self Clean. Une fois que le témoin Self Clean reste allumé, mettez la cafetière en marche en appuyant sur « On ». La cafetière est alors au mode d'autonettoyage. Un cycle devrait suffire pour bien nettoyer la cafetière. Une fois le cycle terminé, une tonalité se fera entendre et la cafetière

PROGRAMMATION DE VOTRE CAFETIÈRE

POUR INFUSER LE CAFÉ :

1. Tournez le bouton « FUNCTION » à la position « Brew ».

2. Levez l'interrupteur à la position « ON » et relâchez. Le voyant lumineux rouge de mise en marche « ON » s'allumera et le cycle d'infusion commencera.

POUR METTRE LA CAFETIÈRE HORS TENSION :

Il suffit simplement de baisser l'interrupteur à la position « OFF » puis de relâcher.

DE LA CAFETIÈRE PROGRAMMATION DU TEMPS D'INFUSION

Pour régler l'heure :

1. Tournez le bouton « FUNCTION » à « Clock ».

a. Heures : Appuyez sur la touche « Hour » et

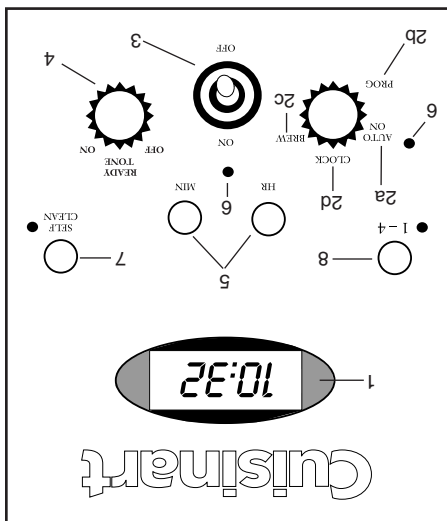
tenez-la abaissée pour faire défiler les nombres rapidement. Quand le chiffre est près de celui que vous désirez, appuyez et relâchez (par pulsation) la touche pour faire avancer un chiffre à la fois. Une fois l'heure programmée, l'heure par défaut qui sera affichée sera celle que vous aurez programmée en dernier lieu à moins d'une panne d'électricité.

Remarque : Quand les chiffres dépassent le 12, le voyant PM paraîtra sur l'affichage à cristaux liquides.

b. Minutes : Appuyez sur la touche « Minute »

et tenez-la enfoncée pour faire défiler les nombres rapidement. Quand le chiffre est près de celui que vous désirez, appuyez et relâchez (par pulsation) la touche pour faire avancer un chiffre à la fois. Une fois les minutes programmées, l'heure par défaut qui sera affichée sera celle que vous aurez programmée en dernier lieu à moins d'une panne d'électricité. Pour terminer la programmation de l'heure, tourez le bouton « FUNCTION » à « » à n'importe quel autre réglage ou attendez tout simplement que les chiffres cessent de clignoter.

TABEAU DE COMMANDE



- 4. Bouton de contrôle du bip sonore**
La Cafetière isolante Brew Central Thermal™ est dotée d'un bip sonore qui se fait entendre cinq fois au terme du cycle d'infusion (le café continuera de s'écouler du filtre pendant quelques secondes après le bip sonore).
Choisissezz « ON » pour le signal sonore ou « OFF » pour l'arrêter.

- 5. Touches des heures et minutes**
Elles servent à régler l'heure à l'horloge et l'heure de la mise en marche.

- 6. Indicateurs de marche et marche automatique**
tique

- 7. Auto-nettoyage**
Sert à détartrer la cafetière.

- 8. Réglage 1-4 tasses**

Pour préparer un petit pot de café - il permet un « double » chauffage de l'eau pour donner un café bien chaud.

- 1. Affichage de l'horloge**
Il donne l'heure ainsi que les heures de mise en marche et d'arrêt automatiques.

- 2. Bouton de fonctions**
Il sert à allumer et éteindre la cafetière, à régler l'heure et à régler la mise en marche et l'arrêt automatiques.

- a. Auto On**
Cette fonction sert à programmer l'heure de mise en marche automatique. Elle se règle à toute heure du jour ou de la nuit. Le voyant « PM » apparaît pour les heures après midi.

- b. Program Set**
Cette fonction sert à établir l'heure de la mise en marche automatique.

- c. Brew**
Cette fonction permet d'amorcer l'infusion immédiatement.

- d. Clock Set**
Cette fonction sert à régler l'heure sur l'horloge.

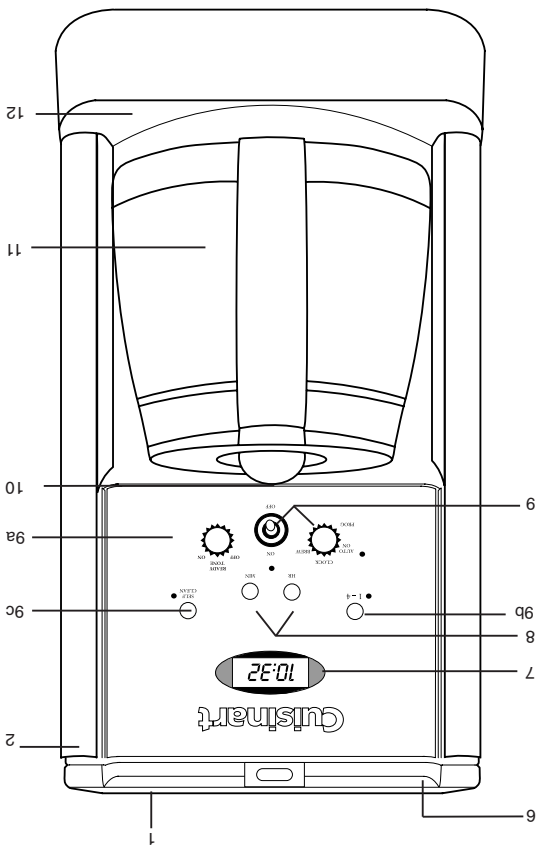
- 3. Interrupteur à bascule**

L'interrupteur de style rétro sert à allumer et éteindre la cafetière et s'utilise de pair avec le bouton de fonctions.

CARACTÉRISTIQUES ET AVANTAGES

REMARQUE : La quantité maximale de café moulu est de 15 cuillères à soupe (225 ml) par 12 tasses, que vous utilisiez un papier-filtre ou un filtre permanent. Utilisez plus de café fera déborder le filtre si le café est moulu trop fin.

1. **Couvercle du réservoir**
Il est monté sur charnière pour faciliter le remplissage.
2. **Réservoir d'eau**
Elle distribue l'eau uniformément sur le café, réduisant la perte de température alors que l'eau infuse les grains.
4. **Filtre à l'eau (non illustré)**
Le filtre à charbon élimine le chlore, le calcium, le mauvais goût et les mauvaises odeurs de l'eau du robinet.
5. **Filtre (non illustré)**
Il accepte un papier-filtre n°4 ou un filtre permanent.
6. **Porte-filtre**
Elle donne l'heure et sert à régler les fonctions automatiques.
7. **Horloge numérique à ACL**
Elles servent à régler l'heure et les fonctions automatiques.
8. **Touches d'heures et de minutes**
Il sert à initier la programmation des fonctions automatiques.
9. **Bouton de fonction**
Cinq bips sonores indiquent que le cycle d'infusion est complet. Choisissez « ON » pour le signal sonore ou « OFF » pour l'arrêter.
10. **Arrête l'infusion quand on retire la verseuse (max. de 30 s) de la plaque**
11. **Verseuse isolante avec couvercle**
Versuse isolante anti-gouttes de 10 tasses en acier inoxydable à paroi double.
Le café est infusé et s'écoule à même le couvercle hermétique unique qui lui garde sa pleine saveur. Nul besoin d'ajuster ou de visser le couvercle.
12. **Socle**
Il est revêtu d'un enduit antiadhésif noir résistant aux égratignures.
13. **Rangement du cordon (non illustré)**
14. **Pelle à mesurer (non illustrée)**



1. **Couvercle du réservoir**
Il est monté sur charnière pour faciliter le remplissage.
2. **Réservoir d'eau**
Elle distribue l'eau uniformément sur le café, réduisant la perte de température alors que l'eau infuse les grains.
4. **Filtre à l'eau (non illustré)**
Le filtre à charbon élimine le chlore, le calcium, le mauvais goût et les mauvaises odeurs de l'eau du robinet.
5. **Filtre (non illustré)**
Il accepte un papier-filtre n°4 ou un filtre permanent.
6. **Porte-filtre**
Elle donne l'heure et sert à régler les fonctions automatiques.
7. **Horloge numérique à ACL**
Elles servent à régler l'heure et les fonctions automatiques.
8. **Touches d'heures et de minutes**
Il sert à initier la programmation des fonctions automatiques.
9. **Bouton de fonction**
Cinq bips sonores indiquent que le cycle d'infusion est complet. Choisissez « ON » pour le signal sonore ou « OFF » pour l'arrêter.
10. **Arrête l'infusion quand on retire la verseuse (max. de 30 s) de la plaque**
11. **Verseuse isolante avec couvercle**
Versuse isolante anti-gouttes de 10 tasses en acier inoxydable à paroi double.
Le café est infusé et s'écoule à même le couvercle hermétique unique qui lui garde sa pleine saveur. Nul besoin d'ajuster ou de visser le couvercle.
12. **Socle**
Il est revêtu d'un enduit antiadhésif noir résistant aux égratignures.
13. **Rangement du cordon (non illustré)**
14. **Pelle à mesurer (non illustrée)**

TABLE DES MATIÈRES

Mises en garde importantes	Page 1
Directives de débailage	Page 2
Introduction	Page 3
En quête de la	

INTRODUCTION

Cuisinart introduit une cafetière de style rétro mais possédant toutes les fonctions haute technologie pour en faire le centre d'attraction de toute cuisine. La Cafetière isolante Brew Central Thermal[™] Cuisinart[®] nous ramène au temps du

style classique et des matériaux durables. L'extérieur en acier inoxydable brosse doté de contrôles rétro se vante de la technologie la plus évoluée. Grâce à son filtre à charbon qui élimine

toutes les impuretés de l'eau, vous êtes toujours assuré de déguster le café le plus délicieux qui soit. La Cafetière isolante Brew Central Thermal[™] est dotée de fonctions pratiques telles que

l'horloge numérique programmable avec réglage d'insuon jusqu'à 24 heures d'avance, l'arrêt automatique et un bip sonore qui indique la fin du cycle d'insuon pour vous aider à faire le meilleur café qui soit, le plus facilement possible.

EN QUÊTE DE LA TASSE DE CAFÉ PARFAITE

Il est généralement convenu qu'il existe quatre éléments constituant à une tasse parfaite :

1^{er} élément : l'eau

Le café se compose à 98 % d'eau. Souvent ignorée, la qualité de l'eau est aussi importante que la qualité du café. Réglez générale, si votre eau ne goûte pas bon à la sortie du robinet, elle ne goûtera pas mieux dans votre café. C'est pour cette raison que Cuisinart a ajouté un filtre à eau sur sa cafetière Brew Central Thermal[™].

Le filtre à charbon élimine le chlore, le mauvais goût et les mauvaises odeurs, pour donner un café des plus purs à tout coup.

2^e élément : le café

Bien que la majorité du liquide soit de l'eau, tout l'arôme devrait provenir du café. Ne vous attendez pas à un café de la qualité de celui que vous obtenez d'un établissement si vous n'utilisez pas des graines ou des moutures de la même qualité.

Si vous choisissez de moudre vous-même vos graines de café, assurez-vous qu'elles soient fraîches. Approvisionnement-vous pour de nouvelles tâches. Approvisionnement-vous pour de nouvelles graines. Environ et achetez des graines entières. Une fois la graine cassée, son arôme se perd très vite; aussi, le café devrait être moulu juste avant de l'insu. Si acheter de petites quantités n'est pas pratique, nous vous recommandons de diviser une grande quantité en portions d'une ou de deux semaines

immédiatement après l'achat et congelez-les dans des contenants hermétiques. La meilleure façon de soustraire un arôme maximal est de limiter l'exposition à l'air, à la lumière et à l'humidité.

Quand vous les sortez du congélateur, gardez les graines dans un contenant scellé, à température ambiante pour éviter qu'elles soient endommagées par la condensation chaque fois que vous les sortez du congélateur ou réfrigérez. Notez que certains experts déconseillent congeler le café noir car ses huiles peuvent coaguler; d'autres encore ne sont pas d'accord. Nous vous suggérons donc de faire vos propres expériences et de juger vous-même.

3^e élément : la mouture

La mouture est essentielle à l'extraction du bon arôme. Une mouture trop fine donnera une sur-extraction et un goût amer. Elle risque aussi d'empêcher le filtre. Une mouture trop grosse laissera filtrer l'eau trop rapidement, sans extraire l'arôme recherché.

4^e élément: Proportion

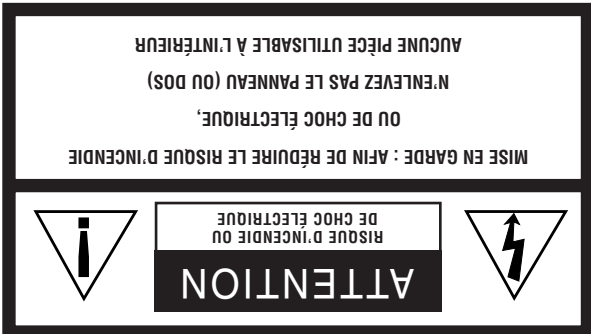
Les tasses de la cafetière Cuisinart sont de 5 onces (142 ml). Ajoutez la quantité de café insu. Plusieurs établissements commerciaux ont ainsi que la Specialty Coffee Association of America, recommandent 2 cuillères à soupe (25 ml) combles de café pour 6 onces (175 ml) d'eau. Certains fabricants de café recommandent une cuillère à soupe (15 ml) par tasse. Nous recommandons 1 cuillère à soupe (15 ml) de café par tasse - en quantité que vous pouvez ajuster à votre goût.

panier-filtre et causer des blessures. Si l'eau ou le café ne s'égoutte pas du panier-filtre durant le cycle d'infusion, débarrachez l'appareil et attendez 10 minutes avant d'ouvrir le panier-filtre pour vérification.

DIRECTIVES IMPORTANTES DE DÉBALLAGE

1. Placez la boîte sur une grande surface solide.
2. Sotez le manuel d'utilisation et la documentation.
3. Placez la boîte de façon à ce que le dos de la cafetière soit à plat et sortez la cafetière de la boîte.
4. Une fois la cafetière sortie, mettez la boîte de côté et enlevez les deux blocs de mousse dessus de la cafetière.
5. Enlevez le bloc de carton entre le couvercle de la verseuse et le dispositif Brew Pause^{MD}.
6. Saisissez la verseuse par la poignée, retirez-la de la plaque chauffante et sortez-la du sac de plastique.
7. Séparez la cafetière des deux autres blocs de mousse et sortez-la de son sac de plastique.

Nous vous suggérons de conserver le matériel d'emballage pour une utilisation ultérieure. Tenez tous les sacs de plastique hors de la portée des enfants.



DIRECTIVES

CONCERNANT LE CORDON SPÉCIAL

L'appareil est fourni avec un cordon court pour réduire le risque d'emmêlement ou d'accrochage. Des cordons plus longs sont disponibles mais devraient être utilisés avec prudence. Si vous utilisez une rallonge, la cote électrique de la rallonge doit être au moins égale à celle de l'appareil. Une rallonge devrait être disposée de façon à ce qu'elle ne pende pas du comptoir ou de la table, là où elle pourrait être tirée ou accrochée par un enfant.

AVIS

Cet appareil est muni d'une fiche d'alimentation polarisée (une des deux broches est plus large que l'autre). Si le branchement n'est pas complet, inversez la fiche. Si le branchement est toujours incomplet, communiquez avec un électricien qualifié. Ne modifiez pas la prise de quelque façon que ce soit.

AVIS DE FONCTIONNEMENT

Il se peut qu'il y ait engorgement ou trop-plein d'eau dans le panier-filtre attribuable à une ou plusieurs des raisons suivantes : une mouture trop fine, l'utilisation de deux filtres en papier ou plus, l'utilisation du filtre permanent doré et d'un filtre-papier en même temps, le filtre permanent doré n'est pas nettoyé comme il se doit ou les graines de café ont débordé le filtre. **Avertissement:** N'ouvrez jamais le panier-filtre durant le cycle d'infusion même si l'eau ne s'écoule pas du panier-filtre; de l'eau ou du café extrêmement chaud pourrait déborder du

11. Remplissez d'abord le réservoir d'eau puis brachez l'appareil. Pour le débrancher, placez l'interrupteur en position d'arrêt puis débranchez la fiche de la prise.
12. N'utilisez l'appareil que pour l'usage prévu.
13. Enclochez bien le couvercle de la verseuse avant de servir.
14. Vous risquez de vous ébouillanter si vous enlevez le couvercle en cours d'infusion.
15. La verseuse isolante est conçue pour être utilisée avec cet appareil seulement. Vous ne devez jamais la placer sur le dessus de la cuisinière.
16. Ne placez pas la verseuse chaude sur une surface mouillée ou froide.
17. N'utilisez pas une verseuse fissurée ou dont la poignée est lâche ou en mauvais état.
18. N'utilisez jamais de nettoyeurs, tampons de laine d'acier ni autre matière abrasive pour nettoyer la verseuse ou la plaque chauffante.
19. **AVERTISSEMENT : AFIN DE RÉDUIRE LE RISQUE DE CHOC ÉLECTRIQUE, N'ENLEVEZ PAS LE PANNÉAU DU SOCLE. AUCUNE PIÈCE RÉPARABLE À RÉPARATIONS À UNE PERSONNE AUTORISÉE.**
20. Évitez le contact avec les pièces mobiles.

CONSERVEZ CES DIRECTIVÉS RÉSERVÉ À L'USAGE MÉNAGER

MISE EN GARDE : RISQUE D'INCENDIE OU DE CHOC ÉLECTRIQUE

L'éclair terminé d'une fiche dans un triangle équilatéral a pour but d'attirer l'attention de l'utilisateur à la présence de fils non isolés de « Teusion dangereuse » à même le boîtier du produit, de puissance élevée pour causer un risque d'incendie ou de choc électrique aux personnes.

Le point d'exclamation dans un triangle équilatéral a pour but d'attirer l'attention de l'utilisateur à la présence d'importants directives d'utilisation et d'entretien dans la documentation incluse avec l'appareil.



- LISEZ TOUTES LES DIRECTIVES**
- Ne touchez pas les surfaces chaudes. Utilisez des mouffes ou des poignées.
- Pour éviter les chocs électriques, ne placez pas le cordon, la fiche ni le socle dans l'eau ou un liquide.
- Assurez une surveillance étroite quand l'appareil est utilisé par ou près d'un enfant.
- Déconnectez la fiche de la prise quand vous ne l'utilisez pas et avant de nettoyer.** Laissez-le refroidir avant d'ajouter ou d'enlever des pièces, et avant de nettoyer l'appareil.
- N'utilisez pas un appareil dont le cordon ou la fiche est endommagé, ou qui a mal fonctionné, qui a été échappé ou endommagé. Présentez l'appareil au centre Cuisinat le plus près où il sera inspecté, réparé et ajusté.
- L'utilisation d'accessoires non recommandés par Cuisinat peut causer des blessures.
- Ne l'utilisez pas à l'extérieur.
- Ne laissez pas le cordon pendre le long d'une table ou d'un comptoir, ni toucher une surface chaude.
- Ne le placez pas sur ou près d'un brûleur à gaz ou électrique chaud, ni dans un four chaud.

Série DCC-1400C

Cafetière isolante Brew Central Thermal™



Cuisinart®

Free Manuals Download Website

<http://myh66.com>

<http://usermanuals.us>

<http://www.somanuals.com>

<http://www.4manuals.cc>

<http://www.manual-lib.com>

<http://www.404manual.com>

<http://www.luxmanual.com>

<http://aubethermostatmanual.com>

Golf course search by state

<http://golfingnear.com>

Email search by domain

<http://emailbydomain.com>

Auto manuals search

<http://auto.somanuals.com>

TV manuals search

<http://tv.somanuals.com>