

# Cuisinart® INSTRUCTION BOOKLET

Recipe  
Booklet  
Reverse Side



**Griddler™ overstuffed sandwich maker**

**GR-SM**

For your safety and continued enjoyment of this product, always read the instruction book carefully before using.

U IB-7639

---

## CONTENTS

Important Safeguards.....	2
Instructions for Use .....	3
Special Features .....	3
Tips and Hints.....	4
Cleaning and Maintenance.....	4
Storage.....	4
Warranty.....	5

## IMPORTANT SAFEGUARDS

When using an electrical appliance, basic safety precautions should always be followed, including the following:

1. READ ALL INSTRUCTIONS.
2. Do not touch hot surfaces. Use handles and knobs.
3. To protect against fire, electrical shock, and injury to persons, DO NOT IMMERSE CORD, plug, or unit in water or other liquids.
4. Close supervision is necessary when any appliance is used by or near children.
5. Unplug from outlet when not in use and before cleaning. Allow to cool before putting on or taking off parts, and before cleaning appliance.
6. Do not operate any appliance with a damaged cord or plug or after the appliance malfunctions or has been damaged in any manner. Return appliance to the nearest Customer Service (see Warranty for details) for examination, repair, or adjustment.
7. The use of accessory attachments not recommended by Cuisinart may result in fire, electrical shock, or injury to persons.
8. Do not use outdoors.
9. Do not let power cord hang over edge of table or counter, or touch hot surfaces.
10. Do not place on or near a hot gas or electric burner, or in a heated oven.
11. Unplug the unit when finished cooking.

12. Do not use appliance for other than intended use.
13. Extreme caution must be used when moving an appliance containing hot oil or other hot liquids.
14. Always attach plug to appliance first, then plug cord into the wall outlet. To disconnect, remove plug from wall outlet.
15. WARNING: TO REDUCE THE RISK OF FIRE OR ELECTRIC SHOCK, REPAIR SHOULD BE DONE ONLY BY AUTHORIZED PERSONNEL. DO NOT REMOVE THE BASE PANEL. NO USER SERVICEABLE PARTS ARE INSIDE.

## SAVE THESE INSTRUCTIONS

## FOR HOUSEHOLD USE ONLY

## SPECIAL CORD SET INSTRUCTIONS

A short power-supply cord is to be provided to reduce the risks resulting from becoming entangled in or tripping over a longer cord.

Longer extension cords are available and may be used if care is exercised in their use.

If a long extension cord is used, the marked electrical rating of the extension cord should be at least as great as the electrical rating of the appliance, and the longer cord should be arranged so that it will not drape over the countertop or tabletop where it can be pulled on by children unintentionally, or tripped over.

## NOTICE

This appliance has a polarized plug (one blade is wider than the other). To reduce the risk of electric shock, this plug will fit in a polarized outlet only one way. If the plug does not fit fully in the outlet, reverse the plug. If it still does not fit, contact a qualified electrician. Do not modify the plug in any way.

# INSTRUCTIONS FOR USE

1. Before using your Cuisinart® Griddler™ overstuffed sandwich maker for the first time, remove all protective paper and wrapping. Remove any dust from shipping by wiping the plates with a damp cloth.
2. Preheat the sandwich maker. Close lid and plug cord into a 120V AC wall outlet. The red light will go on to signal power. The green indicator light will go on when unit is ready to use.

**Note:** The first time you use your sandwich maker, it may have a slight odor and may smoke a bit. This is normal, and common to appliances with a nonstick surface.

**Note:** The cooking plates of this Cuisinart® Griddler™ overstuffed sandwich maker have been treated with a special nonstick coating. Before the first use, we suggest you season the grids with cooking spray or oil. If using oil, apply with a paper towel or pastry brush. You may find it helpful to repeat this process before each use of the sandwich maker.

3. When the green indicator light goes on, place ingredients on bottom plate according to recipes. Close the lid and lock it.
4. It may take several seconds for the green light to go off. This is normal.
5. Once the food is ready to eat, the green light will come on again.
6. Remove food by gently loosening the edges with a heat-proof plastic spatula. Never use metal utensils, as they may damage the nonstick coating.
7. Always disconnect the plug from the wall outlet once cooking is completed.

## SPECIAL FEATURES

### 1. Indicator Lights

Red light illuminates when sandwich maker has power on.

Green light illuminates when sandwich maker is ready to cook.

Green light illuminates again when food is ready.

### 2. Lock Down Lid

Lock-on handle secures contents while cooking.

### 3. Rubber Feet

Will not mark countertop; keep unit steady.

### 4. Nonstick Plates

Removable and dishwasher safe.

### 5. Brushed Stainless Steel Housing Cover

### 6. Cord Storage (not shown)

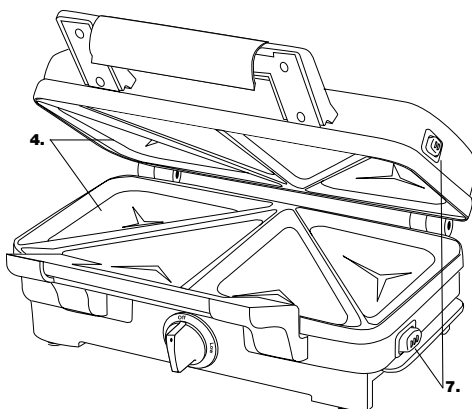
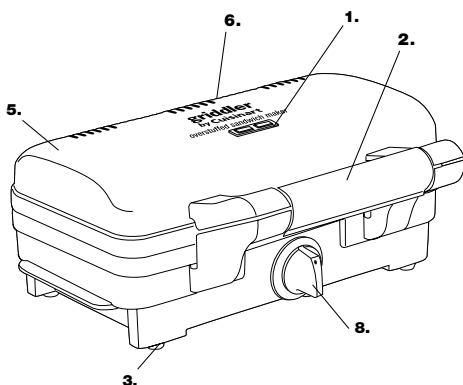
Cord wraps under unit for easy storage.

### 7. Plate Release Button

Push in to release and remove cooking plates.

### 8. Temperature Control Knob

Low, Medium and High settings.



---

## Tips And Hints

Preheat your Cuisinart® Griddler™ overstuffed sandwich maker completely before using. For sandwiches that are quick to assemble, prepare sandwich fixings while grill is preheating. The lid to the sandwich maker should be closed while it is preheating as well as in between making batches of sandwiches.

The Cuisinart® Griddler™ overstuffed sandwich maker is designed to accommodate breads of all shapes and sizes. The sandwich plates measure 5½ x 5 inches to accommodate a wide variety of bread sizes. Breads that are longer than 5½ inches can easily be toasted lengthwise or on the diagonal. Breads can also be sliced from whole loaves.

Butter, margarine, and olive oil are recommended for coating the outside of bread when making sandwiches. “Light” versions of margarines are not recommended as they do not withstand heat (check manufacturer’s labels for cooking recommendations for best results).

Have butter or margarine at room temperature when spreading on bread, or melt and apply with a pastry brush.

For best results, moist ingredients such as sliced tomatoes or fruits, pickles, etc., should be blotted or patted dry with a paper towel. Sauces, such as tomato sauce or salsa, can be drained for a short time in a strainer lined with a coffee filter to remove excess liquid.

There are limitless filling options for the sandwich maker – from breakfast to snacks and from dinner to dessert. Try a wide variety of breakfast sandwiches, and omelets, mini pizzas and calzones, burritos and fruit pies.

Make tasty muffins and small cakes in your sandwich maker. Most muffin mixes bake best by using the setting between medium and high. Spray sandwich plates with cooking spray once preheated and use ¼ cup of batter per sandwich pocket.

Muffins bake between 6 and 9 minutes.

Packaged biscuits, bread and pizza doughs found in the refrigerated section make great sandwich “shells” for any type of filling.

## CLEANING AND MAINTENANCE

Once you have finished cooking in the sandwich maker, remove plug from electrical outlet. Leave top lid open so plates begin to cool.

Never take your sandwich maker apart for cleaning. Simply brush crumbs from grooves, and absorb any excess cooking oil or excess fillings by wiping with a dry cloth or paper towel.

You may clean the cooking plates by wiping with a damp cloth, or you may put them in the dishwasher. This will prevent staining or sticking from build up of oil or fillings. **Be certain plates have cooled completely before cleaning.** If food adheres to plates, simply pour a little cooking oil onto area and let stand approximately 5 minutes, thus allowing baked-on food to soften for easy removal.

To clean exterior, wipe with a soft dry cloth. Never use an abrasive cleanser or harsh pad. **Never immerse cord, plug or unit in water or other liquid. DO NOT PUT IN DISHWASHER.**

## STORAGE

Store with cord wrapped securely in the rear of the base. For compact storage, stand sandwich maker upright on back end. The sandwich maker has been designed with a special latch so lid stays closed during storage.

---

# WARRANTY

## Limited Three Year Warranty

This warranty is available to consumers only. You are a consumer if you own a Cuisinart® Griddler™ overstuffed sandwich maker that was purchased at retail for personal, family or household use. Except as otherwise required under applicable law, this warranty is not available to retailers or other commercial purchasers or owners.

We warrant that your Cuisinart® Griddler™ overstuffed sandwich maker will be free of defects in materials and workmanship under normal home use for 3 years from the date of original purchase.

We suggest you complete and return the enclosed product registration card promptly to facilitate verification of the date of original purchase. However, return of the product registration card does not eliminate the need for the consumer to maintain the original proof of purchase in order to obtain the warranty benefits. In the event that you do not have proof of purchase date, the purchase date for purposes of this warranty will be the date of manufacture.

If your Cuisinart® Griddler™ overstuffed sandwich maker should prove to be defective within the warranty period, we will repair it, or if we think necessary, replace it. To obtain warranty service, simply call our toll-free number 1-800-726-0190 for additional information from our Customer Service Representatives, or send the defective product to Customer Service at Cuisinart, 150 Milford Road, East Windsor, NJ 08520.

To facilitate the speed and accuracy of your return, please enclose \$10.00 for shipping and handling of the product.

Please pay by check or money order (California residents need only supply proof of purchase and should call 1-800-726-0190 for shipping instructions).

**NOTE:** For added protection and secure handling of any Cuisinart® product that is being returned, we recommend you use a traceable, insured delivery service. Cuisinart cannot be held responsible for in-transit damage or for packages that are not delivered to us. Lost and/or damaged products are not covered under warranty. Please be sure to include your return address, daytime phone number, description of the product defect, product model number (located on bottom of product), original date of purchase, and any other information pertinent to the product's return.

Your Cuisinart® Griddler™ overstuffed sandwich maker has been manufactured to the strictest specifications and has been designed for use with the authorized accessories and replacement parts.

This warranty expressly excludes any defects or damages caused by accessories, replacement parts, or repair service other than those that have been authorized by Cuisinart.

This warranty does not cover any damage caused by accident, misuse, shipment or other ordinary household use.

This warranty excludes all incidental or consequential damages. Some states do not allow the exclusion or limitation of these damages, so they may not apply to you.

### CALIFORNIA RESIDENTS ONLY:

California law provides that for In-Warranty Service, California residents have the option of returning a nonconforming product (A) to the store where it was purchased or (B) to another retail store which sells Cuisinart products of the same type.

The retail store shall then, at its discretion, either repair the product, refer the consumer to an independent repair facility, replace the product, or refund the purchase price less the amount directly attributable to the consumer's prior usage of the product. If the above two options do not result in the appropriate relief to the consumer, the consumer may then take the product to an independent repair facility if service or repair can be economically accomplished. Cuisinart and not the consumer will be responsible for the reasonable cost of such service, repair, replacement, or refund for nonconforming products under warranty.

California residents may also, according to their preference, return nonconforming products directly to Cuisinart for repair, or if necessary, replacement, by calling our Consumer Service Center toll-free at 1-800-726-0190.

Cuisinart will be responsible for the cost of the repair, replacement, and shipping and handling for such products under warranty.

### BEFORE RETURNING YOUR CUISINART PRODUCT

If you are experiencing problems with your Cuisinart® product, we suggest that you call our Cuisinart® Service Center at 1-800-726-0190 before returning the product for servicing. If servicing is needed, a representative can confirm whether the product is under warranty and direct you to the nearest service location.

**\*Important:** If the nonconforming product is to be serviced by someone other than Cuisinart's Authorized Service Center, please remind the servicer to call our Consumer Service Center at 1-800-726-0190 to ensure that the problem is properly diagnosed, the product is serviced with the correct parts, and to ensure that the product is still under warranty.

---

**©2007 Cuisinart  
Cuisinart® is a registered  
trademark of Cuisinart**

**150 Milford Road  
East Windsor, NJ 08520  
Printed in China**

**07CU26396**

Any other trademarks or service marks of third parties referred to herein  
are the trademarks or service marks of their respective owners.

Version no.: GRSM IB-7639
Size: 140mm(W) x 216mm (H) Total Pages: 20 pages
Material: Cover : 157gsm Matt Artpaper Inside : 120gsm Gloss Artpaper
Coating: Gloss Varnishing in cover
Color: Cover:4C + 1C (Black) Inside:1C + 1C (Black)
Date: 07-10-2007
P. O. No. 0707000 (07-00-2007_OP)
Coordinator: Astor You
Printer: Chung Tai



新成 分色 製版 公司  
Classic Graphic Arts Company

Tel: 2357 0071

Fax: 2357 0318

## Free Manuals Download Website

<http://myh66.com>

<http://usermanuals.us>

<http://www.somanuals.com>

<http://www.4manuals.cc>

<http://www.manual-lib.com>

<http://www.404manual.com>

<http://www.luxmanual.com>

<http://aubethermostatmanual.com>

Golf course search by state

<http://golfingnear.com>

Email search by domain

<http://emailbydomain.com>

Auto manuals search

<http://auto.somanuals.com>

TV manuals search

<http://tv.somanuals.com>