

Cuisinart™ INSTRUCTION BOOKLET



Slow Cooker

CSC-650C

For your safety and continued enjoyment of this product,
always read the instruction book carefully before using.

Download from [Www.Somanuals.com](http://www.Somanuals.com). All Manuals Search And Download.

IMPORTANT SAFEGUARDS

When using an electrical appliance, basic safety precautions should always be followed:

- 1. READ ALL INSTRUCTIONS**
2. Do not touch hot surfaces; use handles or knobs.
3. To protect against risk of electrical shock, do not immerse the slow cooker housing in water or any other liquid. If housing falls into liquid, unplug the cord from outlet immediately. **DO NOT** reach into the liquid.
4. To avoid possible accidental injury, close supervision is necessary when any appliance is used by or near children.
5. Unplug from outlet when not in use and before cleaning. Allow to cool before putting on or taking off parts.
6. Do not operate any appliance with a damaged cord or plug or after the appliance has malfunctioned or has been dropped or damaged in any way or is not operating properly. Return the appliance to the nearest Cuisinart Repair Centre for examination, repair or mechanical or electrical adjustment.
7. The use of attachments not recommended by Cuisinart may cause fire, electrical shock, or risk of injury.
8. Do not use outdoors or anywhere the cord or unit housing might come into contact with water while in use.
9. Do not use the slow cooker for anything other than its intended use.
10. To avoid the possibility of the slow cooker being accidentally pulled off work

area, which could result in damage to the slow cooker or personal injury, do not let cord hang over edge of table or counter.

11. To avoid damage to cord and possible fire or electrocution hazard, do not let cord contact hot surfaces, including a stove.
12. Extreme caution must be used when moving a slow cooker containing hot oil or other hot liquids.
13. Do not place on or near a hot gas or electric burner, or in a heated oven.
14. Do not operate slow cooker in water or under running water.
15. Avoid sudden temperature changes, such as adding refrigerated foods to a heated pot.
16. **CAUTION: TO REDUCE THE RISK OF ELECTRIC SHOCK, COOK ONLY IN REMOVABLE CONTAINER. DO NOT IMMERSSE IN WATER.**

SAVE THESE INSTRUCTIONS FOR HOUSEHOLD USE ONLY

NOTICE:

This appliance has a polarized plug (one prong is wider than the other). As a safety feature, this plug will fit into a polarized outlet only one way. If the plug does not fit fully in the outlet, reverse the plug. If it still does not fit, contact a qualified electrician. Do not attempt to defeat this safety feature.

TABLE OF CONTENTS

Important Safeguards . . . page 1
Introduction page 2
Features and Benefits . . page 2
Assembly Instructions . . page 3
Operation
 Cooking with Timer . . . page 3
 Cooking without Timer . page 3
Cleaning
and Maintenance page 4
Warranty Information . . page 4

INTRODUCTION

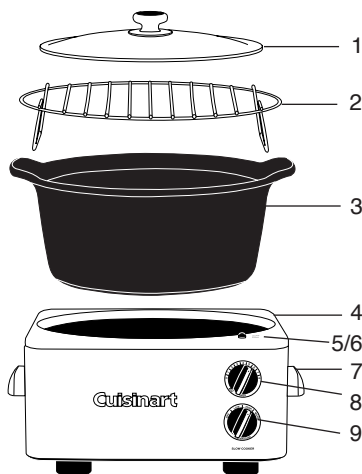
Get ready to slow down and enjoy easy meals! Your Cuisinart™ Slow Cooker is designed to cook favourite one-pot recipes and keep them warm, ready and waiting for you when you come home. Slow cooking is a traditional method that tenderizes meats and melds flavours to produce delicious family dinners and easy, relaxing suppers with friends. You can even prepare desserts in your Slow Cooker. Easy to operate, easy to serve, and easy to clean...enjoy!

FEATURES AND BENEFITS

- 1. Glass Lid w/ Stainless Steel Rim and Handle:** See-through glass lid keeps ingredients moist. Stainless steel compliments any kitchen.
- 2. Cooking Rack:** Allows you to use a 2 quart (1.9 L) soufflé pan or six 4 oz. ramekins in your Slow Cooker.
- 3. Ceramic Pot:** 6.5-quart (6.25 L) oval ceramic pot accommodates larger cuts of meat. Stick resistant and

dishwasher safe for easy cleaning.

- 4. Stainless Steel Housing:** Stainless steel construction allows for easy cleanup while wrap around heating elements ensure even cooking.
- 5. “Cook” Indicator Light:** Denotes that the unit is cooking on either the “Low” or “High” setting.
- 6. “Warm” Indicator Light:** Denotes that the unit has automatically switched to the warm setting if time has expired, or the unit has been manually switched to warm.
- 7. Chrome-plated Handles:** Cool touch insulated handles.
- 8. Timer Dial:** 8-hour timer allows you to set the cook time and temperature – then walk away. After the time expires, the unit automatically switches to the “Warm” setting.
- 9. Temperature Dial:** Settings include: “Off, Low, High, Warm.”
- 10. Retractable Cord Storage (not shown):** Convenient retractable cord storage.



ASSEMBLY INSTRUCTIONS

To use your Cuisinart™
Slow Cooker:

1. Carefully unpack the Slow Cooker.
2. Rinse the Ceramic pot and Glass Lid in warm, soapy water. Rinse well and dry thoroughly.
3. Wipe all interior and exterior surfaces of the Slow Cooker base with a soft, damp cloth.
4. Place ceramic pot in the base of the unit.
5. Place the lid on top of the ceramic pot.
6. Plug in power cord. Your Slow Cooker is now ready for use.

OPERATION

Your Cuisinart™ Slow Cooker cooks your food automatically when you set the time and the temperature. When time expires, the unit automatically switches to the “Warm” setting and the “Warm” LED illuminates. Your Slow Cooker also gives you the option to manually change the temperature. All you need to do is set the desired temperature and the unit will remain at that temperature until the unit is turned off or another temperature is selected.

Cooking WITH the Timer

1. Place the unit on a clean, dry counter.
2. Remove glass lid.
3. Fill ceramic pot with ingredients.
4. Place lid back on top of the ceramic pot.
5. Plug in unit.

6. Set desired time by turning the timer dial to the recommended cooking time: 1-8 hours using half hour increments.
7. Set desired temperature by turning the temperature dial to the “Low”, “High” or “Warm” setting.

NOTE: The “Warm” setting is not a cooking function; therefore, it is only for use with preheated foods.

8. The LED next to “Cook” will illuminate to denote the unit is in “Cook” mode and set on the “Low” or “High” temperature setting. For the “Warm” setting, the LED next to “Warm” will remain lit until the unit is turned off.

NOTE: If the timer is set to “0 Hours”, the unit will be in “Warm” mode no matter what the temperature dial states.

9. Once time has expired, the unit will automatically switch to the “Warm” setting and the LED next to “Warm” will illuminate.
10. Unit will continue to be in “Warm” mode until it is turned off by turning the temperature dial to the “Off” position.
11. Lift ceramic pot using pot holders.

Cooking WITHOUT the Timer

NOTE: We recommend that when cooking anything containing meat in a slow cooker, cook on the “High” temperature setting for up to 2 hours or until the meat reaches 140°F (60°C), then reduce to the “Low” temperature setting. This ensures that the meat will reach food safe temperatures in the proper amount of time.

Using the “Low” temperature setting without the timer is to be used only for recipes that require a constant low temperature.

When cooking on the “Low” setting using the timer, the Slow Cooker will automatically start on “High” and then drop to “Low” once the unit reaches 140°F (60°C).

1. Place the unit on a clean, dry counter.
2. Remove glass lid.
3. Fill ceramic pot with ingredients.
4. Place lid back on top of the ceramic pot.
5. Plug in unit.
6. Turn timer dial counterclockwise to the “On” position.
7. Set desired temperature by turning the temperature dial to the “Low”, “High” or “Warm” setting.

NOTE: The “Warm” setting is not a cooking function; therefore, it is only for use with preheated foods.

8. The LED next to “Cook” will illuminate to denote the unit is in “Cook” mode and set on the “Low” or “High” temperature setting. For the “Warm” setting, the LED next to “Warm” will illuminate.
9. Temperature will remain on the selected setting until the unit is turned off by turning the temperature dial to the “Off” position.
10. Lift ceramic pot using pot holders.

CLEANING AND MAINTENANCE

Unplug your Cuisinart™ Slow Cooker and allow it to cool before cleaning.

Place ceramic pot and lid in the dishwasher or wash with warm, soapy water. If food sticks to the surface, fill ceramic pot with warm, soapy water and allow to soak before cleaning.

If scouring is necessary, use a nonabrasive cleanser or liquid detergent with a nylon pad or brush.

WARRANTY

Three-Year Limited Warranty

This warranty supersedes all previous warranties on the Cuisinart™ Slow Cooker. This warranty is available to consumers only. You are a consumer if you own a Cuisinart™ Slow Cooker that was purchased at retail for personal, family, or household use. This warranty is not available to retailers or other commercial purchasers or owners. We warrant that your Cuisinart™ Slow Cooker will be free of defects in material or workmanship under normal home use for three years from the date of original purchase. We suggest that you complete and return the enclosed product registration card promptly or register on-line at www.cuisinart.ca to facilitate verification of the date of original purchase. However, return of this product registration card does not eliminate the need for the consumer to maintain the original proof of purchase in order to obtain the warranty benefits. In the event that you do not have proof of purchase, the purchase date for purposes of this warranty will be the date of manufacture.

If your Slow Cooker should prove to be defective within the warranty period, we will repair it (or, if we think it necessary, replace it) without charge to you. To obtain warranty service, please call our Consumer Service Centre toll-free at 1-800-472-7606, or write to:

Cuisinart
195 Parkshore Drive
Brampton, Ontario
L6T 5M1

To facilitate the speed and accuracy of your return, please enclose \$10.00 for shipping and handling of the product. Please also be sure to include a return address, daytime phone number, description of the product defect, product serial number (stamped on bottom of product base), and any other information pertinent to the product's return.

Please pay by cheque or money order.

NOTE: For added protection and secure handling of any Cuisinart® product that is being returned, we recommend you use a traceable, insured delivery service. Cuisinart cannot be held responsible for in-transit damage or for packages that are not delivered to us. Lost and/or damaged products are not covered under warranty.

Your Cuisinart™ Slow Cooker has been manufactured to strict specifications and has been designed for use with the Cuisinart™ Slow Cooker accessories and replacement parts. These warranties expressly exclude any defects or damages caused by accessories, replacement parts, or repair service other than those that have been authorized by Cuisinart.

These warranties do not cover any damage caused by accident, misuse, shipment, or other than ordinary household use. These warranties

exclude all incidental or consequential damages.

Before Returning Your Cuisinart Product

If you are experiencing problems with your Cuisinart product, we suggest that you call our Consumer Service Centre at 1-800-472-7606 before returning the product for servicing. Often, our Consumer Service Representatives can help solve the problem without having the product serviced. If servicing is needed, a Representative can confirm whether the product is under warranty and direct you to the nearest service location.

*** Important:** If the nonconforming product is to be serviced by someone other than Cuisinart's Authorized Service Centre, please remind the servicer to call our Consumer Service Centre at 1-800-472-7606 to ensure that the problem is properly diagnosed, the product is serviced with the correct parts, and to ensure that the product is still under warranty.

Cuisinart™

SAVOR THE GOOD LIFE™



Coffeemakers



Food
Processors



Toaster Ovens



Blenders



Cookware

Cuisinart offers an extensive assortment of top quality products to make life in the kitchen easier than ever. Try some of our other countertop appliances and cookware, and Savor the Good Life™.

www.cuisinart.ca

©2004 Cuisinart
Cuisinart® is a registered
trademark of Cuisinart

156 Parkshore Drive
Brampton, Ontario
L6T 5M1
Printed in China
04CC18020

IB-4931-CAN

Free Manuals Download Website

<http://myh66.com>

<http://usermanuals.us>

<http://www.somanuals.com>

<http://www.4manuals.cc>

<http://www.manual-lib.com>

<http://www.404manual.com>

<http://www.luxmanual.com>

<http://aubethermostatmanual.com>

Golf course search by state

<http://golfingnear.com>

Email search by domain

<http://emailbydomain.com>

Auto manuals search

<http://auto.somanuals.com>

TV manuals search

<http://tv.somanuals.com>