

SG2-DRT-3X Installation Sheet 494828-001

This Installation Sheet describes the procedure for installing the SG2-DRT-3X in the SG2440 or SG2000 node.

The Motorola® Digital Return Transmitter (SG2-DRT-3X) converts three independent 5 to 42 MHz analog RF return-path signals into one digital optical signal within the SG2000 and SG2440 nodes. This digital optical signal, with 10-bit resolution and 3.1 Gbps rate, is suitable for optical transmission to the GX2-DRR-3X Digital Return Receiver (DRR) where the original analog return-path signals are recreated.

The transmitter is factory-configured with either a dense wave division multiplexing (DWDM) laser on the International Telecommunications Union (ITU) grid or a coarse wave division multiplexing (CWDM) laser that is applicable to the required link. Motorola provides standard models that are identified in the subsection SG2-DRT-3X Models at the end of this document. The specific wavelengths are stamped on the label of each transmitter.

An Automatic Power Control (APC) system regulates the optical output power from the laser. The unit provides automatic gain control (AGC) and requires no adjustment. The SG2-DRT-3X features alarm LEDs to report local status information.

To facilitate easy upgrades, the SG2-DRT-3X has the same set-up levels as the analog return transmitters. The double-wide module occupies the same locations as the two analog transmitters in the node lid. The SG2-DRT-3X generates its own 5 V power and works with a single SG2-PS2 or SG2-PS power supply.

Related Documentation

In addition to this Installation Sheet, the *SG2440 Telecommunications Optical Node Installation and Operation Manual* and the *SG2000 Telecommunications Optical Node Installation and Operation Manual* are required to install the SG2-DRT-3X. If you do not have these documents, you can obtain them at the Motorola Web site.

Document Conventions

Before you begin using this Installation Sheet, familiarize yourself with the stylistic conventions used in this document:

SMALL CAPS Denotes silk-screening on the equipment, typically representing input/output (I/O) and power supply connections

***** (asterisk) Indicates that several versions of the same model number exist and the information applies to all models; when the information applies to a specific model, the complete model number is given

Before You Begin

Before you install the SG2-DRT-3X, verify that you have received the SG2-DRT-3X-CH*Kit, part number 498284-TAB.

Figure 1 illustrates a block diagram of the SG2-DRT-3X:

Figure 1
SG2-DRT-3X block diagram

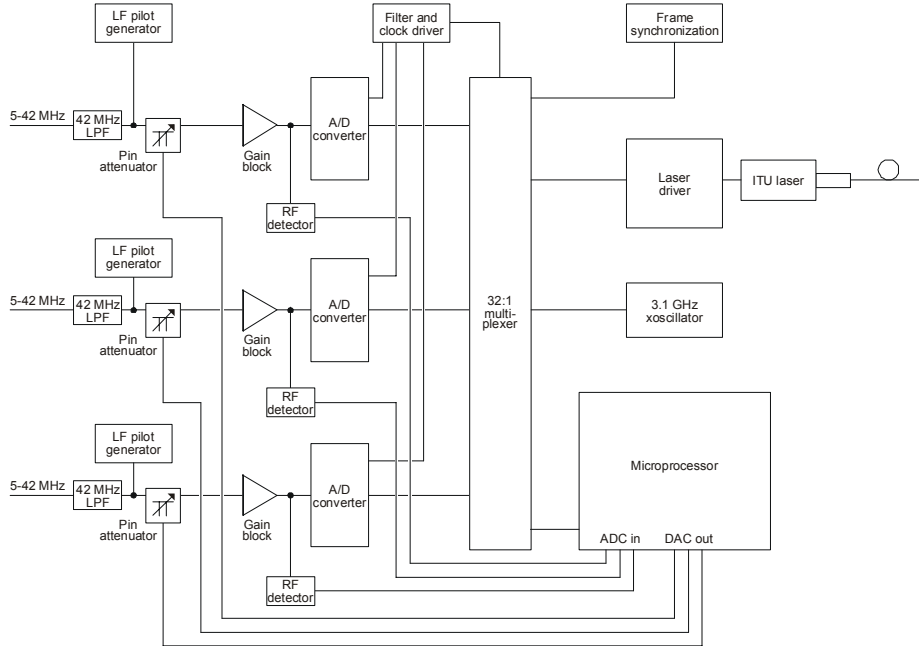


Figure 2 illustrates the SG2-DRT-3X:

Figure 2
SG2-DRT-3X transmitter

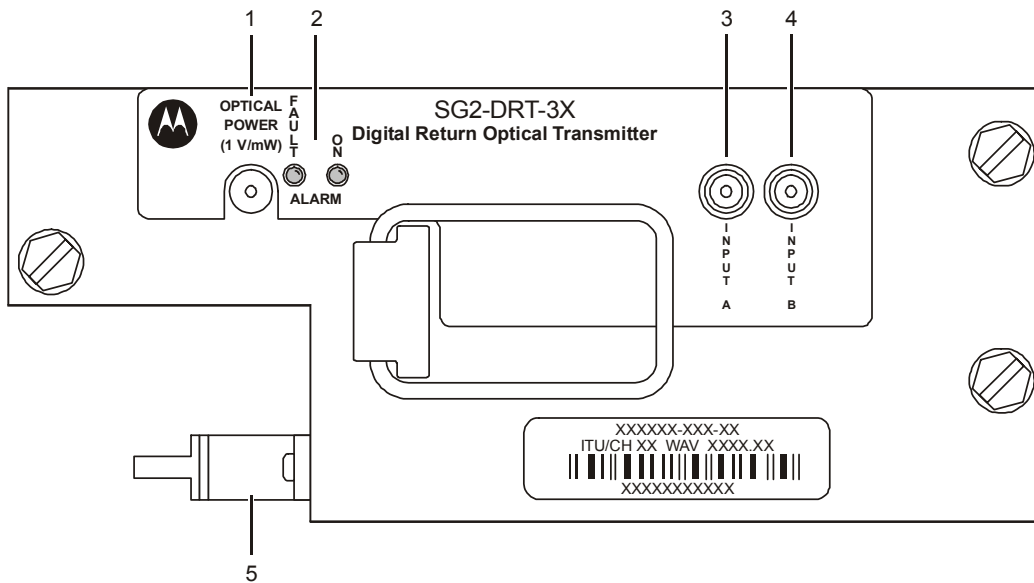

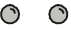





Table 1 provides information on the user-related features of the SG2-DRT-3X:

Key	Feature	Description
1	OPTICAL POWER (1 V/mW) 	This test point enables monitoring of the optical output level of the module. The nominal scale factor is 1.0 V/mW (6.3 V equates to 8 dBm). <i>The optical power test point does not track changes in optical power due to the laser tracking error.</i>
2	F A U L T O N  ALARM	A red (FAULT) LED indicates that the laser output power is below normal limits. A green LED (ON) indicates the transmitter is enabled. Because the laser output requires a short period of time to stabilize, it is normal for neither LED to illuminate for approximately 10 seconds. <i>The module must be enabled for the fault indicator to function.</i>
3	 I N P U T A	This MCX connector provides the SG2-DRT-3X with channel A RF input through a cable connection to the node lid board in an SG2440 or the E-pack in an SG2000.
4	 I N P U T B	This MCX connector provides the SG2-DRT-3X with channel B RF input through a cable connection to the node lid board in an SG2440 or the E-pack in an SG2000. Channel C RF input is provided by direct connection of the node lid board with the D-type connector on the bottom of the SG2-DRT-3X.
5		This SC/APC type connector provides optical output from the SG2-DRT-3X.

Installing the SG2-DRT-3X in the SG2440 Node

The SG2440 carries each RF return path individually to the lid board and no adjustments to the electronics package (E-pack) are necessary.

Before you install the SG2-DRT-3X in the SG2440, you must configure the node with the SG2440 DR-3X board. In this configuration, the RF return signals from RP1 and RP3 are combined and placed onto the D-subconnector beneath the double-wide transmitter module. The RF return signals from RP2 are routed to the MCX connector DRT1. The RF return signals from RP4 are routed to the MCX connector DRT2. RF cables are used to route the signal from DRT1 and DRT2 to the top of the transmitter to RF INPUT A and RF INPUT B respectively.

If different combining scenarios are required, you may reconfigure the RF RP cables on the lid board.

Figure 3 illustrates a block diagram of the SG2440-DR-3X return configuration:

Figure 3
SG2440-DR-3X return configuration

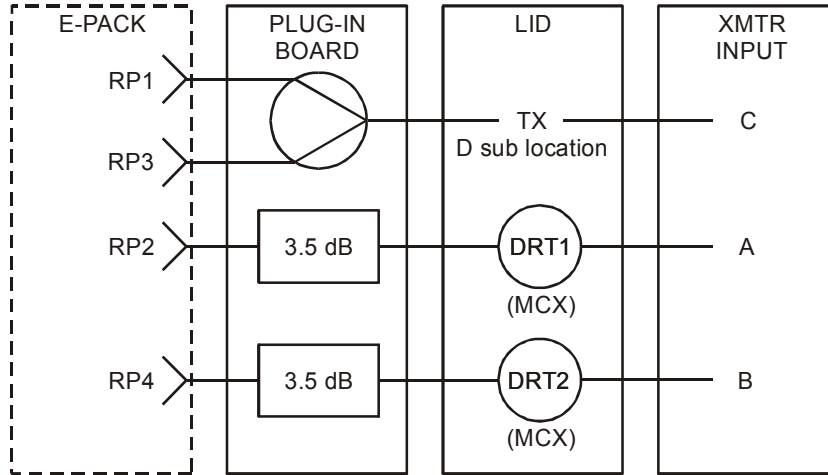
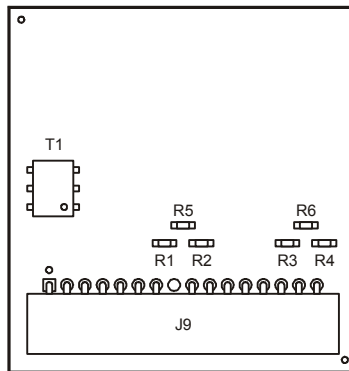


Figure 4 illustrates the SG2440-DR-3X return board:

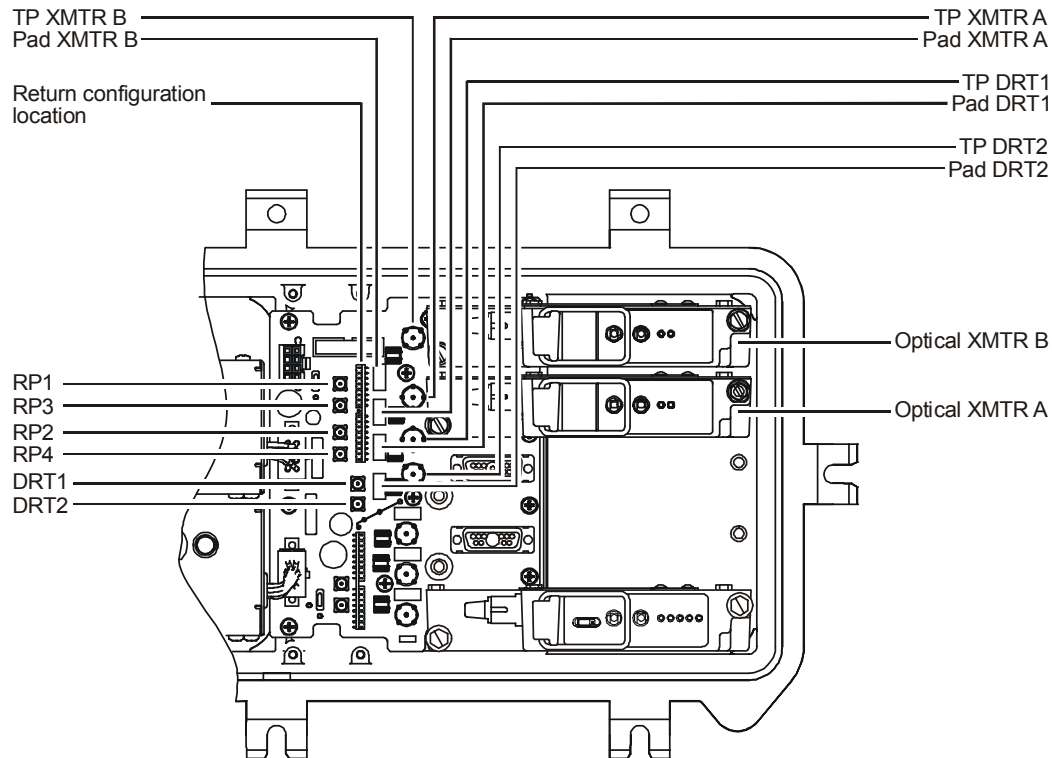
Figure 4
SG2440-DR-3X return board



To install the SG2-DRT-3X in the SG2440 node:

- 1 If present, remove any analog transmitter that occupies the optical XMTR B or A positions, as illustrated in Figure 5, and then install the double-wide SG2-DRT-3X:

Figure 5
SG2440 lid



- 2 Replace the XMTR B 15 dB pad with a 5 dB pad.
- 3 Install the SG2-DRT-3X board in the return configuration location on the lid board as illustrated in Figure 5.
- 4 Ensure that the PIC cable is properly connected to the lid and E-pack connectors.
- 5 Install the two RF cables from DRT MCX 1 and DRT MCX 2 to RF INPUT A and RF INPUT B respectively on top of the SG2-DRT-3X.
- 6 Confirm that the green LED (ON), located on the top panel of the SG2-DRT-3X, is illuminated to confirm enable status. A delay of approximately 10 seconds before illumination is normal.
- 7 Review return-path system levels:

Each input of the SG2-DRT-3X is configured to drive the laser to the recommended level of +15 dBmV.

Use TP DRT1 and TP DRT2 (Figure 5) to monitor the levels of the segmented ports. Pad DRT1 and pad DRT2 are used to adjust the level into the transmitter.

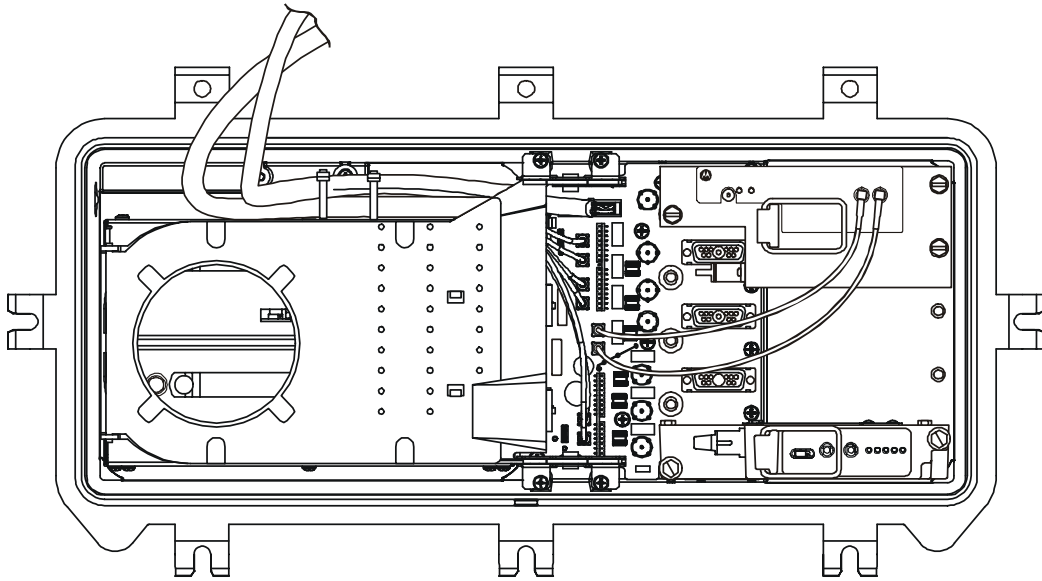
Use TP XMTR B to monitor the levels of the two combined ports. Pad XMTR B is used to adjust the level into the transmitter.

TP XMTR A and Pad XMTR A are not used, therefore, it is not necessary to pad the XMTR A location as no signal is present.

- 8 Close the housing and use a torque wrench to progressively tighten the housing bolts to a final torque of 12 ft-lbs. in the sequence stamped on the housing lid.

Figure 6 illustrates a properly installed and cabled SG2-DRT-3X:

Figure 6
SG2-DRT-3X installed in SG2440



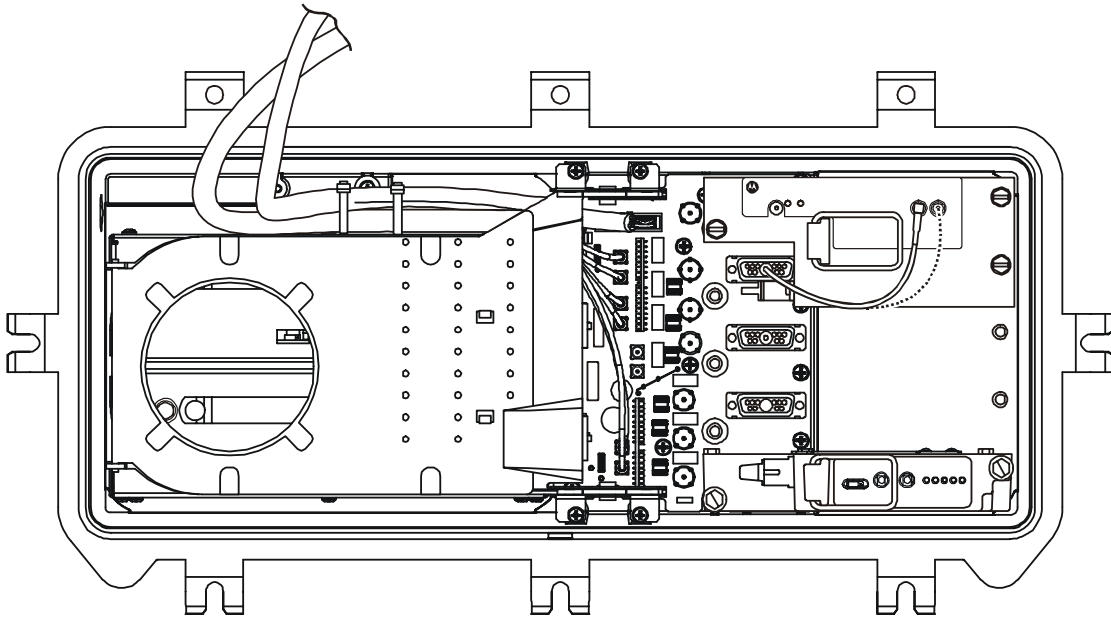
Installing the SG2-DRT-3X in the SG2440 Node in a 1X or 2X Configuration

The SG2-DRT-3X transmitter can operate with three data streams. If you install the SG2-DRT-3X in an SG2440 that will remain a combined (1X) or split (2X) return, an additional cable is provided to properly load the transmitter.

To properly cable the SG2-DRT-3X for a combined or split return:

- 1 Verify that the SG2440 return configuration plug-in board is either a redundant (1X) or a split (2X) model.
- 2 Insert the provided cable from the redundant transmitters' D-subconnector into RF INPUT A or INPUT B on the SG2-DRT-3X as illustrated in Figure 7:

Figure 7
SG2-DRT-3X cabling for combined configuration



- 3 Change the 15 dB JXP pad at the XMTR A location to a 5 dB JXP.

Installing the SG2-DRT-3X in the SG2000 Node

You can equip the SG2000 with a combined or a split-return path module and still be compatible with the SG2-DRT-3X.

On SG2000 nodes equipped with an SG2-RPM/C, you can select any two RF ports for segmentation. The two remaining ports will automatically be combined and put on the D subconnector beneath the double-wide transmitter.

On SG2000 nodes equipped with an SG2-RPM/S only, you can segment RF ports 1 and 3. Ports 2 and 4 are combined and are automatically put on the D subconnector.

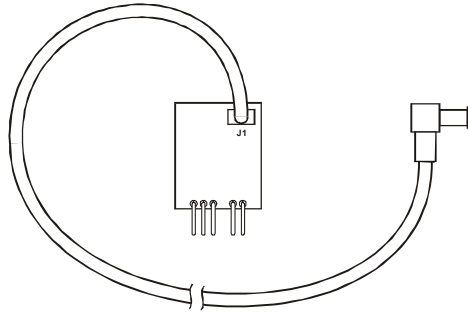
The segmented inputs occupy the ICS plug-in location. If equipped, ICS functionality will be lost on these two ports.

When the node is equipped with a transponder for status monitoring, Port 1 cannot be segmented as the ICS location is before the transponder output.

To use the SG2-DRT-3X, the SG2000 must be equipped with the ICS plug-in board. The circuitry on this assembly contains 9 dB of attenuation to ensure proper levels into the transmitter input.

Figure 8 illustrates the ICS board:

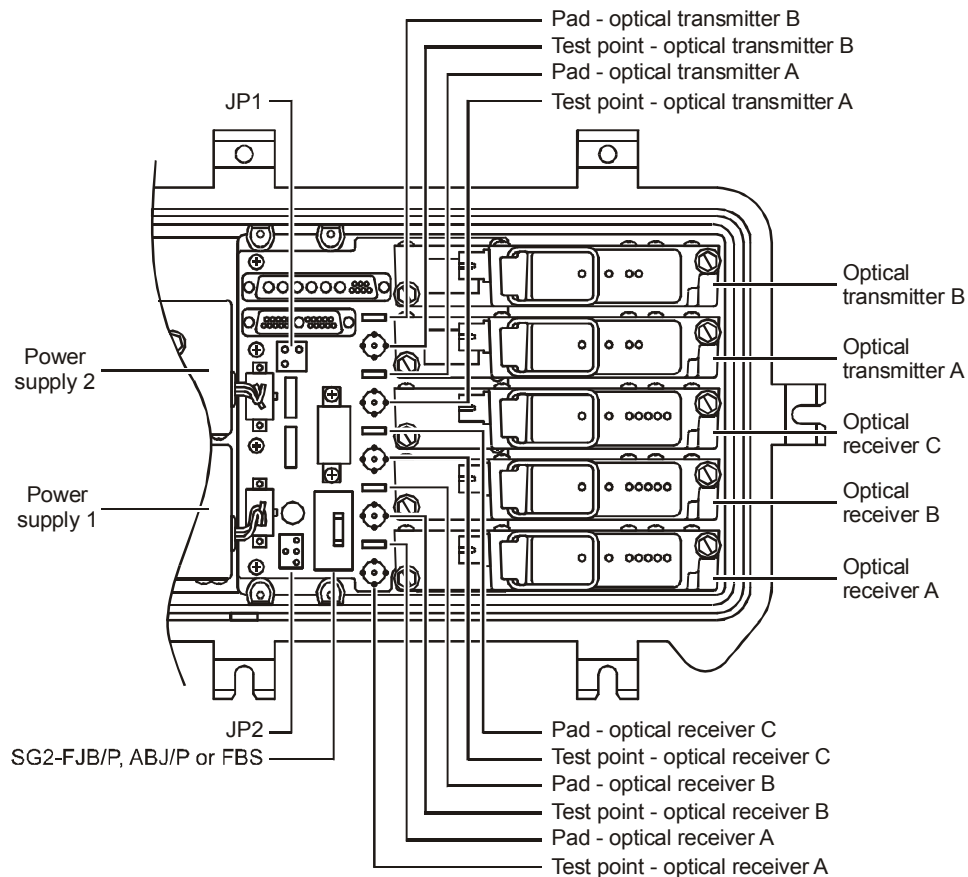
Figure 8
SG2 ICS board



To install the SG2-DRT-3X in the SG2000 node:

- 1 If present, remove any analog transmitter that occupies the optical transmitter B or A positions as illustrated in Figure 9, and then install the double-wide SG2-DRT-3X:

Figure 9
SG2000 optical transmitter B and A locations

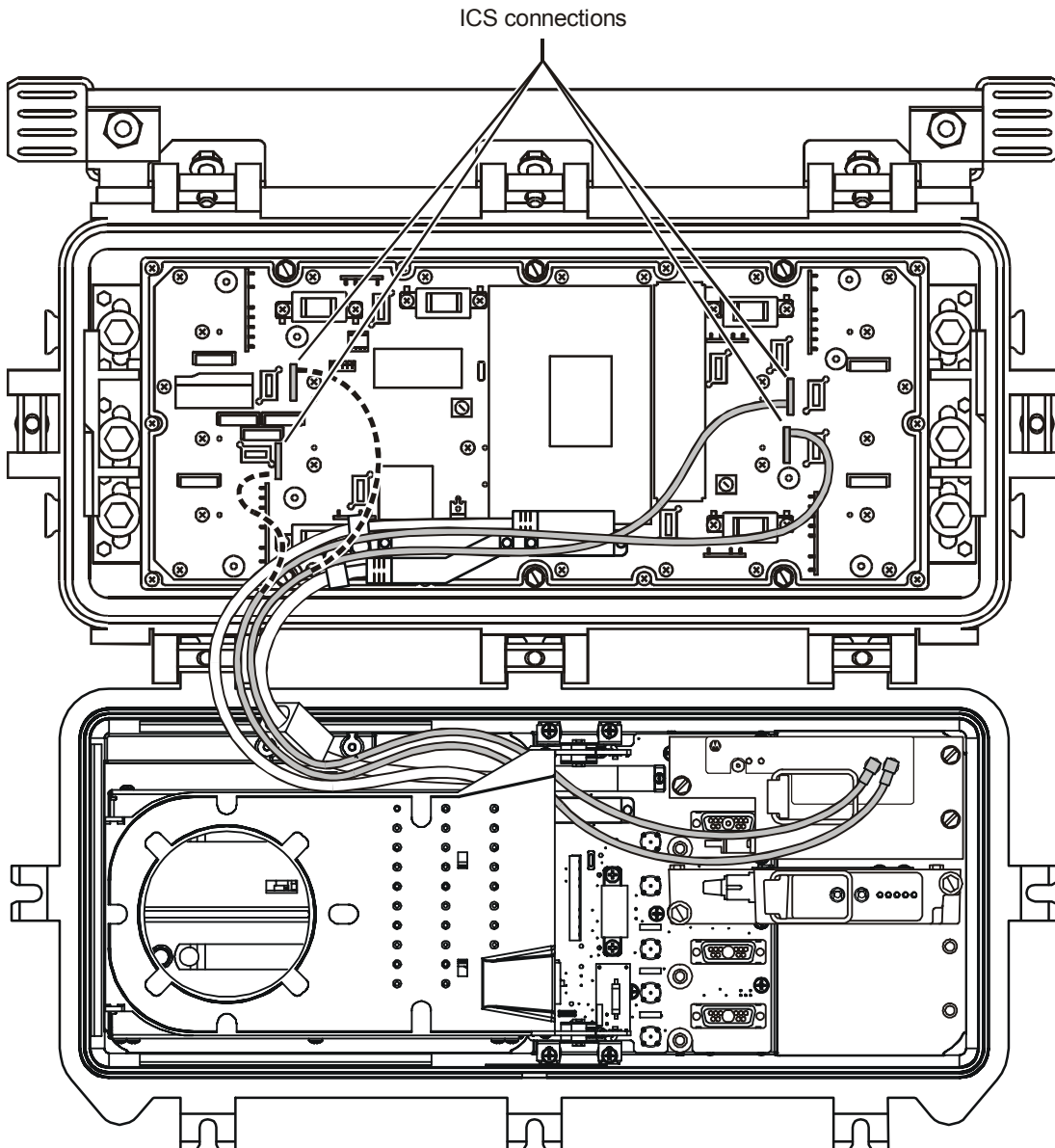


- 2 Verify that the XMTR B 15 dB pad has been replaced with a 5 dB pad.
- 3 Remove all cable clamps and then remove the E-pack cover to identify the two RF ports that you want to segment.
- 4 Remove the pad located in the ICS locations (illustrated in Figure 10) for the selected RF ports.

If there was a JXP pad in the ICS location, transfer that value to the JXP location before the ICS input.

Figure 10 illustrates the SG2000 equipped with an SG2-RPM/C, the E-pack cover removed, the ICS locations, proper cable routing and installed SG2-DRT-3X:

Figure 10
SG2-DRT-3X installed in SG2000



- 5 Install an SG2-DR-3X input board in each selected ICS location. The ICS locations on the left are for ports 1 and 3 and the locations on the right are for ports 2 and 4.
- 6 Nest the attached cables between the components on the E-pack and toward the PIC cable and status monitoring cable (optional).
- 7 Position the cover on the E-pack and route the cables through the bottom opening following the PIC cable.

- 8 Continue to route the two cables alongside the PIC and under the fiber tray in the SG2000 lid as illustrated in Figure 10.
- 9 Attach DR MCX 1 connector to RF INPUT A and DR MCX 2 connector to RF INPUT B on top of the SG2-DRT-3X (Figure 10).
- 10 Use tie straps to loosely secure the two cables to the PIC cable as an assist in cable management.
- 11 Confirm that the green LED (ON), located on the top panel of the SG2-DRT-3X is illuminated to confirm enable status. A delay of approximately ten seconds before illumination is normal.
- 12 Review return-path system levels:

Each input of the SG2-DRT-3X is configured to drive the laser to the recommended level of +15 dBmV. If available, use a test adapter cable to measure levels directly at the SG2 ICS board assembly.

Use TP XMTR B to monitor the levels of the two combined ports. Pad XMTR B is used to adjust the level into the XMTR.

Use the JXP TP return-path locations on the E-pack for the two ports that have been segmented.
- 13 Install a JXP-15 in the optical transmitter A pad location, illustrated in Figure 9.
- 14 Replace the E-pack cover, taking care not to pinch any cables.
- 15 Close the housing and use a torque wrench to progressively tighten the housing bolts to a final torque of 12 ft-lbs. in the sequence stamped on the housing lid.

Installing the SG2-DRT-3X in the SG2000 Node in a 1X or 2X Configuration

The SG2-DRT-3X transmitter can operate with three data streams. If you install the SG2-DRT-3X in an SG2000 that will remain combined (1X) or split (2X) return, an additional cable is provided to properly load the transmitter.

To properly cable the SG2-DRT-3X for a combined or split return:

- 1 Verify that the return path module is either an RPM/C combined (1X) or an RPM/S split (2X) model.
- 2 Insert the provided cable from the redundant transmitters' D-subconnector into RF INPUT A or INPUT B on the SG2-DRT-3X.
- 3 Change the 15 dB JXP pad at the XMTR A location to a 5 dB JXP.

Specifications

Specifications are valid over the given bandpass and operating temperature range of -40°F to $+140^{\circ}\text{F}$ (-40°C to $+60^{\circ}\text{C}$). Specifications are stated typical unless otherwise noted, and are subject to change. Refer to the Motorola BCS Web site or contact your account representative for the latest specifications.

Parameter	Specification
Wavelengths	See following table
RF bandwidth	5 MHz to 42 MHz
Number of input channels	3
Input level	15 dBmV total power per channel
Input impedance	75 ohms
Input return loss	>16 dB
Output power	
DWDM	8 dBm (4.0 mW)
CWDM	3 dBm (2.0 mW)
Noise Power Ratio (dB over dynamic range)	40/11 dB
Power input	+24 Vdc
Power consumption	0.6 amps worst case
Operating temperature range	-40°C to $+85^{\circ}\text{C}$
Storage temperature range	-40°C to $+85^{\circ}\text{C}$
Dimensions	3.5" (H) \times 2" (W) \times 6" (D)
Weight	1.8 lbs

SG2-DRT-3X DWDM Models

Model	ITU Frequency (THz)	Wavelength (nm)	Model	ITU Frequency (THz)	Wavelength (nm)
SG2-DRT-3X-CH20	192.000	1561.42	SG2-DRT-3X-CH32	193.200	1551.72
SG2-DRT-3X-CH21	192.100	1560.61	SG2-DRT-3X-CH33	193.300	1550.92
SG2-DRT-3X-CH22	192.200	1559.79	SG2-DRT-3X-CH34	193.400	1550.12
SG2-DRT-3X-CH23	192.300	1558.98	SG2-DRT-3X-CH35	193.500	1549.32
SG2-DRT-3X-CH24	192.400	1558.17	SG2-DRT-3X-CH45	194.500	1541.35
SG2-DRT-3X-CH25	192.500	1557.36	SG2-DRT-3X-CH47	194.700	1539.77
SG2-DRT-3X-CH26	192.600	1556.56	SG2-DRT-3X-CH49	194.900	1538.19
SG2-DRT-3X-CH27	192.700	1555.75	SG2-DRT-3X-CH51	195.100	1536.61
SG2-DRT-3X-CH28	192.800	1554.94	SG2-DRT-3X-CH53	195.300	1535.04
SG2-DRT-3X-CH29	192.900	1554.13	SG2-DRT-3X-CH55	195.500	1533.47
SG2-DRT-3X-CH30	193.000	1553.33	SG2-DRT-3X-CH57	195.700	1531.90
SG2-DRT-3X-CH31	193.100	1552.52	SG2-DRT-3X-CH59	195.900	1530.33

SG2-DRT-3X CWDM Models

Model	Description
SG2-DRT-3X-1310	3X TDM CWDM TX, 1310 nm, DFB, SC/APC
SG2-DRT-3X-1470c	3X TDM CWDM TX, 1470 nm, DFB, SC/APC
SG2-DRT-3X-1490c	3X TDM CWDM TX, 1490 nm, DFB, SC/APC
SG2-DRT-3X-1510c	3X TDM CWDM TX, 1510 nm, DFB, SC/APC
SG2-DRT-3X-1530c	3X TDM CWDM TX, 1530 nm, DFB, SC/APC
SG2-DRT-3X-1550c	3X TDM CWDM TX, 1550 nm, DFB, SC/APC
SG2-DRT-3X-1570c	3X TDM CWDM TX, 1570 nm, DFB, SC/APC
SG2-DRT-3X-1590c	3X TDM CWDM TX, 1590 nm, DFB, SC/APC
SG2-DRT-3X-1610c	3X TDM CWDM TX, 1610 nm, DFB, SC/APC

If You Need Help

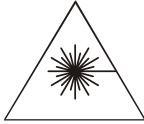
If you need assistance while working with the SG2-DRT-3X, call the Motorola Technical Response Center (TRC):

- Inside the U.S.: **1-888-944-HELP (1-888-944-4357)**.
- Outside the U.S.: **215-323-0044**
- Online: <http://broadband.motorola.com/noflash/websupport.html>.

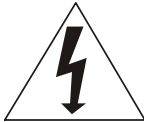
The TRC is open from 8:00 AM to 2:00 AM Eastern Time, Monday through Friday and 10:00 AM to 5:00 PM Eastern Time, Saturday. When the TRC is closed, emergency service *only* is available on a call-back basis. Web Support offers a searchable solutions database, technical documentation, and low priority issue creation/tracking 24 hours per day, 7 days per week.



This is a class 1 product that contains a class IIIb laser and is intended for operation in a closed environment with fiber attached. Do not look into the optical connector of the transmitter with power applied. Laser output is invisible, and eye damage can result. Do not defeat safety features that prevent looking into optical connector.



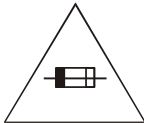
This product contains a class IIIb laser and is intended for operation in a closed environment with fiber attached. Do not look into the optical connector of the transmitter with power applied. Laser output is invisible, and eye damage can result. Do not defeat safety features that prevent looking into optical connector.



This symbol indicates that dangerous voltage levels are present within the equipment. These voltages are not insulated and may be of sufficient strength to cause serious bodily injury when touched. The symbol may also appear on schematics.



The exclamation point, within an equilateral triangle, is intended to alert the user to the presence of important installation, servicing, and operating instructions in the documents accompanying the equipment.



For continued protection against fire, replace all fuses only with fuses having the same electrical ratings marked at the location of the fuse.



Electrostatic discharge (ESD) can damage the MPS unit and circuit card assemblies. Wear an antistatic wrist strap attached to a chassis ground to prevent ESD damage.

FCC Compliance

This equipment has been tested and found to comply with the limits for a Class B digital device, pursuant to Part 15 of the FCC Rules. These limits are designed to provide reasonable protection against harmful interference when the equipment is operated in a residential environment. This equipment generates, uses, and can radiate radio frequency energy and, if not installed and used in accordance with the instructions, may cause harmful interference to radio communications. However, there is no guarantee that interference will not occur in a particular installation. If this equipment does cause harmful interference to radio or television reception, which can be determined by turning the equipment off and on, the user is encouraged to try to correct the interference by one of the following measures:

- Re-orient or relocate the receiving antenna
- Increase the separation between the equipment and receiver
- Connect the equipment into an outlet on a circuit different from that to which the receiver is connected.
- Consult the dealer or an experienced radio/TV technician for help.

Changes or modification not expressly approved by the party responsible for compliance could void the user's authority to operate the equipment.

Canadian Compliance

This Class B digital apparatus meets all requirements of the Canadian Interference-Causing Equipment Regulations. Cet appareil numérique de la classe B est conforme à la norme NMB-003 du Canada.

FCC Declaration of Conformity

According to 47 CFR, Parts 2 and 15 for Class B Personal Computers and Peripherals; and/or CPU Boards and Power Supplies used with Class B Personal Computers, Motorola, Inc., 6450 Sequence Drive, San Diego, CA 92121, 1-800-225-9446 or 101 Tournament Drive, Horsham, PA 19044, 1-800-xxx-xxxx, declares under sole responsibility that the product identifies with 47 CFR Part 2 and 15 of the FCC Rules as a Class B digital device. Each product marketed is identical to the representative unit tested and founded to be compliant with the standards. Records maintained continue to reflect the equipment being produced can be expected to be within the variation accepted, due to quantity production and testing on a statistical basis as required by 47 CFR 2.909. Operation is subject to the following condition: This device must accept any interference received, including interference that may cause undesired operation. The above named party is responsible for ensuring that the equipment complies with the standards of 47 CFR, Paragraphs 15.107 to 15.109

International Declaration of Conformity						
We	Motorola, Inc. 101 Tournament Drive Horsham, PA 19044, U.S.A.					
declare under our sole responsibility that the	STARLINE® Model SG2-DRT-3X					
to which this declaration relates is in conformity with one or more of the following standards:						
EMC Standards	EN55022	EN55024	EN55013	EN50083-2	CISPR-22	CISPR-24 CISPR-13
Safety Standards	EN60065	EN60825	EN50083-1	EN60950	IEC 60950 + A1: 1992 + A2: 1993 + A3: 1995 + A4: 1996	
	IEC60065					
following the provisions of the Directive(s) of the Council of the European Union:						
	EMC Directive	Directive 93/68/EEC	Low Voltage Directive 73/23/EEC			
89/336/EEC						

Copyright © 2003 by Motorola, Inc.

All rights reserved. No part of this publication may be reproduced in any form or by any means or used to make any derivative work (such as translation, transformation or adaptation) without written permission from Motorola, Inc.

Motorola reserves the right to revise this publication and to make changes in content from time to time without obligation on the part of Motorola to provide notification of such revision or change. Motorola provides this guide without warranty of any kind, either implied or expressed, including, but not limited to, the implied warranties of merchantability and fitness for a particular purpose. Motorola may make improvements or changes in the product(s) described in this manual at any time.

MOTOROLA, the Stylized M Logo and STARLINE are registered in the US Patent & Trademark Office. All other product or service names are the property of their respective owners. © Motorola, Inc. 2003.

494828-001	All rights reserved.
5/03	No part of the contents of this manual may be reproduced or transmitted in any form or by any means without the written permission of the publisher.

MGBI



Free Manuals Download Website

<http://myh66.com>

<http://usermanuals.us>

<http://www.somanuals.com>

<http://www.4manuals.cc>

<http://www.manual-lib.com>

<http://www.404manual.com>

<http://www.luxmanual.com>

<http://aubethermostatmanual.com>

Golf course search by state

<http://golfingnear.com>

Email search by domain

<http://emailbydomain.com>

Auto manuals search

<http://auto.somanuals.com>

TV manuals search

<http://tv.somanuals.com>