

Cuisinart®

INSTRUCTION BOOKLET



Belgian Waffle Maker - 2 Slice

WMB-2A

For your safety and continued enjoyment of this product, always read the instruction book carefully before using.

Download from www.Somanuals.com. All Manuals Search And Download.

TABLE OF CONTENTS

Important Safeguards	Page 2
Instructions for Use	Page 3
Special Features	Page 3
Tips & Toppings	Page 4
Recipes	Page 4
Cleaning and Maintenance	Page 7
Storage	Page 7
Warranty	Page 7

IMPORTANT SAFEGUARDS

When using an electrical appliance, basic safety precautions should always be followed, including the following:

- 1. READ ALL INSTRUCTIONS.**
2. Do not touch hot surfaces. Use handles and knobs.
3. To protect against fire, electrical shock, and injury to persons, **DO NOT IMMERSER CORD, PLUG, OR UNIT** in water or other liquids.
4. Close supervision is necessary when any appliance is used by or near children.
5. Unplug from outlet when not in use and before cleaning. Allow to cool before putting on or taking off parts, and before cleaning appliance.
6. Do not operate any appliance with a damaged cord or plug or after the appliance malfunctions or has been damaged in any manner. Return appliance to the nearest Cuisinart Authorized Service Facility for examination, repair, or adjustment.
7. The use of accessory attachments not recommended by Cuisinart may result in fire, electrical shock, or injury to persons.
8. Do not use outdoors.
9. Do not let power cord hang over edge of table or counter, or touch hot surfaces.
10. Do not place on or near a hot gas or electric burner, or in a heated oven.
11. Unplug the unit when finished baking waffles.
12. Do not use appliance for other than intended use.

13. Extreme caution must be used when moving an appliance containing hot oil or other hot liquids.
14. Always attach plug to appliance first, then plug cord into the wall outlet. To disconnect, turn control to setting #1, then remove plug from wall outlet.
15. **WARNING: TO REDUCE THE RISK OF FIRE OR ELECTRIC SHOCK, REPAIR SHOULD BE DONE ONLY BY AUTHORIZED PERSONNEL. DO NOT REMOVE THE BASE PANEL. NO USER SERVICEABLE PARTS ARE INSIDE.**

SAVE THESE INSTRUCTIONS FOR HOUSEHOLD USE ONLY

SPECIAL CORD SET INSTRUCTIONS

A short power-supply cord is provided to reduce the risks resulting from becoming entangled in or tripping over a longer cord.

Longer extension cords are available and may be used if care is exercised in their use.

If a long extension cord is used, the marked electrical rating of the extension cord should be at least as great as the electrical rating of the appliance, and the longer cord should be arranged so that it will not drape over the countertop or tabletop where it can be pulled on by children or animals, or tripped over.

NOTICE:

This appliance has a polarized plug (one blade is wider than the other). To reduce the risk of electric shock, this plug will fit in a polarized outlet only one way. If the plug does not fit fully in the outlet, reverse the plug. If it still does not fit, contact a qualified electrician. Do not modify the plug in any way.

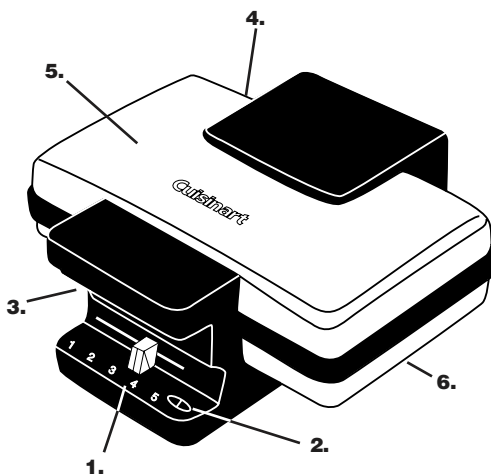
INSTRUCTIONS FOR USE

1. Before using your Cuisinart® Belgian Waffle Maker for the first time, remove any dust from shipping by wiping the plates with a damp cloth. Remove all protective paper and wrapping.
2. Preheat the waffle maker. Close grids and plug cord into a 120V AC wall outlet. The red light will go on to signal power. Allow the waffle maker to preheat. The green indicator light will go on when unit is ready to use.

Note: The first time you use your waffle maker, it may have a slight odor and may smoke a bit. This is normal, and common to appliances with a nonstick surface.

3. Pour batter according to recipes provided, when the green indicator light goes on. Pour batter evenly in the center of the lower waffle grids. Use a heat-proof spatula to spread the batter evenly over the grid. Close the lid.
4. The green light will go off and the red light will once again illuminate. It may take several seconds for the red light to come on. This is normal.
5. Once the waffles are ready to eat, the green light will again come on. Baking time is determined by browning level. Choose a setting on the browning control dial. For golden brown waffles, we recommend using setting #3 or #4.
6. Once the waffle is ready, remove it by gently loosening the edges with a heat-proof plastic spatula. Never use metal utensils, as they may damage the nonstick coating.
7. Always disconnect the plug from the wall outlet once baking is completed.

SPECIAL FEATURES



1. **Browning Control Adjustment**
- five settings to customize waffles from light to deep golden brown
2. **Indicator Lights**
- signal when waffle maker is ready to bake
- signal when waffles are ready to eat
3. **Lockdown Lid**
- lid will not rise as waffles bake
4. **Rubber Feet**
- will not mark countertop
- keep unit steady
5. **Brushed Stainless Steel Housing**
6. **Cord Storage**
- cord wraps under bottom for easy storage

Note: This Cuisinart® Belgian Waffle Maker has been treated with a special nonstick coating. Before the first use, we suggest you season the grids with cooking spray or oil. If using oil, apply with a paper towel or pastry brush. You may find it helpful to repeat this process before each use of the waffle maker.

TIPS FOR MAKING PERFECT WAFFLES

We recommend setting #3 when using commercial pancake/waffle mixes.

We recommend setting #3 for most homemade (from scratch) waffle recipes.

If you prefer crisper, darker waffles, increase the browning control. For lighter waffles, decrease the browning control.

For evenly filled waffles, pour the batter into the center of the lower grid and spread out evenly to the edges. The entire lower grid should be filled.

For best results, we recommend using 3/4 cup batter to fill the entire lower grid.

Waffles taste best when made to order, but baked waffles may be kept warm in a 200° F oven. Place in a baking pan or wrap in foil while in the oven. Waffles wrapped in foil may lose their crispiness.

Baked waffles may be frozen. Allow to cool completely, then place in plastic food storage bag. Use waxed paper to keep waffles separated. Reheat in a Cuisinart® toaster or toaster oven when ready to use.

SUGGESTED TOPPINGS

Maple syrup, fruit syrups

Warm fruit compote, fruit sauce

Fresh berries, chopped fruit, chopped nuts

Powdered sugar

Whipped cream, ice cream, sorbet

Chocolate sauce

Fruited yogurt

RECIPES

BASIC BELGIAN WAFFLES

You can't beat the taste of homemade waffles. Freeze the extras to use when time is scarce.

Makes twelve 4-inch waffles

- 2 cups all-purpose flour
- 2 tablespoons sugar
- 1 tablespoon baking powder
- 1/2 teaspoon salt
- 2-1/4 cups reduced fat milk
- 6 tablespoons vegetable oil
- 2 large eggs

Place ingredients in a large mixing bowl and combine until well blended and smooth. Let batter sit 5 minutes before using. Preheat your Cuisinart® Belgian Waffle Maker on setting #4 * (green indicator light will be illuminated when preheated).

Pour 3/4 cup batter onto preheated waffle maker grid. Using a heat-proof plastic spatula, spread batter until evenly distributed. Allow batter to bubble for 5 - 10 seconds, then close cover of waffle maker. Indicator light will turn red. When light turns green again, waffle is ready. Open cover and carefully remove baked waffle. Repeat with remaining batter. For best results, serve immediately. However, you may keep waffles warm in a 200°F oven until ready to serve.

* We recommend using setting #3 to achieve a golden brown baked waffle. Adjust the browning control if you prefer lighter or darker waffles.

Nutritional information per serving:

*Calories 180 (44% from fat) • carb. 20g • pro. 5g
• fat 9g • sat. fat 1g • chol. 39mg • sod. 189mg
• calc. 63mg • fiber 1g*

For Blueberry Waffles:

Sprinkle each waffle with 1 tablespoon fresh or frozen (no need to thaw) blueberries.

For Chocolate Chip Waffles:

Sprinkle each waffle with 2 teaspoons mini chocolate morsels before baking.

CORNMEAL WAFFLES

These waffles taste like cornbread. Drizzle with butter and serve with soup, chili or stew. Also good for brunch or a late night snack served with syrup or cheese sauce.

Makes twelve 4-inch waffles

- 1-1/4 cups all-purpose flour
- 1 cup yellow cornmeal
- 2 tablespoons sugar
- 2-1/2 teaspoons baking powder
- 1/2 teaspoon baking soda
- 3/4 teaspoon salt
- 2 cups reduced fat milk
- 6 tablespoons vegetable oil
- 2 large eggs

Place ingredients in a large mixing bowl and combine until well blended and smooth. Let batter sit 5 minutes before using. Preheat your Cuisinart® Belgian Waffle Maker on setting #4 * (green indicator light will be illuminated when preheated).

Pour 3/4 cup batter onto preheated waffle maker grid. Using a heat-proof plastic spatula, spread batter until evenly distributed. Allow batter to bubble for 5 - 10 seconds, then close cover of waffle maker. Indicator light will turn red. When light turns green again, waffle is ready. Open cover and carefully remove baked waffle. Repeat with remaining batter. For best results, serve immediately. However, you may keep waffles warm in a 200°F oven until ready to serve.

* We recommend using setting #3 to achieve a golden brown baked waffle. Adjust the browning control if you prefer lighter or darker waffles.

Nutritional information per serving:

Calories 190 (41% from fat) • carb. 24g • pro. 5g
• fat 9g • sat. fat 1g • chol. 38mg • sod. 272mg
• calc. 56mg • fiber 1g

WHOLE WHEAT - PECAN WAFFLES

Wholesome wheat flavor combined with crunchy pecans makes a delicious breakfast, brunch or snack. Top with warm fruit compote or syrup.

Makes twelve 4-inch waffles

- 1-1/2 cups all-purpose flour
- 2/3 cup whole wheat flour
- 2 tablespoons sugar
- 1 tablespoon baking powder
- 1/2 teaspoon salt
- 2-1/2 cups reduced fat milk
- 6 tablespoons vegetable oil
- 2 large eggs
- 2/3 cup finely chopped pecans or walnuts

Place first 8 ingredients (not nuts) in a large mixing bowl and combine until well blended and smooth. Add nuts and stir until combined. Let batter sit 5 minutes before using. Preheat your Cuisinart® Belgian Waffle Maker on setting #4 *(green indicator light will be illuminated when preheated).

Pour 3/4 cup batter onto preheated waffle maker grid. Using a heat-proof plastic spatula, spread batter until evenly distributed. Allow batter to bubble for 5 - 10 seconds, then close cover of waffle maker. Indicator light will turn red. When light turns green again, waffle is ready. Open cover and carefully remove baked waffle. Repeat with remaining batter. For best results, serve immediately. However, you may keep waffles warm in a 200°F oven until ready to serve.

* We recommend using setting #3 to achieve a golden brown baked waffle. Adjust the browning control if you prefer lighter or darker waffles.

Nutritional information per serving:

Calories 209 (50% from fat) • carb. 21g • pro. 5g
• fat 12g • sat. fat 1g • chol. 4mg • sod. 182mg
• calc. 83mg • fiber 1g

DOUBLE CHOCOLATE WAFFLES

Chocolate for breakfast? Why not? You could also try these as a delightful ending to brunch or as a dessert, topped with your favorite ice cream and sauce.

Makes twelve 4-inch waffles

- 1-3/4 cups all-purpose flour
- 3/4 cup granulated sugar
- 1/2 cup cocoa, preferably Dutch process
- 1 tablespoon baking powder
- 1/2 teaspoon salt
- 1/2 teaspoon cinnamon
- 2 cups reduced fat milk
- 6 tablespoons vegetable oil
- 2 large eggs
- 1 teaspoon vanilla extract
- 1/2 cup semi-sweet mini chocolate morsels

Place all the ingredients except the chocolate morsels in a large mixing bowl and combine until well blended and smooth. Let batter sit 5 minutes before using. Preheat your Cuisinart® Belgian Waffle Maker on setting #4 *(green indicator light will be illuminated when preheated).

Pour 3/4 cup batter onto preheated waffle maker grid. Using a heat-proof spatula, spread batter until evenly distributed. Sprinkle 2 teaspoons of the mini chocolate morsels evenly over each waffle. Allow batter to bubble for 5–10 seconds, then close cover of waffle maker. Indicator light will turn red. When light turns green again, waffle is ready. Repeat with remaining batter. For best results, serve immediately. However, you may keep waffles warm in a 200° F oven until ready to serve.

* We recommend using setting #3 to achieve a crispy brown baked waffle. Adjust the browning control if you prefer softer or crispier waffles.

Nutritional analysis per serving:

Calories 265 (39% from fat) • carb. 37g • pro. 5g
• fat 12g • sat. fat 3g • chol. 38mg • sod. 187mg
• calc. 62mg • fiber 3g

BANANA CHIP WAFFLES

Kids and adults love chocolate for breakfast! Sprinkle with powdered sugar for breakfast or top with a scoop of ice cream for an afternoon snack.

Makes ten 4-inch waffles

- 2 cups all-purpose flour
- 2 tablespoons sugar
- 1 tablespoon baking powder
- 1/2 teaspoon salt
- 2-1/4 cups reduced fat milk
- 1/2 cup mashed banana (1 medium banana)
- 6 tablespoons vegetable oil
- 2 large eggs
- 5 tablespoons mini chocolate chips

Place first 8 ingredients (not mini chips) in a large mixing bowl and combine until well blended and smooth. Let batter sit 5 minutes before using. Preheat your Cuisinart® Belgian Waffle Maker on setting #4 *(green indicator light will be illuminated when preheated).

Pour 3/4 cup batter onto preheated waffle maker grid. Using a heat-proof plastic spatula, spread batter until evenly distributed. Sprinkle 1 tablespoon of mini chips over batter. Allow batter to bubble for 5 - 10 seconds, then close cover of waffle maker. Indicator light will turn red. When light turns green again, waffle is ready. Open cover and carefully remove baked waffle. Repeat with remaining batter. For best results, serve immediately. However, you may keep waffles warm in a 200°F oven until ready to serve.

* We recommend using setting #3 to achieve a golden brown baked waffle. Adjust the browning control if you prefer lighter or darker waffles.

Nutritional information per serving:

Calories 238 (43% from fat) • carb. 29g • pro. 5g
• fat 11g • sat. fat 3g • chol. 39mg • sod. 189mg
• calc. 64mg • fiber 2g

For Banana Nut Waffles:

Omit mini chocolate morsels. Add 1/2 cup chopped nuts (walnuts, pecans, almonds) to batter before baking.

CLEANING AND MAINTENANCE

Once you have finished baking, remove plug from electrical outlet. Leave top lid open so grids begin to cool.

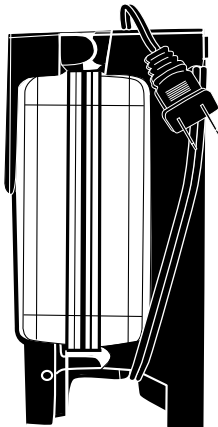
Never take your waffle maker apart for cleaning. Simply brush crumbs from grooves, and absorb any excess cooking oil by wiping with a dry cloth or paper towel.

You may clean the grids by wiping with a damp cloth, to prevent staining and sticking from batter or oil buildup. **Be certain grids have cooled completely before cleaning.** If batter adheres to plates, simply pour a little cooking oil onto the baked batter and let stand approximately 5 minutes, thus allowing batter to soften for easy removal.

To clean exterior, wipe with a soft dry cloth. Never use an abrasive cleanser or harsh pad. **NEVER IMMERSE CORD, PLUG OR UNIT IN WATER OR OTHER LIQUID.**

STORAGE

Store with cord wrapped securely around base. For compact storage, stand waffle maker upright on opening end with Cuisinart logo facing you. The waffle maker has been designed with a special latching feature so lid stays closed during storage.



WARRANTY

Limited Three-Year Warranty

This warranty is available to consumers only. You are a consumer if you own a Cuisinart® Belgian Waffle Maker which was purchased at retail for personal, family or household use. Except as otherwise required under applicable law, this warranty is not available to retailers or other commercial purchasers or owners.

We warrant that your Cuisinart® Belgian Waffle Maker will be free of defects in materials and workmanship under normal home use for 3 years from the date of original purchase.

We suggest you complete and return the enclosed warranty registration card promptly to facilitate verification of the date of original purchase. However, return of the card is not a condition of this warranty and does not eliminate the need for the consumer to maintain the original proof of purchase. In the event that you do not have proof of purchase date, the purchase date for purposes of this warranty will be the date of manufacture.

If your Cuisinart® Belgian Waffle Maker should prove to be defective within the warranty period, we will repair (or, if we think necessary, replace) it without charge to you. To obtain warranty service, please call our Customer Service Center toll-free at 1-800-726-0190 or write to: Cuisinart, 150 Milford Road, East Windsor, NJ 08520.

To facilitate the speed and accuracy of your return, enclose \$10.00 for shipping and handling. (California residents need only supply a proof of purchase and should call 1-800-726-0190 for shipping instructions.) Please be sure to include your return address, description of the product's defect, product serial number, and any other information pertinent to the return. Please pay by check or money order.

Your Cuisinart® Belgian Waffle Maker has been manufactured to the strictest specifications and has been designed for use only with authorized accessories and replacement parts. This warranty expressly excludes any defects or damages caused by accessories, replacement parts or repair service other than those authorized by Cuisinart.

This warranty does not cover any damage caused by accident, misuse, shipment or other than ordinary household use.

This warranty excludes all incidental or consequential damages. Some states do not allow the exclusion or limitation of these damages, so they may not apply to you.

Cuisinart

S A V O R T H E G O O D L I F E™



Coffeemakers



Food Processors



Toaster Ovens



Blenders



Cookware



Ice Cream Makers

Cuisinart offers an extensive assortment of top quality products to make life in the kitchen easier than ever. Try some of our other countertop appliances and cookware, and Savor the Good Life™.

www.cuisinart.com

©2002 Cuisinart
Cuisinart® is a registered
trademark of Cuisinart

150 Milford Road
East Windsor, NJ 08520
Printed in China

02CU13088

IB-4005A

Free Manuals Download Website

<http://myh66.com>

<http://usermanuals.us>

<http://www.somanuals.com>

<http://www.4manuals.cc>

<http://www.manual-lib.com>

<http://www.404manual.com>

<http://www.luxmanual.com>

<http://aubethermostatmanual.com>

Golf course search by state

<http://golfingnear.com>

Email search by domain

<http://emailbydomain.com>

Auto manuals search

<http://auto.somanuals.com>

TV manuals search

<http://tv.somanuals.com>