
	<p><b>CAUTION</b></p> <p><b>RISK OF ELECTRIC SHOCK</b> DO NOT OPEN</p>	
<p>The lightning flash with arrowhead symbol, with an equilateral triangle is intended to alert the user of the presence of uninsulated dangerous voltage within the product's enclosure that may be of sufficient magnitude to constitute a risk of electric shock to persons.</p>	<p>CAUTION: TO REDUCE THE RISK OF ELECTRIC SHOCK, DO NOT REMOVE COVER (OR BACK). NO USER SERVICEABLE PARTS INSIDE. REFER SERVICING TO QUALIFIED SERVICE PERSONNEL.</p>	<p>The exclamation point within an equilateral triangle is intended to alert the user of presence of important operating and maintenance (servicing) instructions in the literature accompanying the appliance.</p>

**CAUTION :** TO PREVENT ELECTRIC SHOCK, MATCH WIDE BLADE OF PLUG TO WIDE SLOT, FULLY INSERT.

**WARNING:** TO REDUCE THE RISK OF FIRE OR ELECTRIC SHOCK, DO NOT EXPOSE THE APPLIANCE TO RAIN OR MOISTURE.

## SAFETY INSTRUCTIONS

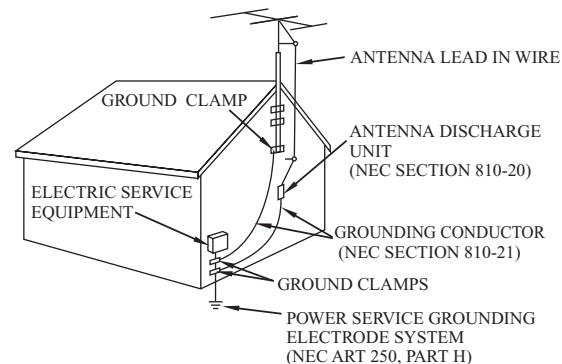
THESE IMPORTANT SAFETY INSTRUCTIONS ARE INCLUDED, AS APPLICABLE TO THE APPLIANCE, CONVEYING TO THE USER THE INFORMATION ITEMIZED BELOW

- Read instructions - All the safety and operating instructions should be read before the appliance is operated.
- Retain instructions - The safety and operating instructions should be retained for future reference.
- Head Warnings - All warnings and cautions on the appliance and in the operating instructions should be adhered to.
- Follow instructions - All operating and use instructions should be followed.
- Water and Moisture - The appliance should not be used near water, e.g. near a bathtub, washbowl, kitchen sink, laundry tub, in a wet basement, or near a swimming pool or the lake.
- Wall or Ceiling Mounting - The appliance should not be mounted to a wall or ceiling.
- Ventilation - The appliance should be situated so that its location or position does not interfere with its proper ventilation. For example, the appliance should not be situated on a bed, sofa, rug or similar surface that may block the ventilation openings, or placed in a built-in installation, such as a bookcase or cabinet, that may impede the flow of air through the ventilation openings.
- Heat - The appliance should be situated away from heat sources such as radiators, heat registers, stoves, or other appliances (including amplifiers) that produce heat..
- Power Sources - The product should be operated only with the type of power supply indicated on the marking label. If you are not sure of the type of power supply to your home, consult your product dealer or local power company. For products intended to operate from battery power, or other sources, refer to the operation instructions.
- Grounding Polarization - This product may be equipped with a polarized alternating current line plug (a plug having one blade wider than the other). This plug will fit into the power outlet only one way this is a safety feature. If you are unable to insert the plug fully into the outlet, try reversing the plug. If the plug should still fail to fit, contact your electrician to replace your obsolete outlet. Do not defeat the safety purpose of the polarized plug.

- Power-Cord Protection - Power supply cords should be routed so that they are not likely to be walked on or pinched by items placed upon or against them, paying particular attention to cords at plugs, convenience receptacles, and the point where they exit from the appliance.
- Cleaning - Unplug this product from the wall outlet before cleaning. Do not use liquid cleaners or aerosol cleaners. Use a damp cloth for cleaning.
- Nonuse periods - The power cord of the appliance should be unplugged from the outlet when left unused for a long period of time.
- Object and Liquid Entry - Care should be taken so that objects do not fall and liquids are not spilled into the product case through product openings.
- Damage Requiring Service - Unplug this product from the wall outlet and take it to qualified service personnel under the following conditions.
  - When the power-supply cord or plug is damaged.
  - If liquid has been spilled into, or objects have fallen into the product.
  - If the product has been exposed to rain or water.
  - If the product does not operate when used according to the operating instructions. Adjust only those controls that are covered by the operating instructions as an improper adjustment of other controls may interfere with the product's normal operation.
  - If the product has been dropped or damaged in any way.
  - When the product exhibits a distinct change in performance- this indicates a need for service.
- Service - The user should not attempt to service the product beyond that described in the operating instruction. All servicing should be referred to qualified service personnel.
- Power Lines - An outside antenna system should not be located in the vicinity of overhead power lines, or other electric light or power circuits, or where it can fall into such power lines or circuits. When installing an outside antenna system, extreme care should be taken to keep from touching power lines or circuits as contact with them might be fatal.
- Outdoor Antenna Grounding - If an outside antenna is connected to the receiver, be sure the antenna system is grounded so as to provide some protection against voltage surges and built up static. Section 810 of the National Electrical Code ANSI/NEFA 70 provides information with respect to proper grounding of the mast and supporting structure, grounding conductors, location of antenna-discharge unit, size of grounding electrodes, and requirements for the grounding electrode (see figure).
- Cleaning - Unplug this product from the wall outlet before cleaning. Do not use liquid cleaners or aerosol cleaners. Use a damp cloth for cleaning.
- Lightning - For added protection for this product during a lightning storm, or when it is left unattended and unused for long periods of time, unplug it from the wall outlet and disconnect the antenna or cable system. This will prevent damage to the product due to lightning and power-line surges.
- Safety Check - Upon completion of any service or repairs to this product, ask the service technician to perform safety checks to determine that the product is in proper operation condition.
- Overloading - Do not overload wall outlets, extension cords, or integral convenience receptacles as this can result in a risk of fire or electric shock.
- The apparatus shall not be exposed to dripped or splashing and that no objects filled with liquids, such as vases, shall be placed on apparatus.
- To be completely disconnected the power input, the mains plug of apparatus shall be disconnected from the mains." As the disconnect devices is the mains plug of apparatus.
- The mains plug of apparatus should not be obstructed OR should be easily accessed during intended use.
- Excessive sound pressure from earphones and headphones can cause hearing loss.

- Battery shall not be exposed to excessive heat such as sunshine, fire or the like.
- Minimum distances 10 cm around the apparatus for sufficient ventilations.
- The ventilation should not be impeded by covering the ventilation openings with items such as newspaper , table-cloths, curtains etc.
- No naked flame sources such as lighted candles should be placed on the apparatus.
- Attention should be drawn to the environment aspects of battery disposal.
- The use of apparatus in moderate climates.

### EXAMPLE OF ANTENNA GROUNDING AS PER NATIONAL ELECTRICAL CODE



### NEC NATIONAL ELECTRICAL CODE

Do not apply oil or petroleum products to this product.

### CAUTION

Invisible laser radiation will be emitted when the product is open and interlocks are defeated. Do not defeat the safety interlocks.

GRAPHIC SYMBOLS WITH SUPPLEMENTARY MARKINGS ARE LOCATED ON THE BOTTOM OF THE UNIT.

USE OF CONTROLS, ADJUSTMENTS, OR PERFORMANCE PROCEDURE HEREIN MAY RESULT IN HAZARDOUS RADIATION EXPOSURE.

### LASER SAFETY

THIS SET EMPLOYS AN OPTICAL LASER BEAM SYSTEM IN THE CD MECHANISM DESIGNED WITH BUILT-IN SAFEGUARDS. DO NOT ATTEMPT TO DISASSEMBLE. EXPOSURE TO THIS INVISIBLE LASER LIGHT BEAM MAY BE HARMFUL TO THE HUMAN EYES. THIS IS A CLASS-I LASER PRODUCT. USE OF CONTROLS, ADJUSTMENTS OR PROCEDURES OTHER THAN THOSE SPECIFIED HEREIN, MAY RESULT IN HAZARDOUS LASER LIGHT BEAM EXPOSURE. THIS COMPACT DISC PLAYER SHOULD NOT BE ADJUSTED OR REPAIRED BY ANYONE EXCEPT QUALIFIED SERVICE PERSONNEL. THE LASER MECHANISM IN THE SET CORRESPONDS TO THE STYUS (NEEDLE) OF A RECORD PLAYER. ALTHOUGH THIS PRODUCT USES A LASER PICK-UP LENS, IT IS COMPLETELY SAFE WHEN OPERATED ACCORDING TO DIRECTIONS.



## PROGRAMMABLE COMPACT DISC PLAYER WITH AM/FM STEREO ALARM CLOCK RADIO

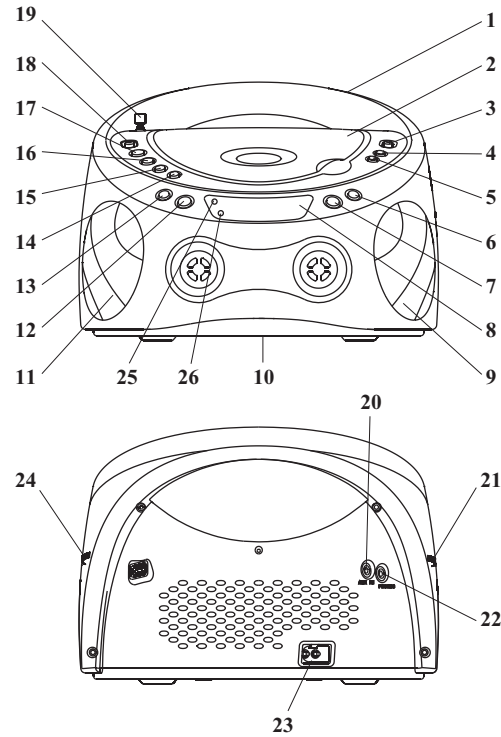
MODEL RCD122UK



- 20-TRACK PROGRAMMABLE CD PLAYER
- LCD CLOCK
- AM/FM STEREO RADIO
- AC/DC OPERATED
- STEREO HEADPHONE JACK
- AUX-IN JACK



**BEFORE OPERATING THIS PRODUCT, READ, UNDERSTAND, AND FOLLOW THESE INSTRUCTIONS.**  
Be sure to save this booklet for future reference.

**LOCATION OF CONTROLS**

1. CARRYING HANDLE
2. CD DOOR
3. BAND SWITCH (AM/ FM MO./ FM ST.)
4. CD PROGRAMMABLE BUTTON
5. CD REPEAT BUTTON
6. CD STOP BUTTON
7. CD PLAY/PAUSE BUTTON
8. LCD DISPLAY
9. RIGHT SPEAKER
10. BATTERY COMPARTMENT
11. LEFT SPEAKER
12. CD FAST FORWARD BUTTON (F.FWD)
13. CD REWIND BUTTON (REW)
14. CD RANDOM BUTTON
15. MINUTES SETTING BUTTON
16. HOUR SETTING BUTTON
17. TIME SET BUTTON
18. FUNCTION SWITCH (OFF/ RADIO/ AUX/ CD)
19. FM ANTENNA
20. AUX-IN JACK
21. VOLUME KNOB
22. EARPHONE JACK
23. AC SOCKET
24. TUNING KNOB
25. POWER INDICATOR
26. FM STEREO INDICATOR

**POWER SUPPLY****Operate by DC**

Whenever convenient, use the power supply if you want to conserve battery life. Make sure you remove the plug from the set and wall outlet before inserting batteries.

Batteries (not included)

Open the battery compartment and insert eight batteries, type R-14, UM-2 or C-cells, (preferably Alkaline) with the correct polarity as indicated by the "+" and "-" symbols inside the compartment.

Batteries contain chemical substances, so they should be disposed of properly.

Incorrect use of batteries can cause electrolyte leakage and will corrode the compartment or cause the batteries to burst. Therefore:

- Do not mix battery types: e.g. alkaline with carbon zinc. Only use batteries of the same type for the set.
- When inserting new batteries, do not try to mix old batteries with the new ones.
- Remove the batteries if the set is not to be used for a long time.

**Unit power supply (mains AC 230V/50Hz)**

1. Check if the power voltage, as shown on the type plate located on the bottom of the set, corresponds to your local AC power supply. If it does not, consult your dealer or service center.
  2. Connect the power cord to the AC MAINS inlet and the wall outlet. The power supply is now connected and ready for use.
  3. To switch off completely, unplug the power cord from the wall outlet.
- Unplug the power cord from the wall outlet to protect your set during heavy thunderstorms.

**BATTERY SAFETY PRECAUTIONS**

- Keep batteries away from children and pets.
- Insert the battery observing the proper polarity (+/-). Failure to properly align the battery polarity can cause personal injury and/or property damage.
- Remove spent or discharged batteries from the product. Remove the battery when the product will not be used for extended periods of time to prevent damage due to rusted or corroded batteries.
- Never throw batteries into a fire, Do not expose batteries to fire or other heat sources.
- Battery Disposal: Spent or discharged batteries must be properly disposed of and recycled in compliance with all applicable laws. For detailed information, contact your local country solid waste authority
- Follow the battery manufacturer's safety, usage, and disposal instructions.

**Note:**

Check your batteries regularly. Old or discharged batteries should be replaced. If the unit is not to be used for sometime or is being run exclusively on AC electrical current, remove batteries from the battery compartment to avoid leakage.

**TO SET THE CLOCK TIME**

Make sure that it is in "Power off" mode.

While pressing and holding the TIME.SET BUTTON, press the HOUR BUTTON to set desired hour.

While Pressing and holding the TIME.SET BUTTON, press the MINUTE BUTTON to set desired minute.

**RADIO OPERATION**

1. Select the Function Switch (OFF/AUX/RADIO/CD) to RADIO position.
2. Select the Band Switch (AM/FM/FM.ST) to AM, FM or FM ST.
3. Rotate the Tuning Control Knob to the desired radio station  
**Note:** For better AM reception, rotate the radio to better position the built-in directional antenna.  
**Note:** The STEREO Indicator will light when a program is received in FM Stereo. If the FM reception is noisy, switch the band selector to the FM position and the program will be received in Mono radio.
4. Rotate the Volume Control Knob to a comfortable listening level.
5. To switch off the radio, select the Function Switch (OFF/AUX/RADIO/CD) to OFF position.

**CONDENSATION**

If cold water is poured into a glass, water droplets on the outside of the glass. This is called condensation. Condensation may also occur on internal operating parts of the laser pickup.

Condensation occurs:

- When the unit is brought from the outdoors into a warm room, or if it is in a cold room which is heated quickly.
- In the summer, if the unit is moved suddenly from an air-conditioned room or car to a hot or humid location.
- Should condensation occur, the product may not operate properly. When the product is exposed to temperature extremes, wait for 1-2 hours (to allow the internal parts to adjust to the surrounding temperature) before use.

**HANDING A COMPACT DISC**

Always protect a disc against scratches, soil, dust and etc. If a disc is treated with reasonable care, wiping off the disc with a soft cloth should be the only maintenance needed to retain its excellent sound reproduction. Discs should be retained in their original case during periods of non-use.

- Handle a disc only by its edges, Do not touch the surface or rainbow-colored side of the disc
- Handle a disc as shown in the illustrations in this section
- Use a soft cloth to wipe a disc clean. Do not use benzene, thinner, or other chemical cleaners to clean the disc as damage may result. A disc should always be wiped in a straight line from its center to its edge. Never wipe a disc in a circular motion.
- Do not expose a disc to direct sunlight, high humidity, or high temperatures for extended periods of time. Do not place the Disc on other equipment or near any heat source.
- Dust on the pickup lens can lead to erratic operation and interruption of the sound during play. To clean the pickup lens, open the disc compartment and blow the dust off. Using a camera lens blower (available at most camera stores)
- Note: Do not touch the surface of the lens. Do not allow any liquids on the inside of the product.
- To clean the CD player cabinet, use a soft and damp cloth to wipe off the exterior surface.
- Never use benzol, benzene, or other strong chemical cleaners, as these could damage the finish.

**PLAYING A COMPACT DISC (CD)**

**NOTE:** Never touch the laser lens inside of the CD compartment. Clean the laser lens with a CD cleaner disc if it becomes dirty.

1. Slide the Function Switch (OFF/AUX/RADIO/CD) to CD position.
2. Open the CD DOOR and insert a CD into the tray with printed label side facing up.
3. Close the CD DOOR and the disc will rotate for a few seconds and then stop.
4. Press the PLAY/PAUSE BUTTON to start play
5. Use the REW| & F.FWD button to choose a track
6. To pause playback press PLAY/PAUSE while playing.
7. Press the PLAY/PAUSE Button one more time to resume play.
8. Press the STOP BUTTON to STOP play.

**RANDOM PLAY**

In CD stop mode, Press the RANDOM BUTTON once, "RANDOM" will appear on LCD Display. Press PLAY/PAUSE BUTTON, this will enable random tracks play.

**REVERSE/FORWARD Skip & Search**

- The CD Rewind (REW) and CD Fast Forward (F.FWD) Buttons can be used to jump to a different track number or to scan disc tracks at high speed.
- Press the CD Rewind (REW) once to hear the beginning of the current track. Press it two (2) or more times to hear previous tracks on the disc.
- Press the CD Fast Forward Button (F.FWD) to hear the next track on the disc.
- Press and hold the CD Rewind (REW) Button, the current track will be scanned and move backwards to the previous track(s); When the desired track section is found, release the button and normal play will resume.
- Press and hold the CD Fast Forward Button (F.FWD) Button, the current track will be scanned and move forward to the next track(s); When the desired track section is found, release the selected button and normal play will resume.

**REPEAT FEATURE**

- The CD REPEAT Button may be used to repeat a single track or repeat all tracks on a compact disc.
- Press the REPEAT BUTTON while playing, the "REP" sign will shown on LCD Display. The same track will be repeated over and over.
- Press the REPEAT BUTTON a second time to repeat all tracks.
- To cancel REPEAT PLAY, Press the REPEAT BUTTON repeatedly until the "REP" sign disappeared.

**PROGRAM FEATURE**

The Program feature can be used to program up to 20 tracks to play in a selected order.

1. While in the stop mode only (CD is not playing), press the CD PROGRAM Button, LCD Display will show the wording "PROG 01" and "PROG 01" starts to flash.
2. Press the CD Rewind/ CD Fast Forward (REW or F.FWD) Buttons to locate the desired track.
3. Press the CD PROGRAM BUTTON to select and store the track into memory.
4. Repeat step 2 to 3 to select up to 20 tracks.
5. To play the selected tracks (in the program mode), press the CD PLAY/PAUSE BUTTON. The track number will appear on the LCD Display and the "PROG" appear on LCD Display.
6. To hear the previous or next program track, press the CD Rewind (REW) or CD Fast Forward (F.FWD) buttons, as appropriate.  
**Note:** After all of the programmed tracks have played, the CD player will return to the stop mode.
7. To clear the programmed tracks from memory, press STOP two times or open the CD door in STOP mode to clear the previous programmed tracks.

**HEADPHONE JACK**

Your radio is equipped with a HEADPHONE JACK for private listening. Simply plug any 3.5 mm plug type stereo headphone into the HEADPHONE JACK. With the headphone connected the speaker in the radio will be automatically disconnected.

**AUX INPUT JACK**

1. Slide the Function Switch (OFF/AUX/RADIO/CD) to AUX position.
2. Connect the AUX connect wire from the out jack of your Personal Player such as portable MP3 player to the AUX input jack (connect wire not include).
3. Play Start from your Personal Player.

## Free Manuals Download Website

<http://myh66.com>

<http://usermanuals.us>

<http://www.somanuals.com>

<http://www.4manuals.cc>

<http://www.manual-lib.com>

<http://www.404manual.com>

<http://www.luxmanual.com>

<http://aubethermostatmanual.com>

Golf course search by state

<http://golfingnear.com>

Email search by domain

<http://emailbydomain.com>

Auto manuals search

<http://auto.somanuals.com>

TV manuals search

<http://tv.somanuals.com>