

COMPACTPCI-824 FEP BLADE INTELLIGENT I/O CONTROLLER USER'S MANUAL

The information in this document has been carefully checked and is believed to be entirely reliable. However, no responsibility is assumed for inaccuracies. Furthermore, Cyclone Microsystems, Inc. reserves the right to make changes to any products herein to improve reliability, function, or design. Cyclone Microsystems, Inc. neither assumes any liability arising out of the application or use of any product or circuit described herein, nor does it convey any license under its right or the rights of others.

Revision 1.0, January 2006

Cyclone P/N 800-0824

Copyright 2005 by Cyclone Microsystems, Inc.

CHAPTER 1

1.1 INTRODUCTION 1-1

1.2 FEATURES 1-2

1.3 SPECIFICATIONS..... 1-3

1.4 ENVIRONMENTAL..... 1-3

1.5 REFERENCE MANUALS 1-5

1.6 SOFTWARE DEVELOPMENT 1-6

CHAPTER 2

2.1 AMCC POWERPC 440GX PROCESSOR 2-1

2.2 BYTE ORDERING 2-1

2.3 MEMORY MAP 2-2

2.4 DDR SDRAM INTERFACE 2-2

 2.4.1 Installation and Removal of Memory Modules..... 2-3

2.5 INTERRUPTS 2-3

 2.5.1 External Interrupts 2-4

2.6 CONSOLE SERIAL PORT 2-4

2.7 ETHERNET 2-5

 2.7.1 Gigabit Ethernet Port 2-5

 2.7.2 Gigabit Ethernet LEDs 2-6

 2.7.3 Fast Ethernet Port 2-6

 2.7.4 Fast Ethernet LEDs 2-6

2.8 PERIPHERAL BUS 2-7

 2.8.1 Flash ROM 2-7

 2.8.2 LEDs 2-7

 2.8.3 User LEDs During Initialization 2-7

 2.8.4 Geographic Addressing 2-8

 2.8.5 Power Supply Monitoring..... 2-9

2.9 FAN MONITORING 2-9

2.10 I²C BUS 2-9

 2.10.1 SDRAM EEPROM 2-10

 2.10.2 Temperature Sensors 2-10

 2.10.3 Serial EEPROM 2-10

 2.10.4 Phase Lock Loop Clock Driver 2-10

2.11 JTAG EMULATOR SUPPORT 2-10

APPENDIX A

A.1 INTRODUCTION A-1

A.2 PHYSICAL ATTRIBUTES A-1

A.3 PMC MODULE SIGNAL DEFINITIONS A-1

A.4 PMC MODULE CONNECTOR A-2

APPENDIX B

B.1 INTRODUCTION B-1

LIST OF FIGURES

Figure 1-1. CPCI-824 Block Diagram1-1
 Figure 1-2. CPCI-824 Physical Configuration1-4
 Figure 2-1. CPCI-824 Memory Map.....2-2
 Figure 2-2. LED Register Bitmap, E800 0001H2-7
 Figure 2-3. Geographic Addressing Register, B800 0001h2-8
 Figure 2-4. Power Supply Status Register, E000 0000H.....2-9

LIST OF TABLES

Table 1-1. CPCI-824 Power Requirements1-3
 Table 1-2. Environmental Specifications1-3
 Table 2-1. SDRAM Configurations2-3
 Table 2-2. External Interrupts2-4
 Table 2-3. Console Serial Port Connector2-5
 Table 2-4. Gigabit Port Connector2-5
 Table 2-5. 10/100 Fast Port Connector2-6
 Table 2-6. Breeze Start-up LEDs.....2-8
 Table 2-7. I²C Device Addresses2-10
 Table 2-8. JTAG Emulator Pin Assignment2-11
 Table A-1. PMC Clock & Arbitration Assignment A-2
 Table A-2. PMC Interrupt Assignment A-2
 Table A-3. P21 PMC Module Connector Pinout..... A-3
 Table A-4. P22 PMC Module Connector Pinout..... A-4
 Table A-5. P23 PMC Module Connector Pinout..... A-5
 Table B-1. CPCI-821 J2 Definition B-1

LIST OF FIGURES

Figure 1-1. CPCI-824 Block Diagram1-1
 Figure 1-2. CPCI-824 Physical Configuration1-4
 Figure 2-1. CPCI-824 Memory Map.....2-2
 Figure 2-2. LED Register Bitmap, E800 0001H2-7
 Figure 2-3. Geographic Addressing Register, B800 0001h2-8
 Figure 2-4. Power Supply Status Register, E000 0000H.....2-9

LIST OF TABLES

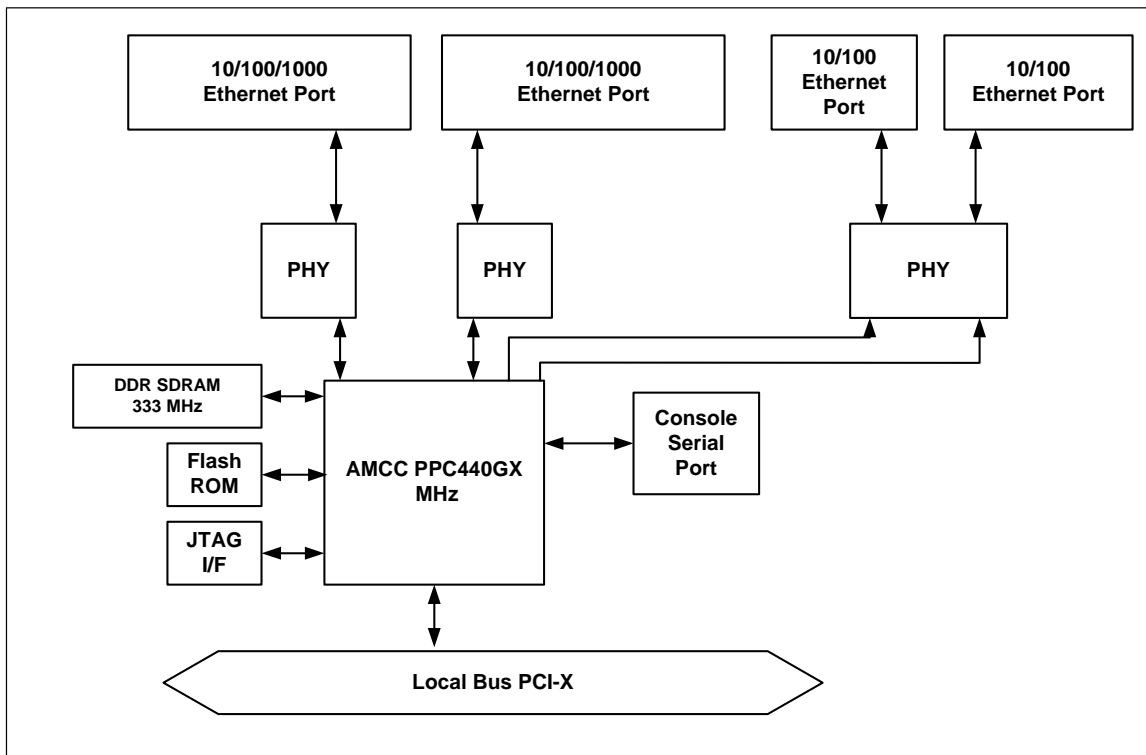
Table 1-1. CPCI-824 Power Requirements1-3
 Table 1-2. Environmental Specifications1-3
 Table 2-1. SDRAM Configurations2-3
 Table 2-2. External Interrupts2-4
 Table 2-3. Console Serial Port Connector2-5
 Table 2-4. Gigabit Port Connector2-5
 Table 2-5. 10/100 Fast Port Connector2-6
 Table 2-6. Breeze Start-up LEDs.....2-8
 Table 2-7. I²C Device Addresses2-10
 Table 2-8. JTAG Emulator Pin Assignment2-11
 Table A-1. PMC Clock & Arbitration Assignment A-2
 Table A-2. PMC Interrupt Assignment A-2
 Table A-3. P21 PMC Module Connector Pinout..... A-3
 Table A-4. P22 PMC Module Connector Pinout..... A-4
 Table A-5. P23 PMC Module Connector Pinout..... A-5
 Table B-1. CPCI-821 J2 Definition B-1

1.1 INTRODUCTION

The CompactPCI-824 is a Hot Swap Intelligent I/O Controller.

The CPCI-824 card is based on the AMCC™ PowerPC™ 440GX, which is AMCC's next generation integrated processor based on the PowerPCI 440 core operating at a frequency of 667 MHz. The 440GX supplies memory controller functions with up to 512 Mbytes of DDR SDRAM (64-bit with ECC) on an SoDIMM module at 333 MHz DDR. The PowerPC core with 256K L2 cache, the memory controller, the PCI-X Bridge, and the DMA controller of AMCC 440GX are among the features on the Processor local bus operating at 128-bit and a frequency of 166 MHz. The 440GX Peripheral Bus (EPC) has three devices; 8 Mbytes of Flash ROM, software LEDs, and external revision control registers. Additionally, the 440GX contains four Ethernet MACs. Four Ethernet ports are provided on the CPCI-824. Two are 10/100/1Gb ports configured as RGMII and two are 10/100 Mbps ports and reconfigured as SMII. The CPCI-824 also utilized one of the I2C bus interface units, and one of the two UART units. A block diagram of the CPCI-824 is shown on Figure 1-1.

Figure 1-1. CPCI-824 Block Diagram



1.2 FEATURES

- **PowerPC™ Processor** An AMCC 440GX embedded processor based on the AMCC PowerPC superscalar core. It operates at a maximum frequency of 667 MHz internally.
- **SDRAM** Up to 512 MByte of 333 MHz DDR SDRAM is supported via a 200 pin SoDIMM module.
- **Flash ROM** 8 Mbytes of in-circuit sector-programmable Flash ROM provides non-volatile storage on the CPCI-824. One 128 Kbyte sector of the Flash ROM is reserved for the storage of non-volatile boot and system parameters. System calls for storing parameters in this memory are included in the Breeze Development Environment^a
- **Console Serial Port** An asynchronous serial port based on a 16C750 UART with an RS-232 interface is provided for a console terminal or workstation connection.
- **Ethernet Ports** Two 10/100/1Gb Base-TX Ethernet ports are provided. Each port supports up to 1Gbps and uses a RJ45 style modular phone jack. The MAC contained within the 440GX interfaces with 2 Broadcom BMC5461S PHY transceivers.

Two 10/100 Base-TX Ethernet ports. Each supports up to 100 Mbps and also uses a RJ45 style modular phone jack. In this case the MAC contained within the 440GX interfaces with a Broadcom BCM5248. The BCM5248 is an eight port PHY, but we are only using the first 2 ports.
- **Temperature Sensors** Two LM75 type programmable temperature sensors with interrupt signaling capability are provided for system monitoring purposes.
- **I₂O Messaging** The CPCI-824 supports the I₂O specification for interprocessor communication.
- **DMA Controller** The 440GX supports 4 separate DMA channels for high throughput data transfers between PCI bus agents and the local SDRAM memory.
- **Breeze Development Environment™** Flash-resident ROM monitor / firmware package which supports board-level initialization and application software development. More information on the Breeze Development Environment™ can be found in Breeze Developer's Manual.
- **Blade Style Interface** The CPCI-824 receives power, fan detect, power supply status and geographic addressing from J1 and J2. Note that the fan detect and power supply status signals are only available when a CPCI-824 is installed in the system slot.
- **Hot Swap** The CPCI-824 is a Basic Hot Swap board, compliant with PICMG 2.1.

1.3 SPECIFICATIONS

Physical Characteristics The CPCI-824 is a single slot, double high *CompactPCI™* card with a peripheral slot interface. This product is equipped with an AMCC PowerPC 440GX microprocessor.

Height	9.187" (233.35mm)
Double Eurocard	(6U)
Depth	6.299" (160mm)
Width	.8" (20.32mm)

Power Requirements The CPCI-824 requires +5V, +12V, -12V and +3.3V from the *CompactPCI™* backplane J1 connector. The card is Universal and support either +3.3V or +5V V(I/O).

Table 1-1. CPCI-824 Power Requirements

Voltage	Current Typical	Current Maximum
+3.3V	3.49 Amps	4.99 Amps
+5V	0.03 Amps	0.04 Amps
+12V	0.01 Amps	0.02 Amps
-12V	0.02 Amps	0.03 Amps

1.4 ENVIRONMENTAL

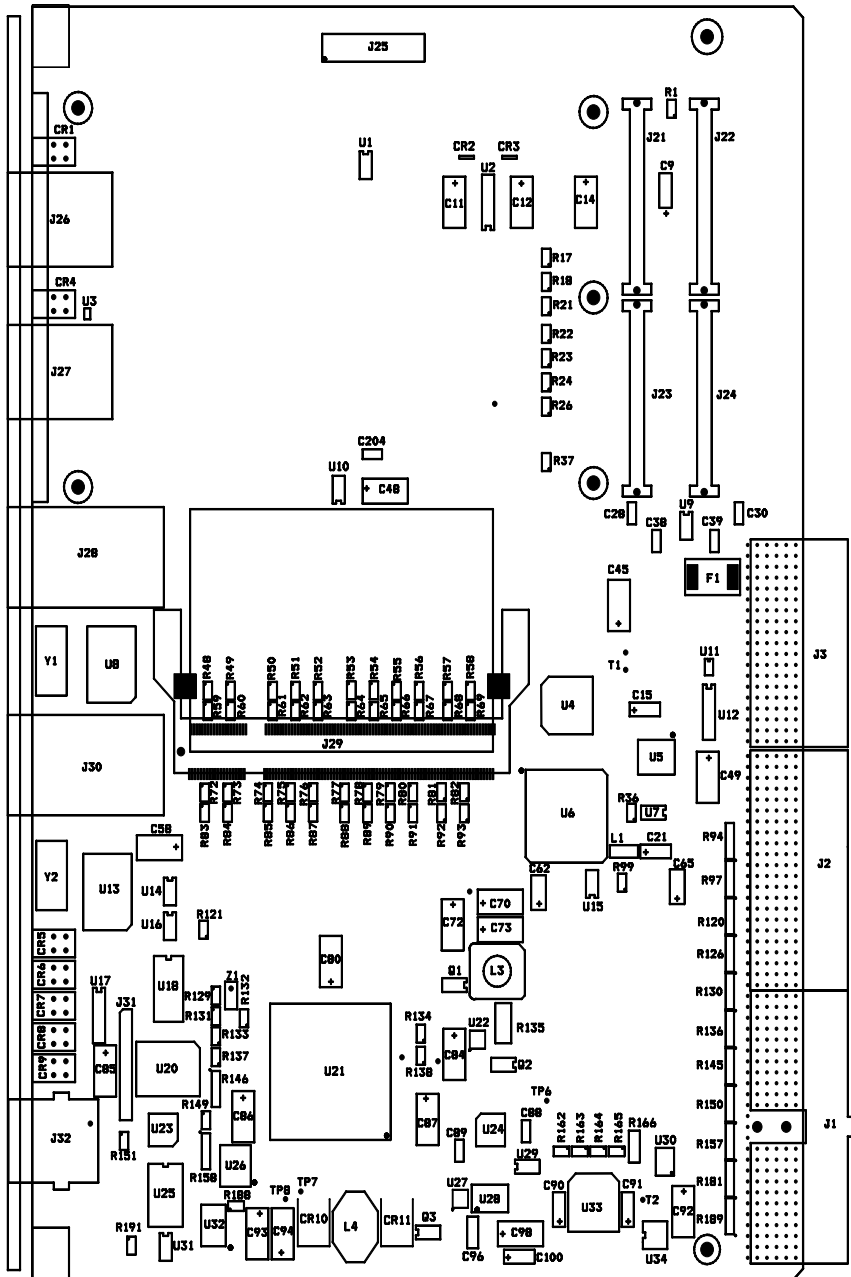
A small amount of airflow will be required, such as is found in a typical Eurocard enclosure.

Table 1-2. Environmental Specifications

Operating Temperatures	0 to 55 Degrees Celsius
Relative Humidity (non-condensing)	0-95%
Storage Temperatures	-55 to 125 Degrees Celsius

Figure 1-2 is a physical diagram (not to scale) of the CPCI-824 adapter, showing the location designators of jumpers, connectors, and major ICs. Refer to this figure when component locations are referenced in the manual text.

Figure 1-2. CPCI-824 Physical Configuration



1.5 REFERENCE MANUALS

PowerPC 440GX Processor User's Manual, Document# Data Sheet, Document #	<i>Applied Micro Circuits Corporation</i> 6290 Sequence Drive San Diego, CA 92121 (800) 755-2622 http://www.amcc.com
RC28F640J3 Strata Flash Data Sheet Developer's Manual, Document #278848 Data Sheet, Document #278821	<i>Intel Corporation</i> Literature Sales P.O. Box 7641 16215 Alton Parkway Irvine, CA 92619-7013 http://www.broadcom.com
LM75 Digital Temperature Sensor	National Semiconductor 2900 Semiconductor Drive P.O. Box 58090 Santa Clara, CA 95052-8090 (800) 272-9959 http://www.national.com
<i>CompactPCI™</i> Specification PICMG 2.0R 3.0	PCI Industrial Computers Manufacturing Group 401 Edgewater Place, Suite 500 Wakefield, MA 01880 (781) 224-1100 (781) 224-1239 Fax www.picmg.org
PCI Local Bus Specification, Revision 2.2 PCI-X Addendum Rev 1.0	PCI special Interest Group 5440 SW Westgate Dr. Suite #217 Portland, OR 97221 (800) 433-5177 (U.S.) (503) 222-6190 (International) (503)222-6190 (Fax) administration@PCISIG.com
Breeze for XScale 80331 Developer's Manual	Part Number 850-0151 Cyclone Microsystems Inc. 370 James Street New Haven, CT 06513 (203) 786-5536 http://www.cyclone.com
I ² O Specification, Revision 1.0	I ² O Special Interest Group (415) 750-8352 http://www.i2osig.org

JTAG Debugger	Wind River HSI 500 Wind River Way Alameda, CA 94501 (510) 748-4100 http://www.windriver.com
---------------	--

1.6 SOFTWARE DEVELOPMENT

To simplify software development, Cyclone Microsystems has created the Breeze Development Environment™. Breeze includes initialization routines, hardware control routines and functions which provide a simple interface to the PCI bus. Source code for accessing the Breeze Development Environment™ is included with the CPCI-824, allowing Breeze functions to be incorporated in a real-time operating system as well.

The Breeze Development Environment™ has been designed to make the development cycle on the CPIC-713 as simple as possible. Source code provided for Breeze also acts as example code to aid developers in creating their own applications. Breeze is present on all CPCI-824 systems and its debugging facilities are available during the development cycle.

Breeze for the CPCI-824 has been developed with the aid of the Wind River HSI VisionPROBE software debugger and VisionCLICK user interface. The VisionPROBE debugger communicates with a JTAG port on the CPCI-824. It provides the capability to download user code to Flash ROM or SDRAM. It is recommended that developers obtain a set of these tools or their equivalents to support application code development.

A complete description of the Breeze Development Environment™ can be found in the “Breeze for PowerPC 440GX Developer’s Manual”, see Section 1.5, Reference Manuals.

CHAPTER 2 HARDWARE

2.1 AMCC POWERPC 440GX PROCESSOR

The AMCC PowerPC 440GX Embedded Processor is a member of AMCC's PowerPC 400 family of microprocessors. The 440GX on the CPCI-824 combines a powerful 667 MHz PowerPC core with intelligent peripherals and is designed to optimize I/O processing tasks. The 440GX processor consolidates into a single system:

- AMCC PowerPC core.
- 256 Kbyte L2 Cache.
- 32 Kbyte Data and Instruction Caches.
- PCI-X interface.
- High-Performance Memory Controller
- Interrupt Controller with 18 external interrupt inputs.
- Four Direct Memory Access (DMA) Controllers.
- Two 10/100/1Gb Ethernet ports with TCP/IP acceleration hardware (TAH)
- Two 10/100Mb Ethernet ports.
- Messaging Unit
- External Bus Control (EBC) interface.
- Two I²C Bus Interface Units.
- Two 16750 compatible UARTS.
- Thirty two General Purpose Input Output (GXIO) ports.

For detailed descriptions of the 440GX, including programming information, consult the AMCC PowerPC 440GX User's Manual.

2.2 BYTE ORDERING

The CPCI-824 is configured to access external devices in big endian mode. The byte ordering determines which memory location stores the least significant byte of the operand. Big endian stores the most significant byte in the lowest address.

2.3 MEMORY MAP

Figure 2-1 shows the CPCI-824 memory map, as configured by Breeze firmware.

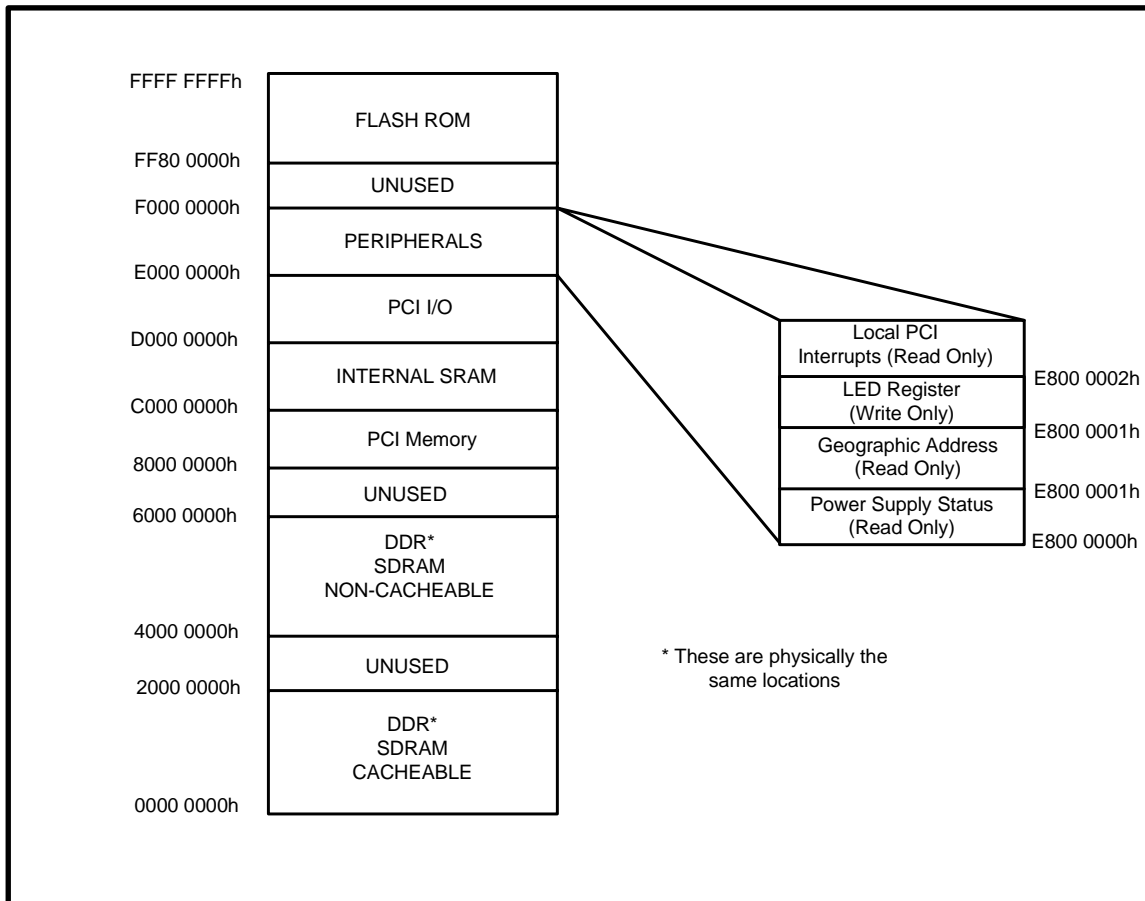


Figure 2-1. CPCI-824 Memory Map

2.4 DDR SDRAM INTERFACE

The CPCI-824 is equipped with a 200 pin SoDIMM socket formatted to accept +2.5V synchronous double data rate DRAM (DDR SDRAM) with or without Error Correction Code (ECC). The socket will accept DDR SDRAM from 64 Mbytes to 1 Gbyte. The SDRAM is accessible from the host PCI bus.

The CPCI-824 uses 72-bit DDR SDRAM with ECC or 64-bit DDR SDRAM without ECC. DDR SDRAM allows zero data-to-data wait state operation with an effective data transfer rate of 333 MHz. The CPCI-824 is shipped with unbuffered ECC DDR SDRAM installed in the SoDIMM socket. The memory may be expanded by inserting up to a 1 GByte module into the 200 pin SoDIMM socket. The various memory combinations are shown in Table 2-1. Only 200 pin, one or two bank, +2.5V DDR SDRAM modules with or without ECC rated as PC2700 or faster should be used on the CPCI-824.

Table 2-1. SDRAM Configurations

DDR SDRAM Technology	DDR SDRAM Arrangement	# Banks	Row	Column	Total Memory Size
128 Mbit	16M x 8 bit	1	12	10	128 Mbyte
		2	12	10	256 Mbyte
	8M x 16 bit	1	12	9	64 Mbyte
		2	12	9	128 Mbyte
256 Mbit	32M x 8 bit	1	13	10	256 Mbyte
		2	13	10	512 Mbyte
	16M x 16 bit	1	13	9	128 Mbyte
		2	13	9	256 Mbyte
512 Mbit	64M x 8 bit	1	13	11	512 Mbyte
		2	13	11	1 Gbyte
	32M x 16 bit	1	13	10	256 Mbyte
		2	13	10	512 Mbyte

2.4.1 Installation and Removal of Memory Modules

Installation or removal of SoDIMM memory on the CPCI-824 is a simple procedure and requires no special tools. The CPCI-824 should be removed from the host system before changing a memory module and care must be taken to avoid static discharge while contacting the board. A properly connected grounding strap should be worn while installing or removing memory modules on the CPCI-824 adapter.

Memory modules are removed by rotating the latches located on each end of the SoDIMM socket outward, away from the module. As the latches are moved outward, the module will pop up, partially out of the socket. Grasp the module by its edges and slide it out of the socket.

To install a memory module, first identify its proper orientation. Each module is keyed with a notch in the card edge of the circuit board that corresponds to a tab in the socket. With the correct orientation established, hold the module at an angle to the surface of the CPCI-824 and insert the module into the card edge receptacle on the socket. When the module is fully inserted (the gold contacts on the module will not be visible) press down on the high edge of the module until it snaps behind the latches.

2.5 INTERRUPTS

An Interrupt is the action in which the PPC440GX saves its old context (Machine State Register (MSR) and next instruction address) and begins execution at a pre-determined interrupt-handler address, with a modified MSR. Exceptions are the events that may cause the processor to take an interrupt, if the corresponding interrupt type is enabled.

Exceptions may be generated by the execution of instructions, or by signs from devices external to the PPC440GX, the internal timer facilities, debug events, or error conditions.

All interrupts, except for Machine Check, can be categorized according to two independent characteristics of the interrupt. They are asynchronous or synchronous and critical and non-critical. Asynchronous interrupts are caused by events that are independent of instruction execution. For asynchronous interrupts, the address reported to the interrupt handling routine is the address of the instruction that would have executed next, had the asynchronous interrupt not occurred. Synchronous interrupts are those that are caused directly by the execution (or attempted execution) of instructions. Critical interrupt and non-critical interrupts use different save/restore register pairs. Machine check interrupts are typically caused by some kind of hardware or storage subsystem failure, or by an attempt to access an invalid address.

2.5.1 External Interrupts

On the CPCI-824, the external interrupts are connected to the PPC440GX as shown in Table 2-2. The local PCI interrupts are shared. Therefore, to determine which of the four local PCI interrupts caused the interrupt, a local board register is provided at address E800 0002h.

Table 2-2. External Interrupts

Interrupt Input	Interrupt Type
IRQ6	TEMPERATURE INTERRUPT
IRQ7	FAN 0 INTERRUPT
IRQ8	FAN 1 INTERRUPT
IRQ9	POWER GOOD INTERRUPT
IRQ10	LOCAL PCI BUS INTERRUPT

2.6 CONSOLE SERIAL PORT

The CPCI-824 adapter utilizes the first of the two UART units of the 440GX. The console serial port with an RS-232 line interfaces has been included on the CPCI-824. The port is connected to a RJ-11 type phone jack on the adapter and can be connected to a host system using the included phone jack to DB-25 cable (Cyclone P/N 530-2006)

The serial port is capable of operating at speeds from 300 to 115200 bps and can be operated in interrupt-driven or polled mode. Breeze firmware uses serial settings of 9600 bps, 8 bit data, no parity, one stop bit, and no flow control. (9600-8N-1). The console serial port connector pin assignment is shown in Table 2-3.

Table 2-3. Console Serial Port Connector

Pin	Signal	Description
1	N/C	Not Used
2	GND	Signal Ground
3	TXD	Transmit Data
4	RXD	Receive Data
5	N/C	Not Used
6	N/C	Not Used

2.7 ETHERNET

The CPCI-824 has two 1 Gigabit Ethernet ports for CAT5 UTP (category 5 unshielded twisted pair). The CPCI-824 1 Gigabit Ethernet is based on the 10/100/1G Ethernet MAC contained in the 440GX and the Broadcom BCM5461 Gigabit Transceiver (PHY). The interface between the MAC and PHY is RGMII. The BCM5461 automatically negotiates with its link partner to determine the highest possible operating speed. The two 10/100 Mbps Ethernet ports interface between the MAC contained within the 440GX and a Broadcom BCM5248 octal 10/100 Mbit PHY. Only two of the BCM5248 ports are used in an SMI configuration.

2.7.1 Gigabit Ethernet Port

The copper line interface of each Gigabit Ethernet port is a shielded RJ45 (modular phone type) connector. The connector conforms to the 1000/100/10Base-T specification. The aggregated input and output ports exit the panel of the CPCI-824.

Note that in 10Base-T and 100Base-T mode, only two pairs are used, one for transmit data and one for receive data. The pin assignment of copper port 0 (J13) and port 1 (J11) is shown on Table 2-4.

Table 2-4. Gigabit Port Connector

Pin	Signal (10/100Base-T)	Description (10/100Base-T)	Signal (1000Base-T)	Description (1000Base-T)
11	TX+	Output	TRD0+	Input/Output
10	TX-	Output	TRD0-	Input/Output
4	RX+	Input	TRD1+	Input/Output

5	RX-	Input	TRD1-	Input/Output
3		Not Used	TR2+	Input/Output
2		Not Used	TRD2-	Input/Output
8		Not Used	TRD3+	Input/Output
9		Not Used	TRD3-	Input/Output

2.7.2 Gigabit Ethernet Port LEDs

Both of the Gigabit Ethernet ports of the CPCI-824 have LEDs associated with the connector. The ports have the LEDs built into the RJ45 connectors. The “LNK” LED indicates, when lit, that the port is LINKed to a functional ethernet network. The “ACT” LED indicates, when lit, that there is ACTivity of transmit or receive data. Normal operation on a 1000Base-T network would have the “LNK” LED lit and the “ACT” LED flashing.

2.7.3 Fast Ethernet Port

The copper line interface of each 10/100 Mbit Fast Ethernet port is a shielded RJ45 (modular phone type) connector. The aggregated input and output ports exit the panel of the CPCI-824.

The pin assignment of Port 0 (J8) and port 1 (J5) is shown on Table 2-5.

Table 2-5. 10/100 Fast Port Connector

Pin	Signal (10/100Base-T)	Description (10/100Base-T)
1	TX+	Output
2	TX-	Output
3	RX+	Input
6	RX-	Input

2.7.4 Fast Ethernet Port LEDs

Both of the Fast Ethernet ports of the CPCI-824 have LEDs associated with the connector. The ports have the LEDs adjacent to the RJ45 connectors. The “LNK” LED indicates, when lit, that the port is LINKed to a functional ethernet network. The “ACT” LED indicates, when lit, that there is ACTivity of transmit or receive data. Normal operation on a 10/100 Base-T network would have the “LNK” LED lit and the “ACT” LED flashing.

2.8 PERIPHERAL BUS

The CPCI-824 utilizes the 440GX External Bus Controller (EBC) as a data communication path to the Flash memory and other peripheral devices such as LEDs and the CPLD for the external register control. The address/data path is on a programmable 8-bit width bus and operates at high bandwidth.

2.8.1 Flash ROM

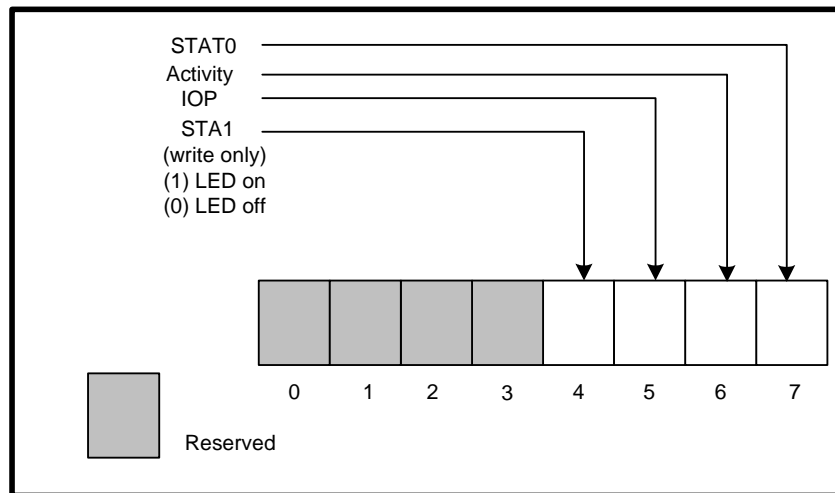
The CPCI-824 provides 8 Mbytes of sector-programmable Flash ROM for non-volatile code storage. The CPCI-824 Flash ROM is an Intel Strataflash J3 type-device, 8 (28F640J3) MBytes in size. The width of the flash bus is 8 bits.

On the CPCI-824, the Flash ROM is mapped beginning at address FF80 0000h, and is divided into four separate memory regions by Breeze firmware: boot region, flash file system, free flash, and boot parameter region. The mapping ensures that, after a reset, the processor can begin execution at the reset, the processor can begin execution at the reset vector address FFFF FFFCh. The size and start location of each of these regions is defined by Breeze software. Refer to the Breeze for 440GX Developer’s Manual for more information.

2.8.2 LEDS

The CPCI-824 front panel has four green LEDs. The four green LEDs labeled IOP, ACT, STAT0, and STAT1 are under software control. The LEDs are controlled by a write-only register which is located at address E000 0001H. The LED Register bitmap is shown in Figure 2-2. A given LED is turned ON by writing a “1” to the appropriate bit in the LED register.

Figure 2-2. LED Register Bitmap, E800 0001H



2.8.3 User LEDs During Initialization

Breeze indicates the progress of its hardware initialization on the user LEDs. In the event that initialization should fail for some reason, the number of lit LEDs can be used to determine the cause of failure. Table 2-6 lists the tests that correspond to each LED.

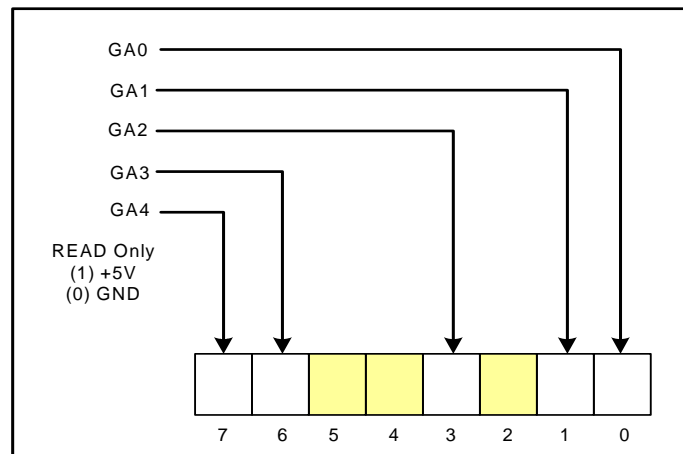
Table 2-6. Breeze Start-up LEDS

LED	TESTS
ACT	TLBs set. External bus controller set
ST0	PCB arbitration priorities set
ST1	Interrupt controller set
IOP	UART set
ACT, ST0	System reset check done.
ACT, ST1	I2C bus set. (first pass)
ACT, IOP	Board configuration initialized
ST0, ST1	Board strapping validated
ST0, IOP	I2C bus set. (second pass)
ST1, IP	SDRAM initialized
ACT, ST0, ST1	SDRAM checked and cleared.
None	Breeze entry

2.8.4 Geographic Addressing

CompactPCI backplanes that support 64-bit connector pin assignments are required to provide a unique differentiation based upon which physical slot the board has been inserted. The CPCI-824 makes this definition available to the software. The definition for GA[4:0] is shown in Figure 2.3.

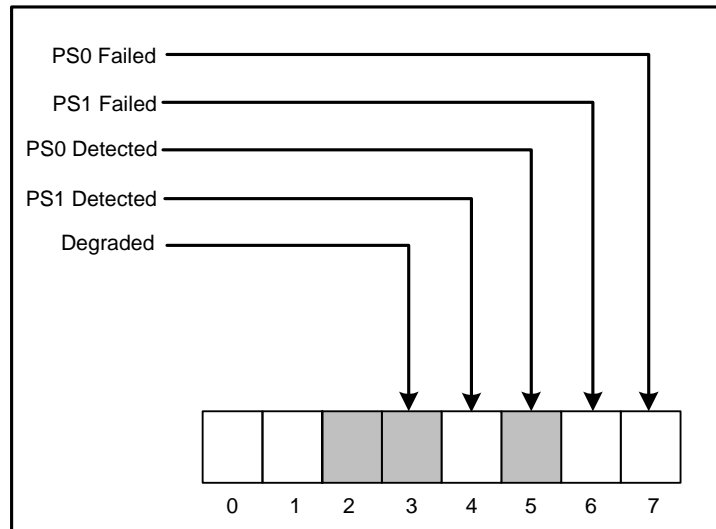
Figure 2-3. Geographic Addressing Register, E800 0001h



2.8.5 Power Supply Monitoring

Two circuits are provided for monitoring the health of power supplies. Additional inputs to the CompactPCI connector define pins for degraded, failed and detected power supplies. The definitions for the CompactPCI connector J2 is provided in Appendix B. A failed or degraded power supply, as long as it is detected, will cause an interrupt to the processor. Additionally, the state of the power supply as defined by POWERGOOD, i.e. the power supply is neither degraded or failed, is displayed in a green LED. Figure 2-4 shows the bit definition for the power supply status register.

Figure 2-4. Power Supply Status Register, E800 0000H



2.9 FAN MONITORING

Two circuits are provided for monitoring of the two fan frequency inputs. As in the case of the power supply monitoring signals, additional inputs to J2 have been defined for the two fan inputs. Refer to Appendix B for their pin locations. The fan monitoring circuits will provide an interrupt to the processor if the frequency of the fan output falls below approximately 8K RPM. Green LEDs are provided for fan interrupt status. If a fan frequency input causes an interrupt, the corresponding LED is turned off.

2.10 I²C BUS

The CPCI-824 has five components attached to the Inter-Integrated Circuit (I²C) bus interface #0 of the PPC440GP processor: the DDR SDRAM EEPROM, the two temperature sensors, the reset configuration Serial EEPROM, and the DDR SDRAM phase lock loop clock driver. The I²C addresses of the devices are shown in Table 2-7.

Table 2-7. I²C Device Addresses

Designator	Device	Function	Address
J10	DDR SDRAM EEPROM SODIMM	Memory Configuration	10100011
U13	LM75	Temperature Sensor	1001000x
U1	LM75	Temperature Sensor	1001001x
U16	24C08-LV	Serial EEPROM	1010000x

2.10.1 SDRAM EEPROM

The EEPROM located on the DDR SDRAM module contains identification and configuration information. Breeze code will read this information on power-up and will properly configure the PPC440GX processor to the SDRAM type. No user intervention is required.

2.10.2 Temperature Sensors

The LM75 temperature sensors have overtemperature trip points that will trigger an interrupt when crossed. The sensors have been placed on the board U1 & U14 and share an interrupt line to the processor. Polling the two devices will be required to determine which part has triggered the interrupt. The sensors are placed in interrupt mode by the Breeze initialization code. The default overtemperature point is 80 degrees Celsius. The sensors can be read for a temperature reading at any time, reading after an interrupt clears the interrupt. The sensor will not interrupt again until the temperature has dropped below the hysteresis value (default is 75 degrees Celsius) and risen again passed the trip point. Consult the LM75 data sheet for more details on programming the temperature sensors.

2.10.3 Serial EEPROM

The first time a CPC820 is powered up, initial conditions are read from a serial EEPROM connected to the I2C bus. The device is read during reset. Initially, the serial EEPROM is disabled and the processor powers up in a default state. Once the board is programmed and the serial EEPROM is programmed, then subsequent power ups will use the data stored.

2.10.4 Phase Lock Loop Clock Driver

The PPC440GX memory controller generates a single differential pair memory clock for the DDR SDRAM devices. The CDCV850 is a low skew, low jitter, zero delay buffer that distributes the differential clock to the three input pairs of the 200 pin SoDIMM.

2.11 JTAG EMULATOR SUPPORT

The CPC824 provides a joint test action group JTAG emulator interface at J27 for XScale compatible emulators. The JTAG emulator interface connects to the JTAG port of the IOP331 processor and has the ability to assert a reset to the secondary PCI bus. The JTAG emulator header definition is shown in Table 2-8

Table 2-8. JTAG Emulator Pin Assignment

Signal	Pin	Pin	Signal
TDO	1	2	No Connect
TDI	3	4	TRST#
NO Connect	5	6	VREF
TCK	7	8	No Connect
TMS	9	10	No Connect
SYS_HALT#	11	12	No Connect
No Connect	11	12	No Connect
No Connect	15	16	GND

A.1 INTRODUCTION

The PMC Module Interface allows PCI devices to be connected to the Local PCI interface of the CPCI-824 host. The IEEE STD P1386.1, PCI Mezzanine Card (PMC), provides for one set of clocking and arbitration signals per PMC Module. Cyclone Microsystems has expanded this to two sets per PMC Module on the CPCI-824. With ability to connect a PMC module on the CPCI-824, up to two devices are supported. Otherwise, with a few exceptions, the standard signals defined for 64-bit CPCI connectors are used for the PMC Modules. The exceptions are noted in Section A.3. The timing for devices on PMC Modules is the same as the timing for any other PCI device; see the *PCI Local Bus Specification* revision 2.2 for details. The CPCI-824 PMC module location is defined as +3.3V signalling. Note that only +3.3V or universal signalling PMC modules may be used on the CPCI-824.

A number of PMC Modules are available from Cyclone Microsystems. This section is intended for users interested in developing their own modules.

A.2 PHYSICAL ATTRIBUTES

Please refer to IEEE P1386/Draft 2.0 for the physical dimensions of PMC modules.

A.3 PMC MODULE SIGNAL DEFINITIONS

PMC Modules use the signals defined in the IEEE STD P1386.1. The following four signals are added to this definition to handle the expansion from one to two devices per PMC module:

- GNT1#
- REQ1#
- CLK1
- IDSEL1

Please note that the added signals use the PMC-RSVD signals as defined in IEEE STD P1386.1. The PCI-RSVD remain untouched.

Also, note that GNT1# follows the description for GNT#, REQ1# follows the description for REQ#, CLK1 follows the description for CLK, and IDSEL1 follows the description for IDSEL. When the appropriate signals are connected to PCI devices on a PMC Module, each device has the full complement of PCI signals defined in the specification.

IDSEL signals are not provided. The designer of a PMC Module should connect the proper AD signal to a device's IDSEL pin. AD21:16 may be used depending on the desired number mapping scheme. The suggested signal connections are shown in tables A-1 and A-2.

Table A-1. PMC Clock & Arbitration Assignment

MODULE	IDSEL	ADDR	IDSEL#	CLOCK	ARBITRATION
PMC 0	IDSEL#	AD17	J12.25	CLKA	REQ0#,GNT0#
PMC 0	IDSEL1#	AD18	J12.34	CLKB	REQ1#,GNT1#

Table A-2. PMC Interrupt Assignment

DEVICE INTx#	1 ST DEVICE	2 ND DEVICE
INTA#	INTA#	INTB#
INTB#	INTB#	INTC#
INTC#	INTC#	INTD#
INTD#	INTD#	INTA#

A.4 PMC MODULE CONNECTOR

PMC Modules use three board-to-board connectors (plug) with 64 pins each. The receptacles (i.e. AMP P/N 120521-2) are located on the host platform and attach to the plugs (i.e. AMP P/N 120527-2). This connector combination allows for a 10 mm board-to-board spacing. See IEEE P1386/Draft 2.0 for dimensions and component clearance details.

Table A-3. P21 PMC Module Connector Pinout

Pin	Signal	Pin	Signal
1	TCK	2	-12V
3	GND	4	INTA#
5	INTB#	6	INTC#
7	BUSMODE1#	8	+5V
9	INTD#	10	PCI-RSVD
11	GND	12	PCI-RSVD
13	CLK	14	GND
15	GND	16	GNT#
17	REQ#	18	+5V
19	V(I/O)	20	AD31
21	AD28	22	AD27
23	AD25	24	GND
25	GND	26	C/BE3#
27	AD22	28	AD21
29	AD19	30	+5V
31	V(I/O)	32	AD17
33	FRAME#	34	GND
35	GND	36	IRDY#
37	DEVSEL#	38	+5V
39	GND	40	LOCK#
41	SDONE#	42	SBO#
43	PAR	44	GND
45	V(I/O)	46	AD15
47	AD12	48	AD11
49	AD09	50	+5V
51	GND	52	C/BE0#
53	AD06	54	AD05
55	AD04	56	GND
57	V(I/O)	58	AD03
59	AD02	60	AD01
61	AD00	62	+5V
63	GND	64	REQ64#

Table A-4. P22 PMC Module Connector Pinout

Pin	Signal	Pin	Signal
1	+12V	2	TRST#
3	TMS	4	TDO
5	TDI	6	GND
7	GND	8	PCI-RSVD
9	PCI-RSVD	10	PCI-RSVD
11	BUSMODE2#	12	+3.3V
13	RST#	14	BUSMODE3#
15	+3.3V	16	BUSMODE4#
17	PCI-RSVD	18	GND
19	AD30	20	AD29
21	GND	22	AD26
23	AD24	24	+3.3V
25	IDSEL	26	AD23
27	+3.3V	28	AD20
29	AD18	30	GND
31	AD16	32	C/BE2#
33	GND	34	PMC+IDSEL1
35	TRDY#	36	+3.3V
37	GND	38	STOP#
39	PERR#	40	GND
41	+3.3V	42	SERR#
43	C/BE1#	44	GND
45	AD14	46	AD13
47	GND	48	AD10
49	AD08	50	+3.3V
51	AD07	52	PMC+REQ1
53	+3.3V	54	PMC+CLK1
55	PMC+GNT1#	56	GND
57	PMC-RSVD	58	PMC-RSVD
59	GND	60	PMC-RSVD
61	ACK64#	62	+3.3V
63	GND	64	PMC-RSVD

Table A-5. P23 PMC Module Connector Pinout

Pin	Signal	Pin	Signal
1	PCI-RSVD	2	GND
3	GND	4	C/BE7#
5	C/BE6#	6	C/BE5#
7	C/BE4#	8	GND
9	V(I/O)	10	PAR64
11	AD63	12	AD62
13	AD61	14	GND
15	GND	16	AD60
17	AD59	18	AD58
19	AD57	20	GND
21	V(I/O)	22	AD56
23	AD55	24	AD54
25	AD55	26	GND
27	GND	28	AD52
29	AD51	30	AD50
31	AD49	32	GND
33	GND	34	AD48
35	AD47	36	AD46
37	AD45	38	GND
39	V(I/O)	40	AD44
41	AD43	42	AD42
43	AD41	44	GND
45	GND	46	AD40
47	AD39	48	AD38
49	AD37	50	GND
51	GND	52	AD36
53	AD35	54	AD34
55	AD33	56	GND
57	V(I/O)	58	AD32
59	PCI-RSVD	60	PCI-RSVD
61	PCI-RSVD	62	GND
63	GND	64	PCI-RSVD

APPENDIX B CPCI J2 DEFINITION

B.1 INTRODUCTION

The CPCI-824 utilizes some of the reserved pins in J2 for Fan and Power Supply status information. Differences from the CPCI specification are shown in table B-1.

Table B-1. CPCI-824 J2 Definition

Pin	C	D	E
20	FAL1#	GND	DET0#
21	FAN1	FAN0	DET1#

Free Manuals Download Website

<http://myh66.com>

<http://usermanuals.us>

<http://www.somanuals.com>

<http://www.4manuals.cc>

<http://www.manual-lib.com>

<http://www.404manual.com>

<http://www.luxmanual.com>

<http://aubethermostatmanual.com>

Golf course search by state

<http://golfingnear.com>

Email search by domain

<http://emailbydomain.com>

Auto manuals search

<http://auto.somanuals.com>

TV manuals search

<http://tv.somanuals.com>