

Contacting CyberData

|   |  |
|---|--|
| <p>Corporate Headquarters</p> <p>CyberData Corporation<br/>                 2555 Garden Road<br/>                 Monterey, CA 93940, USA</p> <p>Phone: 831-373-2601<br/>                 Fax: 831-373-4193<br/>                 www.CyberData.net</p> <p>Sales: (831) 373-2601 ext. 334</p> <p>Support: 831-373-2601 ext. 333<br/>                 Email: support@CyberData.net</p> <p>RMA Dept: (831) 373-2601 ext. 136<br/>                 Email: RMA@CyberData.net</p> | <p><b>Warranty</b></p> <p>CyberData warrants its product against defects in material and workmanship for a period of two years from the date of purchase. Should the product fail within the warranty period, CyberData will repair or replace the product free of charge. This warranty includes all parts and labor. Should the product fail out-of-warranty, a flat rate repair charge of one half the purchase price will be assessed. Repair costs for products that are in warranty, but damaged by improper modifications or abuse, are charged at the out-of-warranty rate. Products returned to CyberData, both in and out-of-warranty, are shipped to CyberData at the customer's expense. Charges for shipping repaired products to the customer are paid by CyberData.</p> <p>For product service, contact the Returned Materials Authorization (RMA) department. A product will not be accepted for return without an approved RMA number. Send the product, in its original package, to: CyberData Corporation, 2555 Garden Road, Monterey, CA 93940, Attention: RMA "your RMA number"</p> |
|---|--|



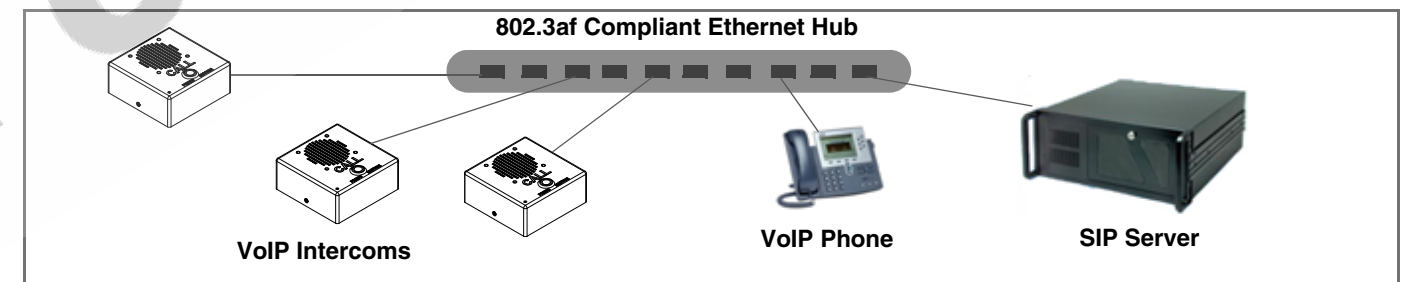
Installation Quick Reference  
**VoIP Indoor Intercom**  
 SIP Compliant  
**011030**

The Voice-over-IP (VoIP) Indoor Intercom is a SIP endpoint designed to provide VoIP phone connectivity in a tamper proof and secure package.



| Parameter           | Factory Default Setting |
|---------------------|-------------------------|
| IP Addressing       | static                  |
| IP Address          | 192.168.3.10            |
| Web Access Username | admin                   |
| Web Access Password | admin                   |
| Subnet Mask         | 255.255.255.0           |
| Default Gateway     | 192.168.3.1             |

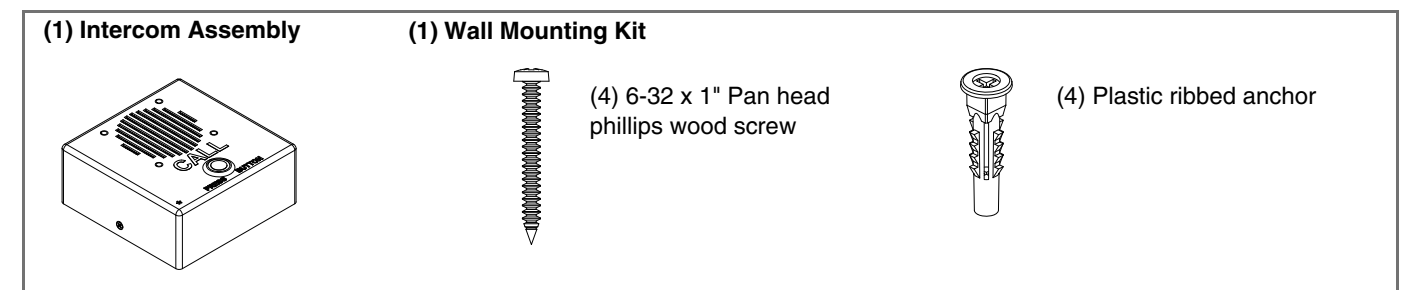
Typical Intercom System Installation



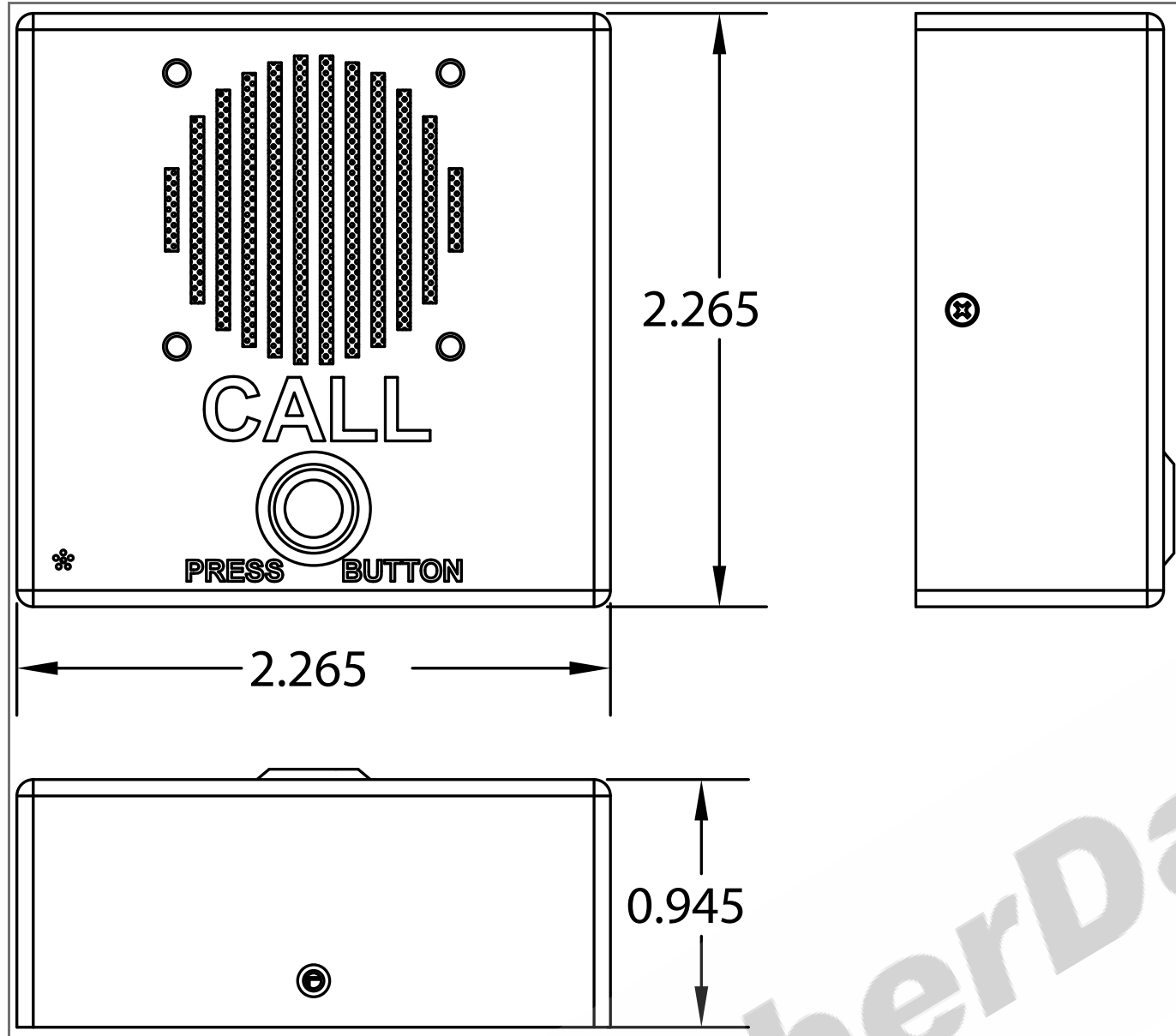
Getting Started

- Download the *VoIP Intercom Operations Guide*, a PDF file, at: <http://www.cyberdata.net/support/voip/intercom.html> or go to [www.CyberData.net](http://www.CyberData.net) ->Support->Drivers, Utilities, & Manuals-> Product Drivers & Documentation page->VoIP Intercom.
- Create a plan for the locations of your Intercoms.
- Prior to installation, consult local building and electrical code requirements.
- **WARNING: This enclosure is not rated for any AC voltages!**

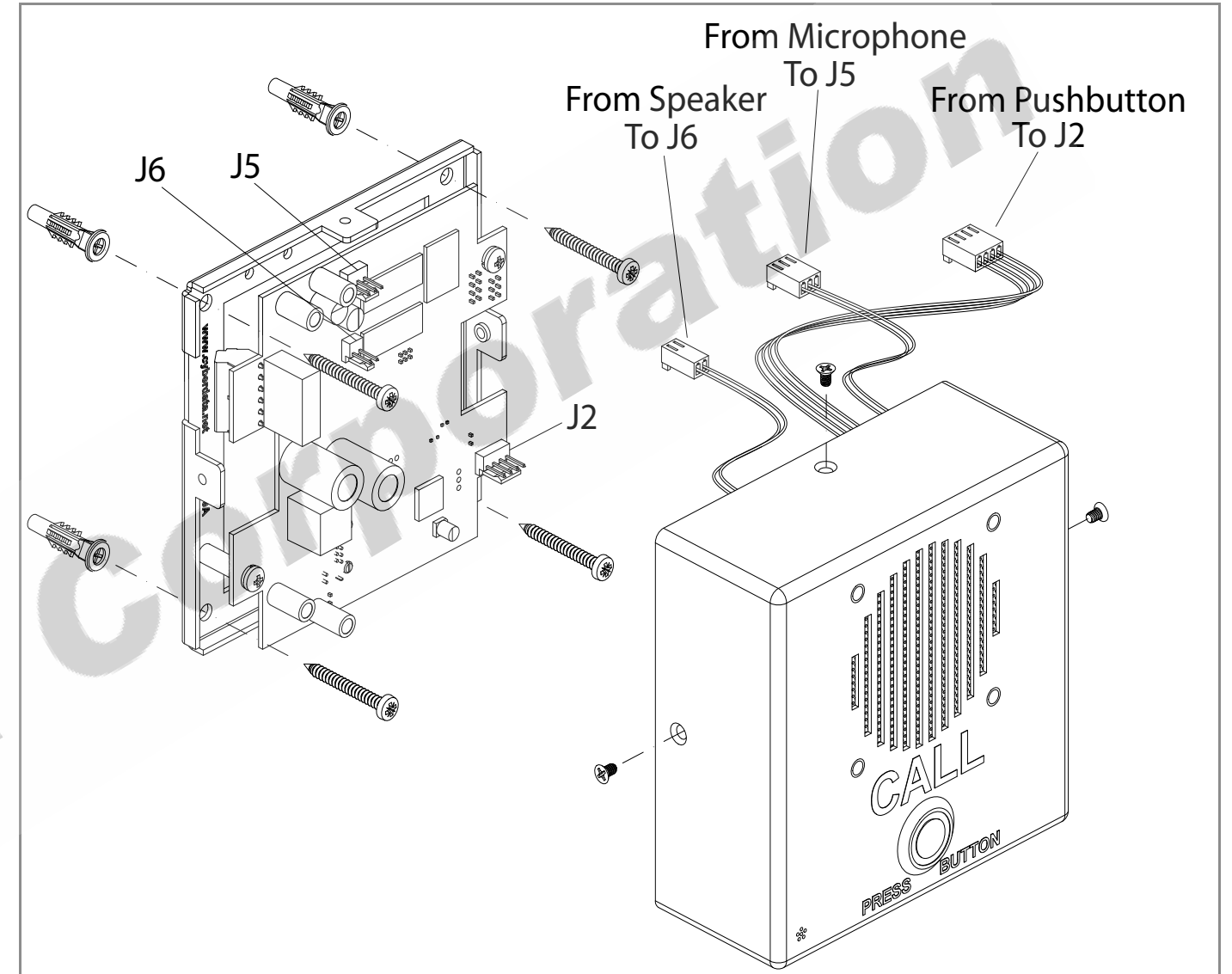
Intercom Parts



Intercom Dimensions



Mounting and Screws



## Free Manuals Download Website

<http://myh66.com>

<http://usermanuals.us>

<http://www.somanuals.com>

<http://www.4manuals.cc>

<http://www.manual-lib.com>

<http://www.404manual.com>

<http://www.luxmanual.com>

<http://aubethermostatmanual.com>

Golf course search by state

<http://golfingnear.com>

Email search by domain

<http://emailbydomain.com>

Auto manuals search

<http://auto.somanuals.com>

TV manuals search

<http://tv.somanuals.com>