

# 2-Mbit (128K x 18) Pipelined DCD Sync SRAM

## Features

- Registered inputs and outputs for pipelined operation
- Optimal for performance (Double-Cycle deselect)
  - Depth expansion without wait state
- 128K x 18-bit common I/O architecture
- 3.3V core power supply
- 3.3V/2.5V I/O supply
- Fast clock-to-output time
  - 3.5 ns (for 166-MHz device)
  - 4.0 ns (for 133-MHz device)
- Provide high-performance 3-1-1-1 access rate
- User-selectable burst counter supporting Intel® Pentium® interleaved or linear burst sequences
- Separate processor and controller address strobes
- Synchronous self-timed write
- Asynchronous Output Enable
- Offered in JEDEC-standard lead-free 100-pin TQFP package
- “ZZ” Sleep Mode option

## Functional Description<sup>[1]</sup>

The CY7C1223H SRAM integrates 128K x 18 SRAM cells with advanced synchronous peripheral circuitry and a two-bit counter for internal burst operation. All synchronous inputs are gated by registers controlled by a positive-edge-triggered Clock Input (CLK). The synchronous inputs include all addresses, all data inputs, address-pipelining Chip Enable (CE<sub>1</sub>), depth-expansion Chip Enables (CE<sub>2</sub> and CE<sub>3</sub>), Burst Control inputs (ADSC, ADSP, and ADV), Write Enables (BW<sub>[A:B]</sub> and BWE), and Global Write (GW). Asynchronous inputs include the Output Enable (OE) and the ZZ pin.

Addresses and chip enables are registered at rising edge of clock when either Address Strobe Processor (ADSP) or Address Strobe Controller (ADSC) are active. Subsequent burst addresses can be internally generated as controlled by the Advance pin (ADV).

Address, data inputs, and write controls are registered on-chip to initiate a self-timed Write cycle. This part supports Byte Write operations (see Pin Descriptions and Truth Table for further details). Write cycles can be one to two bytes wide as controlled by the byte write control inputs. GW active LOW causes all bytes to be written. This device incorporates an additional pipelined enable register which delays turning off the output buffers an additional cycle when a deselect is executed. This feature allows depth expansion without penalizing system performance.

The CY7C1223H operates from a +3.3V core power supply while all outputs operate with either a +3.3V/2.5V supply. All inputs and outputs are JEDEC-standard JESD8-5-compatible.

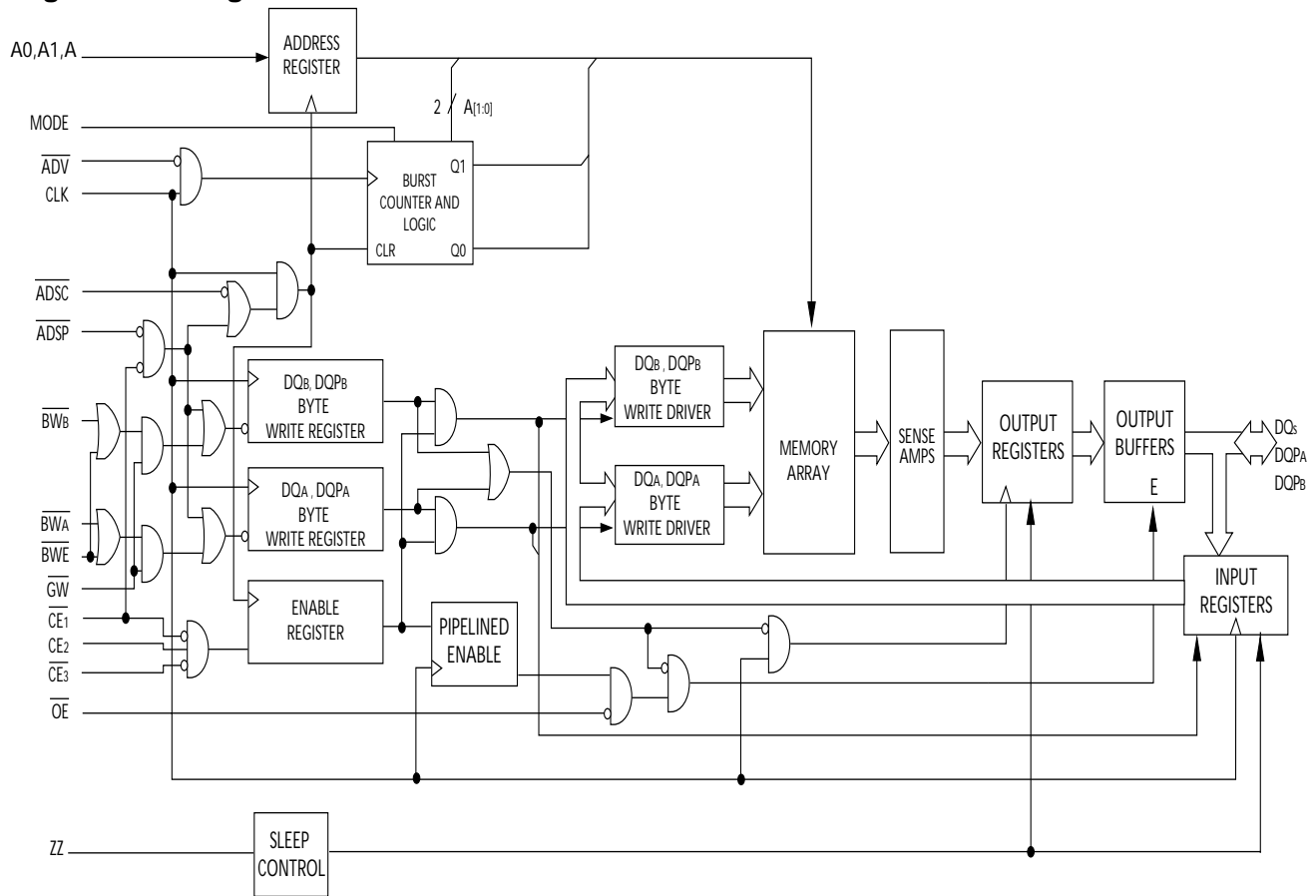
## Selection Guide

|                              | 166 MHz | 133 MHz | Unit |
|------------------------------|---------|---------|------|
| Maximum Access Time          | 3.5     | 4.0     | ns   |
| Maximum Operating Current    | 240     | 225     | mA   |
| Maximum CMOS Standby Current | 40      | 40      | mA   |

**Note:**

1. For best-practices recommendations, please refer to the Cypress application note *System Design Guidelines* on [www.cypress.com](http://www.cypress.com).

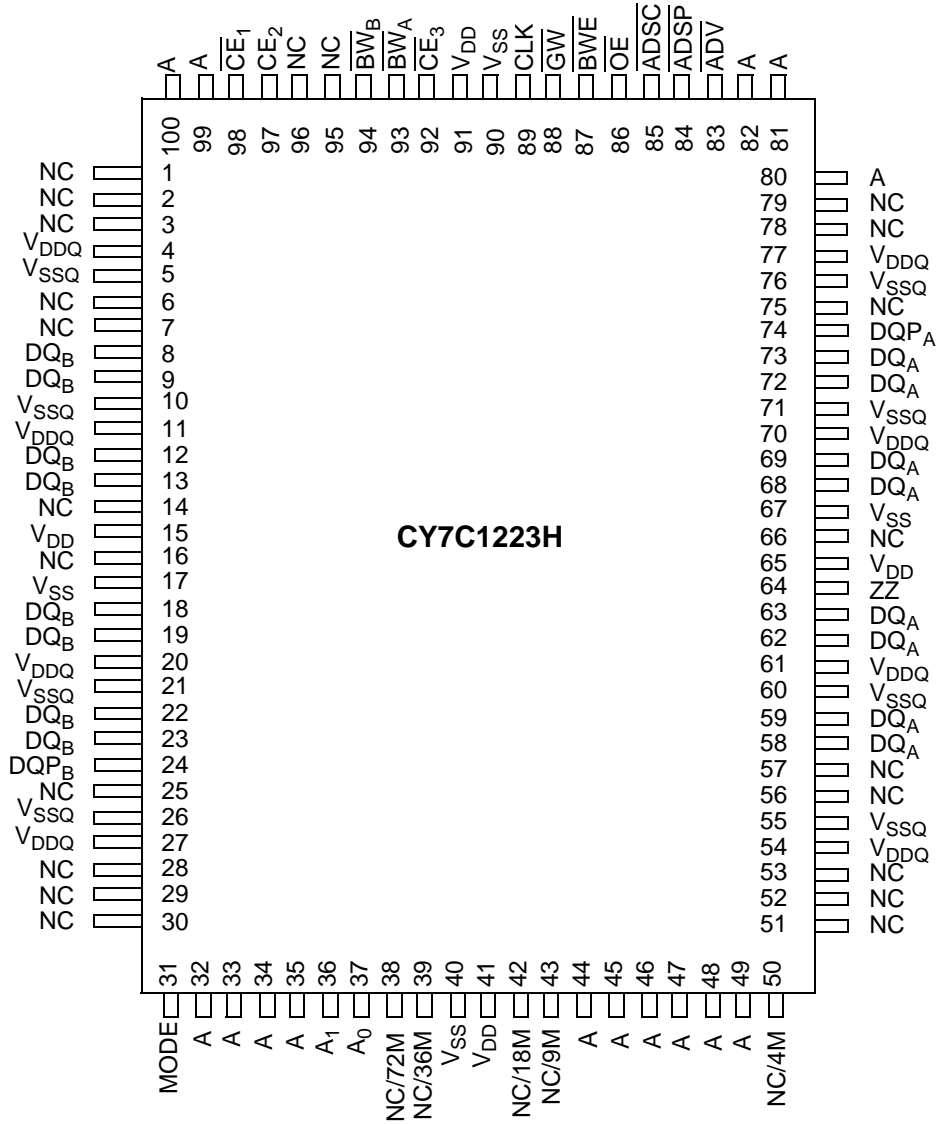
### Logic Block Diagram



Pin Configurations

100-pin TQFP Pinout

Top View



**Pin Descriptions**

| Pin                         | Type               | Description   |
|-----------------------------|--------------------|---|
| A0, A <sub>1</sub> , A      | Input-Synchronous  | <b>Address Inputs used to select one of the 128K address locations.</b> Sampled at the rising edge of the CLK if ADSP or ADSC is active LOW, and CE <sub>1</sub> , CE <sub>2</sub> , and CE <sub>3</sub> are sampled active. A <sub>[1:0]</sub> are fed to the two-bit counter.   |
| BW <sub>[A:B]</sub>         | Input-Synchronous  | <b>Byte Write Select Inputs, active LOW.</b> Qualified with BWE to conduct byte writes to the SRAM. Sampled on the rising edge of CLK.  |
| GW                          | Input-Synchronous  | <b>Global Write Enable Input, active LOW.</b> When asserted LOW on the rising edge of CLK, a global write is conducted (ALL bytes are written, regardless of the values on BW <sub>[A:B]</sub> and BWE).  |
| BWE                         | Input-Synchronous  | <b>Byte Write Enable Input, active LOW.</b> Sampled on the rising edge of CLK. This signal must be asserted LOW to conduct a byte write.  |
| CLK                         | Input-Clock        | <b>Clock Input.</b> Used to capture all synchronous inputs to the device. Also used to increment the burst counter when ADV is asserted LOW, during a burst operation.  |
| CE <sub>1</sub>             | Input-Synchronous  | <b>Chip Enable 1 Input, active LOW.</b> Sampled on the rising edge of CLK. Used in conjunction with CE <sub>2</sub> and CE <sub>3</sub> to select/deselect the device. ADSP is ignored if CE <sub>1</sub> is HIGH. CE <sub>1</sub> is sampled only when a new external address is loaded.   |
| CE <sub>2</sub>             | Input-Synchronous  | <b>Chip Enable 2 Input, active HIGH.</b> Sampled on the rising edge of CLK. Used in conjunction with CE <sub>1</sub> and CE <sub>3</sub> to select/deselect the device. CE <sub>2</sub> is sampled only when a new external address is loaded.  |
| CE <sub>3</sub>             | Input-Synchronous  | <b>Chip Enable 3 Input, active LOW.</b> Sampled on the rising edge of CLK. Used in conjunction with CE <sub>1</sub> and CE <sub>2</sub> to select/deselect the device. CE <sub>3</sub> is sampled only when a new external address is loaded.   |
| OE                          | Input-Asynchronous | <b>Output Enable, asynchronous input, active LOW.</b> Controls the direction of the I/O pins. When LOW, the I/O pins behave as outputs. When deasserted HIGH, I/O pins are tri-stated, and act as input data pins. OE is masked during the first clock of a read cycle when emerging from a deselected state.   |
| ADV                         | Input-Synchronous  | <b>Advance Input signal, sampled on the rising edge of CLK, active LOW.</b> When asserted, it automatically increments the address in a burst cycle.  |
| ADSP                        | Input-Synchronous  | <b>Address Strobe from Processor, sampled on the rising edge of CLK, active LOW.</b> When asserted LOW, addresses presented to the device are captured in the address registers. A <sub>[1:0]</sub> are also loaded into the burst counter. When ADSP and ADSC are both asserted, only ADSP is recognized. ADSP is ignored when CE <sub>1</sub> is deasserted HIGH.   |
| ADSC                        | Input-Synchronous  | <b>Address Strobe from Controller, sampled on the rising edge of CLK, active LOW.</b> When asserted LOW, addresses presented to the device are captured in the address registers. A <sub>[1:0]</sub> are also loaded into the burst counter. When ADSP and ADSC are both asserted, only ADSP is recognized.   |
| ZZ                          | Input-Asynchronous | <b>ZZ “sleep” input, active HIGH.</b> When asserted HIGH places the device in a non-time-critical “sleep” condition with data integrity preserved. For normal operation, this pin has to be LOW or left floating. ZZ pin has an internal pull-down.   |
| DQs<br>DQP <sub>[A:B]</sub> | I/O-Synchronous    | <b>Bidirectional Data I/O lines.</b> As inputs, they feed into an on-chip data register that is triggered by the rising edge of CLK. As outputs, they deliver the data contained in the memory location specified by the addresses presented during the previous clock rise of the read cycle. The direction of the pins is controlled by OE. When OE is asserted LOW, the pins behave as outputs. When HIGH, DQs and DQP <sub>[A:B]</sub> are placed in a tri-state condition. |
| V <sub>DD</sub>             | Power Supply       | <b>Power supply inputs to the core of the device.</b>   |
| V <sub>SS</sub>             | Ground             | <b>Ground for the core of the device.</b>   |
| V <sub>DDQ</sub>            | I/O Power Supply   | <b>Power supply for the I/O circuitry.</b>  |
| V <sub>SSQ</sub>            | I/O Ground         | <b>Ground for the I/O circuitry.</b>  |
| MODE                        | Input-Static       | <b>Selects Burst Order.</b> When tied to GND selects linear burst sequence. When tied to V <sub>DD</sub> or left floating selects interleaved burst sequence. This is a strap pin and should remain static during device operation. Mode Pin has an internal pull-up.   |
| NC                          |                    | <b>No Connects.</b> Not internally connected to the die. 4M, 9M, 18M, 72M, 144M, 288M, 576M, and 1G are address expansion pins and are not internally connected to the die.   |

## Functional Overview

All synchronous inputs pass through input registers controlled by the rising edge of the clock. All data outputs pass through output registers controlled by the rising edge of the clock.

The CY7C1223H supports secondary cache in systems utilizing either a linear or interleaved burst sequence. The interleaved burst order supports Pentium and i486™ processors. The linear burst sequence is suited for processors that utilize a linear burst sequence. The burst order is user selectable, and is determined by sampling the MODE input. Accesses can be initiated with either the Processor Address Strobe (ADSP) or the Controller Address Strobe (ADSC). Address advancement through the burst sequence is controlled by the ADV input. A two-bit on-chip wraparound burst counter captures the first address in a burst sequence and automatically increments the address for the rest of the burst access.

Byte write operations are qualified with the Byte Write Enable (BWE) and Byte Write Select (BW<sub>[A:B]</sub>) inputs. A Global Write Enable (GW) overrides all byte write inputs and writes data to all four bytes. All writes are simplified with on-chip synchronous self-timed write circuitry.

Synchronous Chip Selects  $\overline{CE}_1$ ,  $CE_2$ ,  $\overline{CE}_3$  and an asynchronous Output Enable ( $\overline{OE}$ ) provide for easy bank selection and output tri-state control. ADSP is ignored if  $CE_1$  is HIGH.

### Single Read Accesses

This access is initiated when the following conditions are satisfied at clock rise: (1) ADSP or ADSC is asserted LOW, (2) chip selects are all asserted active, and (3) the Write signals (GW, BWE) are all deasserted HIGH. ADSP is ignored if  $CE_1$  is HIGH. The address presented to the address inputs is stored into the address advancement logic and the Address Register while being presented to the memory core. The corresponding data is allowed to propagate to the input of the Output Registers. At the rising edge of the next clock the data is allowed to propagate through the output register and onto the data bus within  $t_{CO}$  if  $\overline{OE}$  is active LOW. The only exception occurs when the SRAM is emerging from a deselected state to a selected state, its outputs are always tri-stated during the first cycle of the access. After the first cycle of the access, the outputs are controlled by the  $\overline{OE}$  signal. Consecutive single read cycles are supported.

The CY7C1223H is a double-cycle deselect part. Once the SRAM is deselected at clock rise by the chip select and either ADSP or ADSC signals, its output will tri-state immediately after the next clock rise.

### Single Write Accesses Initiated by ADSP

This access is initiated when both of the following conditions are satisfied at clock rise: (1) ADSP is asserted LOW, and (2) chip select is asserted active. The address presented is loaded into the address register and the address advancement logic while being delivered to the memory core. The write signals (GW, BWE, and BW<sub>[A:B]</sub>) and ADV inputs are ignored during this first cycle.

ADSP triggered write accesses require two clock cycles to complete. If GW is asserted LOW on the second clock rise, the data presented to the DQx inputs is written into the corresponding address location in the memory core. If GW is HIGH,

then the write operation is controlled by  $\overline{BWE}$  and  $\overline{BW}_{[A:B]}$  signals. The CY7C1223H provides Byte Write capability that is described in the Write Cycle Description table. Asserting the Byte Write Enable input (BWE) with the selected Byte Write input will selectively write to only the desired bytes. Bytes not selected during a Byte Write operation will remain unaltered. A synchronous self-timed write mechanism has been provided to simplify the Write operations.

Because the CY7C1223H is a common I/O device, the Output Enable ( $\overline{OE}$ ) must be deasserted HIGH before presenting data to the DQ inputs. Doing so will tri-state the output drivers. As a safety precaution, DQ are automatically tri-stated whenever a write cycle is detected, regardless of the state of  $\overline{OE}$ .

### Single Write Accesses Initiated by ADSC

$\overline{ADSC}$  write accesses are initiated when the following conditions are satisfied: (1) ADSC is asserted LOW, (2) ADSP is deasserted HIGH, (3) chip select is asserted active, and (4) the appropriate combination of the write inputs (GW, BWE, and BW<sub>[A:B]</sub>) are asserted active to conduct a write to the desired byte(s). ADSC triggered write accesses require a single clock cycle to complete. The address presented is loaded into the address register and the address advancement logic while being delivered to the memory core. The ADV input is ignored during this cycle. If a global write is conducted, the data presented to the DQ<sub>x</sub> is written into the corresponding address location in the memory core. If a byte write is conducted, only the selected bytes are written. Bytes not selected during a byte write operation will remain unaltered. A synchronous self-timed write mechanism has been provided to simplify the write operations.

Because the CY7C1223H is a common I/O device, the Output Enable ( $\overline{OE}$ ) must be deasserted HIGH before presenting data to the DQ<sub>x</sub> inputs. Doing so will tri-state the output drivers. As a safety precaution, DQ<sub>x</sub> are automatically tri-stated whenever a write cycle is detected, regardless of the state of  $\overline{OE}$ .

### Burst Sequences

The CY7C1223H provides a two-bit wraparound counter, fed by  $A_{[1:0]}$ , that implements either an interleaved or linear burst sequence. The interleaved burst sequence is designed specifically to support Intel Pentium applications. The linear burst sequence is designed to support processors that follow a linear burst sequence. The burst sequence is user selectable through the MODE input. Both read and write burst operations are supported.

Asserting  $\overline{ADV}$  LOW at clock rise will automatically increment the burst counter to the next address in the burst sequence. Both read and write burst operations are supported.

### Sleep Mode

The ZZ input pin is an asynchronous input. Asserting ZZ places the SRAM in a power conservation "sleep" mode. Two clock cycles are required to enter into or exit from this "sleep" mode. While in this mode, data integrity is guaranteed. Accesses pending when entering the "sleep" mode are not considered valid nor is the completion of the operation guaranteed. The device must be deselected prior to entering the "sleep" mode.  $CEs$ , ADSP, and ADSC must remain inactive for the duration of  $t_{ZZREC}$  after the ZZ input returns LOW.

Interleaved Burst Address Table (MODE = Floating or V<sub>DD</sub>)

| First Address A1, A0 | Second Address A1, A0 | Third Address A1, A0 | Fourth Address A1, A0 |
|----------------------|-----------------------|----------------------|-----------------------|
| 00                   | 01                    | 10                   | 11                    |
| 01                   | 00                    | 11                   | 10                    |
| 10                   | 11                    | 00                   | 01                    |
| 11                   | 10                    | 01                   | 00                    |

Linear Burst Address Table (MODE = GND)

| First Address A1, A0 | Second Address A1, A0 | Third Address A1, A0 | Fourth Address A1, A0 |
|----------------------|-----------------------|----------------------|-----------------------|
| 00                   | 01                    | 10                   | 11                    |
| 01                   | 10                    | 11                   | 00                    |
| 10                   | 11                    | 00                   | 01                    |
| 11                   | 00                    | 01                   | 10                    |

Truth Table [2, 3, 4, 5, 6]

| Operation                    | Address Used | $\overline{CE}_1$ | CE <sub>2</sub> | $\overline{CE}_3$ | ZZ | $\overline{ADSP}$ | $\overline{ADSC}$ | $\overline{ADV}$ | $\overline{WRITE}$ | $\overline{OE}$ | CLK | DQ        |
|------------------------------|--------------|-------------------|-----------------|-------------------|----|-------------------|-------------------|------------------|--------------------|-----------------|-----|-----------|
| Deselected Cycle, Power-down | None         | H                 | X               | X                 | L  | X                 | L                 | X                | X                  | X               | L-H | Tri-State |
| Deselected Cycle, Power-down | None         | L                 | L               | X                 | L  | L                 | X                 | X                | X                  | X               | L-H | Tri-State |
| Deselected Cycle, Power-down | None         | L                 | X               | H                 | L  | L                 | X                 | X                | X                  | X               | L-H | Tri-State |
| Deselected Cycle, Power-down | None         | L                 | L               | X                 | L  | H                 | L                 | X                | X                  | X               | L-H | Tri-State |
| Deselected Cycle, Power-down | None         | L                 | X               | H                 | L  | H                 | L                 | X                | X                  | X               | L-H | Tri-State |
| ZZ Mode, Power-down          | None         | X                 | X               | X                 | H  | X                 | X                 | X                | X                  | X               | X   | Tri-State |
| Read Cycle, Begin Burst      | External     | L                 | H               | L                 | L  | L                 | X                 | X                | X                  | L               | L-H | Q         |
| Read Cycle, Begin Burst      | External     | L                 | H               | L                 | L  | L                 | X                 | X                | X                  | H               | L-H | Tri-State |
| Write Cycle, Begin Burst     | External     | L                 | H               | L                 | L  | H                 | L                 | X                | L                  | X               | L-H | D         |
| Read Cycle, Begin Burst      | External     | L                 | H               | L                 | L  | H                 | L                 | X                | H                  | L               | L-H | Q         |
| Read Cycle, Begin Burst      | External     | L                 | H               | L                 | L  | H                 | L                 | X                | H                  | H               | L-H | Tri-State |
| Read Cycle, Continue Burst   | Next         | X                 | X               | X                 | L  | H                 | H                 | L                | H                  | L               | L-H | Q         |
| Read Cycle, Continue Burst   | Next         | X                 | X               | X                 | L  | H                 | H                 | L                | H                  | H               | L-H | Tri-State |
| Read Cycle, Continue Burst   | Next         | H                 | X               | X                 | L  | X                 | H                 | L                | H                  | L               | L-H | Q         |
| Read Cycle, Continue Burst   | Next         | H                 | X               | X                 | L  | X                 | H                 | L                | H                  | H               | L-H | Tri-State |
| Write Cycle, Continue Burst  | Next         | X                 | X               | X                 | L  | H                 | H                 | L                | L                  | X               | L-H | D         |
| Write Cycle, Continue Burst  | Next         | H                 | X               | X                 | L  | X                 | H                 | L                | L                  | X               | L-H | D         |
| Read Cycle, Suspend Burst    | Current      | X                 | X               | X                 | L  | H                 | H                 | H                | H                  | L               | L-H | Q         |
| Read Cycle, Suspend Burst    | Current      | X                 | X               | X                 | L  | H                 | H                 | H                | H                  | H               | L-H | Tri-State |
| Read Cycle, Suspend Burst    | Current      | H                 | X               | X                 | L  | X                 | H                 | H                | H                  | L               | L-H | Q         |
| Read Cycle, Suspend Burst    | Current      | H                 | X               | X                 | L  | X                 | H                 | H                | H                  | H               | L-H | Tri-State |
| Write Cycle, Suspend Burst   | Current      | X                 | X               | X                 | L  | H                 | H                 | H                | L                  | X               | L-H | D         |
| Write Cycle, Suspend Burst   | Current      | H                 | X               | X                 | L  | X                 | H                 | H                | L                  | X               | L-H | D         |

Notes:

- X = "Don't Care." H = Logic HIGH, L = Logic LOW.
- $\overline{WRITE} = L$  when any one or more Byte Write enable signals ( $\overline{BW}_A$ ,  $\overline{BW}_B$ ) and  $BWE = L$  or  $\overline{GW} = L$ .  $\overline{WRITE} = H$  when all Byte write enable signals ( $\overline{BW}_A$ ,  $\overline{BW}_B$ ),  $BWE$ ,  $\overline{GW} = H$ .
- The DQ pins are controlled by the current cycle and the  $\overline{OE}$  signal.  $\overline{OE}$  is asynchronous and is not sampled with the clock.
- The SRAM always initiates a read cycle when  $\overline{ADSP}$  is asserted, regardless of the state of  $\overline{GW}$ ,  $BWE$ , or  $\overline{BW}_{[A,B]}$ . Writes may occur only on subsequent clocks after the  $\overline{ADSP}$  or with the assertion of  $\overline{ADSC}$ . As a result,  $\overline{OE}$  must be driven HIGH prior to the start of the write cycle to allow the outputs to tri-state.  $\overline{OE}$  is a don't care for the remainder of the write cycle.
- $\overline{OE}$  is asynchronous and is not sampled with the clock rise. It is masked internally during write cycles. During a read cycle all data bits are tri-state when  $\overline{OE}$  is inactive or when the device is deselected, and all data bits behave as output when  $\overline{OE}$  is active (LOW).

**Truth Table for Read/Write<sup>[2, 3]</sup>**

| Function                              | $\overline{GW}$ | $\overline{BWE}$ | $\overline{BW}_A$ | $\overline{BW}_B$ |
|---------------------------------------|-----------------|------------------|-------------------|-------------------|
| Read                                  | H               | H                | X                 | X                 |
| Read                                  | H               | L                | H                 | H                 |
| Write byte A - ( $DQ_A$ and $DQP_A$ ) | H               | L                | L                 | H                 |
| Write byte B- ( $DQ_B$ and $DQP_B$ )  | H               | L                | H                 | L                 |
| Write all bytes                       | H               | L                | L                 | L                 |
| Write all bytes                       | L               | X                | X                 | X                 |

**ZZ Mode Electrical Characteristics**

| Parameter   | Description                       | Test Conditions           | Min.       | Max.       | Unit |
|-------------|-----------------------------------|---------------------------|------------|------------|------|
| $I_{DDZZ}$  | Sleep mode standby current        | $ZZ \geq V_{DD} - 0.2V$   |            | 40         | mA   |
| $t_{ZZS}$   | Device operation to ZZ            | $ZZ \geq V_{DD} - 0.2V$   |            | $2t_{CYC}$ | ns   |
| $t_{ZZREC}$ | ZZ recovery time                  | $ZZ \leq 0.2V$            | $2t_{CYC}$ |            | ns   |
| $t_{ZZI}$   | ZZ Active to sleep current        | This parameter is sampled |            | $2t_{CYC}$ | ns   |
| $t_{RZZI}$  | ZZ inactive to exit sleep current | This parameter is sampled | 0          |            | ns   |



**Maximum Ratings**

(Above which the useful life may be impaired. For user guidelines, not tested.)

- Storage Temperature ..... -65°C to +150°
- Ambient Temperature with Power Applied.....-55°C to +125°C
- Supply Voltage on V<sub>DD</sub> Relative to GND..... -0.5V to +4.6V
- Supply Voltage on V<sub>DDQ</sub> Relative to GND ..... -0.5V to +V<sub>DD</sub>
- DC Voltage Applied to Outputs in tri-state ..... -0.5V to V<sub>DDQ</sub> +0.5V

- DC Input Voltage ..... -0.5V to V<sub>DD</sub>+0.5V
- Current into Outputs (LOW)..... 20 mA
- Static Discharge Voltage..... > 2001V (per MIL-STD-883, Method 3015)
- Latch-up Current..... > 200 mA

**Operating Range**

| Range | Ambient Temperature (T <sub>A</sub> ) | V <sub>DD</sub> | V <sub>DDQ</sub>           |
|-------|---------------------------------------|-----------------|----------------------------|
| Com'l | 0°C to +70°C                          | 3.3V -5%/+10%   | 2.5V-5% to V <sub>DD</sub> |
| Ind'l | -40°C to +85°C                        |                 |                            |

**Electrical Characteristics** Over the Operating Range<sup>[7, 8]</sup>

| Parameter           | Description                                 | Test Conditions   | Min.                  | Max.                   | Unit |
|---------------------|---|---|-----------------------|------------------------|------|
| V <sub>DD</sub>     | Power Supply Voltage                        |   | 3.135                 | 3.6                    | V    |
| V <sub>DDQ</sub>    | I/O Supply Voltage                          | for 3.3V I/O  | 3.135                 | V <sub>DD</sub>        | V    |
|                     |   | for 2.5V I/O  | 2.375                 | 2.625                  |      |
| V <sub>OH</sub>     | Output HIGH Voltage                         | for 3.3V I/O, I <sub>OH</sub> = -4.0 mA   | 2.4                   |                        | V    |
|                     |   | for 2.5V I/O, I <sub>OH</sub> = -1.0 mA   | 2.0                   |                        |      |
| V <sub>OL</sub>     | Output LOW Voltage                          | for 3.3V I/O, I <sub>OL</sub> = 8.0 mA  |                       | 0.4                    | V    |
|                     |   | for 2.5V I/O, I <sub>OL</sub> = 1.0 mA  |                       | 0.4                    |      |
| V <sub>IH</sub>     | Input HIGH Voltage <sup>[7]</sup>           | for 3.3V I/O  | 2.0                   | V <sub>DD</sub> + 0.3V | V    |
|                     |   | for 2.5V I/O  | 1.7                   | V <sub>DD</sub> + 0.3V | V    |
| V <sub>IL</sub>     | Input LOW Voltage <sup>[7]</sup>            | for 3.3V I/O  | -0.3                  | 0.8                    | V    |
|                     |   | for 2.5V I/O  | -0.3                  | 0.7                    | V    |
| I <sub>X</sub>      | Input Leakage Current except ZZ and MODE    | GND ≤ V <sub>I</sub> ≤ V <sub>DDQ</sub>   | -5                    | 5                      | µA   |
|                     | Input Current of MODE                       | Input = V <sub>SS</sub>   | -30                   |                        | µA   |
|                     |   | Input = V <sub>DD</sub>   |                       | 5                      | µA   |
| Input Current of ZZ | Input = V <sub>SS</sub>                     | -5  |                       | µA                     |      |
|                     | Input = V <sub>DD</sub>                     |   | 30                    | µA                     |      |
| I <sub>OZ</sub>     | Output Leakage Current                      | GND ≤ V <sub>I</sub> ≤ V <sub>DDQ</sub> , Output Disabled   | -5                    | 5                      | µA   |
| I <sub>DD</sub>     | V <sub>DD</sub> Operating Supply Current    | V <sub>DD</sub> = Max., I <sub>OUT</sub> = 0 mA, f = f <sub>MAX</sub> = 1/t <sub>CYC</sub>  | 6-ns cycle, 166 MHz   | 240                    | mA   |
|                     |   |   | 7.5-ns cycle, 133MHz  | 225                    | mA   |
| I <sub>SB1</sub>    | Automatic CS Power-down Current—TTL Inputs  | V <sub>DD</sub> = Max., Device Deselected, V <sub>IN</sub> ≥ V <sub>IH</sub> or V <sub>IN</sub> ≤ V <sub>IL</sub> , f = f <sub>MAX</sub> = 1/t <sub>CYC</sub> | 6-ns cycle, 166 MHz   | 100                    | mA   |
|                     |   |   | 7.5-ns cycle, 133MHz  | 90                     | mA   |
| I <sub>SB2</sub>    | Automatic CS Power-down Current—CMOS Inputs | V <sub>DD</sub> = Max., Device Deselected, V <sub>IN</sub> ≤ 0.3V or V <sub>IN</sub> ≥ V <sub>DDQ</sub> - 0.3V, f = 0   |                       | 40                     | mA   |
| I <sub>SB3</sub>    | Automatic CS Power-down Current—CMOS Inputs | V <sub>DD</sub> = Max., Device Deselected, or V <sub>IN</sub> ≤ 0.3V or V <sub>IN</sub> ≥ V <sub>DDQ</sub> - 0.3V, f = f <sub>MAX</sub> = 1/t <sub>CYC</sub>  | 6.0-ns cycle, 166 MHz | 85                     | mA   |
|                     |   |   | 7.5-ns cycle, 133MHz  | 75                     | mA   |
| I <sub>SB4</sub>    | Automatic CS Power-down Current—TTL Inputs  | V <sub>DD</sub> = Max., Device Deselected, V <sub>IN</sub> ≥ V <sub>IH</sub> or V <sub>IN</sub> ≤ V <sub>IL</sub> , f = 0                                     |                       | 45                     | mA   |

**Notes:**

- 7. Overshoot: V<sub>IH</sub>(AC) < V<sub>DD</sub> +1.5V (Pulse width less than t<sub>CYC</sub>/2), undershoot: V<sub>IL</sub>(AC) > -2V (Pulse width less than t<sub>CYC</sub>/2).
- 8. Power-up: Assumes a linear ramp from 0V to V<sub>DD</sub>(min.) within 200 ms. During this time V<sub>IH</sub> < V<sub>DD</sub> and V<sub>DDQ</sub> ≤ V<sub>DD</sub>.



**Capacitance<sup>[9]</sup>**

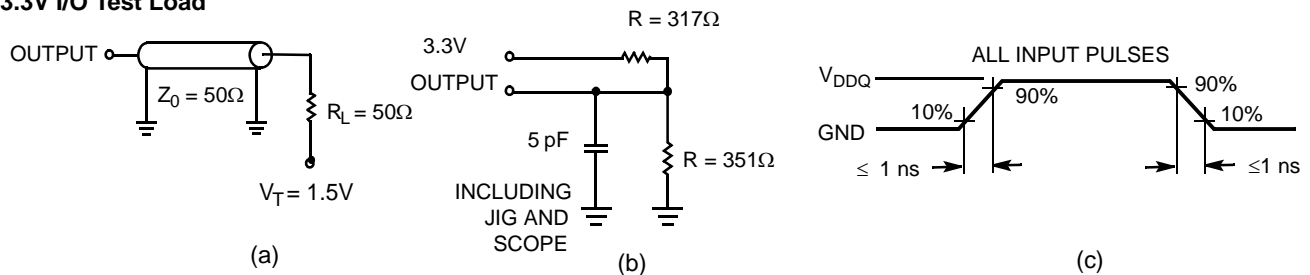
| Parameter | Description              | Test Conditions  | 100 TQFP Max. | Unit |
|-----------|--------------------------|--|---------------|------|
| $C_{IN}$  | Input Capacitance        | $T_A = 25^\circ\text{C}$ , $f = 1\text{ MHz}$ ,<br>$V_{DD} = 3.3\text{V}$<br>$V_{DDQ} = 2.5\text{V}$ | 5             | pF   |
| $C_{CLK}$ | Clock Input Capacitance  |  | 5             | pF   |
| $C_{I/O}$ | Input/Output Capacitance |  | 5             | pF   |

**Thermal Characteristics<sup>[9]</sup>**

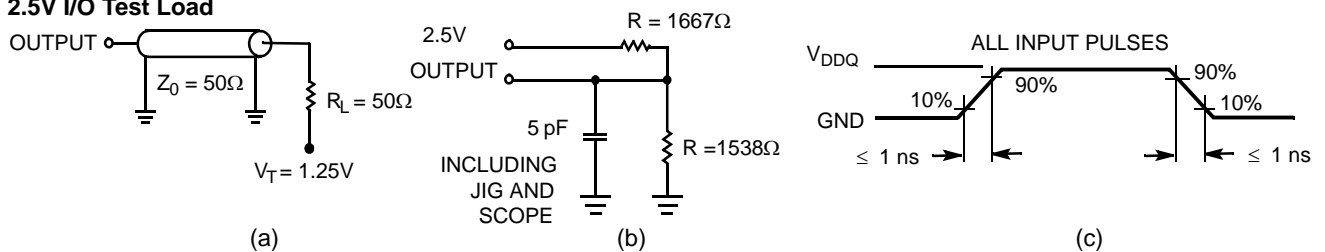
| Parameter     | Description                              | Test Conditions   | 100 TQFP Package | Unit               |
|---------------|--|---|------------------|--------------------|
| $\Theta_{JA}$ | Thermal Resistance (Junction to Ambient) | Test conditions follow standard test methods and procedures for measuring thermal impedance, per EIA/JESD51 | 30.32            | $^\circ\text{C/W}$ |
| $\Theta_{JC}$ | Thermal Resistance (Junction to case)    |   | 6.85             | $^\circ\text{C/W}$ |

**AC Test Loads and Waveforms**

**3.3V I/O Test Load**



**2.5V I/O Test Load**



**Note:**

9. Tested initially and after any design or process change that may affect these parameters.

**Switching Characteristics** Over the Operating Range [14, 15]

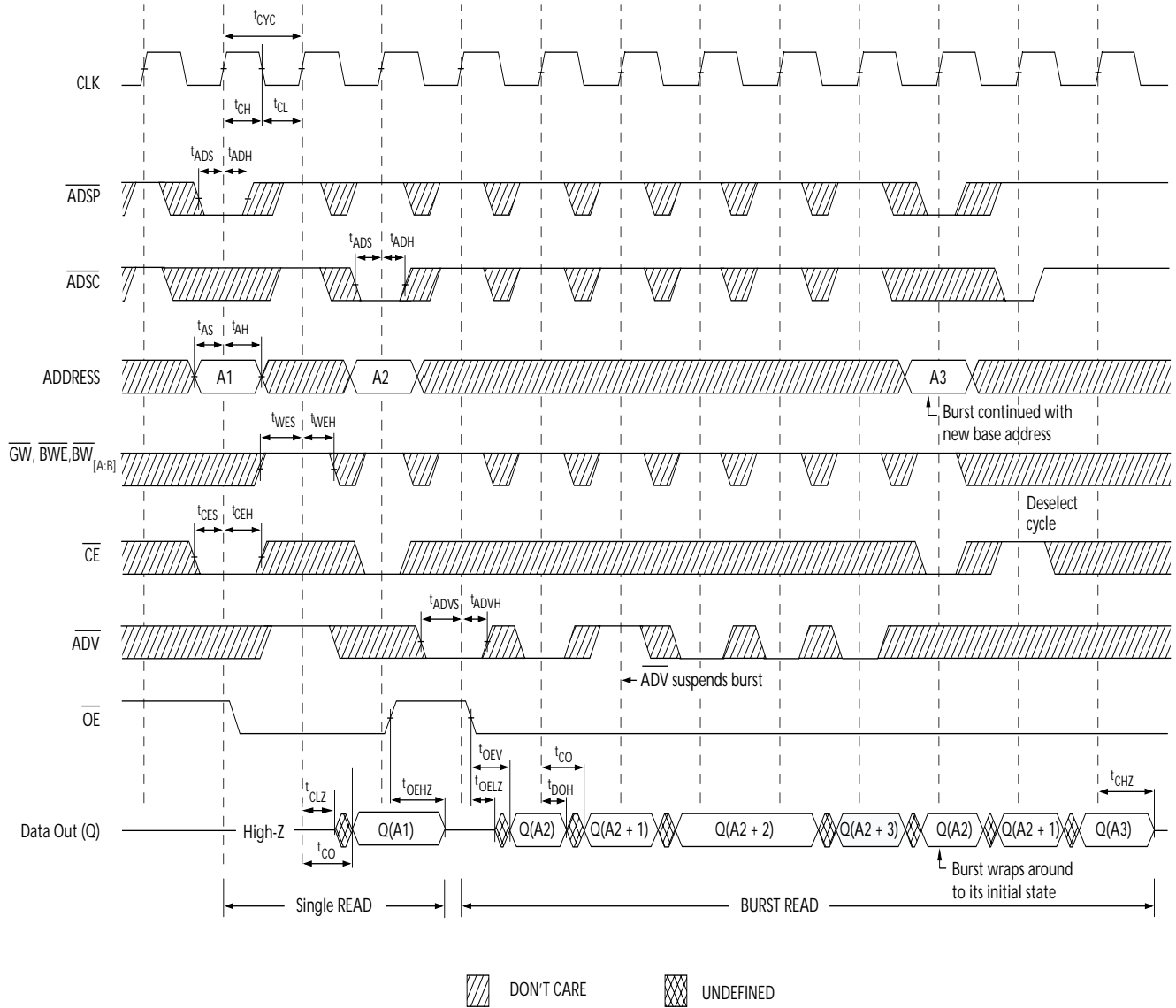
| Parameter           | Description   | 166 MHz |      | 133 MHz |      | Unit |
|---------------------|---|---------|------|---------|------|------|
|                     |   | Min.    | Max. | Min.    | Max. |      |
| t <sub>POWER</sub>  | V <sub>DD</sub> (Typical) to the first Access <sup>[10]</sup>                       | 1       |      | 1       |      | ms   |
| <b>Clock</b>        |   |         |      |         |      |      |
| t <sub>CYC</sub>    | Clock Cycle Time  | 6.0     |      | 7.5     |      | ns   |
| t <sub>CH</sub>     | Clock HIGH  | 2.5     |      | 3.0     |      | ns   |
| t <sub>CL</sub>     | Clock LOW   | 2.5     |      | 3.0     |      | ns   |
| <b>Output Times</b> |   |         |      |         |      |      |
| t <sub>CO</sub>     | Data Output Valid After CLK Rise  |         | 3.5  |         | 4.0  | ns   |
| t <sub>DOH</sub>    | Data Output Hold After CLK Rise   | 1.5     |      | 1.5     |      | ns   |
| t <sub>CLZ</sub>    | Clock to Low-Z <sup>[11, 12, 13]</sup>  | 0       |      | 0       |      | ns   |
| t <sub>CHZ</sub>    | Clock to High-Z <sup>[11, 12, 13]</sup>   |         | 3.5  |         | 4.0  | ns   |
| t <sub>OEV</sub>    | $\overline{OE}$ LOW to Output Valid   |         | 3.5  |         | 4.0  | ns   |
| t <sub>OELZ</sub>   | $\overline{OE}$ LOW to Output Low-Z <sup>[11, 12, 13]</sup>                         | 0       |      | 0       |      | ns   |
| t <sub>OEHZ</sub>   | $\overline{OE}$ HIGH to Output High-Z <sup>[11, 12, 13]</sup>                       |         | 3.5  |         | 4.0  | ns   |
| <b>Set-up Times</b> |   |         |      |         |      |      |
| t <sub>AS</sub>     | Address Set-up Before CLK Rise  | 1.5     |      | 1.5     |      | ns   |
| t <sub>ADS</sub>    | $\overline{ADSC}$ , $\overline{ADSP}$ Set-up Before CLK Rise                        | 1.5     |      | 1.5     |      | ns   |
| t <sub>ADVS</sub>   | $\overline{ADV}$ Set-up Before CLK Rise   | 1.5     |      | 1.5     |      | ns   |
| t <sub>WES</sub>    | $\overline{GW}$ , $\overline{BWE}$ , $\overline{BW}_{[A:B]}$ Set-up Before CLK Rise | 1.5     |      | 1.5     |      | ns   |
| t <sub>DS</sub>     | Data Input Set-up Before CLK Rise   | 1.5     |      | 1.5     |      | ns   |
| t <sub>CES</sub>    | Chip Enable Set-up Before CLK Rise  | 1.5     |      | 1.5     |      | ns   |
| <b>Hold Times</b>   |   |         |      |         |      |      |
| t <sub>AH</sub>     | Address Hold After CLK Rise   | 0.5     |      | 0.5     |      | ns   |
| t <sub>ADH</sub>    | $\overline{ADSP}$ , $\overline{ADSC}$ Hold After CLK Rise                           | 0.5     |      | 0.5     |      | ns   |
| t <sub>ADVH</sub>   | $\overline{ADV}$ Hold After CLK Rise  | 0.5     |      | 0.5     |      | ns   |
| t <sub>WEH</sub>    | $\overline{GW}$ , $\overline{BWE}$ , $\overline{BW}_{[A:B]}$ Hold After CLK Rise    | 0.5     |      | 0.5     |      | ns   |
| t <sub>DH</sub>     | Data Input Hold After CLK Rise  | 0.5     |      | 0.5     |      | ns   |
| t <sub>CEH</sub>    | Chip Enable Hold After CLK Rise   | 0.5     |      | 0.5     |      | ns   |

**Notes:**

10. This part has a voltage regulator internally; t<sub>POWER</sub> is the time that the power needs to be supplied above V<sub>DD</sub> minimum initially before a read or write operation can be initiated.
11. t<sub>CHZ</sub>, t<sub>CLZ</sub>, t<sub>OELZ</sub>, and t<sub>OEHZ</sub> are specified with AC test conditions shown in part (b) of AC Test Loads. Transition is measured ± 200 mV from steady-state voltage.
12. At any given voltage and temperature, t<sub>OEHZ</sub> is less than t<sub>OELZ</sub> and t<sub>CHZ</sub> is less than t<sub>CLZ</sub> to eliminate bus contention between SRAMs when sharing the same data bus. These specifications do not imply a bus contention condition, but reflect parameters guaranteed over worst case user conditions. Device is designed to achieve High-Z prior to Low-Z under the same system conditions.
13. This parameter is sampled and not 100% tested.
14. Timing reference level is 1.5V when V<sub>DDQ</sub> = 3.3V and 1.25V when V<sub>DDQ</sub> = 2.5V.
15. Test conditions shown in (a) of AC Test Loads unless otherwise noted.

Switching Waveforms

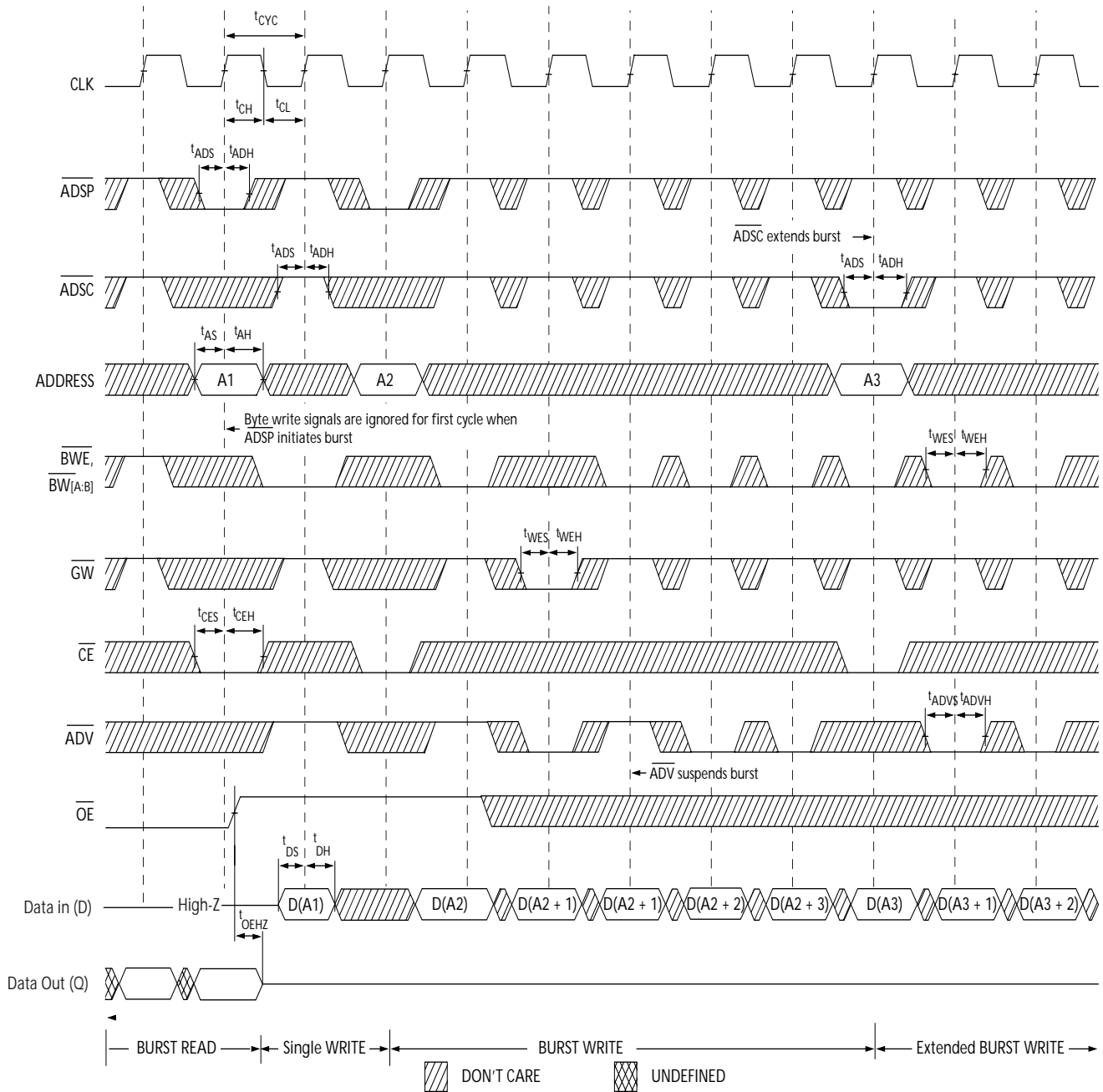
Read Timing<sup>[16]</sup>



Note:  
 16. On this diagram, when  $\overline{CE}$  is LOW,  $\overline{CE}_1$  is LOW,  $CE_2$  is HIGH and  $\overline{CE}_3$  is LOW. When  $\overline{CE}$  is HIGH,  $\overline{CE}_1$  is HIGH or  $CE_2$  is LOW or  $\overline{CE}_3$  is HIGH.

Switching Waveforms (continued)

Write Timing<sup>[16, 17]</sup>

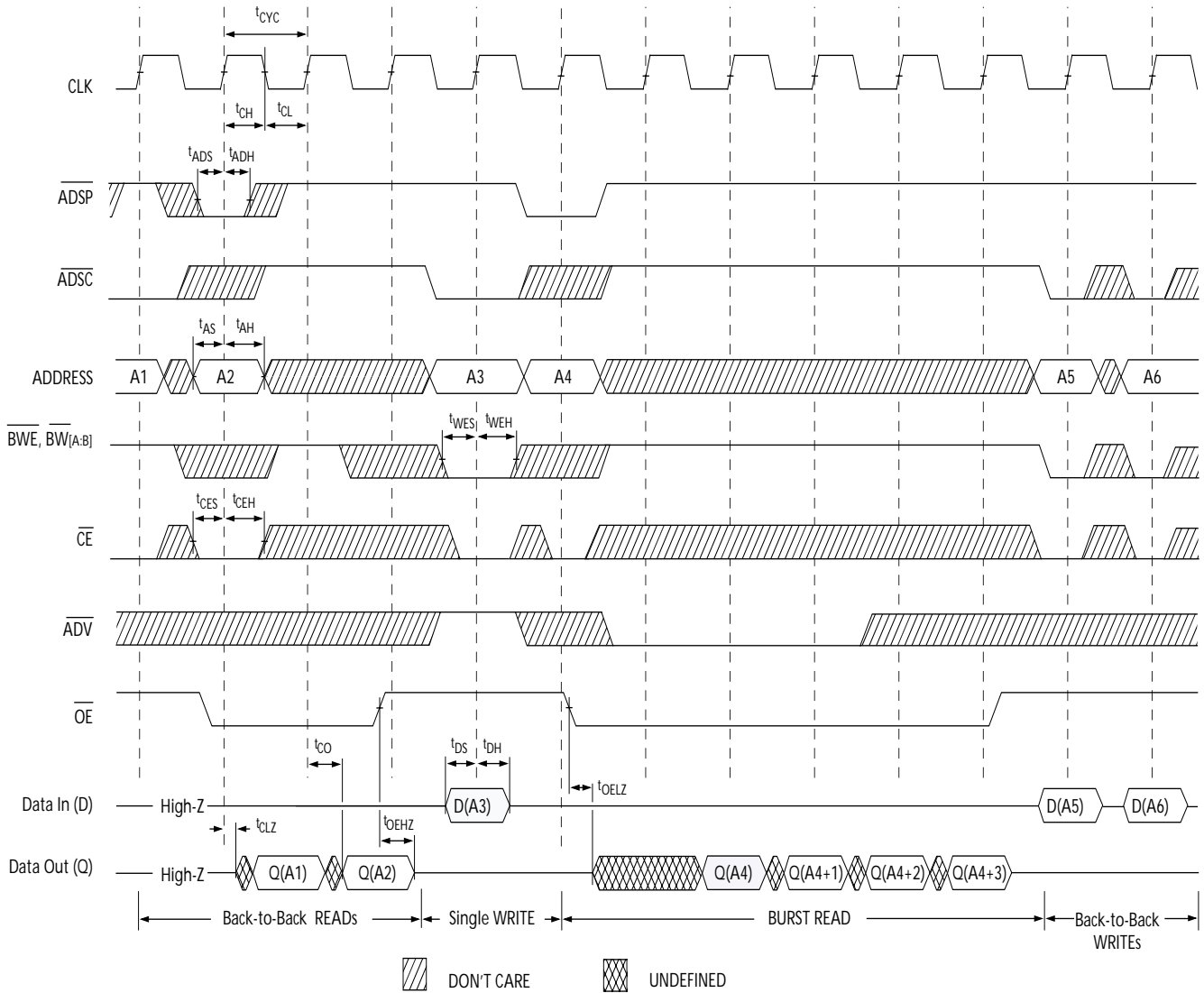


Note:

17. Full width write can be initiated by either  $\overline{GW}$  LOW; or by  $\overline{GW}$  HIGH,  $\overline{BWE}$  LOW and  $\overline{BW}_{[A:B]}$  LOW.

Switching Waveforms (continued)

Read/Write Timing<sup>[16, 18, 19]</sup>

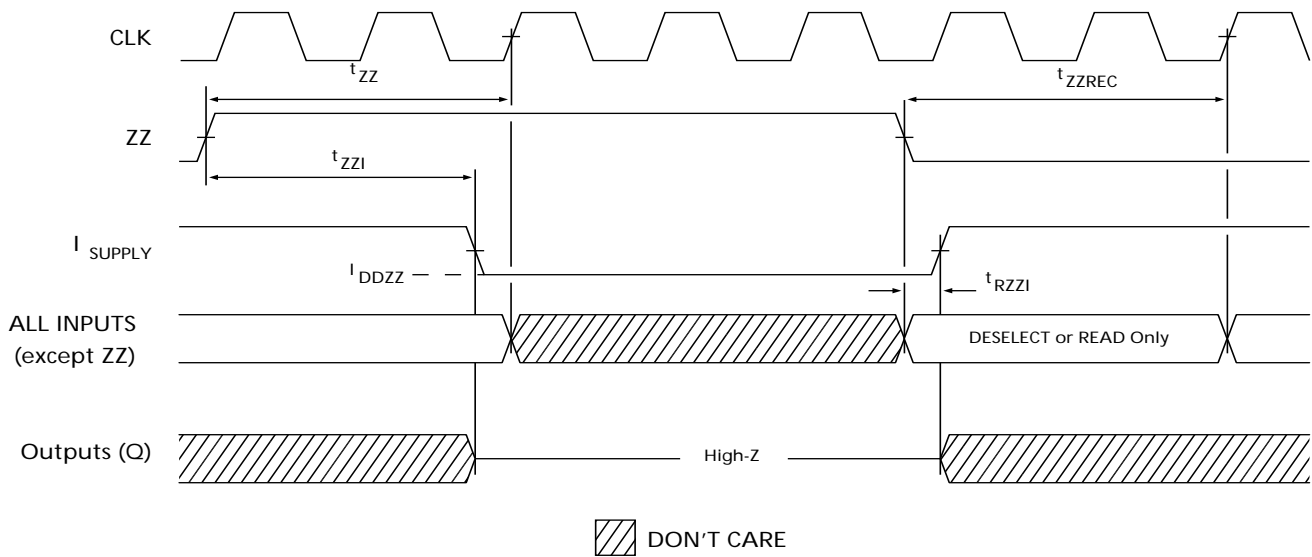


Notes:

- 18. The data bus (Q) remains in High-Z following a Write cycle, unless a new read access initiated by  $\overline{ADSC}$  or  $\overline{ADSP}$ .
- 19.  $\overline{GW}$  is HIGH.

Switching Waveforms (continued)

ZZ Mode Timing [20,21]



Notes:

- 20. Device must be deselected when entering ZZ mode. See truth table for all possible signal conditions to deselect the device.
- 21. DQs are in High-Z when exiting ZZ sleep mode.

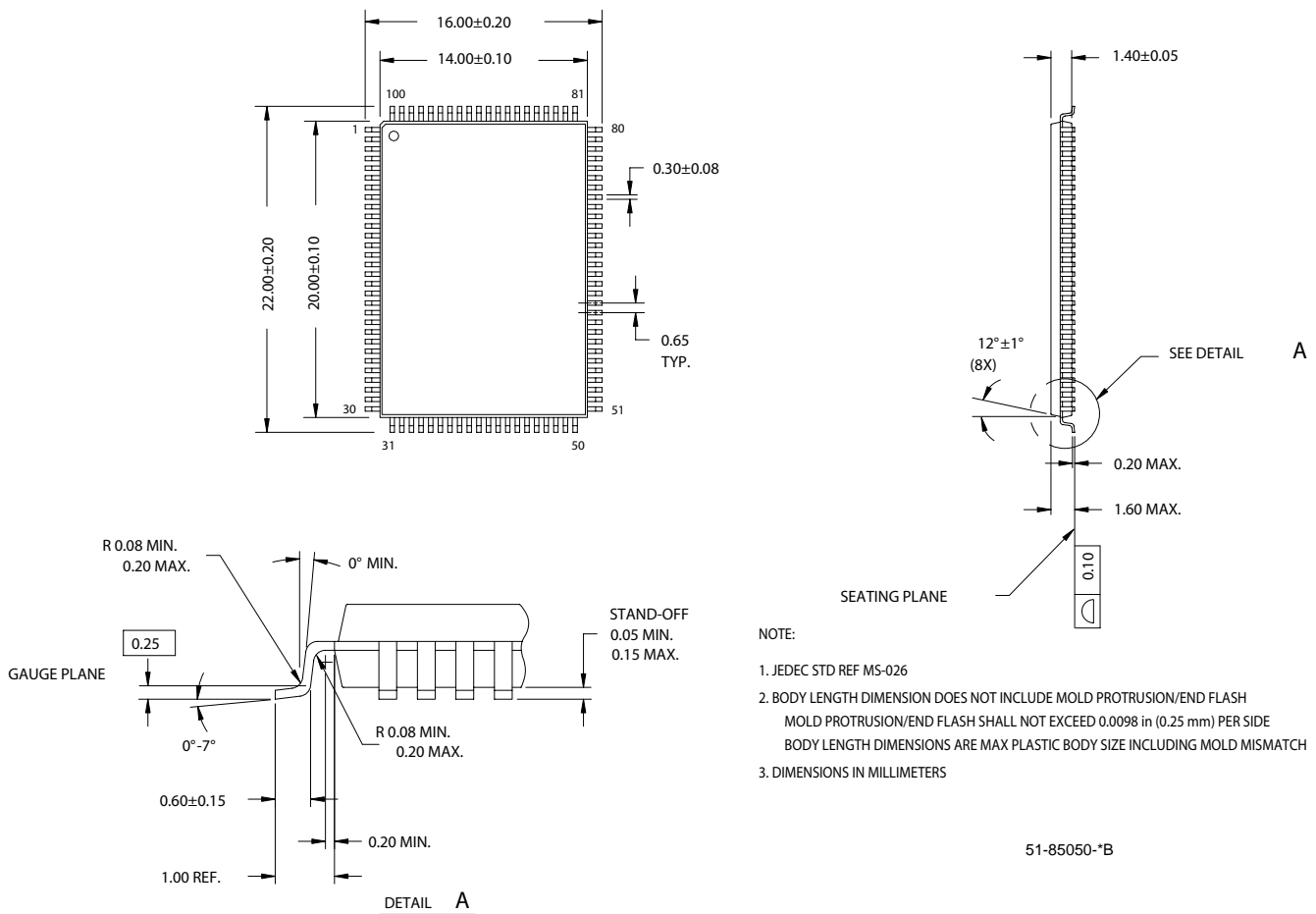
**Ordering Information**

“Not all of the speed, package and temperature ranges are available. Please contact your local sales representative or visit [www.cypress.com](http://www.cypress.com) for actual products offered”.

| Speed (MHz) | Ordering Code    | Package Diagram | Package Type   | Operating Range |
|-------------|------------------|-----------------|--|-----------------|
| 166         | CY7C1223H-166AXC | 51-85050        | 100-pin Thin Quad Flat Pack (14 x 20 x 1.4 mm) Lead-Free | Commercial      |
|             | CY7C1223H-166AXI | 51-85050        | 100-pin Thin Quad Flat Pack (14 x 20 x 1.4 mm) Lead-Free | Industrial      |
| 133         | CY7C1223H-133AXC | 51-85050        | 100-pin Thin Quad Flat Pack (14 x 20 x 1.4 mm) Lead-Free | Commercial      |
|             | CY7C1223H-133AXI | 51-85050        | 100-pin Thin Quad Flat Pack (14 x 20 x 1.4 mm) Lead-Free | Industrial      |

**Package Diagram**

**100-pin TQFP (14 x 20 x 1.4 mm) (51-85050)**



Intel and Pentium are registered trademarks, and i486 is a trademark, of Intel Corporation. PowerPC is a registered trademark of IBM. All product and company names mentioned in this document are the trademarks of their respective holders.



**Document History Page**

| Document Title: CY7C1223H 2-Mbit (128K x 18) Pipelined DCD Sync SRAM<br>Document Number: 38-05674 |         |            |                 |   |
|---|---------|------------|-----------------|---|
| REV.  | ECN NO. | Issue Date | Orig. of Change | Description of Change   |
| **  | 347357  | See ECN    | PCI             | New Data Sheet  |
| *A  | 424820  | See ECN    | R XU            | Changed address of Cypress Semiconductor Corporation on Page# 1 from "3901 North First Street" to "198 Champion Court"<br>Changed Three-State to Tri-State.<br>Modified "Input Load" to "Input Leakage Current except ZZ and MODE" in the Electrical Characteristics Table.<br>Modified test condition from $V_{IH} \leq V_{DD}$ to $V_{IH} < V_{DD}$<br>Replaced Package Name column with Package Diagram in the Ordering Information table.<br>Replaced Package Diagram of 51-85050 from *A to *B |
| *B  | 459347  | See ECN    | NXR             | Converted from Preliminary to Final<br>Included 2.5V I/O option<br>Updated the Ordering Information table.  |

## Free Manuals Download Website

<http://myh66.com>

<http://usermanuals.us>

<http://www.somanuals.com>

<http://www.4manuals.cc>

<http://www.manual-lib.com>

<http://www.404manual.com>

<http://www.luxmanual.com>

<http://aubethermostatmanual.com>

Golf course search by state

<http://golfingnear.com>

Email search by domain

<http://emailbydomain.com>

Auto manuals search

<http://auto.somanuals.com>

TV manuals search

<http://tv.somanuals.com>