



LIMITED WARRANTY

DB Drive warrants any products purchased in the U.S.A. from an authorized DB Drive dealer. All products are warranted to be free from defects in material and workmanship under normal use and service for a period of one (1) year. This warranty applies to the original purchase only.

DB Drive will either repair or replace (as its option) any unit that has been found to be defective and under warranty provided the defect occurs within the one (1) year warranty period.

This limited warranty does not extend to units have been subjected to misuse, abuse, neglect, or accident. In DB Drive's judgment, products that show evidence of having been altered, modified, or serviced without DB Drive's authorization, will be ineligible under this warranty.

To obtain warranty service please contact your retailer or visit our website at www.dbdrive.net for more details.



OKUR

Installation Instructions / Owner's Manual

MODEL

E5 BE
BASS ENHANCER

Tel : 956-428-4263 Fax : 956-421-4513
www.dbdrive.net



DB Research L.L.P.

302 Hanmore Industrial Parkway // Harlingen, TX 78550
ph: 877.787.0101 // fx: 956.421.4513 // www.dbdrive.net

TROUBLE SHOOTING GUIDE

If the Unit does not turn on, and/or the power indicator LED is NOT illuminated, do this:

- 1) Check and make sure that B+ and GND are not reversed
- 2) Check that all power wires are properly connected and have the appropriate potential (11 - 16 volts)
- 3) Check that the fuse is intact.

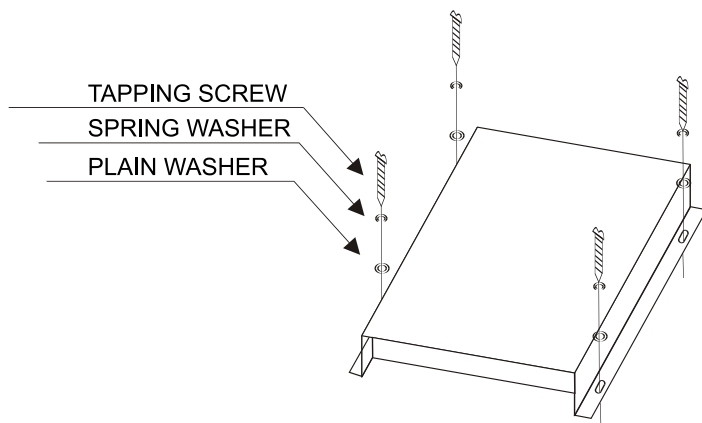
If you experience high audible distortion or low output volume:

- 4) Check that the input and output levels are set correctly. Input should match the source and output should match the sensitivity of the host.
- 5) Check the crossover settings, make sure they're correct; for high "Q" systems set it to 1 octave or more.

If you experience whining or engine noises:

- 6) Verify that the GND connection is secure, the conductor (wire) is not too thin and unnecessarily long.
- 7) Check that the B+ wire is not too thin and unnecessarily long.
- 8) Change the power source; try taking power from a different point.

INSTALLATION



INTRODUCTION

Congratulations on purchasing the E5 BE, you are now the proud owner of the finest and most accurate bass enhancing & restoration system available.

Whether your interest is in Beethoven's kettle drums, in Miles Davis' trumpet or in the percussion of Rap lyrics, the E5 BE would restore the long lost bass notes, with amazing accuracy and clarity.

There's a dash mount level control unit which permits instant adjustments; whether it's because your passenger is not as much a "bass-head" as you are or for whatever reason you want to turn it down a bit, this handy knob does the trick.

FEATURES

BASS Driver: The E5 BE contains a Bass Driver circuit that accurately recreates and injects Low frequency information back into the signal path. What that means in everyday terms is that the Bass Booster will give more bass impact to your best compact discs or even your old tapes.

Bass Equalization Circuit: The E5 BE has a unique equalization circuit that contours the restored bass to your speaker systems.

Dash Mount Remote Control: The E5 BE comes with a dash mountable remote control that allows you to enjoy the effects of the E5 BE without having to leave the driver's seat. The dash mount control has a LED indicator; this LED will glow brighter as you add more bass or dimmer when you decrease it.

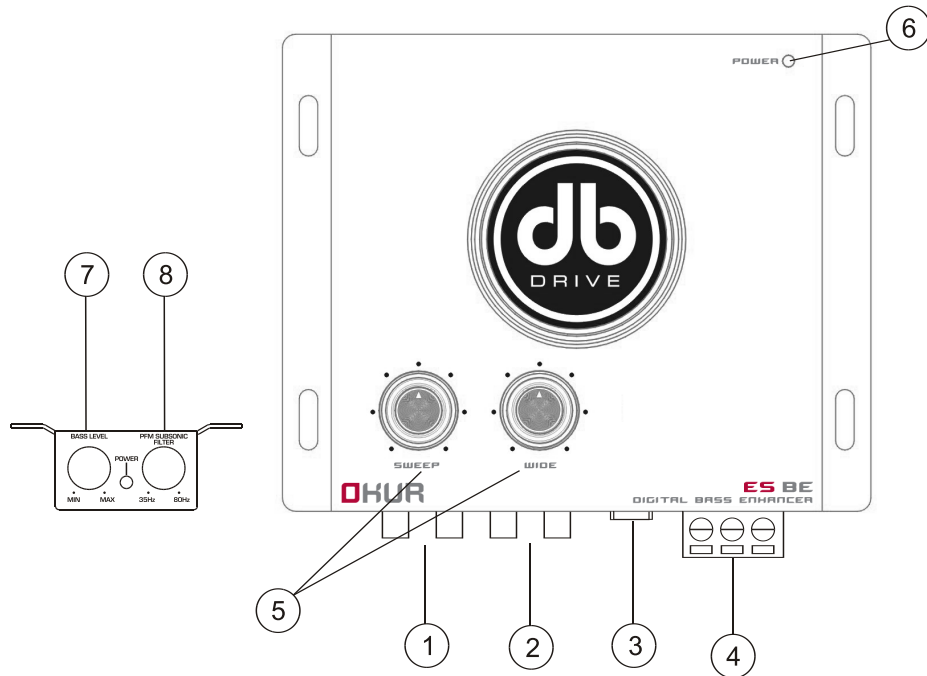
Bass Maximizer Indicator: Not only does the E5 BE provide good music to your ears, but it also gives you some visual enjoyment as well. On the chassis of the E5 BE there is one LED that indicates that the system is on.

PFM Subsonic Filter Switch: This unique feature is legendary with its ability to fine tune the bass response of any system, why waste power on nasty subsonic information when the PFM Subsonic Filter Switch can help you clean things up?

Bass Output Control: The E5 BE has the ability to produce large amounts of deep, mind shattering bass without damaging your speakers. The Bass Output Control circuit allows the E5 BE to maximize the bass output of any auto sound audio system while restraining destructive bursts.

FUNCTIONS

THE OUTSIDE



- 1. Inputs:** The inputs of the E5 BE use a balanced input circuit to help minimize induced noise. They are also designed to handle very high signal voltage, up to 15 volts.
- 2. Outputs:** These RCA connectors should be connected to the next component after the E5 BE as a crossover, equalizer, or amplifier. Just remember, the E5 BE should go inline before a crossover.
- 3. Dash Remote Control**
- 4. Power Connector**
- 5. BASS Controls:** These 2 knobs control the Bass functions of the E5 BE. The SWEEP knob allows you to pick the center frequency that you want the E5 BE bass restoration circuit to maximize. The WIDE knob adjusts how wide of a frequency range the E5 BE will affect.
- 6. Power on LED**
- 7. SUB VOLUME CONTROL**
- 8. Dash Subsonic Control:** This knob controls the subsonic frequency from 35 Hz to 80 Hz.

Adjusting the Bass Controls

The bass response in a system is affected by four factors:

- (1) The acoustics of the vehicle
- (2) The locations of the speakers
- (3) The music on the tape
- (4) Speakers and speaker enclosures.

Because of the variations in the recording process, we developed the E5 BE to restore any low frequencies lost during the recording process; however, the acoustics of various environments are different.

The **Sweep** control allows you to select a center frequency (the frequency most affected) between 27 and 63 Hz. The **width** controls them to allow you to control the shape of the filter centered on the **sweep** frequency.

Setting the Bass Output Control

The E5 BE is a powerful bass processor. This device is equipped with several output voltage selections, if you should need to change the settings, please use the chart below for guidance as recommended list to the factory setting before changing your Bass Output settings.

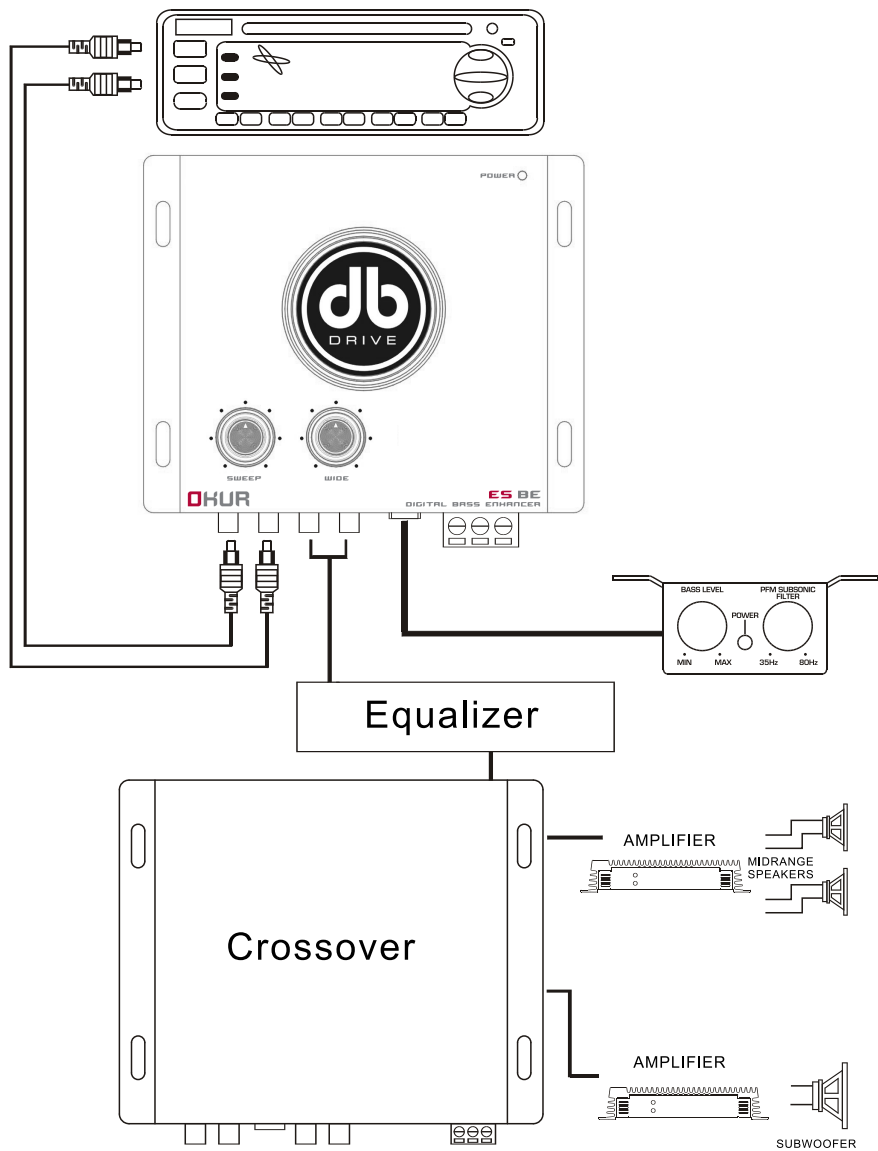
Recommended Settings

Setting	Amplifier Input Voltage	Minimum Speaker Size
2.5 Volts	3.0 Volts or less	8"
5.0 Volts	5.0 Volts or less	10"
7.5 Volts	7.5 Volts or less	15"
10 Volts	10 Volts	15"

SPECIFICATIONS

Maximum Input Level.....	15V rms
Maximum Output Level.....	13.2V peak
Frequency Response.....	10 Hz - 35 KHz
T.H.D.....	0.0025%
Signal to Noise Ratio.....	133 dB
Balanced Input Noise Rejection.....	>62 dB
Input Impedance.....	10K ohms
Output Impedance.....	150 ohms
Power Supply.....	High headroom PWM
Power Draw.....	150mA

SIGNAL CONNECTION

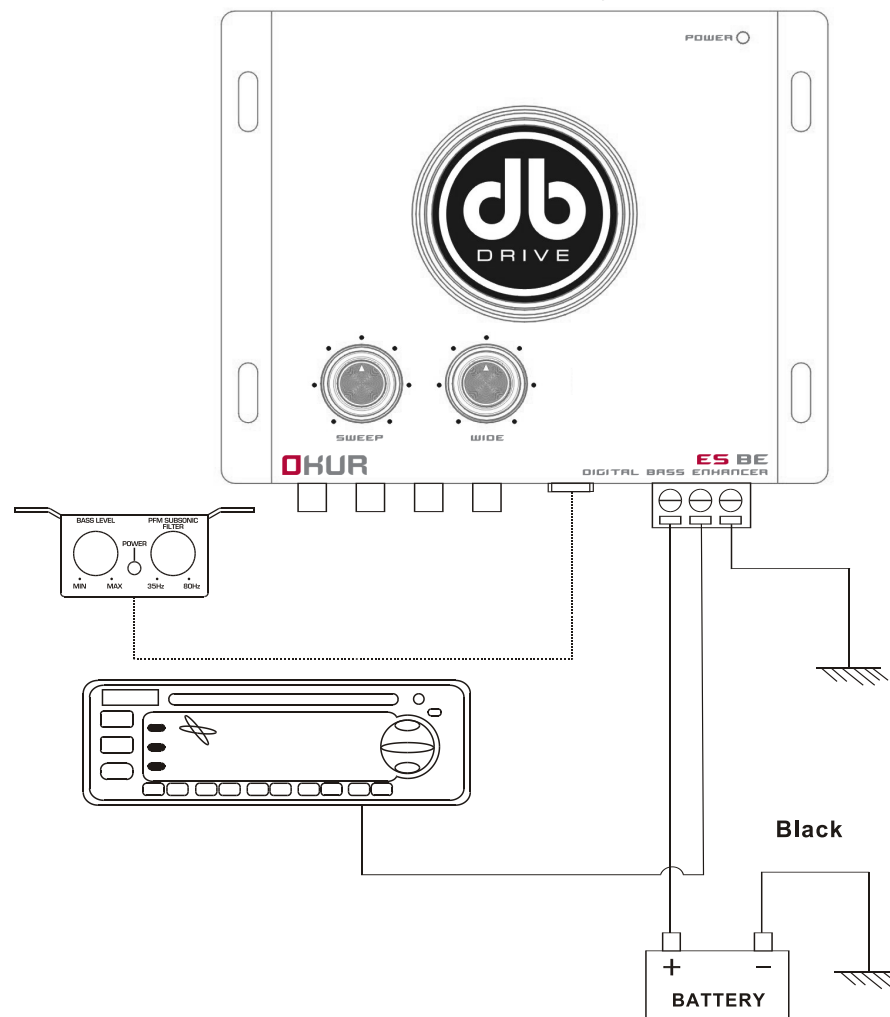


Note: For signal connection, the output RCA connectors should be connected to the next component after the E5 BE, such as a crossover, equalizer, or amplifier, just remember, the E5 BE should go inline before a crossover.

ELECTRONIC CONNECTIONS & WIRING

Power connection

- B+(12V):** Connect a red wire to the car battery of other power source.
- REMOTE:** Connect an orange wire to remote activation (12V DC) wire of car stereo or equalizer.
- GND:** Connect a black wire to the car chassis for ground connection.



Free Manuals Download Website

<http://myh66.com>

<http://usermanuals.us>

<http://www.somanuals.com>

<http://www.4manuals.cc>

<http://www.manual-lib.com>

<http://www.404manual.com>

<http://www.luxmanual.com>

<http://aubethermostatmanual.com>

Golf course search by state

<http://golfingnear.com>

Email search by domain

<http://emailbydomain.com>

Auto manuals search

<http://auto.somanuals.com>

TV manuals search

<http://tv.somanuals.com>