


TEN YEAR LIMITED WARRANTY

DCM Enclosed Loudspeaker Systems are guaranteed against defects in parts and workmanship for a period of ten (10) years from the date of purchase. Speakers found defective during that period will be repaired by DCM without charge for parts. This warranty extends to the original purchaser from an authorized DCM retailer only.

This warranty does not extend to equipment damage due to negligence, misuse, improper installation, shipping damage, abuse or accident. This warranty is void if it is determined that unauthorized parties have attempted repairs or alterations of any nature.

Defective parts will be repaired, adjusted or replaced with no charge for materials or labor if the purchaser returns the speaker together with the original sales receipt or other proof of purchase at the purchaser's expense to DCM, 282 Carver Street, Winslow, IL. 61089. No implied warranties shall extend beyond ten years from the original date of purchase. Incidental and consequential damages are expressly excluded from this warranty and may not be recovered by a purchaser as a result of breach of any warranty.

The attached warranty card must be filled out and mailed within 10 days of purchase to validate warranty. Retain the top portion for your records. Specifications subject to change without notice.

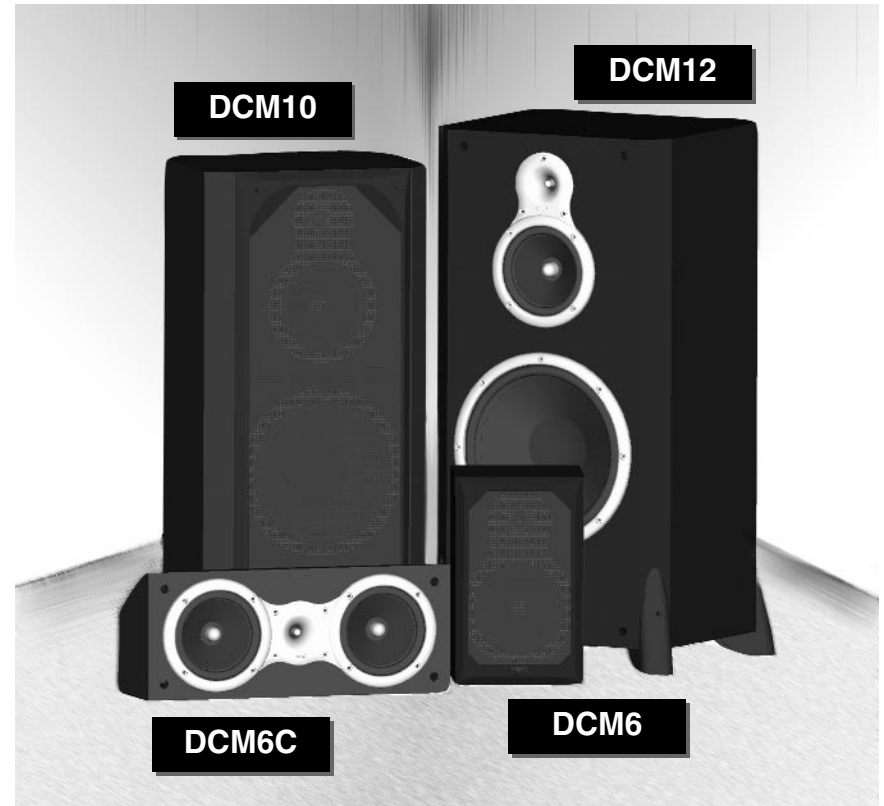


FIRST
CLASS
STAMP
HERE

DCM
 7676 S. 46th Street
 PHOENIX AZ 85040-6400

DCM

LOUDSPEAKERS



OWNERS MANUAL



INTRODUCTION

Congratulations on your purchase of DCM Loudspeakers. Your new speakers represent the latest technologies in loudspeaker design and manufacturing. They will provide outstanding performance and years of listening enjoyment. Please take time to read through this manual thoroughly to insure you get maximum performance out of your new loudspeakers.

FEATURES

- Video shielding for placement near a TV or monitor
- Extended bandwidth constant directivity horn loaded tweeter
- Polypropylene cone midrange with pole mounted phase plug
- Large excursion, pulp cone woofer (DCM10, DCM12) with extended, vented pole piece for improved power handling
- Internally braced cabinets using Modal Reduction Technology (MRT)
- Down firing ports with large radius flare.
- Nickel-plated 5-way binding posts mounted on the bottom of the cabinet (DCM10, DCM12)
- Mid/high frequency protection circuitry (DCM10, DCM12)

SPEAKER PLACEMENT

MAIN LEFT AND RIGHT CHANNELS

DCM6, DCM10, DCM12

All DCM Loudspeakers have been engineered to combine deep powerful bass with crisp, natural high frequency performance. Because there are many factors that affect loudspeaker performance, there is no universal rule for speaker location. Best results will be obtained with some experimentation using the following guidelines.

To achieve the most realistic stereo image, position the speakers so that an equilateral triangle is formed between the speakers and the listening position (Figure 1). Turning the speakers slightly towards the listening position can improve the image focus.

Bass loudness can be increased by moving the speakers closer to the rear wall. This sometimes can degrade the stereo image. Use your judgement as to what location best fits your preferences.

SURROUND LEFT AND RIGHT CHANNELS

DCM6

If you are using the DCM6 for rear channel speakers in a home theater application they should be placed on the side walls and slightly behind the listening position (Figure 1). If this is not practical, they can be placed on the rear wall to either side of the listening position (Figure 2). For best results, the surround speakers

CARE AND MAINTENANCE

Your speakers are designed to work with a wide range of electronic components. As little as 20 watts per channel can provide enough power for most applications. If you have a large room or prefer louder listening levels, more power may be required.

Caution: When choosing an amplifier, do not exceed the power rating of the speaker. If you hear very high levels of audible distortion you are exceeding the capabilities of the system. Damage can occur from this distortion, turn the volume back down until the distortion disappears.

Use the following guidelines to maintain the appearance of your speakers. Use a soft, damp cloth to clean the speaker cabinet. Avoid using harsh detergents or cleaning fluids. Remove the grills to vacuum and remove dust. Do not vacuum any of the speaker components, permanent damage could occur.

TECHNICAL ASSISTANCE

For additional technical assistance you can visit our website at www.dcmspeakers.com. Otherwise, our technical service representatives can be reached by phone: 1-877-DCM-LOUD or by email: jjener@dcmspeakers.com.

(This registration must be filled out and mailed within 10 days of purchase to validate warranty.)

WARRANTY REGISTRATION

MODEL# _____

NAME _____

STREET _____

CITY _____ STATE _____ ZIP _____

DATE PURCHASED _____

PLACE PURCHASED _____

Purchased as a: Packaged System () Replacement System ()
 Speakers Only () Extension Speakers ()

If replacement, what is the name and model number of the system replaced?
Name _____ Model# _____

What other Brands did you consider? _____

Why did you purchase DCM speakers?
Sound () Price () Dealer Recommendation () Other ()

Comments _____

SPECIFICATIONS

DCM6

Driver Compliment

Woofer- 6-1/2" polypropylene cone with pole mounted phase plug

Tweeter- 1.8kHz constant directivity Horn Loaded

Frequency Response: 58Hz - 20kHz

Impedance: 8 ohms nominal

Power Handling: 75 watts RMS / 150 watts total

Sensitivity: 89dB 1W/1m

Shipping Weight: 17.0 lbs. / 7.7kg

Dimensions: 12.992" H x 7.992" W x 7.795" D
33.0cm H x 20.3cm W x 19.8cm D

DCM6C

Driver Compliment

Woofer- 6-1/2" polypropylene cone with pole mounted phase plug

Passive Radiator- 6-1/2" polypropylene cone with pole mounted phase plug

Tweeter- 1.8kHz constant directivity Horn

Frequency Response: 58Hz - 20kHz

Impedance: 8 ohms nominal

Power Handling: 75 watts RMS /150 watts total

Sensitivity: 91dB 1W/1m

Shipping Weight: 11.0 lbs. / 5.0kg

Dimensions: 7.992" H x 19.685" W x 7.204" D
20.3cm H x 50.0cm W x 18.3cm D

DCM10

Driver Compliment

Woofer- 10" large excursion composite pulp cone

Midrange- 6-1/2" polypropylene cone with pole mounted phase plug

Tweeter- 1.8kHz constant directivity Horn Loaded

Frequency Response: 35Hz - 20kHz

Impedance: 8 ohms nominal

Power Handling: 200 watts RMS / 400 watts total

Sensitivity: 94dB 1W/1m

Shipping Weight 43.0 lbs. / 19.5kg

Dimensions: 31.312" H x 15.825" W x 12.501" D
79.5cm H x 40.2 cm W x 31.8 cm D

DCM12

Driver Compliment

Woofer- 12" large excursion composite pulp cone

Midrange- 6-1/2" polypropylene cone with pole mounted phase plug

Tweeter- 1.8kHz constant directivity Horn Loaded

Frequency Response: 30Hz - 20kHz

Impedance: 8 ohms nominal

Power Handling: 250 watts RMS / 500 watts total

Sensitivity: 97dB 1W/1m

Shipping Weight: 53.0 lbs. / 24.1kg

Dimensions: 33.312" H x 17.638" W x 15.938" D
84.6cm H x 44.8cm W x 40.5cm

should be spaced equal distances from the listening position with the tweeters at or above ear level.

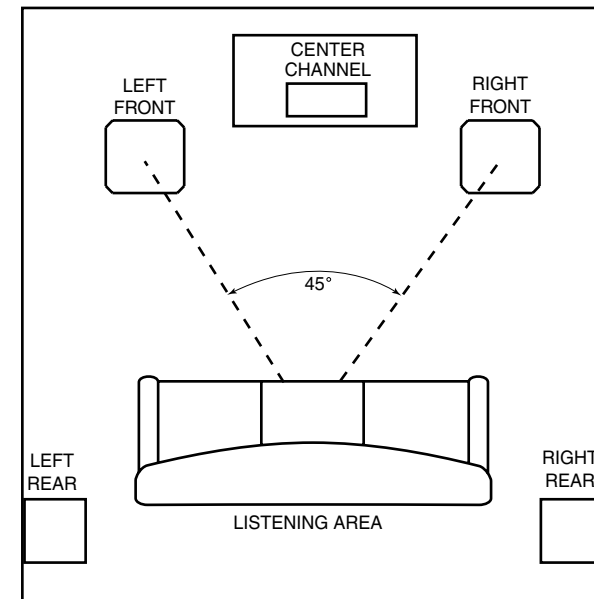


FIGURE 1 Typical Loudspeaker Placement

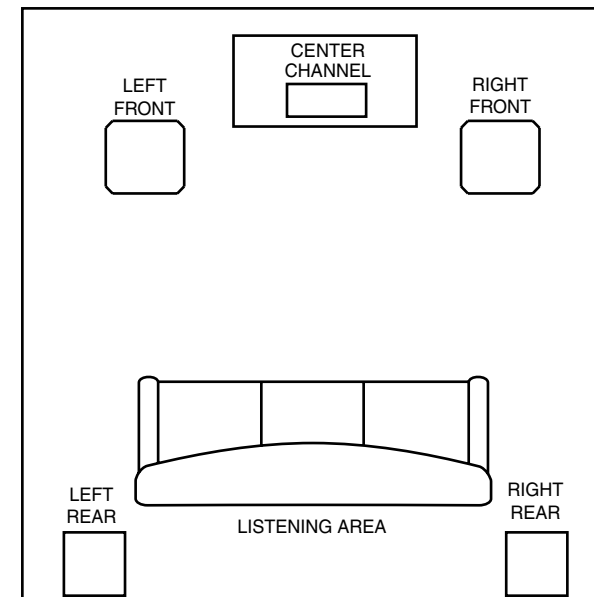


FIGURE 2 Alternate Loudspeaker Placement

CENTER CHANNEL

DCM6C

When using the DCM6C as a center channel speaker in a home theater application the following guidelines should be used for optimum performance.

Locate the speaker as close to the center of your TV or monitor as possible (Figure 1). This will anchor the central image of your home theater to the location of the images seen on the screen.

Place the center channel at an equal distance to the listening position as the main speakers are. Also, place the height of the center channel's tweeter as close to the same height as the main speakers' tweeters (Figure 3). This will prevent image blurring when sounds are panned from the one side of the room to the other.

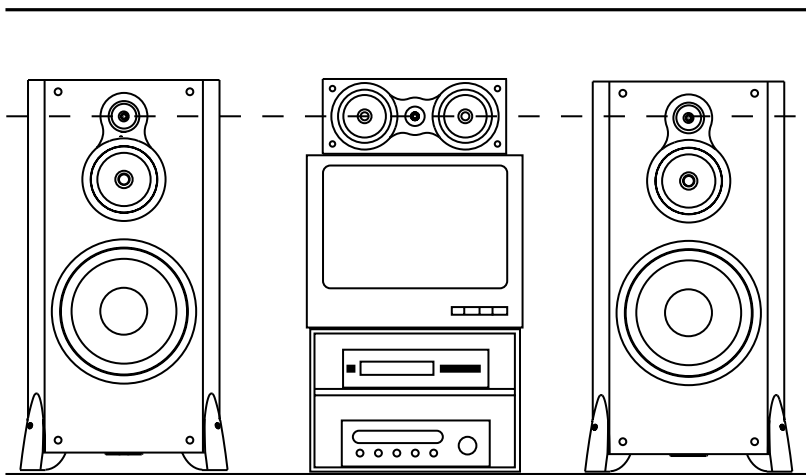


Figure 3 Proper Placement of Center Channel Speaker

HOOK UP

Use 16 gauge or heavier speaker wire for connecting to your amplifier or receiver. Cut wire lengths leaving an extra 12" to 24" at each end to allow for moving the speaker or receiver.

Using a wire cutter or a sharp knife, strip 1/2" of insulation off each end of the wire to expose the conductor. Twist wire ends to prevent from fraying. Connect the conductors to the binding posts on the bottom or back of the speaker by unscrewing the post enough to expose the hole in the terminal post. Slip the exposed conductor in the hole and tighten the post. Repeat this step for connecting to your amplifier or receiver. Refer to the owner's manual supplied with your electronics to assist with proper hook up.

Note: To ensure proper performance, make sure that the wire from the red (+) terminal on the speaker is connected to the red (+) terminal on your amplifier or receiver. Likewise, make sure the wire from the black (-) terminal on the speaker is connected to the black (-) terminal on the amplifier or receiver. (Figure 4)

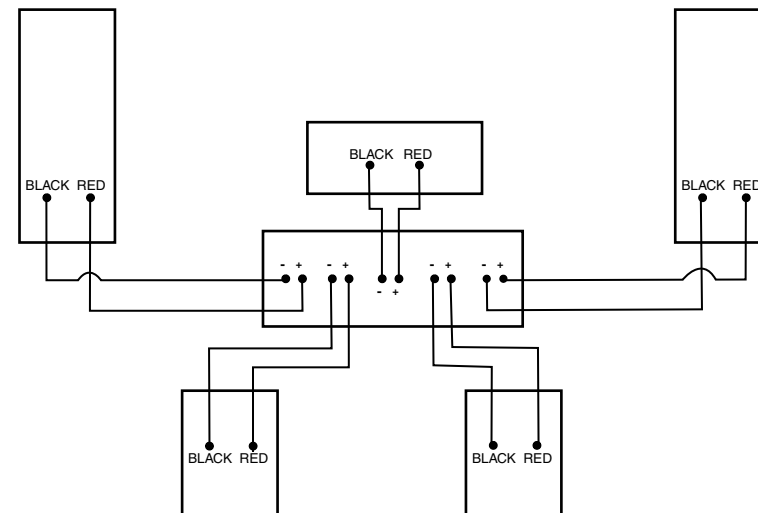


FIGURE 4 Connecting Speakers to Amplifier or Receiver

Once your speakers are hooked up, turn on your electronics and test to make sure they are functioning properly. If your speakers sound "thin" with little bass and have a poor center image, one of the speaker wires is probably hooked up backwards. Double check all connections for proper polarity.

Free Manuals Download Website

<http://myh66.com>

<http://usermanuals.us>

<http://www.somanuals.com>

<http://www.4manuals.cc>

<http://www.manual-lib.com>

<http://www.404manual.com>

<http://www.luxmanual.com>

<http://aubethermostatmanual.com>

Golf course search by state

<http://golfingnear.com>

Email search by domain

<http://emailbydomain.com>

Auto manuals search

<http://auto.somanuals.com>

TV manuals search

<http://tv.somanuals.com>