



OUTDOOR REFRIGERATOR AND BEER DISPENSER

Use and Care Guide



MODELS:

UT624

UR624



A MESSAGE TO OUR CUSTOMERS

Thank you for selecting this DCS Outdoor Refrigerator/Beer Dispenser. Because of these appliances' unique features we have developed this Use and Care Guide. It contains valuable information on how to properly install, operate and maintain your new appliance for years of safe and enjoyable operation.

To help serve you better, please **fill out and submit your Ownership Registration by visiting our website at www.dcsappliances.com** and selecting "Customer Service" on the home page and then select "Ownership Registration" or submit the enclosed Ownership Registration Card to the address below. In addition, keep this guide handy, as it will help answer questions that may arise as you use your new appliance.

For your convenience, product questions can be answered by a DCS Customer Care Representative at 1-888-281-5698, email: support@dcsappliances.com, or by mail:

Fisher & Paykel Appliances, Inc.
Attention: DCS Customer Care
5900 Skylab Road
Huntington Beach, CA 92647

Note to Customer:

This merchandise was carefully packed and thoroughly inspected before leaving our plant. Responsibility for its safe delivery was assumed by the carrier upon acceptance of the shipment. As directed on the side of your packing carton, claims for loss or damage sustained in transit must be made on the carrier as follows:

- A) Exterior Damage: Make thorough damage notation on your delivery receipt and have driver acknowledge by signature and date. Send a written request asking for an inspection report from carrier. Include the name of carrier representative and the date the inspection was requested. Retain inspection report and receipt for filing of a claim.*
- B) Concealed Damage: This must be reported to carrier within fifteen days. Obtain inspection report from the carrier. Retain the inspection report for filing of the claim. DO NOT RETURN DAMAGED MERCHANDISE TO MANUFACTURER -- FILE THE CLAIM WITH THE CARRIER.*

PLEASE RETAIN THIS MANUAL FOR FUTURE REFERENCE.

TABLE OF CONTENTS

SAFETY PRACTICES AND PRECAUTIONS	3-4
INSTALLATION	4-5
USING THE FRIDGE/BEER DISPENSER	6
CARE AND MAINTENANCE	
Replace interior light bulb	7
Things to remember	7
Energy saving tips	7
How to clean and maintain your cabinet	8
TROUBLESHOOTING	9
SERVICE	10
WARRANTY	11-12

SAFETY PRACTICES & PRECAUTIONS

To reduce the risk of fire, electric shock, or injury to persons read the IMPORTANT SAFETY INSTRUCTIONS before operating this appliance.

Use this appliance only for its intended purpose as described in this User Guide.



WARNING

When using this appliance always exercise basic safety precautions including the following:

Danger!

- Risk of child entrapment. Before you throw away your old refrigerator or freezer:
 - Take off the doors.
 - Leave the shelves in place so that children may not easily climb inside.

Electrical

- This appliance must be properly installed in accordance with the installation instruction before it is used.
- Never unplug your refrigerator by pulling on the power cord.
- Always grip the plug firmly and pull straight out from the outlet.
- Repair or replace immediately all electric service cords that have become frayed or otherwise damaged. Do not use a cord that shows cracks or abrasion along its length or at either the plug or appliance end. If the power supply cord is damaged, it must only be replaced by your Fisher & Paykel Appliances Authorized Service Center because special purpose tools are required.
- Unplug your refrigerator before cleaning or replacing the light bulb.

Storing

- Never store volatile or flammable materials in your refrigerator as they may explode.

Cleaning

- Many commercially available cleaning products contain solvents which may attack plastic components of your refrigerator or freezer and cause them to crack. Please refer to the cleaning care section of this booklet for further advice (see pages 6-8).

INSTALLATION

HOW TO INSTALL YOUR OUTDOOR REFRIGERATOR/BEER DISPENSER

SELECT LOCATION:

The proper location will ensure peak performance of your appliance. Choose a location where the unit will be out of direct sunlight, away from heat sources and moisture. Units with fan cooled condensers can be built in.

Unit should be operated in a properly ventilated area with ambient temperatures above 40 degrees and below 100 degrees Fahrenheit.

Installation should be such that the cabinet can be moved for servicing if necessary.

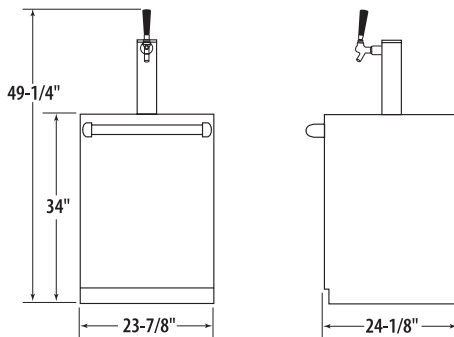
CABINET CLEARANCE:

Ventilation is required from the bottom front section of the unit. Keep this area open and clear of any obstructions.

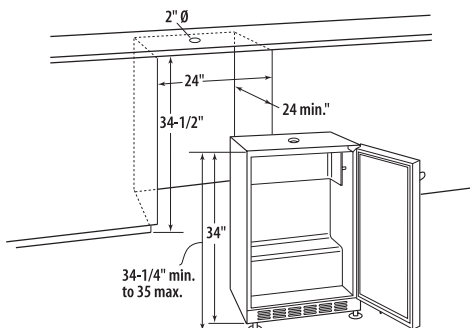
The adjacent cabinets and counter top can be built around the unit as long as no top trim or counter top is installed lower than the top of the hinge.

24" Outdoor Beer Dispenser

Dimensions

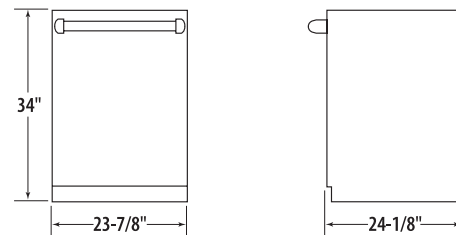


Island Preparation

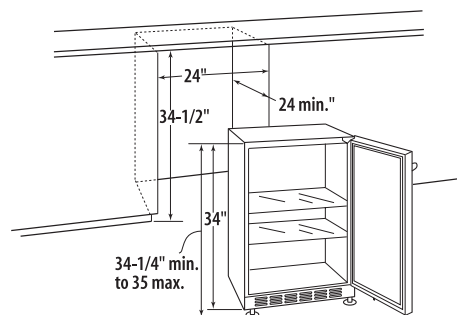


24" Outdoor Refrigerator

Dimensions



Island Preparation



INSTALLATION

HOW TO INSTALL YOUR OUTDOOR REFRIGERATOR/BEER DISPENSER

ELECTRICAL CONNECTION:

Check serial plate for correct power supply. Use only electrical power supply as specified on your appliance serial nameplate. **Do not use an extension cord!**

WARNING!

Do not splash or spray water from a hose onto the refrigerator! Doing so may cause an electrical shock, which may result in severe injury or death.

GROUNDING METHOD

This product is factory equipped with a power supply cord that has a three-pronged grounded plug. It must be plugged into a mating grounding type receptacle in accordance with the National Electrical Code and applicable local codes and ordinances. If the circuit does not have a grounding type receptacle, it is the responsibility and obligation of the customer to exchange the existing receptacle in accordance with the National Electrical Code and applicable local codes and ordinances. The third ground prong should not, under any circumstances, be cut or removed. All UL listed refrigerated products are equipped with this type of plug.

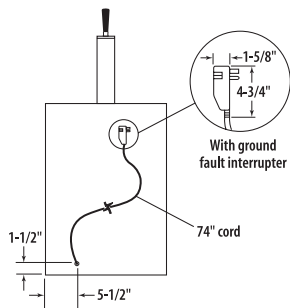
A ground fault circuit interrupter electrical receptacle is to be used to supply electrical power to the refrigerator for outdoor applications. Contact an electrician if you need to install one to supply electrical power to your outdoor refrigerator.

POWER REQUIREMENTS:

24" Outdoor Beer Dispenser

- 120V 60Hz
- 1800 watt
- 3 wire
- 15 amp circuit
- UL approved
- Available freestanding or built-in
- Drip tray

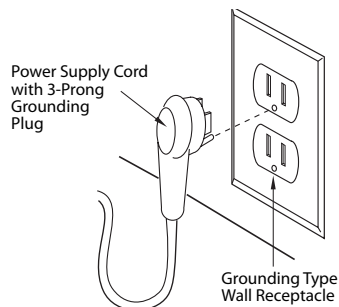
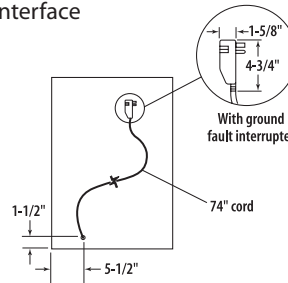
AC Interface



24" Outdoor Refrigerator

- 120V 60Hz
- 1800 watt
- 3 wire
- 15 amp circuit
- UL approved
- Interior space 6.1 cu ft
- Available freestanding or built-in
- Auto defrost

AC Interface



Note:

The plug shown is for 115V units. The prongs on your model may be different than the one shown if your unit is other than 115 volts.

USING THE FRIDGE/BEER DISPENSER

TEMPERATURE CONTROL

Initially set the cold control knob midway between the numbers. After at least 2 hours, adjust to the temperature that suits you. The higher the number you select, the cooler the temperature (Fig. 02).

The temperature control knob is located at the bottom, front of the cabinet, just behind the square opening near the middle of the venting grill.

DEFROSTING INSTRUCTIONS

Never use a scraper or any tool that might scratch or pierce the cooling plate. Follow these steps whenever 1/4 inch or more of frost accumulates;

1. Disconnect the power cord and set the cold control knob to "OFF" position.
2. Remove contents.
3. Place pans of hot water on the shelf under cooling plate if you wish to speed up defrosting.

Note:

Place a clean cloth under the hot pan of water to protect the glass shelf from breaking.

4. Wipe out the interior and replace contents.
5. Connect power cord to outlet.
6. Set temperature control to desired level.

HELP PREVENT TRAGEDIES. . .

Each year children die because they climb inside a discarded refrigeration product, get trapped inside and suffocate. Take precautions to prevent such tragedies by removing the door, taping or chaining it shut before discarding.

ALL REFRIGERATOR MODELS

All refrigerator models automatically defrost their cooling plate during each compressor off cycle. No manual defrosting is required.

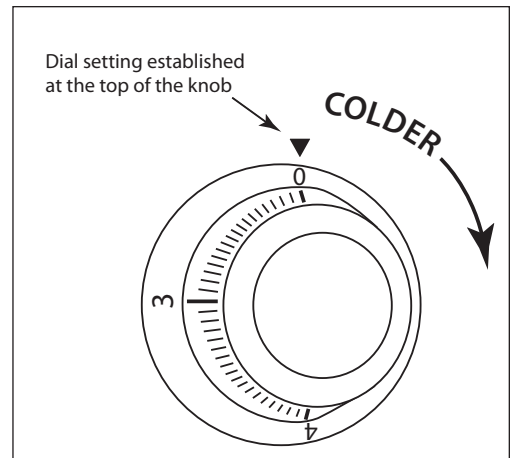


Fig. 02

CARE AND MAINTENANCE

REPLACE INTERIOR LIGHT BULB

When supplied with an interior light, your refrigerator uses a 15 Watt appliance light bulb. To replace the light bulb, proceed as follows:

1. Unplug the power cord from the power supply.
2. Open the cabinet door and remove the glass shelves.
3. Remove the 3 screws on the front face of the light lens using a Phillips screwdriver.
4. Remove the lens.
5. Unscrew the existing bulb and replace with an equivalent 15 Watt, threaded, intermediate base appliance bulb. Do not replace with a bulb higher than 15 Watts.
6. Reassemble.

To clean the light assembly, disconnect the power cord and let the light cool. Wipe the assembly with a mildly damp cloth. Dry the unit completely before connecting the power cord. Make sure you disconnect the refrigerator's power cord plug from the electrical receptacle **BEFORE** you clean the light assembly.

NOTE:

The rocker switch located on the right side of grill controls the interior light and overrides the door plunger switch allowing the light to stay on even with the door closed. To have the interior light go out after the door is shut, make sure the rocker switch is pushed into the "OFF" position (Fig. 01).

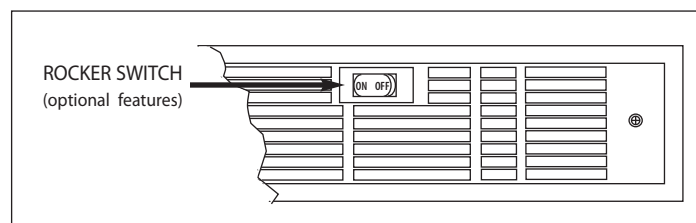


Fig. 01

THINGS TO REMEMBER. . .

1. Allow 24 hours for your refrigerator to reach a new temperature setting.
2. The motor will start and stop often. It must do this to maintain the temperature you select.
3. Keep your refrigerator reasonably level.
4. Unplug the refrigerator before working on anything with the electrical system.
5. Exercise caution when sweeping, vacuuming, or mopping near the front of the unit. Damage to the grill and/or the light fixture switch can occur.
6. For all cleaning of the refrigerator interior, mix 2 tablespoons baking soda with 1 quart warm water or use mild soap. Do not use strong cleaners or scouring powder or pads.
7. Keep your refrigerator out of direct sunlight.
8. Do not splash or spray water on or under the refrigerator.
9. Clean your refrigerator's condenser periodically to maintain proper cooling performance.

ENERGY SAVING TIPS

1. Reduce door openings.
2. Close the door as soon as you can.
3. Keep the coils on bottom of the refrigerator clean.
4. Adjust the temperature control to a warmer setting when practical.
5. Don't put hot foods in the refrigerator.
6. Keep unit away from the stove or other heat sources.

CARE AND MAINTENANCE

HOW TO CLEAN AND MAINTAIN YOUR UNIT

Condenser

The condenser coil under the cabinet for forced air units does not require frequent cleaning; however, satisfactory cooling depends on adequate ventilation over the condenser coil. Be sure that nothing obstructs the air flow openings in the lower front of the cabinet. At least once or twice a year brush or vacuum lint and dirt from the condenser coil for efficient performance by unscrewing the grill on the bottom front of the cabinet.

Cabinet

The stainless steel cabinet can be washed with mild soap and water and thoroughly rinsed with clear water. Never use abrasive scouring powders.

Interior and Door Gasket

Wash interior compartment with mild soap and water. Mix 2 tablespoons of baking soda with one quart of warm water. Do not use an abrasive powder, solvent, polish cleaner or undiluted detergent.

TROUBLESHOOTING

PROBLEM	POSSIBLE CAUSE/SOLUTIONS
Odor in cabinet	Interior needs cleaning
Noisy operation	Cabinet not level
	Fan blade damaged/ call for service
Cabinet vibrates	Cabinet not level
	Fan blade damaged/ call for service
Cabinet light not working (optional feature)	Bulb burned out
	Open door sw/ call for service
Appliance will not run	Temperature control turned to "OFF"
	Line cord not plugged in
	No power at electrical outlet
	House fuse blown
Appliance runs too long	Prolonged door openings
	Control set too cold
	Condenser needs cleaning
Moisture collects inside	Too many door openings
	Porlonged door openings
	Hot, humid weather increases condensation
Moisture collects on outside surface	Hot, humid weather increases condensation. As humidity decreases, moisture will disappear.
	Control improperly set
Interior too hot/too cold	Control improperly set
	Faulty thermometer
	Condenser needs cleaning

SERVICE

HOW TO OBTAIN SERVICE:

For warranty service, please contact your local service provider or DCS Customer Care at (888) 281-5698. Before you call, please have the following information ready:

- Model Number (on the serial plate located on the lower front cabinet flange)
- Serial Number (on the serial plate located on the lower front cabinet flange)
- Date of installation
- A brief description of the problem

Your satisfaction is of the utmost importance to us. If a problem cannot be resolved to your satisfaction, please write or email us at:

Write:

Fisher & Paykel Appliances, Inc.
Attention: DCS Customer Care
5900 Skylab Road
Huntington Beach, CA 92647

Email: support@dcsappliances.com

BEFORE YOU CALL FOR SERVICE:

Check troubleshooting on page 9.

WARRANTY

LIMITED WARRANTY

When you purchase any new DCS Refrigeration Product, you automatically receive a One Year Limited Warranty covering parts and labor for servicing within the 48 mainland United States, Hawaii, Washington, D.C. and Canada. In Alaska the Limited Warranty is the same except that you must pay to ship the Product to the service shop or for the service technician's travel to your home. Products for use in Canada must be purchased through the authorized Canadian distribution channel to ensure regulatory compliance.

You receive an additional Four Year Limited Warranty (for a total of Five Years) covering parts for the sealed refrigeration system (compressor, evaporator, condenser, filter dryer, and connecting tubing) within the 48 mainland United States, Hawaii, Washington, D.C. and Canada. In Alaska the Limited Warranty for the sealed refrigeration system is the same except that you must pay to ship the Product to the service shop or the service technician's travel to your home.

FISHER & PAYKEL UNDERTAKES TO:

Repair without cost to the owner either for material or labor any part of the Product, the serial number of which appears on the Product, which is found to be defective. In Alaska, you must pay to ship the Product to the service shop or for the service technician's travel to your home.

If we are unable to repair a defective part of the Product after a reasonable number of attempts, at our option we may replace the part or the Product, or we may provide you a full refund of the purchase price of the Product (not including installation or other charges).

This warranty extends to the original purchaser and any succeeding owner of the Product for products purchased for ordinary single-family home use.

All service under this Limited Warranty shall be provided by Fisher & Paykel Appliances Inc. or its Authorized DCS Service Agent during normal business hours.

LIMITED WARRANTY

How Long Does this Limited Warranty Last?

Our liability under this Limited Warranty expires One Years from the date of purchase of the Product by the first consumer.

Our liability for repair of defects in any sealed refrigeration system (compressor, evaporator, condenser, filter dryer, and connecting tubing) extends an additional Four Years, for a total of Five Years from the date of purchase of the Product by the first consumer.

Our liability under any implied warranties, including the implied warranty of merchantability (an unwritten warranty that the Product is fit for ordinary use) also expires One Year (or such longer period as required by applicable law) from the date of purchase of the Product by the first consumer. Some states do not allow limitations on how long an implied warranty lasts, so this limit on implied warranties may not apply to you.

THIS WARRANTY DOES NOT COVER

- A. Service calls that are not related to any defect in the Product. The cost of a service call will be charged if the problem is not found to be a defect of the Product. For example:
1. Correct faulty installation of the Product.
 2. Instruct you how to use the Product.
 3. Replace house fuses, reset circuit breakers, correct house wiring or plumbing, or replace light bulbs.
 4. Correct fault(s) caused by the user.
 5. Change the set-up of the Product.
 6. Unauthorized modifications of the Product.
 7. Noise and vibration that is considered normal e.g. drain sounds, regeneration noises and user warning beeps.
 8. Correcting damage caused by pests e.g. rats, cockroaches etc.

WARRANTY

9. Used in commercial applications.

B. Defects caused by factors other than:

1. Normal domestic use or
2. Use in accordance with the Product's Use and Care Guide.

C. Defects to the Product caused by accident, neglect, misuses, fire, flood or Act of God.

D. The cost of repairs carried out by non-authorized repairers or the cost of correcting such unauthorized repairs.

E. Travel Fees and associated charges incurred when the product is installed in a location with limited or restricted access.(i.e. airplane flights, ferry charges, isolated geographic areas).

F. Normal recommended maintenance as set forth in the Product's Use and Care Guide.

If you have an installation problem contact your dealer or installer. You are responsible for providing adequate electrical, exhausting and other connection facilities.

We are not responsible for consequential or incidental damages (the cost of repairing or replacing other property damaged if the Product is defective or any of your expenses caused if the Product is defective). Some states do not allow the exclusion or limitation of incidental or consequential damages, so the above limitation or exclusion may not apply to you.

HOW TO GET SERVICE

Please read this Use and Care Guide. If you then have any questions about operating the Product, need the name of your local DCS Authorized Service Agent, or believe the Product is defective and wish service under this Limited Warranty, please contact your dealer or call us at:

TOLL FREE 1-888-281-5698 or contact us through our web site: www.dcsappliances.com

You may be required to provide reasonable proof of the date of purchase of the Product before the Product will be serviced under this Limited Warranty.

COMMERCIAL USE

This warranty applies to appliances used in residential applications; it does not cover their use in commercial situations.

NO OTHER WARRANTIES

This Limited Warranty is the complete and exclusive agreement between you and Fisher & Paykel Appliances Inc. regarding any defect in the Product. None of our employees (or our Authorized Service Agents) are authorized to make any addition or modification to this Limited Warranty.

Warrantor: Fisher & Paykel Appliances, Inc.

If you need further help concerning this Limited Warranty, please call us at the above number, or write to:

Fisher & Paykel Appliances, Inc.
5900 Skylab Road, Huntington Beach, CA 92647

This Limited Warranty gives you specific legal rights, and you may also have other rights which vary from state to state.

Fisher & Paykel Appliances Inc. is a leading manufacturer of premium quality cooking and specialty appliances under the Fisher & Paykel and DCS brands.



RÉFRIGÉRATEUR ET DISTRIBUTEUR DE BIÈRE EXTÉRIEURS

Manuel d'utilisation et d'entretien



MODÈLES :
UT624
UR624



À L'INTENTION DE NOS CLIENTS

Nous vous remercions d'avoir choisi ce réfrigérateur/distributeur de bière extérieur DCS. Nous avons conçu ce Manuel d'utilisation et d'entretien pour expliquer les fonctions uniques de ces appareils. Ce manuel contient des informations extrêmement utiles sur la façon correcte de les installer, les faire fonctionner et en faire l'entretien. Vous pourrez ainsi en profiter pendant des années en toute sécurité.

Aidez-nous à mieux vous servir en remplissant le formulaire d'enregistrement du propriétaire et en nous le soumettant depuis notre site Web à www.dcsappliances.com. Sélectionnez « Service à la clientèle » sur la page d'accueil puis « Enregistrement du propriétaire », ou envoyez-nous par courrier la Carte d'enregistrement du propriétaire à l'adresse ci-dessous. De plus, gardez ce manuel à portée de main afin de rapidement trouver réponse à vos questions durant l'utilisation de votre nouvel appareil.

Si vous avez des questions au sujet de notre produit, communiquez avec un représentant du centre de service à la clientèle DCS par téléphone : 1-888-281-5698, par courriel : support@dcsappliances.com, ou par courrier :

Fisher & Paykel Appliances, Inc.
Attention : DCS Customer Care
5800 Skylab Road, Huntington Beach, CA 92647
États-Unis

www.dcsappliances.com

Remarque à l'intention du client :

Cette marchandise a été soigneusement emballée et inspectée avant de quitter l'usine. Le transporteur a assumé la responsabilité de sa livraison au moment de l'acceptation de la marchandise. Tel qu'indiqué sur le côté de l'emballage, toute réclamation pour cause de perte ou de dommages encourus durant le transport doit être présentée au transporteur selon les modalités suivantes :

A) Dommages extérieurs : Notez soigneusement les dommages sur le reçu de livraison et faites-le dater et signer par le chauffeur. Envoyez au transporteur une requête par écrit exigeant un rapport d'inspection. Indiquez le nom du représentant du transporteur ainsi que la date à laquelle l'inspection a été demandée. Conservez le rapport d'inspection et le reçu pour vous en servir lors de la réclamation.

*B) Dommages dissimulés : Ceci doit être signalé au transporteur dans les quinze jours. Procurez-vous un rapport d'inspection auprès du transporteur. Conservez-le pour votre réclamation. **NE RENVOYEZ AUCUNE MARCHANDISE ENDOMMAGÉE AU FABRICANT -- DÉPOSEZ VOTRE RÉCLAMATION AUPRÈS DU TRANSPORTEUR.***

VEUILLEZ CONSERVER CE MANUEL À TITRE DE RÉFÉRENCE.

TABLE DES MATIÈRES

MESURES DE SÉCURITÉ ET DE PRÉCAUTION	3-4
INSTALLATION	4-5
UTILISATION DU RÉFRIGÉRATEUR/DISTRIBUTEUR DE BIÈRE	6
ENTRETIEN ET MAINTENANCE	
Remplacement de l'ampoule intérieure	7
À ne pas oublier	7
Conseils d'économie d'énergie	7
Nettoyage et entretien de l'armoire	8
DÉPANNAGE	9
SERVICE	10
GARANTIE	11-12

MESURES DE SÉCURITÉ ET DE PRÉCAUTION

Afin de réduire le risque d'incendie, de choc électrique ou de blessures, lisez les IMPORTANTES CONSIGNES DE SÉCURITÉ avant de faire fonctionner l'appareil.

Employez cet appareil uniquement selon l'usage prévu tel que décrit dans ce Guide de l'utilisateur.



AVERTISSEMENT

Durant l'utilisation de cet appareil, respectez toujours les consignes de sécurité élémentaires y compris ce qui suit :

Danger!

- Les enfants peuvent rester pris. Avant de jeter votre ancien réfrigérateur ou congélateur :
 - Enlevez les portes.
 - Laisser les étagères en place pour empêcher les enfants de se loger à l'intérieur.

Caractéristiques électriques

- Cet appareil doit être correctement installé avant toute utilisation conformément aux instructions d'installation.
- Ne débranchez jamais votre réfrigérateur en tirant sur le cordon d'alimentation.
- Saisissez fermement la fiche et tirez dessus pour la sortir de la prise électrique.
- Réparez ou remplacez immédiatement tout cordon électrique effiloché ou endommagé de quelque façon. N'utilisez pas de cordon présentant des fissures ou des éraflures sur sa longueur ou au niveau de la fiche ou de l'extrémité branchée sur l'appareil. Si le cordon d'alimentation est endommagé, il doit être remplacé par un centre de service autorisé d'appareils électroménagers Fisher & Paykel uniquement car cela nécessite des outils spéciaux.
- Débranchez votre réfrigérateur avant de nettoyer ou de remplacer l'ampoule.

Entreposage

- N'entrez jamais de matières volatiles ou inflammables dans votre réfrigérateur car elles pourraient exploser.

Nettoyage

- De nombreux produits de nettoyage vendus dans le commerce contiennent des solvants pouvant attaquer les composants en plastique présents dans le réfrigérateur ou le congélateur et provoquer des fissures. Reportez-vous à la section de nettoyage de ce guide pour davantage de conseils (voir page 6-8).

INSTALLATION

INSTALLATION DU RÉFRIGÉRATEUR/DISTRIBUTEUR DE BIÈRE EXTÉRIER

SÉLECTIONNEZ L'EMPLACEMENT :

Un bon emplacement assurera une performance optimale de l'appareil. Choisissez un endroit où l'appareil sera à l'abri de la lumière directe du soleil, de sources de chaleur et de l'humidité. Les appareils dotés de condensateurs ventilés peuvent être encastrés.

L'appareil doit fonctionner dans un lieu correctement aéré où la température ambiante est supérieure à 4 °C (40 °F) et inférieure à 38 °C (100 °F).

Effectuez l'installation de telle sorte que l'armoire puisse être déplacée facilement en cas d'entretien.

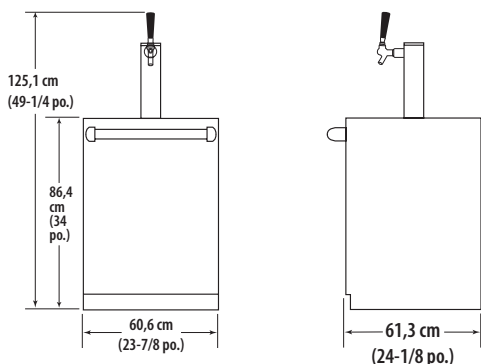
DÉGAGEMENT DE L'ARMOIRE :

La section avant inférieure de l'appareil a besoin d'être ventilée. Gardez cette zone ouverte et libre de toute obstruction.

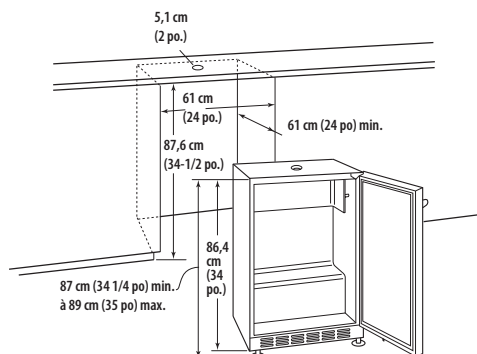
Les armoires adjacentes et le comptoir peuvent être placés autour de l'appareil à condition qu'aucune garniture supérieure ou comptoir ne soit situé plus bas que le haut de la charnière.

Distributeur de bière extérieur de 24 po

Dimensions

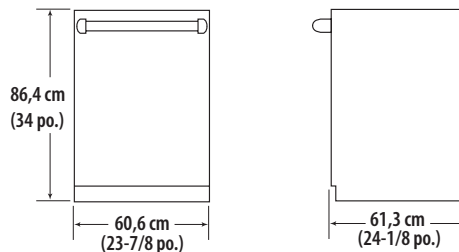


Préparation de l'îlot

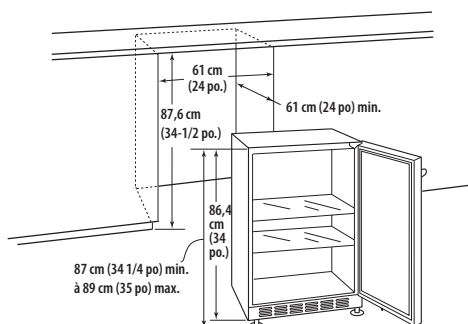


Réfrigérateur extérieur de 24 po

Dimensions



Préparation de l'îlot



INSTALLATION

INSTALLATION DU RÉFRIGÉRATEUR/DISTRIBUTEUR DE BIÈRE EXTÉRIEUR

CONNEXION ÉLECTRIQUE :

Voir la plaque signalétique pour le bon type d'alimentation. L'alimentation utilisée doit impérativement être conforme aux spécifications de la plaque signalétique de l'appareil. N'utilisez pas de rallonge!

AVERTISSEMENT!

Évitez d'asperger ou d'arroser le réfrigérateur avec de l'eau au moyen d'un tuyau! Cela pourrait causer un choc électrique qui pourrait entraîner des blessures graves ou la mort.

MÉTHODE DE MISE À LA TERRE

Cet appareil est équipé d'un cordon d'alimentation à fiche bipolaire avec terre. La fiche doit être branchée dans une prise avec mise à la terre correspondante conformément au Code national de l'électricité et aux codes et réglementations en vigueur. Si le circuit ne possède pas ce genre de prise, le client a la responsabilité et le devoir de faire remplacer la prise existante conformément au Code national de l'électricité et aux codes et réglementations en vigueur. La troisième broche de terre ne doit en aucun cas être coupée ou enlevée. Tous les produits de réfrigération homologués UL sont équipés de ce genre de prise.

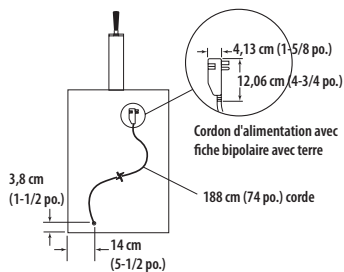
Une prise électrique à disjoncteur de fuite à la terre permet de fournir du courant électrique au réfrigérateur pour une utilisation extérieure. Contactez un électricien si vous avez besoin d'en installer une pour alimenter votre réfrigérateur extérieur.

BESOINS EN ALIMENTATION :

Distributeur de bière extérieur de 24 po. -

- 120 V 60 Hz
- 1800 watts
- 3 fils
- Circuit de 15 A
- Homologué UL
- En version autonome ou encastrée
- Ramasse-gouttes

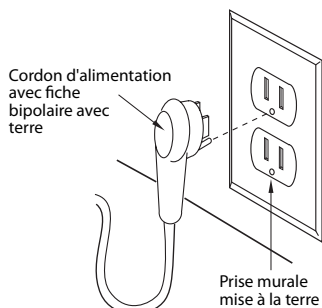
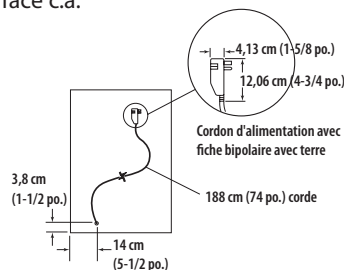
Interface c.a.



Réfrigérateur extérieur de 24 po

- 120 V 60 Hz
- 1800 watts
- 3 watts
- Circuit de 15 A
- Homologué UL
- Espace intérieur 0,17 m³ (6,1 pi³)
- En version autonome ou encastrée
- Dégivrage automatique

Interface c.a.



Remarque :

La prise indiquée est prévue pour les appareils de 115 V. Les broches de votre modèle peuvent être différentes de celles illustrées s'il ne s'agit pas d'un appareil de 115 V.

UTILISATION DU RÉFRIGÉRATEUR/ DISTRIBUTEUR DE BIÈRE

CONTRÔLE DE TEMPÉRATURE

Réglez initialement le bouton de réglage du froid au milieu. Attendez au moins deux heures puis réglez-le à la température qui vous convient. Plus le nombre sélectionné est élevé, plus la température est basse (Fig. 02).

Le bouton de contrôle de la température se trouve au bas, à l'avant de l'armoire, juste derrière l'ouverture carrée près du milieu de la grille de ventilation.

INSTRUCTIONS DE DÉCONGÉLATION

N'utilisez jamais de racloir ou autre outil pouvant égratigner ou percer la plaque de refroidissement. Suivez les instructions ci-dessous en cas d'accumulation d'un demi-centimètre ou plus de gel;

1. Débranchez le cordon d'alimentation et réglez le bouton de réglage du froid à « OFF ».
2. Videz le contenu.
3. Placez des récipients d'eau chaude sur la tablette sous la plaque de refroidissement si vous désirez accélérer la décongélation.

Remarque :

Placez un chiffon propre sous les récipients pour éviter que la tablette de verre n'éclate.

4. Essuyez l'intérieur et remplacez le contenu.
5. Branchez le cordon d'alimentation à la prise.
6. Réglez le bouton de contrôle de température au niveau désiré.

AIDEZ À ÉVITER DES TRAGÉDIES. . .

Chaque année des enfants meurent parce qu'ils se cachent à l'intérieur d'un produit de réfrigération mis au rebut, restent coincés à l'intérieur et suffoquent. Prenez les mesures de précaution nécessaires pour éviter de telles tragédies en enlevant la porte ou en la condamnant à l'aide de ruban adhésif ou d'une chaîne.

TOUS LES MODÈLES DE RÉFRIGÉRATEUR

Tous les modèles de réfrigérateur décongèlent automatiquement la plaque de refroidissement chaque fois que le compresseur est arrêté. Il n'est pas nécessaire d'effectuer une décongélation manuelle.

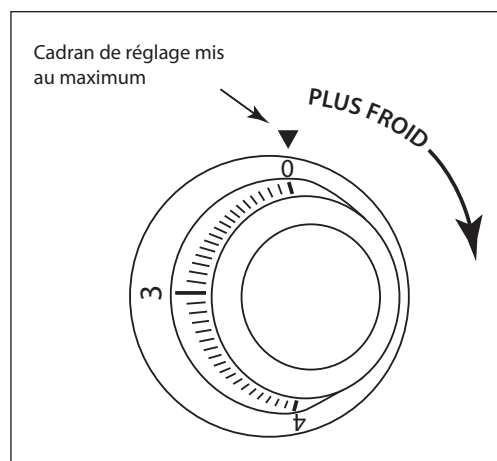


Fig. 02

ENTRETIEN ET MAINTENANCE

REPLACEMENT DE L'AMPOULE INTÉRIEURE

Si le réfrigérateur est équipé d'une lumière intérieure, celle-ci emploie une ampoule de 15 W conçue pour appareils électroménagers. Pour remplacer l'ampoule, procédez comme suit :

1. Débranchez le cordon d'alimentation de la prise de courant.
2. Ouvrez la porte du cabinet et retirez les tablettes de verre.
3. Retirez les 3 vis à l'avant de la lentille à l'aide d'un tournevis cruciforme.
4. Retirez la lentille.
5. Dévissez l'ampoule existante et remplacez-la par une ampoule de 15 watts équivalente, avec culot à vis intermédiaire pour appareil électroménager. N'utilisez pas d'ampoules de plus de 15 W.
6. Réassemblez le tout.

Pour nettoyer le système d'éclairage, débranchez le cordon d'alimentation et laissez l'ampoule refroidir. Essuyez l'ensemble avec un linge légèrement humide. Séchez complètement avant de rebrancher le cordon d'alimentation. Prenez soin de débrancher la fiche du cordon d'alimentation du réfrigérateur de la prise électrique **AVANT** de nettoyer le système d'éclairage.

REMARQUE :

L'interrupteur à bascule situé sur le côté droit de la grille contrôle la lumière intérieure et contourne le bouton interrupteur de la porte, permettant ainsi à la lumière de rester allumée même lorsque la porte est fermée. Pour que la lumière intérieure s'éteigne lorsque la porte est fermée, assurez-vous que l'interrupteur à bascule soit enfoncé en position « Off » (Fig. 01).

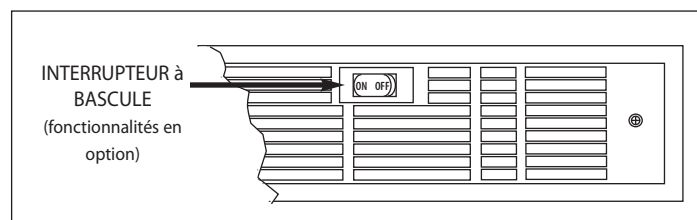


Fig. 01

À NE PAS OUBLIER. . .

1. Prévoyez une période de 24 heures avant que le réfrigérateur n'atteigne la nouvelle température que vous avez réglée.
2. Le moteur démarrera et s'arrêtera souvent. Ceci est nécessaire pour qu'il puisse maintenir la température que vous avez sélectionnée.
3. Gardez votre réfrigérateur raisonnablement de niveau.
4. Débranchez le réfrigérateur avant de travailler sur tout élément du système électrique.
5. Faites attention lorsque vous balayez, passez l'aspirateur ou la lavette près de l'avant de l'appareil. La grille ou l'interrupteur de la lampe pourraient être endommagés.
6. Pour nettoyer l'intérieur du réfrigérateur, mélangez deux cuillères à soupe de bicarbonate de soude avec 1 litre d'eau chaude ou bien utilisez un savon doux. N'utilisez pas de nettoyeurs forts ni de poudre ou de tampons à récupérer.
7. Gardez votre réfrigérateur à l'abri de la lumière directe du soleil.
8. Évitez d'asperger ou d'arroser de l'eau sur ou sous le réfrigérateur.
9. Nettoyez le condensateur de votre réfrigérateur périodiquement afin de maintenir une bonne capacité de refroidissement.

CONSEILS D'ÉCONOMIE D'ÉNERGIE

1. Réduisez au maximum les ouvertures de porte.
2. Fermez la porte le plus vite possible.
3. Gardez les bobines au bas du réfrigérateur en état propre.
4. Si cela est pratique, réglez le bouton de température à un niveau plus élevé.
5. Ne mettez pas d'aliments chauds dans le réfrigérateur.
6. Gardez l'appareil éloigné du réchaud ou d'autres sources de chaleur.

ENTRETIEN ET MAINTENANCE

NETTOYAGE ET MAINTENANCE DE L'APPAREIL

Condensateur

La bobine du condensateur sous l'armoire (appareils à air pulsé) n'a pas besoin d'être nettoyée fréquemment; toutefois, un bon refroidissement dépend d'une ventilation adéquate de la bobine du condensateur. Assurez-vous que les ouvertures d'air dans la partie avant inférieure de l'armoire ne sont pas obstruées par quoi que ce soit. Au moins une ou deux fois par an, dévissez la grille sur la partie avant inférieure de l'armoire et nettoyez la charpie et la saleté de la bobine du condensateur à l'aide d'une brosse ou d'un aspirateur pour assurer le bon rendement de l'appareil.

Armoire

L'armoire en acier inoxydable peut être lavée avec de l'eau et un savon doux puis bien rincée à l'eau claire. N'utilisez jamais de poudres à récupérer abrasives.

Intérieur et joint de porte

Lavez le compartiment intérieur avec un savon doux et de l'eau. Mélangez deux cuillères à soupe de bicarbonate de soude avec 1 litre d'eau tiède. N'utilisez pas de poudres abrasives, de solvants, de dissolvant pour vernis ou de détergent non dilué.

DÉPANNAGE

PROBLÈME	CAUSE POSSIBLE/SOLUTIONS
Présence d'odeur dans l'armoire	L'intérieur a besoin d'être nettoyé
Fonctionnement bruyant	L'armoire n'est pas de niveau
	Lame de ventilateur endommagée / appelez un technicien
L'armoire vibre	L'armoire n'est pas de niveau
	Lame de ventilateur endommagée / appelez un technicien
La lumière de l'armoire ne fonctionne pas (fonctionnalité en option)	Ampoule brûlée
	Interrupteur de porte / appelez un technicien
L'appareil ne fonctionne pas	Bouton de contrôle de température éteint (OFF)
	Cordon d'alimentation non branché
	Pas de courant au niveau de la prise électrique
	Fusible de la maison grillé
L'appareil fonctionne trop longtemps	La porte est ouverte trop longtemps
	Le niveau de température est trop froid
	Le condensateur a besoin d'être nettoyé
Accumulation de vapeur d'eau à l'intérieur	La porte est ouverte trop souvent
	La porte est ouverte trop longtemps
	Un temps chaud et humide augmente l'effet de condensation
Accumulation de vapeur d'eau sur la surface extérieure	Un temps chaud et humide augmente l'effet de condensation. La vapeur d'eau disparaît à mesure que l'humidité faiblit.
	Contrôle mal réglé
Intérieur trop chaud/trop froid	Contrôle mal réglé
	Thermomètre défectueux
	Le condensateur a besoin d'être nettoyé

POUR L'OBTENTION DE SERVICE

POUR L'OBTENTION DU SERVICE DE GARANTIE :

Pour le service sous garantie, contactez votre distributeur ou le Centre de service à la clientèle DCS au (888) 281-5698. Avant d'appeler, veuillez avoir les informations suivantes à portée de main :

- Numéro de modèle (sur la plaque signalétique située sur la bride avant inférieure de l'armoire)
- Numéro de série (sur la plaque signalétique située sur la bride avant inférieure de l'armoire)
- Date d'installation
- Brève description du problème

Votre satisfaction revêt la plus grande importance pour nous. Si un problème n'est pas résolu à votre entière satisfaction, veuillez communiquer avec nous par courrier.

Écrivez-nous à l'adresse suivante :

Fisher & Paykel Appliances, Inc.
Attention : DCS Customer Care
5900 Skylab Road
Huntington Beach, CA 92647 États-Unis
www.dcsappliances.com

AVANT D'APPELER LE SERVICE TECHNIQUE

Consultez la section de dépannage à la page 9.

GARANTIE

GARANTIE LIMITÉE

À l'achat d'un nouveau produit de réfrigération DCS, vous bénéficiez automatiquement d'une garantie limitée d'un an sur les pièces et la main-d'oeuvre valide dans les 48 états continentaux des États-Unis, l'état de Hawaï, la ville de Washington, DC, et au Canada. La garantie limitée est la même en Alaska sauf que vous devez payer les frais d'expédition du produit à un centre de service ou les frais de déplacement d'un technicien dans le cas d'une visite à domicile. Les produits destinés à une utilisation au Canada doivent être achetés auprès d'un distributeur canadien autorisé afin de respecter la réglementation en vigueur.

Vous recevez une garantie limitée supplémentaire de quatre ans (pour un total de cinq ans) couvrant les pièces du système de réfrigération scellé (compresseur, évaporateur, condensateur, déshydrateur-filtre et tube de raccord) valide dans les 48 états continentaux des États-Unis, l'état de Hawaï, la ville de Washington, DC, et au Canada. La garantie limitée est la même en Alaska pour le système de réfrigération scellé sauf que vous devez payer les frais d'expédition du produit à un centre de service ou les frais de déplacement d'un technicien dans le cas d'une visite à domicile.

FISHER & PAYKEL S'ENGAGE À :

entreprendre à ses frais (pièces et main-d'oeuvre) toutes réparations du produit (sur lequel figure le numéro de série) jugé défectueux. En Alaska, vous devez payer les frais d'expédition du produit à un centre de service ou les frais de déplacement d'un technicien dans le cas d'une visite à domicile.

Si nous sommes dans l'incapacité de réparer une pièce défectueuse du produit après un nombre raisonnable de tentatives, nous pourrions, à notre choix, remplacer la pièce ou le produit, ou vous rembourser entièrement le prix d'achat du produit (à l'exclusion des frais d'installation ou autres frais.)

Cette garantie s'applique à l'acheteur initial et à tous les propriétaires successifs du produit dans la mesure où il s'agit d'un produit acheté pour une utilisation à domicile normale. Tout service couvert par cette garantie limitée sera assuré par Fisher & Paykel Appliances Inc. ou son agent de service DCS agréé durant les heures d'ouverture normales.

QUELLE EST LA DURÉE DE CETTE GARANTIE LIMITÉE?

Notre responsabilité pour les réparations de défauts affectant le système de réfrigération scellé (compresseur, évaporateur, condensateur, déshydrateur-filtre et tube de raccord) est prolongée de QUATRE ANNÉES SUPPLÉMENTAIRES, pour un total de cinq années, à partir de la date d'achat du produit par le premier acheteur.

Notre responsabilité en vertu de toute garantie implicite, y compris la garantie implicite de qualité marchande (la garantie tacite selon laquelle le produit est approprié pour un usage normal) expire également UN AN (ou une période plus longue si requis par la loi) à partir de la date d'achat du produit par le premier acheteur. Certaines juridictions ne permettent pas la limitation de la garantie implicite, il est donc possible que la limitation ci-dessus sur les garanties implicites ne s'applique pas à vous.

NE SONT PAS COUVERTS PAR LA GARANTIE :

- A. Les appels de service n'ayant aucun rapport avec un défaut éventuel du produit. Le coût de l'appel de service sera facturé s'il se trouve que le problème n'est pas dû à un défaut du produit. Par exemple :
1. Corriger une mauvaise installation du produit.
 2. Montrer comment utiliser le produit.
 3. Remplacer des fusibles à domicile, réarmer les disjoncteurs, réparer les fils électriques ou la plomberie du domicile, ou remplacer des ampoules.
 4. Corriger des anomalies causées par l'utilisateur.
 5. Changer la configuration du produit.
 6. Modifications non autorisées du produit.
 7. Bruits ou vibrations considérés comme normaux, par exemple les bruits de drain, les bruits de régénération ou les signaux d'avertissement à l'intention de l'utilisateur.
 8. Corriger des dommages causés par des animaux nuisibles, par exemple des rats, des coquerelles, etc.

GARANTIE

9. Utilisé dans le cadre d'une application commerciale.

B. Défauts causés par des facteurs autres que :

1. Utilisation domestique normale ou
2. Utilisation conformément aux indications du guide de l'utilisateur.

C. Défauts du produit pour cause d'accident, négligence, mauvaise utilisation, incendie, inondation ou calamité naturelle.

D. Les coûts des réparations effectuées par des techniciens non autorisés ou le coût de correction de ces réparations non autorisées.

E. Les frais de voyage et les frais connexes encourus lorsque le produit est installé dans un lieu à accès illimité ou restreint (déplacement par avion ou par bateau, régions géographiques isolées, etc.).

F. Entretien normal recommandé par le guide l'utilisateur.

Contactez votre distributeur ou votre installateur en cas de problème d'installation. Il vous incombe d'assurer une installation électrique, une ventilation et toute autre connexion appropriées. Nous ne sommes pas responsables des dommages indirects ou accessoires (coût de réparation ou de remplacement d'autres biens endommagés parce que le produit était défectueux ou tout autre coût que vous auriez encouru parce que le produit était défectueux). Certaines juridictions interdisent l'exclusion ou la restriction de la responsabilité des dommages indirects ou accessoires; l'exclusion ou la restriction indiquée ci-dessus peut donc ne pas s'appliquer à votre cas particulier.

POUR OBTENIR DES RÉPARATIONS

Veuillez consulter le guide de l'utilisateur. Si vous avez des questions concernant l'utilisation du produit, que vous cherchez le nom de l'agent de service DCS agréé local ou que pensez que le produit est défectueux et désirez le faire réparer dans le cadre de cette garantie limitée, veuillez contacter votre distributeur ou nous appeler au numéro suivant :

(NUMÉRO SANS FRAIS) 1-888-281-5698 ou contactez-nous par l'intermédiaire de notre site Web : www.dcsappliances.com.

Vous devrez peut-être présenter une preuve raisonnable de la date d'achat du produit avant de pouvoir bénéficier d'une réparation dans le cadre de cette garantie limitée.

UTILISATION COMMERCIALE

Cette garantie s'applique à des appareils électroménagers utilisés à domicile; elle ne couvre pas les cas d'utilisation commerciale.

AUCUNE AUTRE GARANTIE

Cette garantie limitée constitue l'accord entier et exclusif entre vous et Fisher & Paykel Appliances Inc. en ce qui concerne tout défaut du produit. Aucun de nos employés (ou agents de service agréés) n'est autorisé à apporter des ajouts ou des modifications à cette garantie limitée.

Garant : Fisher & Paykel Appliances, Inc.

Si vous avez besoin d'aide au sujet de cette garantie limitée, veuillez nous appeler au numéro ci-dessus ou nous écrire à l'adresse suivante :

Fisher & Paykel Appliances, Inc.
Attention : DCS Customer Care
5900 Skylab Road, Huntington Beach, CA 92647 États-Unis

Cette garantie limitée vous donne des droits juridiques spécifiques et vous pouvez bénéficier d'autres droits qui varient d'une juridiction à l'autre.

Fisher & Paykel Appliances inc. est un fabricant de pointe d'appareils de cuisson et d'appareils spécialisés, sous les marques Fisher & Paykel et DCS.

REMARQUE

REMARQUE

REMARQUE



Quality provided by Fisher & Paykel Appliances Inc.

Fisher & Paykel Appliances, Inc.
5900 Skylab Road, Huntington Beach, CA 92647
Customer Care: 888.281.5698
Fax: 714.372.7003
www.dcsappliances.com

As product improvement is an ongoing process at DCS, we reserve the right to change specifications or design without notice.

DCS améliore constamment ses produits et se réserve le droit de modifier les spécifications ou la conception de ses produits sans aucun préavis.

Part No. 221430 Rev. B
Litho in USA 11/2005

Free Manuals Download Website

<http://myh66.com>

<http://usermanuals.us>

<http://www.somanuals.com>

<http://www.4manuals.cc>

<http://www.manual-lib.com>

<http://www.404manual.com>

<http://www.luxmanual.com>

<http://aubethermostatmanual.com>

Golf course search by state

<http://golfingnear.com>

Email search by domain

<http://emailbydomain.com>

Auto manuals search

<http://auto.somanuals.com>

TV manuals search

<http://tv.somanuals.com>