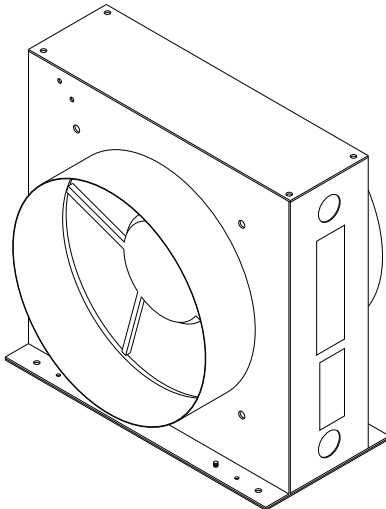
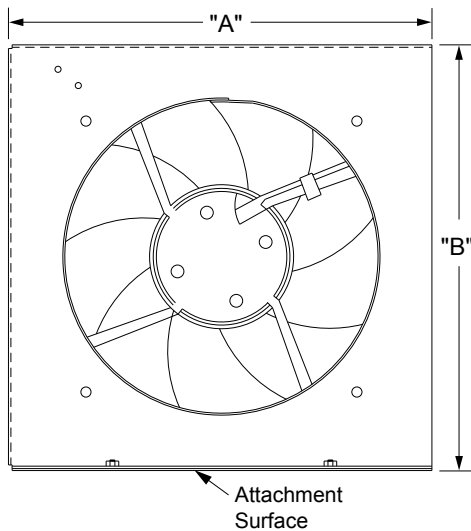


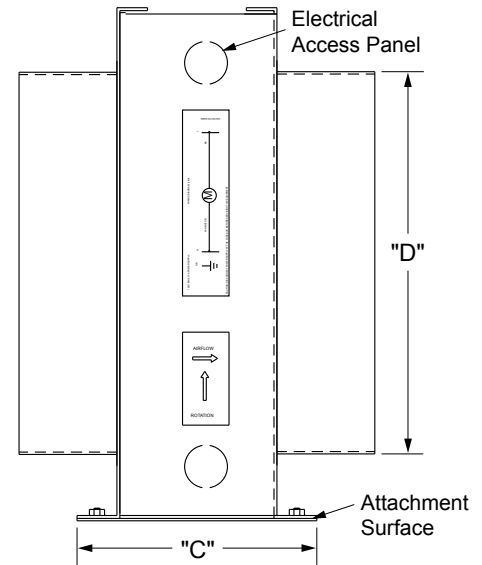
ILB8, ILB10



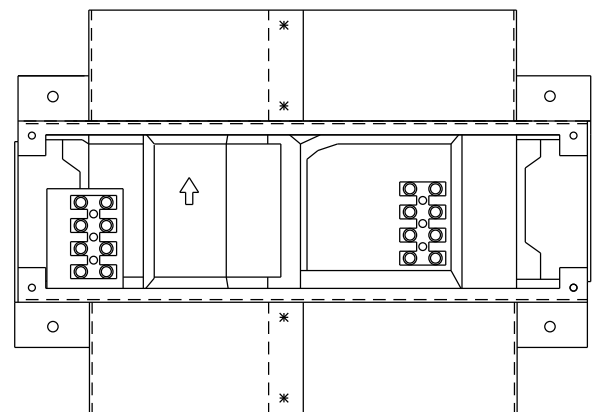
ISOMETRIC VIEW



OVERALL DIMENSIONS FRONT VIEW



OVERALL DIMENSIONS SIDE VIEW



TOP VIEW

NOTE:

- The ILB8 and ILB10 inline blowers are only approved in updraft (hood) applications.

Model No.	"A" Overall Chassis Width	"B" Overall Chassis Height	"C" Overall Chassis Length	"D" Duct Diameter	Dedicated Circuit Required	Maximum Duct Length	Total Connected Load	Blower Rating	Approximate Shipping Weight
ILB8	10 5/8" (270mm)	10 1/2" (267mm)	5" (127mm)	8" (203mm)	Refer to Ventilator Specifications	Max. 60 Equivalent Straight Feet	0.1kW (1A)	600 CFM	12 lbs.
ILB10	12 5/8" (321mm)	12 1/2" (318mm)		10" (254mm)			0.2kW (2A)	1100 CFM	16 lbs.

Free Manuals Download Website

<http://myh66.com>

<http://usermanuals.us>

<http://www.somanuals.com>

<http://www.4manuals.cc>

<http://www.manual-lib.com>

<http://www.404manual.com>

<http://www.luxmanual.com>

<http://aubethermostatmanual.com>

Golf course search by state

<http://golfingnear.com>

Email search by domain

<http://emailbydomain.com>

Auto manuals search

<http://auto.somanuals.com>

TV manuals search

<http://tv.somanuals.com>