

DCM24

ACTK27, ACTK30, ACTK36, APCTK27, APCTK30

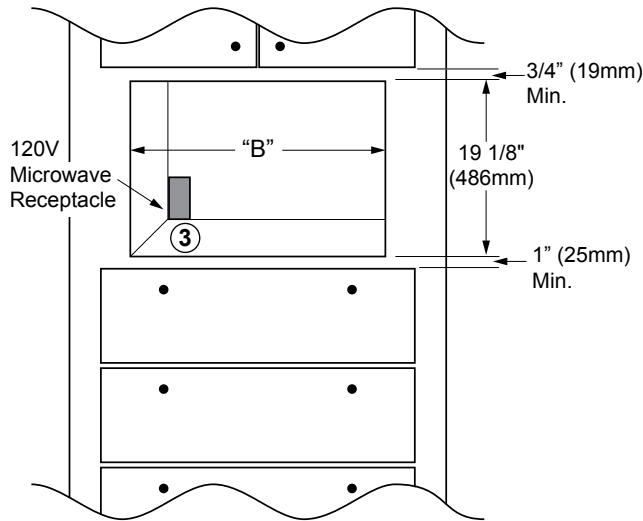


092105

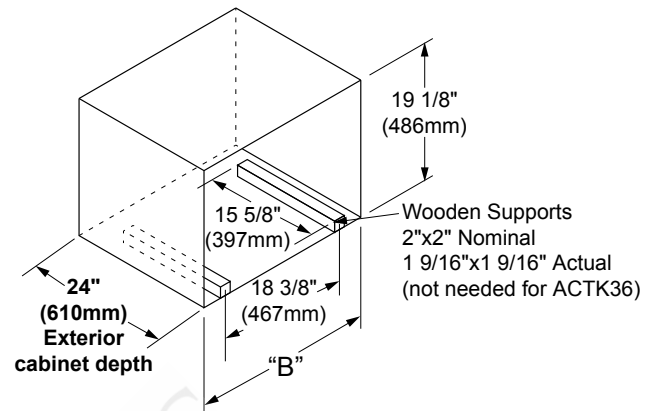
Convection Microwave Oven

1/1

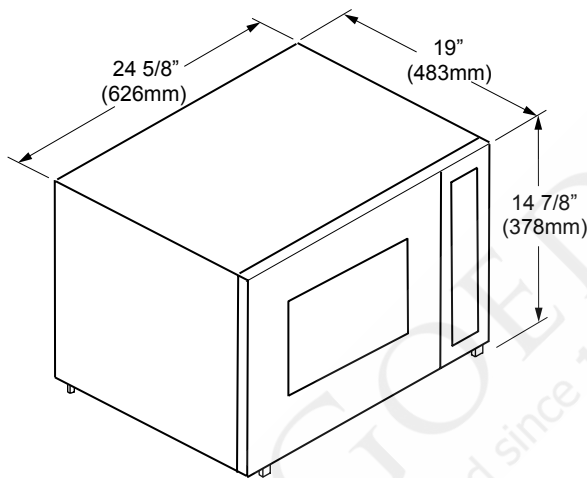
PLANNING GUIDE



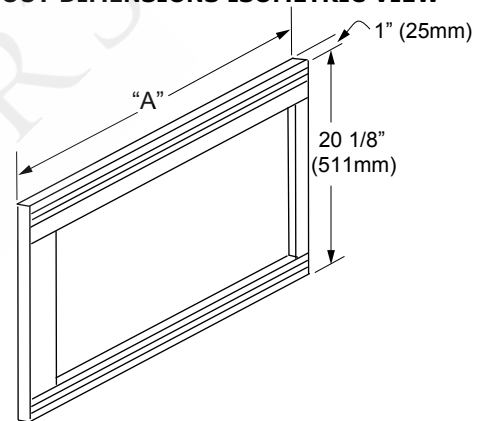
MICROWAVE AND TRIM KIT



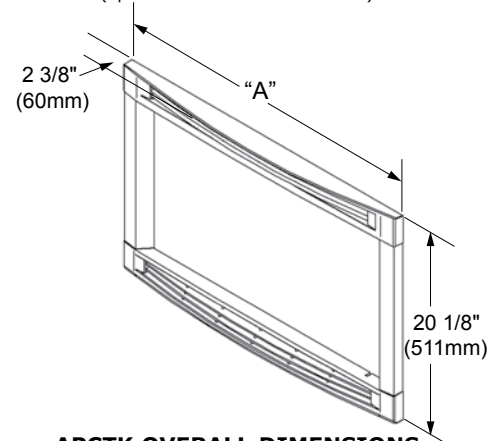
CUTOUT DIMENSIONS ISOMETRIC VIEW



DCM24 OVERALL DIMENSIONS



ACTK OVERALL DIMENSIONS
(Epicure™ or Millennia™ Trim Kit)



APCTK OVERALL DIMENSIONS
(Preference™ Trim Kit)



NOTE:

1. 24" (610mm) minimum exterior cabinet depth.
2. See the Combination Installation (CI) Section if installing with a wall oven, or warming oven.
3. 3/4" (19mm) support platform (flush with cutout).
4. Microwave is supplied with a 48" (1219mm) power cord, with a three prong grounded plug.

| Model No. | "A" Overall Width | "B" Cutout Width | Trim Kit Overlays | Dedicated Circuit Required | Total Connected Load | Approximate Shipping Weight |
|-----------|-------------------|------------------|-------------------|--------------------------------|----------------------|-----------------------------|
| DCM24 | - | - | | 120VAC, 60Hz, 15A (Breaker) | 1.6kW (13A) | 60 lbs. |
| ACTK27 | 27" (686mm) | 25 1/4" (641mm) | | | | 15 lbs. |
| ACTK30 | 30" (762mm) | 28 1/4" (718mm) | | | | 16 lbs. |
| ACTK36 | 36" (914mm) | 25" (635mm) | | | | 20 lbs. |
| APCTK27 | 27" (686mm) | 25 1/4" (641mm) | | | | 19 lbs. |
| APCTK30 | 30" (672mm) | 28 1/4" (718mm) | | | | 20 lbs. |

Web: <http://www.dacor.com>
Corporate Phone: 800-793-0093

Specifications are subject to change without notice. **12.2**
See installation instructions for additional details. L65343 rev C

Free Manuals Download Website

<http://myh66.com>

<http://usermanuals.us>

<http://www.somanuals.com>

<http://www.4manuals.cc>

<http://www.manual-lib.com>

<http://www.404manual.com>

<http://www.luxmanual.com>

<http://aubethermostatmanual.com>

Golf course search by state

<http://golfingnear.com>

Email search by domain

<http://emailbydomain.com>

Auto manuals search

<http://auto.somanuals.com>

TV manuals search

<http://tv.somanuals.com>