

MMD30, MMDV30

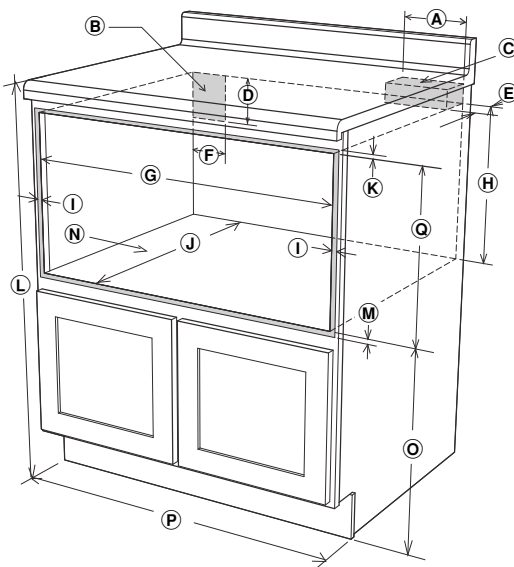


041007

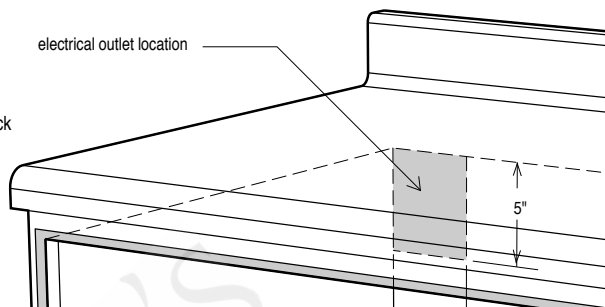
30" Microwave In-A-Drawer™

1/1

PLANNING GUIDE



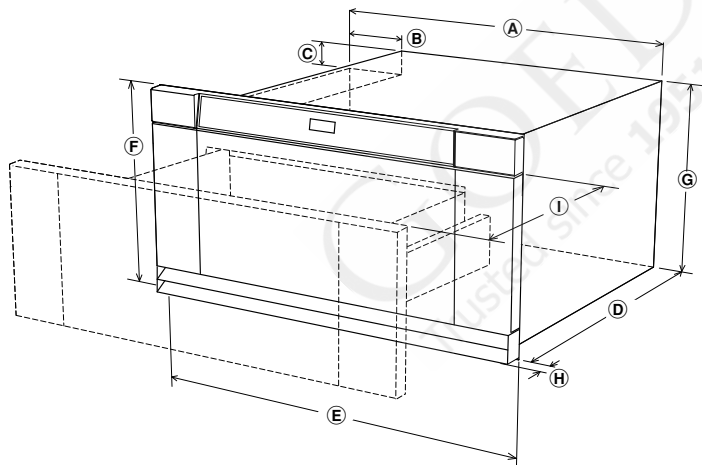
- A. 6"
- B. Electrical outlet location
- C. Anti-Tip block
- D. 5"
- E. 3 1/2"
- F. 4"
- G. 28 7/16" opening
- K. Allow 1/4" overlap
- H. 14 3/4" to bottom of Anti-Tip block
- I. Allow 3/4" overlap
- J. 23 1/2" minimum depth
- Q. 15 3/16" ± 1/16" opening
- L. 36" countertop height
- M. Allow 7/16" overlap
- N. Floor must support 100 lbs.
- O. 19" to top of floor
- P. *30" cabinet minimum



ELECTRICAL UTILITY LOCATION

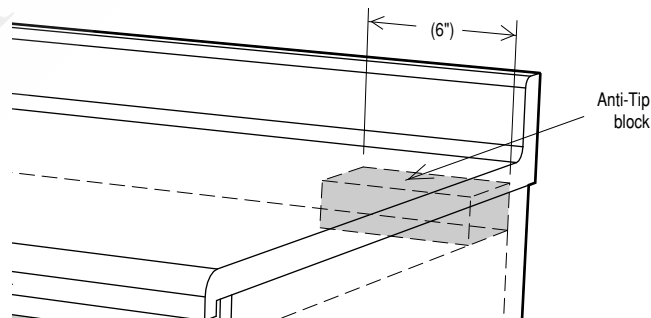
NOTE: Open Top Cabinet illustrated

CUTOUT DIMENSIONS



- A. 28 1/8"
- B. 4 11/16"
- C. 2"
- D. 23 3/8"
- E. 30"
- F. 15 5/8"
- G. 15 1/16"
- H. 1 1/4" door thickness
- I. 13 5/8" auto drawer opening

OVERALL DIMENSIONS



ANTI-TIP BLOCK LOCATION

Model No.	Dedicated Circuit Required	Total Connected Load	Approximate Shipping Weight
MMD30 MMDV30	120VAC, 60Hz, 15A (Breaker)	1.56kW (13A)	128 lbs.

Free Manuals Download Website

<http://myh66.com>

<http://usermanuals.us>

<http://www.somanuals.com>

<http://www.4manuals.cc>

<http://www.manual-lib.com>

<http://www.404manual.com>

<http://www.luxmanual.com>

<http://aubethermostatmanual.com>

Golf course search by state

<http://golfingnear.com>

Email search by domain

<http://emailbydomain.com>

Auto manuals search

<http://auto.somanuals.com>

TV manuals search

<http://tv.somanuals.com>