

# PMOR3021

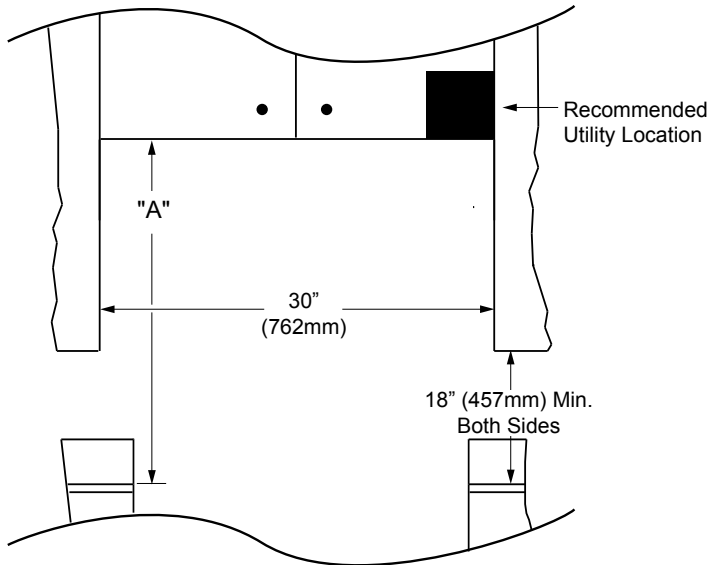
**dacor**  
The Life of the Kitchen.®

092105

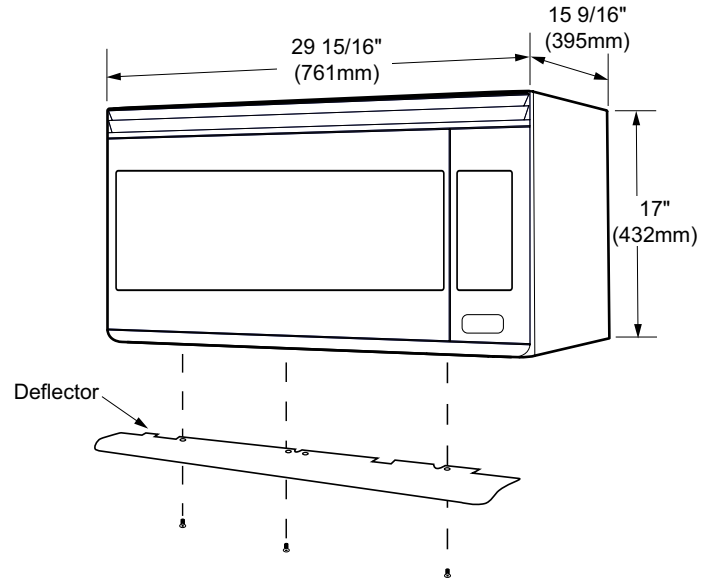
## Over the Range Microwave Oven

1/1

## PLANNING GUIDE



**UPPER CABINET DIMENSIONS**  
(Upper Cabinets 13" (330mm) Maximum Depth)

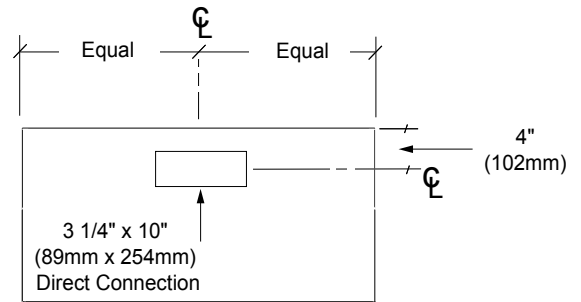


**OVERALL DIMENSIONS**

"A" - From Top of PMOR3021 to Finished Countertop
34" (864mm) Minimum <b>with</b> deflector for a maximum cooktop surface BTU rating of 44,000 BTU's.
36" (914mm) Minimum <b>without</b> deflector for a maximum cooktop surface BTU rating of 44,000 BTU's.
36" (914mm) Minimum <b>with</b> deflector for a maximum cooktop surface BTU rating of 60,000 BTU's.

**NOTES:**

- 30" electric cooktops or ranges can be installed at 34" (864mm) with deflector or 36" (914mm) without deflector for a maximum cooktop surface rating of 10,000 watts.
- Microwave is supplied with a 48" (1219mm) power cord, with a three prong grounded plug.



**MICROWAVE TOP VIEW EXHAUST LOCATION**

Model No.	Dedicated Circuit Required	Total Connected Load	Approximate Shipping Weight
PMOR3021	120VAC, 60Hz, 15A (Breaker)	1.45kW (12A)	60 lbs.

## Free Manuals Download Website

<http://myh66.com>

<http://usermanuals.us>

<http://www.somanuals.com>

<http://www.4manuals.cc>

<http://www.manual-lib.com>

<http://www.404manual.com>

<http://www.luxmanual.com>

<http://aubethermostatmanual.com>

Golf course search by state

<http://golfingnear.com>

Email search by domain

<http://emailbydomain.com>

Auto manuals search

<http://auto.somanuals.com>

TV manuals search

<http://tv.somanuals.com>