

# RANGE MODEL: ER30G

**dacor**  
The Life of the Kitchen.®

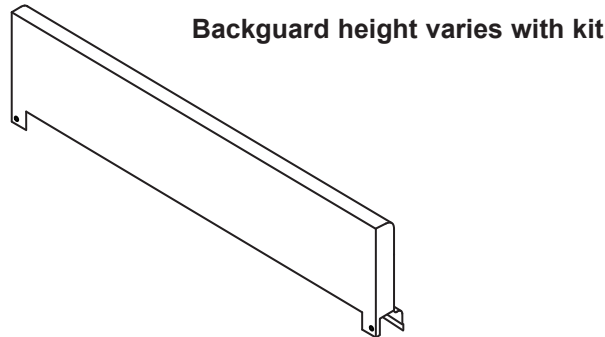
**Backguard Kits**  
**AERB30G03, AERB30G06, AERB30G09**

**INSTALLATION**  
**INSTRUCTIONS**



**DANGER:**

Electric shock and explosion hazard! Before installation, disconnect the power cord and shut off the gas supply valve.



## **Instructions:**

**STEP 1:** Disconnect the power cord to the range. Turn off the gas at the gas supply valve.

**STEP 2:** Slide the range out from the cabinet.

**STEP 3:** Remove the grates.

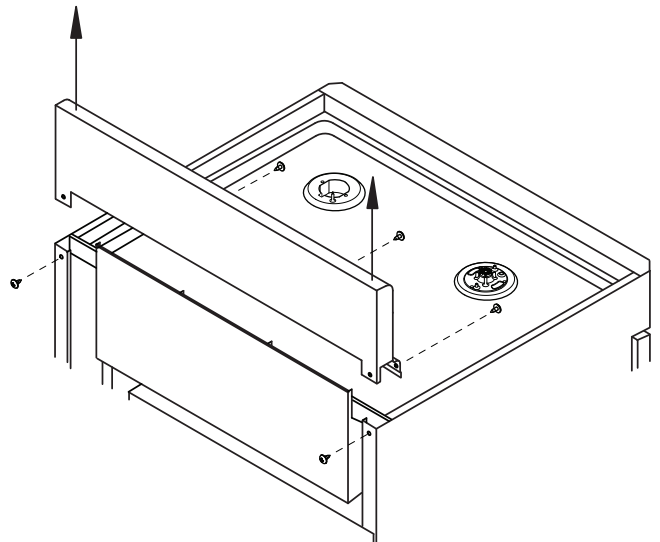
**⚠ WARNING:** Do not disassemble the range until it has cooled.

**STEP 4:** Remove and retain the three (3) screws on the front of the existing backguard.

**STEP 5:** Remove the two (2) top screws on the back of the side panels.

**STEP 6:** Remove the existing backguard.

**Continued on back...**



**Backguard Removal**

**STEP 7:** Remove the protective plastic cover from the new backguard.

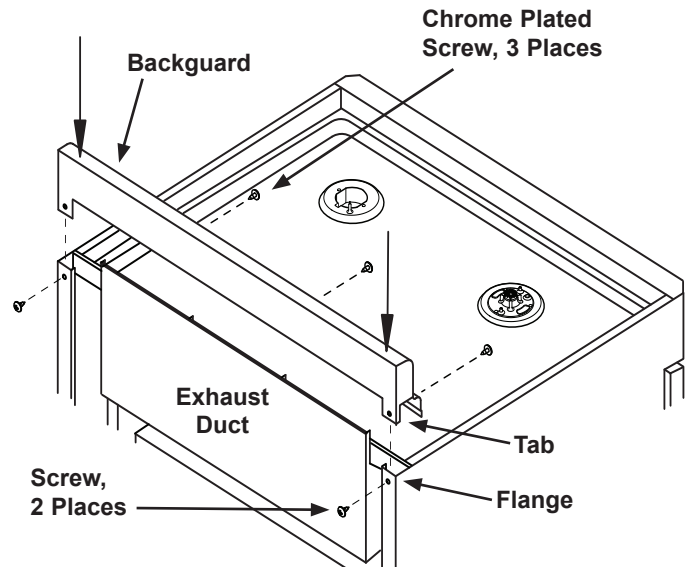
**STEP 8:** Place the new backguard over the back of the range. The backguard fits over the exhaust duct sticking up on the back of the unit. Be sure to slide the tabs on the back of the backguard inside the flanges on the back of the unit.

**STEP 9:** Fasten the backguard in place with the three (3) existing chrome plated screws.

**STEP 10:** Tighten the two (2) top screws on the back of the side panels.

**STEP 11:** Reinstall the grates.

**STEP 12:** Turn on the gas at the gas supply valve. Connect the power cord to the electrical outlet.



**dacor**  
The Life of the Kitchen.®

## Free Manuals Download Website

<http://myh66.com>

<http://usermanuals.us>

<http://www.somanuals.com>

<http://www.4manuals.cc>

<http://www.manual-lib.com>

<http://www.404manual.com>

<http://www.luxmanual.com>

<http://aubethermostatmanual.com>

Golf course search by state

<http://golfingnear.com>

Email search by domain

<http://emailbydomain.com>

Auto manuals search

<http://auto.somanuals.com>

TV manuals search

<http://tv.somanuals.com>