

REFRIGERATOR MODELS: EF36LNFSS and EF36RNFSS



Preference™ Handle Kit,
PN AFP36H2

INSTALLATION
INSTRUCTIONS

Tools Required

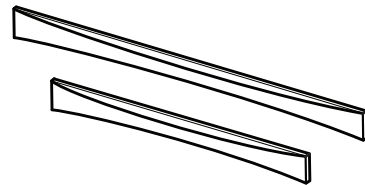
- 3/32" Allen wrench (not supplied)
- T20 Torx driver (EF36BNFSS Only)

Parts Included

Plastic Washers (4)



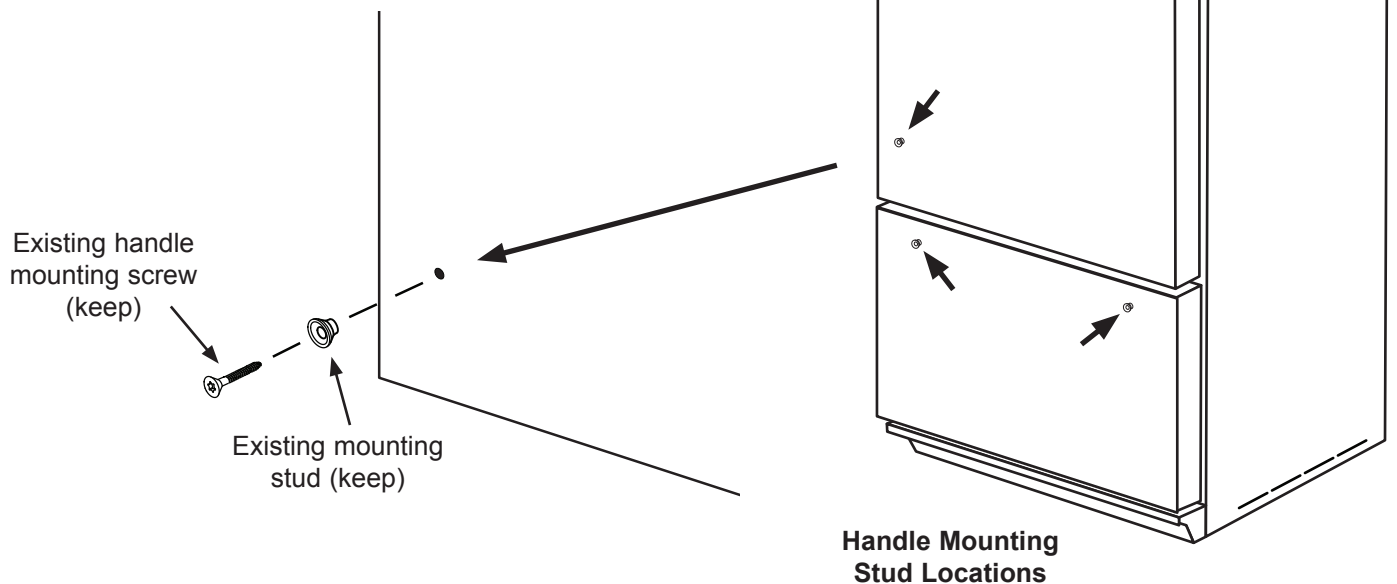
Preference Style Handles (1 large, 1 small)



Installation Preparation:

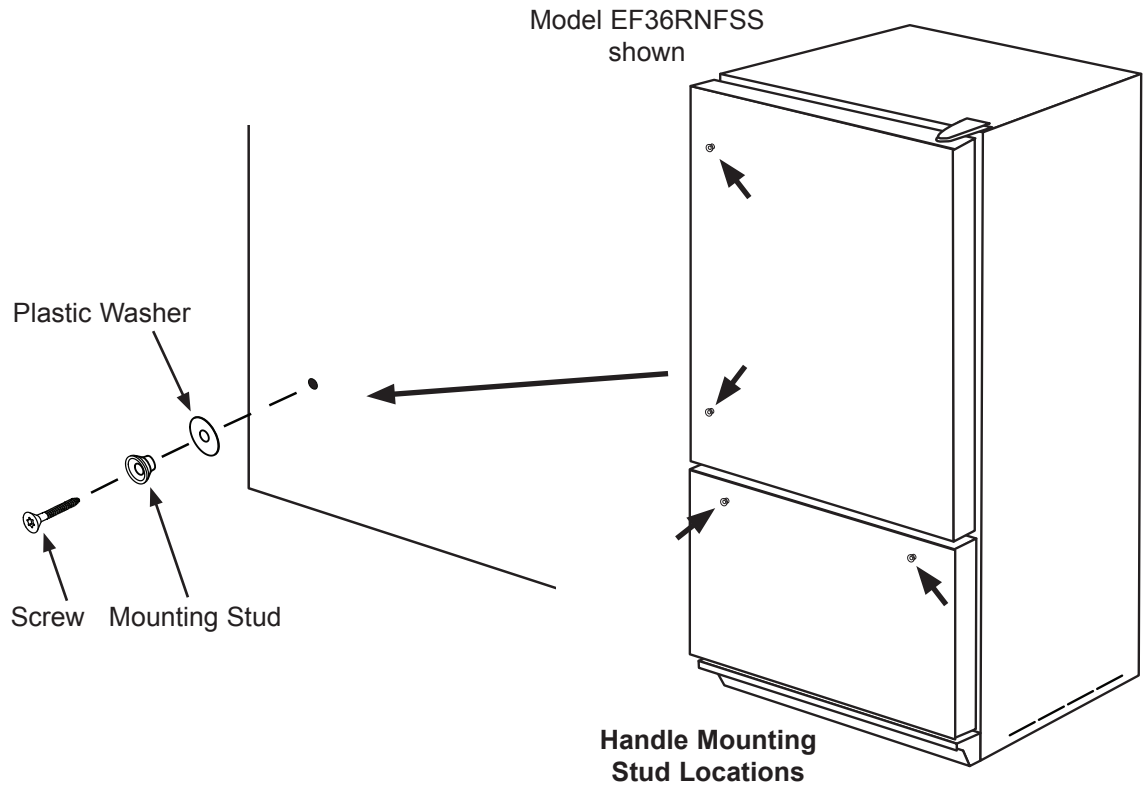
STEP 1: Using a T20 Torx driver, remove the four (4) handle mounting studs from the front of the refrigerator. Retain the mounting screws and studs.

Model EF36RNFSS shown



Refrigerator Handle Kit Installation Instructions

STEP 2: Reinstall the the screws and studs removed in step 1, inserting the provided plastic washers between the base of the studs and the refrigerator doors as shown.



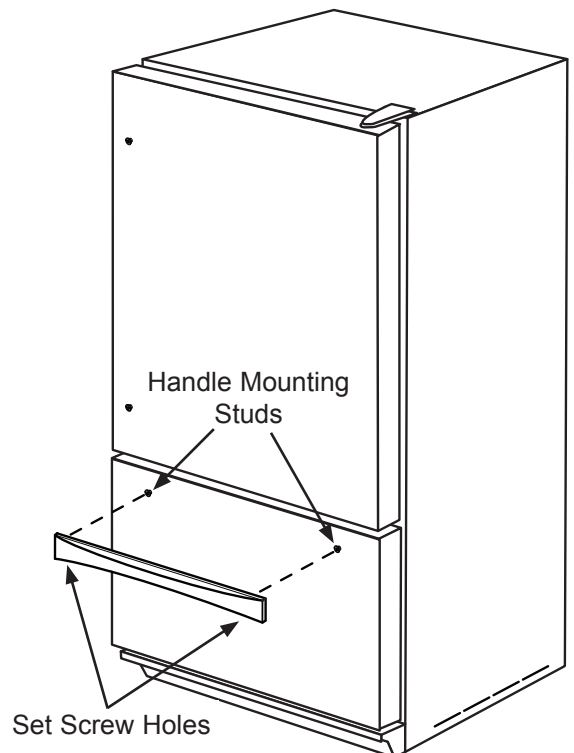
Bottom (Freezer) Handle Installation

STEP 3: Find the smallest of the two handles in the kit box.

STEP 4: Mount the handle to the bottom drawer by sliding the holes on the back over the handle mounting studs on the refrigerator. Make sure the set screw holes on the handle are facing toward the bottom. You may need to loosen the set screws using a 3/32" Allen wrench to allow the handle to slide into place.

STEP 5: Carefully tighten the set screws into place using the 3/32" Allen wrench. Be careful not to scratch the finish.

STEP 6: Check to make sure the handle is firmly attached.



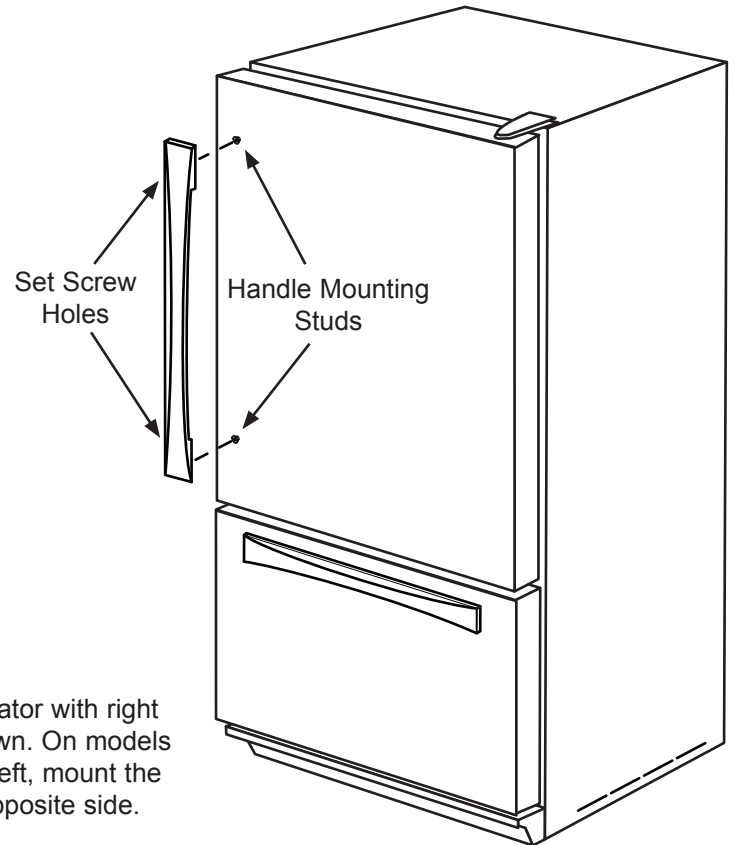
Refrigerator Handle Kit Installation Instructions

Top Handle Installation

STEP 7: Mount the handle to the top door by sliding the holes on the back over the handle mounting studs on the right door. Make sure the set screw holes face away from the center of the refrigerator. Loosen the set screws if necessary to allow the handle to slide into place.

STEP 8: Carefully tighten the set screws into place using the 3/32" Allen wrench. Be careful not to scratch the finish.

STEP 9: Check to make sure the handle is firmly attached.



NOTE: Refrigerator with right door swing shown. On models with hinges on left, mount the handle to the opposite side.



Free Manuals Download Website

<http://myh66.com>

<http://usermanuals.us>

<http://www.somanuals.com>

<http://www.4manuals.cc>

<http://www.manual-lib.com>

<http://www.404manual.com>

<http://www.luxmanual.com>

<http://aubethermostatmanual.com>

Golf course search by state

<http://golfingnear.com>

Email search by domain

<http://emailbydomain.com>

Auto manuals search

<http://auto.somanuals.com>

TV manuals search

<http://tv.somanuals.com>