

Service Manual

Color Television

CHASSIS : CN-012N / CN-012NA / CN-012NF

Model : DTQ-29M2FS DTQ-29M5SSN
DTQ-27U8SCN DTQ-29U8SSN



DTQ-29M2FS



DTQ-29M5SSN



DTQ-27U8SCN
DTQ-29U8SSN

■ Specification

Items	Model	DTQ-29M2FS	DTQ-29M5SSN	DTQ-29U8SSN	DTQ-27U8SCN
CHASSIS		CN-012N	CN-012NA	CN-012NF	
TV Standard		NTSC-M			
Power Input		AC120/220V, 50/60Hz			AC120V 60Hz
Power Consumption		130W			125W
Tuning System		Frequency Synthesizer(FS)Tuning System			
Tuning Ranges		TV VHF(L) : CH2 - CH6 UHF(H) : CH7 - CH13 UHF : CH14 - CH69 CATV VHF(L) : 5A, A, B, A-5-A-1 CH2 - CH6 VHF(H) : C-W+11 CH7 - CH13 UHF : W + 12 - W + 84			
Sound Output		7W+7W			5W+5W
Speaker		8 ohm 12W x 2EA			
Antenna Input impedance		75 ohm Unbalanced			
Auxiliary Input Terminal		Side : Video, Audio(R,L) Rear : Video, Audio(R,L)		Front : Video, Audio(R,L) Rear : Video, Audio(R,L)	
Auxiliary Output Terminal		Rear: Video, Audio(R,L)			
Intermediate Frequencies		Picture IF Carrier Frequency : 45.75MHz Sound IF Carrier Frequency : 41.25MHz Color Sub-Carrier Frequency : 3.579545MHz			
Remote Control		R-43A07			
Special Function		1) Icon Type 5) Digital Sensor (29M2FS) 2) 4-Language OSD 6) Surround 3) With CAPTION 7) AVC 4) CH Label 8) Wide Picture(Optional)			

DAEWOO ELECTRONICS CO., LTD.

[http : //svc.dwe.co.kr](http://svc.dwe.co.kr)

Sep. 2002

✍ **CAUTION** : In this Service Manual, some parts can be changed for improving their performance without notice in the parts list. So, if you need the latest parts information, please refer to PPL(Parts Price List)in Service information Center(<http://svc.dwe.co.kr>)

TABLE OF CONTENTS

SPECIFICATIONS	2
CIRCUIT BLOCK DIAGRAM	3
ALIGNMENT INSTRUCTIONS	4
YOUR REMOTE CONTROL	4
SERVICE MODE ADJUSTMENT	5
ASSEMBLY ADJUSTMENT	6
SCHEMATIC DIAGRAM	10
ELECTRICAL PARTS LIST	13
EXPLODED VIEW	62
PRINTED CIRCUIT BOARD	66

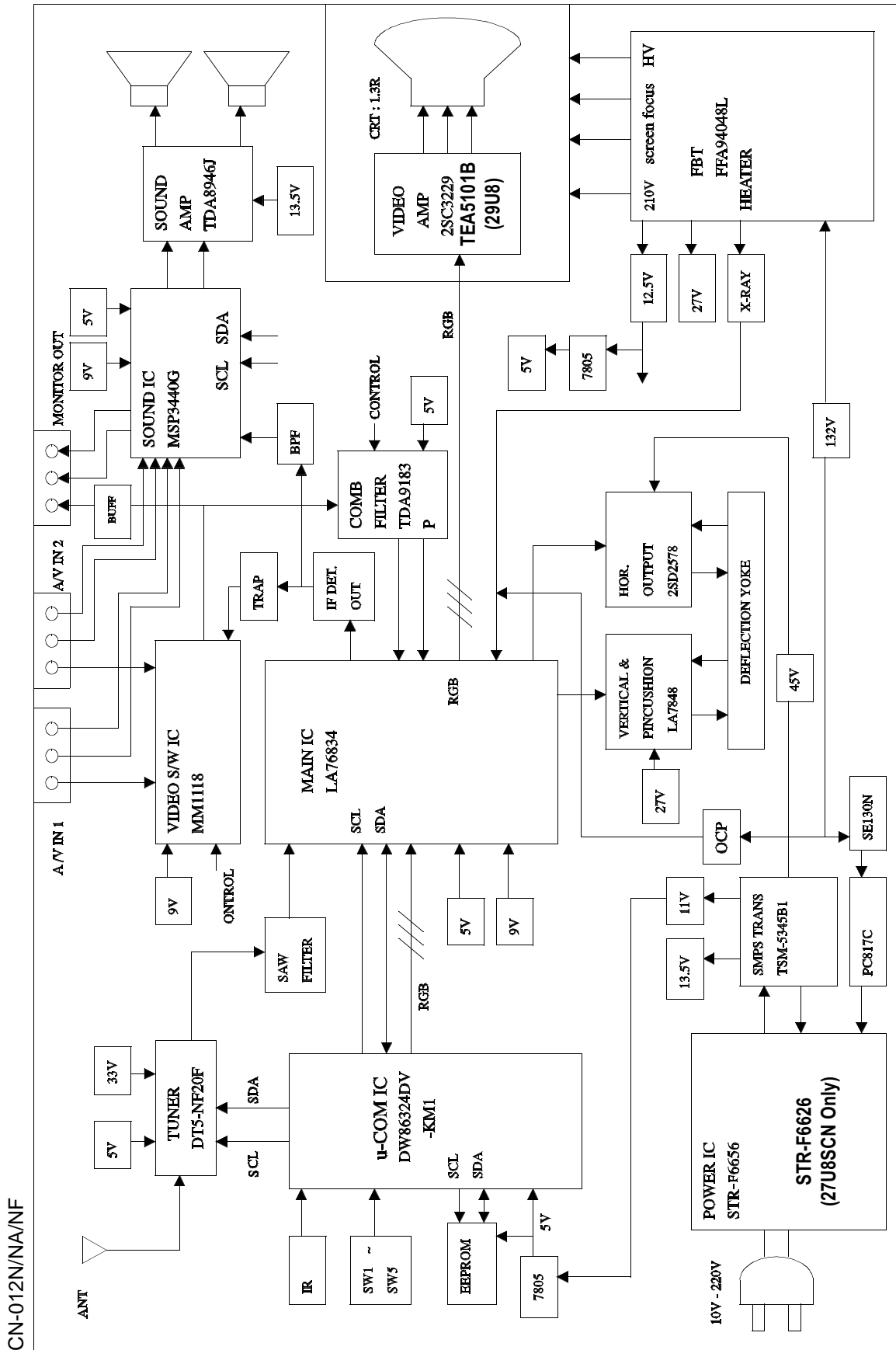
APPENDIX (Appendix is provide only by internet [<http://svc.dwe.co.kr>])

IC DESCRIPTION	69
CHIP COMPONENTS POSITION	71
TROUBLE SHOOTING GUIDE	83
NO POWER	83
NO PICTURE	84
NO SOUND	85
CH DON'T STOP	56
NO COLOR	87
NO VERTICAL DEFLECTION	87
NO ON-SCREEN DISPLY	88
NO REMOCON RECEIPT	88

SPECIFICATION

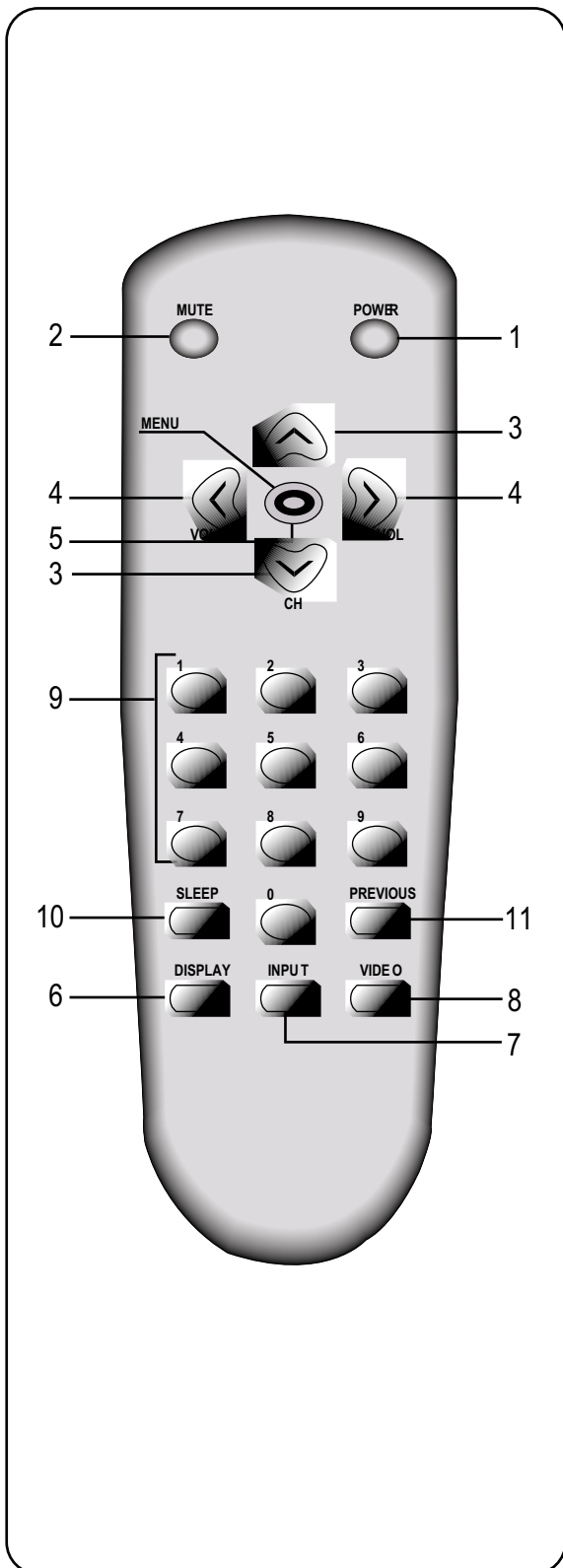
Items \ Model	DTQ-29M2FS	DTQ-29M5SSN	DTQ-29U8SSN	DTQ-27U8SCN
CHASSIS	CN-012N	CN-012NA	CN-012NF	
TV Standard	NTSC-M			
Power Input	AC120/220V, 50/60Hz			AC120V 60Hz
Power Consumption	130W			125W
Tuning System	Frequency Synthesizer(FS)Tuning System			
Tuning Ranges	TV VHF(L) : CH2 - CH6 UHF(H) : CH7-CH13 UHF : CH14-CH69 CATV VHF(L) : 5A, A,B, A-5-A-1 CH2 - CH6 VHF(H) : C-W+11 CH7 - CH13 UHF : W+12-W+84			
Sound Output	7W+7W			5W+5W
Speaker	8 ohm 12W x 2EA			
Antenna Input Impedance	75 ohm Unbalanced			
Auxiliary Input Terminal	Side : Video, Audio(R,L) Rear : Video, Audio(R,L)		Front : Video, Audio(R,L) Rear : Video, Audio(R,L)	
Auxiliary Output Terminal	Rear: Video, Audio(R,L)			
Intermediate Frequencies	Picture IF Carrier Frequency : 45.75MHz Sound IF Carrier Frequency : 41.25MHz Color Sub-Carrier Frequency : 3.579545MHz			
Remote Control	R-43A07			
Special Function	1) Icon Type 5) Digital Sensor (29M2FS) 2) 4-Language OSD 6) Surround 3) With CAPTION 7) AVC 4) CH Label 8) Wide Picture(Optional)			

CIRCUIT BLOCK DIAGRAM



ALIGNMENT INSTRUCTION

Your Remote Control(R-43A07)



- 1. POWER**
use this button to turn your TV on or off.
- 2. MUTE**
Use to turn the TV's sound on and off.
- 3. ▼CH▲**
Use these buttons to change your TV's volume, to activate selections in the menu system.
- 4. ◀VOL▶**
Use these buttons to change your TV's volume, to activate selections in the menu system, or to change audio and video settings.
- 5. MENU**
Use this button to turn the TV's menu system on and off.
- 6. DISPLAY**
Use this button to display the channel number and status.
- 7. INPUT**
Use this button to select the TV's signal source.
- 8. VIDEO**
Use this button to display video adjustment.
- 9. 0-9**
Use these buttons to change channels.
- 10. SLEEP**
Use this button to program the TV to turn off after a certain time.
- 11. PREVIOUS**
Use this button to return to the previous channel you were watching.

1. SERVICE MODE ADJUSTMENTS

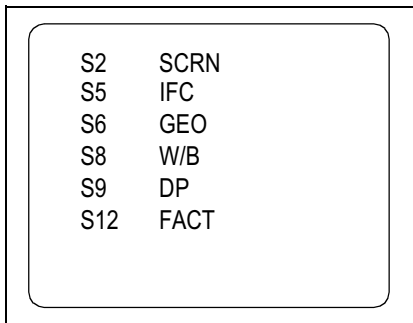
Follow the steps below whenever service adjustment is required. See Table- A and Table- B to determine if service adjustments are required.

1) How to enter the service mode using the user remote control.

- Turn the set on.
- Direct the remote control to the reception window of TV.
- Push buttons of remote control in sequence as follows.

1 \boxtimes **MUTE** \boxtimes **DISPLAY** \boxtimes **MUTE**

- Then, the screen will appear as follows.



- Using the channel up or channel down button, select the item you wish to adjust.
(The color of selected item turns into the red.)
- Press the volume up or down button to enter in the service mode you wish to adjust.

2) How to memorize the adjusted values in the service mode.

- Must press **DISPLAY** button the state which the screen is displaying each of service menus after all adjustments are completed each of all service menu.

Table-A : Adjust the values of service mode when a part is replaced.

PART REPLACED	ADJUSTMENT		NOTES
	NECESSARY	UNNECESSARY	
I701 (U-COM)		○	Data is stored in I703.
I101 (MAIN)		○	
I702 (EEPROM)	○		Initial setting values are written from I701. ADJUSTING ITEMS S5 : RFAGCD S6 : H.PHASE/V.POSI/V.SIZE S8 : RD/GD/BD/RB/GB/BB S9 Subbrightness
CRT	○		Adjust items related to picture tube only.(White Balance adjustment)

ALIGNMENT INSTRUCTION

Table-B

MODE	ADJUSTMENT	DATA		REMARKS
		INITIAL	RANGE	
S2	Screen Adjustment			
S5	IF CONTROL			
	RF AGC DELAY *	20	0~63	Align RF AGC threshold
	AGC POINT	3.75	3.25~4.0	Select AGC reference voltage
	A/D VALUE	-	-	
	FM/AM PRESCALE	18	0~255	Must be set to 18
	SCART PRESCALE	18	0~255	Must be set to 18
S6(4:3)	MONITOR VOLUME	119	0~255	Must be set to 119
	H-CENTER *	11	0~31	Align sync to flyback pulse,using internal cross pattern(s11)
	V-CENTER *	22	0~63	Align vertical DC bias,using internal cross pattern(s11)
	V-LIN *	12	0~31	Must be set to 12
	H-SIZE *	32	0~63	Align sync to flyback pulse,using internal cross pattern(s11)
	V-SIZE *	96	0~127	Align vertical amplitude,using internal cross pattern(s11)
	V-S	12	0~31	Must be set to 12
	V-SIZE-C	7	0~7	Must be set to 7
	P-CUSHION *	30	0~63	Align pincution,using internal cross pattern(s11)
	TILT *	37	0~63	Align tilt,using internal cross pattern(s11)
	TOP-C	8	0~15	Must be set to 8
S8	BOT-C	8	0~15	Must be set to 8
	R-DRIVE *	63	0~127	Align red out AC level
	G-DRIVE *	15	0~15	Must be set to 15
	B-DRIVE *	63	0~127	Align blue out AC level
	R-BIAS *	127	0~255	Align red out DC level
	G-BIAS *	127	0~255	Must be set to 127
S9	B-BIAS *	127	0~255	Align blue out DC level
	SUB-BRIGHT *	75	0~127	Align common RGB DC level
	DP-CONTRAST	27	0~27	
	DP-SHARPNESS	5	0~30	
	DP-COLOR	27	0~27	
	DP-TINT	38	0~77	
	VIDEO LEVEL	7	0~7	
S11	FM LEVEL	30	0~31	
	internal black	-	-	Display internal black pattern
	internal 100% white	-	-	Display internal 100% white
	internal 60% white	-	-	Display internal 60% white
S12	internal cross pattern	-	-	Display internal cross pattern
	Forwarding Mode	-	-	Factory initialization

* indicates the items with different settings each of sets

2. ASSEMBLY ADJUSTMENTS

1) SCREEN ADJUSTMENT (S2)

- Enter the service mode and select service adjustment S2.
- You can see the one horizontal line on the screen.
- Adjust the Screen Control Volume (located on FBT) so that the horizontal line onscreen may be disappeared.
- Press the volume up or down button to exit in the screen adjustment mode.

CAUTION

IN THE SCREEN ADJUSTMENT MODE, DONT PRESS OTHER BUTTONS EXCEPT VOLUME UP OR DOWN BUTTON.

2) FOCUS ADJUSTMENT

- Turn in a local station and adjust the Focus Control knob (located on FBT) for best picture details at high light condition.

3) RF AGC DELAY ADJUSTMENT (S5)

- Receive a good local channel.
- Enter the service mode and select service adjustment S5.
- You can see the OSD as shown in below.

IF	CONTROL	
AUTO	RFAGC	START
	RFAGC DELAY	2.0
	AGC POINT	3.75
	A/D VALUE :9DH	
	FM/AM PRESCALE	18
	SCART PRESCALE	18
	MONITOR VOLUME	119

▲▼ MOVE ◀▶ ADJUST RECALL : SET

- Select RFAGCD item, press the volume up or down button until noise or beat in picture disappears.
- Press the DISPLAY button to memorize the data.

4) GEOMETRIC ADJUSTMENTS (S6)

- Enter the service mode and select service adjustment S11.
- Whenever you select the "S11" using the volume up or down button, the screen is changing like this.



- Using the volume up or down button, select internal cross pattern.
- Select service adjustment S6
- You can see the OSD as shown in below.

H-CENTER	11
V-CENTER	22
V-LIN	12
H-SIZE	32
V-SIZE	96
V-S	12
V-SIZE-C	7
PIN	30
TILT	37
TOP-C	8
BOT-C	8

WVPOS	48
W-VSIZE	22
W-VLIN	12
W-VS	12
W-PCUTION	17
W-TILT	37
W-TOPC	8
W-BOTC	8

4-1. Horizontal Position Adjustment

- Select H-CENTER item, adjust H-CENTER data value to obtain proper horizontal centering of the internal cross pattern at the left and right of the screen.

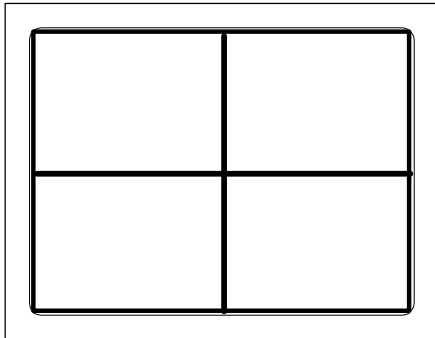
4-2. Vertical Position Adjustment

- Select V-CENTER item, adjust V-CENTER data value to center the raster properly on the screen.

ALIGNMENT INSTRUCTION

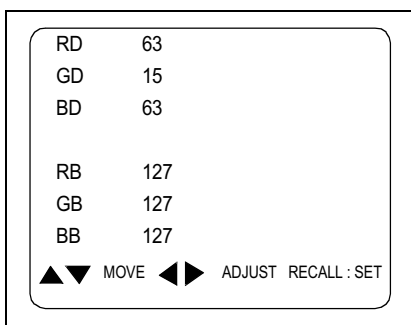
4-3. Vertical Size Adjustment

- Select "V.SIZE" item, adjust "V.SIZE" data value to proper vertical size as follows.



5) WHITE BALANCE ADJUSTMENT(S8)

- Receive a good local channel.
- Enter the service mode and select service adjustment S8.
- You can see the OSD as shown in below.

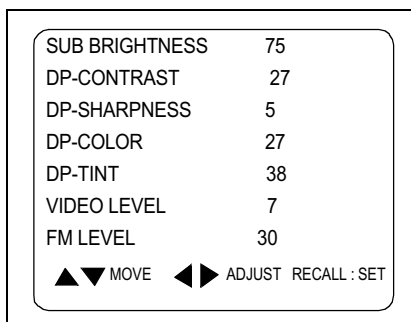


- Using volume up or volume down, adjust service adjustment data of RD/GD/BD and RB/GB/BB until a good gray scale with normal whites is obtained.
- Press the DISPLAY button to memorize the data.

6) DIGITAL PRESET(D.P) ADJUSTMENTS(S9)

SUBBRIGHTNESS ADJUSTMENT

- Receive a good local channel.
- Enter the service mode and select service adjustment S9.
- You can see the OSD as shown in below.



- Select Subbrightness item, adjust Subbrightness data value to obtain normal brightness level.
- Press the DISPLAY button to memorize the data.

CONTRAST

- Fixed value = 27

TINT

- Fixed value = 38

COLOR

- Fixed value = 27

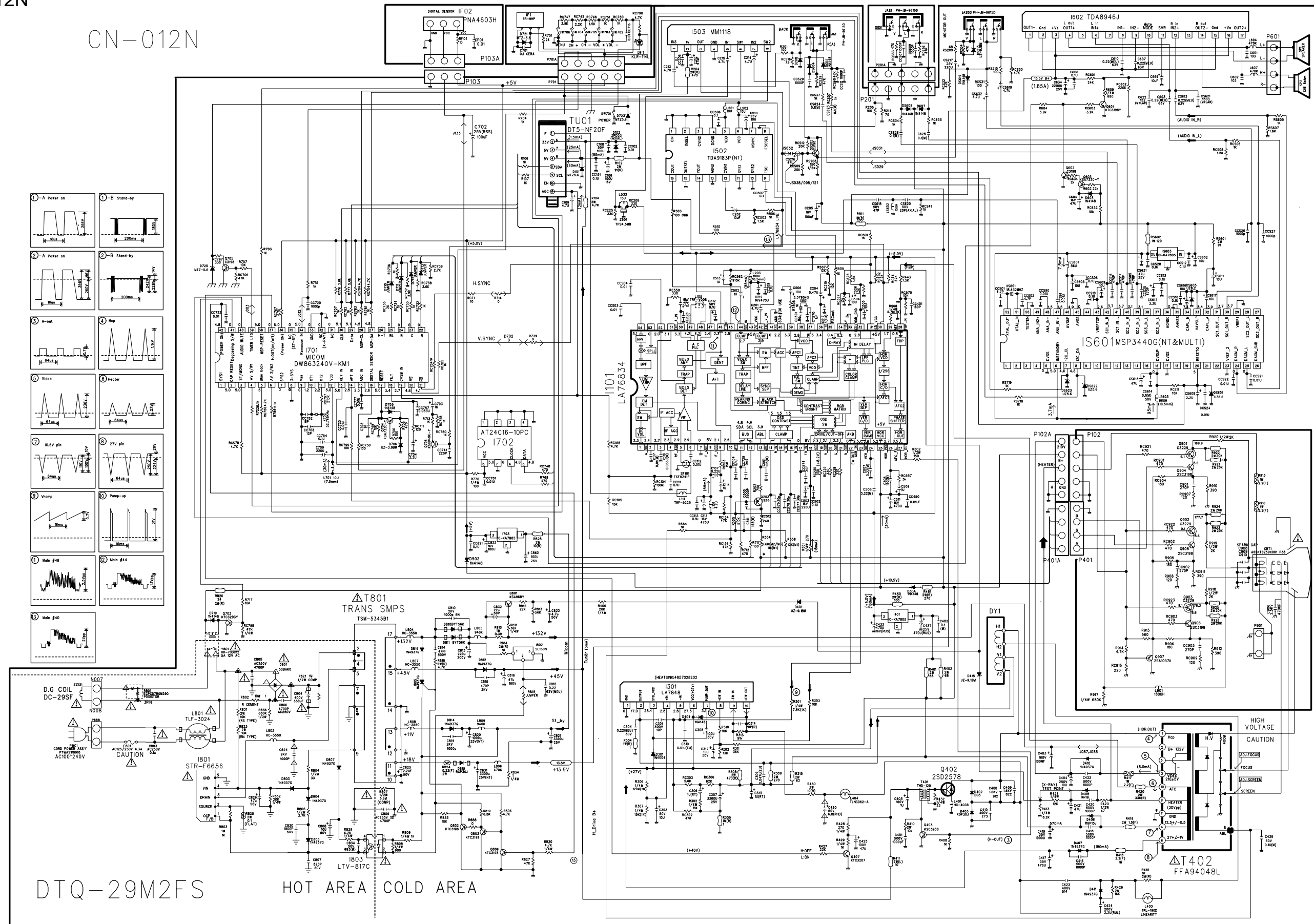
7) FACTORY OUTGOING MODE (S12 : FACT)

- If you select the S12, then the set becomes factory outgoing status.
- You can see the OSD "outgoing OK"

SCHEMATIC DIAGRAM

1. CN-012N

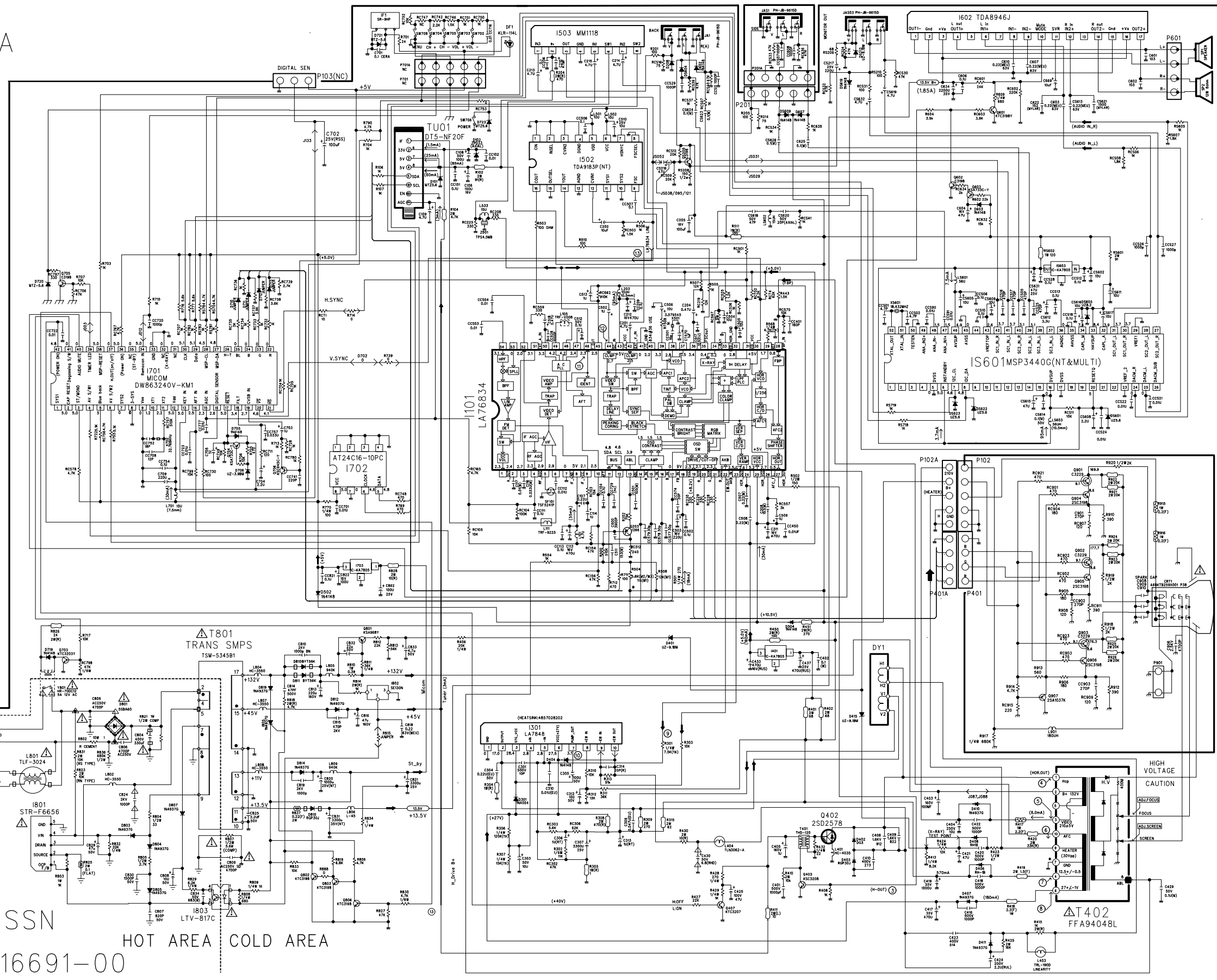
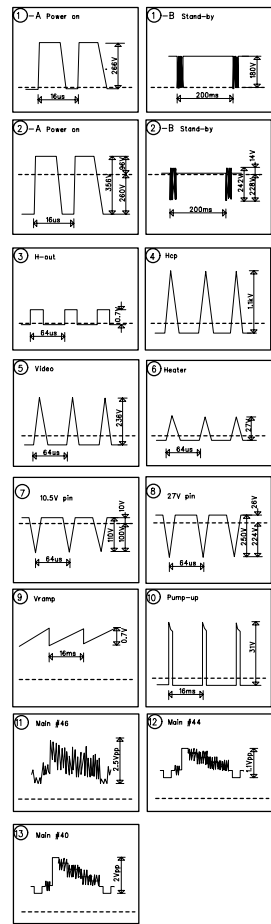
CN-012N



SCHEMATIC DIAGRAM

2. CN-012NA

CN-012NA



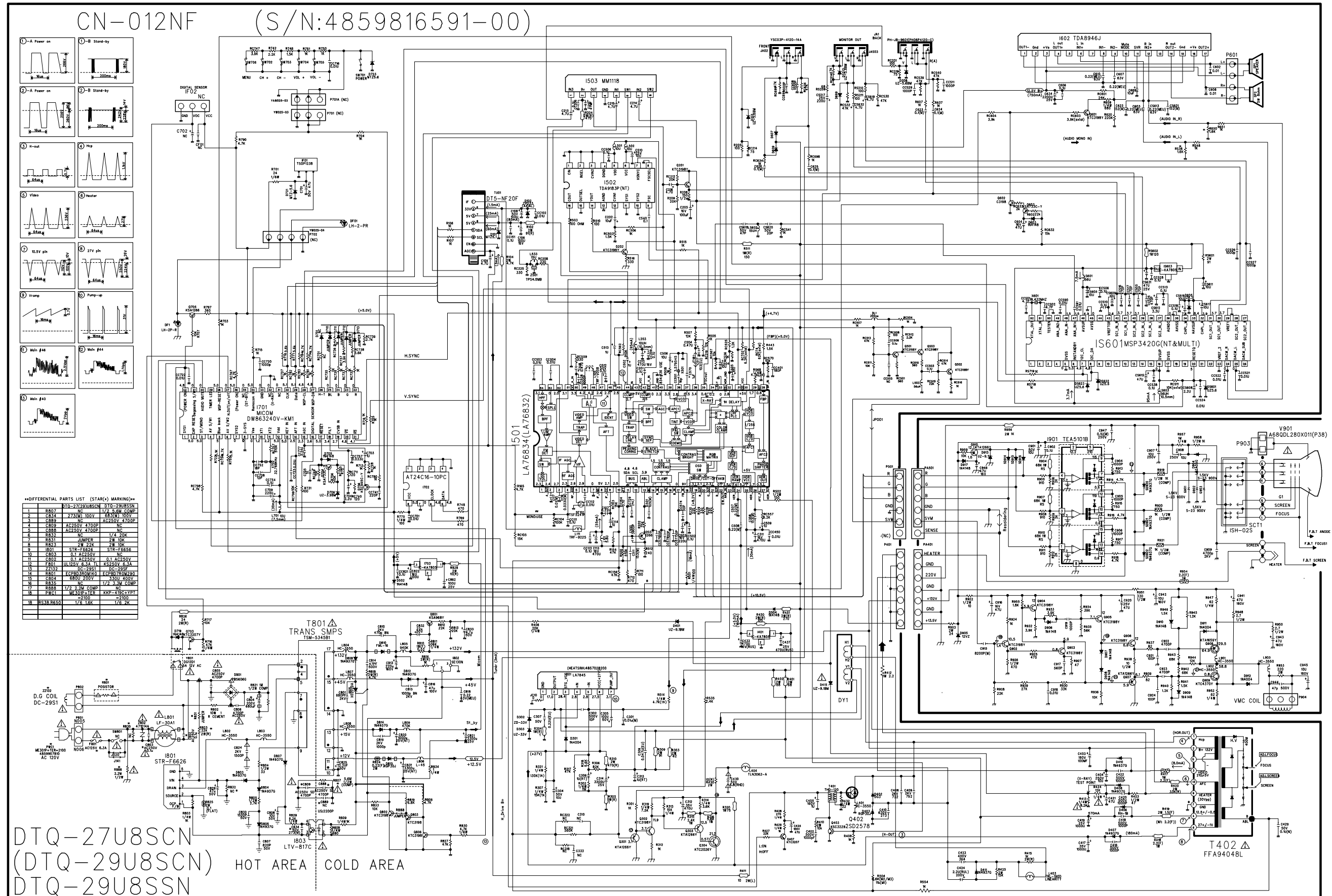
DTQ-29M5SSN

S/N:4859816691-00

HOT AREA COLD AREA

SCHEMATIC DIAGRAM

3. CN-012NF



ELECTRICAL PARTS LIST

CAUTION

"I" is a safety part, so it must be used the same part.
"R" is a recommendable part for essential stock.

**THIS BOM IS BASED ON DTQ-27U8SCN.

NO	LOC	PARTS CODE	PARTS NAME	PARTS DESCRIPTION	REMARK
1	ZZ100	48B434A07	TRANSMITTER REMOCON	R-43A07 (AA)	Ⓡ
2	ZZ110	PTACPWK003	ACCESSORY AS	DTQ-29U8F	⚠
3	0030	4850Q00910	BATTERY	R03/NN	
4	0040	48586012E1	MANUAL INSTRUCTION	ENGLISH	
5	M351	4853534301	HOLDER ANT	HIPS BK	
6	M821	4858213800	BAG INSTRUCTION	L.D.P.E T0.05X250X400	
7	ZZ120	PTBCSHK007	COVER BACK AS	DTQ-29U8SCN	
8	M211	4852160400	COVER BACK	FR HIPS GY 29U8	
9	M591	4855936700	DECO AV	PVC T0.25	
10	M781	4857817630	CLOTH BLACK	FELT 400X20X0.7	
11	M782	4857817612	CLOTH BLACK	FELT 250X20X0.7	
12	ZZ130	PTPKCPK003	PACKING AS	DTQ-29U8F	
13	10	6520010100	STAPLE PIN	AUTO W65	
14	M681	4856812400	BAND PP AUTO	T1.1XW17mmXL770M	
15	M801	4858059700	BOX CARTON	DW-3 29U8	
16	M811	4858198100	PAD	EPS 29U8	
17	M821	4858215600	BAG P.E	PE FOAM t0.5x1600x1270	
18	ZZ131	48519A4210	CRT GROUND NET	2901H-1015-2P	
19	ZZ132	58G0000143	COIL DEGAUSSING	DC-29S1	⚠
20	ZZ140	PTCACAK007	CABINET AS	DTQ-29U8SCN	
21	M201A	4856015821	SCREW CRT FIX	SWRM+SK5 L=35	
22	M201B	4856215404	WASHER RUBBER	CR T4.0	
23	M201E	4856816300	CLAMP WIRE	NYLON 6 (V0)	
24	M211A	7172401612	SCREW TAPPTITE	TT2 TRS 4X16 MFZN BK	
25	M211B	7172401612	SCREW TAPPTITE	TT2 TRS 4X16 MFZN BK	
26	M211C	7178301212	SCREW TAPPTITE	TT2 WAS 3X12 MFZN BK	
27	M541	4855419800	SPEC PLATE	ART 150	
28	M686	4856812001	TIE CABLE	NYLON66 DA100	
29	V901	4859635261	CRT	A68QDL280X011(B) P45	⚠
30	ZZ200	PTFMSJK007	MASK FRONT AS	DTQ-29U8SCN	
31	M191	4851944701	DOOR AS	2823101+5544901 29U8	
32	M201	4852078800	MASK FRONT	FR HIPS GY 29U8	
33	M481	4854860900	BUTTON POWER	FR ABS GY 29U8	
34	M481A	4856716000	SPRING	SWPA PIE0.5	
35	M491	4854950400	BUTTON CH	FR ABS GY 29U8	
36	M491A	7178301011	SCREW TAPPTITE	TT2 WAS 3X10 MFZN	
37	M501	4855060301	DECO CTRL	PVC T0.25	
38	M561	48556174SD	MARK BRAND	SILVER DIA-CUTTING	
39	M592	4855936301	DECO EYE	ABS BLUE	
40	M592A	7178301011	SCREW TAPPTITE	TT2 WAS 3X10 MFZN	

ELECTRICAL PARTS LIST

NO	LOC	PARTS CODE	PARTS NAME	PARTS DESCRIPTION	REMARK
41	M791	4857923300	DOOR LOCK	LA701(KIFCO)	
42	ZZ210	PTSPPWK003	SPEAKER AS	DTQ-29U8F	
43	PA601	4850704S32	CONNECTOR	YH025-04+YRT205+ULW900500	
44	SP01	4858315210	SPEAKER	SP-78128F02	
45	SP01A	7172401212	SCREW TAPPTITE	TT2 TRS 4X12 MFZNBK	
46	SP02	4858315210	SPEAKER	SP-78128F02	
47	SP02A	7172401212	SCREW TAPPTITE	TT2 TRS 4X12 MFZNBK	
48	ZZ290	PTMPMSK007	PCB MAIN MANUAL AS	DTQ-29U8SCN	
49	10	2193102005	SOLDER BAR	SN:PB=63:47 S63S-1320	
50	30	2291050616	FLUX SOLDER	JS-64T3	
51	40	2291050301	FLUX SOLVENT	IM-1000	
52	C314	CEYF1E332V	C ELECTRO	25V RSS 3300MF (16X31.5)	
53	C408	CMYH3D822J	C MYLAR	2KV BUP 8200PF J	
54	C409	CMYH3D752J	C MYLAR	2KV BUP 7500PF J	
55	C410	CMYE2J273J	C MYLAR	630V PU 0.027MF J	
56	C423	CMYE2G364J	C MYLAR	400V PU 0.36MF J	
57	C430	CEYD1H689W	C ELECTRO	50V RHD 6.8MF (16X35.5)	
58	C803	CL1UC3104M	C LINE ACROSS	WORLD AC250V 0.1UF M R.47	
59	C804	CEYD2D681D	C ELECTRO	200V FHS 680MF (25X40)	
60	C809	CH1BFE472M	C CERA AC	AC400V 4700PF M U/C/V	⚠
61	C813	CEYF2C221V	C ELECTRO	160V RSS 220MF (18X35.5)	
62	C821	CEYF1E332V	C ELECTRO	25V RSS 3300MF (16X31.5)	
63	C824	CBYB3D152K	C CERA SEMI	2KV BL(N) 1500PF K	
64	C831	CEYF1E332V	C ELECTRO	25V RSS 3300MF (16X31.5)	
65	C888	CH1BFE472M	C CERA AC	AC400V 4700PF M U/C/V	⚠
66	D402	DDG3-----	DIODE	DG3	Ⓜ
67	D403	DRGP30J---	DIODE	RGP30J	Ⓜ
68	D801	PTC1SW8902	HEAT SINK ASS'Y	DPBS606GU- + 7174300811	⚠
69	D801	DPBS606GU-	DIODE BRIDGE	PBS606G	⚠
70	D801A	4857018902	HEAT SINK	A1050P-H24	⚠
71	D801B	7174300811	SCREW TAPPTITE	TT2 RND 3X8 MFZN	
72	D810	PTS2SW6900	HEAT SINK ASS'Y	DFMLG16S-- + 7128301011	Ⓜ
73	00001	DFMLG16S--	DIODE	FML-G16S	Ⓜ
74	0000A	4857026900	HEAT SINK	AL EX	Ⓜ
75	0000B	7174300811	SCREW TAPPTITE	TT2 RND 3X8 MFZN	
76	D815	DRGP30J---	DIODE	RGP30J	Ⓜ
77	DF01	DLH2PR----	LED BLOCK	LH-2P-R	Ⓜ
78	DL01	58Q0000095	COIL DELAY LINE	SDL-4297 (NTSC)	Ⓜ
79	F801	5F1GB6321L	FUSE GLASS TUBE	UL/CSA TL 6.3A 125V MF51	⚠
80	I301	PTE2SW7921	HEAT SINK ASS'Y	1LA7845N-- + 7174300811	Ⓜ
81	00001	1LA7845N--	IC	LA7845N	Ⓜ
82	0000A	4857027921	HEAT SINK	AL EX BK	Ⓜ
83	0000B	7174300811	SCREW TAPPTITE	TT2 RND 3X8 MFZN	
84	I401	PTJ2SW6902	HEAT SINK ASS'Y	1KA7805--- + 7178301212	Ⓜ
85	00001	1KA7805---	IC REGULATOR	KA7805	Ⓜ

ELECTRICAL PARTS LIST

NO	LOC	PARTS CODE	PARTS NAME	PARTS DESCRIPTION	REMARK
86	0000A	4857026902	HEAT SINK	AL EX BK	Ⓜ
87	0000B	7178301212	SCREW TAPPTITE	TT2 WAS 3X12 MFZN BK	
88	I501	1LA76834--	IC MAIN	LA76834	Ⓜ
89	I502	1TDA9183P-	IC COMBFILTER	TDA9183P	Ⓜ
90	I503	1MM1118---	IC A/V SWITCH	MM1118	Ⓜ
91	I602	PTL2SW8210	HEAT SINK ASS'Y	1TDA8946J- + 7174301011	Ⓜ
92	00001	1TDA8946J-	IC AUDIO AMP	TDA8946J	Ⓜ
93	0000A	4857028210	HEAT SINK	AL EX	Ⓜ
94	0000B	7174301011	SCREW TAPPTITE	TT2 RND 3X10 MFZN	
95	I701	1DW8632KM1	IC MICOM	DW863240V-KM1(5V37)	Ⓜ
96	I702	1AT24C16PC	IC	AT24C16-10PC	Ⓜ
97	I703	1KA7805---	IC REGULATOR	KA7805	Ⓜ
98	I801	PTM2SW8210	HEAT SINK ASS'Y	1STRF6626- + 7174301011	Ⓜ
99	00001	1STRF6626-	IC POWER	STR-F6626	Ⓜ
100	0000A	4857028210	HEAT SINK	AL EX	Ⓜ
101	0000B	7174301011	SCREW TAPPTITE	TT2 RND 3X10 MFZN	
102	I802	1DP130----	IC ERROR AMP	DP130	Ⓜ
103	I803	1KP1010C--	IC PHOTO COUPLER	KP-1010C	⚠
104	I805	TX0202DA--	THYRISTOR	X0202DA1BA2	Ⓜ
105	IF01	1TS0P1238W	IC PREAMP	TS0P1238WI1	Ⓜ
106	IS601	1MSP3420B8	IC SOUND PROCESSOR	MSP3420G-P0-B8	Ⓜ
107	IS603	1KA7805---	IC REGULATOR	KA7805	Ⓜ
108	JA01	4859107050	JACK PIN BOARD	PH-JB-9601 (PH06P-4120-C)	
109	JA02	4859108450	JACK PIN BOARD	YSC03P-4120-14A	
110	L105	58N0000042	COIL VCO	TRF-V008	
111	L403	58H0000047	COIL H-LINEARITY	TRL-190D	
112	L404	58C7070085	COIL CHOKE	TLN-3062A	
113	L801	5PLF30A1--	FILTER LINE	LF-30A1	⚠
114	L806	58C4500079	COIL CHOKE	L-45	
115	M371A	4853747800	RETA PCB	NYLON 66	
116	M682	4856813600	HOLDER WIRE	NYLON 66 DAWH-13NA	
117	M683	4856812001	TIE CABLE	NYLON66 DA100	
118	PA201	4850706S12	CONNECTOR	YH025-06+YBNH250+ULW=300	
119	PWC1	4859907810	CORD POWER AS	ME301P+TER=2100	⚠
120	Q304	PTE2SW7607	HEAT SINK ASS'Y	TKTC2026Y- + 7178301212	Ⓜ
121	00001	TKTC2026Y-	TR	KTC2026Y	Ⓜ
122	0000A	4857027607	HEAT SINK	AL EX	Ⓜ
123	0000B	7178301212	SCREW TAPPTITE	TT2 WAS 3X12 MFZN BK	
124	Q402	PTF2SW7607	HEAT SINK ASS'Y	T2SD2578-- + 7174301011	Ⓜ
125	00001	T2SD2578--	TR	2SD2578	Ⓜ
126	0000A	4857027607	HEAT SINK	AL EX	Ⓜ
127	0000B	7174301011	SCREW TAPPTITE	TT2 RND 3X10 MFZN	
128	Q403	TKTC3229--	TR	KTC3229	Ⓜ
129	Q801	TKTA968AY-	TR	KTA968AY	Ⓜ
130	R801	DDB3R0M140	POSISTOR	ECPBD3R0M140	Ⓜ

ELECTRICAL PARTS LIST

NO	LOC	PARTS CODE	PARTS NAME	PARTS DESCRIPTION	REMARK
131	R802	RX10T109KS	R CEMENT	10W 1 OHM K TRIPOD SMALL	
132	R825	RM02Y108K-	R METAL FLAT	2W 0.1 OHM K	
133	SF101	5PTSF5241P	FILTER SAW	TSF5241P	
134	SW707	5S50101035	SW TACT	KPT-1112 1C-1P	
135	T401	5TD0000018	TRANS DRIVE	THD-120	
136	T402	50H0000222	FBT	BSC29-0197	⚠
137	T801	50M5345B1-	TRANS SMPS	TSM-5345B1	⚠
138	TU01	4859721730	TUNER VARACTOR	DT5-NF20F N	Ⓜ
139	X601	5XE18R432E	CRYSTAL QUARTZ	HC-49/U 18.43200MHZ 30PPM	
140	X702	5XZR03276C	CRYSTAL QUARTZ	SO-26 32.768000KHZ 20PPM	
141	Y801	5SC0101003	SW RELAY	DG12D1-0(M)-II 1C-1P	⚠
142	Z501	5PYXT4R5MB	FILTER CERA	XT 4.5MB	
143	Z802	DSVC471D14	VARISTOR	SVC471D14A	⚠
144	ZZ200	PTMPJ2K007	PCB CHIP MOUNT B AS	DTQ-29U8SCN	
145	CC102	HCFK103ZBA	C CHIP CERA	50V Y5V 0.01MF Z 1608	
146	CC111	HCFK104ZBA	C CHIP CERA	50V Y5V 0.1MF Z 1608	
147	CC112	HCFK103ZBA	C CHIP CERA	50V Y5V 0.01MF Z 1608	
148	CC113	HCFK104ZBA	C CHIP CERA	50V Y5V 0.1MF Z 1608	
149	CC151	HCFK104ZBA	C CHIP CERA	50V Y5V 0.1MF Z 1608	
150	CC154	HCFK104ZBA	C CHIP CERA	50V Y5V 0.1MF Z 1608	
151	CC206	HCFK104ZBA	C CHIP CERA	50V Y5V 0.1MF Z 1608	
152	CC209	HCFK104ZBA	C CHIP CERA	50V Y5V 0.1MF Z 1608	
153	CC401	HCQK181JBA	C CHIP CERA	50V CH 180PF J 1608	
154	CC450	HCFK103ZBA	C CHIP CERA	50V Y5V 0.01MF Z 1608	
155	CC501	HCQK160JBA	C CHIP CERA	50V CH 16PF J 1608	
156	CC502	HCFK104ZBA	C CHIP CERA	50V Y5V 0.1MF Z 1608	
157	CC503	HCFK103ZCA	C CHIP CERA	50V Y5V 0.01MF Z 2012	
158	CC506	HCFK104ZBA	C CHIP CERA	50V Y5V 0.1MF Z 1608	
159	CC508	HCFK104ZBA	C CHIP CERA	50V Y5V 0.1MF Z 1608	
160	CC528	HCBK102KBA	C CHIP CERA	50V X7R 1000PF K 1608	
161	CC574	HCQK300JBA	C CHIP CERA	50V CH 30PF J 1608	
162	CC577	HCQK300JBA	C CHIP CERA	50V CH 30PF J 1608	
163	CC578	HCQK300JBA	C CHIP CERA	50V CH 30PF J 1608	
164	CC579	HCQK300JBA	C CHIP CERA	50V CH 30PF J 1608	
165	CC608	HCBK102KBA	C CHIP CERA	50V X7R 1000PF K 1608	
166	CC620	HCQK200JBA	C CHIP CERA	50V CH 20PF J 1608	
167	CC699	HCBK102KBA	C CHIP CERA	50V X7R 1000PF K 1608	
168	CC701	HCFK103ZBA	C CHIP CERA	50V Y5V 0.01MF Z 1608	
169	CC708	HCQK120JBA	C CHIP CERA	50V CH 12PF J 1608	
170	CC716	HCFK103ZBA	C CHIP CERA	50V Y5V 0.01MF Z 1608	
171	CC720	HCBK102KBA	C CHIP CERA	50V X7R 1000PF K 1608	
172	CC722	HCFK103ZBA	C CHIP CERA	50V Y5V 0.01MF Z 1608	
173	CC723	HCFK103ZBA	C CHIP CERA	50V Y5V 0.01MF Z 1608	
174	CC741	HCQK221JBA	C CHIP CERA	50V CH 220PF J 1608	
175	CC752	HCQK180JBA	C CHIP CERA	50V CH 18PF J 1608	



ELECTRICAL PARTS LIST

NO	LOC	PARTS CODE	PARTS NAME	PARTS DESCRIPTION	REMARK
176	CC754	HCFK104ZBA	C CHIP CERA	50V Y5V 0.1MF Z 1608	
177	CC757	HCBK333KBA	C CHIP CERA	50V X7R 0.033MF K 1608	
178	CC777	HCFK103ZBA	C CHIP CERA	50V Y5V 0.01MF Z 1608	
179	CC821	HCFK104ZBA	C CHIP CERA	50V Y5V 0.1MF Z 1608	
180	CCS01	HCQK479CBA	C CHIP CERA	50V CH 4.7PF C 1608	
181	CCS02	HCQK479CBA	C CHIP CERA	50V CH 4.7PF C 1608	
182	CCS03	HCFK103ZBA	C CHIP CERA	50V Y5V 0.01MF Z 1608	
183	CCS04	HCFK103ZBA	C CHIP CERA	50V Y5V 0.01MF Z 1608	
184	CCS05	HCQK471JBA	C CHIP CERA	50V CH 470PF J 1608	
185	CCS06	HCFK104ZBA	C CHIP CERA	50V Y5V 0.1MF Z 1608	
186	CCS10	HCFK104ZBA	C CHIP CERA	50V Y5V 0.1MF Z 1608	
187	CCS11	HCBK102KBA	C CHIP CERA	50V X7R 1000PF K 1608	
188	CCS13	HCFK104ZBA	C CHIP CERA	50V Y5V 0.1MF Z 1608	
189	CCS16	HCQK471JBA	C CHIP CERA	50V CH 470PF J 1608	
190	CCS17	HCQK471JBA	C CHIP CERA	50V CH 470PF J 1608	
191	CCS18	HCFK104ZBA	C CHIP CERA	50V Y5V 0.1MF Z 1608	
192	CCS21	HCFK103ZBA	C CHIP CERA	50V Y5V 0.01MF Z 1608	
193	CCS22	HCFK103ZBA	C CHIP CERA	50V Y5V 0.01MF Z 1608	
194	CCS24	HCFK103ZBA	C CHIP CERA	50V Y5V 0.01MF Z 1608	
195	CCS25	HCQK471JBA	C CHIP CERA	50V CH 470PF J 1608	
196	CCS26	HCBK102KBA	C CHIP CERA	50V X7R 1000PF K 1608	
197	CCS27	HCBK102KBA	C CHIP CERA	50V X7R 1000PF K 1608	
198	CCS28	HCFK104ZBA	C CHIP CERA	50V Y5V 0.1MF Z 1608	
199	CCS29	HCBK102KBA	C CHIP CERA	50V X7R 1000PF K 1608	
200	CCS38	HCFK104ZBA	C CHIP CERA	50V Y5V 0.1MF Z 1608	
201	CCS90	HCFK103ZBA	C CHIP CERA	50V Y5V 0.01MF Z 1608	
202	CCS91	HCFK103ZBA	C CHIP CERA	50V Y5V 0.01MF Z 1608	
203	JC001	HRFS000-BA	R CHIP	1/16 0 OHM 1608	
204	JC003	HRFS000-BA	R CHIP	1/16 0 OHM 1608	
205	JC004	HRFS000-BA	R CHIP	1/16 0 OHM 1608	
206	JC005	HRFS000-BA	R CHIP	1/16 0 OHM 1608	
207	JC006	HRFS000-BA	R CHIP	1/16 0 OHM 1608	
208	JC007	HRFS000-BA	R CHIP	1/16 0 OHM 1608	
209	JC008	HRFS000-BA	R CHIP	1/16 0 OHM 1608	
210	JC009	HRFS000-BA	R CHIP	1/16 0 OHM 1608	
211	RC103	HRFS153JBA	R CHIP	1/16 15K OHM J 1608	
212	RC104	HRFS104JBA	R CHIP	1/16 100K OHM J 1608	
213	RC105	HRFS153JBA	R CHIP	1/16 15K OHM J 1608	
214	RC156	HRFS473JBA	R CHIP	1/16 47K OHM J 1608	
215	RC201	HRFS101JBA	R CHIP	1/16 100 OHM J 1608	
216	RC208	HRFS331JBA	R CHIP	1/16 330 OHM J 1608	
217	RC212	HRFT203JBA	R CHIP	1/10 20K OHM J 1608	
218	RC214	HRFS750JBA	R CHIP	1/16 75 OHM J 1608	
219	RC219	HRFS123JBA	R CHIP	1/16 12K OHM J 1608	
220	RC225	HRFS331JBA	R CHIP	1/16 330 OHM J 1608	

ELECTRICAL PARTS LIST

NO	LOC	PARTS CODE	PARTS NAME	PARTS DESCRIPTION	REMARK
221	RC321	HRFT564JBA	R CHIP	1/10 560K OHM J 1608	
222	RC501	HRFS561JBA	R CHIP	1/16 560 OHM J 1608	
223	RC503	HRFS152JBA	R CHIP	1/16 1.5K OHM J 1608	
224	RC504	HRFS102JBA	R CHIP	1/16 1K OHM J 1608	
225	RC506	HRFS102JBA	R CHIP	1/16 1K OHM J 1608	
226	RC507	HRFS102JBA	R CHIP	1/16 1K OHM J 1608	
227	RC508	HRFT271JBA	R CHIP	1/10 270 OHM J 1608	
228	RC510	HRFS561JBA	R CHIP	1/16 560 OHM J 1608	
229	RC511	HRFS103JBA	R CHIP	1/16 10K OHM J 1608	
230	RC512	HRFT222JBA	R CHIP	1/10 2.2K OHM J 1608	
231	RC513	HRFS473JBA	R CHIP	1/16 47K OHM J 1608	
232	RC514	HRFS473JBA	R CHIP	1/16 47K OHM J 1608	
233	RC515	HRFS223JBA	R CHIP	1/16 22K OHM J 1608	
234	RC516	HRFS102JBA	R CHIP	1/16 1K OHM J 1608	
235	RC525	HRFT122JCA	R CHIP	1/10 1.2K OHM J 2012	
236	RC526	HRFT102JCA	R CHIP	1/10 1K OHM J 2012	
237	RC557	HRFS622JBA	R CHIP	1/16W 6.2K OHM J 1608	
238	RC559	HRFS331JBA	R CHIP	1/16 330 OHM J 1608	
239	RC562	HRFS914JBA	R CHIP	1/16W 910K OHM J 1608	
240	RC567	HRFS103JBA	R CHIP	1/16 10K OHM J 1608	
241	RC570	HRFS103JBA	R CHIP	1/16 10K OHM J 1608	
242	RC601	HRFS243JBA	R CHIP	1/16 24K OHM J 1608	
243	RC604	HRFS392JBA	R CHIP	1/16 3.9K OHM J 1608	
244	RC632	HRFS153JBA	R CHIP	1/16 15K OHM J 1608	
245	RC633	HRFS202JBA	R CHIP	1/16 2K OHM J 1608	
246	RC634	HRFS102JBA	R CHIP	1/16 1K OHM J 1608	
247	RC636	HRFS473JBA	R CHIP	1/16 47K OHM J 1608	
248	RC698	HRFS102JBA	R CHIP	1/16 1K OHM J 1608	
249	RC699	HRFS473JBA	R CHIP	1/16 47K OHM J 1608	
250	RC705	HRFS471JBA	R CHIP	1/16 470 OHM J 1608	
251	RC707	HRFS102JBA	R CHIP	1/16 1K OHM J 1608	
252	RC711	HRFS121JBA	R CHIP	1/16 120 OHM J 1608	
253	RC714	HRFS472JBA	R CHIP	1/16 4.7K OHM J 1608	
254	RC728	HRFS102JBA	R CHIP	1/16 1K OHM J 1608	
255	RC732	HRFS102JBA	R CHIP	1/16 1K OHM J 1608	
256	RC733	HRFS102JBA	R CHIP	1/16 1K OHM J 1608	
257	RC734	HRFS102JBA	R CHIP	1/16 1K OHM J 1608	
258	RC735	HRFS202JBA	R CHIP	1/16 2K OHM J 1608	
259	RC736	HRFS102JBA	R CHIP	1/16 1K OHM J 1608	
260	RC737	HRFS392JBA	R CHIP	1/16 3.9K OHM J 1608	
261	RC738	HRFS362JBA	R CHIP	1/16 3.6K OHM J 1608	
262	RC739	HRFT272JBA	R CHIP	1/10 2.7K OHM J 1608	
263	RC747	HRFS392JBA	R CHIP	1/16 3.9K OHM J 1608	
264	RC749	HRFS103JBA	R CHIP	1/16 10K OHM J 1608	
265	RC756	HRFS472JBA	R CHIP	1/16 4.7K OHM J 1608	

ELECTRICAL PARTS LIST

NO	LOC	PARTS CODE	PARTS NAME	PARTS DESCRIPTION	REMARK
266	RC757	HRFS514JBA	R CHIP	1/16 510K OHM J 1608	
267	RC767	HRFS472JBA	R CHIP	1/16 4.7K OHM J 1608	
268	RC780	HRFS102JBA	R CHIP	1/16 1K OHM J 1608	
269	RC782	HRFS102JBA	R CHIP	1/16 1K OHM J 1608	
270	RC784	HRFS472JBA	R CHIP	1/16 4.7K OHM J 1608	
271	RC798	HRFS472JBA	R CHIP	1/16 4.7K OHM J 1608	
272	RC799	HRFS103JBA	R CHIP	1/16 10K OHM J 1608	
273	RCS14	HRFS473JBA	R CHIP	1/16 47K OHM J 1608	
274	RCS16	HRFS750JBA	R CHIP	1/16 75 OHM J 1608	
275	RCS30	HRFS473JBA	R CHIP	1/16 47K OHM J 1608	
276	RCS32	HRFS473JBA	R CHIP	1/16 47K OHM J 1608	
277	RCS39	HRFS473JBA	R CHIP	1/16 47K OHM J 1608	
278	RCS40	HRFS473JBA	R CHIP	1/16 47K OHM J 1608	
279	RCS41	HRFS102JBA	R CHIP	1/16 1K OHM J 1608	
280	ZZ200	PTMPJ0K007	PCB MAIN (RHU) AS	DTQ-29U8SCN	
281	C113	CEXF1C471V	C ELECTRO	16V RSS 470MF (8X12)TP	
282	C212	CEXF1C471V	C ELECTRO	16V RSS 470MF (8X12)TP	
283	C311	CEXF1C471V	C ELECTRO	16V RSS 470MF (8X12)TP	
284	C312	CEXF1E471V	C ELECTRO	25V RSS 470MF (10X16) TP	
285	C403	CEXF2C101V	C ELECTRO	160V RSS 100MF (16X25) TP	
286	C404	CEXF2E100V	C ELECTRO	250V RSS 10MF (10X20) TP	
287	C417	CEXF1V471V	C ELECTRO	35V RSS 470MF (10X20) TP	
288	C419	CEXF1C102C	C ELECTRO	16V RUS 1000MF (10X20) TP	
289	C424	CEXA2D229E	C ELECTRO	200V RUL 2.2MF (10X16) TP	
290	C433	CEXF1C471V	C ELECTRO	16V RSS 470MF (8X12)TP	
291	C437	CEXF1E471V	C ELECTRO	25V RSS 470MF (10X16) TP	
292	C634	CEXF1V222C	C ELECTRO	35V RUS 2200MF 16X31.5	
293	C805	CH1BEE472M	C CERA AC	U/C/V 2.5KV 4700PF TP	
294	C806	CH1BEE472M	C CERA AC	U/C/V 2.5KV 4700PF TP	
295	C810	CBXB3D471K	C CERA SEMI	2KV BL(N) 470PF K (T)	
296	C815	CBXB3D102K	C CERA SEMI	2KV BL(N) 1000PF K (T)	
297	C816	CEXF2A470V	C ELECTRO	100V RSS 47MF (10X16) TP	
298	C819	CCXB3D102K	C CERA	2KV B 1000PF K (TAPPING)	
299	C820	CEXF1E102V	C ELECTRO	25V RSS 1000MF (13X20) TP	
300	ZZ200	PTMPJBK007	PCB MAIN M-10 AS	DTQ-29U8SCN	
301	10	2TM18006BE	TAPE MASKING	6.2X500	
302	E001	4856310600	EYE LET	BSR T0.2 (R2.3)	
303	E002	4856310600	EYE LET	BSR T0.2 (R2.3)	
304	E003	4856310600	EYE LET	BSR T0.2 (R2.3)	
305	E004	4856310600	EYE LET	BSR T0.2 (R2.3)	
306	E005	4856310600	EYE LET	BSR T0.2 (R2.3)	
307	E006	4856310600	EYE LET	BSR T0.2 (R2.3)	
308	E007	4856310600	EYE LET	BSR T0.2 (R2.3)	
309	E008	4856310600	EYE LET	BSR T0.2 (R2.3)	
310	E009	4856310600	EYE LET	BSR T0.2 (R2.3)	

ELECTRICAL PARTS LIST

NO	LOC	PARTS CODE	PARTS NAME	PARTS DESCRIPTION	REMARK
311	E010	4856310600	EYE LET	BSR T0.2 (R2.3)	
312	E011	4856310600	EYE LET	BSR T0.2 (R2.3)	
313	E012	4856310600	EYE LET	BSR T0.2 (R2.3)	
314	E013	4856310600	EYE LET	BSR T0.2 (R2.3)	
315	E014	4856310600	EYE LET	BSR T0.2 (R2.3)	
316	E015	4856310600	EYE LET	BSR T0.2 (R2.3)	
317	E016	4856310300	EYE LET	BSR T0.2 (R1.6)	
318	E017	4856310300	EYE LET	BSR T0.2 (R1.6)	
319	E018	4856310600	EYE LET	BSR T0.2 (R2.3)	
320	E019	4856310600	EYE LET	BSR T0.2 (R2.3)	
321	E020	4856310600	EYE LET	BSR T0.2 (R2.3)	
322	E021	4856310600	EYE LET	BSR T0.2 (R2.3)	
323	E022	4856310600	EYE LET	BSR T0.2 (R2.3)	
324	E023	4856310600	EYE LET	BSR T0.2 (R2.3)	
325	E028	4856310600	EYE LET	BSR T0.2 (R2.3)	
326	E029	4856310600	EYE LET	BSR T0.2 (R2.3)	
327	E031	4856310600	EYE LET	BSR T0.2 (R2.3)	
328	E033	4856310300	EYE LET	BSR T0.2 (R1.6)	
329	E034	4856310300	EYE LET	BSR T0.2 (R1.6)	
330	E035	4856310300	EYE LET	BSR T0.2 (R1.6)	
331	E036	4856310300	EYE LET	BSR T0.2 (R1.6)	
332	E037	4856310300	EYE LET	BSR T0.2 (R1.6)	
333	E038	4856310300	EYE LET	BSR T0.2 (R1.6)	
334	E039	4856310300	EYE LET	BSR T0.2 (R1.6)	
335	E040	4856310300	EYE LET	BSR T0.2 (R1.6)	
336	E041	4856310300	EYE LET	BSR T0.2 (R1.6)	
337	E042	4856310300	EYE LET	BSR T0.2 (R1.6)	
338	E043	4856310300	EYE LET	BSR T0.2 (R1.6)	
339	E044	4856310300	EYE LET	BSR T0.2 (R1.6)	
340	E045	4856310300	EYE LET	BSR T0.2 (R1.6)	
341	E046	4856310300	EYE LET	BSR T0.2 (R1.6)	
342	E047	4856310300	EYE LET	BSR T0.2 (R1.6)	
343	E049	4856310300	EYE LET	BSR T0.2 (R1.6)	
344	E050	4856310300	EYE LET	BSR T0.2 (R1.6)	
345	E051	4856310300	EYE LET	BSR T0.2 (R1.6)	
346	E052	4856310300	EYE LET	BSR T0.2 (R1.6)	
347	E053	4856310300	EYE LET	BSR T0.2 (R1.6)	
348	E054	4856310300	EYE LET	BSR T0.2 (R1.6)	
349	E055	4856310300	EYE LET	BSR T0.2 (R1.6)	
350	E056	4856310300	EYE LET	BSR T0.2 (R1.6)	
351	E057	4856310300	EYE LET	BSR T0.2 (R1.6)	
352	E058	4856310300	EYE LET	BSR T0.2 (R1.6)	
353	E059	4856310300	EYE LET	BSR T0.2 (R1.6)	
354	E060	4856310300	EYE LET	BSR T0.2 (R1.6)	
355	E061	4856310300	EYE LET	BSR T0.2 (R1.6)	

ELECTRICAL PARTS LIST

NO	LOC	PARTS CODE	PARTS NAME	PARTS DESCRIPTION	REMARK
356	E062	4856310300	EYE LET	BSR T0.2 (R1.6)	
357	E063	4856310300	EYE LET	BSR T0.2 (R1.6)	
358	E064	4856310300	EYE LET	BSR T0.2 (R1.6)	
359	E065	4856310300	EYE LET	BSR T0.2 (R1.6)	
360	E066	4856310300	EYE LET	BSR T0.2 (R1.6)	
361	E067	4856310300	EYE LET	BSR T0.2 (R1.6)	
362	E068	4856310300	EYE LET	BSR T0.2 (R1.6)	
363	E069	4856310300	EYE LET	BSR T0.2 (R1.6)	
364	E070	4856310300	EYE LET	BSR T0.2 (R1.6)	
365	E071	4856310300	EYE LET	BSR T0.2 (R1.6)	
366	E072	4856310300	EYE LET	BSR T0.2 (R1.6)	
367	E079	4856310300	EYE LET	BSR T0.2 (R1.6)	
368	E080	4856310600	EYE LET	BSR T0.2 (R2.3)	
369	E081	4856310600	EYE LET	BSR T0.2 (R2.3)	
370	E082	4856310600	EYE LET	BSR T0.2 (R2.3)	
371	E083	4856310600	EYE LET	BSR T0.2 (R2.3)	
372	E084	4856310300	EYE LET	BSR T0.2 (R1.6)	
373	E086	4856310300	EYE LET	BSR T0.2 (R1.6)	
374	E087	4856310300	EYE LET	BSR T0.2 (R1.6)	
375	E090	4856310300	EYE LET	BSR T0.2 (R1.6)	
376	E091	4856310300	EYE LET	BSR T0.2 (R1.6)	
377	E092	4856310300	EYE LET	BSR T0.2 (R1.6)	
378	E095	4856310300	EYE LET	BSR T0.2 (R1.6)	
379	N001	4857417500	TERM PIN	DA-IB0214(D2.3/DY PIN)	
380	N002	4857417500	TERM PIN	DA-IB0214(D2.3/DY PIN)	
381	N003	4857417500	TERM PIN	DA-IB0214(D2.3/DY PIN)	
382	N004	4857417500	TERM PIN	DA-IB0214(D2.3/DY PIN)	
383	N007	4857417500	TERM PIN	DA-IB0214(D2.3/DY PIN)	
384	N008	4857417500	TERM PIN	DA-IB0214(D2.3/DY PIN)	
385	N012	4857417500	TERM PIN	DA-IB0214(D2.3/DY PIN)	
386	P103	485923162S	CONN WAFER	YW025-03 (STICK)	
387	P201	485923192S	CONN WAFER	YW025-06 (STICK)	
388	P401	485923202S	CONN WAFER	YW025-07 (STICK)	
389	P501	485923182S	CONN WAFER	YW025-05 (STICK)	
390	P601	485923172S	CONN WAFER	YW025-04 (STICK)	
391	R104	RS02Z472JS	R M-OXIDE FILM	2W 4.7K OHM J SMALL	
392	R411	RS02Z100JS	R M-OXIDE FILM	2W 10 OHM J SMALL	
393	R412	RS01Z189J-	R M-OXIDE FILM	1W 1.8 OHM J (TAPPING)	
394	R415	RS02Z102JS	R M-OXIDE FILM	2W 1K OHM J SMALL	
395	R417	RF01Z229J-	R FUSIBLE	1W 2.2 OHM J (TAPPING)	
396	R418	RF01Z229J-	R FUSIBLE	1W 2.2 OHM J (TAPPING)	
397	R419	RF02Z159J-	R FUSIBLE	2W 1.5 OHM J (TAPPING)	
398	R425	RS02Z153JS	R M-OXIDE FILM	2W 15K OHM J SMALL	
399	R430	RS02Z100JS	R M-OXIDE FILM	2W 10 OHM J SMALL	
400	R511	RS01Z151J-	R M-OXIDE FILM	1W 150 OHM J (TAPPING)	

ELECTRICAL PARTS LIST

NO	LOC	PARTS CODE	PARTS NAME	PARTS DESCRIPTION	REMARK
401	R810	RF01Z338K-	R FUSIBLE	1W 0.33 OHM K (TAPPING)	
402	R823	RN02B103JS	R METAL FILM	2W 10K OHM J SMALL	
403	R824	RF02Z228J-	R FUSIBLE	2W 0.22 OHM J (TAPPING)	
404	R826	RS02Z240JS	R M-OXIDE FILM	2W 24 OHM J SMALL	
405	ZZ200	PTMPJRK007	PCB MAIN RADIAL AS	DTQ-29U8SCN	
406	C106	CEXF1C101V	C ELECTRO	16V RSS 100MF (6.3X11) TP	
407	C107	CEXF1H228V	C ELECTRO	50V RSS 0.22MF (5X11) TP	
408	C108	CEXF1H101V	C ELECTRO	50V RSS 100MF (8X11.5) TP	
409	C109	CEXF1H479V	C ELECTRO	50V RSS 4.7MF (5X11) TP	
410	C114	CEXF1H109V	C ELECTRO	50V RSS 1MF (5X11) TP	
411	C116	CMXM2A333J	C MYLAR	100V 0.033MF J (TP)	
412	C117	CMXM2A103J	C MYLAR	100V 0.01MF J (TP)	
413	C201	CEXF1H109V	C ELECTRO	50V RSS 1MF (5X11) TP	
414	C202	CEXF1H100V	C ELECTRO	50V RSS 10MF (5X11) TP	
415	C204	CEXF1H478V	C ELECTRO	50V RSS 0.47MF (5X11) TP	
416	C205	CEXF1C101V	C ELECTRO	16V RSS 100MF (6.3X11) TP	
417	C210	CEXF1E470C	C ELECTRO	25V RUS 47MF (5X11) TP	
418	C213	CEXF1H479V	C ELECTRO	50V RSS 4.7MF (5X11) TP	
419	C214	CEXF1H479V	C ELECTRO	50V RSS 4.7MF (5X11) TP	
420	C215	CEXF1H479V	C ELECTRO	50V RSS 4.7MF (5X11) TP	
421	C216	CEXF1H479V	C ELECTRO	50V RSS 4.7MF (5X11) TP	
422	C301	CMXM2A103J	C MYLAR	100V 0.01MF J (TP)	
423	C302	CXSL2H100D	C CERA	500V SL 10PF D (TAPPING)	
424	C304	CEXF1H100V	C ELECTRO	50V RSS 10MF (5X11) TP	
425	C305	CEXF1H101V	C ELECTRO	50V RSS 100MF (8X11.5) TP	
426	C306	CEXD1H109Q	C ELECTRO	50V RT 1MF (6.3X11) TP	
427	C307	CMXM2A224J	C MYLAR	100V 0.22MF J	
428	C308	CMXM2A153J	C MYLAR	100V 0.015MF J (TP)	
429	C402	CCXB2H102K	C CERA	500V B 1000PF K (TAPPING)	
430	C405	CEXF2C109V	C ELECTRO	160V RSS 1MF (6.3X11) TP	
431	C418	CCXB2H102K	C CERA	500V B 1000PF K (TAPPING)	
432	C421	CEXF1H470V	C ELECTRO	50V RSS 47MF (6.3X11) TP	
433	C425	CEXF2A470V	C ELECTRO	100V RSS 47MF (10X16) TP	
434	C429	CMXM2A104J	C MYLAR	100V 0.1MF J (TP)	
435	C500	CCXB1H392K	C CERA	50V B 3900PF K (TAPPING)	
436	C501	CMXL1J105J	C MYLAR	63V MEU 1MF J	
437	C502	CEXF1H109V	C ELECTRO	50V RSS 1MF (5X11) TP	
438	C503	CEXF1C221V	C ELECTRO	16V RSS 220MF (8X11.5) TP	
439	C504	CEXF1H100V	C ELECTRO	50V RSS 10MF (5X11) TP	
440	C505	CEXF1H100V	C ELECTRO	50V RSS 10MF (5X11) TP	
441	C506	CEXF1H100V	C ELECTRO	50V RSS 10MF (5X11) TP	
442	C507	CMXL1J224J	C MYLAR	63V MEU 0.22MF J (TP)	
443	C508	CMXL1J224J	C MYLAR	63V MEU 0.22MF J (TP)	
444	C509	CEXF1H109V	C ELECTRO	50V RSS 1MF (5X11) TP	
445	C510	CEXF1H100V	C ELECTRO	50V RSS 10MF (5X11) TP	

ELECTRICAL PARTS LIST

NO	LOC	PARTS CODE	PARTS NAME	PARTS DESCRIPTION	REMARK
446	C511	CMXM2A153J	C MYLAR	100V 0.015MF J (TP)	
447	C512	CEXF1H108V	C ELECTRO	50V RSS 0.1MF (5X11) TP	
448	C513	CEXF1H109V	C ELECTRO	50V RSS 1MF (5X11) TP	
449	C517	CMXM2A103J	C MYLAR	100V 0.01MF J (TP)	
450	C518	CEXF1H478V	C ELECTRO	50V RSS 0.47MF (5X11) TP	
451	C570	CEXF1H109V	C ELECTRO	50V RSS 1MF (5X11) TP	
452	C602	CCXF1H103Z	C CERA	50V F 0.01MF Z (TAPPING)	
453	C603	CMXL1J224J	C MYLAR	63V MEU 0.22MF J (TP)	
454	C604	CEXF1H470V	C ELECTRO	50V RSS 47MF (6.3X11) TP	
455	C606	CMXM2A103J	C MYLAR	100V 0.01MF J (TP)	
456	C607	CMXL1J224J	C MYLAR	63V MEU 0.22MF J (TP)	
457	C608	CCXF1H103Z	C CERA	50V F 0.01MF Z (TAPPING)	
458	C610	CMXL1J224J	C MYLAR	63V MEU 0.22MF J (TP)	
459	C622	CMXM2A152J	C MYLAR	100V 1500PF J (TP)	
460	C623	CMXL1J104J	C MYLAR	63V MEU 0.1MF J	
461	C624	CMXL1J104J	C MYLAR	63V MEU 0.1MF J	
462	C625	CMXL1J104J	C MYLAR	63V MEU 0.1MF J	
463	C626	CMXL1J104J	C MYLAR	63V MEU 0.1MF J	
464	C669	CEXF1H100V	C ELECTRO	50V RSS 10MF (5X11) TP	
465	C701	CEXF1H470V	C ELECTRO	50V RSS 47MF (6.3X11) TP	
466	C703	CEXF1H109V	C ELECTRO	50V RSS 1MF (5X11) TP	
467	C704	CEXF1H229V	C ELECTRO	50V RSS 2.2MF (5X11) TP	
468	C705	CEXF1H109V	C ELECTRO	50V RSS 1MF (5X11) TP	
469	C709	CEXF1C221V	C ELECTRO	16V RSS 220MF (8X11.5) TP	
470	C807	CCXB1H821K	C CERA	50V B 820PF K (TAPPING)	
471	C808	CEXF1H100V	C ELECTRO	50V RSS 10MF (5X11) TP	
472	C814	CXSL2H470J	C CERA	500V SL 47PF J (TAPPING)	
473	C818	CMXL1J224J	C MYLAR	63V MEU 0.22MF J (TP)	
474	C822	CEXF1C101V	C ELECTRO	16V RSS 100MF (6.3X11) TP	
475	C825	CEXF1H229V	C ELECTRO	50V RSS 2.2MF (5X11) TP	
476	C829	CEXF1H470V	C ELECTRO	50V RSS 47MF (6.3X11) TP	
477	C830	CCXB1H152K	C CERA	50V B 1500PF K (TAPPING)	
478	C832	CEXF1H220C	C ELECTRO	50V RUS 22MF (5X11) TP	
479	C833	CEXF1H479V	C ELECTRO	50V RSS 4.7MF (5X11) TP	
480	C834	CMXM2A273J	C MYLAR	100V 0.027MF J (TP)	
481	C862	CEXF1E101V	C ELECTRO	25V RSS 100MF (6.3X11) TP	
482	CS217	CEXF1E221V	C ELECTRO	25V RSS 220MF (8X11.5) TP	
483	CS605	CEXF1H100V	C ELECTRO	50V RSS 10MF (5X11) TP	
484	CS608	CEXF1H229V	C ELECTRO	50V RSS 2.2MF (5X11) TP	
485	CS609	CEXF1H100V	C ELECTRO	50V RSS 10MF (5X11) TP	
486	CS611	CEXF1H100V	C ELECTRO	50V RSS 10MF (5X11) TP	
487	CS612	CEXF1H339V	C ELECTRO	50V RSS 3.3MF (5X11) TP	
488	CS613	CMXL1J224J	C MYLAR	63V MEU 0.22MF J (TP)	
489	CS615	CEXF1E470C	C ELECTRO	25V RUS 47MF (5X11) TP	
490	CS616	CEXF1H100V	C ELECTRO	50V RSS 10MF (5X11) TP	

ELECTRICAL PARTS LIST

NO	LOC	PARTS CODE	PARTS NAME	PARTS DESCRIPTION	REMARK
491	CS617	CEXF1H100V	C ELECTRO	50V RSS 10MF (5X11) TP	
492	CS619	CEXF1H479V	C ELECTRO	50V RSS 4.7MF (5X11) TP	
493	CS621	CMXM2A152J	C MYLAR	100V 1500PF J (TP)	
494	CS631	CEXF1E470C	C ELECTRO	25V RUS 47MF (5X11) TP	
495	CS632	CEXF1H479V	C ELECTRO	50V RSS 4.7MF (5X11) TP	
496	F801A	4857415001	CLIP FUSE	PFC5000-0702	
497	F801B	4857415001	CLIP FUSE	PFC5000-0702	
498	L805	58CX430599	COIL CHOKE	AZ-9004Y 940K TP	
499	L809	58C0000096	COIL CHOKE	610G0233(470K)	
500	Q201	TKTC3198Y-	TR	KTC3198Y	(R)
501	Q202	TKTC3198Y-	TR	KTC3198Y	(R)
502	Q203	TKTA1266Y-	TR	KTA1266Y (TP)	(R)
503	Q301	TKTA1266Y-	TR	KTA1266Y (TP)	(R)
504	Q302	TKTC3198Y-	TR	KTC3198Y	(R)
505	Q303	TKTA1266Y-	TR	KTA1266Y (TP)	(R)
506	Q407	TKTC3207--	TR	KTC3207 (TP)	(R)
507	Q501	TKTC3198Y-	TR	KTC3198Y	(R)
508	Q502	TKTC3198Y-	TR	KTC3198Y	(R)
509	Q503	TKTC3198Y-	TR	KTC3198Y	(R)
510	Q601	TKTC3198Y-	TR	KTC3198Y	(R)
511	Q602	TKTC3198Y-	TR	KTC3198Y	(R)
512	Q603	TKTA1266Y-	TR	KTA1266Y (TP)	(R)
513	Q703	TKTC3203Y-	TR	KTC3203-Y	(R)
514	Q704	TKTA1266Y-	TR	KTA1266Y (TP)	(R)
515	Q705	TKTA1266Y-	TR	KTA1266Y (TP)	(R)
516	Q706	TKTC3198Y-	TR	KTC3198Y	(R)
517	Q802	TKTC3198Y-	TR	KTC3198Y	(R)
518	Q803	TKTC3198Y-	TR	KTC3198Y	(R)
519	Q804	TKTC3198Y-	TR	KTC3198Y	(R)
520	R103	RN02B910JS	R METAL FILM	2W 91 OHM J SMALL	
521	R204	RN02B471JS	R METAL FILM	2W 470 OHM J SMALL	
522	R303	RN02B620JS	R METAL FILM	2W 62 OHM J SMALL	
523	R304	RN02B109JS	R METAL FILM	2W 1 OHM J SMALL	
524	R305	RN02B109JS	R METAL FILM	2W 1 OHM J SMALL	
525	R309	RN02B221JS	R METAL FILM	2W 220 OHM J SMALL	
526	R311	RN02B221JS	R METAL FILM	2W 220 OHM J SMALL	
527	R315	RN01B272JS	R METAL FILM	1W 2.7K OHM J SMALL	
528	R316	RN01B562JS	R METAL FILM	1W 5.6K OHM J SMALL	
529	R320	RN01B750JS	R METAL FILM	1W 75 OHM J SMALL	
530	R401	RN02B680JS	R METAL FILM	2W 68 OHM J SMALL	
531	R402	RN02B680JS	R METAL FILM	2W 68 OHM J SMALL	
532	R410	RN02B103JS	R METAL FILM	2W 10K OHM J SMALL	
533	R420	RN02B333JS	R METAL FILM	2W 33K OHM J SMALL	
534	R450	RN02B151JS	R METAL FILM	2W 150 OHM J SMALL	
535	R451	RN02B271JS	R METAL FILM	2W 270 OHM J SMALL	

ELECTRICAL PARTS LIST

NO	LOC	PARTS CODE	PARTS NAME	PARTS DESCRIPTION	REMARK
536	R814	RN02B102JS	R METAL FILM	2W 1K OHM J SMALL	
537	R818	RN02B472JS	R METAL FILM	2W 4.7K OHM J SMALL	
538	R828	RN02B100JS	R METAL FILM	2W 10 OHM J SMALL	
539	RS601	RN02B910JS	R METAL FILM	2W 91 OHM J SMALL	
540	RS602	RN02B121JS	R METAL FILM	2W 120 OHM J SMALL	
541	SW702	5S50101090	SW TACT	THVH472GCA	
542	SW703	5S50101090	SW TACT	THVH472GCA	
543	SW704	5S50101090	SW TACT	THVH472GCA	
544	SW705	5S50101090	SW TACT	THVH472GCA	
545	SW706	5S50101090	SW TACT	THVH472GCA	
546	X501	5XEX3R579C	CRYSTAL QUARTZ	HC-49/U 3.579545M (TP)	
547	ZZ200	PTMPJAK007	PCB MAIN AXIAL AS	DTQ-29U8SCN	
548	10	2TM14006LB	TAPE MASKING	3M #232 6.0X2000M	
549	20	2TM10006LB	TAPE MASKING	3M #232-MAP-C 6.2X2000M	
550	A001	4859816591	PCB MAIN	330X246 S1B	
551	C540	CCZB1H104K	C CERA	HIBK 50V 0.1MF K AXL 52MM	
552	CS618	CZSL1H470J	C CERA	50V SL 47PF J (AXIAL)	
553	D101	DUZ5R1B---	DIODE ZENER	UZ-5.1B	(R)
554	D102	DUZ33B----	DIODE ZENER	UZ-33B	(R)
555	D208	DMTZJ5R6B-	DIODE ZENER	MTZJ 5.6B	(R)
556	D212	DMTZJ5R6B-	DIODE ZENER	MTZJ 5.6B	(R)
557	D301	D1N4004S--	DIODE	1N4004S	(R)
558	D302	DUZ33B----	DIODE ZENER	UZ-33B	(R)
559	D303	DUZ33B----	DIODE ZENER	UZ-33B	(R)
560	D401	DUZ9R1BM--	DIODE ZENER	UZ-9.1BM	(R)
561	D406	DRH1B-----	DIODE	RH1B	(R)
562	D407	D1N4937G--	DIODE	1N4937G (TAPPING)	(R)
563	D408	D1N4937G--	DIODE	1N4937G (TAPPING)	(R)
564	D410	D1N4937G--	DIODE	1N4937G (TAPPING)	(R)
565	D411	D1N4937G--	DIODE	1N4937G (TAPPING)	(R)
566	D415	DUZ9R1BM--	DIODE ZENER	UZ-9.1BM	(R)
567	D502	D1N4148---	DIODE	1N4148 (TAPPING)	(R)
568	D504	D1N4148---	DIODE	1N4148 (TAPPING)	(R)
569	D603	D1N4148---	DIODE	1N4148 (TAPPING)	(R)
570	D605	DUZ8R2BM--	DIODE ZENER	UZ-8.2BM	(R)
571	D607	D1N4148---	DIODE	1N4148 (TAPPING)	(R)
572	D609	D1N4148---	DIODE	1N4148 (TAPPING)	(R)
573	D699	D1N4148---	DIODE	1N4148 (TAPPING)	(R)
574	D705	D1N4148---	DIODE	1N4148 (TAPPING)	(R)
575	D706	DUZ3R9B---	DIODE ZENER	UZ-3.9B	(R)
576	D710	85801065GY	WIRE COPPER	AWG22 1/0.65 TIN COATING	
577	D711	85801065GY	WIRE COPPER	AWG22 1/0.65 TIN COATING	
578	D712	85801065GY	WIRE COPPER	AWG22 1/0.65 TIN COATING	
579	D713	85801065GY	WIRE COPPER	AWG22 1/0.65 TIN COATING	
580	D719	D1N4148---	DIODE	1N4148 (TAPPING)	R

ELECTRICAL PARTS LIST

NO	LOC	PARTS CODE	PARTS NAME	PARTS DESCRIPTION	REMARK
581	D721	DMTZJ5R6B-	DIODE ZENER	MTZJ 5.6B	Ⓡ
582	D723	DMTZJ5R6B-	DIODE ZENER	MTZJ 5.6B	Ⓡ
583	D803	D1N4937G--	DIODE	1N4937G (TAPPING)	Ⓡ
584	D804	D1N4937G--	DIODE	1N4937G (TAPPING)	Ⓡ
585	D805	D1N4937G--	DIODE	1N4937G (TAPPING)	Ⓡ
586	D807	D1N4937G--	DIODE	1N4937G (TAPPING)	Ⓡ
587	D808	D1N4937G--	DIODE	1N4937G (TAPPING)	Ⓡ
588	D812	D1N4937G--	DIODE	1N4937G (TAPPING)	Ⓡ
589	D814	D1N4937G--	DIODE	1N4937G (TAPPING)	Ⓡ
590	DS213	DMTZJ5R6B-	DIODE ZENER	MTZJ 5.6B	Ⓡ
591	DS601	DMTZJ5R6B-	DIODE ZENER	MTZJ 5.6B	Ⓡ
592	DS622	DMTZJ5R6B-	DIODE ZENER	MTZJ 5.6B	Ⓡ
593	DS623	DMTZJ5R6B-	DIODE ZENER	MTZJ 5.6B	Ⓡ
594	J001	85801065GY	WIRE COPPER	AWG22 1/0.65 TIN COATING	
595	J002	85801065GY	WIRE COPPER	AWG22 1/0.65 TIN COATING	
596	J003	85801065GY	WIRE COPPER	AWG22 1/0.65 TIN COATING	
597	J004	85801065GY	WIRE COPPER	AWG22 1/0.65 TIN COATING	
598	J005	85801065GY	WIRE COPPER	AWG22 1/0.65 TIN COATING	
599	J006	85801065GY	WIRE COPPER	AWG22 1/0.65 TIN COATING	
600	J007	85801065GY	WIRE COPPER	AWG22 1/0.65 TIN COATING	
601	J008	85801065GY	WIRE COPPER	AWG22 1/0.65 TIN COATING	
602	J009	85801065GY	WIRE COPPER	AWG22 1/0.65 TIN COATING	
603	J010	85801065GY	WIRE COPPER	AWG22 1/0.65 TIN COATING	
604	J011	85801065GY	WIRE COPPER	AWG22 1/0.65 TIN COATING	
605	J012	85801065GY	WIRE COPPER	AWG22 1/0.65 TIN COATING	
606	J013	85801065GY	WIRE COPPER	AWG22 1/0.65 TIN COATING	
607	J014	85801065GY	WIRE COPPER	AWG22 1/0.65 TIN COATING	
608	J015	85801065GY	WIRE COPPER	AWG22 1/0.65 TIN COATING	
609	J016	85801065GY	WIRE COPPER	AWG22 1/0.65 TIN COATING	
610	J017	85801065GY	WIRE COPPER	AWG22 1/0.65 TIN COATING	
611	J018	85801065GY	WIRE COPPER	AWG22 1/0.65 TIN COATING	
612	J019	85801065GY	WIRE COPPER	AWG22 1/0.65 TIN COATING	
613	J020	85801065GY	WIRE COPPER	AWG22 1/0.65 TIN COATING	
614	J021	85801065GY	WIRE COPPER	AWG22 1/0.65 TIN COATING	
615	J022	85801065GY	WIRE COPPER	AWG22 1/0.65 TIN COATING	
616	J023	85801065GY	WIRE COPPER	AWG22 1/0.65 TIN COATING	
617	J024	85801065GY	WIRE COPPER	AWG22 1/0.65 TIN COATING	
618	J025	85801065GY	WIRE COPPER	AWG22 1/0.65 TIN COATING	
619	J026	85801065GY	WIRE COPPER	AWG22 1/0.65 TIN COATING	
620	J027	85801065GY	WIRE COPPER	AWG22 1/0.65 TIN COATING	
621	J028	85801065GY	WIRE COPPER	AWG22 1/0.65 TIN COATING	
622	J029	85801065GY	WIRE COPPER	AWG22 1/0.65 TIN COATING	
623	J030	85801065GY	WIRE COPPER	AWG22 1/0.65 TIN COATING	
624	J031	85801065GY	WIRE COPPER	AWG22 1/0.65 TIN COATING	
625	J032	85801065GY	WIRE COPPER	AWG22 1/0.65 TIN COATING	

ELECTRICAL PARTS LIST

NO	LOC	PARTS CODE	PARTS NAME	PARTS DESCRIPTION	REMARK
626	J033	85801065GY	WIRE COPPER	AWG22 1/0.65 TIN COATING	
627	J034	85801065GY	WIRE COPPER	AWG22 1/0.65 TIN COATING	
628	J035	85801065GY	WIRE COPPER	AWG22 1/0.65 TIN COATING	
629	J036	85801065GY	WIRE COPPER	AWG22 1/0.65 TIN COATING	
630	J037	85801065GY	WIRE COPPER	AWG22 1/0.65 TIN COATING	
631	J038	85801065GY	WIRE COPPER	AWG22 1/0.65 TIN COATING	
632	J039	85801065GY	WIRE COPPER	AWG22 1/0.65 TIN COATING	
633	J040	85801065GY	WIRE COPPER	AWG22 1/0.65 TIN COATING	
634	J041	85801065GY	WIRE COPPER	AWG22 1/0.65 TIN COATING	
635	J042	85801065GY	WIRE COPPER	AWG22 1/0.65 TIN COATING	
636	J044	85801065GY	WIRE COPPER	AWG22 1/0.65 TIN COATING	
637	J045	85801065GY	WIRE COPPER	AWG22 1/0.65 TIN COATING	
638	J046	85801065GY	WIRE COPPER	AWG22 1/0.65 TIN COATING	
639	J047	85801065GY	WIRE COPPER	AWG22 1/0.65 TIN COATING	
640	J048	85801065GY	WIRE COPPER	AWG22 1/0.65 TIN COATING	
641	J049	85801065GY	WIRE COPPER	AWG22 1/0.65 TIN COATING	
642	J050	85801065GY	WIRE COPPER	AWG22 1/0.65 TIN COATING	
643	J051	85801065GY	WIRE COPPER	AWG22 1/0.65 TIN COATING	
644	J052	85801065GY	WIRE COPPER	AWG22 1/0.65 TIN COATING	
645	J053	85801065GY	WIRE COPPER	AWG22 1/0.65 TIN COATING	
646	J054	85801065GY	WIRE COPPER	AWG22 1/0.65 TIN COATING	
647	J055	85801065GY	WIRE COPPER	AWG22 1/0.65 TIN COATING	
648	J056	85801065GY	WIRE COPPER	AWG22 1/0.65 TIN COATING	
649	J057	85801065GY	WIRE COPPER	AWG22 1/0.65 TIN COATING	
650	J058	85801065GY	WIRE COPPER	AWG22 1/0.65 TIN COATING	
651	J059	85801065GY	WIRE COPPER	AWG22 1/0.65 TIN COATING	
652	J060	85801065GY	WIRE COPPER	AWG22 1/0.65 TIN COATING	
653	J061	85801065GY	WIRE COPPER	AWG22 1/0.65 TIN COATING	
654	J062	85801065GY	WIRE COPPER	AWG22 1/0.65 TIN COATING	
655	J063	85801065GY	WIRE COPPER	AWG22 1/0.65 TIN COATING	
656	J065	85801065GY	WIRE COPPER	AWG22 1/0.65 TIN COATING	
657	J066	85801065GY	WIRE COPPER	AWG22 1/0.65 TIN COATING	
658	J067	85801065GY	WIRE COPPER	AWG22 1/0.65 TIN COATING	
659	J068	85801065GY	WIRE COPPER	AWG22 1/0.65 TIN COATING	
660	J069	85801065GY	WIRE COPPER	AWG22 1/0.65 TIN COATING	
661	J070	85801065GY	WIRE COPPER	AWG22 1/0.65 TIN COATING	
662	J071	85801065GY	WIRE COPPER	AWG22 1/0.65 TIN COATING	
663	J072	85801065GY	WIRE COPPER	AWG22 1/0.65 TIN COATING	
664	J073	85801065GY	WIRE COPPER	AWG22 1/0.65 TIN COATING	
665	J074	85801065GY	WIRE COPPER	AWG22 1/0.65 TIN COATING	
666	J076	85801065GY	WIRE COPPER	AWG22 1/0.65 TIN COATING	
667	J077	85801065GY	WIRE COPPER	AWG22 1/0.65 TIN COATING	
668	J078	85801065GY	WIRE COPPER	AWG22 1/0.65 TIN COATING	
669	J079	85801065GY	WIRE COPPER	AWG22 1/0.65 TIN COATING	
670	J080	85801065GY	WIRE COPPER	AWG22 1/0.65 TIN COATING	

ELECTRICAL PARTS LIST

NO	LOC	PARTS CODE	PARTS NAME	PARTS DESCRIPTION	REMARK
671	J081	85801065GY	WIRE COPPER	AWG22 1/0.65 TIN COATING	
672	J082	85801065GY	WIRE COPPER	AWG22 1/0.65 TIN COATING	
673	J083	85801065GY	WIRE COPPER	AWG22 1/0.65 TIN COATING	
674	J084	85801065GY	WIRE COPPER	AWG22 1/0.65 TIN COATING	
675	J085	85801065GY	WIRE COPPER	AWG22 1/0.65 TIN COATING	
676	J086	85801065GY	WIRE COPPER	AWG22 1/0.65 TIN COATING	
677	J087	85801065GY	WIRE COPPER	AWG22 1/0.65 TIN COATING	
678	J088	85801065GY	WIRE COPPER	AWG22 1/0.65 TIN COATING	
679	J089	85801065GY	WIRE COPPER	AWG22 1/0.65 TIN COATING	
680	J090	85801065GY	WIRE COPPER	AWG22 1/0.65 TIN COATING	
681	J091	85801065GY	WIRE COPPER	AWG22 1/0.65 TIN COATING	
682	J092	85801065GY	WIRE COPPER	AWG22 1/0.65 TIN COATING	
683	J093	85801065GY	WIRE COPPER	AWG22 1/0.65 TIN COATING	
684	J094	85801065GY	WIRE COPPER	AWG22 1/0.65 TIN COATING	
685	J095	85801065GY	WIRE COPPER	AWG22 1/0.65 TIN COATING	
686	J096	85801065GY	WIRE COPPER	AWG22 1/0.65 TIN COATING	
687	J097	85801065GY	WIRE COPPER	AWG22 1/0.65 TIN COATING	
688	J099	85801065GY	WIRE COPPER	AWG22 1/0.65 TIN COATING	
689	J100	85801065GY	WIRE COPPER	AWG22 1/0.65 TIN COATING	
690	J102	85801065GY	WIRE COPPER	AWG22 1/0.65 TIN COATING	
691	J103	85801065GY	WIRE COPPER	AWG22 1/0.65 TIN COATING	
692	J104	85801065GY	WIRE COPPER	AWG22 1/0.65 TIN COATING	
693	J105	85801065GY	WIRE COPPER	AWG22 1/0.65 TIN COATING	
694	J106	85801065GY	WIRE COPPER	AWG22 1/0.65 TIN COATING	
695	J107	85801065GY	WIRE COPPER	AWG22 1/0.65 TIN COATING	
696	J108	85801065GY	WIRE COPPER	AWG22 1/0.65 TIN COATING	
697	J109	85801065GY	WIRE COPPER	AWG22 1/0.65 TIN COATING	
698	J110	85801065GY	WIRE COPPER	AWG22 1/0.65 TIN COATING	
699	J111	85801065GY	WIRE COPPER	AWG22 1/0.65 TIN COATING	
700	J112	85801065GY	WIRE COPPER	AWG22 1/0.65 TIN COATING	
701	J113	85801065GY	WIRE COPPER	AWG22 1/0.65 TIN COATING	
702	J114	85801065GY	WIRE COPPER	AWG22 1/0.65 TIN COATING	
703	J115	85801065GY	WIRE COPPER	AWG22 1/0.65 TIN COATING	
704	J116	85801065GY	WIRE COPPER	AWG22 1/0.65 TIN COATING	
705	J117	85801065GY	WIRE COPPER	AWG22 1/0.65 TIN COATING	
706	J118	85801065GY	WIRE COPPER	AWG22 1/0.65 TIN COATING	
707	J119	85801065GY	WIRE COPPER	AWG22 1/0.65 TIN COATING	
708	J120	85801065GY	WIRE COPPER	AWG22 1/0.65 TIN COATING	
709	J121	85801065GY	WIRE COPPER	AWG22 1/0.65 TIN COATING	
710	J122	85801065GY	WIRE COPPER	AWG22 1/0.65 TIN COATING	
711	J123	85801065GY	WIRE COPPER	AWG22 1/0.65 TIN COATING	
712	J124	85801065GY	WIRE COPPER	AWG22 1/0.65 TIN COATING	
713	J125	85801065GY	WIRE COPPER	AWG22 1/0.65 TIN COATING	
714	J126	85801065GY	WIRE COPPER	AWG22 1/0.65 TIN COATING	
715	J127	85801065GY	WIRE COPPER	AWG22 1/0.65 TIN COATING	

ELECTRICAL PARTS LIST

NO	LOC	PARTS CODE	PARTS NAME	PARTS DESCRIPTION	REMARK
716	J129	85801065GY	WIRE COPPER	AWG22 1/0.65 TIN COATING	
717	J130	85801065GY	WIRE COPPER	AWG22 1/0.65 TIN COATING	
718	J131	85801065GY	WIRE COPPER	AWG22 1/0.65 TIN COATING	
719	J132	85801065GY	WIRE COPPER	AWG22 1/0.65 TIN COATING	
720	J133	85801065GY	WIRE COPPER	AWG22 1/0.65 TIN COATING	
721	J134	85801065GY	WIRE COPPER	AWG22 1/0.65 TIN COATING	
722	J135	85801065GY	WIRE COPPER	AWG22 1/0.65 TIN COATING	
723	J136	85801065GY	WIRE COPPER	AWG22 1/0.65 TIN COATING	
724	J137	85801065GY	WIRE COPPER	AWG22 1/0.65 TIN COATING	
725	J138	85801065GY	WIRE COPPER	AWG22 1/0.65 TIN COATING	
726	J139	85801065GY	WIRE COPPER	AWG22 1/0.65 TIN COATING	
727	J140	85801065GY	WIRE COPPER	AWG22 1/0.65 TIN COATING	
728	J142	85801065GY	WIRE COPPER	AWG22 1/0.65 TIN COATING	
729	J143	85801065GY	WIRE COPPER	AWG22 1/0.65 TIN COATING	
730	J144	85801065GY	WIRE COPPER	AWG22 1/0.65 TIN COATING	
731	J145	85801065GY	WIRE COPPER	AWG22 1/0.65 TIN COATING	
732	J146	85801065GY	WIRE COPPER	AWG22 1/0.65 TIN COATING	
733	J147	85801065GY	WIRE COPPER	AWG22 1/0.65 TIN COATING	
734	J148	85801065GY	WIRE COPPER	AWG22 1/0.65 TIN COATING	
735	J149	85801065GY	WIRE COPPER	AWG22 1/0.65 TIN COATING	
736	J153	85801065GY	WIRE COPPER	AWG22 1/0.65 TIN COATING	
737	J154	85801065GY	WIRE COPPER	AWG22 1/0.65 TIN COATING	
738	J155	85801065GY	WIRE COPPER	AWG22 1/0.65 TIN COATING	
739	J156	85801065GY	WIRE COPPER	AWG22 1/0.65 TIN COATING	
740	J200	85801065GY	WIRE COPPER	AWG22 1/0.65 TIN COATING	
741	J201	85801065GY	WIRE COPPER	AWG22 1/0.65 TIN COATING	
742	J202	85801065GY	WIRE COPPER	AWG22 1/0.65 TIN COATING	
743	L101	5CPZ569K02	COIL PEAKING	5.6UH K (AXIAL 3.5MM)	
744	L111	5CPZ568M02	COIL PEAKING	0.56UH M (AXIAL 3.5MM)	
745	L203	5CPZ100K02	COIL PEAKING	10UH K (AXIAL 3.5MM)	
746	L401	5MC0000100	COIL BEAD	HC-3550	
747	L501	5CPZ100K02	COIL PEAKING	10UH K (AXIAL 3.5MM)	
748	L502	5CPZ100K02	COIL PEAKING	10UH K (AXIAL 3.5MM)	
749	L503	5CPZ560K02	COIL PEAKING	56UH K (AXIAL 3.5MM)	
750	L533	5CPZ150K02	COIL PEAKING	15UH K (AXIAL 3.5MM)	
751	L701	5CPZ100K02	COIL PEAKING	10UH K (AXIAL 3.5MM)	
752	L802	5MC0000100	COIL BEAD	HC-3550	
753	L803	5MC0000100	COIL BEAD	HC-3550	
754	L804	5MC0000100	COIL BEAD	HC-3550	
755	L807	5MC0000100	COIL BEAD	HC-3550	
756	L808	5MC0000100	COIL BEAD	HC-3550	
757	LS601	5CPZ560K02	COIL PEAKING	56UH K (AXIAL 3.5MM)	
758	LS602	5CPZ150K02	COIL PEAKING	15UH K (AXIAL 3.5MM)	
759	LS603	5CPZ560K04	COIL PEAKING	56UH K (AXIAL 10.5MM)	
760	R106	RD-AZ102J-	R CARBON FILM	1/6 1K OHM J	

ELECTRICAL PARTS LIST

NO	LOC	PARTS CODE	PARTS NAME	PARTS DESCRIPTION	REMARK
761	R107	RD-AZ102J-	R CARBON FILM	1/6 1K OHM J	
762	R154	RD-AZ473J-	R CARBON FILM	1/6 47K OHM J	
763	R165	RD-AZ472J-	R CARBON FILM	1/6 4.7K OHM J	
764	R202	RD-AZ753J-	R CARBON FILM	1/6 75K OHM J	
765	R205	RD-AZ101J-	R CARBON FILM	1/6 100 OHM J	
766	R208	RD-2Z151J-	R CARBON FILM	1/2 150 OHM J	
767	R209	RD-AZ203J-	R CARBON FILM	1/6 20K OHM J	
768	R228	RD-AZ331J-	R CARBON FILM	1/6 330 OHM J	
769	R229	RD-AZ331J-	R CARBON FILM	1/6 330 OHM J	
770	R230	RD-AZ331J-	R CARBON FILM	1/6 330 OHM J	
771	R301	RD-AZ102J-	R CARBON FILM	1/6 1K OHM J	
772	R302	RD-AZ113J-	R CARBON FILM	1/6 11K OHM J	
773	R306	RD-AZ823J-	R CARBON FILM	1/6 82K OHM J	
774	R307	RN-AZ1302F	R METAL FILM	1/6 13K OHM F	
775	R312	RD-AZ102J-	R CARBON FILM	1/6 1K OHM J	
776	R313	RD-AZ153J-	R CARBON FILM	1/6 15K OHM J	
777	R314	RD-4Z162J-	R CARBON FILM	1/4 1.6K OHM J	
778	R317	RD-AZ473J-	R CARBON FILM	1/6 47K OHM J	
779	R318	RD-AZ562J-	R CARBON FILM	1/6 5.6K OHM J	
780	R319	RD-4Z752J-	R CARBON FILM	1/4 7.5K OHM J	
781	R321	RN-4Z3003F	R METAL FILM	1/4 300K OHM F	
782	R323	RN-4Z2003F	R METAL FILM	1/4 200K OHM F	
783	R406	RD-AZ203J-	R CARBON FILM	1/6 20K OHM J	
784	R408	RD-AZ102J-	R CARBON FILM	1/6 1K OHM J	
785	R413	RN-4Z8201F	R METAL FILM	1/4 8.2K OHM F	
786	R423	RD-2Z470J-	R CARBON FILM	1/2 47 OHM J	
787	R424	RD-4Z123J-	R CARBON FILM	1/4 12K OHM J	
788	R427	RD-AZ223J-	R CARBON FILM	1/6 22K OHM J	
789	R428	RD-4Z271J-	R CARBON FILM	1/4 270 OHM J	
790	R429	RD-4Z102J-	R CARBON FILM	1/4 1K OHM J	
791	R432	RD-4Z220J-	R CARBON FILM	1/4 22 OHM J	
792	R443	RD-AZ152J-	R CARBON FILM	1/6 1.5K OHM J	
793	R500	RD-AZ514J-	R CARBON FILM	1/6 510K OHM J	
794	R501	RD-4Z271J-	R CARBON FILM	1/4 270 OHM J	
795	R502	RD-2Z151J-	R CARBON FILM	1/2 150 OHM J	
796	R503	RD-AZ101J-	R CARBON FILM	1/6 100 OHM J	
797	R504	RD-AZ562J-	R CARBON FILM	1/6 5.6K OHM J	
798	R505	RD-AZ102J-	R CARBON FILM	1/6 1K OHM J	
799	R506	RD-AZ623J-	R CARBON FILM	1/6 62K OHM J	
800	R507	RD-AZ123J-	R CARBON FILM	1/6 12K OHM J	
801	R508	RD-AZ102J-	R CARBON FILM	1/6 1K OHM J	
802	R509	RD-AZ622J-	R CARBON FILM	1/6 6.2K OHM J	
803	R510	RD-AZ101J-	R CARBON FILM	1/6 100 OHM J	
804	R512	RD-AZ241J-	R CARBON FILM	1/6 240 OHM J	
805	R513	RD-AZ154J-	R CARBON FILM	1/6 150K OHM J	

ELECTRICAL PARTS LIST

NO	LOC	PARTS CODE	PARTS NAME	PARTS DESCRIPTION	REMARK
806	R514	RD-AZ472J-	R CARBON FILM	1/6 4.7K OHM J	
807	R515	RD-AZ102J-	R CARBON FILM	1/6 1K OHM J	
808	R516	RD-AZ331J-	R CARBON FILM	1/6 330 OHM J	
809	R535	RD-AZ242J-	R CARBON FILM	1/6 2.4K OHM J	
810	R554	RD-4Z102J-	R CARBON FILM	1/4 1K OHM J	
811	R568	RN-4Z4701F	R METAL FILM	1/4 4.70K OHM F	
812	R602	RD-AZ223J-	R CARBON FILM	1/6 22K OHM J	
813	R603	RD-AZ392J-	R CARBON FILM	1/6 3.9K OHM J	
814	R607	RD-AZ102J-	R CARBON FILM	1/6 1K OHM J	
815	R609	RD-AZ681J-	R CARBON FILM	1/6 680 OHM J	
816	R620	RD-AZ224J-	R CARBON FILM	1/6 220K OHM J	
817	R637	RD-AZ102J-	R CARBON FILM	1/6 1K OHM J	
818	R650	RD-AZ622J-	R CARBON FILM	1/6 6.2K OHM J	
819	R651	RD-AZ102J-	R CARBON FILM	1/6 1K OHM J	
820	R701	RD-AZ240J-	R CARBON FILM	1/6 24 OHM J	
821	R703	RD-AZ102J-	R CARBON FILM	1/6 1K OHM J	
822	R704	RD-AZ102J-	R CARBON FILM	1/6 1K OHM J	
823	R705	RD-AZ102J-	R CARBON FILM	1/6 1K OHM J	
824	R706	RD-AZ103J-	R CARBON FILM	1/6 10K OHM J	
825	R707	RD-AZ103J-	R CARBON FILM	1/6 10K OHM J	
826	R711	RD-AZ101J-	R CARBON FILM	1/6 100 OHM J	
827	R712	RD-AZ471J-	R CARBON FILM	1/6 470 OHM J	
828	R713	RD-AZ102J-	R CARBON FILM	1/6 1K OHM J	
829	R714	RD-AZ102J-	R CARBON FILM	1/6 1K OHM J	
830	R715	RD-AZ102J-	R CARBON FILM	1/6 1K OHM J	
831	R716	RD-AZ473J-	R CARBON FILM	1/6 47K OHM J	
832	R717	RD-AZ103J-	R CARBON FILM	1/6 10K OHM J	
833	R722	RD-AZ512J-	R CARBON FILM	1/6 5.1K OHM J	
834	R731	RD-AZ101J-	R CARBON FILM	1/6 100 OHM J	
835	R742	RD-AZ222J-	R CARBON FILM	1/6 2.2K OHM J	
836	R746	RD-AZ152J-	R CARBON FILM	1/6 1.5K OHM J	
837	R748	RD-AZ471J-	R CARBON FILM	1/6 470 OHM J	
838	R750	RD-AZ102J-	R CARBON FILM	1/6 1K OHM J	
839	R751	RD-AZ102J-	R CARBON FILM	1/6 1K OHM J	
840	R755	RD-AZ512J-	R CARBON FILM	1/6 5.1K OHM J	
841	R769	RD-AZ471J-	R CARBON FILM	1/6 470 OHM J	
842	R770	RD-AZ101J-	R CARBON FILM	1/6 100 OHM J	
843	R776	RD-AZ562J-	R CARBON FILM	1/6 5.6K OHM J	
844	R777	RD-AZ562J-	R CARBON FILM	1/6 5.6K OHM J	
845	R790	RD-AZ472J-	R CARBON FILM	1/6 4.7K OHM J	
846	R797	RD-AZ361J-	R CARBON FILM	1/6 360 OHM J	
847	R803	RD-4Z102J-	R CARBON FILM	1/4 1K OHM J	
848	R804	RD-2Z100J-	R CARBON FILM	1/2 10 OHM J	
849	R805	RD-2Z272J-	R CARBON FILM	1/2 2.7K OHM J	
850	R806	RD-AZ472J-	R CARBON FILM	1/6 4.7K OHM J	

ELECTRICAL PARTS LIST

NO	LOC	PARTS CODE	PARTS NAME	PARTS DESCRIPTION	REMARK
851	R808	RD-4Z681J-	R CARBON FILM	1/4 680 OHM J	
852	R809	RD-4Z102J-	R CARBON FILM	1/4 1K OHM J	
853	R811	RD-4Z363J-	R CARBON FILM	1/4 36K OHM J	
854	R812	RD-AZ223J-	R CARBON FILM	1/6 22K OHM J	
855	R813	RD-AZ203J-	R CARBON FILM	1/6 20K OHM J	
856	R819	RD-AZ622J-	R CARBON FILM	1/6 6.2K OHM J	
857	R821	RD-2Z105J-	R CARBON FILM	1/2 1M OHM J	
858	R827	RD-AZ473J-	R CARBON FILM	1/6 47K OHM J	
859	R829	RD-4Z622J-	R CARBON FILM	1/4 6.2K OHM J	
860	R830	RD-AZ472J-	R CARBON FILM	1/6 4.7K OHM J	
861	R831	85801065GY	WIRE COPPER	AWG22 1/0.65 TIN COATING	
862	R833	RD-AZ103J-	R CARBON FILM	1/6 10K OHM J	
863	R834	RD-4Z109J-	R CARBON FILM	1/4 1 OHM J	
864	R888	RC-2Z225KP	R CARBON COMP	1/2 2.2M OHM K	⚠
865	RCS11	RD-AZ103J-	R CARBON FILM	1/6 10K OHM J	
866	RS209	RD-AZ680J-	R CARBON FILM	1/6 68 OHM J	
867	RS210	RD-AZ101J-	R CARBON FILM	1/6 100 OHM J	
868	RS211	RD-AZ101J-	R CARBON FILM	1/6 100 OHM J	
869	RS38	RD-AZ622J-	R CARBON FILM	1/6 6.2K OHM J	
870	RS48	RD-AZ102J-	R CARBON FILM	1/6 1K OHM J	
871	RS718	RD-AZ102J-	R CARBON FILM	1/6 1K OHM J	
872	RS719	RD-AZ102J-	R CARBON FILM	1/6 1K OHM J	
873	RS781	RD-AZ102J-	R CARBON FILM	1/6 1K OHM J	
874	RS783	RD-AZ102J-	R CARBON FILM	1/6 1K OHM J	
875	ZZ300	PTCPMSK003	PCB CRT MANUAL AS	DTQ-29U8F	
876	I901	PTB2SW5403	HEAT SINK ASS'Y	1TEA5101B- + 7174300811	Ⓜ
877	I901	1TEA5101B-	IC VIDEO AMP	TEA5101B	Ⓜ
878	I901A	4857025403	HEAT SINK	AL050P-H24 T=2	Ⓜ
879	I901B	7174300811	SCREW TAPPTITE	TT2 RND 3X8 MFZN	
880	M684	4856812001	TIE CABLE	NYLON66 DA100	
881	P903	4859238620	CONN WAFER	YPW500-02	
882	P904	4859205620	CONN WAFER	LW-0640-03	
883	PA401	4850707S02	CONNECTOR	YH025-07+YST025+ULW=400	
884	PA501	4850705S12	CONNECTOR	YH025-05+YST025+ULW=500	
885	Q908	PTE2SW6901	HEAT SINK ASS'Y	TKTA1659Y- + 7174300811	Ⓜ
886	00001	TKTA1659AY	TR	KTA1659AY	Ⓜ
887	0000A	4857026901	HEAT SINK	AL EX BK	Ⓜ
888	0000B	7174300811	SCREW TAPPTITE	TT2 RND 3X8 MFZN	
889	Q909	PTB2SW6900	HEAT SINK ASS'Y	TKTC4370Y- + 7174300811	Ⓜ
890	0000A	4857026900	HEAT SINK	AL EX	Ⓜ
891	0000B	7174300811	SCREW TAPPTITE	TT2 RND 3X8 MFZN	
892	001--	TKTC4370AY	TR	KTC4370AY	Ⓜ
893	R951	RS01Z331J-	R M-OXIDE FILM	1W 330 OHM J (TAPPING)	
894	SCT1	4859302830	SOCKET CRT	ISH-02S	⚠
895	ZZ200	PTCPJ0K003	PCB CRT ODD SHAPE AS	DTQ-29U8F	

ELECTRICAL PARTS LIST

NO	LOC	PARTS CODE	PARTS NAME	PARTS DESCRIPTION	REMARK
896	C907	CEXF2E100V	C ELECTRO	250V RSS 10MF (10X20) TP	
897	C908	CEXF2E100V	C ELECTRO	250V RSS 10MF (10X20) TP	
898	C909	CH1BEE472M	C CERA AC	U/C/V 2.5KV 4700PF TP	
899	C941	CEXF2C470V	C ELECTRO	160V RSS 47MF (13X25) TP	
900	C942	CEXF2C100V	C ELECTRO	160V RSS 10MF (10X16) TP	
901	C943	CEXF2C470V	C ELECTRO	160V RSS 47MF (13X25) TP	
902	C945	CEXF2C100V	C ELECTRO	160V RSS 10MF (10X16) TP	
903	ZZ200	PTCPJBK003	PCB CRT M-10 AS	DTQ-29U8F	
904	R904	RS01Z683J-	R M-OXIDE FILM	1W 68K OHM J (TAPPING)	
905	R907	RS01Z683J-	R M-OXIDE FILM	1W 68K OHM J (TAPPING)	
906	R910	RS01Z683J-	R M-OXIDE FILM	1W 68K OHM J (TAPPING)	
907	R954	RF01Z229J-	R FUSIBLE	1W 2.2 OHM J (TAPPING)	
908	R956	RS02Z102JS	R M-OXIDE FILM	2W 1K OHM J SMALL	
909	ZZ200	PTCPJRK003	PCB CRT RADIAL AS	DTQ-29U8F	
910	C901	CEXF1H100C	C ELECTRO	50V RUS 10MF (5X11) TP	
911	C902	CMXM2A104J	C MYLAR	100V 0.1MF J (TP)	
912	C904	CCXB2H102K	C CERA	500V B 1000PF K (TAPPING)	
913	C905	CCXB2H102K	C CERA	500V B 1000PF K (TAPPING)	
914	C906	CCXB2H102K	C CERA	500V B 1000PF K (TAPPING)	
915	C915	CMXM2A822J	C MYLAR	100V 8200PF J (TP)	
916	C916	CEXF1E470C	C ELECTRO	25V RUS 47MF (5X11) TP	
917	C920	CEXF1E470C	C ELECTRO	25V RUS 47MF (5X11) TP	
918	C922	CCXB1H472K	C CERA	50V B 4700PF K (TAPPING)	
919	C923	CCXB1H472K	C CERA	50V B 4700PF K (TAPPING)	
920	C944	CXSL2H470J	C CERA	500V SL 47PF J (TAPPING)	
921	C946	CEXF1C101V	C ELECTRO	16V RSS 100MF (6.3X11) TP	
922	C947	CMXL2E104K	C MYLAR	250V MEU 0.1MF K	
923	G901	4SG0DX0001	SPARK GAP	SSG-102-A1(1.0KV) TAP	
924	G902	4SG0DX0001	SPARK GAP	SSG-102-A1(1.0KV) TAP	
925	G903	4SG0DX0001	SPARK GAP	SSG-102-A1(1.0KV) TAP	
926	Q902	TKTC3198Y-	TR	KTC3198Y	®
927	Q903	TKTC3198Y-	TR	KTC3198Y	®
928	Q904	TKTC3198Y-	TR	KTC3198Y	®
929	Q905	TKTC3198Y-	TR	KTC3198Y	®
930	Q906	TKTC3198Y-	TR	KTC3198Y	®
931	Q907	TKTA1266Y-	TR	KTA1266Y (TP)	®
932	Q910	TKTA1266Y-	TR	KTA1266Y (TP)	®
933	R903	RN02B240JS	R METAL FILM	2W 24 OHM J SMALL	
934	R953	RN02B221JS	R METAL FILM	2W 220 OHM J SMALL	
935	ZZ200	PTCPJAK003	PCB CRT AXIAL AS	DTQ-29U8F	
936	A001	4859828413	PCB CRT	165X113(330X246/2X2) SIB	
937	C917	CCZB1H561K	C CERA	50V B 560PF K	
938	C918	CCZF1H103Z	C CERA	50V F 0.01MF Z	
939	C919	CCZB1H102K	C CERA	50V B 1000PF K (AXIAL)	
940	C921	CCZB1H101K	C CERA	50V B 100PF K (AXIAL)	

ELECTRICAL PARTS LIST

NO	LOC	PARTS CODE	PARTS NAME	PARTS DESCRIPTION	REMARK
941	C924	CCZB1H101K	C CERA	50V B 100PF K (AXIAL)	
942	D904	DLT2A05G--	DIODE	LT2A05G (TP)	Ⓡ
943	D905	DUZ12BM---	DIODE ZENER	UZ-12BM (UNIZON)	Ⓡ
944	D906	D1N4148---	DIODE	1N4148 (TAPPING)	Ⓡ
945	D907	D1N4148---	DIODE	1N4148 (TAPPING)	Ⓡ
946	D908	D1N4148---	DIODE	1N4148 (TAPPING)	Ⓡ
947	D909	D1N4148---	DIODE	1N4148 (TAPPING)	Ⓡ
948	D910	D1N4148---	DIODE	1N4148 (TAPPING)	Ⓡ
949	D911	D1N4004S--	DIODE	1N4004S	Ⓡ
950	D912	D1N4004S--	DIODE	1N4004S	Ⓡ
951	D913	DUZ9R1BM--	DIODE ZENER	UZ-9.1BM	Ⓡ
952	D914	D1N4148---	DIODE	1N4148 (TAPPING)	Ⓡ
953	D915	D1N4148---	DIODE	1N4148 (TAPPING)	Ⓡ
954	D916	D1N4148---	DIODE	1N4148 (TAPPING)	Ⓡ
955	D917	D1N4148---	DIODE	1N4148 (TAPPING)	Ⓡ
956	D918	DMTZJ5R6B-	DIODE ZENER	MTZJ 5.6B	Ⓡ
957	D919	DMTZJ5R6B-	DIODE ZENER	MTZJ 5.6B	Ⓡ
958	D920	D1N4937G--	DIODE	1N4937G (TAPPING)	Ⓡ
959	D921	D1N4937G--	DIODE	1N4937G (TAPPING)	Ⓡ
960	D922	D1N4937G--	DIODE	1N4937G (TAPPING)	Ⓡ
961	J901	85801065GY	WIRE COPPER	AWG22 1/0.65 TIN COATING	
962	J902	85801065GY	WIRE COPPER	AWG22 1/0.65 TIN COATING	
963	J904	85801065GY	WIRE COPPER	AWG22 1/0.65 TIN COATING	
964	J906	85801065GY	WIRE COPPER	AWG22 1/0.65 TIN COATING	
965	J907	85801065GY	WIRE COPPER	AWG22 1/0.65 TIN COATING	
966	J908	85801065GY	WIRE COPPER	AWG22 1/0.65 TIN COATING	
967	J910	85801065GY	WIRE COPPER	AWG22 1/0.65 TIN COATING	
968	J913	85801065GY	WIRE COPPER	AWG22 1/0.65 TIN COATING	
969	J914	85801065GY	WIRE COPPER	AWG22 1/0.65 TIN COATING	
970	J915	85801065GY	WIRE COPPER	AWG22 1/0.65 TIN COATING	
971	J916	85801065GY	WIRE COPPER	AWG22 1/0.65 TIN COATING	
972	J918	85801065GY	WIRE COPPER	AWG22 1/0.65 TIN COATING	
973	J922	85801065GY	WIRE COPPER	AWG22 1/0.65 TIN COATING	
974	L901	5MC0000100	COIL BEAD	HC-3550	
975	L902	5MC0000100	COIL BEAD	HC-3550	
976	L903	5MC0000100	COIL BEAD	HC-3550	
977	R905	RD-AZ471J-	R CARBON FILM	1/6 470 OHM J	
978	R906	RD-AZ222J-	R CARBON FILM	1/6 2.2K OHM J	
979	R908	RD-AZ471J-	R CARBON FILM	1/6 470 OHM J	
980	R909	RD-AZ222J-	R CARBON FILM	1/6 2.2K OHM J	
981	R911	RD-AZ471J-	R CARBON FILM	1/6 470 OHM J	
982	R912	RD-AZ222J-	R CARBON FILM	1/6 2.2K OHM J	
983	R913	RD-AZ751J-	R CARBON FILM	1/6 750 OHM J	
984	R914	RD-AZ472J-	R CARBON FILM	1/6 4.7K OHM J	
985	R915	RD-AZ751J-	R CARBON FILM	1/6 750 OHM J	

ELECTRICAL PARTS LIST

NO	LOC	PARTS CODE	PARTS NAME	PARTS DESCRIPTION	REMARK
986	R916	RD-AZ472J-	R CARBON FILM	1/6 4.7K OHM J	
987	R917	RD-AZ751J-	R CARBON FILM	1/6 750 OHM J	
988	R918	RD-AZ472J-	R CARBON FILM	1/6 4.7K OHM J	
989	R919	RC-2Z102K-	R CARBON COMP	1/2 1K OHM K	
990	R920	RC-2Z102K-	R CARBON COMP	1/2 1K OHM K	
991	R921	RC-2Z102K-	R CARBON COMP	1/2 1K OHM K	
992	R922	RD-2Z100J-	R CARBON FILM	1/2 10 OHM J	
993	R924	RD-AZ102J-	R CARBON FILM	1/6 1K OHM J	
994	R925	RD-AZ471J-	R CARBON FILM	1/6 470 OHM J	
995	R926	RD-2Z471J-	R CARBON FILM	1/2 470 OHM J	
996	R927	RD-AZ470J-	R CARBON FILM	1/6 47 OHM J	
997	R928	RD-AZ223J-	R CARBON FILM	1/6 22K OHM J	
998	R929	RD-AZ273J-	R CARBON FILM	1/6 27K OHM J	
999	R930	RD-AZ333J-	R CARBON FILM	1/6 33K OHM J	
1000	R932	RD-AZ392J-	R CARBON FILM	1/6 3.9K OHM J	
1001	R933	RD-AZ392J-	R CARBON FILM	1/6 3.9K OHM J	
1002	R934	RD-AZ393J-	R CARBON FILM	1/6 39K OHM J	
1003	R935	RD-AZ563J-	R CARBON FILM	1/6 56K OHM J	
1004	R936	RD-AZ103J-	R CARBON FILM	1/6 10K OHM J	
1005	R937	RD-AZ820J-	R CARBON FILM	1/6 82 OHM J	
1006	R938	RD-2Z100J-	R CARBON FILM	1/2 10 OHM J	
1007	R939	RD-AZ820J-	R CARBON FILM	1/6 82 OHM J	
1008	R940	RD-AZ122J-	R CARBON FILM	1/6 1.2K OHM J	
1009	R941	RD-AZ152J-	R CARBON FILM	1/6 1.5K OHM J	
1010	R942	RD-AZ683J-	R CARBON FILM	1/6 68K OHM J	
1011	R943	RD-AZ683J-	R CARBON FILM	1/6 68K OHM J	
1012	R944	RD-AZ123J-	R CARBON FILM	1/6 12K OHM J	
1013	R945	RD-AZ122J-	R CARBON FILM	1/6 1.2K OHM J	
1014	R946	RD-AZ152J-	R CARBON FILM	1/6 1.5K OHM J	
1015	R947	RD-4Z620J-	R CARBON FILM	1/4 62 OHM J	
1016	R948	RD-2Z279J-	R CARBON FILM	1/2 2.7 OHM J	
1017	R950	RD-2Z279J-	R CARBON FILM	1/2 2.7 OHM J	
1018	R952	RD-4Z620J-	R CARBON FILM	1/4 62 OHM J	
1019	R955	RD-AZ182J-	R CARBON FILM	1/6 1.8K OHM J	
1020	R957	RD-4Z105J-	R CARBON FILM	1/4 1M OHM J	
1021	R958	RD-2Z102J-	R CARBON FILM	1/2 1K OHM J	
1022	R959	RD-AZ103J-	R CARBON FILM	1/6 10K OHM J	

DIFERENT PARTS LIST

(DTQ-29U8SCN VS DTQ-29U8SSN)

NO	LOC	PARTS CODE	PARTS NAME	PARTS DESCRIPTION	DTQ-27U8SCN	DTQ-29U8SSN
1	00001	1STRF6626-	IC POWER	STR-F6626	PTM2SW8210	
2	00001	1STRF6656-	IC POWER	STR-F6656		PTN2SW8210
3	10	2TM14006LB	TAPE MASKING	3M #232 6.0X2000M	PTMPJAK007	PTMPJAK008
4	10	2TM18006BE	TAPE MASKING	6.2X500	PTMPJBK007	PTMPJBK008
5	20	2TM10006LB	TAPE MASKING	3M #232-MAP-C 6.2X2000M	PTMPJAK007	PTMPJAK008
6	AD01	4859000240	ADAPTER	2P15A 300V(D=4.0)		PTCACAK008
7	C804	CEYN2G331P	C ELECTRO	400V LHS 330MF (35X35)		PTMPMSK008
8	C804	CEYD2D681D	C ELECTRO	200V FHS 680MF (25X40)	PTMPMSK007	
9	C809	CH1BFE472M	C CERA AC	AC400V 4700PF M U/C/V	PTMPMSK007	
10	C834	CMXM2A683J	C MYLAR	100V 0.068MF J (TP)		PTMPJRK008
11	C834	CMXM2A273J	C MYLAR	100V 0.027MF J (TP)	PTMPJRK007	
12	C888	CH1BFE472M	C CERA AC	AC400V 4700PF M U/C/V	PTMPMSK007	
13	C889	CH1BFE472M	C CERA AC	AC400V 4700PF M U/C/V		PTMPMSK008
14	F801	5F1GB6321L	FUSE GLASS TUBE	UL/CSA TL 6.3A 125V MF51	PTMPMSK007	
15	I801	PTM2SW8210	HEAT SINK ASS'Y	1STRF6626- + 7174301011	PTMPMSK007	
16	I801	PTN2SW8210	HEAT SINK ASS'Y	1STRF6656- + 7174301011		PTMPMSK008
17	M201	4852078800	MASK FRONT	FR HIPS GY 29U8	PTFMSJK007	
18	M201	4852078801	MASK FRONT	HIPS GY 29U8		PTFMSJK008
19	M211	4852160400	COVER BACK	FR HIPS GY 29U8	PTBCSHK007	
20	M211	4852160401	COVER BACK	HIPS GY 29U8		PTBCSHK003
21	M481	4854860901	BUTTON POWER	ABS GY 29U8		PTFMSJK008
22	M481	4854860900	BUTTON POWER	FR ABS GY 29U8	PTFMSJK007	
23	M491	4854950401	BUTTON CH	ABS GY 29U8		PTFMSJK008
24	M491	4854950400	BUTTON CH	FR ABS GY 29U8	PTFMSJK007	
25	PWC1	4859900910	CORD POWER AS	KKP-419C+YPT-018=2100		PTMPMSK008
26	PWC1	4859907810	CORD POWER AS	ME301P+TER=2100	PTMPMSK007	
27	R801	DDB3R0M140	POSISTOR	ECPBD3R0M140	PTMPMSK007	
28	R801	DDB7R0M290	POSISTOR	ECPBD7R0M290		PTMPMSK008
29	R807	RC-2Z565J-	R CARBON COMP	1/2 5.6M OHM J		PTMPJAK008
30	R831	RS02Z103JS	R M-OXIDE FILM	2W 10K OHM J SMALL		PTMPJBK008
31	R831	85801065GY	WIRE COPPER	AWG22 1/0.65 TIN COATING	PTMPJAK007	
32	R832	RD-4Z203J-	R CARBON FILM	1/4 20K OHM J		PTMPJAK008
33	R835	RC-2Z335KP	R CARBON COMP	1/2 3.3M OHM K		PTMPJAK008
34	R888	RC-2Z225KP	R CARBON COMP	1/2 2.2M OHM K	PTMPJAK007	
35	V901	4859635261	CRT	A68QDL280X011(B) P45	PTCACAK007	
36	V901	4859635263	CRT	A68QDL280X011(B) P23		PTCACAK008
37	ZZ120	PTBCSHK007	COVER BACK AS	DTQ-29U8SCN	DTQ-29U8SCN	
38	ZZ120	PTBCSHK003	COVER BACK AS	DTQ-29U8F		DTQ-29U8SSN
39	ZZ132	58G0000143	COIL DEGAUSSING	DC-29S1	DTQ-29U8SCN	
40	ZZ132	58G0000149	COIL DEGAUSSING	DC-29SF		DTQ-29U8SSN
41	ZZ140	PTCACAK007	CABINET AS	DTQ-29U8SCN	DTQ-29U8SCN	
42	ZZ140	PTCACAK008	CABINET AS	DTQ-29U8SSN		DTQ-29U8SSN
43	ZZ200	PTFMSJK007	MASK FRONT AS	DTQ-29U8SCN	PTCACAK007	
44	ZZ200	PTMPJBK007	PCB MAIN M-10 AS	DTQ-29U8SCN	PTMPJ0K007	
45	ZZ200	PTMPJ0K007	PCB MAIN (RHU) AS	DTQ-29U8SCN	PTMPJ2K007	
46	ZZ200	PTMPJRK007	PCB MAIN RADIAL AS	DTQ-29U8SCN	PTMPJBK007	
47	ZZ200	PTMPJAK007	PCB MAIN AXIAL AS	DTQ-29U8SCN	PTMPJRK007	
48	ZZ200	PTMPJ2K007	PCB CHIP MOUNT B AS	DTQ-29U8SCN	PTMPMSK007	
49	ZZ200	PTFMSJK008	MASK FRONT AS	DTQ-29U8SSN		PTCACAK008
50	ZZ200	PTMPJ0K008	PCB MAIN (RHU) AS	DTQ-29U8SSN		PTMPJ2K008
51	ZZ200	PTMPJ2K008	PCB CHIP MOUNT B AS	DTQ-29U8SSN		PTMPMSK008
52	ZZ200	PTMPJAK008	PCB MAIN AXIAL AS	DTQ-29U8SSN		PTMPJRK008
53	ZZ200	PTMPJBK008	PCB MAIN M-10 AS	DTQ-29U8SSN		PTMPJ0K008
54	ZZ200	PTMPJRK008	PCB MAIN RADIAL AS	DTQ-29U8SSN		PTMPJBK008
55	ZZ290	PTMPMSK007	PCB MAIN MANUAL AS	DTQ-29U8SCN	PTCACAK007	
56	ZZ290	PTMPMSK008	PCB MAIN MANUAL AS	DTQ-29U8SSN		PTCACAK008

ELECTRICAL PARTS LIST

CAUTION

"I" is a safety part, so it must be used the same part.
"R" is a recommendable part for essential stock.

**THIS BOM IS BASED ON DTQ-29M5SSN.

NO	LOC	PARTS CODE	PARTS NAME	PARTS DESCRIPTION	REMARK
1	ZZ100	48B4343A07	TRANSMITTER REMOCON	R-43A07 (AA)	®
2	ZZ110	PTACPWK004	ACCESSORY AS	DTQ-29M5SSN	
3	00030	4850Q00810	BATTERY	R6P/LN	
4	00060	48586012E1	MANUAL INSTRUCTION	ENGLISH	
5	M351	4853534301	HOLDER ANT	HIPS BK	
6	M821	4858213801	BAG INSTRUCTION	L.D.P.E T0.05X250X400	
7	ZZ120	PTBCSHK004	COVER BACK AS	DTQ-29M5SSN	
8	M211	4852161111	COVER BACK	HIPS BK	
9	M781	4857817630	CLOTH BLACK	FELT 400X20X0.7	
10	ZZ130	PTPKCPJ999	PACKING AS	DTQ-29M4A	
11	10	6520010100	STAPLE PIN	AUTO W65	
12	M681	4856812400	BAND PP AUTO	T1.1XW17mmXL770M	
13	M801	4858057600	BOX CARTON	DW-3	
14	M811	4858199100	PAD	EPS 29M5	
15	M821	4858215601	BAG P.E	PE FOAM t0.5x1600x1270	
16	ZZ131	58G0000149	COIL DEGAUSSING	DC-29SF	⚠
17	ZZ132	48519A4210	CRT GROUND NET	2901H-1015-2P	
18	ZZ140	PTCACAK004	CABINET AS	DTQ-29M5SSN	
19	40	2TF01612CL	TAPE FILAMENT	0.15X12mmX55mm	
20	AD001	4859000240	ADAPTER	2P15A 300V(D=4.0)	
21	M201A	4856015800	SCREW CRT FIX	L=27	
22	M201B	4856215402	WASHER RUBBER	CR T2.0	
23	M211A	7172401612	SCREW TAPPTITE	TT2 TRS 4X16 MFZN BK	
24	M211B	7172401612	SCREW TAPPTITE	TT2 TRS 4X16 MFZN BK	
25	M231A	7172401612	SCREW TAPPTITE	TT2 TRS 4X16 MFZN BK	
26	M541	4855419800	SPEC PLATE	ART 150	
27	M591	4855934900	DECO TERM	PVC T0.3	
28	M681	4856816300	CLAMP WIRE	NYLON 6 (V0)	
29	M901	2224050027	BOND SILICON	TSK-5370	
30	SP01A	7172401212	SCREW TAPPTITE	TT2 TRS 4X12 MFZNBK	
31	SP02A	7172401212	SCREW TAPPTITE	TT2 TRS 4X12 MFZNBK	
32	V901	4859633761	CRT	A68KTB359X001(B) P38	⚠
33	ZZ200	PTFMSJJ999	MASK FRONT AS	DTQ-29M4A	
34	M201	4852079701	MASK FRONT	HIPS GY	
35	M231A	7178301212	SCREW TAPPTITE	TT2 WAS 3X12 MFZN BK	
36	M561	48556174SD	MARK BRAND	SILVER DIA-CUTTING	
37	M781	4857821102	CLOTH BLACK	FELT 340X10X1.5	
38	ZZ204	PTJASWK004	PCB JACK AS	DTQ-29M5SSN	
39	10	2193102005	SOLDER BAR	SN:PB=63:47 S63S-1320	
40	JA02	4859105450	JACK PIN BOARD	YSC03P-4120-9S	

ELECTRICAL PARTS LIST

NO	LOC	PARTS CODE	PARTS NAME	PARTS DESCRIPTION	REMARK
41	M111	4851114003	PANEL AV ASSY	2326802+5934301	
42	M111A	7178301011	SCREW TAPPTITE	TT2 WAS 3X10 MFZN	
43	M684	4856812001	TIE CABLE	NYLON66 DA100	
44	P201A	4850705S04	CONNECTOR	YH025-05+YBNH250+ULW=400	
45	ZZ200	PTJAJAK004	PCB JACK AXIAL AS	DTQ-29M5SSN	
46	A001	4859802917	PCB JACK	79.05X27.3(197X246/14)S1B	
47	CC608	CCZB1H102K	C CERA	50V B 1000PF K (AXIAL)	
48	CCS07	CCZB1H102K	C CERA	50V B 1000PF K (AXIAL)	
49	RC636	RD-AZ473J-	R CARBON FILM	1/6 47K OHM J	
50	RCS33	RD-AZ473J-	R CARBON FILM	1/6 47K OHM J	
51	ZZ205	PTPCSWJ912	PANEL CONTROL AS	DTQ-29M5	
52	M191	4851945700	BUTTON CTRL	4951401+5545800	
53	M191A	7178301011	SCREW TAPPTITE	TT2 WAS 3X10 MFZN	
54	M231	4852328201	PANEL DECO	ABS GY	
55	M481	4854861401	BUTTON POWER	ABS GY	
56	M481A	4856716000	SPRING	SWPA PIE0.5	
57	M591	4855933401	DECO EYE	ABS BLUE	
58	M591A	7178301011	SCREW TAPPTITE	TT2 WAS 3X10 MFZN	
59	ZZ210	PTSPPWK004	SPEAKER AS	DTQ-29M5SSN	
60	P601A	4850704S31	CONNECTOR	YH025-04+YRT205+ULW800400	
61	SP01	4858311110	SPEAKER	12W 8 OHM SP-58126F	
62	SP02	4858311110	SPEAKER	12W 8 OHM SP-58126F	
63	ZZ290	PTMPMSK004	PCB MAIN MANUAL AS	DTQ-29M5SSN	
64	10	2193102005	SOLDER BAR	SN:PB=63:47 S63S-1320	
65	30	2291050616	FLUX SOLDER	JS-64T3	
66	40	2291050301	FLUX SOLVENT	IM-1000	
67	A2	WP-1BK1015	WIRE LEAD 1007	AWG22 1/0.65 BK 5-100-5	
68	C307	CEYF1E222V	C ELECTRO	25V RSS 2200MF (16X25)	
69	C408	CMYH3C912J	C MYLAR	1.6KV BUP 9100PF J	
70	C409	CMYH3C822J	C MYLAR	1.6KV BUP 8200PF J	
71	C410	CMYE2G273J	C MYLAR	400V PU 0.027MF J	
72	C423	CMYE2G514J	C MYLAR	400V PU 0.51MF J	
73	C430	CEYD1H689W	C ELECTRO	50V RHD 6.8MF (16X35.5)	
74	C634	CEYF1V222V	C ELECTRO	35V RSS 2200MF (16X31.5)	
75	C803	CL1UC3104M	C LINE ACROSS	WORLD AC250V 0.1UF M R.47	
76	C804	CEYN2G331P	C ELECTRO	400V LHS 330MF (35X35)	
77	C809	CH1BFE472M	C CERA AC	AC400V 4700PF M U/C/V	
78	C813	CEYF2C221V	C ELECTRO	160V RSS 220MF (18X35.5)	
79	C821	CEYF1E222V	C ELECTRO	25V RSS 2200MF (16X25)	
80	C824	CBYB3D102K	C CERA SEMI	2KV BL(N) 1000PF K	
81	C831	CEYF1E332V	C ELECTRO	25V RSS 3300MF (16X31.5)	
82	D402	DDG3-----	DIODE	DG3	Ⓜ
83	D403	DRGP30J---	DIODE	RGP30J	Ⓜ
84	D801	PTC1SW8902	HEAT SINK ASS`Y	DPBS606GU- + 7174300811	⚠
85	D801	DPBS606GU-	DIODE BRIDGE	PBS606G	⚠

ELECTRICAL PARTS LIST

NO	LOC	PARTS CODE	PARTS NAME	PARTS DESCRIPTION	REMARK
86	D801A	4857018902	HEAT SINK	A1050P-H24	⚠
87	D801B	7174300811	SCREW TAPPTITE	TT2 RND 3X8 MFZN	
88	D810	DRGP30J---	DIODE	RGP30J	Ⓜ
89	D811	DRGP30J---	DIODE	RGP30J	Ⓜ
90	D815	DRGP30J---	DIODE	RGP30J	Ⓜ
91	DF01	DLH2PR----	LED BLOCK	LH-2P-R	Ⓜ
92	F801	5FKGB6323L	FUSE GLASS TUBE	KS MF51 6.3A 125/250V TL	⚠
93	I101	1LA76834--	IC MAIN	LA76834	Ⓜ
94	I301	PTC2SW8202	HEAT SINK ASS'Y	1LA7848--- + 7174300811	Ⓜ
95	00001	1LA7848---	IC VERTICAL	LA7848	Ⓜ
96	0000A	4857028202	HEAT SINK	AL EX BK	Ⓜ
97	0000B	7174300811	SCREW TAPPTITE	TT2 RND 3X8 MFZN	
98	I401	1KA7805---	IC REGULATOR	KA7805	Ⓜ
99	I502	1TDA9183P-	IC COMBFILTER	TDA9183P	Ⓜ
100	I503	1MM1118---	IC A/V SWITCH	MM1118	Ⓜ
101	I602	PTH2SW8210	HEAT SINK ASS'Y	1TDA8946J- + 7174301011	Ⓜ
102	00001	1TDA8946J-	IC AUDIO AMP	TDA8946J	Ⓜ
103	0000A	4857028210	HEAT SINK	AL EX	Ⓜ
104	0000B	7174301011	SCREW TAPPTITE	TT2 RND 3X10 MFZN	
105	0000C	4856815900	CLAMP WIRE	EGI T0.4+PVC COATING	
106	I701	1DW8632KM1	IC MICOM	DW863240V-KM1(5V37)	Ⓜ
107	I702	1AT24C16PC	IC	AT24C16-10PC	Ⓜ
108	I703	1KA7805---	IC REGULATOR	KA7805	Ⓜ
109	I801	PTA2SW7920	HEAT SINK ASS'Y	1STRF6656- + 7174301011	Ⓜ
110	00001	1STRF6656-	IC POWER	STR-F6656	Ⓜ
111	0000A	4857027920	HEAT SINK	AL EX BK	Ⓜ
112	0000B	7174301011	SCREW TAPPTITE	TT2 RND 3X10 MFZN	
113	I802	1DP130----	IC ERROR AMP	DP130	Ⓜ
114	I803	1KP1010C--	IC PHOTO COUPLER	KP-1010C	⚠
115	I805	TX0202DA--	THYRISTOR	X0202DA1BA2	Ⓜ
116	IF01	1KRT30----	IC PREAMP	KRT30	Ⓜ
117	IS601	1MSP3420B8	IC SOUND PROCESSOR	MSP3420G-P0-B8	Ⓜ
118	IS603	1KA7805---	IC REGULATOR	KA7805	Ⓜ
119	JA01	4859110050	JACK PIN BOARD	PH-JB-9614D	
120	JAS03	4859110050	JACK PIN BOARD	PH-JB-9614D	
121	L105	58N0000042	COIL VCO	TRF-V008	
122	L403	58H0000047	COIL H-LINEARITY	TRL-190D	
123	L404	58C7070085	COIL CHOKE	TLN-3062A	
124	L801	5PTLF3024-	FILTER LINE	TLF-3024	⚠
125	M371A	4853747800	RETA PCB	NYLON 66	
126	M683	4856812001	TIE CABLE	NYLON66 DA100	
127	P102A	4850704S04	CONNECTOR	YH025-04+YST025+ULW=400	
128	P401A	4850705S04	CONNECTOR	YH025-05+YBNH250+ULW=400	
129	P901	4859238620	CONN WAFER	YPW500-02	
130	PWC1	4859900910	CORD POWER AS	KKP-419C+YPT-018=2100	⚠

ELECTRICAL PARTS LIST

NO	LOC	PARTS CODE	PARTS NAME	PARTS DESCRIPTION	REMARK
131	Q402	PTP2SW7602	HEAT SINK ASS`Y	T2SD2578-- + 7174301011	Ⓜ
132	00001	T2SD2578--	TR	2SD2578	
133	0000A	4857027602	HEAT SINK	AL EX	
134	0000B	7174300811	SCREW TAPPTITE	TT2 RND 3X8 MFZN	
135	Q403	TKTC3229--	TR	KTC3229	Ⓜ
136	Q801	TKTA968AY-	TR	KTA968AY	Ⓜ
137	Q901	PTL2SW6900	HEAT SINK ASS`Y	TKTC3229-- + 7174301011	Ⓜ
138	00001	TKTC3229--	TR	KTC3229	Ⓜ
139	0000A	4857026900	HEAT SINK	AL EX	Ⓜ
140	0000B	7174301011	SCREW TAPPTITE	TT2 RND 3X10 MFZN	
141	Q902	PTL2SW6900	HEAT SINK ASS`Y	TKTC3229-- + 7174301011	Ⓜ
142	00001	TKTC3229--	TR	KTC3229	Ⓜ
143	0000A	4857026900	HEAT SINK	AL EX	Ⓜ
144	0000B	7174301011	SCREW TAPPTITE	TT2 RND 3X10 MFZN	
145	Q903	PTL2SW6900	HEAT SINK ASS`Y	TKTC3229-- + 7174301011	Ⓜ
146	00001	TKTC3229--	TR	KTC3229	Ⓜ
147	0000A	4857026900	HEAT SINK	AL EX	Ⓜ
148	0000B	7174301011	SCREW TAPPTITE	TT2 RND 3X10 MFZN	
149	R801	DDC7R0M290	POSISTOR	ECPCD7R0M290	Ⓜ
150	R802	RX10T109KS	R CEMENT	10W 1 OHM K TRIPOD SMALL	
151	R825	RM02Y108K-	R METAL FLAT	2W 0.1 OHM K	
152	SCT01	4859303830	SOCKET CRT	ISHG94S	⚠
153	SF101	5PTSF5241P	FILTER SAW	TSF5241P	
154	SW707	5S40101143	SW POWER PUSH	PS3-22SP (P.C.B)	⚠
155	T401	5TD0000018	TRANS DRIVE	THD-120	Ⓜ
156	T402	50H0000189	FBT	FFA94048L	⚠
157	T402A	7178301212	SCREW TAPPTITE	TT2 WAS 3X12 MFZN BK	
158	T801	50M5345B1-	TRANS SMPS	TSM-5345B1	⚠
159	TU01	4859723330	TUNER VARACTOR	TEDH9-307A	
160	X702	5XYR03276C	CRYSTAL QUARTZ	C-001R 32.768000KHZ 20PPM	
161	XS601	5XE18R432E	CRYSTAL QUARTZ	HC-49/U 18.43200MHZ 30PPM	
162	Y801	5SC0101003	SW RELAY	DG12D1-0(M)-II 1C-1P	⚠
163	Z501	5PYXT4R5MB	FILTER CERA	XT 4.5MB	
164	Z802	DSVC471D14	VARISTOR	SVC471D14A	⚠
165	ZZ200	PTMPJ2K004	PCB CHIP MOUNT B AS	DTQ-29M5SSN	
166	CC102	HCFK103ZCA	C CHIP CERA	50V Y5V 0.01MF Z 2012	
167	CC111	HCFK104ZCA	C CHIP CERA	50V Y5V 0.1MF Z 2012	
168	CC112	HCFK103ZCA	C CHIP CERA	50V Y5V 0.01MF Z 2012	
169	CC113	HCFK104ZCA	C CHIP CERA	50V Y5V 0.1MF Z 2012	
170	CC151	HCFK104ZCA	C CHIP CERA	50V Y5V 0.1MF Z 2012	
171	CC154	HCFK104ZCA	C CHIP CERA	50V Y5V 0.1MF Z 2012	
172	CC180	HCFK103ZCA	C CHIP CERA	50V Y5V 0.01MF Z 2012	
173	CC206	HCFK104ZCA	C CHIP CERA	50V Y5V 0.1MF Z 2012	
174	CC209	HCFK104ZCA	C CHIP CERA	50V Y5V 0.1MF Z 2012	
175	CC401	HCQK181JCA	C CHIP CERA	50V CH 180PF J 2012	

ELECTRICAL PARTS LIST

NO	LOC	PARTS CODE	PARTS NAME	PARTS DESCRIPTION	REMARK
176	CC450	HCFK103ZCA	C CHIP CERA	50V Y5V 0.01MF Z 2012	
177	CC501	HCQK160JCA	C CHIP CERA	50V CH 16PF J 2012	
178	CC502	HCFK104ZCA	C CHIP CERA	50V Y5V 0.1MF Z 2012	
179	CC506	HCFK104ZCA	C CHIP CERA	50V Y5V 0.1MF Z 2012	
180	CC507	HCFK104ZCA	C CHIP CERA	50V Y5V 0.1MF Z 2012	
181	CC528	HCBK102KCA	C CHIP CERA	50V X7R 1000PF K 2012	
182	CC574	HCQK300JCA	C CHIP CERA	50V CH 30PF J 2012	
183	CC577	HCQK300JCA	C CHIP CERA	50V CH 30PF J 2012	
184	CC578	HCQK300JCA	C CHIP CERA	50V CH 30PF J 2012	
185	CC579	HCQK300JCA	C CHIP CERA	50V CH 30PF J 2012	
186	CC701	HCBK103KCA	C CHIP CERA	50V X7R 0.01MF K 2012	
187	CC708	HCQK120JCA	C CHIP CERA	50V CH 12PF J 2012	
188	CC716	HCBK103KCA	C CHIP CERA	50V X7R 0.01MF K 2012	
189	CC720	HCBK102KCA	C CHIP CERA	50V X7R 1000PF K 2012	
190	CC722	HCFK103ZCA	C CHIP CERA	50V Y5V 0.01MF Z 2012	
191	CC723	HCBK103KCA	C CHIP CERA	50V X7R 0.01MF K 2012	
192	CC741	HCQK221JCA	C CHIP CERA	50V CH 220PF J 2012	
193	CC752	HCQK180JCA	C CHIP CERA	50V CH 18PF J 2012	
194	CC754	HCFK104ZCA	C CHIP CERA	50V Y5V 0.1MF Z 2012	
195	CC757	HCBK333KCA	C CHIP CERA	50V X7R 0.033MF K 2012	
196	CC777	HCFK103ZCA	C CHIP CERA	50V Y5V 0.01MF Z 2012	
197	CC821	HCFK104ZCA	C CHIP CERA	50V Y5V 0.1MF Z 2012	
198	CCS01	HCQK479CCA	C CHIP CERA	50V CH 4.7PF C 2012	
199	CCS02	HCQK479CCA	C CHIP CERA	50V CH 4.7PF C 2012	
200	CCS03	HCFK103ZCA	C CHIP CERA	50V Y5V 0.01MF Z 2012	
201	CCS04	HCFK103ZCA	C CHIP CERA	50V Y5V 0.01MF Z 2012	
202	CCS05	HCQK471JCA	C CHIP CERA	50V CH 470PF J 2012	
203	CCS06	HCFK104ZCA	C CHIP CERA	50V Y5V 0.1MF Z 2012	
204	CCS10	HCFK104ZCA	C CHIP CERA	50V Y5V 0.1MF Z 2012	
205	CCS11	HCBK102KCA	C CHIP CERA	50V X7R 1000PF K 2012	
206	CCS12	HCFK104ZCA	C CHIP CERA	50V Y5V 0.1MF Z 2012	
207	CCS13	HCFK104ZCA	C CHIP CERA	50V Y5V 0.1MF Z 2012	
208	CCS16	HCQK471JCA	C CHIP CERA	50V CH 470PF J 2012	
209	CCS17	HCQK471JCA	C CHIP CERA	50V CH 470PF J 2012	
210	CCS18	HCFK104ZCA	C CHIP CERA	50V Y5V 0.1MF Z 2012	
211	CCS21	HCBK103KCA	C CHIP CERA	50V X7R 0.01MF K 2012	
212	CCS22	HCBK103KCA	C CHIP CERA	50V X7R 0.01MF K 2012	
213	CCS24	HCBK103KCA	C CHIP CERA	50V X7R 0.01MF K 2012	
214	CCS25	HCQK471JCA	C CHIP CERA	50V CH 470PF J 2012	
215	CCS26	HCBK102KCA	C CHIP CERA	50V X7R 1000PF K 2012	
216	CCS27	HCBK102KCA	C CHIP CERA	50V X7R 1000PF K 2012	
217	CCS28	HCFK104ZCA	C CHIP CERA	50V Y5V 0.1MF Z 2012	
218	CCS29	HCBK102KCA	C CHIP CERA	50V X7R 1000PF K 2012	
219	CCS90	HCBK103KCA	C CHIP CERA	50V X7R 0.01MF K 2012	
220	CCS91	HCBK103KCA	C CHIP CERA	50V X7R 0.01MF K 2012	

ELECTRICAL PARTS LIST

NO	LOC	PARTS CODE	PARTS NAME	PARTS DESCRIPTION	REMARK
221	RC103	HRFT153JCA	R CHIP	1/10 15K OHM J 2012	
222	RC104	HRFT104JCA	R CHIP	1/10 100K OHM J 2012	
223	RC105	HRFT153JCA	R CHIP	1/10 15K OHM J 2012	
224	RC154	HRFT473JCA	R CHIP	1/10 47K OHM J 2012	
225	RC156	HRFT473JCA	R CHIP	1/10 47K OHM J 2012	
226	RC165	HRFT472JCA	R CHIP	1/10 4.7K OHM J 2012	
227	RC208	HRFT331JCA	R CHIP	1/10 330 OHM J 2012	
228	RC219	HRFT123JCA	R CHIP	1/10 12K OHM J 2012	
229	RC225	HRFT331JCA	R CHIP	1/10 330 OHM J 2012	
230	RC228	HRFT331JCA	R CHIP	1/10 330 OHM J 2012	
231	RC229	HRFT331JCA	R CHIP	1/10 330 OHM J 2012	
232	RC230	HRFT331JCA	R CHIP	1/10 330 OHM J 2012	
233	RC302	HRFT473JCA	R CHIP	1/10 47K OHM J 2012	
234	RC303	HRFT562JCA	R CHIP	1/10 5.6K OHM J 2012	
235	RC306	HRFT623JCA	R CHIP	1/10 62K OHM J 2012	
236	RC501	HRFT102JCA	R CHIP	1/10 1K OHM J 2012	
237	RC503	HRFT152JCA	R CHIP	1/10 1.5K OHM J 2012	
238	RC512	HRFT241JCA	R CHIP	1/10 240 OHM J 2012	
239	RC525	HRFT122JCA	R CHIP	1/10 1.2K OHM J 2012	
240	RC526	HRFT102JCA	R CHIP	1/10 1K OHM J 2012	
241	RC557	HRFT622JCA	R CHIP	1/10 6.2K OHM J 2012	
242	RC559	HRFT331JCA	R CHIP	1/10 330 OHM J 2012	
243	RC562	HRFT914JCA	R CHIP	1/10 910KOHM J 2012	
244	RC567	HRFT103JCA	R CHIP	1/10 10K OHM J 2012	
245	RC570	HRFT103JCA	R CHIP	1/10 10K OHM J 2012	
246	RC601	HRFT243JCA	R CHIP	1/10 24K OHM J 2012	
247	RC602	HRFT224JCA	R CHIP	1/10 220K OHM J 2012	
248	RC603	HRFT392JCA	R CHIP	1/10 3.9K OHM J 2012	
249	RC632	HRFT153JCA	R CHIP	1/10 15K OHM J 2012	
250	RC634	HRFT202JCA	R CHIP	1/10 2K OHM J 2012	
251	RC635	HRFT102JCA	R CHIP	1/10 1K OHM J 2012	
252	RC704	HRFT102JCA	R CHIP	1/10 1K OHM J 2012	
253	RC705	HRFT102JCA	R CHIP	1/10 1K OHM J 2012	
254	RC706	HRFT473JCA	R CHIP	1/10 47K OHM J 2012	
255	RC707	HRFT102JCA	R CHIP	1/10 1K OHM J 2012	
256	RC711	HRFT121JCA	R CHIP	1/10 120 OHM J 2012	
257	RC728	HRFT102JCA	R CHIP	1/10 1K OHM J 2012	
258	RC732	HRFT102JCA	R CHIP	1/10 1K OHM J 2012	
259	RC733	HRFT102JCA	R CHIP	1/10 1K OHM J 2012	
260	RC734	HRFT102JCA	R CHIP	1/10 1K OHM J 2012	
261	RC735	HRFT202JCA	R CHIP	1/10 2K OHM J 2012	
262	RC736	HRFT102JCA	R CHIP	1/10 1K OHM J 2012	
263	RC737	HRFT392JCA	R CHIP	1/10 3.9K OHM J 2012	
264	RC738	HRFT362JCA	R CHIP	1/10 3.6K OHM J 2012	
265	RC739	HRFT272JCA	R CHIP	1/10 2.7K OHM J 2012	

ELECTRICAL PARTS LIST

NO	LOC	PARTS CODE	PARTS NAME	PARTS DESCRIPTION	REMARK
266	RC742	HRFT222JCA	R CHIP	1/10 2.2K OHM J 2012	
267	RC746	HRFT152JCA	R CHIP	1/10 1.5K OHM J 2012	
268	RC748	HRFT471JCA	R CHIP	1/10 470 OHM J 2012	
269	RC749	HRFT103JCA	R CHIP	1/10 10K OHM J 2012	
270	RC750	HRFT102JCA	R CHIP	1/10 1K OHM J 2012	
271	RC751	HRFT102JCA	R CHIP	1/10 1K OHM J 2012	
272	RC752	HRFT103JCA	R CHIP	1/10 10K OHM J 2012	
273	RC753	HRFT000JCA	R CHIP	1/10 0 OHM J 2012	
274	RC756	HRFT472JCA	R CHIP	1/10 4.7K OHM J 2012	
275	RC757	HRFT514JCA	R CHIP	1/10 510K OHM J 2012	
276	RC767	HRFT472JCA	R CHIP	1/10 4.7K OHM J 2012	
277	RC777	HRFT103JCA	R CHIP	1/10 10K OHM J 2012	
278	RC780	HRFT102JCA	R CHIP	1/10 1K OHM J 2012	
279	RC782	HRFT102JCA	R CHIP	1/10 1K OHM J 2012	
280	RC797	HRFT331JCA	R CHIP	1/10 330 OHM J 2012	
281	RC798	HRFT473JCA	R CHIP	1/10 47K OHM J 2012	
282	RC799	HRFT103JCA	R CHIP	1/10 10K OHM J 2012	
283	RC901	HRFT471JCA	R CHIP	1/10 470 OHM J 2012	
284	RC902	HRFT471JCA	R CHIP	1/10 470 OHM J 2012	
285	RC903	HRFT471JCA	R CHIP	1/10 470 OHM J 2012	
286	RC907	HRFT471JCA	R CHIP	1/10 470 OHM J 2012	
287	RC908	HRFT121JCA	R CHIP	1/10 120 OHM J 2012	
288	RC909	HRFT121JCA	R CHIP	1/10 120 OHM J 2012	
289	RC915	HRFT221JCA	R CHIP	1/10 220 OHM J 2012	
290	RC921	HRFT471JCA	R CHIP	1/10 470 OHM J 2012	
291	RC922	HRFT471JCA	R CHIP	1/10 470 OHM J 2012	
292	RC923	HRFT471JCA	R CHIP	1/10 470 OHM J 2012	
293	RCS06	HRFT102JCA	R CHIP	1/10 1K OHM J 2012	
294	RCS07	HRFT102JCA	R CHIP	1/10 1K OHM J 2012	
295	RCS08	HRFT202JCA	R CHIP	1/10 2K OHM J 2012	
296	RCS09	HRFT203JCA	R CHIP	1/10 20K OHM J 2012	
297	RCS11	HRFT103JCA	R CHIP	1/10 10K OHM J 2012	
298	RCS12	HRFT203JCA	R CHIP	1/10 20K OHM J 2012	
299	RCS14	HRFT473JCA	R CHIP	1/10 47K OHM J 2012	
300	RCS16	HRFT750JCA	R CHIP	1/10 75 OHM J 2012	
301	RCS30	HRFT473JCA	R CHIP	1/10 47K OHM J 2012	
302	RCS31	HRFT101JCA	R CHIP	1/10 100 OHM J 2012	
303	RCS32	HRFT473JCA	R CHIP	1/10 47K OHM J 2012	
304	RCS34	HRFT102JCA	R CHIP	1/10 1K OHM J 2012	
305	RCS37	HRFT102JCA	R CHIP	1/10 1K OHM J 2012	
306	RCS39	HRFT473JCA	R CHIP	1/10 47K OHM J 2012	
307	RCS40	HRFT473JCA	R CHIP	1/10 47K OHM J 2012	
308	RCS41	HRFT102JCA	R CHIP	1/10 1K OHM J 2012	
309	RCS78	HRFT472JCA	R CHIP	1/10 4.7K OHM J 2012	
310	RCT01	HRFT100JCA	R CHIP	1/10 10 OHM J 2012	

ELECTRICAL PARTS LIST

NO	LOC	PARTS CODE	PARTS NAME	PARTS DESCRIPTION	REMARK
311	RCT02	HRFT622JCA	R CHIP	1/10 6.2K OHM J 2012	
312	RCT04	HRFT623JCA	R CHIP	1/10 62K OHM J 2012	
313	ZZ200	PTMPJ0K004	PCB MAIN (RHU) AS	DTQ-29M5SSN	
314	C113	CEXF1C471V	C ELECTRO	16V RSS 470MF (8X12)TP	
315	C212	CEXF1C471V	C ELECTRO	16V RSS 470MF (8X12)TP	
316	C311	CEXF1C471V	C ELECTRO	16V RSS 470MF (8X12)TP	
317	C403	CEXF2C101V	C ELECTRO	160V RSS 100MF (16X25) TP	
318	C404	CEXF2E100V	C ELECTRO	250V RSS 10MF (10X20) TP	
319	C417	CEXF1V471V	C ELECTRO	35V RSS 470MF (10X20) TP	
320	C419	CEXF1V102V	C ELECTRO	35V RSS 1000MF (13X25) TP	
321	C424	CEXA2D229E	C ELECTRO	200V RUL 2.2MF (10X16) TP	
322	C433	CEXF1C471C	C ELECTRO	16V RUS 470MF (10X12.5)TP	
323	C437	CEXF1E471C	C ELECTRO	25V RUS 470MF (10X16) TP	
324	C805	CH1BEE472M	C CERA AC	U/C/V 2.5KV 4700PF TP	⚠
325	C806	CH1BEE472M	C CERA AC	U/C/V 2.5KV 4700PF TP	⚠
326	C810	CBXB3D471K	C CERA SEMI	2KV BL(N) 470PF K (T)	
327	C816	CEXF2A470V	C ELECTRO	100V RSS 47MF (10X16) TP	
328	C820	CEXF1E102V	C ELECTRO	25V RSS 1000MF (13X20) TP	
329	C906	CH1BEE472M	C CERA AC	U/C/V 2.5KV 4700PF TP	
330	ZZ200	PTMPJ0K004	PCB MAIN M-10 AS	DTQ-29M5SSN	
331	10	2TM18006BE	TAPE MASKING	6.2X500	
332	E001	4856310600	EYE LET	BSR T0.2 (R2.3)	
333	E003	4856310600	EYE LET	BSR T0.2 (R2.3)	
334	E004	4856310300	EYE LET	BSR T0.2 (R1.6)	
335	E005	4856310300	EYE LET	BSR T0.2 (R1.6)	
336	E007	4856310600	EYE LET	BSR T0.2 (R2.3)	
337	E008	4856310600	EYE LET	BSR T0.2 (R2.3)	
338	E009	4856310300	EYE LET	BSR T0.2 (R1.6)	
339	E010	4856310600	EYE LET	BSR T0.2 (R2.3)	
340	E011	4856310600	EYE LET	BSR T0.2 (R2.3)	
341	E012	4856310600	EYE LET	BSR T0.2 (R2.3)	
342	E013	4856310600	EYE LET	BSR T0.2 (R2.3)	
343	E014	4856310300	EYE LET	BSR T0.2 (R1.6)	
344	E015	4856310300	EYE LET	BSR T0.2 (R1.6)	
345	E016	4856310300	EYE LET	BSR T0.2 (R1.6)	
346	E017	4856310300	EYE LET	BSR T0.2 (R1.6)	
347	E018	4856310300	EYE LET	BSR T0.2 (R1.6)	
348	E019	4856310300	EYE LET	BSR T0.2 (R1.6)	
349	E020	4856310300	EYE LET	BSR T0.2 (R1.6)	
350	E021	4856310300	EYE LET	BSR T0.2 (R1.6)	
351	E022	4856310300	EYE LET	BSR T0.2 (R1.6)	
352	E023	4856310300	EYE LET	BSR T0.2 (R1.6)	
353	E024	4856310300	EYE LET	BSR T0.2 (R1.6)	
354	E025	4856310300	EYE LET	BSR T0.2 (R1.6)	
355	E026	4856310300	EYE LET	BSR T0.2 (R1.6)	

ELECTRICAL PARTS LIST

NO	LOC	PARTS CODE	PARTS NAME	PARTS DESCRIPTION	REMARK
356	E027	4856310300	EYE LET	BSR T0.2 (R1.6)	
357	E030	4856310600	EYE LET	BSR T0.2 (R2.3)	
358	E031	4856310600	EYE LET	BSR T0.2 (R2.3)	
359	E039	4856310600	EYE LET	BSR T0.2 (R2.3)	
360	E040	4856310600	EYE LET	BSR T0.2 (R2.3)	
361	E042	4856310600	EYE LET	BSR T0.2 (R2.3)	
362	E043	4856310600	EYE LET	BSR T0.2 (R2.3)	
363	E044	4856310600	EYE LET	BSR T0.2 (R2.3)	
364	E045	4856310600	EYE LET	BSR T0.2 (R2.3)	
365	E046	4856310600	EYE LET	BSR T0.2 (R2.3)	
366	E047	4856310600	EYE LET	BSR T0.2 (R2.3)	
367	E048	4856310600	EYE LET	BSR T0.2 (R2.3)	
368	E049	4856310600	EYE LET	BSR T0.2 (R2.3)	
369	E050	4856310600	EYE LET	BSR T0.2 (R2.3)	
370	E051	4856310600	EYE LET	BSR T0.2 (R2.3)	
371	E052	4856310600	EYE LET	BSR T0.2 (R2.3)	
372	E053	4856310600	EYE LET	BSR T0.2 (R2.3)	
373	E059	4856310300	EYE LET	BSR T0.2 (R1.6)	
374	E060	4856310300	EYE LET	BSR T0.2 (R1.6)	
375	E064	4856310300	EYE LET	BSR T0.2 (R1.6)	
376	E074	4856310600	EYE LET	BSR T0.2 (R2.3)	
377	E075	4856310600	EYE LET	BSR T0.2 (R2.3)	
378	E079	4856310300	EYE LET	BSR T0.2 (R1.6)	
379	E081	4856310300	EYE LET	BSR T0.2 (R1.6)	
380	E082	4856310300	EYE LET	BSR T0.2 (R1.6)	
381	E083	4856310300	EYE LET	BSR T0.2 (R1.6)	
382	E088	4856310600	EYE LET	BSR T0.2 (R2.3)	
383	E089	4856310600	EYE LET	BSR T0.2 (R2.3)	
384	E108	4856310300	EYE LET	BSR T0.2 (R1.6)	
385	E109	4856310300	EYE LET	BSR T0.2 (R1.6)	
386	E112	4856310300	EYE LET	BSR T0.2 (R1.6)	
387	E113	4856310300	EYE LET	BSR T0.2 (R1.6)	
388	E117	4856310300	EYE LET	BSR T0.2 (R1.6)	
389	E118	4856310300	EYE LET	BSR T0.2 (R1.6)	
390	E119	4856310300	EYE LET	BSR T0.2 (R1.6)	
391	E120	4856310300	EYE LET	BSR T0.2 (R1.6)	
392	E121	4856310300	EYE LET	BSR T0.2 (R1.6)	
393	E122	4856310300	EYE LET	BSR T0.2 (R1.6)	
394	E123	4856310300	EYE LET	BSR T0.2 (R1.6)	
395	E124	4856310300	EYE LET	BSR T0.2 (R1.6)	
396	E125	4856310300	EYE LET	BSR T0.2 (R1.6)	
397	E126	4856310300	EYE LET	BSR T0.2 (R1.6)	
398	E133	4856310300	EYE LET	BSR T0.2 (R1.6)	
399	E139	4856310300	EYE LET	BSR T0.2 (R1.6)	
400	E140	4856310300	EYE LET	BSR T0.2 (R1.6)	

ELECTRICAL PARTS LIST

NO	LOC	PARTS CODE	PARTS NAME	PARTS DESCRIPTION	REMARK
401	E141	4856310300	EYE LET	BSR T0.2 (R1.6)	
402	E142	4856310300	EYE LET	BSR T0.2 (R1.6)	
403	E143	4856310300	EYE LET	BSR T0.2 (R1.6)	
404	E144	4856310300	EYE LET	BSR T0.2 (R1.6)	
405	E145	4856310300	EYE LET	BSR T0.2 (R1.6)	
406	E146	4856310300	EYE LET	BSR T0.2 (R1.6)	
407	E147	4856310300	EYE LET	BSR T0.2 (R1.6)	
408	E148	4856310300	EYE LET	BSR T0.2 (R1.6)	
409	E149	4856310300	EYE LET	BSR T0.2 (R1.6)	
410	E150	4856310300	EYE LET	BSR T0.2 (R1.6)	
411	E151	4856310600	EYE LET	BSR T0.2 (R2.3)	
412	E152	4856310600	EYE LET	BSR T0.2 (R2.3)	
413	E155	4856310600	EYE LET	BSR T0.2 (R2.3)	
414	E156	4856310600	EYE LET	BSR T0.2 (R2.3)	
415	E157	4856310300	EYE LET	BSR T0.2 (R1.6)	
416	E158	4856310300	EYE LET	BSR T0.2 (R1.6)	
417	E159	4856310300	EYE LET	BSR T0.2 (R1.6)	
418	E161	4856310600	EYE LET	BSR T0.2 (R2.3)	
419	E162	4856310600	EYE LET	BSR T0.2 (R2.3)	
420	N001	4857417500	TERM PIN	DA-IB0214(D2.3/DY PIN)	
421	N002	4857417500	TERM PIN	DA-IB0214(D2.3/DY PIN)	
422	N003	4857417500	TERM PIN	DA-IB0214(D2.3/DY PIN)	
423	N004	4857417500	TERM PIN	DA-IB0214(D2.3/DY PIN)	
424	N007	4857417500	TERM PIN	DA-IB0214(D2.3/DY PIN)	
425	N008	4857417500	TERM PIN	DA-IB0214(D2.3/DY PIN)	
426	P102	485923172S	CONN WAFER	YW025-04 (STICK)	
427	P201	485923182S	CONN WAFER	YW025-05 (STICK)	
428	P401	485923182S	CONN WAFER	YW025-05 (STICK)	
429	P601	485923172S	CONN WAFER	YW025-04 (STICK)	
430	R104	RS02Z472JS	R M-OXIDE FILM	2W 4.7K OHM J SMALL	
431	R401	RS02Z680JS	R M-OXIDE FILM	2W 68 OHM J SMALL	
432	R402	RS02Z680JS	R M-OXIDE FILM	2W 68 OHM J SMALL	
433	R411	RS02Z100J-	R M-OXIDE FILM	2W 10 OHM J (TAPPING)	
434	R417	RF01Z229J-	R FUSIBLE	1W 2.2 OHM J (TAPPING)	
435	R418	RF01Z229J-	R FUSIBLE	1W 2.2 OHM J (TAPPING)	
436	R419	RF02Z159J-	R FUSIBLE	2W 1.5 OHM J (TAPPING)	
437	R425	RS02Z163JS	R M-OXIDE FILM	2W 16K OHM J SMALL	
438	R810	RF01Z398K-	R FUSIBLE	1W 0.39 OHM K (TAPPING)	
439	R831	RS02Z103JS	R M-OXIDE FILM	2W 10K OHM J SMALL	
440	R837	RF02Z228K-	R FUSIBLE	2W 0.22 OHM K (TAPPING)	
441	R915	RF01Z229J-	R FUSIBLE	1W 2.2 OHM J (TAPPING)	
442	R916	RF01Z229J-	R FUSIBLE	1W 2.2 OHM J (TAPPING)	
443	ZZ200	PTMPJRK004	PCB MAIN RADIAL AS	DTQ-29M5SSN	
444	C106	CEXF1C101V	C ELECTRO	16V RSS 100MF (6.3X11) TP	
445	C107	CEXF1H228V	C ELECTRO	50V RSS 0.22MF (5X11) TP	

ELECTRICAL PARTS LIST

NO	LOC	PARTS CODE	PARTS NAME	PARTS DESCRIPTION	REMARK
446	C108	CEXF1H101V	C ELECTRO	50V RSS 100MF (8X11.5) TP	
447	C109	CEXF1H479V	C ELECTRO	50V RSS 4.7MF (5X11) TP	
448	C114	CEXF1H109V	C ELECTRO	50V RSS 1MF (5X11) TP	
449	C116	CMXM2A333J	C MYLAR	100V 0.033MF J (TP)	
450	C117	CMXM2A103J	C MYLAR	100V 0.01MF J (TP)	
451	C201	CEXF1H108V	C ELECTRO	50V RSS 0.1MF (5X11) TP	
452	C202	CEXF1H100V	C ELECTRO	50V RSS 10MF (5X11) TP	
453	C204	CEXF1H478V	C ELECTRO	50V RSS 0.47MF (5X11) TP	
454	C205	CEXF1C101V	C ELECTRO	16V RSS 100MF (6.3X11) TP	
455	C210	CEXF1E470V	C ELECTRO	25V RSS 47MF (5X11) TP	
456	C213	CEXF1H479V	C ELECTRO	50V RSS 4.7MF (5X11) TP	
457	C214	CEXF1H479V	C ELECTRO	50V RSS 4.7MF (5X11) TP	
458	C215	CEXF1H479V	C ELECTRO	50V RSS 4.7MF (5X11) TP	
459	C301	CXSL2H100D	C CERA	500V SL 10PF D (TAPPING)	
460	C303	CEXF1H100V	C ELECTRO	50V RSS 10MF (5X11) TP	
461	C304	CMXM2A224J	C MYLAR	100V 0.22MF J	
462	C305	CEXF1H101V	C ELECTRO	50V RSS 100MF (8X11.5) TP	
463	C306	CEXD1H109Q	C ELECTRO	50V RT 1MF (6.3X11) TP	
464	C308	CMXM2A153J	C MYLAR	100V 0.015MF J (TP)	
465	C309	CMXM2A473J	C MYLAR	100V 0.047MF J (TP)	
466	C310	CMXM2A103J	C MYLAR	100V 0.01MF J (TP)	
467	C312	CEXF1H100V	C ELECTRO	50V RSS 10MF (5X11) TP	
468	C313	CEXD1H109Q	C ELECTRO	50V RT 1MF (6.3X11) TP	
469	C314	CXCH1H200J	C CERA	50V CH 20PF J (TAPPING)	
470	C401	CCXB2H102K	C CERA	500V B 1000PF K (TAPPING)	
471	C402	CMXM2A104J	C MYLAR	100V 0.1MF J (TP)	
472	C405	CEXF2C109V	C ELECTRO	160V RSS 1MF (6.3X11) TP	
473	C416	CCXB2H102K	C CERA	500V B 1000PF K (TAPPING)	
474	C418	CCXB2H102K	C CERA	500V B 1000PF K (TAPPING)	
475	C420	CCXB2H102K	C CERA	500V B 1000PF K (TAPPING)	
476	C421	CEXF1H470V	C ELECTRO	50V RSS 47MF (6.3X11) TP	
477	C422	CCXB2H102K	C CERA	500V B 1000PF K (TAPPING)	
478	C429	CMXM2A104J	C MYLAR	100V 0.1MF J (TP)	
479	C501	CMXL1J105J	C MYLAR	63V MEU 1MF J	
480	C502	CEXF1H109V	C ELECTRO	50V RSS 1MF (5X11) TP	
481	C503	CEXF1C221V	C ELECTRO	16V RSS 220MF (8X11.5) TP	
482	C504	CEXF1H100V	C ELECTRO	50V RSS 10MF (5X11) TP	
483	C505	CEXF1H100V	C ELECTRO	50V RSS 10MF (5X11) TP	
484	C506	CEXF1H100V	C ELECTRO	50V RSS 10MF (5X11) TP	
485	C507	CMXM2A224J	C MYLAR	100V 0.22MF J	
486	C508	CMXM2A224J	C MYLAR	100V 0.22MF J	
487	C509	CEXF1H109V	C ELECTRO	50V RSS 1MF (5X11) TP	
488	C510	CEXF1H100V	C ELECTRO	50V RSS 10MF (5X11) TP	
489	C511	CMXM2A153J	C MYLAR	100V 0.015MF J (TP)	
490	C512	CEXF1H108V	C ELECTRO	50V RSS 0.1MF (5X11) TP	

ELECTRICAL PARTS LIST

NO	LOC	PARTS CODE	PARTS NAME	PARTS DESCRIPTION	REMARK
491	C513	CEXF1H109V	C ELECTRO	50V RSS 1MF (5X11) TP	
492	C517	CMXM2A103J	C MYLAR	100V 0.01MF J (TP)	
493	C518	CEXF1H478V	C ELECTRO	50V RSS 0.47MF (5X11) TP	
494	C601	CCXF1H103Z	C CERA	50V F 0.01MF Z (TAPPING)	
495	C602	CCXF1H103Z	C CERA	50V F 0.01MF Z (TAPPING)	
496	C603	CMXL1J224J	C MYLAR	63V MEU 0.22MF J (TP)	
497	C604	CEXF1H470V	C ELECTRO	50V RSS 47MF (6.3X11) TP	
498	C606	CMXM2A104J	C MYLAR	100V 0.1MF J (TP)	
499	C607	CMXL1J224J	C MYLAR	63V MEU 0.22MF J (TP)	
500	C610	CMXL1J224J	C MYLAR	63V MEU 0.22MF J (TP)	
501	C622	CMXM2A152J	C MYLAR	100V 1500PF J (TP)	
502	C625	CMXL1J104J	C MYLAR	63V MEU 0.1MF J	
503	C669	CEXF1H100V	C ELECTRO	50V RSS 10MF (5X11) TP	
504	C701	CEXF1H470V	C ELECTRO	50V RSS 47MF (6.3X11) TP	
505	C703	CEXF1H109V	C ELECTRO	50V RSS 1MF (5X11) TP	
506	C704	CEXF1H229V	C ELECTRO	50V RSS 2.2MF (5X11) TP	
507	C705	CEXF1H109V	C ELECTRO	50V RSS 1MF (5X11) TP	
508	C709	CEXF1C221V	C ELECTRO	16V RSS 220MF (8X11.5) TP	
509	C807	CCXB1H821K	C CERA	50V B 820PF K (TAPPING)	
510	C808	CEXF1H100V	C ELECTRO	50V RSS 10MF (5X11) TP	
511	C814	CXSL2H470J	C CERA	500V SL 47PF J (TAPPING)	
512	C818	CMXL1J224J	C MYLAR	63V MEU 0.22MF J (TP)	
513	C822	CEXF1C101A	C ELECTRO	16V RSM 100MF (6.3X7) TP	
514	C825	CEXF1H229V	C ELECTRO	50V RSS 2.2MF (5X11) TP	
515	C829	CEXF1H470V	C ELECTRO	50V RSS 47MF (6.3X11) TP	
516	C830	CCXB1H152K	C CERA	50V B 1500PF K (TAPPING)	
517	C832	CEXF1H220V	C ELECTRO	50V RSS 22MF (5X11) TP	
518	C833	CEXF1H479V	C ELECTRO	50V RSS 4.7MF (5X11) TP	
519	C834	CMXM2A683J	C MYLAR	100V 0.068MF J (TP)	
520	C862	CEXF1E101V	C ELECTRO	25V RSS 100MF (6.3X11) TP	
521	CS216	CEXF1H479V	C ELECTRO	50V RSS 4.7MF (5X11) TP	
522	CS217	CEXF1E221V	C ELECTRO	25V RSS 220MF (8X11.5) TP	
523	CS602	CEXF1H100V	C ELECTRO	50V RSS 10MF (5X11) TP	
524	CS605	CEXF1H100V	C ELECTRO	50V RSS 10MF (5X11) TP	
525	CS608	CEXF1H229V	C ELECTRO	50V RSS 2.2MF (5X11) TP	
526	CS609	CEXF1H100V	C ELECTRO	50V RSS 10MF (5X11) TP	
527	CS611	CEXF1H100V	C ELECTRO	50V RSS 10MF (5X11) TP	
528	CS612	CEXF1H339V	C ELECTRO	50V RSS 3.3MF (5X11) TP	
529	CS613	CMXL1J224J	C MYLAR	63V MEU 0.22MF J (TP)	
530	CS614	CMXM2A104J	C MYLAR	100V 0.1MF J (TP)	
531	CS615	CEXF1E470V	C ELECTRO	25V RSS 47MF (5X11) TP	
532	CS616	CEXF1H100V	C ELECTRO	50V RSS 10MF (5X11) TP	
533	CS617	CEXF1H100V	C ELECTRO	50V RSS 10MF (5X11) TP	
534	CS619	CEXF1H479V	C ELECTRO	50V RSS 4.7MF (5X11) TP	
535	CS621	CMXM2A152J	C MYLAR	100V 1500PF J (TP)	

ELECTRICAL PARTS LIST

NO	LOC	PARTS CODE	PARTS NAME	PARTS DESCRIPTION	REMARK
536	CS623	CMXM2A104J	C MYLAR	100V 0.1MF J (TP)	
537	CS624	CMXM2A104J	C MYLAR	100V 0.1MF J (TP)	
538	CS626	CMXL1J104J	C MYLAR	63V MEU 0.1MF J	
539	CS631	CEXF1E470V	C ELECTRO	25V RSS 47MF (5X11) TP	
540	CS632	CEXF1H479V	C ELECTRO	50V RSS 4.7MF (5X11) TP	
541	CT570	CEXF1H109V	C ELECTRO	50V RSS 1MF (5X11) TP	
542	F801A	4857415001	CLIP FUSE	PFC5000-0702	
543	F801B	4857415001	CLIP FUSE	PFC5000-0702	
544	L805	58CX430599	COIL CHOKE	AZ-9004Y 940K TP	
545	L806	58C0000096	COIL CHOKE	610G0233(470K)	
546	L809	58CX430599	COIL CHOKE	AZ-9004Y 940K TP	
547	L901	5CPX181J--	COIL PEAKING	180UH J (RADIAL)	
548	Q203	TKTA1266Y-	TR	KTA1266Y (TP)	®
549	Q601	TKTC3198Y-	TR	KTC3198Y	®
550	Q602	TKTC3198Y-	TR	KTC3198Y	®
551	Q603	TKTA1266Y-	TR	KTA1266Y (TP)	®
552	Q703	TKTC3203Y-	TR	KTC3203-Y	®
553	Q704	TKTA1266Y-	TR	KTA1266Y (TP)	®
554	Q705	TKTC3198Y-	TR	KTC3198Y	®
555	Q706	TKTC3198Y-	TR	KTC3198Y	®
556	Q802	TKTC3198Y-	TR	KTC3198Y	®
557	Q803	TKTC3198Y-	TR	KTC3198Y	®
558	Q806	TKTC3198Y-	TR	KTC3198Y	®
559	Q904	TKTC3198Y-	TR	KTC3198Y	®
560	Q905	TKTC3198Y-	TR	KTC3198Y	®
561	Q906	TKTC3198Y-	TR	KTC3198Y	®
562	Q907	TKTA1266Y-	TR	KTA1266Y (TP)	®
563	QS205	TKTC3198Y-	TR	KTC3198Y	®
564	R102	RN02B910JS	R METAL FILM	2W 91 OHM J SMALL	
565	R204	RN02B471JS	R METAL FILM	2W 470 OHM J SMALL	
566	R304	RN01B109JS	R METAL FILM	1W 1 OHM J SMALL	
567	R305	RN01B109JS	R METAL FILM	1W 1 OHM J SMALL	
568	R308	RN02B471JS	R METAL FILM	2W 470 OHM J SMALL	
569	R309	RN02B271JS	R METAL FILM	2W 270 OHM J SMALL	
570	R315	RN02B620JS	R METAL FILM	2W 62 OHM J SMALL	
571	R410	RN02B103JS	R METAL FILM	2W 10K OHM J SMALL	
572	R415	RN02B102JS	R METAL FILM	2W 1K OHM J SMALL	
573	R420	RN02B333JS	R METAL FILM	2W 33K OHM J SMALL	
574	R430	RN02B100JS	R METAL FILM	2W 10 OHM J SMALL	
575	R450	RN02B101JS	R METAL FILM	2W 100 OHM J SMALL	
576	R451	RN02B271JS	R METAL FILM	2W 270 OHM J SMALL	
577	R511	RN01B151JS	R METAL FILM	1W 150 OHM J SMALL	
578	R803	RN01B102JS	R METAL FILM	1W 1K OHM J SMALL	
579	R814	RN02B102JS	R METAL FILM	2W 1K OHM J SMALL	
580	R818	RN02B472JS	R METAL FILM	2W 4.7K OHM J SMALL	

ELECTRICAL PARTS LIST

NO	LOC	PARTS CODE	PARTS NAME	PARTS DESCRIPTION	REMARK
581	R823	RN02B103JS	R METAL FILM	2W 10K OHM J SMALL	
582	R826	RN02B240JS	R METAL FILM	2W 24 OHM J SMALL	
583	R828	RN02B100JS	R METAL FILM	2W 10 OHM J SMALL	
584	R921	RN02B203JS	R METAL FILM	2W 20K OHM J SMALL	
585	R922	RN02B203JS	R METAL FILM	2W 20K OHM J SMALL	
586	R923	RN02B203JS	R METAL FILM	2W 20K OHM J SMALL	
587	R924	RN02B203JS	R METAL FILM	2W 20K OHM J SMALL	
588	R925	RN02B203JS	R METAL FILM	2W 20K OHM J SMALL	
589	R926	RN02B203JS	R METAL FILM	2W 20K OHM J SMALL	
590	RS601	RN02B910JS	R METAL FILM	2W 91 OHM J SMALL	
591	RS602	RN01B121JS	R METAL FILM	1W 120 OHM J SMALL	
592	SW702	5S50101090	SW TACT	THVH472GCA	
593	SW703	5S50101090	SW TACT	THVH472GCA	
594	SW704	5S50101090	SW TACT	THVH472GCA	
595	SW705	5S50101090	SW TACT	THVH472GCA	
596	SW706	5S50101090	SW TACT	THVH472GCA	
597	SW708	5S50101090	SW TACT	THVH472GCA	
598	X501	5XEX3R579C	CRYSTAL QUARTZ	HC-49/U 3.579545M (TP)	
599	ZZ200	PTMPJAK004	PCB MAIN AXIAL AS	DTQ-29M5SSN	
600	10	2TM14006LB	TAPE MASKING	3M #232 6.0X2000M	
601	20	2TM10006LB	TAPE MASKING	3M #232-MAP-C 6.2X2000M	
602	A001	4859816691	PCB MAIN	330X246 S1B	
603	C500	CBZR1C392M	C CERA	16V Y5R 3900PF M (AXIAL)	
604	C901	CCZB1H271K	C CERA	50V B 270PF K	
605	C902	CCZB1H271K	C CERA	50V B 270PF K	
606	C903	CCZB1H271K	C CERA	50V B 270PF K	
607	CS618	CZSL1H470J	C CERA	50V SL 47PF J (AXIAL)	
608	CS620	CZSL1H200J	C CERA	50V SL 20PF J (AXIAL)	
609	D101	DUZ5R6BM--	DIODE ZENER	UZ-5.6BM	®
610	D102	DUZ33B----	DIODE ZENER	UZ-33B	®
611	D301	D1N4004S--	DIODE	1N4004S	®
612	D401	DUZ9R1BM--	DIODE ZENER	UZ-9.1BM	®
613	D404	D1N4148---	DIODE	1N4148 (TAPPING)	®
614	D406	DRGP15J---	DIODE	RGP15J	®
615	D407	D1N4937G--	DIODE	1N4937G (TAPPING)	®
616	D408	D1N4937G--	DIODE	1N4937G (TAPPING)	®
617	D410	D1N4937G--	DIODE	1N4937G (TAPPING)	®
618	D411	D1N4937G--	DIODE	1N4937G (TAPPING)	®
619	D415	DUZ9R1BM--	DIODE ZENER	UZ-9.1BM	®
620	D502	D1N4148---	DIODE	1N4148 (TAPPING)	®
621	D504	D1N4148---	DIODE	1N4148 (TAPPING)	®
622	D603	D1N4148---	DIODE	1N4148 (TAPPING)	®
623	D702	85801065GY	WIRE COPPER	AWG22 1/0.65 TIN COATING	
624	D705	D1N4148---	DIODE	1N4148 (TAPPING)	®
625	D706	DUZ3R9B---	DIODE ZENER	UZ-3.9B	®

ELECTRICAL PARTS LIST

NO	LOC	PARTS CODE	PARTS NAME	PARTS DESCRIPTION	REMARK
626	D710	85801065GY	WIRE COPPER	AWG22 1/0.65 TIN COATING	
627	D711	85801065GY	WIRE COPPER	AWG22 1/0.65 TIN COATING	
628	D712	85801065GY	WIRE COPPER	AWG22 1/0.65 TIN COATING	
629	D713	85801065GY	WIRE COPPER	AWG22 1/0.65 TIN COATING	
630	D719	D1N4148---	DIODE	1N4148 (TAPPING)	®
631	D720	DMTZJ5R6B-	DIODE ZENER	MTZJ 5.6B	®
632	D721	DMTZJ5R6B-	DIODE ZENER	MTZJ 5.6B	®
633	D803	D1N4937G--	DIODE	1N4937G (TAPPING)	®
634	D804	D1N4937G--	DIODE	1N4937G (TAPPING)	®
635	D805	D1N4937G--	DIODE	1N4937G (TAPPING)	®
636	D807	D1N4937G--	DIODE	1N4937G (TAPPING)	®
637	D812	D1N4937G--	DIODE	1N4937G (TAPPING)	®
638	D814	D1N4937G--	DIODE	1N4937G (TAPPING)	®
639	D819	D1N4937G--	DIODE	1N4937G (TAPPING)	®
640	DS601	DMTZJ5R6B-	DIODE ZENER	MTZJ 5.6B	®
641	DS605	DUZ8R2BM--	DIODE ZENER	UZ-8.2BM	®
642	DS609	D1N4148---	DIODE	1N4148 (TAPPING)	®
643	DS622	DMTZJ5R6B-	DIODE ZENER	MTZJ 5.6B	®
644	DS623	DMTZJ5R6B-	DIODE ZENER	MTZJ 5.6B	®
645	J001	85801065GY	WIRE COPPER	AWG22 1/0.65 TIN COATING	
646	J002	85801065GY	WIRE COPPER	AWG22 1/0.65 TIN COATING	
647	J003	85801065GY	WIRE COPPER	AWG22 1/0.65 TIN COATING	
648	J005	85801065GY	WIRE COPPER	AWG22 1/0.65 TIN COATING	
649	J006	85801065GY	WIRE COPPER	AWG22 1/0.65 TIN COATING	
650	J007	85801065GY	WIRE COPPER	AWG22 1/0.65 TIN COATING	
651	J008	85801065GY	WIRE COPPER	AWG22 1/0.65 TIN COATING	
652	J009	85801065GY	WIRE COPPER	AWG22 1/0.65 TIN COATING	
653	J010	85801065GY	WIRE COPPER	AWG22 1/0.65 TIN COATING	
654	J011	85801065GY	WIRE COPPER	AWG22 1/0.65 TIN COATING	
655	J012	85801065GY	WIRE COPPER	AWG22 1/0.65 TIN COATING	
656	J013	85801065GY	WIRE COPPER	AWG22 1/0.65 TIN COATING	
657	J014	85801065GY	WIRE COPPER	AWG22 1/0.65 TIN COATING	
658	J015	85801065GY	WIRE COPPER	AWG22 1/0.65 TIN COATING	
659	J016	85801065GY	WIRE COPPER	AWG22 1/0.65 TIN COATING	
660	J017	85801065GY	WIRE COPPER	AWG22 1/0.65 TIN COATING	
661	J018	85801065GY	WIRE COPPER	AWG22 1/0.65 TIN COATING	
662	J019	85801065GY	WIRE COPPER	AWG22 1/0.65 TIN COATING	
663	J020	85801065GY	WIRE COPPER	AWG22 1/0.65 TIN COATING	
664	J021	85801065GY	WIRE COPPER	AWG22 1/0.65 TIN COATING	
665	J022	85801065GY	WIRE COPPER	AWG22 1/0.65 TIN COATING	
666	J023	85801065GY	WIRE COPPER	AWG22 1/0.65 TIN COATING	
667	J024	85801065GY	WIRE COPPER	AWG22 1/0.65 TIN COATING	
668	J025	85801065GY	WIRE COPPER	AWG22 1/0.65 TIN COATING	
669	J026	85801065GY	WIRE COPPER	AWG22 1/0.65 TIN COATING	
670	J028	85801065GY	WIRE COPPER	AWG22 1/0.65 TIN COATING	

ELECTRICAL PARTS LIST

NO	LOC	PARTS CODE	PARTS NAME	PARTS DESCRIPTION	REMARK
671	J030	85801065GY	WIRE COPPER	AWG22 1/0.65 TIN COATING	
672	J031	85801065GY	WIRE COPPER	AWG22 1/0.65 TIN COATING	
673	J032	85801065GY	WIRE COPPER	AWG22 1/0.65 TIN COATING	
674	J033	85801065GY	WIRE COPPER	AWG22 1/0.65 TIN COATING	
675	J034	85801065GY	WIRE COPPER	AWG22 1/0.65 TIN COATING	
676	J035	85801065GY	WIRE COPPER	AWG22 1/0.65 TIN COATING	
677	J036	85801065GY	WIRE COPPER	AWG22 1/0.65 TIN COATING	
678	J037	85801065GY	WIRE COPPER	AWG22 1/0.65 TIN COATING	
679	J038	85801065GY	WIRE COPPER	AWG22 1/0.65 TIN COATING	
680	J039	85801065GY	WIRE COPPER	AWG22 1/0.65 TIN COATING	
681	J040	85801065GY	WIRE COPPER	AWG22 1/0.65 TIN COATING	
682	J041	85801065GY	WIRE COPPER	AWG22 1/0.65 TIN COATING	
683	J042	85801065GY	WIRE COPPER	AWG22 1/0.65 TIN COATING	
684	J043	85801065GY	WIRE COPPER	AWG22 1/0.65 TIN COATING	
685	J046	85801065GY	WIRE COPPER	AWG22 1/0.65 TIN COATING	
686	J047	85801065GY	WIRE COPPER	AWG22 1/0.65 TIN COATING	
687	J048	85801065GY	WIRE COPPER	AWG22 1/0.65 TIN COATING	
688	J049	85801065GY	WIRE COPPER	AWG22 1/0.65 TIN COATING	
689	J050	85801065GY	WIRE COPPER	AWG22 1/0.65 TIN COATING	
690	J051	85801065GY	WIRE COPPER	AWG22 1/0.65 TIN COATING	
691	J053	85801065GY	WIRE COPPER	AWG22 1/0.65 TIN COATING	
692	J054	85801065GY	WIRE COPPER	AWG22 1/0.65 TIN COATING	
693	J055	85801065GY	WIRE COPPER	AWG22 1/0.65 TIN COATING	
694	J056	85801065GY	WIRE COPPER	AWG22 1/0.65 TIN COATING	
695	J057	85801065GY	WIRE COPPER	AWG22 1/0.65 TIN COATING	
696	J058	85801065GY	WIRE COPPER	AWG22 1/0.65 TIN COATING	
697	J059	85801065GY	WIRE COPPER	AWG22 1/0.65 TIN COATING	
698	J060	85801065GY	WIRE COPPER	AWG22 1/0.65 TIN COATING	
699	J061	85801065GY	WIRE COPPER	AWG22 1/0.65 TIN COATING	
700	J062	85801065GY	WIRE COPPER	AWG22 1/0.65 TIN COATING	
701	J065	85801065GY	WIRE COPPER	AWG22 1/0.65 TIN COATING	
702	J067	85801065GY	WIRE COPPER	AWG22 1/0.65 TIN COATING	
703	J068	85801065GY	WIRE COPPER	AWG22 1/0.65 TIN COATING	
704	J070	85801065GY	WIRE COPPER	AWG22 1/0.65 TIN COATING	
705	J071	85801065GY	WIRE COPPER	AWG22 1/0.65 TIN COATING	
706	J072	85801065GY	WIRE COPPER	AWG22 1/0.65 TIN COATING	
707	J073	85801065GY	WIRE COPPER	AWG22 1/0.65 TIN COATING	
708	J076	85801065GY	WIRE COPPER	AWG22 1/0.65 TIN COATING	
709	J077	85801065GY	WIRE COPPER	AWG22 1/0.65 TIN COATING	
710	J078	85801065GY	WIRE COPPER	AWG22 1/0.65 TIN COATING	
711	J079	85801065GY	WIRE COPPER	AWG22 1/0.65 TIN COATING	
712	J081	85801065GY	WIRE COPPER	AWG22 1/0.65 TIN COATING	
713	J082	85801065GY	WIRE COPPER	AWG22 1/0.65 TIN COATING	
714	J083	85801065GY	WIRE COPPER	AWG22 1/0.65 TIN COATING	
715	J084	85801065GY	WIRE COPPER	AWG22 1/0.65 TIN COATING	

ELECTRICAL PARTS LIST

NO	LOC	PARTS CODE	PARTS NAME	PARTS DESCRIPTION	REMARK
716	J085	85801065GY	WIRE COPPER	AWG22 1/0.65 TIN COATING	
717	J086	85801065GY	WIRE COPPER	AWG22 1/0.65 TIN COATING	
718	J087	85801065GY	WIRE COPPER	AWG22 1/0.65 TIN COATING	
719	J088	85801065GY	WIRE COPPER	AWG22 1/0.65 TIN COATING	
720	J090	85801065GY	WIRE COPPER	AWG22 1/0.65 TIN COATING	
721	J091	85801065GY	WIRE COPPER	AWG22 1/0.65 TIN COATING	
722	J093	85801065GY	WIRE COPPER	AWG22 1/0.65 TIN COATING	
723	J094	85801065GY	WIRE COPPER	AWG22 1/0.65 TIN COATING	
724	J097	85801065GY	WIRE COPPER	AWG22 1/0.65 TIN COATING	
725	J098	85801065GY	WIRE COPPER	AWG22 1/0.65 TIN COATING	
726	J100	85801065GY	WIRE COPPER	AWG22 1/0.65 TIN COATING	
727	J101	85801065GY	WIRE COPPER	AWG22 1/0.65 TIN COATING	
728	J102	85801065GY	WIRE COPPER	AWG22 1/0.65 TIN COATING	
729	J104	85801065GY	WIRE COPPER	AWG22 1/0.65 TIN COATING	
730	J106	85801065GY	WIRE COPPER	AWG22 1/0.65 TIN COATING	
731	J108	85801065GY	WIRE COPPER	AWG22 1/0.65 TIN COATING	
732	J109	85801065GY	WIRE COPPER	AWG22 1/0.65 TIN COATING	
733	J110	85801065GY	WIRE COPPER	AWG22 1/0.65 TIN COATING	
734	J111	85801065GY	WIRE COPPER	AWG22 1/0.65 TIN COATING	
735	J112	85801065GY	WIRE COPPER	AWG22 1/0.65 TIN COATING	
736	J114	85801065GY	WIRE COPPER	AWG22 1/0.65 TIN COATING	
737	J115	85801065GY	WIRE COPPER	AWG22 1/0.65 TIN COATING	
738	J116	85801065GY	WIRE COPPER	AWG22 1/0.65 TIN COATING	
739	J117	85801065GY	WIRE COPPER	AWG22 1/0.65 TIN COATING	
740	J119	85801065GY	WIRE COPPER	AWG22 1/0.65 TIN COATING	
741	J120	85801065GY	WIRE COPPER	AWG22 1/0.65 TIN COATING	
742	J122	85801065GY	WIRE COPPER	AWG22 1/0.65 TIN COATING	
743	J123	85801065GY	WIRE COPPER	AWG22 1/0.65 TIN COATING	
744	J124	85801065GY	WIRE COPPER	AWG22 1/0.65 TIN COATING	
745	J125	85801065GY	WIRE COPPER	AWG22 1/0.65 TIN COATING	
746	J126	85801065GY	WIRE COPPER	AWG22 1/0.65 TIN COATING	
747	J127	85801065GY	WIRE COPPER	AWG22 1/0.65 TIN COATING	
748	J128	85801065GY	WIRE COPPER	AWG22 1/0.65 TIN COATING	
749	J130	85801065GY	WIRE COPPER	AWG22 1/0.65 TIN COATING	
750	J131	85801065GY	WIRE COPPER	AWG22 1/0.65 TIN COATING	
751	J132	85801065GY	WIRE COPPER	AWG22 1/0.65 TIN COATING	
752	J133	85801065GY	WIRE COPPER	AWG22 1/0.65 TIN COATING	
753	J134	85801065GY	WIRE COPPER	AWG22 1/0.65 TIN COATING	
754	J135	85801065GY	WIRE COPPER	AWG22 1/0.65 TIN COATING	
755	J138	85801065GY	WIRE COPPER	AWG22 1/0.65 TIN COATING	
756	J139	85801065GY	WIRE COPPER	AWG22 1/0.65 TIN COATING	
757	J140	85801065GY	WIRE COPPER	AWG22 1/0.65 TIN COATING	
758	J145	85801065GY	WIRE COPPER	AWG22 1/0.65 TIN COATING	
759	J147	85801065GY	WIRE COPPER	AWG22 1/0.65 TIN COATING	
760	J150	85801065GY	WIRE COPPER	AWG22 1/0.65 TIN COATING	

ELECTRICAL PARTS LIST

NO	LOC	PARTS CODE	PARTS NAME	PARTS DESCRIPTION	REMARK
761	J151	85801065GY	WIRE COPPER	AWG22 1/0.65 TIN COATING	
762	J152	85801065GY	WIRE COPPER	AWG22 1/0.65 TIN COATING	
763	J155	85801065GY	WIRE COPPER	AWG22 1/0.65 TIN COATING	
764	J157	85801065GY	WIRE COPPER	AWG22 1/0.65 TIN COATING	
765	J158	85801065GY	WIRE COPPER	AWG22 1/0.65 TIN COATING	
766	J160	85801065GY	WIRE COPPER	AWG22 1/0.65 TIN COATING	
767	J163	85801065GY	WIRE COPPER	AWG22 1/0.65 TIN COATING	
768	J164	85801065GY	WIRE COPPER	AWG22 1/0.65 TIN COATING	
769	J166	85801065GY	WIRE COPPER	AWG22 1/0.65 TIN COATING	
770	J168	85801065GY	WIRE COPPER	AWG22 1/0.65 TIN COATING	
771	J169	85801065GY	WIRE COPPER	AWG22 1/0.65 TIN COATING	
772	J171	85801065GY	WIRE COPPER	AWG22 1/0.65 TIN COATING	
773	J172	85801065GY	WIRE COPPER	AWG22 1/0.65 TIN COATING	
774	J173	85801065GY	WIRE COPPER	AWG22 1/0.65 TIN COATING	
775	J174	85801065GY	WIRE COPPER	AWG22 1/0.65 TIN COATING	
776	J176	85801065GY	WIRE COPPER	AWG22 1/0.65 TIN COATING	
777	J177	85801065GY	WIRE COPPER	AWG22 1/0.65 TIN COATING	
778	J178	85801065GY	WIRE COPPER	AWG22 1/0.65 TIN COATING	
779	J180	85801065GY	WIRE COPPER	AWG22 1/0.65 TIN COATING	
780	J181	85801065GY	WIRE COPPER	AWG22 1/0.65 TIN COATING	
781	J183	85801065GY	WIRE COPPER	AWG22 1/0.65 TIN COATING	
782	J185	85801065GY	WIRE COPPER	AWG22 1/0.65 TIN COATING	
783	J187	85801065GY	WIRE COPPER	AWG22 1/0.65 TIN COATING	
784	J189	85801065GY	WIRE COPPER	AWG22 1/0.65 TIN COATING	
785	J190	85801065GY	WIRE COPPER	AWG22 1/0.65 TIN COATING	
786	J193	85801065GY	WIRE COPPER	AWG22 1/0.65 TIN COATING	
787	J194	85801065GY	WIRE COPPER	AWG22 1/0.65 TIN COATING	
788	J195	85801065GY	WIRE COPPER	AWG22 1/0.65 TIN COATING	
789	J700	85801065GY	WIRE COPPER	AWG22 1/0.65 TIN COATING	
790	JS024	85801065GY	WIRE COPPER	AWG22 1/0.65 TIN COATING	
791	JS027	85801065GY	WIRE COPPER	AWG22 1/0.65 TIN COATING	
792	JS029	85801065GY	WIRE COPPER	AWG22 1/0.65 TIN COATING	
793	JS031	85801065GY	WIRE COPPER	AWG22 1/0.65 TIN COATING	
794	JS032	85801065GY	WIRE COPPER	AWG22 1/0.65 TIN COATING	
795	JS038	85801065GY	WIRE COPPER	AWG22 1/0.65 TIN COATING	
796	JS052	85801065GY	WIRE COPPER	AWG22 1/0.65 TIN COATING	
797	JS095	85801065GY	WIRE COPPER	AWG22 1/0.65 TIN COATING	
798	JS107	85801065GY	WIRE COPPER	AWG22 1/0.65 TIN COATING	
799	JS121	85801065GY	WIRE COPPER	AWG22 1/0.65 TIN COATING	
800	JS156	85801065GY	WIRE COPPER	AWG22 1/0.65 TIN COATING	
801	JS175	85801065GY	WIRE COPPER	AWG22 1/0.65 TIN COATING	
802	JT167	85801065GY	WIRE COPPER	AWG22 1/0.65 TIN COATING	
803	JT180	85801065GY	WIRE COPPER	AWG22 1/0.65 TIN COATING	
804	JT181	85801065GY	WIRE COPPER	AWG22 1/0.65 TIN COATING	
805	L101	5CPZ330K02	COIL PEAKING	33UH K (AXIAL 3.5MM)	

ELECTRICAL PARTS LIST

NO	LOC	PARTS CODE	PARTS NAME	PARTS DESCRIPTION	REMARK
806	L111	5CPZ568M02	COIL PEAKING	0.56UH M (AXIAL 3.5MM)	
807	L203	5CPZ100K04	COIL PEAKING	10UH 10.5MM K (LAL04TB)	
808	L401	58C0000026	COIL BEAD	HC-4035	
809	L501	5CPZ100K02	COIL PEAKING	10UH K (AXIAL 3.5MM)	
810	L502	5CPZ100K02	COIL PEAKING	10UH K (AXIAL 3.5MM)	
811	L533	5CPZ150K02	COIL PEAKING	15UH K (AXIAL 3.5MM)	
812	L701	5CPZ100K02	COIL PEAKING	10UH K (AXIAL 3.5MM)	
813	L802	5MC0000100	COIL BEAD	HC-3550	
814	L804	5MC0000100	COIL BEAD	HC-3550	
815	L807	5MC0000100	COIL BEAD	HC-3550	
816	L808	5MC0000100	COIL BEAD	HC-3550	
817	LS601	5CPZ560K02	COIL PEAKING	56UH K (AXIAL 3.5MM)	
818	LS602	5CPZ150K02	COIL PEAKING	15UH K (AXIAL 3.5MM)	
819	LS603	5CPZ560K04	COIL PEAKING	56UH K (AXIAL 10.5MM)	
820	R106	RD-AZ102J-	R CARBON FILM	1/6 1K OHM J	
821	R107	RD-AZ102J-	R CARBON FILM	1/6 1K OHM J	
822	R201	RD-AZ101J-	R CARBON FILM	1/6 100 OHM J	
823	R202	RD-AZ753J-	R CARBON FILM	1/6 75K OHM J	
824	R205	RD-AZ101J-	R CARBON FILM	1/6 100 OHM J	
825	R214	RD-AZ750J-	R CARBON FILM	1/6 75 OHM J	
826	R301	RD-AZ752J-	R CARBON FILM	1/6 7.5K OHM J	
827	R302	RD-AZ113J-	R CARBON FILM	1/6 11K OHM J	
828	R303	RN-AZ1002F	R METAL FILM	1/6 10K OHM F	
829	R306	RD-4Z124J-	R CARBON FILM	1/4 120K OHM J	
830	R307	RD-4Z153J-	R CARBON FILM	1/4 15K OHM J	
831	R310	RD-AZ103J-	R CARBON FILM	1/6 10K OHM J	
832	R311	RD-AZ363J-	R CARBON FILM	1/6 36K OHM J	
833	R312	RD-AZ133J-	R CARBON FILM	1/6 13K OHM J	
834	R313	RD-AZ913J-	R CARBON FILM	1/6 91K OHM J	
835	R406	RD-4Z203J-	R CARBON FILM	1/4 20K OHM J	
836	R408	RD-AZ102J-	R CARBON FILM	1/6 1K OHM J	
837	R413	RN-4Z8201F	R METAL FILM	1/4 8.2K OHM F	
838	R423	RD-2Z470J-	R CARBON FILM	1/2 47 OHM J	
839	R424	RD-4Z123J-	R CARBON FILM	1/4 12K OHM J	
840	R432	RD-4Z220J-	R CARBON FILM	1/4 22 OHM J	
841	R443	RD-AZ152J-	R CARBON FILM	1/6 1.5K OHM J	
842	R500	RD-AZ514J-	R CARBON FILM	1/6 510K OHM J	
843	R501	RD-4Z271J-	R CARBON FILM	1/4 270 OHM J	
844	R502	RD-2Z151J-	R CARBON FILM	1/2 150 OHM J	
845	R503	RD-AZ101J-	R CARBON FILM	1/6 100 OHM J	
846	R504	RD-AZ562J-	R CARBON FILM	1/6 5.6K OHM J	
847	R505	RD-AZ102J-	R CARBON FILM	1/6 1K OHM J	
848	R506	RD-AZ102J-	R CARBON FILM	1/6 1K OHM J	
849	R507	RD-AZ123J-	R CARBON FILM	1/6 12K OHM J	
850	R508	RD-AZ154J-	R CARBON FILM	1/6 150K OHM J	

ELECTRICAL PARTS LIST

NO	LOC	PARTS CODE	PARTS NAME	PARTS DESCRIPTION	REMARK
851	R510	RD-AZ101J-	R CARBON FILM	1/6 100 OHM J	
852	R554	RD-4Z102J-	R CARBON FILM	1/4 1K OHM J	
853	R568	RN-4Z4701F	R METAL FILM	1/4 4.70K OHM F	
854	R602	RD-AZ223J-	R CARBON FILM	1/6 22K OHM J	
855	R604	RD-AZ392J-	R CARBON FILM	1/6 3.9K OHM J	
856	R609	RD-4Z681J-	R CARBON FILM	1/4 680 OHM J	
857	R701	RD-AZ240J-	R CARBON FILM	1/6 24 OHM J	
858	R703	RD-AZ102J-	R CARBON FILM	1/6 1K OHM J	
859	R704	RD-AZ102J-	R CARBON FILM	1/6 1K OHM J	
860	R705	RD-AZ471J-	R CARBON FILM	1/6 470 OHM J	
861	R706	RD-AZ103J-	R CARBON FILM	1/6 10K OHM J	
862	R711	RD-AZ101J-	R CARBON FILM	1/6 100 OHM J	
863	R712	RD-AZ471J-	R CARBON FILM	1/6 470 OHM J	
864	R713	85801065GY	WIRE COPPER	AWG22 1/0.65 TIN COATING	
865	R714	85801065GY	WIRE COPPER	AWG22 1/0.65 TIN COATING	
866	R715	RD-AZ102J-	R CARBON FILM	1/6 1K OHM J	
867	R717	RD-AZ103J-	R CARBON FILM	1/6 10K OHM J	
868	R722	RD-AZ512J-	R CARBON FILM	1/6 5.1K OHM J	
869	R739	85801065GY	WIRE COPPER	AWG22 1/0.65 TIN COATING	
870	R755	RD-AZ512J-	R CARBON FILM	1/6 5.1K OHM J	
871	R769	RD-AZ471J-	R CARBON FILM	1/6 470 OHM J	
872	R770	RD-4Z101J-	R CARBON FILM	1/4 100 OHM J	
873	R776	RD-AZ562J-	R CARBON FILM	1/6 5.6K OHM J	
874	R777	RD-AZ562J-	R CARBON FILM	1/6 5.6K OHM J	
875	R790	RD-AZ472J-	R CARBON FILM	1/6 4.7K OHM J	
876	R804	RD-2Z330J-	R CARBON FILM	1/2 33 OHM J	
877	R805	RD-2Z272J-	R CARBON FILM	1/2 2.7K OHM J	
878	R806	RD-AZ472J-	R CARBON FILM	1/6 4.7K OHM J	
879	R807	RC-2Z565KP	R CARBON COMP	1/2 5.6M OHM K	
880	R808	RD-4Z681J-	R CARBON FILM	1/4 680 OHM J	
881	R809	RD-4Z102J-	R CARBON FILM	1/4 1K OHM J	
882	R811	RD-4Z623J-	R CARBON FILM	1/4 62K OHM J	
883	R812	RD-AZ223J-	R CARBON FILM	1/6 22K OHM J	
884	R813	RD-AZ363J-	R CARBON FILM	1/6 36K OHM J	
885	R815	85801065GY	WIRE COPPER	AWG22 1/0.65 TIN COATING	
886	R819	RD-AZ682J-	R CARBON FILM	1/6 6.8K OHM J	
887	R821	RD-2Z105J-	R CARBON FILM	1/2 1M OHM J	
888	R827	RD-AZ473J-	R CARBON FILM	1/6 47K OHM J	
889	R829	RD-4Z622J-	R CARBON FILM	1/4 6.2K OHM J	
890	R830	RD-AZ472J-	R CARBON FILM	1/6 4.7K OHM J	
891	R832	RD-4Z203J-	R CARBON FILM	1/4 20K OHM J	
892	R833	RD-AZ103J-	R CARBON FILM	1/6 10K OHM J	
893	R834	RD-4Z109J-	R CARBON FILM	1/4 1 OHM J	
894	R888	85801065GY	WIRE COPPER	AWG22 1/0.65 TIN COATING	
895	R904	RD-AZ181J-	R CARBON FILM	1/6 180 OHM J	

ELECTRICAL PARTS LIST

NO	LOC	PARTS CODE	PARTS NAME	PARTS DESCRIPTION	REMARK
896	R905	RD-AZ181J-	R CARBON FILM	1/6 180 OHM J	
897	R906	RD-AZ181J-	R CARBON FILM	1/6 180 OHM J	
898	R913	RD-AZ561J-	R CARBON FILM	1/6 560 OHM J	
899	R914	RD-AZ472J-	R CARBON FILM	1/6 4.7K OHM J	
900	R917	RD-4Z684J-	R CARBON FILM	1/4 680K OHM J	
901	R918	RD-2Z202J-	R CARBON FILM	1/2 2K OHM J	
902	R919	RD-2Z202J-	R CARBON FILM	1/2 2K OHM J	
903	R920	RD-2Z202J-	R CARBON FILM	1/2 2K OHM J	
904	RS208	RD-2Z151J-	R CARBON FILM	1/2 150 OHM J	
905	RS209	RD-AZ680J-	R CARBON FILM	1/6 68 OHM J	
906	RS210	RD-AZ101J-	R CARBON FILM	1/6 100 OHM J	
907	RS605	RD-AZ102J-	R CARBON FILM	1/6 1K OHM J	
908	RS607	RD-AZ202J-	R CARBON FILM	1/6 2K OHM J	
909	RS704	RD-AZ472J-	R CARBON FILM	1/6 4.7K OHM J	
910	RS718	RD-AZ102J-	R CARBON FILM	1/6 1K OHM J	
911	RS719	RD-AZ102J-	R CARBON FILM	1/6 1K OHM J	
912	RS781	RD-AZ102J-	R CARBON FILM	1/6 1K OHM J	
913	RS783	RD-AZ102J-	R CARBON FILM	1/6 1K OHM J	
914	RS784	RD-AZ472J-	R CARBON FILM	1/6 4.7K OHM J	
915	RT508	RD-AZ102J-	R CARBON FILM	1/6 1K OHM J	

DIFERENT PARTS LIST

(DTQ-29M5SSN VS DTQ-29M2FS)

NO	LOC	PARTS CODE	PARTS NAME	PARTS DESCRIPTION	DTQ-29M5SSN	DTQ-29M2FS
1	0000A	4857027602	HEAT SINK	AL EX	PTP2SW7602	
2	0000A	4857027603	HEAT SINK	AL EX		PTA2SW7603
3	0000B	7174300811	SCREW TAPPTITE	TT2 RND 3X8 MFZN	PTC2SW8202	PTC2SW8202
4	0000B	7174301011	SCREW TAPPTITE	TT2 RND 3X10 MFZN	PTH2SW8210	PTH2SW8210
5	00060	48586012K1	MANUAL INSTRUCTION	KOREAN	PTACPWK004	
6	10	2193102005	SOLDER BAR	SN:PB=63:47 S63S-1320	PTJASWK004	PTJASWJ811
7	10	2TM14006LB	TAPE MASKING	3M #232 6.0X2000M	PTMPJAK004	PTMPJAJ829
8	20	2TM10006LB	TAPE MASKING	3M #232-MAP-C 6.2X2000M	PTMPJAK004	PTMPJAJ829
9	A001	4859816691	PCB MAIN	330X246 S1B	PTMPJAK004	
10	A001	4859812991	PCB MAIN	330X246 S1B		PTMPJAJ829
11	A001	4859806060	PCB UNION	246X35(246X246/6) S1B		PTUNJAJ811
12	C425	CEXF2A470V	C ELECTRO	100V RSS 47MF (10X16) TP		PTMPJ0J829
13	C701	CEXF1H470V	C ELECTRO	50V RSS 47MF (6.3X11) TP	PTMPJRK004	
14	C701	CBZF1H104Z	C CERA SEMI	50V F 0.1MF Z		PTUNJAJ811
15	C702	CEXF1E101V	C ELECTRO	25V RSS 100MF (6.3X11) TP		PTMPJRK004
16	C813	CEYF2C221V	C ELECTRO	160V RSS 220MF (18X35.5)	PTMPMSK004	
17	C813	CEYN2D221T	C ELECTRO	200V FWS 220MF (22X30)		PTMPMSJ829
18	C816	CEXF2A470V	C ELECTRO	100V RSS 47MF (10X16) TP	PTMPJ0K004	
19	C816	CEXF2C470V	C ELECTRO	160V RSS 47MF (13X25) TP		PTMPJ0J829
20	C821	CEYF1E222V	C ELECTRO	25V RSS 2200MF (16X25)	PTMPMSK004	
21	C821	CEYF1E332V	C ELECTRO	25V RSS 3300MF (16X31.5)		PTMPMSJ829
22	C831	CEYF1E332V	C ELECTRO	25V RSS 3300MF (16X31.5)	PTMPMSK004	
23	C831	CEYF1V332V	C ELECTRO	35V RSS 3300MF (18X35.5)		PTMPMSJ829
24	C908	4SG0DX0001	SPARK GAP	SSG-102-A1(1.0KV) TAP		PTMPJRK004
25	C909	4SG0DX0001	SPARK GAP	SSG-102-A1(1.0KV) TAP		PTMPJRK004
26	C910	4SG0DX0001	SPARK GAP	SSG-102-A1(1.0KV) TAP		PTMPJRK004
27	CC716	HCBK103KCA	C CHIP CERA	50V X7R 0.01MF K 2012	PTMPJ2K004	
28	CC716	CCZF1H103Z	C CERA	50V F 0.01MF Z		PTUNJAJ811
29	CF01	CCZF1H103Z	C CERA	50V F 0.01MF Z		PTUNJAJ811
30	D408	D1N4937G—	DIODE	1N4937G (TAPPING)	PTMPJAK004	
31	D408	DRH1B—	DIODE	RH1B		PTMPJAJ829
32	D723	DMTZJ5R6B-	DIODE ZENER	MTZJ 5.6B		PTMPJAJ829
33	D810	DRGP30J—	DIODE	RGP30J	PTMPMSK004	
34	D810	DBYT56K—	DIODE	BYT56K		PTMPMSJ829
35	D811	DRGP30J—	DIODE	RGP30J	PTMPMSK004	
36	D811	DBYT56K—	DIODE	BYT56K		PTMPMSJ829
37	DF01	DKLR114L—	LED	KLR114L		PTUNSWJ811
38	DF01	DLH2PR—	LED BLOCK	LH-2P-R	PTMPMSK004	
39	E088	4856310600	EYE LET	BSR T0.2 (R2.3)	PTMPJBK004	
40	E089	4856310600	EYE LET	BSR T0.2 (R2.3)	PTMPJBK004	
41	E115	4856310600	EYE LET	BSR T0.2 (R2.3)		PTMPJB829
42	E116	4856310600	EYE LET	BSR T0.2 (R2.3)		PTMPJB829
43	E117	4856310300	EYE LET	BSR T0.2 (R1.6)	PTMPJBK004	
44	E118	4856310300	EYE LET	BSR T0.2 (R1.6)	PTMPJBK004	
45	E119	4856310300	EYE LET	BSR T0.2 (R1.6)	PTMPJBK004	
46	E120	4856310300	EYE LET	BSR T0.2 (R1.6)	PTMPJBK004	
47	E121	4856310300	EYE LET	BSR T0.2 (R1.6)	PTMPJBK004	
48	E122	4856310300	EYE LET	BSR T0.2 (R1.6)	PTMPJBK004	

DIFERENT PARTS LIST

NO	LOC	PARTS CODE	PARTS NAME	PARTS DESCRIPTION	DTQ-29M5SSN	DTQ-29M2FS
49	E123	4856310300	EYE LET	BSR T0.2 (R1.6)	PTMPJBK004	
50	E124	4856310300	EYE LET	BSR T0.2 (R1.6)	PTMPJBK004	
51	E160	4856310600	EYE LET	BSR T0.2 (R2.3)		PTMPJBJ829
52	IF01	1KRT30	IC PREAMP	KRT30	PTMPMSK004	
53	IF01	1KSM9HP	IC PREAMP	KSM-9HP		PTUNSWJ811
54	IF02	1PNA4603H	IC PHOTO SENSOR	PNA4603H		PTUNSWJ811
55	J004	85801065GY	WIRE COPPER	AWG22 1/0.65 TIN COATING		PTMPJAJ829
56	J092	85801065GY	WIRE COPPER	AWG22 1/0.65 TIN COATING		PTMPJAJ829
57	J096	85801065GY	WIRE COPPER	AWG22 1/0.65 TIN COATING		PTMPJAJ829
58	J193	85801065GY	WIRE COPPER	AWG22 1/0.65 TIN COATING	PTMPJAK004	
59	J194	85801065GY	WIRE COPPER	AWG22 1/0.65 TIN COATING	PTMPJAK004	
60	J195	85801065GY	WIRE COPPER	AWG22 1/0.65 TIN COATING	PTMPJAK004	
61	L604	58C0000096	COIL CHOKE	610G0233(470K)		PTMPJRJ829
62	L607	58C0000096	COIL CHOKE	610G0233(470K)		PTMPJRJ829
63	M111	4851114003	PANEL AV ASSY	2326802+5934301	PTJASWK004	
64	M111A	7178301011	SCREW TAPPTITE	TT2 WAS 3X10 MFZN	PTJASWK004	
65	M112	4851114001	PANEL AV ASSY	2326801+5934300		PTJASWJ811
66	M112A	7178301011	SCREW TAPPTITE	TT2 WAS 3X10 MFZN		PTJASWJ811
67	M191	4851945700	BUTTON CTRL	4951401+5545800	PTPCSWJ912	
68	M191	4851942400	BUTTON CTRL	4946801+5540901		PTUNSWJ811
69	M191A	7178301011	SCREW TAPPTITE	TT2 WAS 3X10 MFZN	PTPCSWJ912	PTCACAJ829
70	M201	4852079701	MASK FRONT	HIPS GY	PTFMSJJ999	
71	M201	4852075201	MASK FRONT	HIPS GY		PTFMSJJ829
72	M201B	4856215404	WASHER RUBBER	CR T4.0		PTCACAJ829
73	M201B	4856215402	WASHER RUBBER	CR T2.0	PTCACA004	
74	M201C	4856013610	SCREW SPKR FIX	L=16 A=17		PTCACAJ829
75	M201D	4856816300	CLAMP WIRE	NYLON 6 (V0)		PTCACAJ829
76	M211	4852161111	COVER BACK	HIPS BK	PTBCSHK004	
77	M211	4852157101	COVER BACK	HIPS BK		PTBCSHJ829
78	M211A	7172401612	SCREW TAPPTITE	TT2 TRS 4X16 MFZN BK	PTCACA004	PTCACAJ829
79	M211C	7172401612	SCREW TAPPTITE	TT2 TRS 4X16 MFZN BK		PTCACAJ829
80	M231	4852328201	PANEL DECO	ABS GY	PTPCSWJ912	
81	M231A	7178301212	SCREW TAPPTITE	TT2 WAS 3X12 MFZN BK	PTFMSJJ999	
82	M231A	7172401612	SCREW TAPPTITE	TT2 TRS 4X16 MFZN BK	PTCACA004	
83	M251A	4852541301	GRILL R	PS T0.45		PTFMSJJ829
84	M251B	4852541401	GRILL L	PS T0.45		PTFMSJJ829
85	M351	4853534301	HOLDER ANT	HIPS BK	PTACPWK004	
86	M481	4854857401	BUTTON POWER A	ABS GY		PTFMSJJ829
87	M481	4854861401	BUTTON POWER	ABS GY	PTPCSWJ912	
88	M481A	4856715600	SPRING	SWPA PIE 0.4		PTFMSJJ829
89	M481A	4856716000	SPRING	SWPA PIE0.5	PTPCSWJ912	
90	M591	4855934202	DECO PLATE	ABS GY		PTCACAJ829
91	M591	4855933401	DECO EYE	ABS BLUE	PTPCSWJ912	
92	M591	4855934900	DECO TERM	PVC T0.3	PTCACA004	
93	M591A	7178301011	SCREW TAPPTITE	TT2 WAS 3X10 MFZN	PTPCSWJ912	
94	M591A	7172401612	SCREW TAPPTITE	TT2 TRS 4X16 MFZN BK		PTCACAJ829
95	M592	4855934601	DECO EYE	ABS BLUE		PTFMSJJ829
96	M592A	7178301212	SCREW TAPPTITE	TT2 WAS 3X12 MFZN BK		PTFMSJJ829
97	M593	4855934100	DECO AV	PVC CL T0.2		PTCACAJ829

DIFERENT PARTS LIST

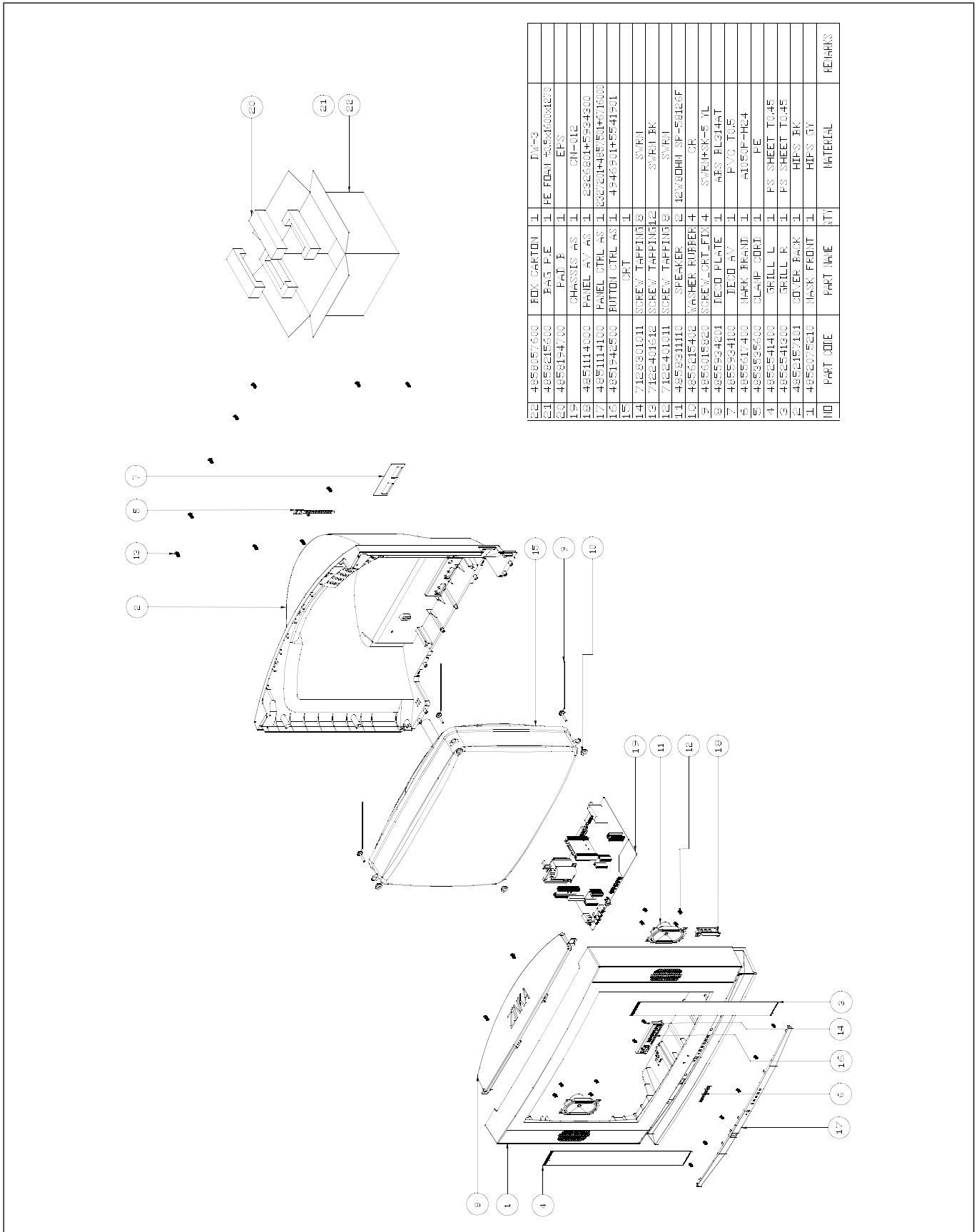
NO	LOC	PARTS CODE	PARTS NAME	PARTS DESCRIPTION	DTQ-29M5SSN	DTQ-29M2FS
98	M681	4856812001	TIE CABLE	NYLON66 DA100		PTCACA829
99	M681	4856816300	CLAMP WIRE	NYLON 6 (V0)	PTCACA004	
100	M781	4857818702	CLOTH BLACK	FELT T0.7 L=350 W=15		PTFMSJJ829
101	M781	4857817630	CLOTH BLACK	FELT 400X20X0.7	PTBCSHK004	PTBCSHJ829
102	M781	4857821102	CLOTH BLACK	FELT 340X10X1.5	PTFMSJJ999	
103	M782	4857817612	CLOTH BLACK	FELT 250X20X0.7		PTBCSHJ829
104	M782	4857821102	CLOTH BLACK	FELT 340X10X1.5		PTFMSJJ829
105	M811	4858194700	PAD B	EPS		PTPKCPJ811
106	M811	4858199100	PAD	EPS 29M5	PTPKCPJ999	
107	M821	4858213800	BAG INSTRUCTION	L.D.PE T0.05X250X400		PTACPWJ829
108	M821	4858213801	BAG INSTRUCTION	L.D.PE T0.05X250X400	PTACPWK004	
109	M901	2224050027	BOND SILICON	TSK-5370	PTCACA004	
110	P103	485923162S	CONN WAFER	YW025-03 (STICK)		PTMPJBJ829
111	P103A	4850703S19	CONNECTOR	YH025-03+YBNH250+ULW=300		PTUNSWJ811
112	P701	485923182S	CONN WAFER	YW025-05 (STICK)		PTMPJBJ829
113	P701A	4850705S02	CONNECTOR	YH025-05+YBNH250+ULW=200		PTUNSWJ811
114	Q402	PTP2SW7602	HEAT SINK ASS'Y	T2SD2578— + 7174301011	PTMPMSK004	
115	Q402	PTA2SW7603	HEAT SINK ASS'Y	T2SD2578— + 7174301011		PTMPMSJ829
116	Q407	TKTC3207—	TR	KTC3207 (TP)		PTMPJRJ829
117	R427	RD-AZ223J-	R CARBON FILM	1/6 22K OHM J		PTMPJAJ829
118	R428	RD-4Z271J-	R CARBON FILM	1/4 270 OHM J		PTMPJAJ829
119	R429	RD-4Z102J-	R CARBON FILM	1/4 1K OHM J		PTMPJAJ829
120	R707	RD-AZ103J-	R CARBON FILM	1/6 10K OHM J		PTMPJAJ829
121	R713	RD-AZ102J-	R CARBON FILM	1/6 1K OHM J		PTMPJAJ829
122	R713	85801065GY	WIRE COPPER	AWG22 1/0.65 TIN COATING	PTMPJAK004	
123	R790	RD-AZ472J-	R CARBON FILM	1/6 4.7K OHM J	PTMPJAK004	
124	RC730	HRFT101JCA	R CHIP	1/10 100 OHM J 2012		PTMPJ2J829
125	RC742	HRFT222JCA	R CHIP	1/10 2.2K OHM J 2012	PTMPJ2K004	
126	RC742	RD-AZ222J-	R CARBON FILM	1/6 2.2K OHM J		PTUNJAJ811
127	RC746	HRFT152JCA	R CHIP	1/10 1.5K OHM J 2012	PTMPJ2K004	
128	RC746	RD-AZ152J-	R CARBON FILM	1/6 1.5K OHM J		PTUNJAJ811
129	RC747	RD-AZ392J-	R CARBON FILM	1/6 3.9K OHM J		PTUNJAJ811
130	RC750	HRFT102JCA	R CHIP	1/10 1K OHM J 2012	PTMPJ2K004	
131	RC750	RD-AZ102J-	R CARBON FILM	1/6 1K OHM J		PTUNJAJ811
132	RC751	HRFT102JCA	R CHIP	1/10 1K OHM J 2012	PTMPJ2K004	
133	RC751	RD-AZ102J-	R CARBON FILM	1/6 1K OHM J		PTUNJAJ811
134	RC752	HRFT103JCA	R CHIP	1/10 10K OHM J 2012	PTMPJ2K004	
135	RC753	HRFT000JCA	R CHIP	1/10 0 OHM J 2012	PTMPJ2K004	
136	RC777	HRFT103JCA	R CHIP	1/10 10K OHM J 2012	PTMPJ2K004	
137	RC790	HRFT472JCA	R CHIP	1/10 4.7K OHM J 2012		PTMPJ2J829
138	RCS08	HRFT202JCA	R CHIP	1/10 2K OHM J 2012	PTMPJ2K004	
139	RCS08	HRFT182JCA	R CHIP	1/10 1.8K OHM J 2012		PTMPJ2J829
140	RF01	85801065GY	WIRE COPPER	AWG22 1/0.65 TIN COATING		PTUNJAJ811
141	RS607	RD-AZ202J-	R CARBON FILM	1/6 2K OHM J	PTMPJAK004	
142	RS607	RD-AZ182J-	R CARBON FILM	1/6 1.8K OHM J		PTMPJAJ829
143	SW701	5S50101035	SW TACT	KPT-1112 1C-1P		PTMPMSJ829
144	SW702	5S50101Z90	SW TACT	THVV502GDA		PTUNJRJ811
145	SW702	5S50101090	SW TACT	THVH472GCA	PTMPJRK004	
146	SW703	5S50101Z90	SW TACT	THVV502GDA		PTUNJRJ811

DIFERENT PARTS LIST

NO	LOC	PARTS CODE	PARTS NAME	PARTS DESCRIPTION	DTQ-29M5SSN	DTQ-29M2FS
147	SW703	5S50101090	SW TACT	THVH472GCA	PTMPJRK004	
148	SW704	5S50101Z90	SW TACT	THVV502GDA		PTUNJRJ811
149	SW704	5S50101090	SW TACT	THVH472GCA	PTMPJRK004	
150	SW705	5S50101Z90	SW TACT	THVV502GDA		PTUNJRJ811
151	SW705	5S50101090	SW TACT	THVH472GCA	PTMPJRK004	
152	SW706	5S50101Z90	SW TACT	THVV502GDA		PTUNJRJ811
153	SW706	5S50101090	SW TACT	THVH472GCA	PTMPJRK004	
154	SW707	5S40101143	SW POWER PUSH	PS3-22SP (P.C.B)	PTMPMSK004	
155	SW708	5S50101090	SW TACT	THVH472GCA	PTMPJRK004	
156	Z802	DSVC471D14	VARISTOR	SVC471D14A	PTMPMSK004	
157	ZZ100	48B4343A05	TRANSMITTER REMOCON	R-43A05 (AA)		DTQ-29M2FS
158	ZZ100	48B4343A07	TRANSMITTER REMOCON	R-43A07 (AA)	DTQ-29M5SSN	
159	ZZ110	PTACPWK004	ACCESSORY AS	DTQ-29M5SSN	DTQ-29M5SSN	
160	ZZ110	PTACPWJ829	ACCESSORY AS	DTQ-29M2FS		DTQ-29M2FS
161	ZZ120	PTBCSHK004	COVER BACK AS	DTQ-29M5SSN	DTQ-29M5SSN	
162	ZZ120	PTBCSHJ829	COVER BACK AS	DTQ-29M2FS		DTQ-29M2FS
163	ZZ130	PTPKCPJ999	PACKING AS	DTQ-29M4A	DTQ-29M5SSN	
164	ZZ130	PTPKCPJ811	PACKING AS	DTQ-29M2		DTQ-29M2FS
165	ZZ140	PTCACAK004	CABINET AS	DTQ-29M5SSN	DTQ-29M5SSN	
166	ZZ140	PTCACAJ829	CABINET AS	DTQ-29M2FS		DTQ-29M2FS
167	ZZ200	PTFMSJ999	MASK FRONT AS	DTQ-29M4A	PTCACAK004	
168	ZZ200	PTJAJAK004	PCB JACK AXIAL AS	DTQ-29M5SSN	PTJASWK004	
169	ZZ200	PTMPJBK004	PCB MAIN M-10 AS	DTQ-29M5SSN	PTMPJ0K004	
170	ZZ200	PTMPJ0K004	PCB MAIN (RHU) AS	DTQ-29M5SSN	PTMPJ2K004	
171	ZZ200	PTMPJRK004	PCB MAIN RADIAL AS	DTQ-29M5SSN	PTMPJBK004	
172	ZZ200	PTMPJAK004	PCB MAIN AXIAL AS	DTQ-29M5SSN	PTMPJRK004	
173	ZZ200	PTMPJ2K004	PCB CHIP MOUNT B AS	DTQ-29M5SSN	PTMPMSK004	
174	ZZ200	PTJAJAJ811	PCB JACK AXIAL AS	DTQ-29M2		PTJASWJ811
175	ZZ200	PTUNJAJ811	PCB UNION AXIAL AS	DTQ-29M2		PTUNJRJ811
176	ZZ200	PTUNJB811	PCB UNION M-10 AS	DTQ-29M2		PTUNSWJ811
177	ZZ200	PTUNJRJ811	PCB UNION RADIAL AS	DTQ-29M2		PTUNJB811
178	ZZ200	PTFMSJ829	MASK FRONT AS	DTQ-29M2FS		PTCACAJ829
179	ZZ200	PTMPJ0J829	PCB MAIN (RHU) AS	DTQ-29M2FS		PTMPJ2J829
180	ZZ200	PTMPJ2J829	PCB CHIP MOUNT B AS	DTQ-29M2FS		PTMPMSJ829
181	ZZ200	PTMPJAJ829	PCB MAIN AXIAL AS	DTQ-29M2FS		PTMPJRJ829
182	ZZ200	PTMPJB829	PCB MAIN M-10 AS	DTQ-29M2FS		PTMPJ0J829
183	ZZ200	PTMPJRJ829	PCB MAIN RADIAL AS	DTQ-29M2FS		PTMPJB829
184	ZZ202	PTSPPWJ829	SPEAKER AS	DTQ-29M2FS		PTCACAJ829
185	ZZ204	PTJASWK004	PCB JACK AS	DTQ-29M5SSN	PTCACAK004	
186	ZZ204	PTJASWJ811	PCB JACK AS	DTQ-29M2		PTCACAJ829
187	ZZ205	PTPCSWJ912	PANEL CONTROL AS	DTQ-29M5	PTCACAK004	
188	ZZ210	PTSPPWK004	SPEAKER AS	DTQ-29M5SSN	PTCACAK004	
189	ZZ210	PTUNSWJ811	PCB UNION AS	DTQ-29M2		PTCACAJ829
190	ZZ290	PTMPMSJ829	PCB MAIN MANUAL AS	DTQ-29M2FS		PTCACAJ829
191	ZZ290	PTMPMSK004	PCB MAIN MANUAL AS	DTQ-29M5SSN	PTCACAK004	

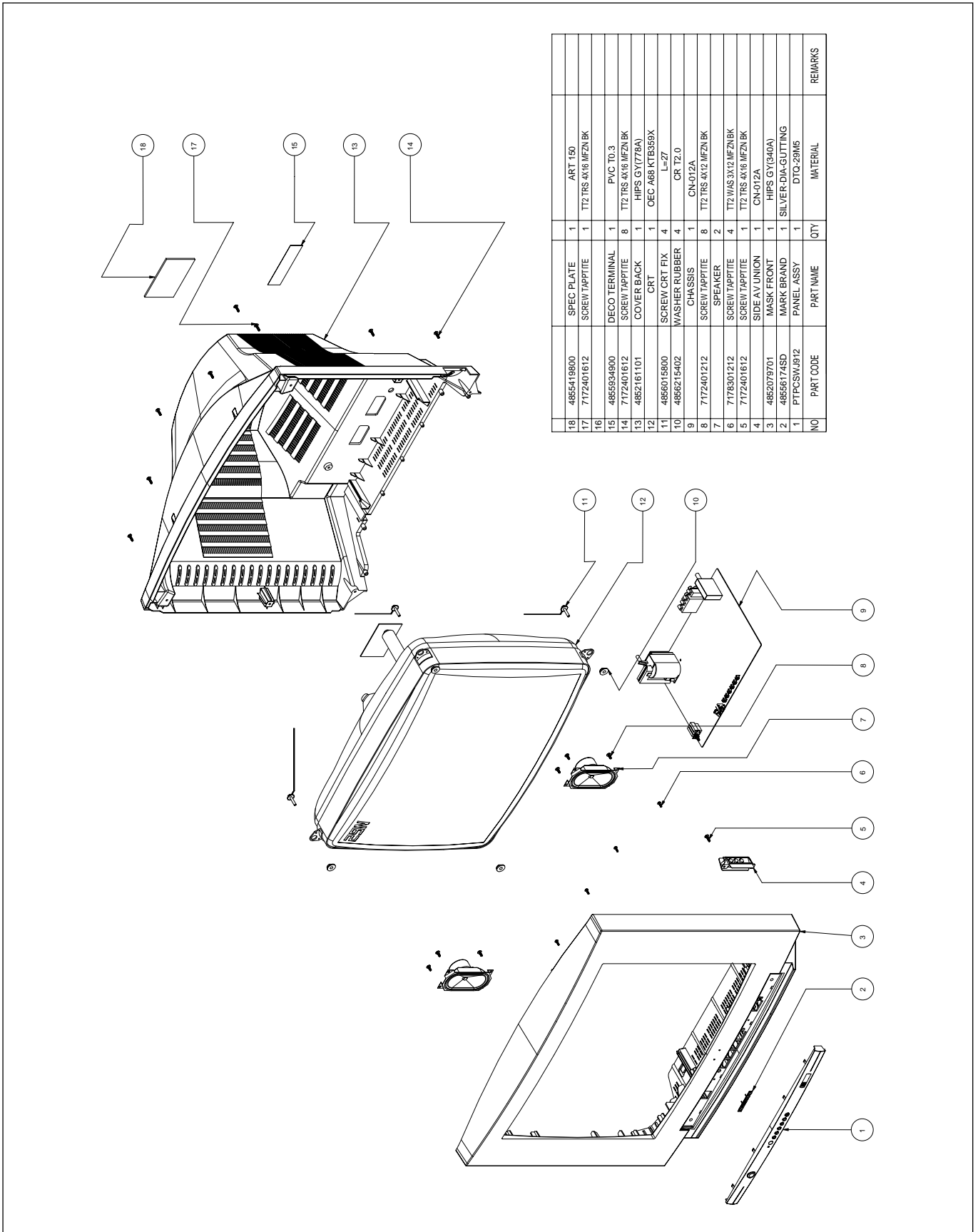
EXPLODED VIEW

1. DTQ-29M2FS



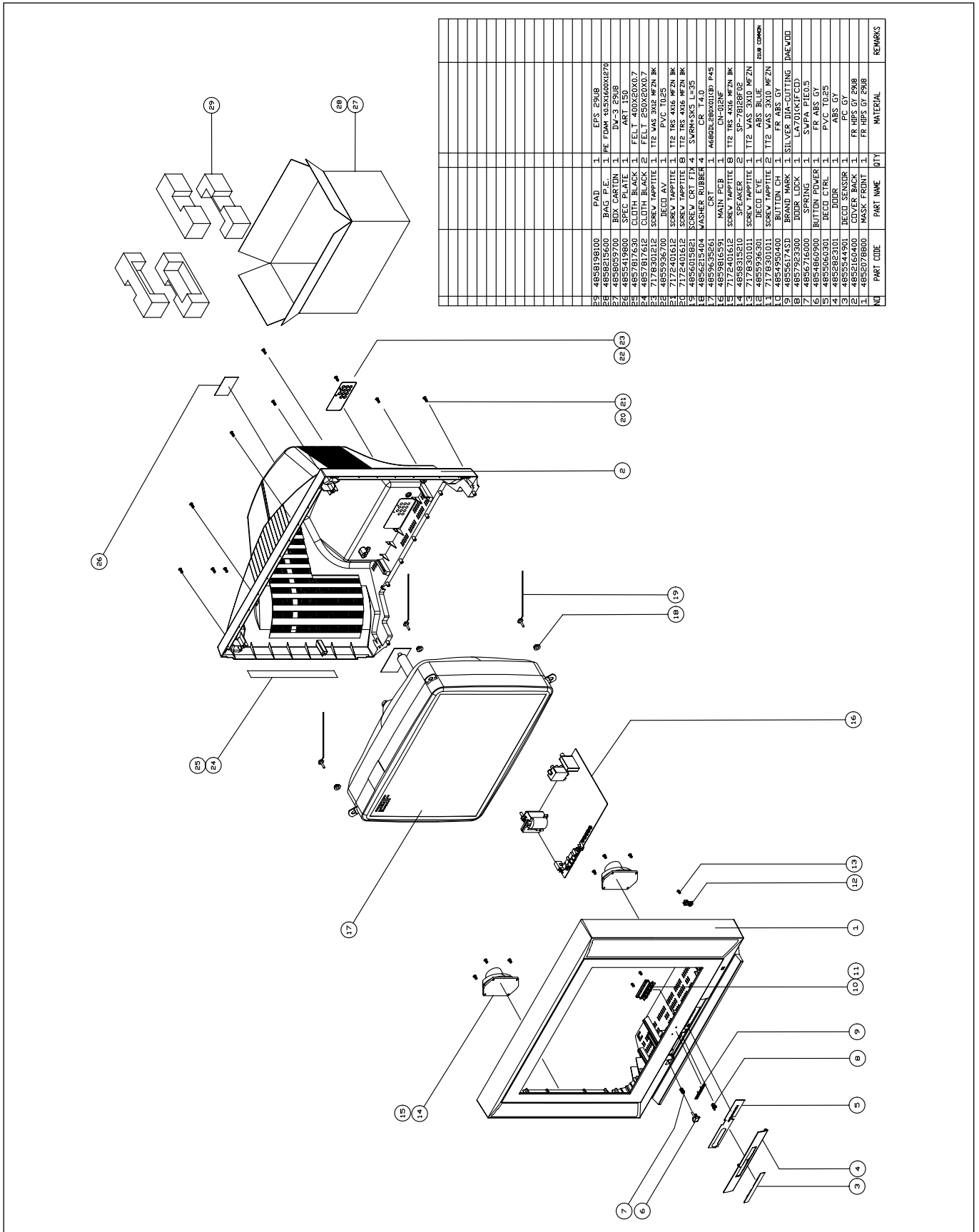
EXPLODED VIEW

2. DTQ-29M5SSN



NO	PART CODE	PART NAME	QTY	MATERIAL	REMARKS
18	485419800	SPEC PLATE	1	ART 150	
17	7172401612	SCREW TAPPTIE	1	TT2 TRS 4X16 MFZN BK	
16	485534900	DECO TERMINAL	1	PVC T.O.3	
15	7172401612	SCREW TAPPTIE	8	TT2 TRS 4X16 MFZN BK	
14	4852161101	COVER BACK	1	HPS GY(778A)	
13	4856015800	CRT	1	OEC A68 KTB359X L=27	
12	4856215402	WASHER RUBBER	4	CR T2.0	
11	7172401212	SCREW TAPPTIE	1	CN-012A	
10	4852079701	SPEAKER	2	TT2 TRS 4X12 MFZN BK	
9	7178301212	SCREW TAPPTIE	4	TT2 WAS 3X12 MFZN BK	
8	7172401612	SCREW TAPPTIE	1	TT2 TRS 4X16 MFZN BK	
7	4852079701	SIDE A.V UNION	1	CN-012A	
6	48561745D	MARK BRAND	1	HPS GY(340A)	
5	PTPCSWJ812	PANEL ASSY	1	SILVER-DIA-GUTTING DTQ-29M5	
4		PART NAME		MATERIAL	
3		QTY			
2		REMARKS			

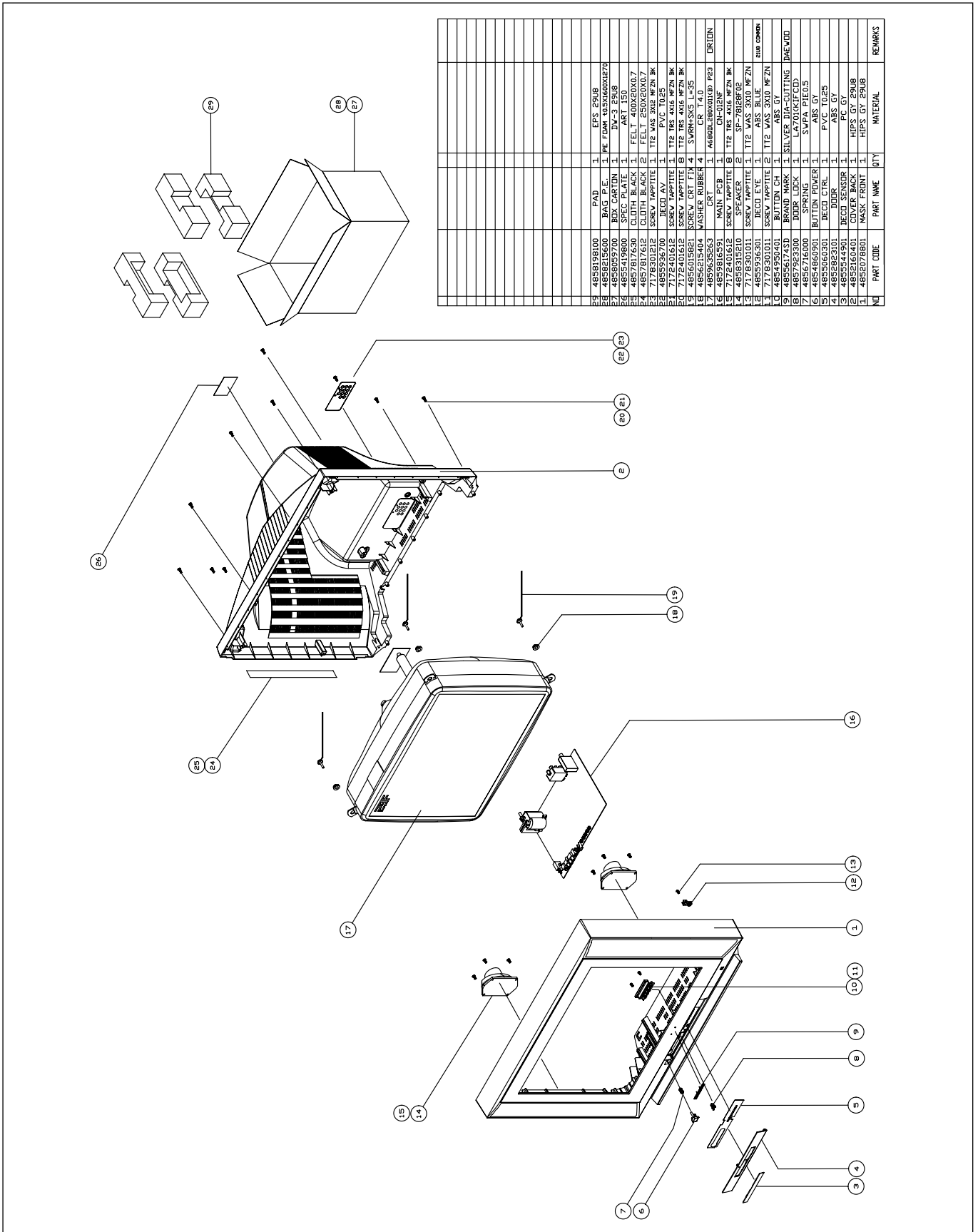
3. DTQ-27U8SCN



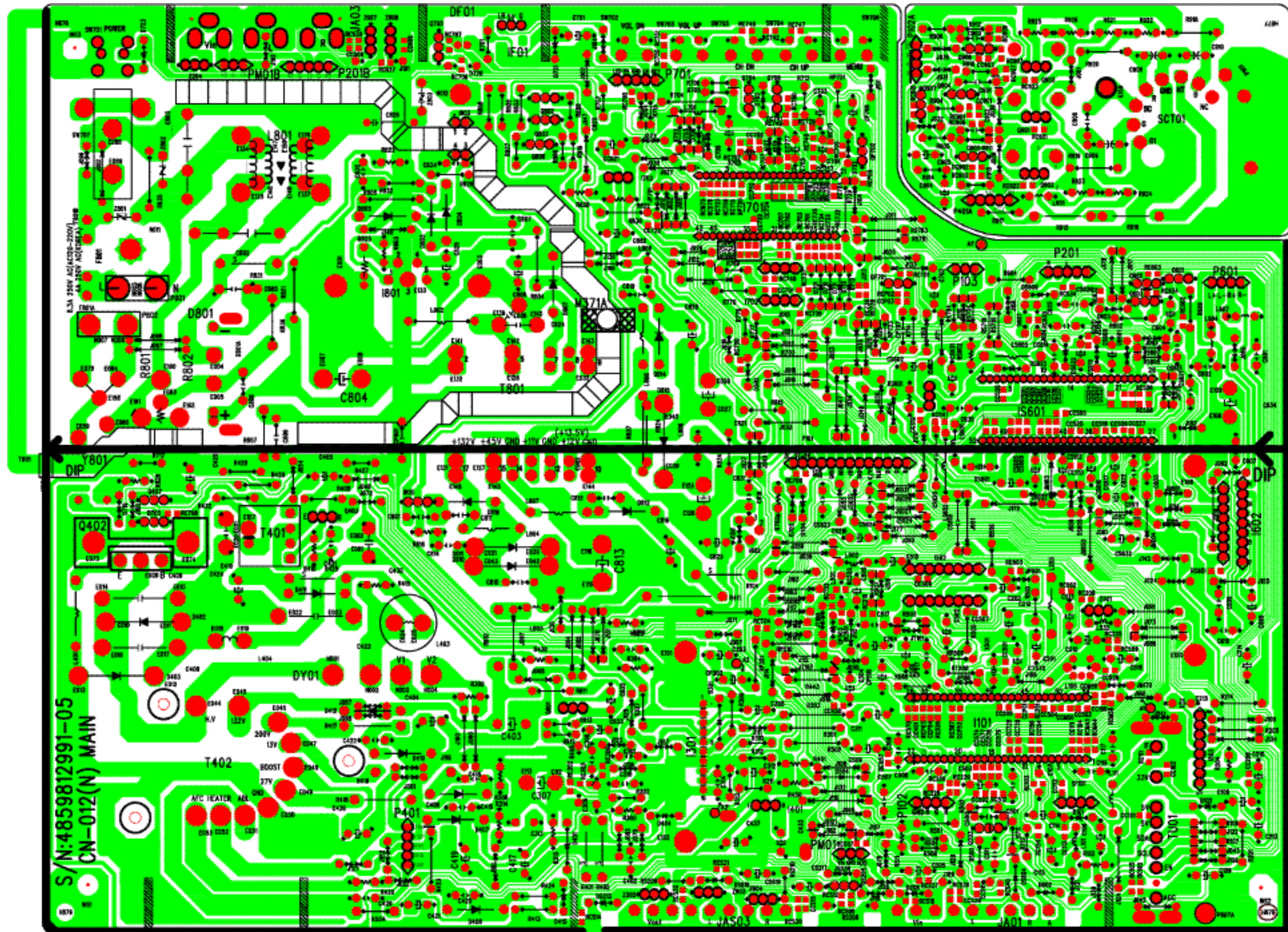
NO	PART CODE	PART NAME	QTY	MATERIAL	REMARKS
1	4858198100	PAD	1	EPS EPSUB	
2	4858215600	BAG P.E.	1	PE FDM 003X600X1270	
3	4858215700	CRN	1	ABS BK	
4	4858176300	SPC PLATE	1	ABS BK	
5	4858176300	SPC PLATE	1	ABS BK	
6	4857817630	CLOTH BLACK	1	FELT 400X20X0.7	
7	4857817612	CLOTH BLACK	2	FELT 250X20X0.7	
8	7178301212	SCREW TAPPTITE	1	TT2 WAS 3H2 MFZN BK	
9	485936700	DECO AV	1	PVC TO25	
10	7178401612	SCREW TAPPTITE	1	TT2 IRS ANIS MFZN BK	
11	7178401612	SCREW TAPPTITE	1	TT2 IRS ANIS MFZN BK	
12	4856015821	SCREW CRT FIX	4	SMRN-SKS L=55	
13	4856215404	WASHER RUBBER	4	CR T4.0	
14	4859632651	CRT	1	A680DL880X101KB P45	
15	4859816591	MAIN PCB	1	CH-BLENF	
16	7178401612	SCREW TAPPTITE	3	TT2 IRS ANIS MFZN BK	
17	7178301011	SCREW TAPPTITE	1	TT2 WAS 3X10 MFZN	
18	4859363301	DECO EYE	1	TT2 ABS BLUE	SHW COMMON
19	7178301011	SCREW TAPPTITE	2	TT2 WAS 3X10 MFZN	
20	485950400	BUTTON CH	1	FR ABS GY	
21	485561743D	BRAND MARK	1	SILVER DIA-CUTTING	DHEWDD
22	4856215404	WASHER RUBBER	1	SMRN-SKS L=55	
23	4856215404	WASHER RUBBER	1	SMRN-SKS L=55	
24	4856215404	WASHER RUBBER	1	SMRN-SKS L=55	
25	4856215404	WASHER RUBBER	1	SMRN-SKS L=55	
26	4856215404	WASHER RUBBER	1	SMRN-SKS L=55	
27	4856215404	WASHER RUBBER	1	SMRN-SKS L=55	
28	4856215404	WASHER RUBBER	1	SMRN-SKS L=55	
29	4856215404	WASHER RUBBER	1	SMRN-SKS L=55	
30	4856215404	WASHER RUBBER	1	SMRN-SKS L=55	
31	4856215404	WASHER RUBBER	1	SMRN-SKS L=55	
32	4856215404	WASHER RUBBER	1	SMRN-SKS L=55	
33	4856215404	WASHER RUBBER	1	SMRN-SKS L=55	
34	4856215404	WASHER RUBBER	1	SMRN-SKS L=55	
35	4856215404	WASHER RUBBER	1	SMRN-SKS L=55	
36	4856215404	WASHER RUBBER	1	SMRN-SKS L=55	
37	4856215404	WASHER RUBBER	1	SMRN-SKS L=55	
38	4856215404	WASHER RUBBER	1	SMRN-SKS L=55	
39	4856215404	WASHER RUBBER	1	SMRN-SKS L=55	
40	4856215404	WASHER RUBBER	1	SMRN-SKS L=55	
41	4856215404	WASHER RUBBER	1	SMRN-SKS L=55	
42	4856215404	WASHER RUBBER	1	SMRN-SKS L=55	
43	4856215404	WASHER RUBBER	1	SMRN-SKS L=55	
44	4856215404	WASHER RUBBER	1	SMRN-SKS L=55	
45	4856215404	WASHER RUBBER	1	SMRN-SKS L=55	
46	4856215404	WASHER RUBBER	1	SMRN-SKS L=55	
47	4856215404	WASHER RUBBER	1	SMRN-SKS L=55	
48	4856215404	WASHER RUBBER	1	SMRN-SKS L=55	
49	4856215404	WASHER RUBBER	1	SMRN-SKS L=55	
50	4856215404	WASHER RUBBER	1	SMRN-SKS L=55	
51	4856215404	WASHER RUBBER	1	SMRN-SKS L=55	
52	4856215404	WASHER RUBBER	1	SMRN-SKS L=55	
53	4856215404	WASHER RUBBER	1	SMRN-SKS L=55	
54	4856215404	WASHER RUBBER	1	SMRN-SKS L=55	
55	4856215404	WASHER RUBBER	1	SMRN-SKS L=55	
56	4856215404	WASHER RUBBER	1	SMRN-SKS L=55	
57	4856215404	WASHER RUBBER	1	SMRN-SKS L=55	
58	4856215404	WASHER RUBBER	1	SMRN-SKS L=55	
59	4856215404	WASHER RUBBER	1	SMRN-SKS L=55	
60	4856215404	WASHER RUBBER	1	SMRN-SKS L=55	
61	4856215404	WASHER RUBBER	1	SMRN-SKS L=55	
62	4856215404	WASHER RUBBER	1	SMRN-SKS L=55	
63	4856215404	WASHER RUBBER	1	SMRN-SKS L=55	
64	4856215404	WASHER RUBBER	1	SMRN-SKS L=55	
65	4856215404	WASHER RUBBER	1	SMRN-SKS L=55	
66	4856215404	WASHER RUBBER	1	SMRN-SKS L=55	
67	4856215404	WASHER RUBBER	1	SMRN-SKS L=55	
68	4856215404	WASHER RUBBER	1	SMRN-SKS L=55	
69	4856215404	WASHER RUBBER	1	SMRN-SKS L=55	
70	4856215404	WASHER RUBBER	1	SMRN-SKS L=55	
71	4856215404	WASHER RUBBER	1	SMRN-SKS L=55	
72	4856215404	WASHER RUBBER	1	SMRN-SKS L=55	
73	4856215404	WASHER RUBBER	1	SMRN-SKS L=55	
74	4856215404	WASHER RUBBER	1	SMRN-SKS L=55	
75	4856215404	WASHER RUBBER	1	SMRN-SKS L=55	
76	4856215404	WASHER RUBBER	1	SMRN-SKS L=55	
77	4856215404	WASHER RUBBER	1	SMRN-SKS L=55	
78	4856215404	WASHER RUBBER	1	SMRN-SKS L=55	
79	4856215404	WASHER RUBBER	1	SMRN-SKS L=55	
80	4856215404	WASHER RUBBER	1	SMRN-SKS L=55	
81	4856215404	WASHER RUBBER	1	SMRN-SKS L=55	
82	4856215404	WASHER RUBBER	1	SMRN-SKS L=55	
83	4856215404	WASHER RUBBER	1	SMRN-SKS L=55	
84	4856215404	WASHER RUBBER	1	SMRN-SKS L=55	
85	4856215404	WASHER RUBBER	1	SMRN-SKS L=55	
86	4856215404	WASHER RUBBER	1	SMRN-SKS L=55	
87	4856215404	WASHER RUBBER	1	SMRN-SKS L=55	
88	4856215404	WASHER RUBBER	1	SMRN-SKS L=55	
89	4856215404	WASHER RUBBER	1	SMRN-SKS L=55	
90	4856215404	WASHER RUBBER	1	SMRN-SKS L=55	
91	4856215404	WASHER RUBBER	1	SMRN-SKS L=55	
92	4856215404	WASHER RUBBER	1	SMRN-SKS L=55	
93	4856215404	WASHER RUBBER	1	SMRN-SKS L=55	
94	4856215404	WASHER RUBBER	1	SMRN-SKS L=55	
95	4856215404	WASHER RUBBER	1	SMRN-SKS L=55	
96	4856215404	WASHER RUBBER	1	SMRN-SKS L=55	
97	4856215404	WASHER RUBBER	1	SMRN-SKS L=55	
98	4856215404	WASHER RUBBER	1	SMRN-SKS L=55	
99	4856215404	WASHER RUBBER	1	SMRN-SKS L=55	
100	4856215404	WASHER RUBBER	1	SMRN-SKS L=55	

EXPLODED VIEW

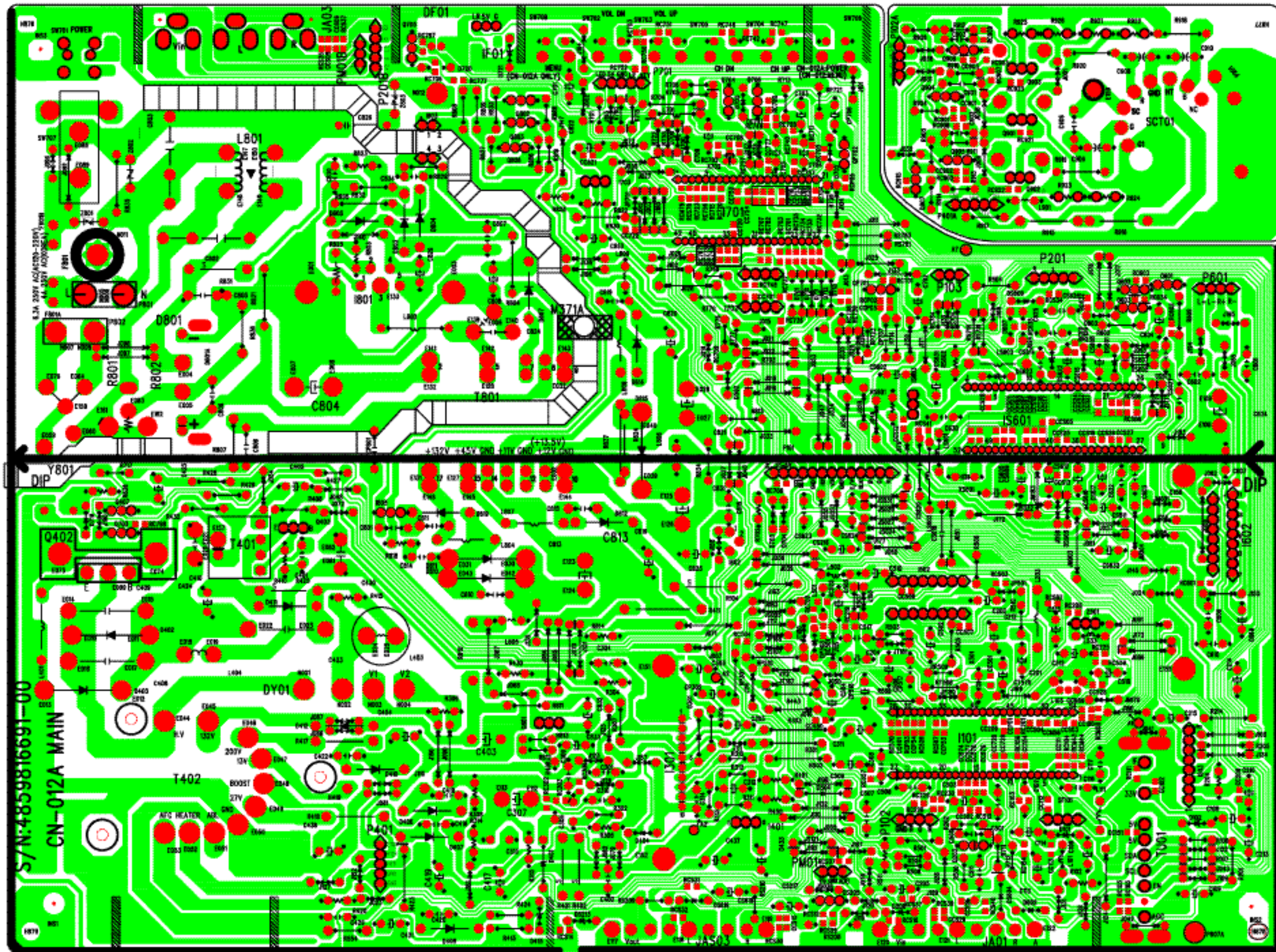
4. DTQ-29U8SSN



PRINTED CIRCUIT BOARD(DTQ-29M2FS)

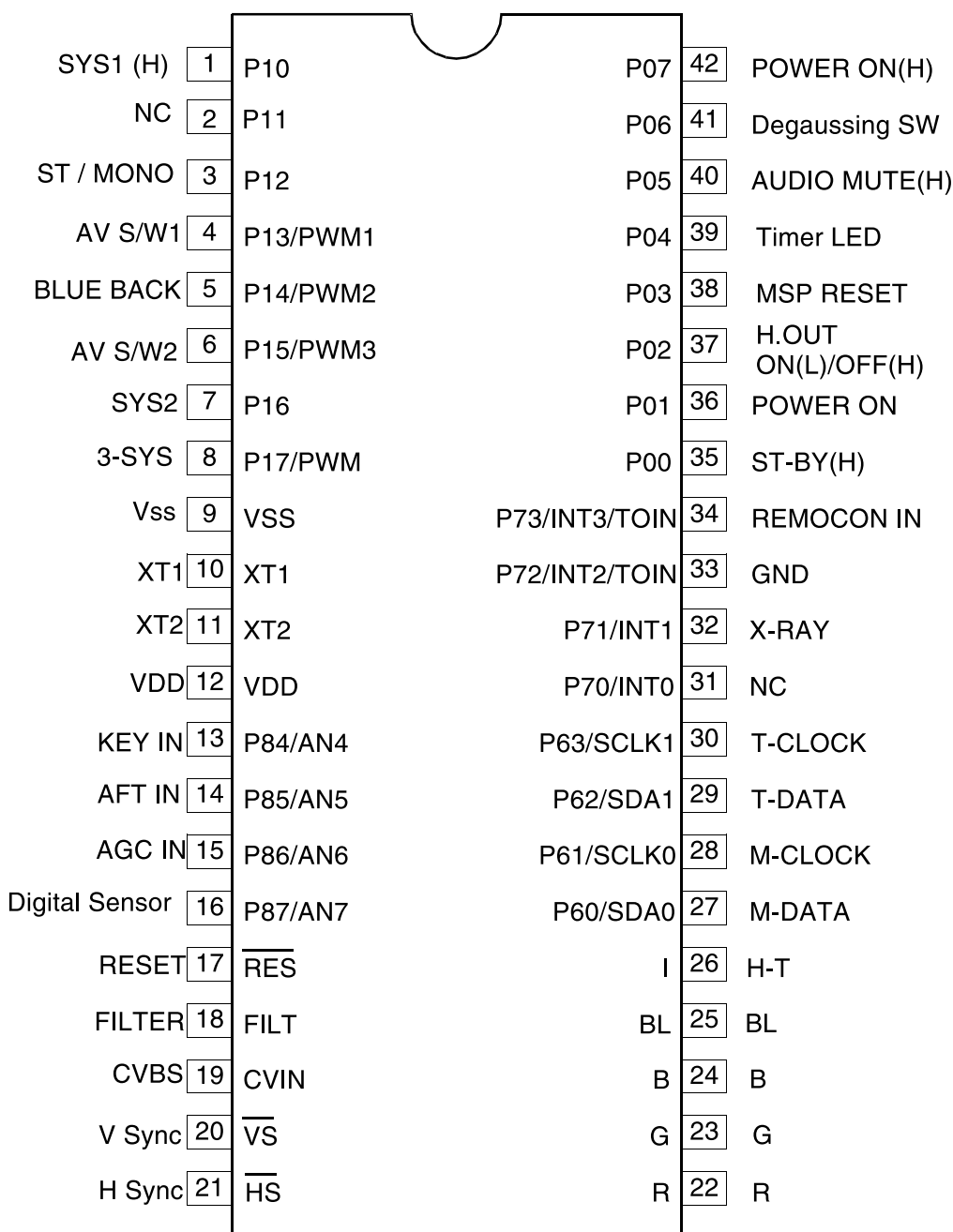


PRINTED CIRCUIT BOARD (DTQ-29M5SSN)



U-COM(I701)

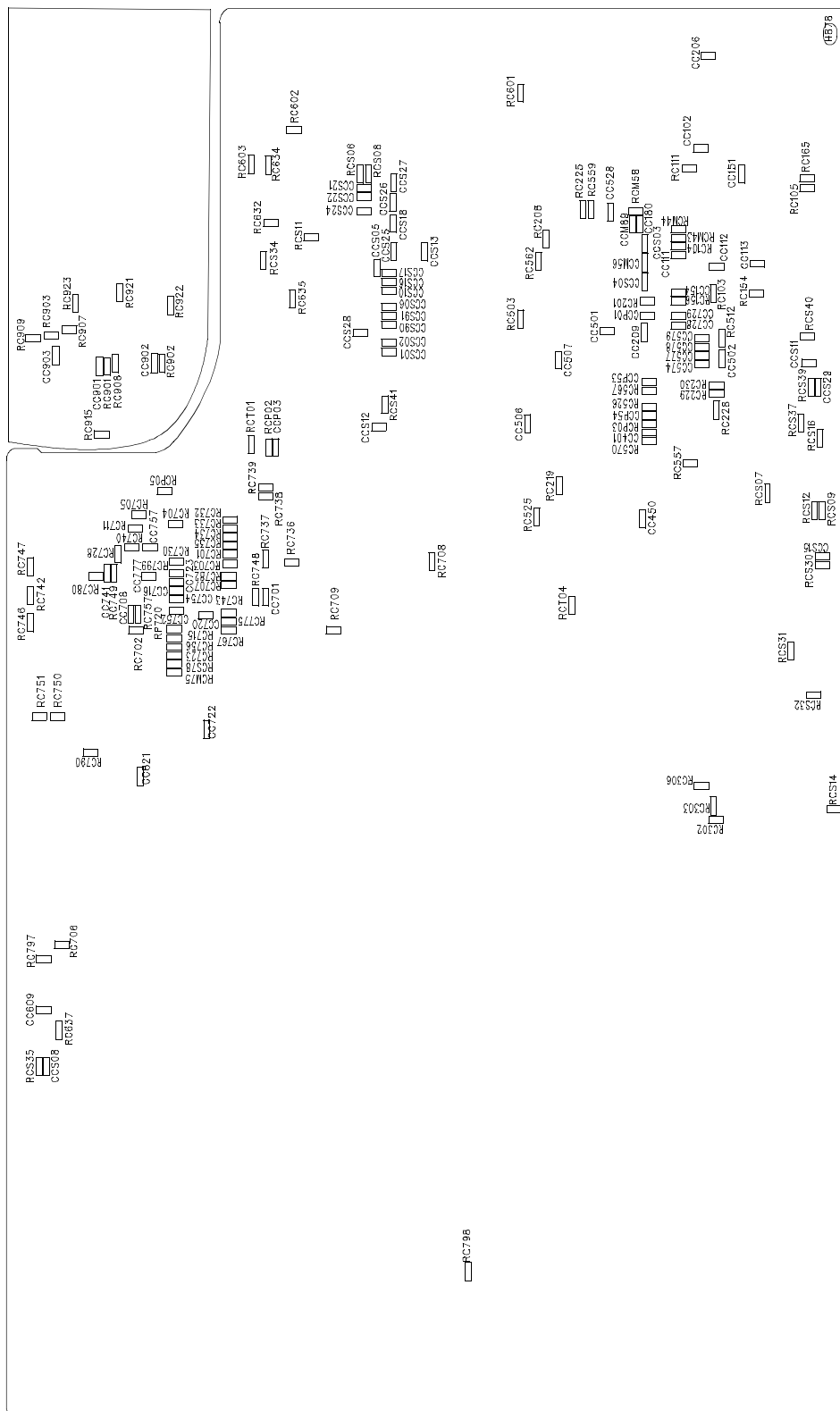
DW863240V-KM1



- X'TAL : 32.768 KHz

NO	PIN	PIN NAME	DESCRIPTION (LEVEL)
1	1	SYS 1	NC
2	2	NC	NC
3	3	ST/MONO	+5V
4	4	AV S/W1	I503#6
5	5	BLUE BACK	+5V
6	6	AV S/W2	I503#8
7	7	SYS2	NC
8	8	3-SYS	GND
9	9	Vss	GND
10	10	XT1	32.768KHz
11	11	XT2	32.768KHz
12	12	Vdd	+5V
13	13	KEY IN	SW702~6
14	14	AFT IN	I101#10
15	15	AGC IN	TU01,I101#4
16	16	DIGITAL SENSOR	IF02
17	17	RESET	RESET ACTIVE "L"
18	18	FILTER	FILTER
19	19	CVBS	I501#12
20	20	VS	I101#30
21	21	HS	I101#31
22	22	R	I101#14
23	23	G	I101#15
24	24	B	I101#16
25	25	BL	I101#17
26	26	H-T	NC
27	27	MSP-DATA	IS601#8
28	28	MSP-CLOCK	IS601#7
29	29	T-DATA	TU01,I101#11
30	30	T-CLOCK	TU01,I101#12
31	31	NC	NC
32	32	X-RAY	GND
33	33	GND	GND
34	34	REMOCON IN	IF01
35	35	STAND-BY	NC
36	36	PWR ON	+5V
37	37	H-OUT	Q407 BASE (TO 2SD2578)
38	38	MSP-RESET	IS601#20 ACTIVE "L"
39	39	TIMER LED	STD-BY: "H", TV ON: "L"
40	40	AUDIO MUTE	I602#10
41	41	Degaussing sw	Q703 BASE (TO RELAY) Degaussing : "H"
42	42	PWR ON	Q806 BASE(TO STR-F6656) TV ON : "H"

CN-012N CHASSIS



PCB AV

NO	L/C	X	Y	ORIENT
1	CC608	40	20.25	0
2	CCS07	63.75	13.75	0

PCB MAIN

NO	L/C	X	Y	ORIENT
1	CC102	297.25	43.75	270
2	CC111	272.25	50.25	270
3	CC112	269.5	39	270
4	CC113	270.25	27.25	270
5	CC151	291.25	31.75	0
6	CC154	263.5	50.25	270
7	CC180	279.5	61.5	180
8	CC206	319	41.5	270
9	CC209	254.25	60.25	180
10	CC401	230.75	58.75	270
11	CC450	210.5	60.75	180
12	CC501	254.5	71	270
13	CC502	248	37.5	180
14	CC506	232.75	94.25	180
15	CC507	247.75	85.25	0
16	CC528	282.25	70	180
17	CC574	246.75	43.25	270
18	CC577	248.75	43.25	90
19	CC578	250.75	43.25	90
20	CC579	252.75	43.25	90
21	CC609	95.5	235.25	270
22	CC701	192.25	170.5	180
23	CC708	188.25	209.75	0
24	CC716	193.75	196.5	270
25	CC720	188	188	90
26	CC722	161.25	187.75	0
27	CC723	195.75	196.5	270
28	CC728	255.75	50.25	270
29	CC729	258	50.25	270

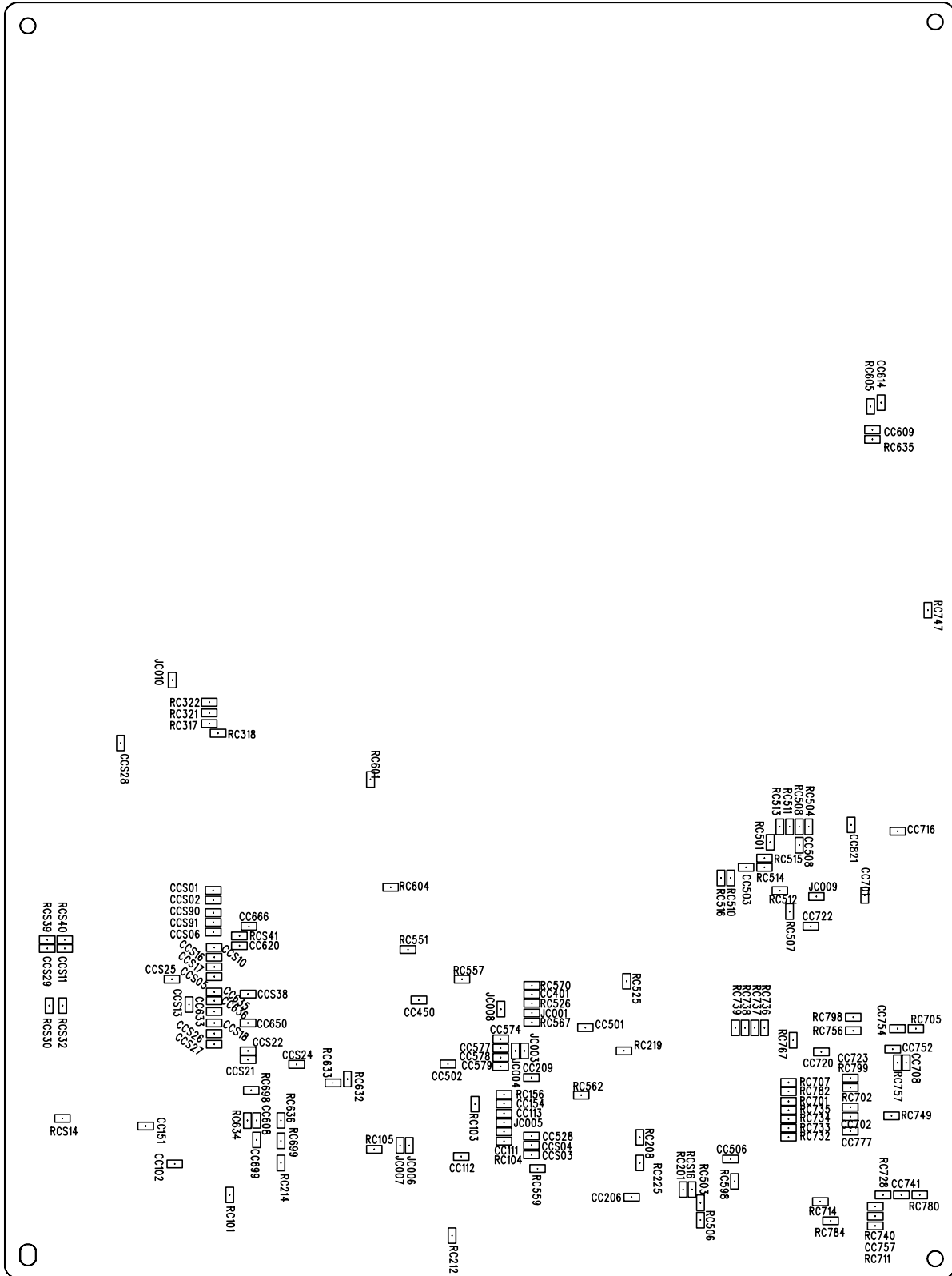
NO	L/C	X	Y	ORIENT
30	CC741	197.75	216.75	0
31	CC752	189	196.5	270
32	CC754	191.75	196.5	270
33	CC757	203.75	204.25	90
34	CC777	197	204.5	90
35	CC821	150.25	207	180
36	CC901	246.25	219	180
37	CC902	247	203	180
38	CC903	248.75	231.75	180
39	CCP01	258	59.25	270
40	CCP03	227.25	167.5	0
41	CCP53	242.5	58.75	270
42	CCP54	234.75	58.75	270
43	CCS01	249.5	134.5	270
44	CCS02	251.75	134.5	270
45	CCS03	275	60	0
46	CCS04	266	60	180
47	CCS05	269.25	138	0
48	CCS06	260.25	134.5	270
49	CCS08	82.25	234.5	0
50	CCS10	263.9	134.5	270
51	CCS11	247	12.25	270
52	CCS12	232	137.5	90
53	CCS13	273	124.25	180
54	CCS15	201.75	8.25	90
55	CCS16	266	134.5	270
56	CCS17	268	134.5	270
57	CCS18	279.7	133.4	180
58	CCS21	288	141.75	270
59	CCS22	286	141.75	270
60	CCS24	282.5	141.75	270
61	CCS25	273.1	133.3	180
62	CCS26	284.6	133.5	0
63	CCS27	289.2	133.3	180
64	CCS28	254	143	270
65	CCS29	241.25	9.5	0

NO	L/C	X	Y	ORIENT
66	CCS90	256	134.5	270
67	CCS91	258	134.5	270
68	RC103	263.25	40	0
69	RC104	274.25	50.25	270
70	RC105	288	12.75	90
71	RC111	292.5	47	270
72	RC154	263.25	27.5	270
73	RC156	261.5	50.25	90
74	RC165	290.25	12.75	90
75	RC201	261.5	59.25	270
76	RC208	276	88.75	180
77	RC219	218.25	85	0
78	RC225	283	78	0
79	RC228	236	39.25	180
80	RC229	239.75	39	270
81	RC230	241.75	39	270
82	RC302	139.5	39.25	90
83	RC303	143.25	40	180
84	RC306	148	43.5	270
85	RC501	211.25	84	90
86	RC503	257.25	96.25	0
87	RC512	252.75	37.5	180
88	RC525	211	91.5	0
89	RC526	236.75	58.75	270
90	RC557	223.5	46.75	90
91	RC559	283	75.75	180
92	RC562	270.75	91	180
93	RC567	240.5	58.75	270
94	RC570	228.75	58.75	270
95	RC601	310.25	96.25	180
96	RC602	301.5	162.25	270
97	RC603	293.5	174.75	180
98	RC632	279.75	169	90
99	RC634	293.25	169.75	180
100	RC635	262	162.75	180
101	RC637	90.75	230.75	0

NO	L/C	X	Y	ORIENT
102	RC701	202.25	180.75	90
103	RC702	184.5	208.25	90
104	RC703	200	180.75	90
105	RC704	209.25	196.75	270
106	RC705	211.5	207.5	270
107	RC706	110.75	230	90
108	RC707	195	181.25	270
109	RC708	200.5	122	180
110	RC709	184.5	150.75	270
111	RC711	208.25	208.5	270
112	RC715	182.5	197.25	90
113	RC723	178.5	197.25	90
114	RC728	202.25	213.5	0
115	RC730	200.5	196.5	90
116	RC732	210.25	180.75	90
117	RC733	208.25	180.75	90
118	RC734	206.25	180.75	90
119	RC735	204.25	180.75	90
120	RC736	200.25	163	270
121	RC737	201.25	170.5	0
122	RC738	215.75	170.5	270
123	RC739	217.75	170.5	270
124	RC740	203.75	209.5	90
125	RC742	192.5	239	0
126	RC743	188.5	181.25	270
127	RC746	186.25	239	0
128	RC747	199.25	239	180
129	RC748	192.25	173.5	180
130	RC749	197.75	214.75	0
131	RC750	164.25	231.25	90
132	RC751	164.25	236.5	90
133	RC756	180.5	197.25	90
134	RC757	188.25	207.75	180
135	RC767	184.5	181.25	270
136	RC775	186.5	181.25	270
137	RC780	197	220	270

NO	L/C	X	Y	ORIENT
138	RC782	197	181.25	270
139	RC790	155.75	221.75	270
140	RC797	107.5	235.25	90
141	RC798	34.25	111.5	0
142	RC799	197.75	196.5	90
143	RC901	246.25	216.75	0
144	RC902	247	200.75	0
145	RC903	253.5	233	90
146	RC907	254.75	227.75	270
147	RC908	247	214.5	0
148	RC909	252.75	238.25	270
149	RC915	230.25	218.25	270
150	RC921	263.5	213	180
151	RC922	260.5	198.25	180
152	RC923	261	226	180
153	RCP02	227.25	169.5	0
154	RCP03	232.75	58.75	270
155	RCP05	217	200	90
156	RCS06	291.25	143	0
157	RCS07	216.5	24.25	0
158	RCS08	291.25	140.5	0
159	RCS09	212.5	8.25	0
160	RCS11	276.5	157.25	270
161	RCS12	212.5	10.5	180
162	RCS14	142.5	4.75	90
163	RCS16	229.5	9	180
164	RCS30	199.75	8.25	90
165	RCS31	179.5	17.5	180
166	RCS32	169.25	10.75	270
167	RCS34	271	171.25	180
168	RCS35	82.25	236.5	0
169	RCS37	233	14.5	180
170	RCS39	241.25	11.5	0
171	RCS40	253.25	12.5	270
172	RCS41	237.25	135.75	180
173	RCS78	176.5	197.25	90

CN-012NF(DTQ-27U8SCN / DTQ-29U8SSN)



DTQ-27U8SCN / DTQ-29U8SSN

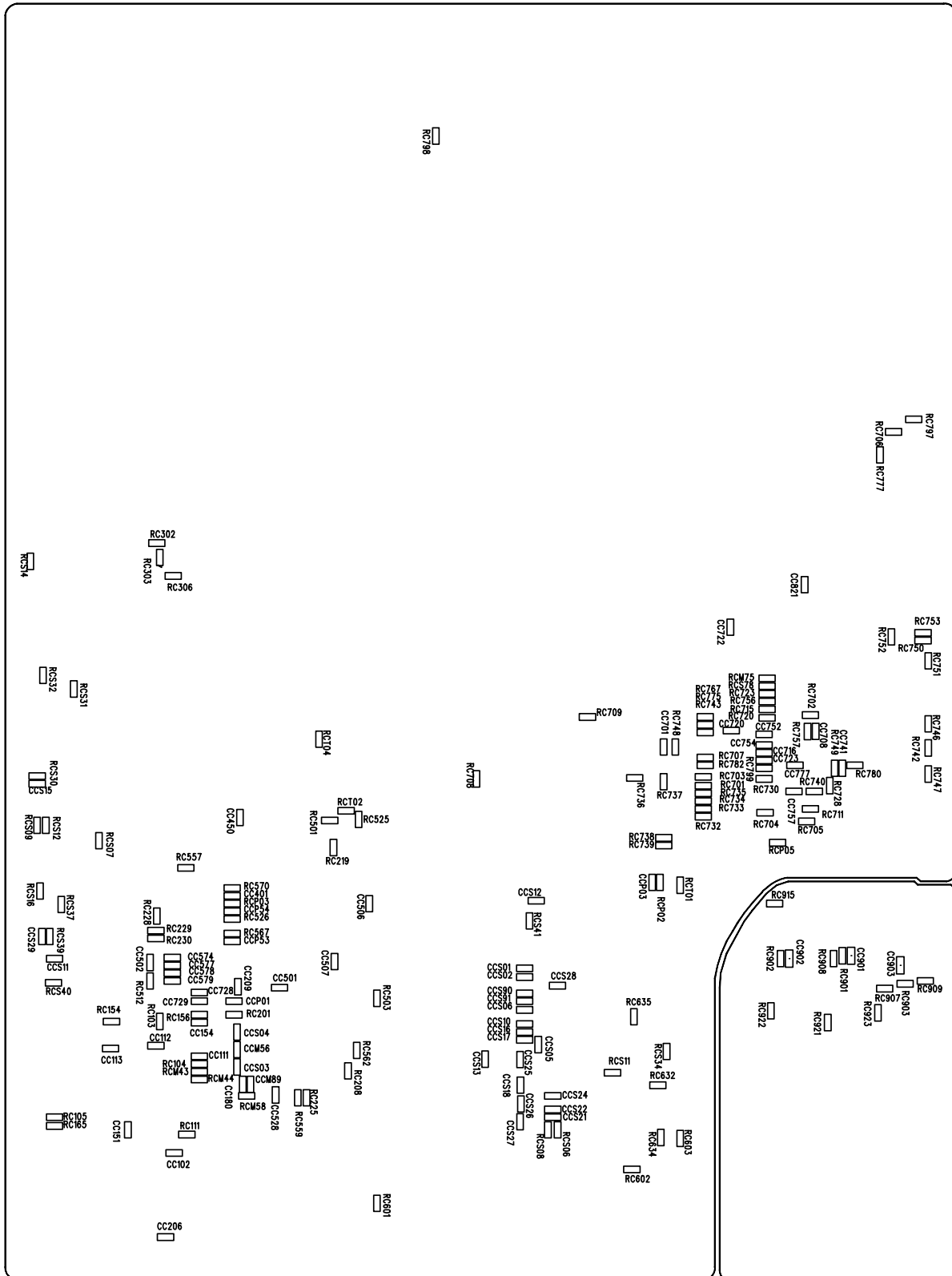
NO	LOC	X	Y	ORIENT	NO	LOC	X	Y	ORIENT
1	CC614	103.5	227	180	45	RC551	245.025	104.425	270
2	RC605	104.5	224.25	180	46	CCS16	246.99985	54.2498	270
3	CC609	110.5	224.75	270	47	CCS17	249.49985	54.2498	270
4	RC635	113	224.75	270	48	CCS05	251.99985	54.2498	270
5	RC747	157.2	239.1	0	49	RC557	252.675	118.45	90
6	JC010	175.3	43.4	180	50	CCS25	252.7	43.3	270
7	RC322	181	53	90	51	RC525	253.2	161.075	0
8	RC321	183.75	53	90	52	RC570	254.3	136.5	90
9	RC317	186.525	53	90	53	CC635	256	54.25	270
10	RC318	189.025	55.25	90	54	CCS38	256.49985	62.9998	270
11	CCS28	191.575	30	180	55	CC401	256.6	136.5	90
12	RC601	201	94.75	180	56	CC450	258.075	107.275	90
13	CC821	212.75	219.25	0	57	CC636	258.25	54.25	270
14	RC513	213.25	200.75	180	58	RC526	258.9	136.5	90
15	RC511	213.25	203.25	180	59	CCS13	259.25	47.75	180
16	RC508	213.25	205.75	180	60	RCS30	259.5	11.5	180
17	RC504	213.25	208.25	0	61	RCS32	259.5	15	180
18	CC716	214.39	231.27	270	62	JC008	260.4	128.5	180
19	RC501	217.25	198.25	0	63	CC633	261	54.25	90
20	CC508	218	205.75	0	64	JC001	261.4	136.5	90
21	RC515	221.35	196.75	270	65	RC798	262.49985	219.7498	90
22	CC503	223.75	192	90	66	RC567	263.8	136.5	90
23	RC514	223.75	196.75	90	67	CCS18	264	54.25	90
24	RC516	226.5	185.5	0	68	CC650	264	63	270
25	RC510	226.5	188	0	69	CC501	265.2	150.4	270
26	RC604	228.9	99.95	90	70	RC739	265.25	189.25	0
27	CCS01	229.7208	53.99238	270	71	RC738	265.25	191.75	0
28	RC512	229.75	200.75	90	72	RC737	265.25	194.25	0
29	CC701	230.99985	222.7498	0	73	RC736	265.25	196.75	0
30	JC009	231.3	210.2	90	74	CC754	265.5	231.25	270
31	CCS02	232.24985	53.9998	270	75	RC705	265.5	236	270
32	RC507	235.175	203.275	180	76	RC756	265.99985	219.7498	90
33	CCS90	235.5	54	270	77	CCS26	266.75	54.25	270
34	CCS91	238	54	270	78	CC574	268.15	128.45	90
35	CC666	238.99985	63.2498	90	79	RC767	268.475	204.2	180
36	CC722	239	208.75	90	80	CCS27	269.5	54.25	270
37	CCS06	240.49985	53.9998	270	81	CC577	270.525	128.45	90
38	RCS41	241.49985	60.7498	270	82	CC752	270.75	230	90
39	RCS39	242.5	11	90	83	RC219	271.2	160.4	270
40	RCS40	242.5	15.5	270	84	JC003	271.225	134.625	180
41	CC620	243.99985	60.7498	90	85	CCS22	271.25	63	270
42	CCS10	244.49985	54.2498	270	86	JC004	271.25	132.25	180
43	CCS29	244.75	11	270	87	CC720	271.475	211.5	90
44	CCS11	244.75	15.5	90	88	CC578	272.925	128.45	90

CHIP COMPONENTS POSITION

Appendix

NO	LOC	X	Y	ORIENT	NO	LOC	X	Y	ORIENT
89	CCS21	273.5	63	270	120	RC733	291.2	203	90
90	RC757	274.25	231.25	180	121	CC777	292.02	5 219	270
91	CC708	274.25	233.5	0	122	CC111	292.15	129.305	90
92	CC502	274.625	114.8	90	123	CC528	293.25	136.4	90
93	CCS24	274.7	75.6	270	124	RC732	293.5	203	90
94	CC579	275.275	128.425	90	125	RC208	293.6	164.5	180
95	CC209	278.1	136.4	270	126	CC699	294.25	65.25	180
96	CC723	278.225	219	270	127	RC699	294.5	71.5	0
97	RC632	278.5	88.75	180	128	RC104	294.575	129.315	270
98	RC707	279.4	203	270	129	CCS04	295.675	136.4	90
99	RC633	279.5	85	270	130	JC007	295.7	102.4	0
100	RC799	280.675	219.025	90	131	JC006	295.7	104.775	0
101	RC698	281.4	63.85	90	132	RC105	296.7	95.7	270
102	RC782	281.7	203	270	133	CCS03	298.1	136.4	90
103	RC156	282.5	129.3	90	134	CC112	298.55	118.25	90
104	RC562	282.65	149.325	90	135	CC506	299.25	188	90
105	RC701	284.3		90	136	RC225	300.2	164.5	0
106	CC154	284.9	129.3	90	137	RC214	300.25	71.5	0
107	RC103	285	121.8	180	138	CC102	300.5	44	90
108	RC702	285.8	219	90	139	RC559	301.7	138	90
109	RC735	286.6	203	90	140	RC598	305	189	180
110	CC113	287.4	129.3	90	141	RCS16	307.095	178.0025	180
111	RC749	288.025	229.7	270	142	RC201	307.1	175.7	0
112	CC702	288.25	219	90	143	RC101	308.5	58.25	180
113	RCS14	288.725	14.95	270	144	RC728	308.5	227.5	270
114	RC734	288.9	203	90	145	CC741	308.5	232.25	270
115	CC608	289.25	65.25	0	146	RC780	308.5	237	270
116	RC636	289.25	71.5	180	147	CC206	309.1	162.4	270
117	RC634	289.2544	62.8224	0	148	RC714	310.25	211.25	90
118	JC005	289.8	129.305	90	149	RC503	310.52	180.1875	180
119	CC151	290.7	36.5	270	150	RC740	311.5	225.5	90

CN-012NA(DTQ-29M5SSN)



DTQ-29M5SSN

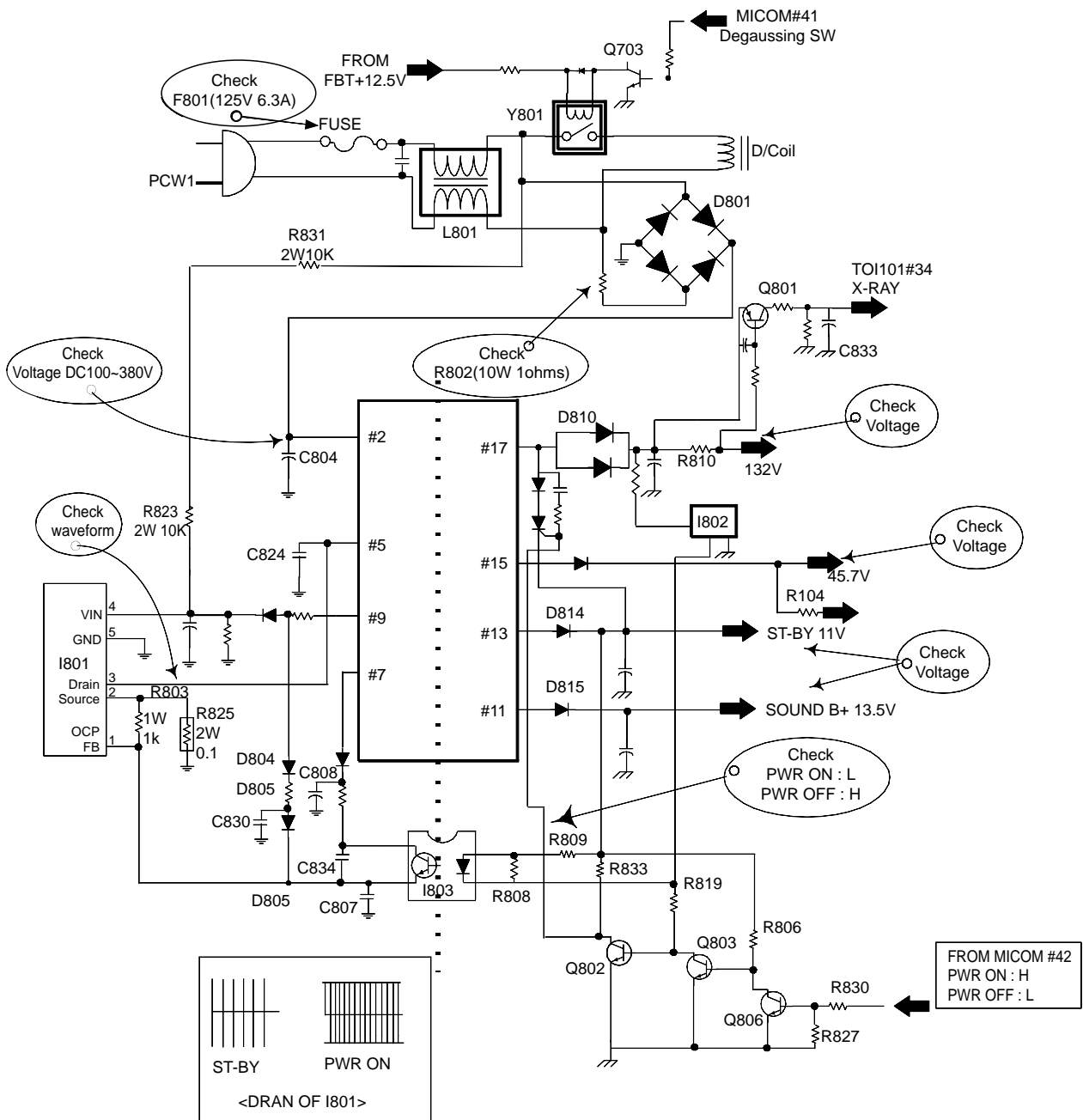
NO	LOC	X	Y	ORIENT	NO	LOC	X	Y	ORIENT
1	RC798	34.25	111.5	0	45	RC749	197.75	214.75	0
2	RC797	107.5	235.25	90	46	CC741	197.75	216.75	0
3	RC706	110.75	230	90	47	RC747	199.25	239	180
4	RC777	116.73	226.5	0	48	RCS30	199.75	8.25	90
5	RC302	139.5	39.25	90	49	RC703	200	180.75	90
6	RC303	143.25	40	180	50	RC736	200.25	163	270
7	RCS14	144.25	6.5	180	51	RC708	200.5	122	180
8	RC306	148	43.5	270	52	RC730	200.5	196.5	90
9	CC821	150.25	207	180	53	RC737	201.25	170.5	0
10	CC722	161.25	187.75	0	54	CCS15	201.75	8.25	90
11	RC753	162.75	237.65	90	55	RC701	202.25	180.75	90
12	RC752	163.76	229.47	180	56	RC728	202.25	213.5	0
13	RC750	164.7	237.65	90	57	CC757	203.75	204.25	90
14	RC751	169.95	239	0	58	RC740	203.75	209.5	90
15	RCS32	173.75	9.75	180	59	RC735	204.25	180.75	90
16	RCM75	174.5	197.25	90	60	RC734	206.25	180.75	90
17	RCS78	176.5	197.25	90	61	RC733	208.25	180.75	90
18	RCS31	177.25	17.75	180	62	RC711	208.25	208.5	270
19	RC723	178.5	197.25	90	63	RCT02	208.75	88.25	270
20	RC756	180.5	197.25	90	64	RC704	209.25	196.75	270
21	RC715	182.5	197.25	90	65	RC732	210.25	180.75	90
22	RC702	184	208.5	90	66	CC450	210.5	60.75	180
23	RC709	184.5	150.75	270	67	RC525	211	91.5	0
24	RC767	184.5	181.25	270	68	RC501	211.25	84	90
25	RC720	184.75	197.25	90	69	RC705	211.5	207.5	270
26	RC746	186.25	239	0	70	RCS09	212.5	8.25	0
27	RC775	186.5	181.25	270	71	RCS12	212.5	10.5	180
28	CC720	188	188	90	72	RC738	215.75	170.5	270
29	CC708	188.21	209.84	0	73	RCS07	216.5	24.25	0
30	RC757	188.25	207	180	74	RCP05	217	200	90
31	RC743	188.5	181.25	270	75	RC739	217.75	170.5	270
32	CC752	189	196.5	270	76	RC219	218.25	85	0
33	RCT04	190.25	81.25	180	77	RC557	223.5	46.75	90
34	CC754	191.75	196.5	270	78	CCP03	227.25	167.5	0
35	CC701	192.25	170.5	180	79	RCP02	227.25	169.5	0
36	RC748	192.25	173.5	180	80	RCT01	228	174.75	0
37	RC742	192.5	239	0	81	RC570	228.75	58.75	270
38	CC716	193.75	196.5	270	82	RCS16	229.5	9	180
39	RC707	195	181.25	270	83	CC401	230.75	58.75	270
40	CC723	195.75	196.5	270	84	CCS12	232	137.5	90
41	RC782	197	181.25	270	85	RCP03	232.75	58.75	270
42	CC777	197	204.5	90	86	CC506	232.75	94.25	180
43	RC780	197	220	270	87	RC915	232.75	199.25	270
44	RC799	197.75	196.5	90	88	RCS37	233	14.5	180

CHIP COMPONENTS POSITION

Appendix

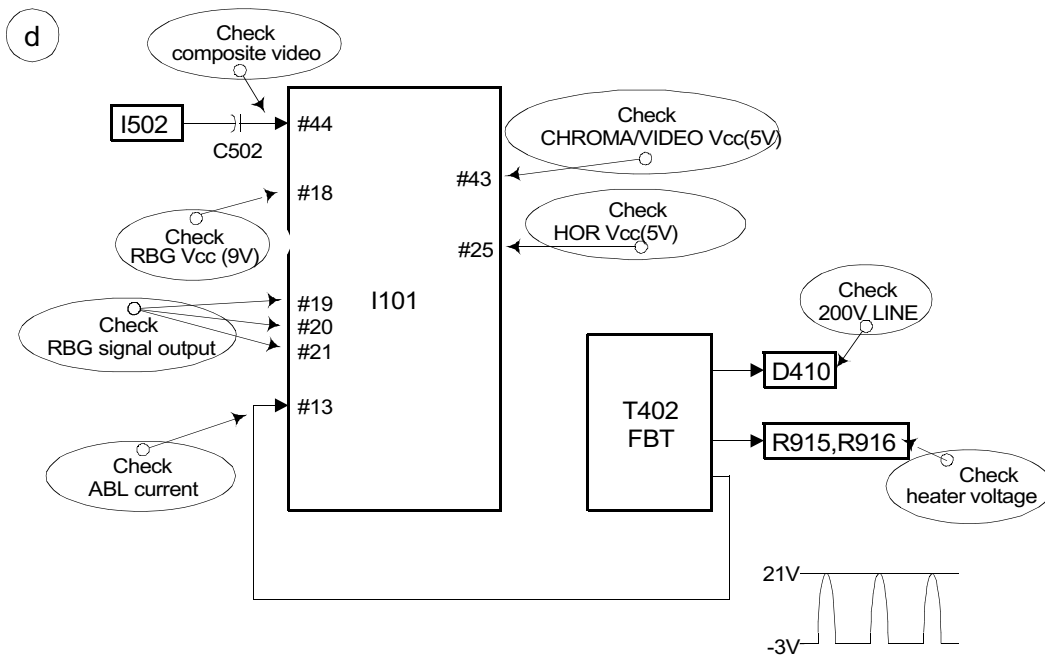
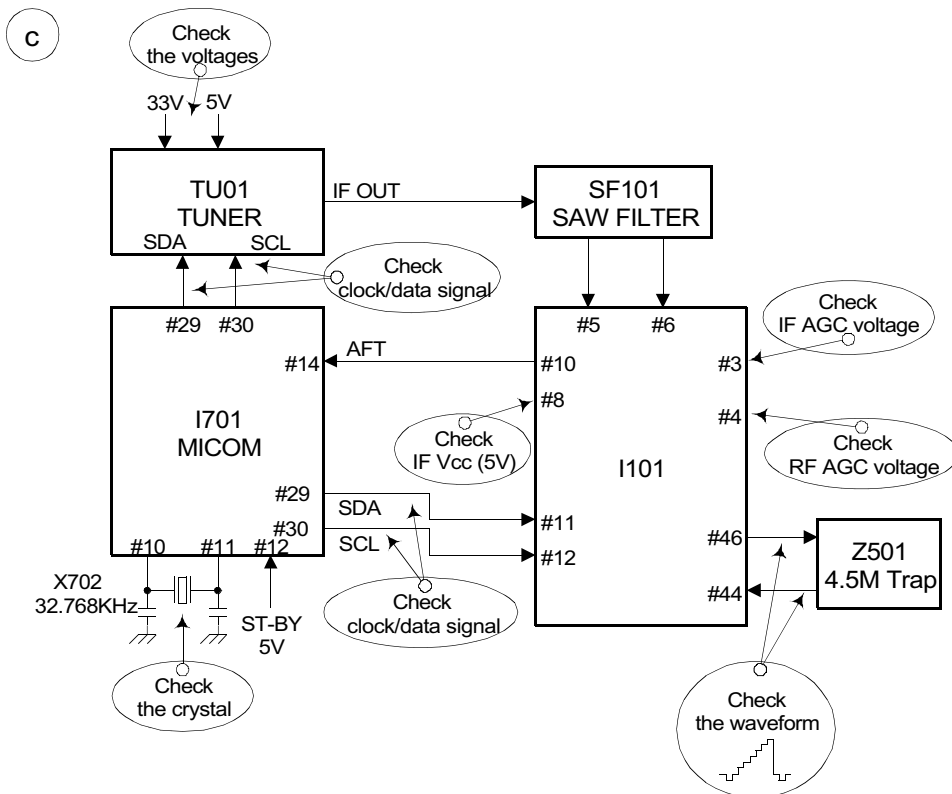
NO	LOC	X	Y	ORIENT	NO	LOC	X	Y	ORIENT
89	CCP54	234.75	58.75	270	136	CC154	263.5	50.25	270
90	RC228	236	39.25	180	137	RC921	263.5	213	180
91	RC526	236.75	58.75	270	138	CCS10	263.9	134.5	270
92	RCS41	237.25	135.75	180	139	CCS04	266	60	180
93	RC229	239.75	39	270	140	CCS16	266	134.5	270
94	RC567	240.5	58.75	270	141	CCS17	268	134.5	270
95	CCS29	241.25	9.5	0	142	CCS05	269.25	138	0
96	RCS39	241.25	11.5	0	143	CC112	269.5	39	270
97	RC230	241.75	270	270	144	CC113	270.25	27.25	270
98	CCP53	242.5	58.75	270	145	CCM56	270.5	60	0
99	RC901	246.25	216.75	0	146	RC562	270.75	91	180
100	CC901	246.25	219	180	147	RCS34	271	171.25	180
101	CC574	246.75	43.25	270	148	CC111	272.25	50.25	270
102	CCS11	247	12.75	270	149	CCS13	273	124.25	180
103	RC902	247	200.75	0	150	CCS25	273.1	133.3	180
104	CC902	247	203	180	151	RC104	274.25	50.25	270
105	RC908	247	214.5	0	152	CCS03	275	60	0
106	CC507	247.75	85.25	0	153	RC208	276	88.75	180
107	CC502	248	37.5	180	154	RCM43	276.25	50.25	270
108	CC577	248.75	43.25	90	155	RCS11	276.5	157.25	270
109	CC903	248.75	231.75	180	156	RCM44	278.25	50.25	270
110	CCS01	249.5	134.5	270	157	CC180	279.5	61.5	180
111	CC578	250.75	43.25	90	158	CCM89	279.5	63.5	0
112	CCS02	251.75	134.5	270	159	CCS18	279.7	133.4	180
113	RC512	252.75	37.5	180	160	RC632	279.75	169	90
114	CC579	252.75	43.25	90	161	CC528	282.25	70	180
115	RC909	252.75	238.25	270	162	RCM58	282.5	62.5	90
116	RCS40	253.25	12.5	270	163	CCS24	282.5	141.75	270
117	RC903	253.5	233	90	164	RC559	283	75.75	180
118	CCS28	254	143	270	165	RC225	283	78	0
119	CC209	254.25	60.25	180	166	CCS26	284.6	133.5	0
120	CC501	254.5	71	270	167	CCS22	286	141.75	270
121	RC907	254.75	227.75	270	168	RC105	288	12.75	90
122	CC728	255.75	50.25	270	169	CCS21	288	141.75	270
123	CCS90	256	134.5	270	170	CCS27	289.2	133.3	180
124	RC503	257.25	96.25	0	171	RC165	290.25	12.75	90
125	CC729	258	50.25	270	172	CC151	291.25	31.75	0
126	CCP01	258	59.25	270	173	RCS06	291.25	143	0
127	CCS91	258	134.5	270	174	RCS08	291.25	140.5	0
128	CCS06	260.25	134.5	270	175	RC111	292.5	270	270
129	RC922	260.5	198.25	180	176	RC634	293.25	169.75	180
130	RC923	261	226	180	177	RC603	293.5	174.75	180
131	RC156	261.5	50.25	90	178	CC102	297.25	43.75	270
132	RC201	261.5	59.25	270	179	RC602	301.5	162.25	270
133	RC635	262	162.75	180	180	RC601	310.25	96.25	180
134	RC154	263.25	27.5	270	181	CC206	319	41	270
135	RC103	263.25	40	0					

1.NO POWER



2. NO PICTURE

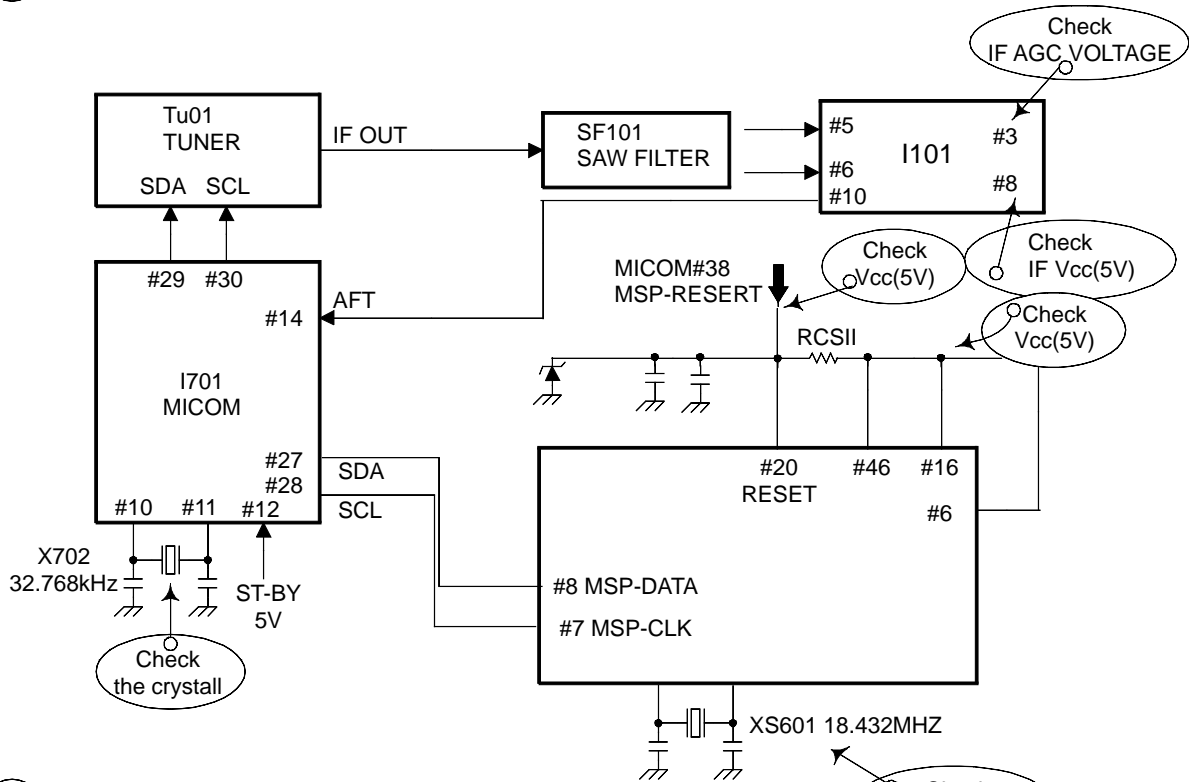
Check the waveform of I101 #46	NG : GO to the figure ㉓
	OK : Go the figure ㉔



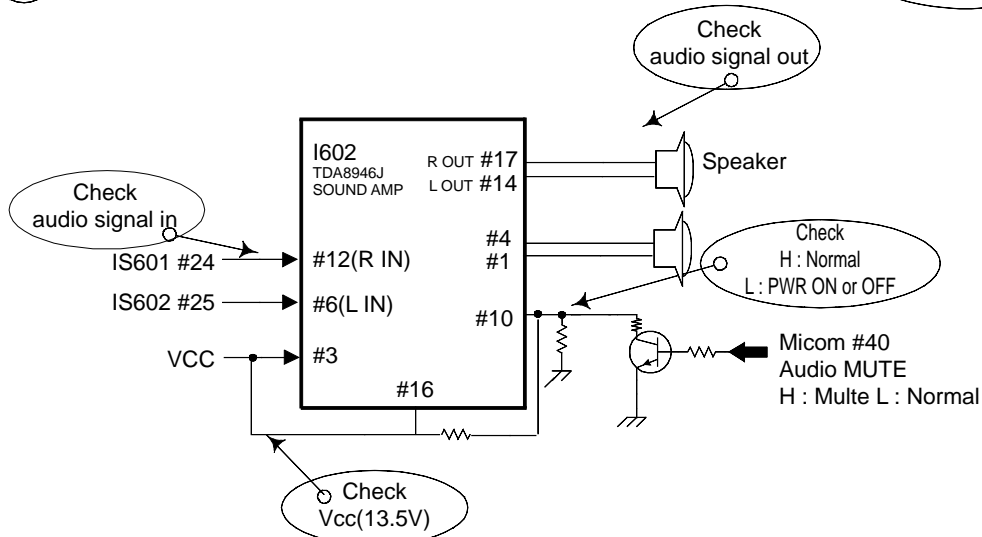
3. NO SOUND

Check audio output signal of I101#1	NG : Go to the figure e
	OK : Go to the figure f

e

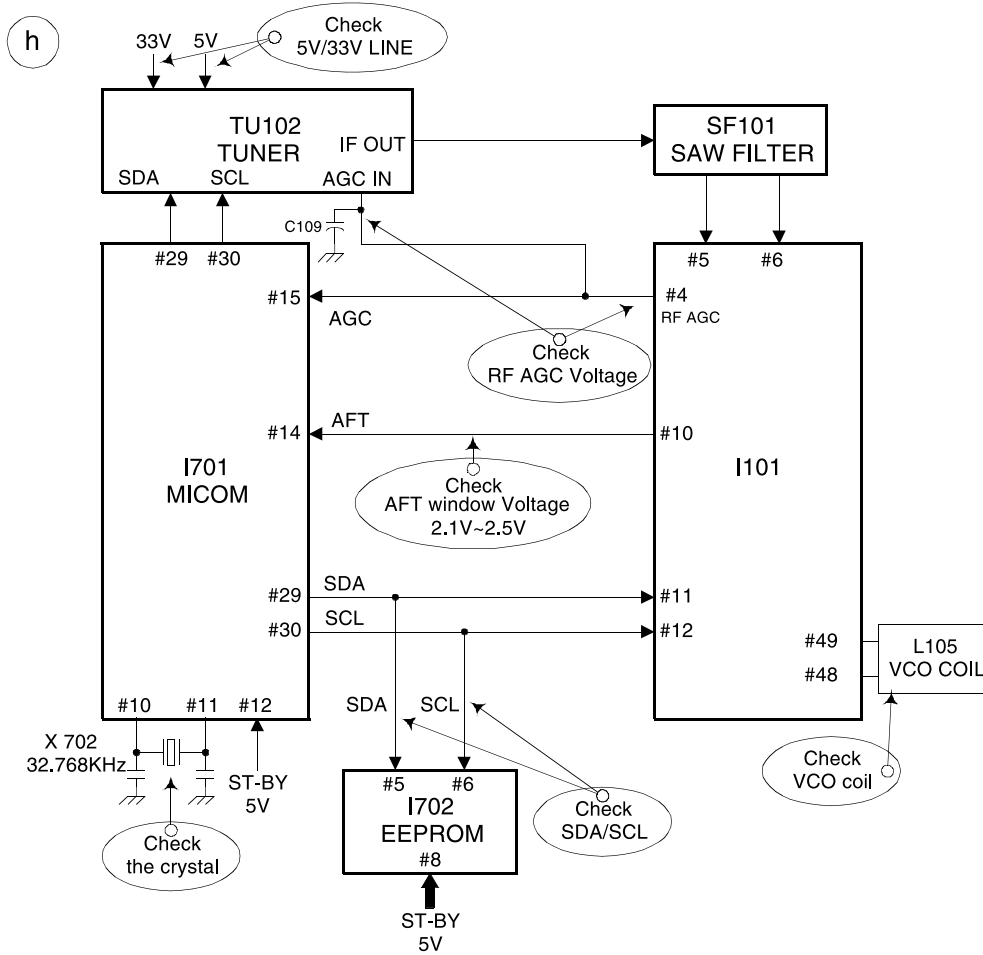


f

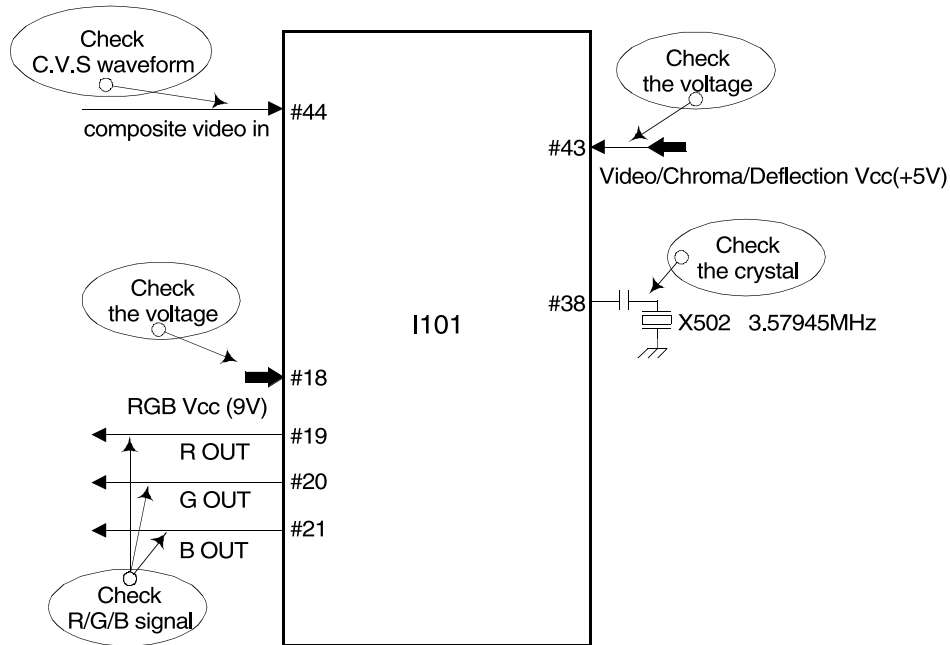


4. CH DON'T STOP

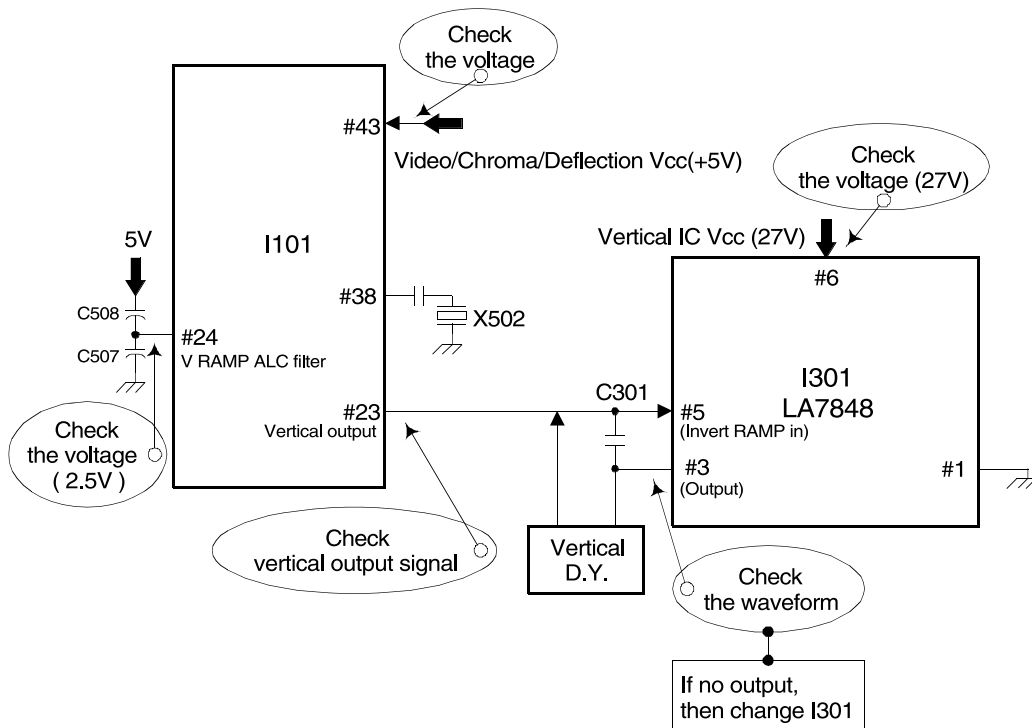
Check the input signal conditions	NG : Loss of signal or weak signal
	OK : Go to the figure ⑨



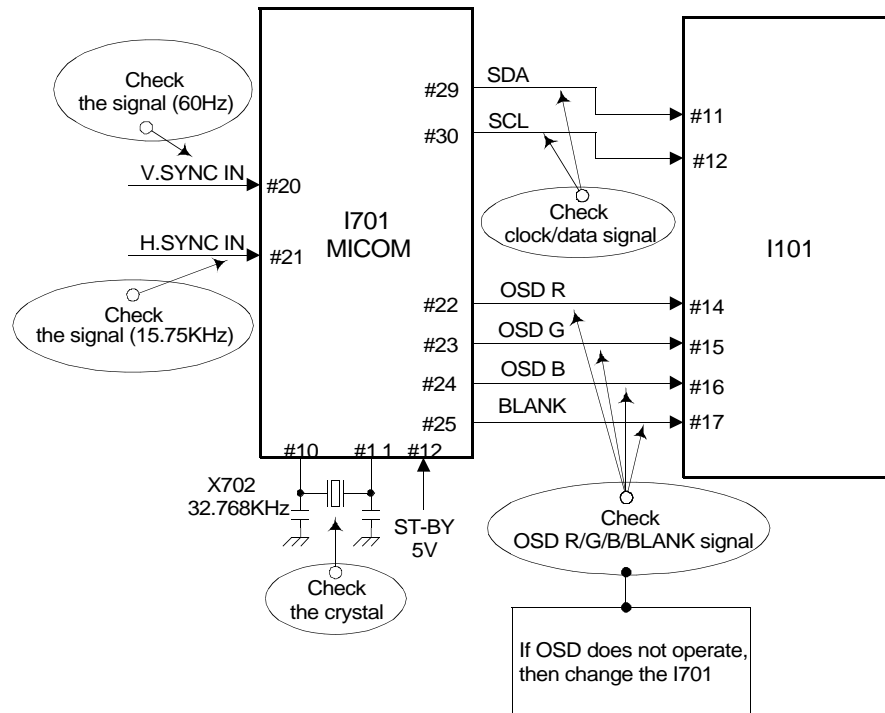
5. NO COLOR



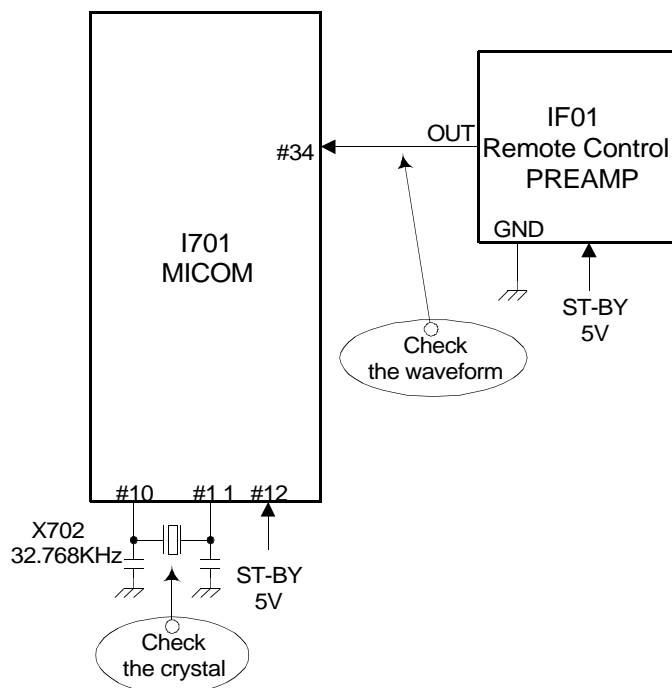
6. NO VERTICAL DEFLECTION



7. NO OSD (ON SCREEN DISPLAY)



8. NO REMOCON RECEIPT



Free Manuals Download Website

<http://myh66.com>

<http://usermanuals.us>

<http://www.somanuals.com>

<http://www.4manuals.cc>

<http://www.manual-lib.com>

<http://www.404manual.com>

<http://www.luxmanual.com>

<http://aubethermostatmanual.com>

Golf course search by state

<http://golfingnear.com>

Email search by domain

<http://emailbydomain.com>

Auto manuals search

<http://auto.somanuals.com>

TV manuals search

<http://tv.somanuals.com>