

Odyssey

Manufactured by **Dakota Digital**

CLK-1002B rev. A DIGITAL CLOCK TO MATCH VFD-1002B

Introduction:

The Odyssey gauge series from Dakota Digital, Inc. incorporates the reliability and quality of our standard gauges, along with several unique features and easy mounting. These features include:

- Quartz accuracy.
- Night dimming feature.
- Very low standby power to prevent battery drain.
- High Visibility VFD display for sunlight readability.

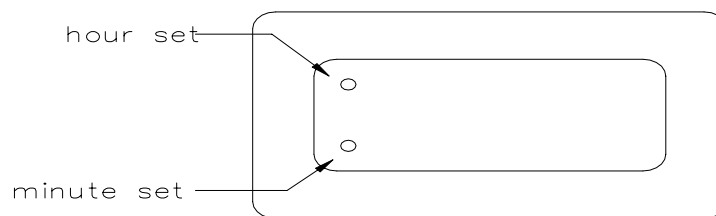
The Odyssey series clock displays the current time in 12 hour format. The high brightness display matches our other Odyssey and STR series gauges and has the same night brightness dimming capability.

Operation:

The gauge needs the red, orange, and black wires connected to operate. The red wire should have switched 12 volt power from an ACC. point on the fuse panel. The orange wire should have constant 12 volt power. The black wire should be connected to a good ground point. When the blue wire has 12 volts, it will dim the display for night viewing.

Setting the time:

Using a small, thin object such as a toothpick or pin, press "set" buttons through front lens access holes. The access holes are on the right side of the lens. Top "set" button advances hours, bottom "set" button advances minutes. Each time that you make a change to either the hours or minutes, the seconds are reset to zero.



Adjusting the accuracy:

The clock is accurate to +/-2 minutes a month as it is sent. It can be tuned for better accuracy if desired. Press and hold both of the set buttons for several seconds. The clock will display "C 0". The "C" indicates that it is in the calibration mode and the second number is the current calibration value. The calibration value indicates the number of seconds to add or subtract each day. The clock can be adjusted from +7 sec/day to -7 sec/day.

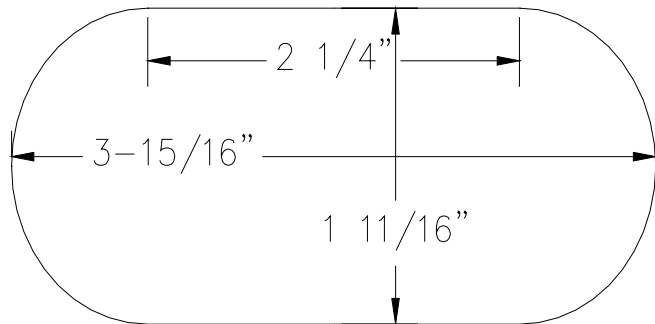
Press the minute set button to change the cal value. Press the hour set button to return to normal clock operation.

Wiring:

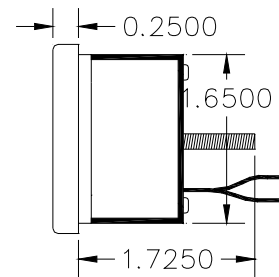
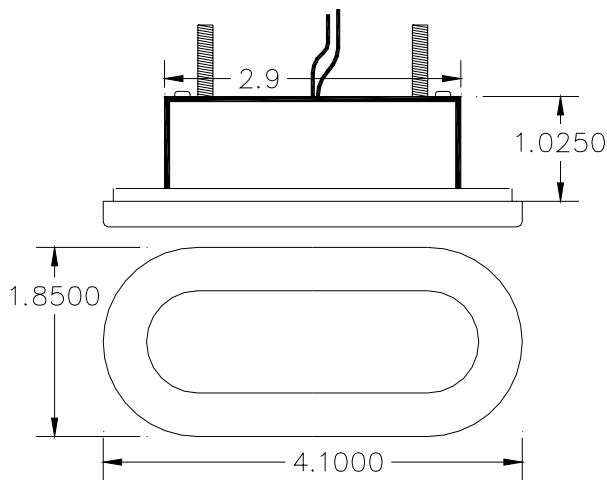
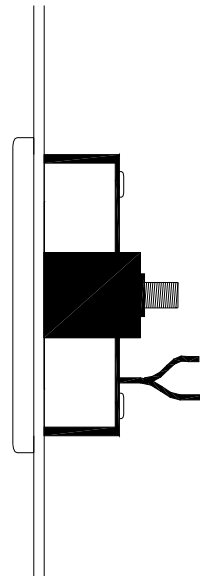
- BLACK - connect to a good ground point in the vehicle.
- RED - connect to switched 12 volt power point.
(An accessory terminal will work for this.)
- ORANGE - connect to a constant 12 volt power point.
(This will keep the correct time.)
- BLUE - connect to the tail light circuit.

Mounting:

The gauge requires an oval cut out that as shown below. It should be inserted into the opening from the front and the U-clamp will be installed from the back. Tighten the two nuts on the U-clamp so that the gauge is secure. Figure 2 shows the required cut out for the gauge. Figure 3 shows how the gauge mounts.



DASH CUTOUT



Troubleshooting guide.

Problem	Possible cause	Solution
Clock will not light up	Red wire does not have power.	Connect to a location that has power when the key is on.
	Orange wire does not have power.	Connect to a location that has power all of the time.
	Black wire is not getting a good ground.	Connect ground to a different location.
	Power is reversed.	Connect black to negative ground, red and orange to +12V power.
Clock will not turn off when the key is off.	Clock is damaged.	Return clock for repair. (see instructions)
	The red and orange wires are reversed.	Connect the red to switched power, the orange to constant power.
Clock lights up, but does not read correctly.	Loose connection on orange power wire.	Reconnect orange wire.
	Poor ground connection.	Move ground to different location
	Time is not set.	Set time. (see instructions)
	Clock is damaged.	Return clock for repair. (see instructions)
Clock will not keep time.	Orange wire does not have constant power.	Connect to a location that has power when the key is on or off.
	Loose connection on orange power wire.	Reconnect orange wire.
	Poor ground connection.	Move ground to different location
Clock will not dim.	Blue wire is not connected correctly.	Check wiring connections.
	Blue wire is getting power all of the time.	Connect blue wire to location that only has power when the headlights are on.
Clock remains dim at all times.	Battery is very low.	Recharge or replace vehicle battery.
	Clock is damaged.	Return clock for repair. (contact factory)

SERVICE AND REPAIR

DAKOTA DIGITAL offers complete service and repair of its product line. In addition, technical consultation is available to help you work through any questions or problems you may be having installing one of our units.

Should you ever need to send the unit back for repairs, please package the product in a good quality box along with plenty of packing material. Ship the product by UPS or insured Parcel Post. Be sure to include a complete description of the problem, your full name and address (street address preferred), and a telephone number where you can be reached during the day. An authorization number for products being returned for repair is not needed. Do not send any money. We will bill you for the repair charges. Any returns for warranty work must include a copy of the dated invoice or bill of sale.

Technical specifications

Minimum operating voltage	-	7 volts
Maximum operating voltage	-	18 volts
(operating at or near maximum rating for an extended time can damage unit)		
Clock accuracy	-	±2 minute per month
Typical current draw (@ 13.8V)	-	0.13 A
Standby current draw (key off)	-	0.002 A

ODYSSEY SERIES DIGITAL GAUGE LIMITED WARRANTY

DAKOTA DIGITAL (the Company) warrants to the ORIGINAL PURCHASER of this product that should it, under normal use and condition, be proven defective in material or workmanship within 24 MONTHS FROM THE DATE OF PURCHASE, such defect(s) will be repaired or replaced (at the Company's option) without charge for parts or labor directly related to repairs of the defect(s).

To obtain repair or replacement within the terms of this Warranty, the product is to be delivered with proof of warranty coverage (e.g. dated bill of sale), name, address, phone number, and specification of defects, transportation prepaid, to the factory. This Warranty is valid for the original purchaser only and may not be transferred.

This warranty does not cover nor extend to damage to vehicle electrical system. This Warranty does not apply to any product or part thereof which in the opinion of the Company has been damaged through alteration, improper installation, mishandling, misuse, neglect, or accident.

This Warranty is in lieu of all other express warranties or liabilities. ANY IMPLIED WARRANTIES, INCLUDING ANY IMPLIED WARRANTY OF MERCHANTABILITY, SHALL BE LIMITED TO THE DURATION OF THIS WRITTEN WARRANTY. ANY ACTION FOR BREACH OF ANY WARRANTY HEREUNDER INCLUDING ANY IMPLIED WARRANTY OF MERCHANTABILITY MUST BE BROUGHT WITHIN A PERIOD OF 24 MONTHS FROM DATE OF ORIGINAL PURCHASE. IN NO CASE SHALL THE COMPANY BE LIABLE FOR ANY CONSEQUENTIAL OR INCIDENTAL DAMAGES FOR BREACH OF THIS OR ANY OTHER WARRANTY, EXPRESSED OR IMPLIED, WHATSOEVER. No person or representative is authorized to assume for the Company any liability other that expressed herein in connection with the sale of this product.

The Company does not warrant that this product cannot be compromised or circumvented. THE EXTENT OF THE COMPANY'S LIABILITY UNDER THIS WARRANTY IS LIMITED TO THE REPAIR OR REPLACEMENT PROVIDED ABOVE AND, IN NO EVENT, SHALL THE COMPANY'S LIABILITY EXCEED THE PURCHASE PRICE PAID TO THE PURCHASER FOR THE PRODUCT.

Some states do not allow limitations on how long an implied warranty lasts or the exclusion or limitation if incidental or consequential damage so the above limitations or exclusions may not apply to you. This warranty gives you specific legal rights and you may also have other rights which vary from state to state.

Dakota Digital

4510 W. 61ST St. N., Sioux Falls, SD 57107
Phone: (605) 332-6513 FAX: (605) 339-4106
www.dakotadigital.com
dakotasupport@dakotadigital.com

©Copyright 2001 Dakota Digital Inc.

Free Manuals Download Website

<http://myh66.com>

<http://usermanuals.us>

<http://www.somanuals.com>

<http://www.4manuals.cc>

<http://www.manual-lib.com>

<http://www.404manual.com>

<http://www.luxmanual.com>

<http://aubethermostatmanual.com>

Golf course search by state

<http://golfingnear.com>

Email search by domain

<http://emailbydomain.com>

Auto manuals search

<http://auto.somanuals.com>

TV manuals search

<http://tv.somanuals.com>