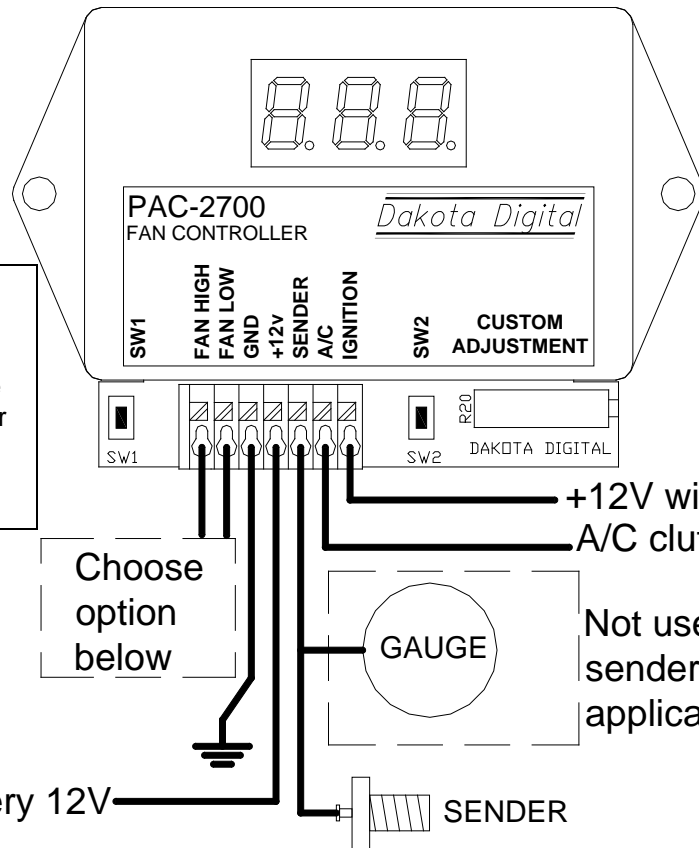


Dakota Digital

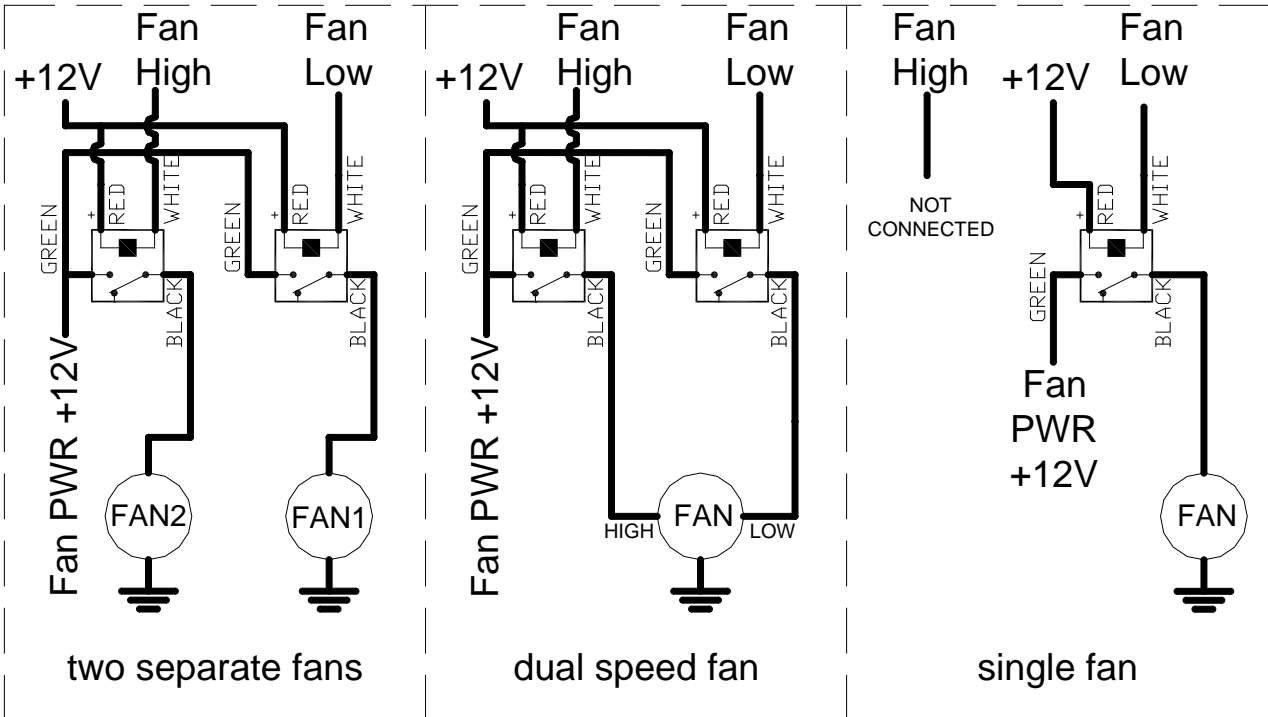
PAC-2700 ELECTRIC COOLING FAN CONTROLLER



IMPORTANT NOTE:
The +12V for the controller should NOT be taken from the same circuit as the Fan Power 12V as this can cause the fan to cycle on and off.

Choose option below

+12V with key ON
A/C clutch cycle switch (+12v trigger)
Not used in sender only application



Set Up

1. Press and hold SW2, then turn the key on.
2. Release SW2, then press and release SW1 to move onto the next step.
3. To select temperature scale to use, press and hold SW1 to select F (Fahrenheit) or press and hold SW2 for C (Celsius). Hold the switch for longer than one sec to select. Once a temperature scale is selected, the display will flash and go on to next setting.
4. Display will now read $L o n$ indicating low fan on temperature is to be set. Use SW1 or SW2 to select the temperature at which the fan should turn on. Press both switches to save the setting. Display will flash once setting is saved.
Note: SW1 increases the temperature, while SW2 decreases the temperature.
5. Display will now read $O F F$ indicating low fan off temperature is to be set. Again, use SW1 or SW2 to set the temperature at which the fan should turn off. Press both switches to save the setting.
6. If two fan or dual speed fan mode was previously selected, temperature settings for the high fan output are at this point in setup for convenience. If single fan mode is set up, setup will skip high temp settings and go to step 7.
 - 6a. Display will now read $H o n$ indicating high fan on temperature is to be set. Use SW1 or SW2 to set the temperature at which the fan should turn on. Press both switches to save the setting.
 - 6b. Display will now read $O F F$ indicating high fan off temperature is to be set. Use SW1 or SW2 to set the temperature and press both switches to save the setting.
7. Display will read $d L Y$ Use SW1 or SW2 to cycle through the following options. Press both switches to select an option.

<u>Display</u>	<u>Option</u>
$O F F$	Fan will turn off when key is turned off.
$0 5 0$	If fan was running at key off, it will continue to run for 30 seconds after key is turned off.
$0 7 5$	If fan was running at key off, it will continue to run for 45 seconds after key is turned off.
$1 0 0$	If fan was running at key off, it will continue to run for 1 minute after key is turned off.
$2 0 0$	If fan was running at key off, it will continue to run for 2 minutes after key is turned off.
$3 0 0$	If fan was running at key off, it will continue to run for 3 minutes after key is turned off.
$5 0 0$	If fan was running at key off, it will continue to run for 5 minutes after key is turned off.

8. Display will read $F A n$ indicating fan type is to be set. Use SW1 or SW2 to select the fan type used. Press both switches to save setting.

<u>Display</u>	<u>Option</u>
1	one single speed fan (only low fan output used)
2	two single speed fans (high <u>and</u> low fan outputs both on for high temp, & some dual spd fans only low fan output on for low temp)
$S P d$	one dual speed fan (high fan output on, low fan off for high temp, high fan off, low fan on for low temp)

Note: If two fan or dual speed are selected and high fan temp setting was not set before, setup will return to step 6 to allow temp settings to be made.

9. Display will read $S n d$ signaling to select a sender type. Press SW1 to move through list forward, press SW2 to back up. Press both switches to save setting. The supported senders are listed below with the display that represents each option.

<u>Display</u>	<u>Option</u>
$n o$	No gauge, dedicated Dakota Digital sender only
$d d 1$	Dakota Digital individual temp gauge with sender
$d d 2$	Dakota Digital instrument cluster with control box (ver. STR-D or later, older versions use CUS)
$S t E$	Stewart Warner gauge and sender
$C L S$	Classic gauge and sender
$V d o$	VDO gauge and sender
$A t o$	Autometer gauge and sender
$C U S$	Custom calibrated gauge
$C A L$	Custom calibration (for gauge sets not listed above)

10. If your gauge is not supported in one of the options above, you will need to custom calibrate the controller for your gauge. (if CUS is selected and calibration has not been done, the calibration sequence will automatically be started). The following is the procedure for custom calibration. If your gauge system is listed above, skip this portion and continue at step 11.

Custom Calibration

Note 1: If your engine is warm you may need to disconnect the wire from your sender in order get to the lower points on the gauge.

Note 2: If the key is turned off in custom setup, the previous gauge setting will be used and the custom gauge will not be saved.

Note 3: If your gauge does not have defined ticks with numerical temp readings, it is highly recommended to use a dedicated sender as calibration to the gauge is very inaccurate or impossible without temp markings.

CC1. Select CAL in Step 9 above. Display will read Adj .

CC2. Turn the potentiometer on the lower right corner of the unit (marked CUSTOM ADJUSTMENT) with a small flat screw driver. While doing so, watch your temp gauge and line up the needle with the **lowest temperature tick** on the gauge. **Custom gauge must be calibrated starting at cold temperatures and moving to hot temperatures.**

Note: Turning potentiometer clockwise increases temperature reading.

CC3. Once the gauge is set to a tick, press SW1 or SW2. A temperature reading will appear on the display. Scroll to the temp reading that matches the tick temperature reading on the gauge using SW1 to increase and SW2 to decrease. Press both buttons to save the number. Display will again read Adj .

CC4. Repeat steps CC2 and CC3 with the next lowest tick on gauge until all the ticks on your gauge have been set. (up to 6 but no less than 4 points). Press both SW1 and SW2 at Adj to stop setting points if there are less than 6 points on your gauge. If there are more than 6 points on your gauge, select points over the full range of the gauge (cold to hot). This will give a better match to your gauge.

11. Unit will flash EEE to indicate set up is complete. The unit now has been set up. If the wiring and setup have been properly completed the unit should begin normal operation at this point.

Resetting Factory presets

This procedure will return the device to the original factory presets and clear custom calibration settings.

NOTE: Calibration data for the custom gauge setup will be lost when reset to factory presets.

1. Turn key off.
2. Press and hold SW1 and SW2 and turn key on.
3. Display will read rES for reset
4. Display will flash EEE to indicate unit is reset. Factory reset values are listed at the beginning of the setup portion of this manual.

Checking set up (diagnostic mode)

This unit comes with a feature to allow you to mimic normal operating temperatures using the adjustment pot. This can allow you to test the installation before ever starting the engine. Just follow these steps.

1. Turn the key on.
2. Press SW1 and SW2 at the same time and hold. A number representing the temperature will come up on the display. This number will blink once to indicate that the unit has entered diagnostic mode. SW1 and SW2 may now be released and the unit will remain in diagnostic mode until the key is turned off.
3. Adjust the potentiometer on the left side of the unit while watching the display and listening for the fan. The fan should start when the display reads hotter than the set ON temp. It should again shut off when the display reads lower than the OFF temp.
4. You may also look at your water temperature gauge (if unit is using a gauge) and compare the temperature reading of the unit to the gauge. The temperatures should be within a few degrees. If not, the wrong gauge may be selected in the setup routine. Go through setup again by turning off the ignition, pressing and holding SW2 and turning ignition back on. If a selection cannot be found that closely matches your gauge you may have to custom calibrate to your gauge. (see step 10 in setup)

Checking the current reading

The current temperature reading can be displayed on the unit at anytime during normal operation without going into the diagnostic mode. Simply press and hold SW1 while the key is on and the PAC-2700 is not in setup or diagnostic mode. The current temperature will be shown on the display until the SW1 is released.

TROUBLESHOOTING

PROBLEM	CAUSE	SOLUTION
Display reads "Er0" (lost memory)	Setup memory lost, unit needs to be recalibrated	Go through setup procedure, (see setup in this manual)
Display reads "Er1" (shorted sender)	Wrong gauge selected	Select proper gauge in setup or use custom cal if needed
	Gauge disconnected from sender (gauge option only)	Reconnect gauge to sender
	Sender is shorted	Check sender wire for short to ground, look for pinched sender wire or bare connection touching ground
	Unit not connected to sender	Connect SENDER terminal on unit to sender circuit
Display reads "Er2" (open sender)	Wrong gauge selected	Use setup to select proper gauge, or use custom cal if needed
	Sender not connected	Reconnect wire to sender
	Unit not connected to sender	Connect SENDER terminal on unit to sender circuit
Display reads "Er3"	Setup data is out of valid range	Go through setup again, custom cal may be incorrect
Display reads "bAt" when attempting to go into setup	+12v terminal does not have constant power	Connect +12v terminal to fused battery connection. This terminal should have constant power at all times.
Display alternates between "Lo" and "bAt"	Battery voltage dropped too low during key off extended fan on time	Ensure battery is fully charged. Check and replace weak battery. Shorten fan delay time to prevent excessive battery drain.
Fan turns on late, or not at all	Unit has no power	With key on, hold SW1, if the display doesn't show a temperature after a few seconds, check battery and ground connections.
	Broken/shorted wire to sender	Check wire to sender for breaks or shorts and repair.
	Wrong gauge is selected (gauge setup)	Hold SW1, if temperature read is lower than expected or doesn't match gauge, redo setup.
	Wrong sender used (for no gauge setup)	For sender only applications ONLY a Dakota Digital 300°F sender can be used. Other senders may not give a correct temperature reading.
	On temperature in setup is too high	Hold SW1, if temperature read is above the desired on temperature, and fan is not running, redo setup.
	Fan not connected properly	Remove fan output from unit and short wire to ground. If fan does not run, check relay and fan connections.
	Alternator overcharging (Analog gauge applications only)	Use a voltmeter to measure the voltage at the battery while the engine is running. If this voltage is above 15v the unit may turn the fan on later than expected. Either correct overcharging problem or set on temp lower to compensate.
Fan runs constantly	Controller has an error	Check display for error message
	Fan off temp too low	Increase off temp in setup
	Broken/shorted wire to sender	Check wire to sender for breaks or shorts and repair.
	Wrong gauge is selected	Select appropriate gauge in setup, or custom calibrate if your gauge is not supported.

TROUBLESHOOTING (continued)

PROBLEM	CAUSE	SOLUTION
Custom gauge setup displays "Err" and returns to "Snd" setup option	Not enough points used	Make sure that at least 4 points of gauge are set
	Points not input in correct order	Set gauge points in order from cold points to hot points
	Point entered twice	Each point set must be different than the point before it
Fans cycle on-off especially when engine temp is close to On/off set point	+12v for controller taken from same circuit as the fan power +12V (green wire on relays)	Connect the +12V for the controller to a different circuit separate from the circuit connected to fan relays.

SERVICE AND REPAIR

DAKOTA DIGITAL offers complete service and repair of its product line. In addition, technical consultation is available to help you work through any questions or problems you may be having installing one of our products. Please read through the Troubleshooting Guide. There, you will find the solution to most problems. **Should you ever need to send the unit back for repairs, please call our technical support line, (605) 332-6513, to request a Return Merchandise Authorization number.** Package the product in a good quality box along with plenty of packing material. Ship the product by UPS or insured Parcel Post. Be sure to include the RMA number on the package, and include a complete description of the problem with RMA number, your full name and address (street address preferred), and a telephone number where you can be reached during the day. Any returns for warranty work must include a copy of the dated sales receipt from your place of purchase. Send no money. We will bill you after repair.

Dakota Digital 24 Month Warranty

DAKOTA DIGITAL warrants to the ORIGINAL PURCHASER of this product that should it, under normal use and condition, be proven defective in material or workmanship within 24 MONTHS FROM THE DATE OF PURCHASE, such defect(s) will be repaired or replaced at Dakota Digital's option.

This warranty does not cover nor extend to damage to the vehicle's systems, and does not cover removal or reinstallation of the product. This Warranty does not apply to any product or part thereof which in the opinion of the Company has been damaged through alteration, improper installation, mishandling, misuse, neglect, or accident.

This Warranty is in lieu of all other expressed warranties or liabilities. Any implied warranties, including any implied warranty of merchantability, shall be limited to the duration of this written warranty. Any action for breach of any warranty hereunder, including any implied warranty of merchantability, must be brought within a period of 24 months from date of original purchase. No person or representative is authorized to assume, for Dakota Digital, any liability other than expressed herein in connection with the sale of this product.

Dakota Digital

4510 W. 61ST St. N., Sioux Falls, SD 57107
Phone: (605) 332-6513 FAX: (605) 339-4106
www.dakotadigital.com
dakotasupport@dakotadigital.com

©Copyright 2010 Dakota Digital Inc.

Free Manuals Download Website

<http://myh66.com>

<http://usermanuals.us>

<http://www.somanuals.com>

<http://www.4manuals.cc>

<http://www.manual-lib.com>

<http://www.404manual.com>

<http://www.luxmanual.com>

<http://aubethermostatmanual.com>

Golf course search by state

<http://golfingnear.com>

Email search by domain

<http://emailbydomain.com>

Auto manuals search

<http://auto.somanuals.com>

TV manuals search

<http://tv.somanuals.com>