



OWNER'S MANUAL
GUIDE D'UTILISATION

Model • Modèle
DBD5L

CAUTION:

Read and follow all safety rules
and operating instructions
before first use of this product.

PRÉCAUTION :

Veuillez lire attentivement les
consignes de sécurité et les
instructions d'utilisation avant
l'utilisation initiale de ce
produit.



Beverage Dispenser

Owner's Manual

Table of Contents 3



Distributeur de Breuvage

Guide d'utilisation

Table des matières22

WELCOME

Welcome to the Danby family. We're proud of our quality products and we believe in dependable service.

easy-to-use manual and you'll hear it in the friendly voices of our consumer service department.

Tel: 1-800-26- **Danby**[®]
(1-800-263-2629)

experience these values each time you use your Beverage Dispenser. That's important, because your new Beverage Dispenser will be part of your family for a long time.

Best of all, you'll

You'll see it in this

Start Here!...Before using **your Beverage Dispenser**

Write down the model and serial numbers here. They are on a label located on the back of the cabinet.

Staple your receipt to this page. You will need it to obtain service under warranty.

Model number **DBD5L**

Serial number _____

Date purchased _____

NEED HELP?

Before you call for service, there are a few things you can do to help us serve you better...

help you use and maintain your beverage dispenser properly.

If you received a damaged appliance
Immediately contact the dealer (or builder) that sold you the appliance.

This section helps you solve common problems that might occur.

If you do need service, you can relax knowing help is only a phone call away.

Tel: 1-800-26- **Danby**[®]
(1-800-263-2629)

Read this manual
It contains instructions to

Save time and money
Check the section titled "Before you call for Service" before calling.

TABLE OF CONTENTS

Important Safety Information		4
Grounding Instructions	4	
Handling Beer Kegs	4	
Safety Precautions	5	
Important Notice	5	
Features		6
Product Features & Accessories	6	
Parts & Accessories	7	
Setting Up Your Beverage Dispenser		8
How the Beverage Dispenser Works	8	
Disposal of Packaging	8	
Location	9	
Installation Instructions	9	
Connecting the Beverage Dispenser		10
Preparing a Standard 5 Liter Mini Keg	10	
Getting the Dispenser Ready	11	
Turning on the Air Pressure	12	
Preparing the Beverage Container	13	
Connecting Container to Dispenser	14	
Operating the Beverage Dispenser		15
Switching On the Power	15	
Cooling the Beverage Dispenser	15	
Using Dispensing Tap, Shelf Life of Mini Kegs	16	
Depressurize & Disconnect Keg or Container	17	
Care and Cleaning		18
Cleaning Outside, Inside, Parts & Accessories	18	
Defrosting & Maintaining Dispenser	19	
Before You Call For Service		20
Troubleshooting	20	
Warranty	21	

IMPORTANT SAFETY INFORMATION

READ ALL SAFETY INFORMATION BEFORE USING

GROUNDING INSTRUCTIONS

FOR YOUR SAFETY...
Pertaining to the risk of Fire, Electric Shock or Injury to Persons.

- This appliance must be grounded. In the event of a malfunction or breakdown, grounding will reduce the risk of electric shock by providing a path of least resistance for electric current.
- This appliance is equipped with a power cord having an equipment grounding conductor and grounding plug. The plug must be plugged into an appropriate wall outlet that is installed and grounded in accordance with all existing local codes and ordinances.
- Consult a qualified electrician or serviceman if the grounding instructions are not clearly understood, or if doubt exist as to whether your electrical wall outlets are properly grounded.

- This appliance should be serviced only by a qualified electrical technician. Do not operate if the power cord or plug has been damaged, or if the appliance has been damaged or dropped.
- Do not store or use this appliance outdoors. Do not use this product near water. Do not immerse cord or plug in water. Keep appliance away from heated surfaces and open flames.
- Unplug this appliance before cleaning

SAFETY PRECAUTIONS

When Handling Beer Kegs

- 1) Please observe the instructions and safety information located on the keg
- 2) Never shake the keg
- 3) Once opened, leave the keg in the dispenser or refrigerator so it remains cold
- 4) Do not freeze the keg or place in the freezer. The beer will be damaged if the keg is frozen
- 5) Do not expose the keg to direct sunlight or temperatures above 86°F (30°C), as there is a risk of high pressure build-up
- 6) As with all beer purchases, always check the best-before date.
NOTE: Keeping the beer keg cold does not mean the beer keeps longer!
- 7) New and unopened kegs keep best when stored at a steady temperature of 37°F (3°C)-46°F (8°C)

Please Save These Instructions!

IMPORTANT SAFETY INFORMATION

SAFETY PRECAUTIONS

- This appliance must be connected to a properly grounded electrical outlet (see “*Grounding Instructions*” on page 4)
- Do not operate this appliance if it has a damaged power cord or plug.
- Do not use this product near water, for example: in a wet basement, near a swimming pool or sink.

- Do not defrost this appliance using other electric appliances (i.e. hair dryer) and never attempt to scrape or remove ice/frost with sharp objects.
- Always disconnect the appliance from the power supply before cleaning and/or attempting repairs/servicing.

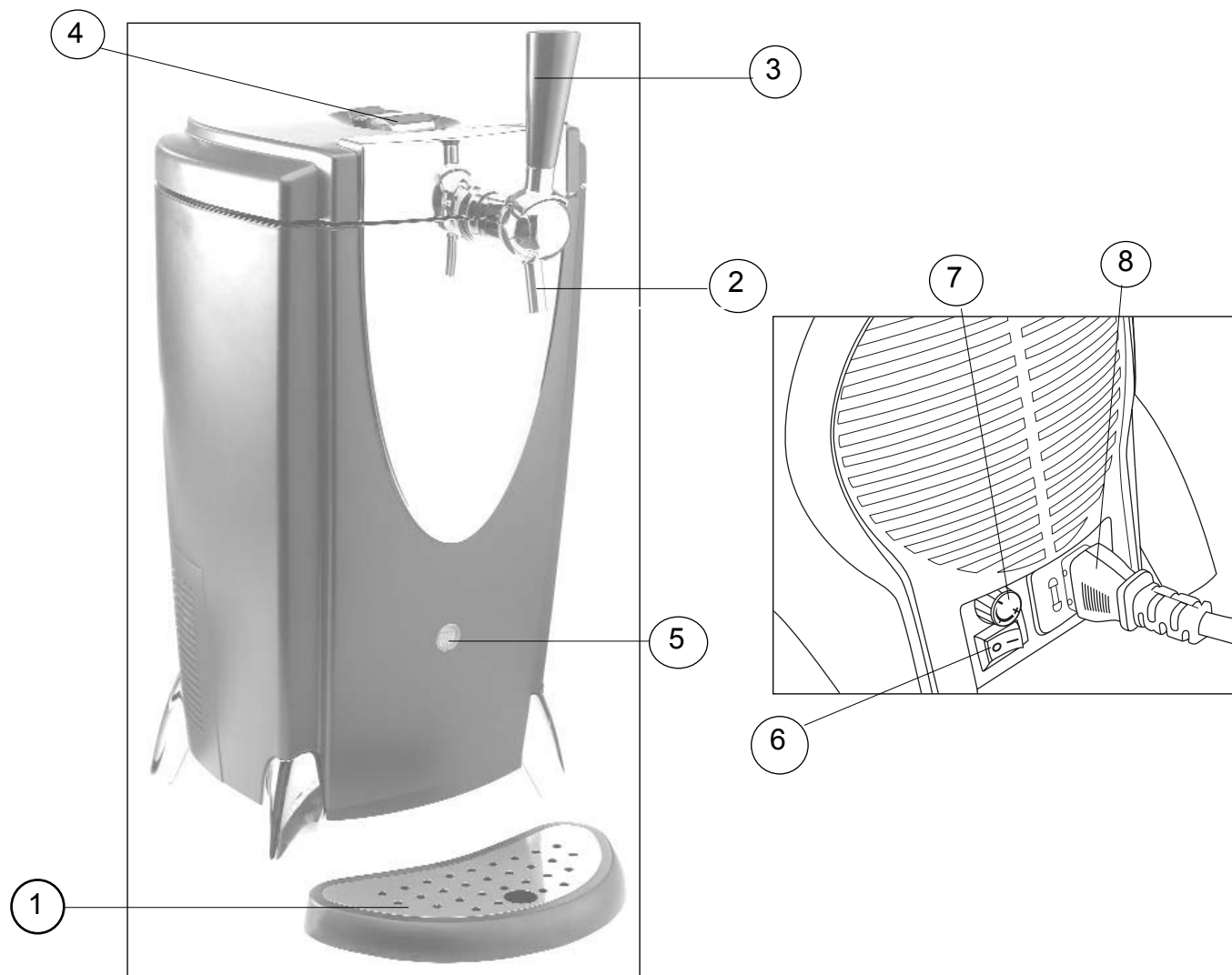
WARNING: Repairs should be performed by qualified service personnel only.

IMPORTANT NOTICE

Alcohol is easily available with Danby's new Beverage Dispenser, however, it is not intended to be available to people under the legal age to consume alcohol. *Danby does not assume liability for the unlawful use or consumption of alcohol.*

PLEASE DRINK RESPONSIBLY AND PLEASE DON'T DRINK AND DRIVE!

PRODUCT FEATURES AND ACCESSORIES



1. DRIP TRAY

2. TAP

3. TAP HANDLE

4. HANDLE TO OPEN DISPENSER LID

5. TEMPERATURE DISPLAY

6. ON /OFF SWITCH

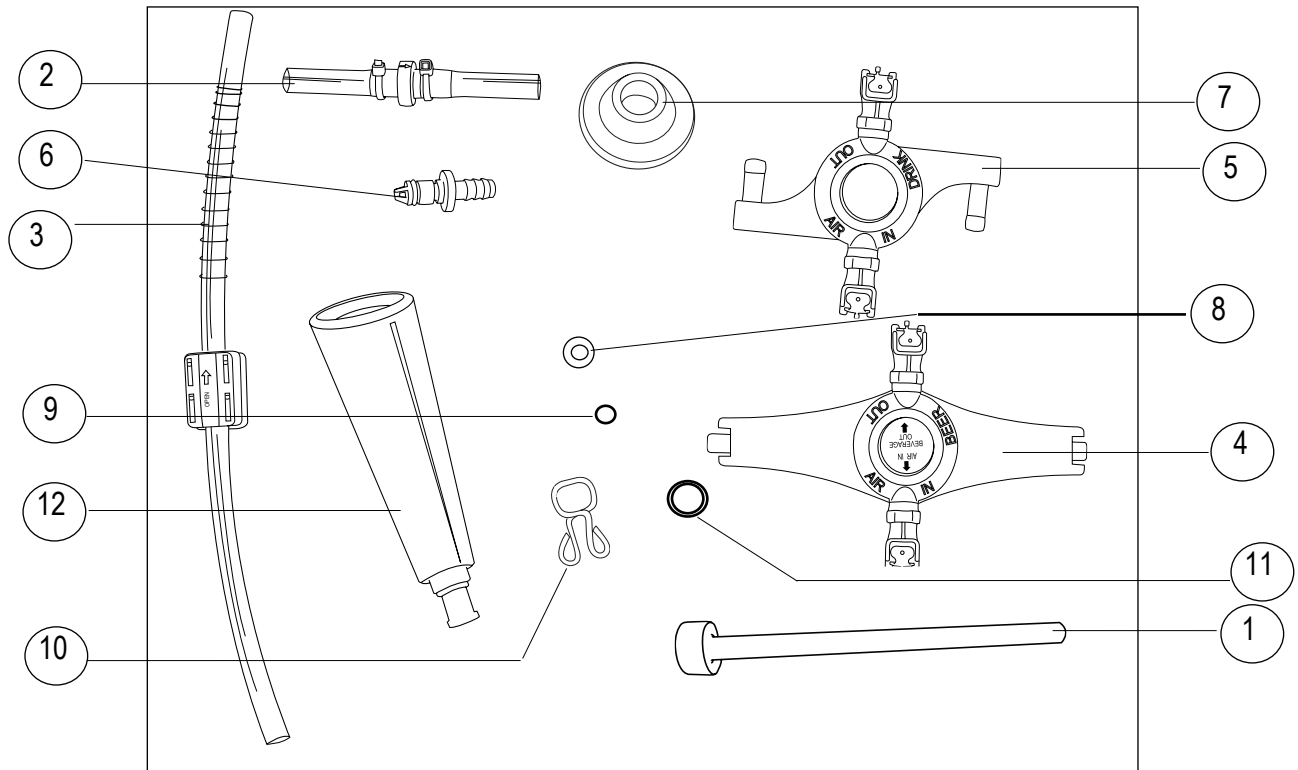
7. TEMPERATURE CONTROL

8. POWER SUPPLY CORD

PARTS AND ACCESSORIES

INCLUDED ACCESSORIES

Remove and inspect that all accessories supplied with this unit are present and in good condition. In the event any of the accessories are missing and/or not in good condition, please call Danby TOLL FREE at the number listed below to speak with one of our Customer Service Representatives.



1. 1 YELLOW RISING TUBE
2. 2 AIR CONNECT TUBES
3. 3 DISPENSING TUBES with Black Stoppers
4. YELLOW ADAPTER for Standard 5 Liter Mini Keg
5. WHITE ADAPTER for Beverage Container
6. 2 YELLOW and 2 WHITE MALE CONNECTORS
7. 1 BLACK RUBBER SEAL
8. Clear "O-rings" for YELLOW and WHITE MALE CONNECTORS
9. Black "O-rings" for TAP HANDLE
10. METAL CLIPS
11. Spare "O-rings" for YELLOW RISING TUBE
12. TAP HANDLE
13. 5 Liter Polycarbonate Beverage Container (not shown)

For more details on purchasing any of the above listed accessories, please contact our customer service department at (1-800-263-2629)

SETTING UP YOUR BEVERAGE DISPENSER

IMPORTANT

- Ensure that all included accessories are present and in good condition (see *'Parts & Accessories'* on page 7).
- Make sure you have read and understood all important safety information on pages 4-5.

How the Beverage Dispenser Works.

This appliance is a beverage cooler and dispenser. Standard 5 liter mini kegs, and the Beverage Container are cooled to the desired temperature in the cooling compartment of the appliance.

With Standard 5 Liter Mini Kegs & 5L Beverage Container

The beverage dispenser is compatible with different adapters that work with standard 5 liter mini kegs and the provided beverage container. These adapters ensure that the kegs and container as specified in this manual can be used with the unit.

This appliance uses compressed air to control the pressure of the standard mini kegs or the beverage container which allows it to dispense the beverage. Air is pumped into the standard mini keg or the container to force the beverage out and into your glass.

Important Notice: Sanitation

Handling mini kegs, containers, tubes, adapters, and pipes which come in contact with beverages requires special care and attention to sanitation. It is important to clean the tubes, adapters, pipes, and the beverage dispenser itself thoroughly before and after each use.

Please comply with the following principles:

- Clean all parts of the appliance that come in contact with beverages thoroughly after each use (refer to *"Care and Cleaning"* on page 18).
- If in doubt, clean all parts before using.
- Clean all parts when changing a mini keg or the container.

DISPOSAL OF PACKAGING

- Please dispose of all old and unused appliances in accordance with your local ordinances.

WE CARE ABOUT THE ENVIRONMENT

SETTING UP YOUR BEVERAGE DISPENSER

LOCATION OF THE BEVERAGE DISPENSER

Find a suitable area for the dispenser. Do not place the dispenser outside, in direct sunlight, or in any other location where the dispenser will be exposed to water or other harsh conditions. The dispenser should not be placed in environments where the ambient temperature drops below 65°F (18°C) or goes above 85°F (29°C). The ideal ambient temperature is 72° (22°C).

INSTALLATION INSTRUCTIONS

The beverage dispenser is a free standing appliance, but can be installed next to counters and walls- but do not place under a counter. For the dispenser to function properly, it is important to have a clearance of at least 4" inches (101.6 mm) from the back of the dispenser to any surface next to it. Also, there must be a clearance of at least 2" inches (50.8 mm) from the sides of the dispenser to any surface next to it.

INSERTING THE TAP HANDLE AND DRIP TRAY

After the dispenser is in a suitable location, it is time to insert the tap handle into the dispensing tap and prepare the drip tray.

1. Insert the tap handle by lining up the metal tabs on the handle with the grooves in the dispensing tap. Pressing down firmly, turn the handle clockwise until the handle locks into place (See *Figure 1*).
2. Remove the protective foil from the drip plate tray, and position the tray in front of the dispenser (See *Figure 1*)

POWER

CAUTION: DO NOT PLUG THE DISPENSER INTO AN OUTLET UNTIL A 5 LITER MINI KEG OR THE CONTAINER IS PROPERLY CONNECTED.

After connecting a keg or the container to the unit, please refer to "*Switching on the Power*" on page 15 for further instructions.



Figure 1

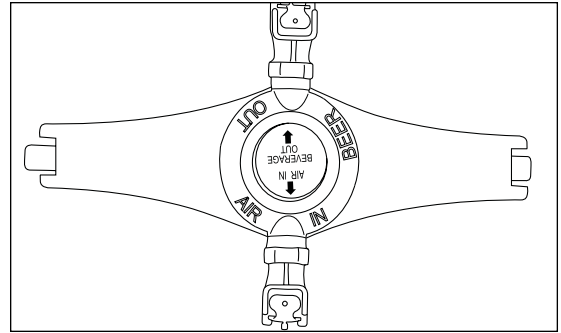
CONNECTING THE BEVERAGE DISPENSER

Preparing A Standard 5 Liter Mini Keg

USING THE YELLOW ADAPTOR

To connect the Yellow Adapter to a standard 5 liter mini keg, follow these instructions.

NOTE: MAKE SURE ALL COMPONENTS ARE PROPERLY SANITIZED PRIOR TO EACH USE.



PREPARING THE STANDARD 5 LITER MINI KEG

1. Screw the YELLOW RISING PIPE into the YELLOW ADAPTER. Make sure there is an o-ring inside the RISING PIPE. (See *Figure 2*)
2. Remove the plug from the top of the keg tap to ventilate the keg. This releases the pressure build-up in the top of the keg. The ventilation openings are designed differently per keg type. Check the top ventilation opening to make sure the opening is wide enough for the YELLOW RISING PIPE. If there are parts in the way, such as a plastic edging, make sure it is removed. It may be necessary to use a screwdriver or pliers to do so.
3. Insert the YELLOW RISING PIPE (attached to the YELLOW ADAPTER) into the top ventilation opening of the mini keg. (See *Figure 3*)
4. If the YELLOW RISING PIPE does not fit into the tap, you may be required to remove the plastic seal completely from the ventilation tap using pliers. If this is required, insert the provided BLACK RUBBER SEAL (See "*Parts & Accessories*" on page 7) into the keg before inserting the RISING PIPE. This will create a tight seal between the keg and the RISING PIPE. Keep a cloth or towel on hand, as the beverage could spill.
5. Make sure the YELLOW ADAPTER fits completely down on top of the mini keg and the sides of the ADAPTER snap and lock into place around the edges of the mini keg. (See *Figure 3*)

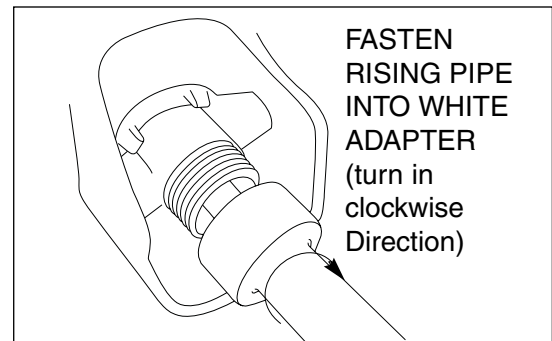


Figure 2

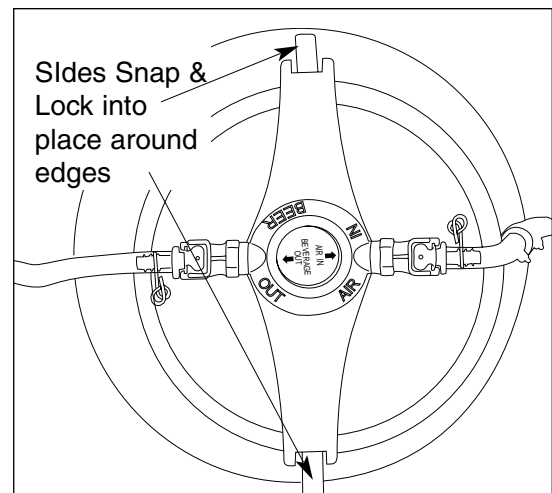


Figure 3

CONNECTING THE BEVERAGE DISPENSER

Preparing A Standard 5 Liter Mini Keg (cont'd)

USING THE YELLOW ADAPTER (continued)

DISPENSING TUBE FOR YELLOW ADAPTER

The DISPENSING TUBE will be pre-assembled, but if assembling is required please follow these instructions:

DISPENSING TUBE WITH BLACK STOPPER
YELLOW MALE CONNECTOR
METAL CLIP

8. Place the CLIP over the end of the DISPENSING TUBE

9. Insert the YELLOW MALE CONNECTOR into the opening of the end with the CLIP. Attach the CLIP so it seals the MALE CONNECTOR into place under the TUBE. (See *Figure 4*)

10. When finished, take the other end of the DISPENSING TUBE (the side with nothing attached) and insert it into the opening of the tap. (See *Figure 5*)

11. Pull the TAP HANDLE down so the DISPENSING TUBE fits through the tap. To do this, you may have to push and thread it through. Make sure the BLACK STOPPER fits securely in the inlet just before entering the tap. (See *Figure 5*)

12. The DISPENSING TUBE needs to go all the way through the spout. The TUBE should be slightly exposed below the bottom of the tap. (See *Figure 5*)

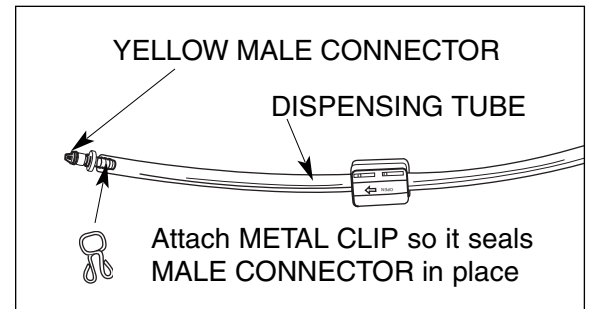


Figure 4

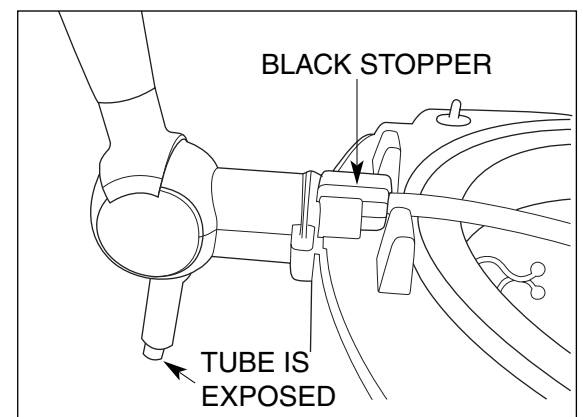


Figure 5

CONNECTING THE BEVERAGE DISPENSER

Preparing A Standard 5 Liter Mini Keg (cont'd)

USING THE YELLOW ADAPTER (continued)

CONNECTING THE MINI KEG TO THE DISPENSER

13. Insert the 5 liter mini keg (with the ADAPTER connected) into the dispenser. Insert the YELLOW MALE CONNECTOR attached to the AIR-CONNECT TUBE into the AIR IN opening of the YELLOW ADAPTER (See *Figure 6*). Make sure you hear a "locking click"

14. Take the YELLOW MALE CONNECTOR attached to the DISPENSING TUBE and insert that end into the BEVERAGE OUT opening of the YELLOW ADAPTER (See *Figure 6*). Make sure you hear a "locking click"

15. Make sure there are no kinks in the TUBES. There needs to be an even air flow from the unit to the keg and even liquid flow from the keg to the tap. Also make sure the keg is centered in the cooling compartment of the unit. This ensures even cooling throughout.

TURNING ON THE AIR PRESSURE

16. Before closing the lid of the dispenser, you need to turn on the air pressure which will generate the power to dispense the beverage.

17. In the upper left hand corner of the under side of the lid, there is a black switch, labeled AIR ON or AIR OFF, which can be moved up or down. Move the switch to the AIR ON position (See *Figure 7*). Once you close the lid the power will be activated to turn the air pressure on.

18. When the dispenser is not being used, make sure the switch is in the AIR OFF position.

CLOSE THE LID

To turn on the power, please refer to "*Switching on the Power*" on page 15

To connect dispensing tube to Yellow adapter

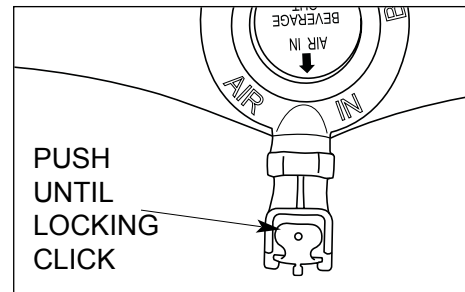


Figure 6

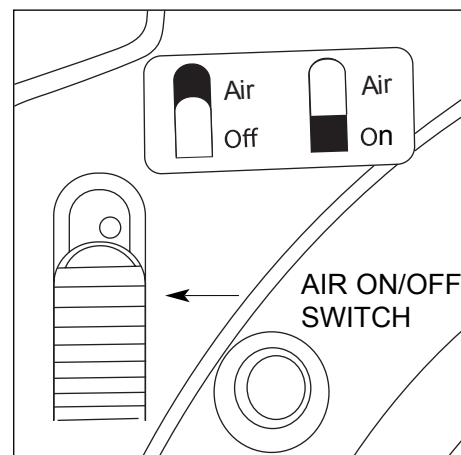


Figure 7

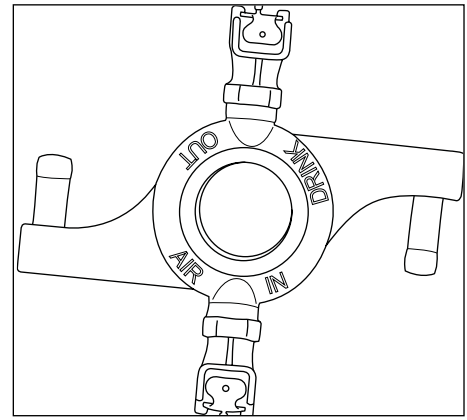
CONNECTING THE BEVERAGE DISPENSER

Preparing the Beverage Container

USING THE WHITE BEVERAGE CONTAINER ADAPTER

To connect the WHITE ADAPTER to the 5L Beverage Container, follow these instructions.

NOTE: MAKE SURE ALL COMPONENTS ARE PROPERLY SANITIZED PRIOR TO EACH USE.



PREPARING THE BEVERAGE CONTAINER

To prepare the Beverage Container, please follow these instructions:

BEVERAGE CONTAINER

WHITE ADAPTER

YELLOW RISING PIPE

AIR-CONNECT TUBE

DISPENSING TUBE WITH BLACK STOPPER

1. Fill the beverage container with a beverage of your choice. Make sure to fill only to the lower edge of the handles. Fasten the RISING PIPE securely into the WHITE ADAPTER (See *Figure 12*).

GETTING THE CONTAINER READY

2. Insert the RISING PIPE and the WHITE ADAPTER into the container. Position the inlet grooves on the ADAPTER over the handles. Make sure it is securely fastened (See *Figure 13*).

SETTING UP THE DISPENSING TUBE

3. Pull the tap handle completely down and push the DISPENSING TUBE into the tap. Make sure the BLACK STOPPER fits securely in the inlet just before the tap (See *Figure 14*).

4. Make sure the DISPENSING TUBE is slightly exposed below the tap (See *Figure 14*).

SETTING UP THE AIR CONNECT TUBE

5. Connect the AIR-CONNECT TUBE to the AIR OUT valve located in the back of the unit. Place the CLIP over the valve to ensure an air-tight seal.

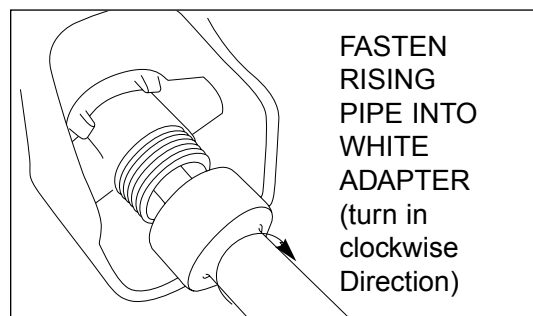


Figure 12

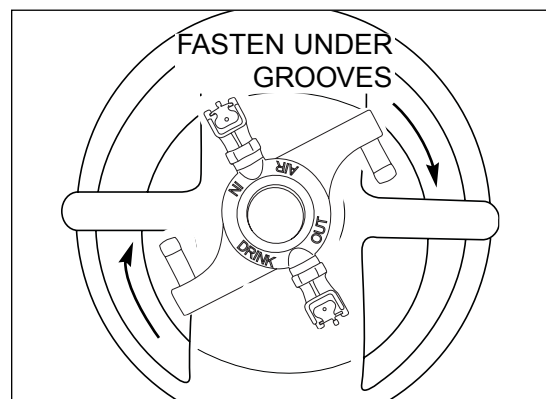


Figure 13

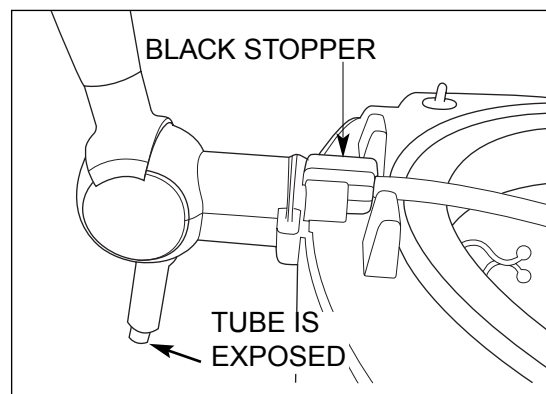


Figure 14

CONNECTING THE BEVERAGE DISPENSER

Preparing The Container

USING THE WHITE ADAPTER (continued)

CONNECTING THE CONTAINER TO THE BEVERAGE DISPENSER

6. Insert the container into the center of the unit.
7. Attach the AIR-CONNECT TUBE to the "AIR IN" valve in the WHITE ADAPTER (See *Figure 15*).
8. Attach the DISPENSING TUBE to the "DRINK OUT" valve in the WHITE ADAPTER (See *Figure 15*).
9. Make sure there are no kinks in the TUBES. There needs to be an even flow from the unit to the container and an even liquid flow from the container to the tap.

Also, make sure the container is centered in the cooling compartment of the unit. This ensures even cooling throughout.

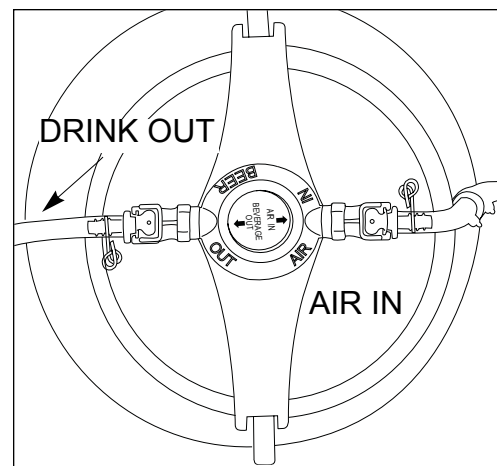


Figure 15

TURN ON THE AIR PRESSURE

10. Turn on the air pressure by moving the switch to the ON position (See *Figure 16*).

CLOSE THE LID

To turn on the power, please refer to "*Switching on the Power*" on page 15.

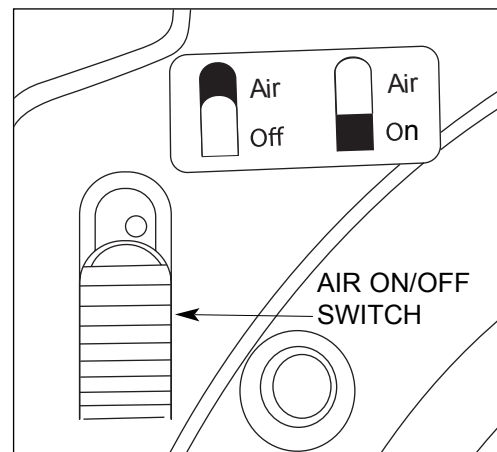


Figure 16

OPERATING THE BEVERAGE DISPENSER

Switching On The Power

CAUTION: Switch on the beverage dispenser only when the mini keg or the container is properly connected (See "Connecting the Beverage Dispenser" on pages 10-14).

Make sure to clean up any liquids that have spilled in and around the beverage dispenser.

1. Make sure the beverage dispenser is properly connected to a mini keg or to the container.
2. Close the lid.
3. Insert the Power cable into a properly grounded 3 prong outlet (See "Important Safety Information" on page 4).
4. Press the ON /OFF switch located on the bottom panel in the back of the unit (See Figure 17).
5. Make sure the air pressure switch is in its proper setting. If necessary, refer to the AIR PRESSURE sections in "Connecting the Beverage Dispenser" on pages 10-14.

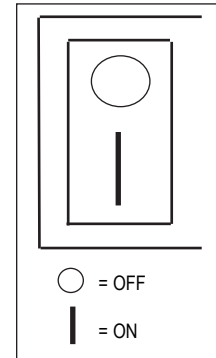


Figure 17

Cooling the Beverage Dispenser

It takes approximately 15 hours for the beverage dispenser to chill a standard 5 liter mini keg from normal room temperature of 72°F (22°C) to a desired drinking temperature of 41°F (5°C).

1. To cool the beverage dispenser, use the temperature regulator located in back of the unit and next to the power switch.
2. To make the beverage dispenser warmer, turn the temperature adjustor to the + direction. To make the dispenser cooler, turn the temperature adjustor to the - direction (See Figure 18).

Adjusting the internal temperature with the temperature adjustor will have a gradual effect on the temperature of the beverage. It should take at least 2-3 hours for the beverage dispenser temperature to reach the desired temperature when a change is being made.

The internal temperature of the dispenser is displayed on the front of the unit.

NOTE: The temperature displayed on the front of the dispenser is measured by the temperature on the outside of the keg or container. Consequently, the displayed temperature may sometimes vary from the actual temperature of the beverage. This depends on the length of time and temperature at which the keg and container were chilled.

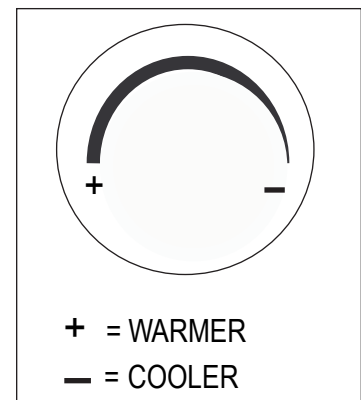


Figure 18

Temperature Conversion Chart

°C	1	2	3	4	5	6	7	8	9	10	11	12	13	14	15	16	17	18
°F	34	36	37	39	41	43	44	46	48	50	52	54	55	57	59	61	63	64

OPERATING THE BEVERAGE DISPENSER

Using The Dispensing Tap

You can begin dispensing your beverage immediately after the 5 liter mini keg or the container has been connected to the dispenser. However, it is recommended that you wait until the beverage has reached the desired set temperature.

Beer, in particular, can foam excessively if the temperature is too high.

NOTE: Do not place glasses on top of the dispenser. It is an uneven surface, so glasses may fall.

1. Take a clean glass and hold it at a slight 45° degree angle directly under the tap

NOTE: To ensure proper cleanliness, make sure the tap is not immersed in the beverage being dispensed into the glass. Beer residue on the tap can impair foam formation.

2. Pull the tap handle all the way down and fill the glass. Dispensing with the tap partially open can cause excessive foam.

3. Gently release the tap handle to stop dispensing.

Shelf Life Of 5 Liter Mini Kegs and Container

Opened 5 liter mini kegs have a shelf life of 24 hours unless otherwise stated by your beverage manufacturer on the keg. Read all instructions on the keg carefully, or if in doubt, contact the manufacturer directly. Do not keep an opened 5 liter mini keg in the dispenser (even when switched ON) longer than 24 hours, for which you are to follow their noted shelf life instructions. After that length of time, the beverage will go flat.

Do not store beverages in the beverage container longer than 24 hours.

Always leave the dispenser switched ON when storing a mini keg or the beverage container inside the appliance. This ensures proper cooling.

OPERATING THE BEVERAGE DISPENSER

Depressurize To Disconnect the Mini Keg & the Container

It is very important to depressurize the mini keg or container when you are finished using them. If the pressure is not released, remaining high pressure could lead to spraying or spilling. Follow these directions to ensure proper depressurization.

NOTE: 5 liter mini kegs are empty when only foam is being dispensed from the beverage dispenser. If necessary you can also disconnect partially full mini kegs.

1. Switch OFF the dispenser.
2. To depressurize the keg or container, pull down the tap handle to dispense all additional beverage which may be in the unit due to the pressure (ie. beverage that is in the RISING PIPE and ADAPTER). When the dispensing beverage stops, gently release the tap back to its resting position.
3. Open the lid of the dispenser. If not already done, turn the air pressure switch to the AIR OFF position.
4. Disconnect the tubes while holding the adapter in place:

YELLOW ADAPTER - First, pull out the MALE CONNECTOR attached to the AIR-CONNECT TUBE from the ADAPTER, then pull out the MALE CONNECTOR attached to the DISPENSING TUBE from the ADAPTER. Then, push down on the metal press tabs (See *Figure 19*).

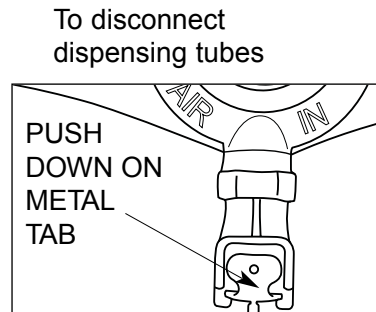


Figure 19

WHITE BEVERAGE CONTAINER ADAPTER- Pull the DISPENSING TUBE off of the DRINK OUT pipe of the ADAPTER. Then, pull off the AIR-CONNECT TUBE from the AIR IN pipe of the ADAPTER. It may be necessary to pull hard.

5. Once the TUBES have been disconnected from the ADAPTERS, pull the tap handle toward you. Dispense any unnecessary liquid from the DISPENSING TUBE, then pull the TUBE out of the tap.
6. Gently release the tap handle back to its resting position.
7. Remove the mini keg or container from the beverage dispenser.

8. To disconnect the ADAPTERS:

YELLOW ADAPTER: unclip the sides of the ADAPTER which cover the keg edges. Pull the ADAPTER and the RISING TUBE out of the keg. Unscrew the RISING PIPE and the ADAPTER.

WHITE BEVERAGE CONTAINER ADAPTER- push in the locking mechanisms on either side of the ADAPTER and pull it off of the container. It may be necessary to pull firmly due to air pressure build-up. Pull out the RISING PIPE from the ADAPTER.

9. Thoroughly wash and clean the dispenser and all parts used.

NOTE: If you want to store the mini keg or container, see "*Shelf Life of Mini Kegs*" on page 16

CARE AND CLEANING

CAUTION: DO NOT USE A DISHWASHER TO CLEAN THE BEVERAGE DISPENSER, SPARE PARTS OR ACCESORIES.

NOTE: Handling beverages requires very special attention to cleanliness and hygiene. Clean the beverage dispenser, spare parts, and accesories thoroughly after each use.

CLEANING THE OUTSIDE OF THE BEVERAGE DISPENSER

Always unplug the beverage dispenser before cleaning. Do not use a hard brush or sponge. Use a small amount of soap in water with a soft cloth. To dry, use a dry soft cloth or towel.

Never immerse the beverage dispenser in water or other liquids. Do not let water or liquid get into the casing of the unit. Never use very hot water.

Remember to rinse out the drip tray if it should be filled during use, and clean thouroughly after each use.

CLEANING THE INSIDE OF THE BEVERAGE DISPENSER

Soak up all beverage or liquids that have spilled in the cooling compartment; Clean the cooling compartment with soapy water and a soft cloth.

Clean and rinse the tap with a soft cloth and water

CLEANING THE SPARE PARTS AND ACCESORIES

Thoroughly clean all TUBES, ADAPTERS, and CONNECTORS with light soap and warm water. For the ADAPTERS to be properly washed and rinsed, the CONNECTORS and TUBES need to be attached. This will provide access to inaccessible areas within the ADAPTERS. Make sure to remove the "O-rings" in the ADAPTERS and CONNECTORS to clean inaccessible areas. Rinse thoroughly under warm flowing water to remove any residual soap and beverage residue.

Repeat if necessary.

Air dry all washed parts and accessories for 24 hours.

NOTE: Do not pre-install the accessories. Store the accessories in a separate box or bag outside of the beverage dispenser.

CARE AND CLEANING

DEFROSTING THE BEVERAGE DISPENSER

If frost builds up in and around the beverage dispenser, that means there is too much humidity near the unit. Move the unit to a less humid location.

NOTE: DO NOT USE A HEATER OR ANY SHARP UTENSILS TO REMOVE FROST OR CLEAN THE BEVERAGE DISPENSER

Unplug the beverage dispenser and, once the frost melts, carefully wipe down the outside or inside of the unit. When dry, plug the unit back in.

MAINTAINING THE UNIT

Empty the drip tray when necessary and clean it with a damp cloth

Occasionally wipe the outside of the beverage dispenser with a damp cloth to ensure cleanliness

IN THE EVENT OF A POWER FAILURE

In the event of a power failure, do not remove the cover of the beverage dispenser too frequently to ensure the internal temperature remains the same. A slight and gradual increase in temperature could have an effect on the temperature of the beverage.

If the ambient temperature is very hot, place the beverage dispenser in a cool environment.

BEFORE YOU CALL FOR SERVICE

TROUBLE SHOOTING

Problem	Possible Causes	What To Do
1) <i>The beverage dispenser is not cooling</i>	1) No power supply	1) Make sure the dispenser is plugged into a 3 prong outlet
	1a) Low voltage	1a) Make sure the dispenser is plugged into a proper 120V outlet
	1b) Blown fuse	1b) Change fuse. It is recommended that a qualified electrician change the fuse on the dispenser
2) <i>Beer or beverage is not being dispensed</i>	2) The mini keg or container is empty.	2) Change the keg or container.
	2a) The DISPENSING or AIR-CONNECT TUBE is pinched.	2a) Make sure the TUBES are not kinked when connected. If necessary, turn the keg in the dispenser to even out the TUBES.
	2b) The air pressure switch is in the AIR OFF position. 2c) Air is leaking.	2b) Switch the air pressure to the AIR ON position 2c) Make sure there is an air-tight seal between the keg and the RISING PIPE. Also, make sure the CONNECTORS and TUBES are properly attached and secured. If necessary, change the TUBES.
3) <i>The dispenser temperatre display is not illuminated</i>	3) No power	3) Make sure the dispenser is plugged into a 3 prong outlet.
	3a) The power switch remains in the OFF (O) position.	3a) Push the power switch to the ON (I) position.
4) <i>Excessive foam, spilling, or spraying occurs</i>	4) First glass	4) The first glass from a keg can have too much foam. This is normal.
	4a) The mini keg is not cold enough, or has been shaken.	4a) Always pre-chill the mini keg before tapping, and store keg where there is little or no movement for at least 24 hours before using to allow for chilling and rest.
	4b) The DISPENSING TUBE or AIR-CONNECT TUBE is leaking, or the ADAPTOR is not properly sealed.	4b) Make sure the TUBES are properly connected. If necessary, change the TUBES. Make sure the ADAPTOR is securely fastened to the mini keg. If necessary, re-connect.
	4c) Dispensing tap is not open enough	4c) Pull the tap handle completely down to ensure the tap opens up.
5) <i>The dispenser is making a humming noise</i>	5) The air pressure is turned off	5) The air pressure switch is turned to the ON position. This is normal. If not in use, turn to the OFF position.



LIMITED PRODUCT WARRANTY

This quality product is warranted to be free from manufacturer's defects in material and workmanship, provided that the unit is used under the normal operating conditions intended by the manufacturer.

This warranty is available only to the person to whom the unit was originally sold by Danby or by an authorized distributor of Danby, and is non-transferable.

TERMS OF WARRANTY

Plastic parts (ie. evaporator door, door rails, covers and trays are warranted for thirty (30) days only from purchase date, with no extensions provided.

Limited One (1) Year During the first year (1), any electrical parts of this product found to be defective, including any sealed system units, will be repaired or replaced, at warrantor's option, at no charge to the ORIGINAL purchaser. Consumable parts (ie. light bulbs) are not warranted or guaranteed for any length of time.

To obtain Service Contact your dealer from whom your unit was purchased, or contact your nearest authorized Danby service depot, where service must be performed by a qualified service technician. If service is performed on the unit by anyone other than an authorized service depot, or the unit is used for commercial application, all obligations of Danby under this warranty shall be at an end.

Nothing within this warranty shall imply that Danby will be responsible or liable for any spoilage or damage to food or other contents of this appliance, whether due to any defect of the appliance, or its use, whether proper or improper.

EXCLUSIONS

Save as herein provided, Danby Products Limited (Canada) or Danby Products Inc. (U.S.A.), there are no other warranties, conditions, representations or guarantees, express or implied, made or intended by Danby Products Limited or its authorized distributors and all other warranties, conditions, representations or guarantees, including any warranties, conditions, representations or guarantees under any Sale of Goods Act or like legislation or statute is hereby expressly excluded. Save as herein provided, Danby Products Limited (Canada) or Danby Products Inc. (U.S.A.), shall not be responsible for any damages to persons or property, including the unit itself, howsoever caused or any consequential damages arising from the malfunction of the unit and by the purchase of the unit, the purchaser does hereby agree to indemnify and save harmless Danby Products Limited from any claim for damages to persons or property caused by the unit.

GENERAL PROVISIONS

No warranty or insurance herein contained or set out shall apply when damage or repair is caused by any of the following:

- 1) Power Failure.
- 2) Damage in transit or when moving the appliance.
- 3) Improper power supply such as low voltage, defective house wiring or inadequate fuses.
- 4) Accident, alteration, abuse or misuse of the appliance such as inadequate air circulation in the room or abnormal operating conditions, (extremely high or low room temperature).
- 5) Use for commercial or industrial purposes.
- 6) Fire, water damage, theft, war, riot, hostility, acts of God such as hurricanes, floods etc.
- 7) Service calls resulting in customer education.

Proof of purchase date will be required for warranty claims; so, please retain bills of sale. In the event warranty service is required, present this document to our AUTHORIZED SERVICE DEPOT.

Warranty Service

Carry In

Danby Products Limited
PO Box 1778, 5070 Whitelaw RD, Guelph, Ontario, Canada N1H 6Z9
Telephone: (519) 837-0920 FAX: (519) 837-0449

Danby Products Inc.
PO Box 669, 101 Bentley Court, Findlay, Ohio, U.S.A. 45839-0669
Telephone: (419) 425-8627 FAX: (419) 425-8629

07/08

21



Model • Modèle
DBD5L

For service, contact your nearest
service depot or call:

1-800-26-**Danby**
1-800-263-2629)

to recommend a depot in
your area.

En cas de réparation, veuillez
contacter votre service
après-vente le plus près ou
communiquiez au:

1-800-26-**Danby**
1-800-263-2629)

pour connaître le service
après-vente le plus proche.

Beverage Dispenser

The model number can be found on the serial plate located on the back panel of the unit.

All repair parts available for purchase or special order when you visit your nearest service depot. To request service and/or the location of the service depot nearest you, call the TOLL FREE NUMBER.

When requesting service or ordering parts, always provide the following information:

- Product Type
- Model Number
- Part Description

Distributeur de Breuvage

Le numéro du modèle se trouve sur la plaque d'identification située sur le panneau arrière de l'appareil.

Il est possible d'acheter les pièces de rechange ou de les obtenir par commande spéciale en vous rendant à votre service après-vente le plus proche. Pour effectuer des réparations ou obtenir l'adresse du service après-vente le plus proche, veuillez composer le NUMÉRO SANS FRAIS.

Pour effectuer des réparations ou commander des pièces de rechange, veuillez donner les renseignements suivants :

- Type de modèle
- Numéro du modèle
- Description des pièces

Free Manuals Download Website

<http://myh66.com>

<http://usermanuals.us>

<http://www.somanuals.com>

<http://www.4manuals.cc>

<http://www.manual-lib.com>

<http://www.404manual.com>

<http://www.luxmanual.com>

<http://aubethermostatmanual.com>

Golf course search by state

<http://golfingnear.com>

Email search by domain

<http://emailbydomain.com>

Auto manuals search

<http://auto.somanuals.com>

TV manuals search

<http://tv.somanuals.com>