

**Danby®**

OWNER'S MANUAL

MANUEL  
D'UTILISATION

MANUAL DEL  
PROPIETARIO

Model • Modèle • Modelo

**DDW396W**

**CAUTION:**

Read and follow all safety rules and operating instructions before first use of this product.

**PRÉCAUTION:**

Veuillez lire attentivement les consignes de sécurité et les instructions d'utilisation avant l'utilisation initiale de ce produit.

**ADVERTENCIA:**

Es importante que lea y observe todas las reglas de seguridad e instrucciones de operación antes de usar este producto por primera vez.

**Danby®**



**Danby®**

**COUNTERTOP DISHWASHER**

Table of Contents .....1

**Danby®**

**LAVE-VAISSELLE À COMPTOIR**

Table des matières .....11

**Danby®**

**LAVA PLATOS A CONTADOR**

Índice .....20



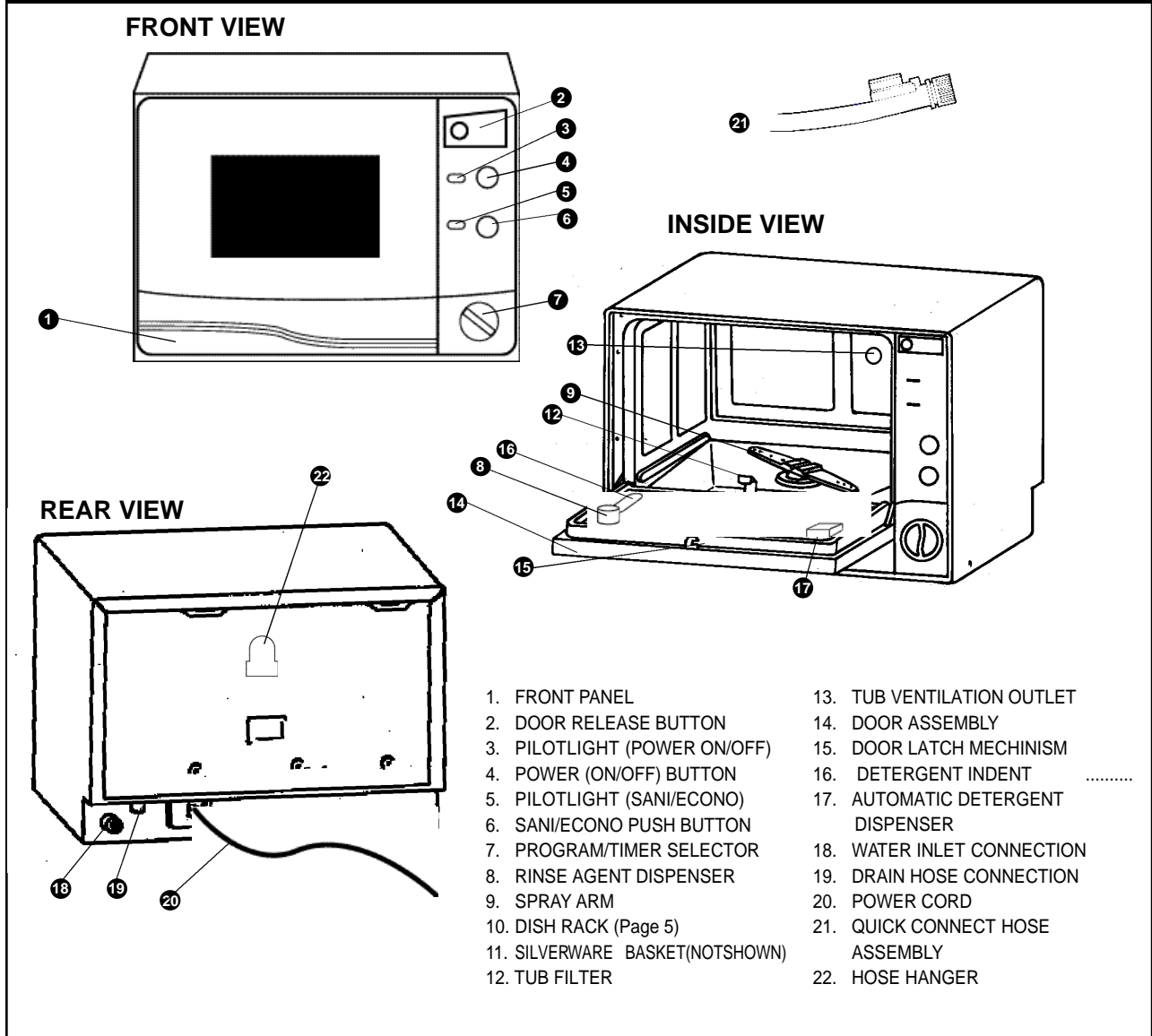
Danby Products Limited, Guelph, Ontario Canada N1H 6Z9  
Danby Products Inc., Findlay, Ohio USA 45840

DDW396W

## Table of Contents

	Page
Unit Parts Identification .....	1
Important Safety Instructions .....	2
Installation .....	3
Water Pressure .....	3
Connecting & Disconnecting Instructions .....	3
Care and Maintenance .....	7
Features .....	5
Operating Tips .....	6
Program Summary/Selection .....	6
Common Problems and Solutions .....	8
Warranty .....	9

## Unit Part Identification







## IMPORTANT SAFETY INSTRUCTIONS



### WARNING



When using your dishwasher, always follow basic safety precautions

- Read all instructions thoroughly before using the dishwasher.
- Use the dishwasher only for its intended function.
- Use only approved dishwasher detergents or wetting agents recommended for use in dishwashers. Keep them out of the reach of children.

#### When loading items to be washed:

- Locate sharp items so that they are not likely to damage the door seal or cause personal injury.
- Do not wash plastic items unless they are marked "dishwasher safe" or the equivalent.

#### For plastic items not so marked, check the manufacturer's recommendations.

- Do not touch the heating element (under tub filter) during or immediately after use.
- Do not operate your dishwasher unless all enclosure panels are properly in place.

- Do not tamper with controls.
- Do not abuse, sit on, or stand on the door or dish-rack of the dishwasher.
- To reduce the risk of injury, do not allow children to play near the dishwasher.
- Under certain conditions, hydrogen gas may be produced in a hot-water system that has not been used for two weeks or more. **HYDROGEN GAS IS EXPLOSIVE.** If the hot-water system has not been used for such a period, before using the dishwasher, turn on all hot-water faucets and let the water flow from each for several minutes. This will release any accumulated hydrogen gas. Hydrogen Gas is flammable, do not smoke or use open flame during this time.
- **IMPORTANT:** When removing/discarding your old dishwasher, always follow basic safety precautions; Remove the door from the cabinet. If it is not possible to remove the door, dismantle and/or disable the door lock mechanism. This will prevent children from being accidentally trapped inside.

## SAVE THESE INSTRUCTIONS



### WARNING



Instructions pertaining to the risk of fire, electric shock, or injury to persons.

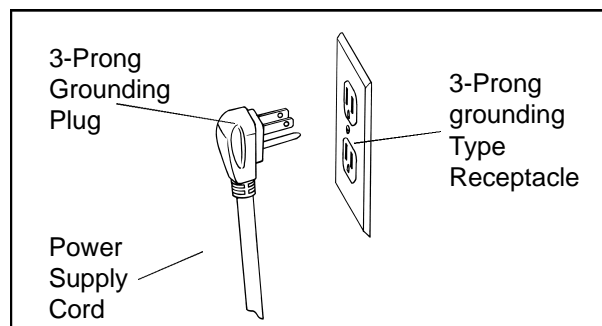
#### Electrical Instructions:

Electrical requirements to operate this appliance are 120 volts AC/60 Hz.

**For your personal safety, this appliance must be grounded.** This appliance is equipped with a power cord having a 3-prong grounded plug. To minimize possible shock hazards it must be plugged into a matching 3-prong grounded electrical outlet.

#### Grounding Instructions:

This appliance must be grounded. In the event of a malfunction or breakdown, grounding will reduce the risk of electric shock by providing a path of least resistance for electric current. This appliance is equipped with a cord having an equipment-grounding conductor and grounding plug. The plug must be connected to an appropriate outlet that is installed and grounded in accordance with all local codes and ordinances.



## Installation Instructions



### WARNING



**A hose that attaches to a separate sink spray faucet can burst if installed on the same water line as the dishwasher. If your sink has one, it is recommended the hose be disconnected.**

If your existing faucet adapter is not compatible with the "quick connect" water inlet hose assembly supplied;

- Install the faucet adapter (included with dishwasher) onto your faucet.
- If your faucet is inclusive of a "male" type (threaded) connection, insert the standard (2mm) rubber washer inside the faucet adapter.

- If your faucet is inclusive of a "female" type (threaded) connection, insert both rubber washers (2mm & 5mm) inside the faucet adapter.
- The minimum height clearance required to install this dishwasher on a counter with overhead (suspended) cupboards is 17-1/2" (44.4cm)
- Make sure the electrical outlet is within the required distance of the power cord. (length of power cord is 6 feet /182.8 cm).
- Make sure the water supply (connection) is within distance of the (water inlet & drain) hose assembly (length of the hose assembly is 5 feet / 152.4cm).
- The dishwasher must be installed on a "solid" level surface.
- To level the dishwasher, adjust the levelling screws (feet) under the dishwasher.

## Water Pressure

For best operating results, incoming water pressure should be between 15 and 120 pounds per square inch (psi). Incoming water supply for the dishwasher is controlled by a "pressure switch".

If household water pressure is low, the fill time of the dishwasher will be longer.

### FOR BEST CLEANING RESULTS:

Your dishwasher cleans by spraying a mixture of hot water and detergent against the soiled surface of the dishes. Water (under pressure) is pumped through a spray arm causing it to rotate, cascading jets of water over the dishes. The water is then drained through a (mesh) tub filter, (removing solid food particles) and recirculated back through the spray arm.

The soiled water is pumped out and replaced with fresh water at the end of each cycle.

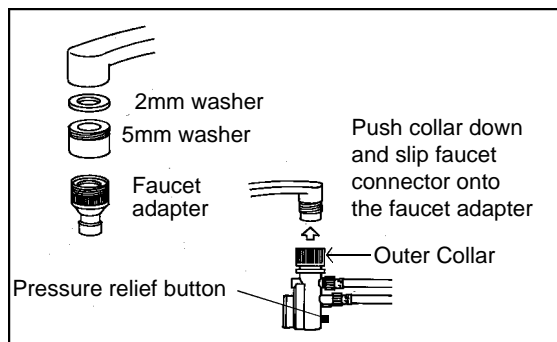
**NOTE:** The tub filter must be cleaned after each use.

Household hot water system should be set to operate at a minimum of 120°F (49°C).

## Connecting your Dishwasher

Your dishwasher comes equipped with a "quick connect" (fill & drain) hose assembly and faucet adapter.

- Install faucet adapter on faucet.
- Slowly open the faucet and check for leaks.
- Close faucet and repair any leaks using teflon tape.



- Connect the drain hose (small connection) to the drain port at the back of the dishwasher cabinet.
- Connect the hot water inlet hose (large connection) to the water inlet valve at the back of the dishwasher cabinet. (tighten firmly, but do not over-tighten to avoid damage to threads)
- Attach the hose assembly (quick-connect) to the faucet adapter, by gently pulling down the (outer) locking collar of the quick connect, while pushing the attachment upward onto the faucet adapter.
- When the quick-connect snaps onto the faucet adapter, release the locking collar. Check for a positive fit.
- Slowly open the water supply and check for leaks at all hose connections.
- If leaks are located, immediately close the water supply and repair faulty connection(s).

# **Danby® GARANTIA LIMITADA DEL PRODUCTO**

Se garantiza que este producto de calidad se encuentra libre de defectos de fabricación en material y mano de obra, siempre que la unidad se use bajo las condiciones de funcionamiento normales propuestas por el fabricante.

Esta garantía se encuentra disponible solamente para la persona a quien Danby o un distribuidor autorizado de Danby vendió originalmente esta unidad, y no se puede transferir.

## **TERMINOS DE LA GARANTIA**

Las partes plásticas (por ej. la puerta del evaporador, las guías de las puertas, las tapas y bandejas) están garantizadas por treinta (30) días solamente desde la fecha de compra, sin prórrogas.

El primer año Durante el primer año (1), todas las partes eléctricas de este producto que se encuentren defectuosas, se repararán o cambiarán, a opción del garante, sin cargo alguno para el comprador ORIGINAL.

Nada dentro de esta garantía implica que Danby será responsable por cualquier daño que hayan sufrido los contenidos puso en este aparato, ya sea debido a un defecto del aparato, o su uso, adecuado o inadecuado.

## **EXCLUSIONES**

Con excepción de lo que se especifica en la presente, Danby Products Limited (Canada) o Danby Products Inc. (U.S.A.), no existe ninguna otra garantía, condición o representación, explícita o implícita, hecha o pretendida por Danby Products Limited o sus distribuidores autorizados, y toda otra garantía, condición o representación, incluyendo toda garantía, condición o representación bajo la Ley de Venta de Artículos, u otra legislación o estatuto similar, queda por la presente excluida. Con excepción de lo que se especifica en la presente, Danby Products Limited (Canada) o Danby Products Inc. (U.S.A.) no será responsable de ningún perjuicio a personas o propiedad, incluyendo la unidad misma, de cualquier manera que se hubiese causado, ni de ningún perjuicio resultante del malfuncionamiento de la unidad y, con la compra de la unidad, el comprador por la presente acuerda indemnizar y exonerar a Danby Products Limited de todo reclamo por daños y perjuicios a personas o propiedad causados por la unidad.

## **ESTIPULACIONES GENERALES**

Ninguna garantía o seguro contenido en la presente o determinado por la presente corresponderá cuando el perjuicio o la reparación hayan sido causados por cualquiera de las siguientes causas:

- 1) Corte de corriente
- 2) Daño en tránsito o cuando se estaba moviendo el aparato
- 3) Corriente eléctrica inadecuada como baja tensión, conexiones defectuosas en la casa o fusibles inadecuados.
- 4) Accidente, alteración, abuso o mal uso del aparato como circulación inadecuada de aire en la habitación o condiciones de funcionamiento anormales.
- 5) Uso para fines comerciales o industriales.
- 6) Incendio, daños causados por agua, robo, guerras, insurrecciones, hostilidades, actos de fuerza mayor como huracanes, inundaciones, etc.
- 7) Llamadas para recibir servicio que resulte en la educación del cliente.

Prueba de la fecha de compra será necesaria para los reclamos sobre garantía; de modo que tenga la bondad de guardar la boleta de venta. En caso que se requiera un servicio bajo garantía, presente este documento a nuestro DEPARTAMENTO DE SERVICIO AUTORIZADO.

**Servicio de Garantía-Llevado al taller  
No es posible de incorporar este aparato  
en un espacio restringido.**

Danby Products Limited  
PO Box 1778, 5070 Whitelaw Road,  
Guelph, Ontario, Canada N1H 6Z9  
Telephone: (519) 837-0920 FAX: (519) 837-0449

12/01

Danby Products Inc.  
PO Box 669, 101 Bentley Court,  
Findlay, Ohio, U.S.A. 45839-0669  
Telephone: (419) 425-8627 FAX: (419) 425-8629

## Problemas y soluciones comunes del lavavajillas

PROBLEMA	CAUSA POSIBLE	SOLUCIÓN POSIBLE
<b>El lavavajillas no arranca</b>	<ul style="list-style-type: none"> <li>• El lavavajillas no recibe energía eléctrica.</li> <li>• La puerta no tiene el seguro.</li> <li>• El lavavajillas no está nivelado.</li> </ul>	<ul style="list-style-type: none"> <li>• Revise la conexión eléctrica. El disyuntor de fusible/circuito.</li> <li>• Cierre y ponga el seguro a la puerta.</li> <li>• Nivele la unidad.</li> </ul>
<b>La vajilla no está limpia</b>	<ul style="list-style-type: none"> <li>• Carga incorrecta.</li> <li>• Temperatura del agua que entra no está suficientemente caliente.</li> <li>• El brazo pulverizador no gira libremente.</li> <li>• No se usa la cantidad suficiente de detergente y/o el detergente es inadecuado.</li> <li>• Vajilla preparada en forma inadecuada.</li> <li>• La manguera de suministro de agua está doblada debido a una instalación incorrecta.</li> </ul>	<ul style="list-style-type: none"> <li>• Coloque la vajilla de manera que el raciado llegue a todas las superficies.</li> <li>• No sobre cargue el lavavajillas.</li> <li>• Aumentar la temperatura del agua.</li> <li>• Revise el brazo pulverizador para asegurarse de que no haya nada que obstruya su rotación. (Por ej. cubiertos)</li> <li>• Revise si la rejilla del filtro se ha desplazado y obstruye la rotación del brazo pulverizador.</li> <li>• Use más cantidad de detergente para lavavajillas.</li> <li>• No use detergente que esté endurecido o aglutinado.</li> <li>• Sólo use el detergente para lavavajillas recomendado.</li> <li>• Se debe quitar todo exceso de partículas de alimentos y los líquidos de la vajilla antes de cargar.</li> <li>• Elimine los dobleces en la manguera de suministro.</li> </ul>
<b>La cristalería se quíne o se rompe</b>	<ul style="list-style-type: none"> <li>• Carga incorrecta de la vajilla.</li> </ul>	<ul style="list-style-type: none"> <li>• No sobrecargue la rejilla. Sólo ponga copas en la parte superior, no sobre las patas de la rejilla. Las copas que se colocan en las patas de la rejilla no cuentan con el suficiente apoyo por lo que se pueden romper.</li> </ul>
<b>Queda agua en la parte inferior del lavavajillas</b>	<ul style="list-style-type: none"> <li>• Un pequeña cantidad de agua (en el sumidero) es normal.</li> <li>• Cantidad excesiva de agua: El ciclo no está completo.</li> </ul>	<ul style="list-style-type: none"> <li>• Esto es necesario para mantener la bomba cebada y se drena automáticamente al comienzo de cada ciclo.</li> <li>• Deje que el lavavajillas complete el ciclo.</li> </ul>



If you are unable to effect repairs yourself.  
Please call our **CUSTOMER HELP LINE**  
**"1 800 26 DANBY"**  
and ask for assistance.

**WARNING**

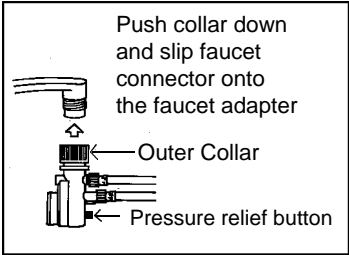
Once the dishwasher is connected and the water supply line opened (even if closed immediately thereafter) the water inlet hose is pressurized.

**WARNING**

**FAILURE TO RELIEVE WATER LINE PRESSURE BEFORE DISCONNECTING THE HOSE ASSEMBLY FROM THE FAUCET, WILL RESULT IN BACK-PRESSURE OVER-SPRAY. NOTE: THE TEMPERATURE OF INCOMING WATER IN THE LINE CAN BE VERY HOT AND BACK PRESSURE OVER-SPRAY CAN CAUSE SEVERE BURNS AND/OR SCALDING.**

**WARNING**

To relieve water pressure from inside the inlet hose. Make sure the water line (faucet) is closed. Press and hold the "red" pressure relief button on the quick connect assembly, until the flow of water stops.



**CAUTION**

**DO NOT LET CHILDREN DISCONNECT THE DISHWASHER.** Close supervision of children is always important around appliances.

### Disconnecting your Dishwasher

- Close the water supply faucet.
- Turn dishwasher off using the power button.
- Disconnect the power cord from electrical outlet.
- Remember to release the water pressure inside the (water inlet) hose. Press and hold the "red" pressure relief button on the quick connect until the flow of water stops.
- Disconnect the quick connect hose assembly from the faucet by pulling down on the (outer) locking collar. When the dishwasher is not in use, place/store the hose on the hanger hose bracket located on the exterior rear wall of the dishwasher cabinet.

### Loading your Dishwasher

Your dishwasher is designed to hold a standard 4 piece plate setting.

- 4 Dinner Plates (upto 11" diameter)
- 4 Bread & Butter Plates
- 4 Fruit Bowls
- 4 Cups & Saucers
- 4 Dinner Forks
- 4 Dinner Knives
- 4 Salad Forks
- 4 Teaspoons
- 2 Serving Spoons
- 1 Serving Fork
- **NOTE:** For ease of loading/unloading dinner plates, we recommend removing the silverware basket from the dish rack. When loading/unloading is complete, return the silverware basket to it's original position.

**SPECIAL NOTE:** Your dishrack also easily converts to a "glass" (only) dishrack, holding approx. 25 standard size glasses. (remove inner rack insert)

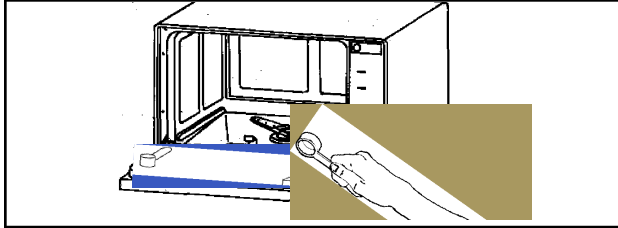
### Preparing your Dishes for Washing

- Scrape off all solid food particles from the dishes.
- Remove excessive quantities of oil or grease.
- Empty liquids from glasses and cups.
- If dishes are not to be washed immediately they should be rinsed to prevent food sediments from becoming caked to the surface. Use the pre-wash feature for this function.

**NOTE: Dishes with dried-on foods are more difficult to clean.**

## Using the Right Detergent

Use approved dishwasher detergents (only) as other type detergents will cause over-sudsing and possible leaking. If your detergent is old and/or lumpy, throw it away. Old detergent loses washing power. Lumpy detergent may not dissolve.



## How Much Detergent Should You Use

- **Pre-Wash:** (no detergent required rinse cycle only )
- **Normal Wash:**
  - Add 10 grams (1 teaspoon) Detergent to Automatic Dispenser (covers 2nd wash application)
  - Add 10 grams (1 teaspoon) Detergent to Detergent Indent on door (covers 1st Wash application)
- **Short Wash:**
  - Add 10 grams (1 teaspoon) Detergent to Automatic Dispenser only.
- **Rinse:** Recommended for glassware.
  - Add 10 grams (1 teaspoon) Detergent to Detergent Indent on door. (see program summary for details)

## Using a Rinse Agent

You can help prevent unsightly spots on dishes and glassware plus reduce drying time by using a rinse agent. A rinse agent is specially formulated to rinse away food and detergent residue that can be left behind on dishes. Used regularly, a rinse agent will automatically provide you with cleaner dishes every time you wash.

The rinse agent dispenser is located on the left side inner door panel. To fill the dispenser, unscrew dispenser cap anticlockwise. Pour rinse agent slowly into container until the level reaches the bottom of the container. Do not overfill. The dispenser automatically releases the required amount of rinse agent into the machine during the last (heated) rinse cycle. The rinse agent dispenser holds approximately; 59 ml (2 fl oz liq)

**NOTE:** Hard Water can effect washability. Hard Water also contributes to “Lime” deposits (white film substance) and/or “Scaling” that will appear on the surface of the stainless steel tub, door liner and heating element. To minimize these conditions, periodically operate the dishwasher (empty) and add 1 cup of white vinegar to the wash water. Let the dishwasher complete a full cycle.

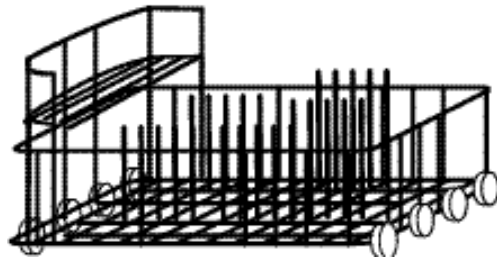


## WARNING

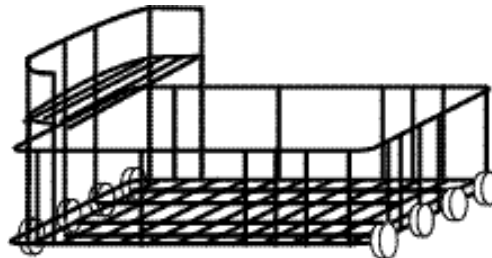


For the drain system to operate properly. The highest distance between the faucet quick connect and base of the dishwasher, should not exceed 15cm (6")

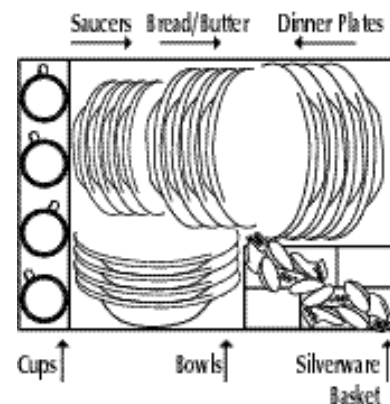
## Dish Rack



## Dish Rack converted to Glass Rack



## Dish Rack Loading Method

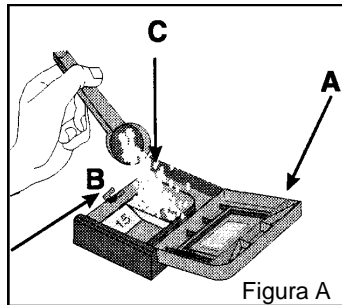


## INSTRUCCIONES PARA OPERAR

Antes de arrancar la lavadora de vajilla, cerciórese que todas las conexiones estén bien apretadas y que no existan fugas.

**Puerta:** Para abrir la puerta presione el botón de la cerradura y la puerta se abrirá automáticamente (en forma parcial). Jale la puerta hacia abajo para abrirla totalmente.

**Carga de Detergente (Dispensador Automático):** Para abrir la tapa "A" del dispensador, presione el botón "B". Eche la cantidad recomendada de detergente en el compartimiento "C". Cierre la tapa y presiónela hacia abajo hasta que enganche y cierre (se escucha un clic). (Figura A.)



**Agente Enjuagador:** Desenrosque la tapa y eche la cantidad recomendada de 59ml (2 Onz. Líq.) en el dispensador. Evite sobrellenar.

**Carga de la Vajilla:** Saque la repisa completamente (jalándola) hasta que se detenga en la puerta. Cargue la vajilla con la superficie sucia hacia el centro de la tina. (Ver página 24). Para facilitar la carga de los platos grandes, será necesario sacar la canastilla para cubiertos de la repisa. Cuando se termine de cargar, regrese la canastilla para cubiertos a su posición original.

**Carga de Cubiertos:** Los cubiertos deben colocarse en la canastilla con los mangos hacia abajo. Para evitar lesiones por cortes, tenga mucho cuidado al (manipular) cargar y descargar los objetos filosos. Cuando se complete la carga, deslice la repisa con vajilla dentro de la lavadora.

**Cierre de Puerta:** Suba la puerta y presiónela firmemente para que cierre. Asegúrese de escuchar el chasquido de la chapa cuando cierra.

**Selección del Programa:** Siempre cerciórese que el interruptor de energía esté en la posición "OFF" (apagado) antes de seleccionar el programa.

Gire la perilla del temporizador (en el sentido del reloj) hasta que el punto en la perilla coincida con el programa que usted desea usar.

**Selección del Modo "Sani" o "Econo":** Presione el botón Sani/Econo en el panel de control. Cuando el botón esté "hundido" el modo "Sani" está seleccionado, y el modo "Econo" cuando el botón esté "afuera". La luz indicadora roja junto al botón se enciende sólo cuando el modo "Sani" está seleccionado y la lavadora esté encendida.

**Arranque de la Lavadora:** Sólo se debe arrancar la lavadora después de seleccionar el programa. Para arrancar la lavadora, presione el botón interruptor. La luz indicadora "verde" se enciende para indicar que la lavadora está encendida y que va a comenzar a funcionar.

**NOTA:** Después que la lavadora termine el programa, ambas luces indicadoras permanecen encendidas hasta que se presione el interruptor.

**NOTA:** El ciclo wash/rinse (lavado/enjuague) puede interrumpirse en cualquier momento abriendo la puerta cuidadosamente para evitar que el agua salpique. Esto permite aumentar o sacar platos según se requiera. Cuando la puerta se cierre, la lavadora reiniciará su ciclo desde donde había quedado. Cuando termine de usar la lavadora de vajilla, corte la corriente con el interruptor.

**NOTA:** Tenga cuidado al sacar la vajilla inmediatamente después que termine el ciclo de enjuague porque la vajilla queda muy caliente.

**NOTA:** Tenga cuidado al sacar la vajilla inmediatamente después que termine el ciclo de enjuague porque la vajilla queda muy caliente. El último ciclo de enjuague está diseñado para que caliente el agua más, hasta 71°C (120°F) sin importar el programa seleccionado.

La vajilla estará muy caliente y será difícil de manipular apenas termine el ciclo. Permita que la vajilla repose varios minutos antes de intentar sacarla, o deje la puerta parcialmente abierta para acelerar el proceso de enfriamiento.

### Cuidado y Mantenimiento:

**Filtro de la Tina:** Para mejores resultados, el filtro debe lavarse después de cada uso. Para sacarlo jálelo de la manija. Enjuague el filtro con agua corriente para eliminar las partículas sólidas de comida.

### NUNCA OPERE LA LAVADORA DE VAJILLA SIN EL FILTRO

**Brazo Rociador:** Podría suceder que partículas de comida se incrusten en el brazo rociador y bloqueen los orificios. Inspeccione el brazo de rociado periódicamente y límpielo según lo requiera.

**Después de Cada Uso:** Corte el suministro de agua a la lavadora y desconecte la manguera de suministro de agua. Deje la puerta entreabierta para que la humedad y los olores no queden atrapados adentro.

**Limpieza:** No use productos solventes ni abrasivos para limpiar el exterior del gabinete y los sellos de la puerta. Use una toalla humedecida en una solución de agua y detergente para vajilla. Para sacar las manchas de la tina y puerta de acero inoxidable, use un paño humedecido en agua con vinagre blanco, o productos limpiadores específicos para lavadoras de vajilla.

## Resumen del Prelavado (Pre-Wash)

El programa de "Prelavado" es una conveniencia que permite enjuagar la vajilla cuando aun no se tiene una carga completa para la lavadora (evita que los alimentos se sequen y se peguen a la vajilla). No es necesario echar detergente para este ciclo. Es importante cerciorarse que el agua que ingresa esté caliente. Abra el grifo de agua caliente y deje correr el agua hasta que salga caliente antes de hacer funcionar la lavadora de vajilla.

**NOTA: Todos los programas de la lavadora de vajilla comienzan en el modo de "desagüe".**

**La bomba de desagüe siempre retiene una pequeña cantidad de agua del lavado anterior (en el sumidero). Esto es necesario para mantener la bomba cebada. No se alarme si ve salir un poco de agua por la manguera de desagüe antes que comience el ciclo, y/o agua remanente en el área del sumidero al final del ciclo (esto es normal).**

## Instrucciones para la operación

La función "Sani" utiliza un elemento calentador para aumentar la temperatura del agua a 71°C (160°F). Para activar esta función, presione el botón "Sani/Econo" en el panel de control.

- La luz indicadora roja junto al botón se enciende cuando la función "Sani" está seleccionada. Para desactivar la función "Sani" vuelva a presionar el botón "Sani/Econo" y la luz se apagará.
- Si decide usar la función "Econo" (la luz indicadora no se enciende), la vajilla se lava sólo con el agua caliente de la casa. Recomendamos que la temperatura para el agua caliente de la casa esté programada para 49°C (120°F) de lo contrario no se obtendrá un buen lavado.

NOTA ESPECIAL: Durante el ciclo final de enjuague de los programas NORMAL/SHORT/RINSE (normal/corto/enjuague), el elemento calentador se activa automáticamente sin importar la función "Sani/Econo". Esto dispersa óptimamente el agente enjuagador y acorta el tiempo de secado.

## RESUMEN DEL PROGRAMA

### PRE-WASH (PRELAVADO) (MODO ECONO)

Temperatura del agua: (Temperatura del agua de la casa)  
Programa: 1 Ciclo de enjuague  
Consumo de agua: 3,0 litros / 0,79 gal. US  
Duración del Programa: 6 minutos

### NORMAL WASH (LAVADO NORMAL) (MODO ECONO)

Temperatura del agua: (Temperatura del agua de la casa)  
Programa: 2 Ciclos de lavado y 2 de enjuague  
Consumo de agua: 12,0 litros / 3,2 gal. US  
Duración del Programa: 42 minutos

### SHORT WASH (LAVADO CORTO) (MODO ECONO)

Temperatura del agua: (Temperatura del agua de la casa)  
Programa: 1 Ciclo de lavado y 2 de enjuague  
Consumo de agua: 9,0 litros / 2,4 gal. US  
Duración del Programa: 29 minutos

### RINSE (ENJUAGUE) (MODO ECONO) IDEAL PARA VASOS

Temperatura del agua: (Temperatura del agua de la casa)  
Programa: 2 ciclos de enjuague  
Nota: El primer ciclo puede usarse como ciclo de lavado (agregue detergente).  
Consumo de agua: 6,0 litros / 1,6 gal. US  
Duración del Programa: 20 minutos

### NORMAL WASH (LAVADO NORMAL) (MODO SANI)

Temperatura del agua: 71°C (160°F)  
Programa: 2 Ciclos de lavado y 2 de enjuague  
Consumo de agua: 12,0 litros / 3,2 gal. US  
Duración del Programa: 47 minutos

### SHORT WASH (LAVADO CORTO) (MODO SANI)

Temperatura del agua: 71°C (160°F)  
Programa: 1 Ciclo de lavado y 2 de enjuague  
Consumo de agua: 9,0 litros / 2,4 gal. US  
Duración del Programa: 29 minutos

### RINSE (ENJUAGUE) (SANI/ECONO) IDEAL PARA VASOS

Temperatura del agua: (Temperatura el agua de la casa)  
Programa: 2 ciclos de enjuague  
Nota: El primer ciclo puede usarse como ciclo de lavado.  
Consumo de agua: 6,0 litros / 1,6 gal. US  
Duración del Programa: 20 minutos

NOTA: Durante el primer ciclo del programa RINSE (Enjuague), la función "SANI" no se activa aunque la función "SANI/ECONO" esté activada.

## Pre-Wash Summary

The "Pre-Wash" program is a convenience feature that allows dishes to be rinsed, when you don't have a full load ready to be washed. (this prevents foods from becoming dried/caked on the dishes)

It is not necessary to add detergent during the Pre-Wash cycle. It is important to make sure the incoming water is hot. Open the hot water faucet and run till hot, before connecting the dishwasher.

**NOTE: At the beginning of all programs, the dishwasher starts in "drain" mode.**

**The drain pump always retains a small amount of water (in the sump) from the previous cycle. This is necessary to keep the pump primed. Don't be alarmed if you see small amounts of water being pumped-out from the drain hose prior to the start of the cycle, and/or water remaining in the sump area at the end of the cycle. (THIS IS NORMAL)**

## Sani/Econo Summary

The "Sani" feature utilizes a heating element to boost (increase) temperature of the wash water upto 160°F (71°C).

To activate this feature, push the "Sani/Econo" button on the control panel.

- The red indicator light adjacent to the button illuminates, indentifying the Sani feature is selected.  
To deactivate the Sani feature, push the "Sani/Econo" button again and the indicator light turns off.
- If you elect to use the "Econo" feature, (no indicator light) dishes are washed using standard (household) hot water only.  
We recommend a minimum (household) water temperature setting of 120°F (49°C) otherwise washability may be compromised.

**SPECIAL NOTE:** During the final rinse cycle of the NORMAL/SHORT/RINSE programs, the heating element is activated automatically, irregardless of the "Sani/Econo" setting. This feature provides optimum conditions for dispersement of the rinse agent and accelerates the drying time of the dishes.

## PROGRAM SUMMARY

### PRE-WASH (ECONO MODE)

Water Temperature: (Household Temperature)  
Program: 1 Rinse Cycle  
Water Consumption: 3.0 liters / 0.79US/gal.  
Length of Program : 6min.

### NORMAL WASH (ECONO MODE)

Water Temperature: (Household Temperature)  
Program: 2 Wash & 2 Rinse Cycles  
Water Consumption: 12.0 liters / 3.2US/gal.  
Length of Program : 42 min.

### SHORT WASH (ECONO MODE)

Water Temperature: (Household Temperature)  
Program: 1 Wash & 2 Rinse Cycles  
Water Consumption: 9.0 liters / 2.4US/gal.  
Length of Program: 29 min.

### NORMAL WASH (SANI MODE)

Water Temperature: 160°F (71°C).  
Program: 2 Wash & 2 Rinse Cycles  
Water Consumption: 12.0 liters / 3.2US/gal.  
Length of Program: 47min.

### SHORT WASH (SANI MODE)

Water Temperature: 160°F (71°C).  
Program: 1 Wash & 2 Rinse Cycles  
Water Consumption: 9.0 liters / 2.4US/gal.  
Length of Program: 29min.

### RINSE (SANI/ECONO) IDEAL FOR GLASSWARE

Water Temperature: (Household Temperature)  
Program: 2 Rinse Cycles  
Note: the 1st cycle can be used as a wash cycle.

Water Consumption: 6.0 liters / 1.6US/gal.  
Length of Program: 20min.

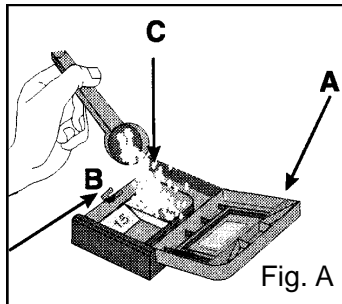
**NOTE:** During the 1st cycle of the RINSE program, the "sani" feature is not activated, irregardless of the "SANI/ECONO" setting.

## OPERATING INSTRUCTIONS

Make sure all hose connections are solid and no leaks are detected before starting the dishwasher.

**Front Door:** To open the door, push the door release button and the door will (partially) open automatically. Pull the door down to open fully.

**Loading Detergent (Automatic Dispenser):** To open the "A" cover on the dispenser, press the "B" button. Add the recommended amount of detergent into the "C" compartment. Close the cover and press down until it clicks (locks) in place. (See Fig. A )



**Rinse Agent:** Unscrew cap and pour the recommended amount 59ml (2 fl oz liq) into the dispenser. Avoid overfilling.

**Load Dishes:** Pull the rack all the way out until it comes to a stop on the door. Load dishes with the soiled surface facing toward the center of the tub. (see page 5 for reference) To facilitate loading the large dinner plates, it will be necessary to remove the silverware basket from the rack. When loading is complete return silverware basket to original position.

**Load Silverware:** Silverware should be placed in basket with the handles at the bottom. To avoid cut type injuries, exercise caution when (handling) loading/unloading sharp objects.

When loading is complete, slide the dish rack back into the tub.

**Close Door:** Lift the door and push firmly to close. Listen for positive door lock (click) when the door is closed.

**Selecting Program:** Always make sure the power on/off button is "off" before selecting a program. Rotate the timer dial (clockwise) until the dot on the timer dial is aligned with the program you want to use.

**Select Sani/Econo Mode:** Push the Sani/Econo button on the control panel. When the push button is "in" you have selected the "Sani" mode. When the push button is "out" you have selected "Econo" mode. The "red" pilot light adjacent to the push button illuminates (only) when you select 'Sani' mode and the power is turned on.

**Starting the Dishwasher:** Only after all program settings are made should you start the dishwasher. Push the power on/off button to start the dishwasher. The "green" pilot light adjacent to the on/off button illuminates indicating the power is on and the dishwasher will start to operate. **NOTE:** After the dishwasher completes its program, both the power light and sani light remain illuminated until the power is turned off.

**NOTE:** The wash/rinse cycle can be interrupted anytime during operation, by opening the door carefully. (to avoid being sprayed by hot water) This allows you to add or remove dishes as needed. When the door is closed, the cycle automatically resumes at the point where it left off. When you are finished using the dishwasher, turn the power off at the on/off switch.

**NOTE:** Exercise caution when unloading dishes immediately after a cycle has just been completed, as the last rinse cycle produces extremely hot water conditions.

**NOTE:** . The last rinse cycle is designed to boost water temperature upto (160F / 71C) irregardless of the program settings made.

Dishes will be extremely hot and difficult to handle immediately thereafter. Allow the dishes to stand for several minutes before attempting to remove them, or leave the door partially open to speed-up the cooling down process.

## CARE AND MAINTENANCE

**Tub Filter:** For best performance and results, the filter should be cleaned after each use. To remove the filter assembly, pull on the handle lift and remove. Rinse the filter under running water to remove food particles and return filter to dishwasher.

**NEVER OPERATE DISHWASHER WITHOUT TUB FILTER IN PLACE.**

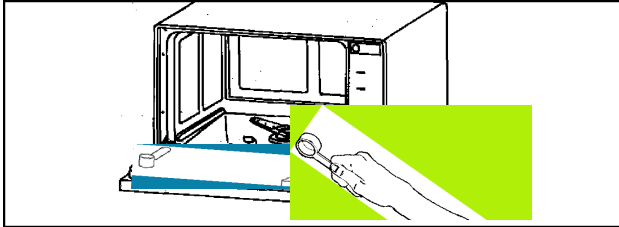
**Spray Arm:** It may happen that food particles become encrusted on the spray arm and block the holes. Check the spray arm periodically and clean when needed.

**After Every Wash:** Turn off the water supply to the appliance and disconnect the water inlet hose. Leave the door slightly ajar so moisture and odors are not trapped inside.

**Cleaning:** To clean the exterior cabinet and door seals, do not use solvents or abrasive cleaning products. Use warm soapy water and a soft dish towel. To remove spots or stains from the stainless steel tub/door, use a cloth dampened with water and white vinegar, or cleaning products made specifically for dishwashers.

## Use el Detergente Adecuado

Sólo use detergentes aprobados para lavadoras de vajilla porque los otros formarán demasiada espuma y podrían crear fugas. Si su detergente está viejo y aterronado, descártelo. El detergente viejo pierde su capacidad de lavado. El detergente aterronado podría no disolverse.



## ¿Cuánto Detergente debe Usarse?

- **Prelavado:** (no requiere detergente, sólo el ciclo de enjuague)

- **Lavado Normal:**

Eche 10 gramos (1 cucharadita) de detergente al dispensador automático (alcanza 2 lavados).

Eche 10 gramos (1 cucharadita) de detergente al compartimiento para detergente en la puerta (alcanza para 1 lavado).

- **Lavado Corto:**

Eche 10 gramos (1 cucharadita) de detergente sólo en el dispensador automático.

- **Enjuague:** Recomendado para vasos de vidrio.

Eche 10 gramos (1 cucharadita) de detergente sólo en compartimiento para detergente en la puerta. (Vea los detalles en el resumen del programa).

## Uso de un Agente Enjuagador

Se puede ayudar a evitar la formación de manchas desagradables en la vajilla con un agente enjuagador. Éste está especialmente formulado para enjuagar los residuos de comida y de detergente que puedan quedar en la vajilla. Su uso regular proveerá automáticamente vajilla más limpia cada vez.

El dispensador está ubicado a la izquierda en el interior de la puerta. Para llenarlo, desenrosque la tapa contra el sentido del reloj. Vierta el agente enjuagador lentamente hasta que el nivel llegue al fondo del contenedor. No exceder. El dispensador soltará automáticamente la cantidad requerida de agente enjuagador en la máquina durante el último ciclo (caliente) de enjuague. El dispensador tiene capacidad para aproximadamente 59ml (2 Onz. Líq.).

**NOTA:** La dureza del agua puede afectar el lavado. El agua dura también contribuye a formar depósitos de "calcio" (una sustancia como película blanca) y/o "sarro" que aparece en la superficie de la tina de acero inoxidable, el forro de la puerta y el elemento calentador. Para minimizar estas condiciones, haga funcionar periódicamente la lavadora de vajilla vacía, agregándole una taza de vinagre al agua del lavado. Deje que la máquina complete un ciclo total de lavado.

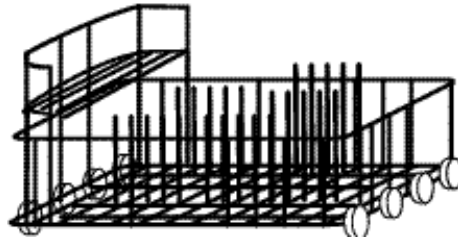


## ADVERTENCIA

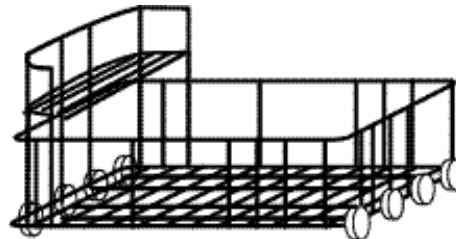


Para que el sistema de desagüe funcione adecuadamente, la distancia máxima entre el conector rápido en el grifo y la base del lavavajillas no debe exceder 15cm (6").

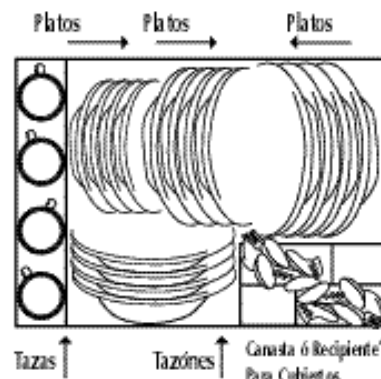
## Repisa para Vajilla



## Repisa para vajilla convertida en repisa para vasos



## Metodo de colocación Para Rack de Trastes



- Cuando la conexión rápida calce en el adaptador del grifo, suelte el collar inmovilizador. Controle que haya calzado bien.
- Abra lentamente la línea de agua caliente y revise que no haya a signos de pérdidas de agua en ninguna de las conexiones de mangueras. Si encontrara pérdidas cierre inmediatamente el suministro de agua y repare las conexiones que tengan pérdidas. Si por alguna razón, no pudiera efectuar la reparación usted mismo, sírvase llamar a nuestra

**LÍNEA GRATUITA DE AYUDA AL CLIENTE AL  
1-800 26 DANBY**



## IMPORTANTE



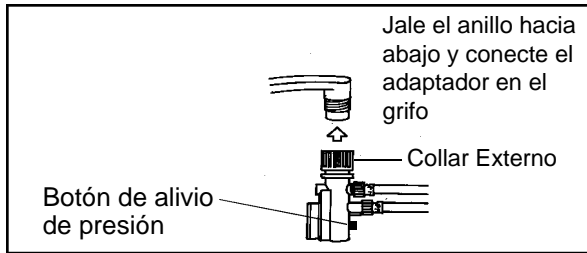
Una vez que haya abierto la línea de suministro de agua, (aún si la cerrara inmediatamente después) se presurizará la manguera de entrada de agua.



## IMPORTANTE



Para liberar la presión de agua dentro de la manguera de entrada de agua, asegúrese de que el suministro de agua (grifo) esté cerrado. Presione y mantenga la tecla "rojo" de liberación de presión en la unidad de conexión rápida, hasta que cese el flujo de agua.



## ADVERTENCIA



**DE NO LIBERAR LA PRESIÓN DE AGUA ANTES DE DESCONECTAR LA UNIDAD DE CONEXIÓN RÁPIDA DEL GRIFO PUEDE PRODUCIRSE UNA PULVERIZACIÓN DE CONTRA PRESIÓN. LA TEMPERATURA DE AGUA DE ENTRADA PUEDE ESTAR MUY CALIENTE Y LA PULVERIZACIÓN DE CONTRA PRESIÓN PUEDE CAUSAR QUEMADURAS Y/O ESCALDADURAS.**



## PRECAUCION



**DNO PERMITA QUE LOS NIÑOS DESCONECTEN EL LAVAVAJILLAS.** Es muy importante la supervisión de los niños cerca de los electrodomésticos.

Nota: El agua dura afectará negativamente la capacidad de lavado de su lavavajillas. Además, el agua dura contribuirá a la formación de depósitos de "cal" (capa de sustancia blanca) y / o "sarro" en la superficie de acero inoxidable de la caja del lavavajillas y del "elemento térmico" ubicado en el sumidero, debajo del filtro desmontable. Para ayudar a minimizar estas condiciones, se recomienda hacer funcionar/enjuagar periódicamente el interior del lavavajillas (vacío) utilizando 1 taza de vinagre blanco (por lo menos, una vez a la semana).

## Desconexión del lavavajillas

- Cierre el suministro de agua caliente en el grifo.
- Desconecte el cordón de suministro de energía eléctrica.
- Recuerde liberar la presión de agua dentro de la manguera de llenado. Presione y mantenga la tecla negra de liberación de la presión en la unidad de la conexión rápida hasta que cese el flujo de agua.
- Desconecta el ensamblaje de manguera del grifo tirando hacia abajo por el cuello del grifo. Cuando el lavavajillas no esta en marcha guarda la manguera sobre el soporte colgante que se encuentra en el muro de atrás del armario del lavavajillas.

## Carga del lavavajillas

El lavavajillas está diseñado para recibir una unidad estándar de 4 piezas compuesto de lo siguiente:

- 4 platos liso
- 4 platos para postre
- 4 tazones para fruta
- 4 tazas y platos
- 4 tenedores
- 4 cuchillos
- 4 tenedores para ensalada
- 4 cucharitas de té
- 2 cucharas para ensalada
- 1 Tenedor de servir
- Para hacer el cargamento/descargamento de los platos más fácil podría ser necesario de quitar (temporalmente) la cesta de los utensilios. Cuando Ud. ha completado de cargar/descargar la lavavajillas devuelva a su lugar original la cesta de los utensilios.

## Preparación de la vajilla para el lavado

- Quite todas las partículas sólidas de alimentos de la vajilla.
- Retire el exceso de grasa o aceite.
- Vacíe los vasos y copas
- Toda la vajilla debe enjuagarse minuciosamente (use la característica del Pre-enjuague) si no es que va a lavar la vajilla inmediatamente.

**NOTA: La vajilla que tenga restos de alimentos secos es más difícil de lavar y puede no quedar limpia en el ciclo de lavado normal.**



## Common Dishwashing Problems and Solutions

PROBLEM	POSSIBLE CAUSE	POSSIBLE SOLUTION
<b>Dishwasher will not start</b>	<ul style="list-style-type: none"> <li>• Dishwasher not receiving electrical power.</li> <li>• Door is unlatched.</li> <li>• Dishwasher not level.</li> </ul>	<ul style="list-style-type: none"> <li>• Check electrical connection Fuse/circuit breaker.</li> <li>• Close and latch door.</li> <li>• Level unit.</li> </ul>
<b>Dishes not clean</b>	<ul style="list-style-type: none"> <li>• Improper loading.</li> <li>• Incoming water temperature not hot enough. Spray arm not rotating freely.</li> <li>• Not enough detergent and/or improper detergent being used.</li> <li>• Improperly prepared dishes.</li> <li>• Water inlet hose kinked/bent due to improper installation.</li> </ul>	<ul style="list-style-type: none"> <li>• Arrange dishes so spray action reaches all surfaces.</li> <li>• Do not overload dishwasher.</li> <li>• Increase water temperature.</li> <li>• Check spray arm to make sure nothing (i.e. cutlery) is obstructing spray arm rotation.</li> <li>• Check if filter screen has become dislodged and obstructing spray arm rotation.</li> <li>• Use more dishwasher detergent. Detergent to old replace.</li> <li>• Do not use detergent that is hard or caked.</li> <li>• Use only a recommended dishwasher detergent.</li> <li>• Excess food soil and liquids should be removed from dishes before loading.</li> <li>• Eliminate kink or bend from inlet hose.</li> </ul>
<b>Chipping or breaking glassware</b>	<ul style="list-style-type: none"> <li>• Improper loading of dishes.</li> </ul>	<ul style="list-style-type: none"> <li>• Do not overload dishrack. Load glasses on the upper rack only, not over dishrack pins. Glasses loaded over dishrack pins are not properly supported and subject to damage.</li> </ul>
<b>Water remains in bottom of dishwasher</b>	<ul style="list-style-type: none"> <li>• A small amount of water (in sump area) is normal.</li> <li>• Excessive amount of water; Cycle not completed.</li> </ul>	<ul style="list-style-type: none"> <li>• This is necessary to keep the pump primed and is drained automatically at the beginning of each cycle.</li> <li>• Allow dishwasher to complete full cycle.</li> </ul>

# Danby® LIMITED PRODUCT WARRANTY

This quality product is warranted to be free from manufacturer's defects in material and workmanship, provided that the unit is used under the normal operating conditions intended by the manufacturer.

This warranty is available only to the person to whom the unit was originally sold by Danby or by an authorized distributor of Danby, and is non-transferable.

## TERMS OF WARRANTY

Plastic parts are warranted for thirty (30) days only from purchase date, with no extensions provided.

*First Year* During the first year (1), any electrical parts of this product found to be defective will be repaired or replaced, at warrantor's option, at no charge to the ORIGINAL purchaser.

Nothing within this warranty shall imply that Danby will be responsible or liable for any damage to any items placed in this appliance, whether due to any defect of the appliance, or its use, whether proper or improper.

## EXCLUSIONS

Save as herein provided, Danby Products Limited (Canada) or Danby Products Inc. (U.S.A.), there are no other warranties, conditions, representations or guarantees, express or implied, made or intended by Danby Products Limited or its authorized distributors and all other warranties, conditions, representations or guarantees, including any warranties, conditions, representations or guarantees under any Sale of Goods Act or like legislation or statute is hereby expressly excluded. Save as herein provided, Danby Products Limited (Canada) or Danby Products Inc. (U.S.A.), shall not be responsible for any damages to persons or property, including the unit itself, howsoever caused or any consequential damages arising from the malfunction of the unit and by the purchase of the unit, the purchaser does hereby agree to indemnify and save harmless Danby Products Limited from any claim for damages to persons or property caused by the unit.

## GENERAL PROVISIONS

No warranty or insurance herein contained or set out shall apply when damage or repair is caused by any of the following:

- 1) Power Failure.
- 2) Damage in transit or when moving the appliance.
- 3) Improper power supply such as low voltage, defective house wiring or inadequate fuses.
- 4) Accident, alteration, abuse or misuse of the appliance such as inadequate air circulation in the room or abnormal operating conditions.
- 5) Use for commercial or industrial purposes.
- 6) Fire, water damage, theft, war, riot, hostility, acts of God such as hurricanes, floods etc.
- 7) Service calls resulting in customer education.

Proof of purchase date will be required for warranty claims; so, please retain bills of sale. In the event warranty service is required, present this document to our AUTHORIZED SERVICE DEPOT.

## Warranty Service-Carry In Only

**\*This unit is not intended for built in use.**

Danby Products Limited  
PO Box 1778, 5070 Whitelaw Road,  
Guelph, Ontario, Canada N1H 6Z9  
Telephone: (519) 837-0920 FAX: (519) 837-0449

12/01

Danby Products Inc.  
PO Box 669, 101 Bentley Court,  
Findlay, Ohio, U.S.A. 45839-0669  
Telephone: (419) 425-8627 FAX: (419) 425-8629

## Instrucciones para la instalación



### ADVERTENCIA



**La manguera que se conecte a un grifo separado con regadera puede reventar si se instala en la misma línea de agua que la lavadora de vajilla. Si su lavadero tuviese una, recomendamos desconectar la manguera.**

Si el adaptador existente en su grifo no fuese compatible con el "conector rápido" de la manguera para suministro de agua provista:

- Instale el adaptador (provisto con la lavadora de vajilla) en el grifo de su lavadero.
- Si su grifo tiene un conector roscado "macho", inserte la arandela estándar de caucho (2mm) dentro del adaptador del grifo.

## Presión de agua

Para un mejor funcionamiento de la lavadora de vajilla, la presión de entrada del agua debe ser de 15 a 120 libras por pulgada cuadrada (PSI). La presión de entrada se controla con el "Control de Presión".

Si la presión de agua de la casa es baja, tomará más tiempo llenar la lavadora de vajilla.

### PARA MEJORES RESULTADOS EN EL LAVADO:

La lavadora de vajilla lava rociando una mezcla de agua caliente con detergente contra las superficies sucias de la vajilla. El agua (a presión) se bombea por un brazo rociador que gira disparando chorros de agua en cascada sobre la vajilla. Después el agua se drena de la tina por una malla eliminando así las partículas sólidas de comida y recirculándose de nuevo por el brazo rociador. Al final de cada ciclo, el agua sucia se bombea hacia afuera y se reemplaza con agua fresca.

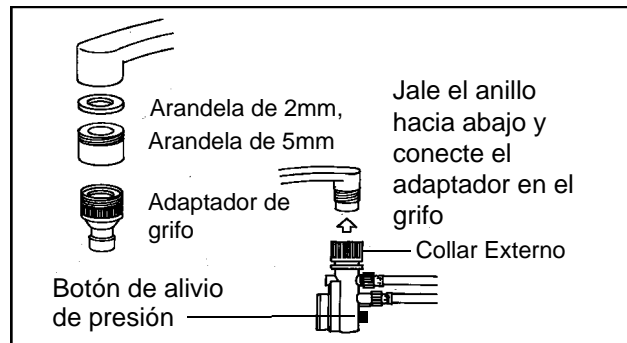
**NOTA:** El filtro de la tina debe limpiarse después de cada uso. El sistema de agua caliente de la casa debe graduarse para que opere a mínimo 49°C (129°F).

## Conexión de vavajillas:

La lavadora viene equipada con mangueras (llenado y desagüe) con "conector rápido" y un adaptador para grifo.conexión rápida en el grifo antes de conectar

- Instale el adaptador en el grifo.
- Abra la llave del grifo lentamente y revise si hay fugas.
- Cierre la llave del grifo y repare las fugas con cinta de teflón.

- Si su grifo tiene un conector roscado "hembra", inserte ambas arandelas de caucho (2mm y 5mm) dentro del adaptador del grifo.
- La altura libre mínima requerida para instalar la lavadora de vajilla sobre un mostrador que tenga gabinete encima (suspendido) es 44,4cm (17-1/2").
- Cerciórese que exista un tomacorriente al alcance del cordón (182.8cm / 6').
- Asegúrese que las conexiones de suministro de agua y desagüe estén al alcance de las mangueras (152,4cm / 5').
- La lavadora de vajilla debe instalarse sobre una superficie "sólida" y nivelada.
- Para nivelar la lavadora de vajilla, ajuste los pernos niveladores de las patas bajo la lavadora de vajilla.



- Conecte la manguera de desagüe (conexión pequeña) en el orificio de desagüe en la parte posterior del gabinete de la lavadora de vajilla.
- Conecte la manguera de agua caliente (conexión grande) en el orificio de desagüe en la parte posterior del gabinete de la lavadora de vajilla. Ajústela firmemente pero no tanto que vaya a robar la rosca.
- Conecte la manguera (conexión rápida) al adaptador del grifo jalando suavemente el anillo de seguro del conector mientras empuja el conector hacia arriba contra el adaptador del grifo.
- Cuando el conector rápido enganche en el adaptador del grifo, suelte el anillo del seguro. Revise que el encaje quede bien.
- Abra la llave del suministro de agua lentamente y revise todas las conexiones para ver si hay fugas.
- Si se detectan fugas, cierre el agua inmediatamente y repare las conexiones defectuosas.

## IMPORTANTES INSTRUCCIONES DE SEGURIDAD



### ADVERTENCIA



Siempre tome precauciones básicas de seguridad al usar la lavadora de vajilla.

- Lea todas las instrucciones antes de comenzar a usar la lavadora de vajilla.
- Sólo use la lavadora de vajilla para la función que está diseñada.
- Sólo use detergentes o agentes mojadores aprobados o recomendados para lavadoras de vajilla. Manténgalos fuera del alcance de los niños.

#### Cuando cargue los objetos a lavar:

- Coloque las piezas filosas de modo tal que no causen daños al sello de la puerta ni lesiones personales.
- No lave productos de plástico a menos que expresen "apto para lavavajillas" o expresión equivalente.

#### Para los productos de plástico que no lo expresen, consulte las recomendaciones del fabricante.

- No toque el elemento calentador (bajo el filtro de la tina) durante ni inmediatamente después de su uso.
- No encienda el lavavajillas a menos que todos los paneles que contiene estén en su sitio.

- No fuerce los controles.
- No maltrate, no se siente ni se pare sobre la puerta o la rejilla del lavavajillas.
- Para reducir el riesgo de lesiones, no permita que los niños jueguen cerca de la lavadora de vajilla.
- En determinadas circunstancias, se puede producir hidrógeno en un sistema de agua caliente que no ha sido usado durante dos semanas o más. **EL GAS DE HIDRÓGENO ES EXPLOSIVO.** Si no se ha utilizado el sistema de agua caliente durante este período, antes de usar el lavavajillas abra todos los grifos de agua caliente y deje que el agua fluya durante varios minutos. Esto liberará cualquier acumulación de hidrógeno. Como el hidrógeno es inflamable, no fume ni encienda ninguna llama en este momento. El gas de hidrógeno es inflamable, no fume ni use llamas abiertas cuando la lavadora de vajilla esté funcionando.
- **IMPORTANTE:** Cuando mueva o descarte su lavadora vieja, siempre tome precauciones básicas de seguridad. Desmantele la puerta del gabinete. Si no fuese posible, desmantele y/o inhabilite el mecanismo de seguro de la puerta para evitar que los niños puedan atraparse adentro accidentalmente.

## GUARDE ESTAS INSTRUCCIONES



### ADVERTENCIA



Instrucciones correspondientes al riesgo de incendio, choque eléctrico, o lesiones a las personas.

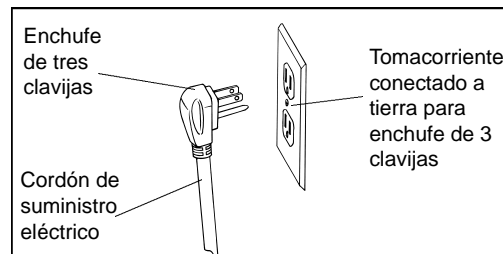
#### Requerimientos eléctricos:

Este artefacto requiere corriente alterna de 120 voltios/60 Hz.

**Por su seguridad personal, este artefacto debe conectarse a tierra.** Está equipado con un cordón de suministro eléctrico con enchufe de 3 clavijas, que para minimizar las posibilidades de un choque eléctrico, debe conectarse a un tomacorriente para tres clavijas conectado a tierra.

#### Instrucciones para la puesta a tierra:

Este artefacto está equipado con un cordón con conductor para conectar el artefacto a tierra y un enchufe para conexión a tierra. El enchufe debe conectarse a un tomacorriente adecuado que esté instalado y conectado a tierra de acuerdo a los códigos y ordenanzas locales.

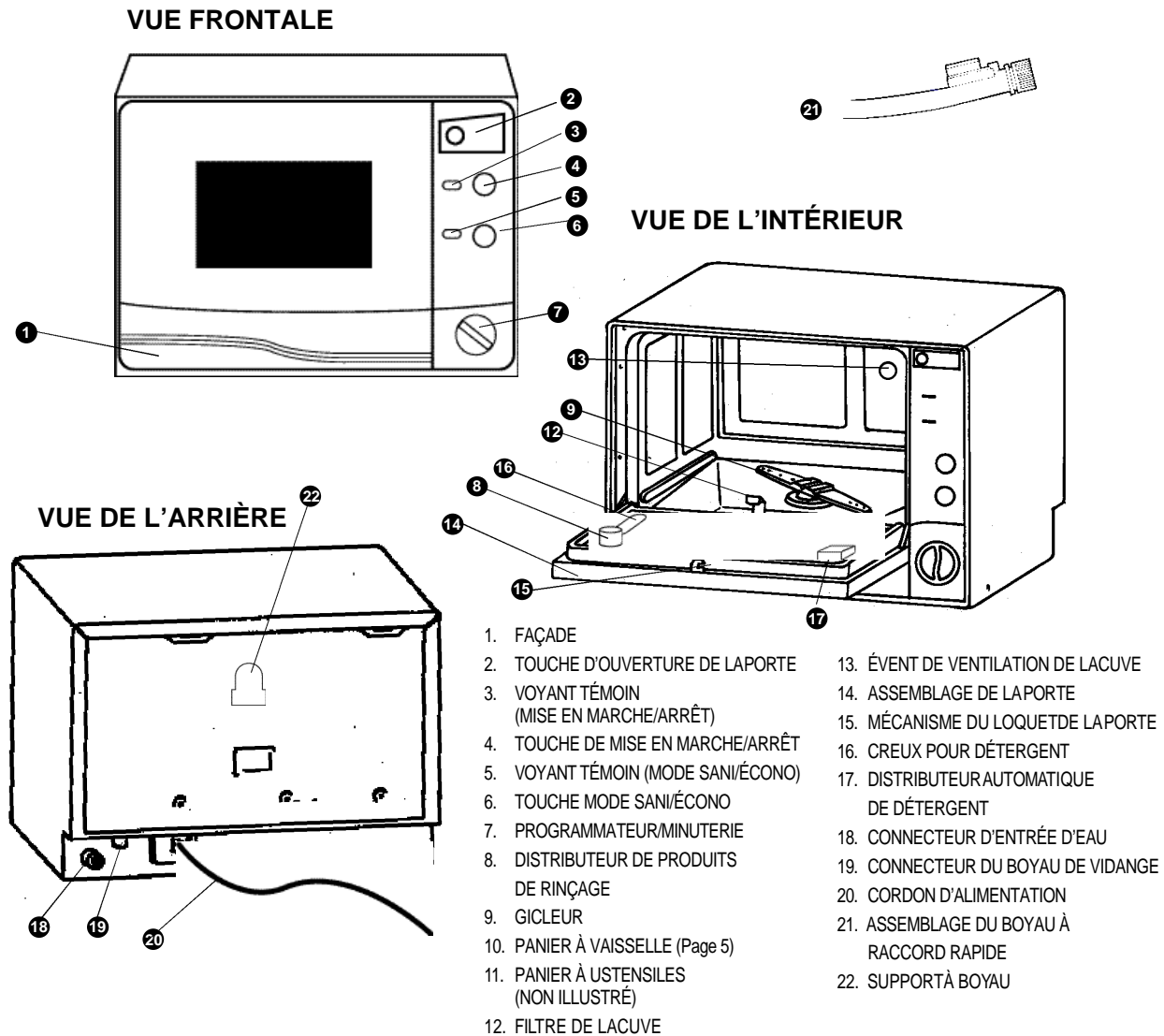




## Table des matières

	Page
Identification des pièces de l'appareil .....	11
Consignes de sécurité importantes .....	12
Installation .....	13
Pression d'eau .....	13
Caractéristiques .....	13
Instructions pour brancher et débrancher l'appareil .....	14
Conseils d'utilisation .....	14
Sommaire des programmes et des sélections .....	16
Soin et entretien .....	17
Problèmes courants et solutions .....	18
Garantie .....	19

## Identification des pièces de l'appareil

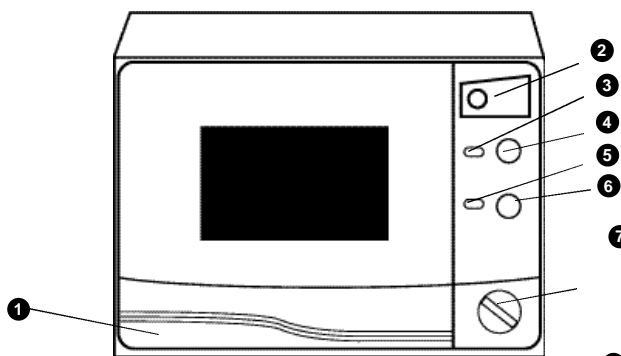


## Índice

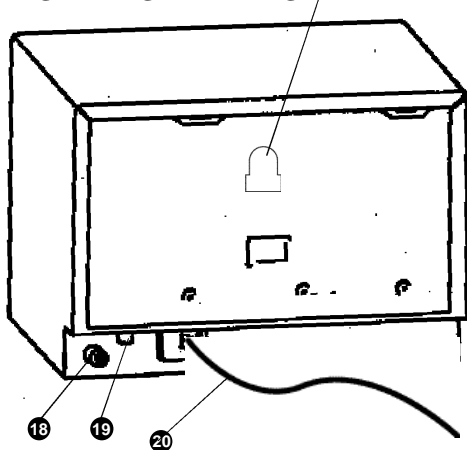
	Page
Identificación de las piezas de la unidad .....	.20
Instrucciones para la seguridad .....	.21
Instalación .....	.22
Presión de agua .....	.22
Instrucciones para conectar y desconectar el aparato .....	.23
Características .....	.21
Resumen de las programas y selecciones .....	.25
Instrucciones de operación .....	.26
Cuidado y mantenimiento .....	.26
Problemas y soluciones comunes .....	.27
Garantía .....	.28

## Identificación de las piezas de la unidad

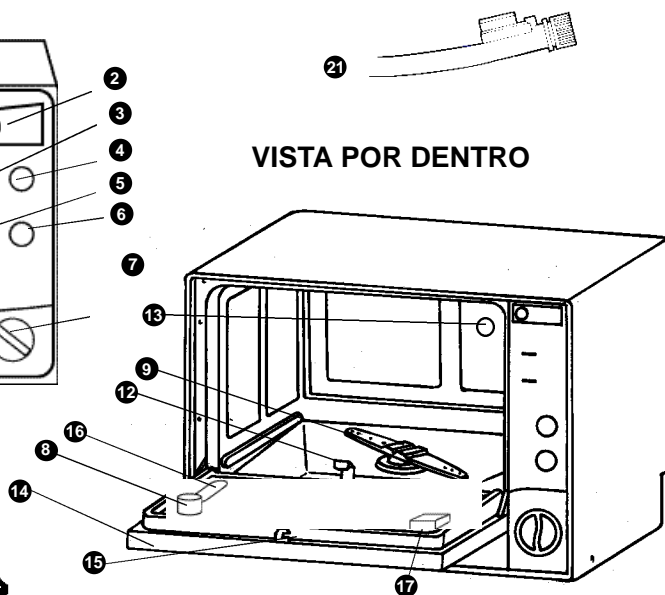
### VISTA DE FRENTE



### VISTA DESDE ATRÁS



### VISTA POR DENTRO



- |                                           |                                          |
|-------------------------------------------|------------------------------------------|
| 1. PANEL FRONTAL                          | 15. MECANISMO DE CIERRE DE LA PUERTA     |
| 2. BOTÓN PARAABRIR LA PUERTA              | 16. COMPARTIMIENTO PARA DETERGENTE       |
| 3. LUZ PILOTO (INTERRUPTOR)               | 17. DISPENSADOR AUTOMÁTICO DE DETERGENTE |
| 4. CORRIENTE (INTERRUPTOR)                | 18. CONEXIÓN PARALAENTRADA DE AGUA       |
| 5. LUZ PILOTO (SANI/ECONO)                | 19. CONEXIÓN PARADESAGÜE DELAGUA         |
| 6. BOTÓN SANI/ECONO                       | 20. CORDÓN ELÉCTRICO                     |
| 7. PROGRAMA/TEMPORIZADOR                  | 21. MANGUERA DE CONEXIÓN RÁPIDA          |
| 8. DISPENSADOR DE AGENTE ENJUAGADOR       | 22. COLGADOR DE MANGUERA                 |
| 9. BRAZO ROCIADOR                         |                                          |
| 10. REPISA PARA VAJILLA                   |                                          |
| 11. CANASTA PARACUBIERTOS (NO SE MUESTRA) |                                          |
| 12. FILTRO DE LATINA                      |                                          |
| 13. SALIDA DEL RESPIRADOR DE LATINA       |                                          |
| 14. PUERTA                                |                                          |

## **Danby® GARANTIE LIMITÉE**

Cet appareil de qualité est garanti exempt de tout vice de matière première et de fabrication, s'il est utilisé dans les conditions normales recommandées par le fabricant.

Cette garantie n'est offerte qu'à l'acheteur initial de l'appareil vendu par Danby ou par l'un des ses distributeurs agréés et elle ne peut pas être transférée.

### **CONDITIONS**

Pièces en plastique sont couverts par une garantie sans extension de 30 jours de la date d'achat.

*Première année* Pendant la première (1) année, toutes pièces électriques de ce produit s'avèrent défectueuses, seront réparées ou remplacées, selon le choix du garant, sans frais à l'acheteur INITIAL.

Cette garantie indique en aucun temps la responsabilité de Danby du dommage aux contenus mis dans l'appareil, soit par les vices de l'appareil, ou soit par l'utilisation convenable ou inexacte.

### **EXCLUSIONS**

En vertu de la présente, il n'existe aucune autre garantie, condition ou représentation, qu'elle soit exprimée ou tacite, de façon manifeste ou intentionnelle, par Danby Products Limitée (Canada) ou Danby Products Inc. (E.- U. d'A.) ou ses distributeurs agréés. De même, sont exclues toutes les autres garanties, conditions ou représentations, y compris les garanties, conditions ou représentations en vertu de toute loi régissant la vente de produits ou de toute autre législation ou règlement semblables.

En vertu de la présente, Danby Products Limitée (Canada) ou Danby Products Inc. (E.- U. d'A.) ne peut être pas tenue responsable en cas de blessures corporelles ou des dégâts matériels, y compris à l'appareil, quelle qu'en soit les causes. Danby ne peut pas être tenue responsable des dommages indirects dus au fonctionnement défectueux de l'appareil. En achetant l'appareil, l'acheteur accepte de mettre à couvert et de dégager Danby Products Limitée de toute responsabilité en cas de réclamation pour toutes blessures corporelles ou tout dégâts matériels causé par cet appareil.

### **CONDITIONS GÉNÉRALES**

La garantie ou assurance ci-dessus ne s'applique pas si les dommages ou les réparations sont dus aux cas suivants:

- 1) Panne de courant;
- 2) Dommage subis pendant le transport ou le déplacement de l'appareil;
- 3) Alimentation électrique incorrecte (tension faible, câblage défectueux, fusibles incorrects);
- 4) Accident, modification, emploi abusif ou incorrect de l'appareil;
- 5) Utilisation dans un but commercial ou industriel;
- 6) Incendie, dommage causés par l'eau, vol, guerre, émeute, hostilités, cas de force majeure (ouragan, inondation, etc.);
- 7) Visites d'un technicien pour expliquer le fonctionnement de l'appareil au propriétaire.

Une preuve d'achat doit être présentée pour toute demande de réparation sous garantie. Prière de garder le reçu. Pour honorer la garantie, présentez ce document à la station technique agréée ou s'adresser à:

**Service sous garantie-Service atelier**  
**Ce n'est pas possible d'incorporer cet**  
**appareil dans un espace enfermé.**

Danby Products Limitée  
PO Box 1778, 5070 Whitelaw Road,  
Guelph, Ontario, Canada N1H 6Z9  
Téléphone: (519) 837-0920 Télécopieur: (519) 837-0449

12/01

Danby Products Inc.  
PO Box 669, 101 Bentley Court,  
Findlay, Ohio, U.S.A. 45839-0669  
Telephone: (419) 425-8627 FAX: (419) 425-8629



## IMPORTANTES CONSIGNES DE SÉCURITÉ



### ATTENTION



Lorsque vous utilisez votre lave-vaisselle, prenez soin de toujours obéir aux consignes fondamentales de sûreté

- Lisez attentivement toutes les directives avant d'utiliser le lave-vaisselle.
- N'utilisez le lave-vaisselle qu'aux fins pour lesquelles il a été conçu.
- N'utilisez que des détergents pour lave-vaisselle approuvés et n'utilisez qu'un agent mouillant recommandé pour usage dans les lave-vaisselle.
- Gardez hors de la portée des enfants.

#### Chargement de la vaisselle sale :

- Assurez-vous que les objets pointus ne sont pas placés de façon à pouvoir endommager le joint d'étanchéité de la porte ou causer des blessures.
- Ne jamais laver d'articles en plastique à moins qu'ils soient marqués « lavable au lave-vaisselle » ou d'une façon semblable.

**Pour les objets en plastique ne portant pas telle indication, consultez les directives du fabricant.**

- Évitez de toucher l'élément chauffant (sous le filtre de la cuve) pendant l'utilisation ou immédiatement après celle-ci.

- Ne jamais faire fonctionner le lave-vaisselle si les parois intérieures ne sont pas installées.
- N'ajustez jamais les commandes.
- Pour réduire les risques de blessures, ne permettez pas aux enfants de jouer à proximité du lave-vaisselle.
- Sous certaines conditions, de l'hydrogène peut se produire dans les systèmes d'eau chaude qui n'ont pas été utilisés pendant deux semaines ou plus.

#### **L'HYDROGÈNE EST UNE MATIÈRE**

**EXPLOSIVE.** Si le système d'eau chaude n'a pas été utilisé pendant une longue durée, ouvrez tous les robinets à eau chaude et laissez couler l'eau pendant quelques minutes avant d'utiliser le lave-vaisselle. Ceci permet l'évacuation de l'hydrogène accumulé. Le gaz hydrogène est inflammable. Évitez de fumer pendant cette procédure et éloignez l'appareil des flammes nues.

- **IMPORTANT :** lors de l'enlèvement de votre ancien lave-vaisselle, obéissez toujours aux consignes de sûreté fondamentales. Retirez la porte du cabinet. S'il n'est pas possible d'enlever la porte, démontez et/ou mettez hors d'état le mécanisme de verrouillage de la porte. Ceci préviendra que les enfants puissent s'enfermer accidentellement à l'intérieur du lave-vaisselle.

## CONSERVEZ CES INSTRUCTIONS



### ATTENTION



**Consignes de sécurité liées au risque d'incendie, e choc électrique ou de blessures corporelles.**

#### Exigences électriques :

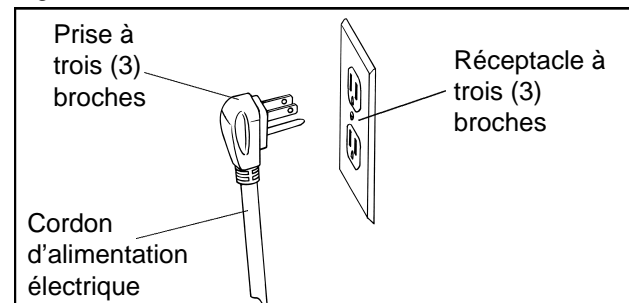
Les installations électriques nécessaires pour l'opération de cet appareil électroménager sont :  
120 volts CA/60 Hz.

**Pour assurer votre sûreté personnelle, cet appareil électroménager doit être mis à la terre.**

L'appareil est doté d'un cordon d'alimentation dont la fiche comporte trois broches, dont une de mise à la terre. Pour minimiser les risques de chocs électriques, la fiche doit être branchée dans une prise de courant à trois orifices mise à la terre.

#### Instructions de mise à la terre :

Cet appareil doit être mis à la terre. S'il y a une défektivité ou une panne, la mise à la terre réduit le risque de choc électrique en donnant une voie de moindre résistance au courant électrique. Cet appareil est équipé d'un cordon d'alimentation pourvu d'un conducteur et d'une prise de mise à la terre d'équipement. La prise doit être branchée dans une prise murale adéquate, et installée et mise à la terre selon toutes les normes et ordonnances régionales.





## ATTENTION



**Un boyau de pulvérisation distinct à l'évier peut éclater s'il est installé sur la même conduite d'eau que le lave-vaisselle. Si votre évier est muni d'un tel boyau de pulvérisation, il est recommandé de le débrancher.**

Si votre adaptateur actuel pour robinet n'est pas compatible avec l'assemblage du boyau d'entrée d'eau à raccord rapide fourni :

- Installez l'adaptateur pour robinet (fourni avec le lave-vaisselle) sur votre robinet :
- Si votre robinet est à raccord « male » seulement (fileté), utilisez la rondelle standard en caoutchouc (2mm d'épaisseur) fournie à l'intérieur de l'adaptateur.

## Pression d'eau

Pour un meilleur usage, la pression d'eau à l'entrée doit être de 15 à 120 livres par pouce carré (psi). L'arrivée d'eau du lave-vaisselle est commandée par un pressostat.

Si la pression d'eau est basse dans votre domicile, la durée de remplissage de votre lave-vaisselle sera plus longue.

## POUR LE MEILLEUR RENDEMENT DE LAVAGE :

Votre lave-vaisselle lave en vaporisant un mélange d'eau chaude et de détergent sur la surface souillée de la vaisselle. L'eau (sous pression) est pompée dans un gicleur, le faisant ainsi pivoter, ce qui projette des jets d'eau sur la vaisselle. L'eau est ensuite vidangée à travers un filtre de cuve (retirant ainsi les particules d'aliments solides) et circulée de nouveau jusqu'au gicleur. L'eau souillée est vidangée par pompage et remplacée par de l'eau fraîche à la fin de chaque cycle.

**REMARQUE :** le filtre de la cuve doit être nettoyé après chaque usage.

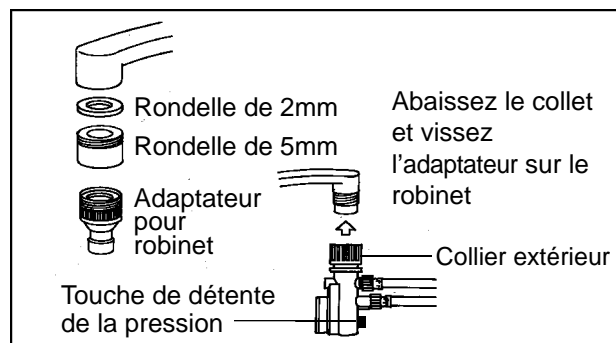
Le système ménager d'eau chaude doit être réglé à un minimum de 120°F (49°C).

## Raccord du lave-vaisselle

Votre lave-vaisselle est muni d'un assemblage de boyaux à raccord rapide (remplissage et vidange) et d'un adaptateur pour robinet.

- Installez l'adaptateur sur le robinet.
- Ouvrez lentement le robinet et assurez-vous de l'absence de fuites.
- Refermez le robinet et réparez les fuites à l'aide de ruban en Teflon.

- Si votre robinet comporte un raccord « femelle » (fileté), insérez les deux rondelles de caoutchouc (2mm et 5mm) dans l'adaptateur pour robinet.
- Le dégagement minimum requis en hauteur pour l'installation de ce lave-vaisselle sur un comptoir avec armoires supérieures (suspendues) est de 17-1/2 po (44,4cm).
- Assurez-vous que la prise de courant se trouve à portée du cordon d'alimentation (le cordon d'alimentation mesure 6 pieds/182,8 cm).
- Assurez-vous que l'alimentation en eau (raccord) se trouve à portée de l'assemblage des boyaux d'entrée et de vidange d'eau (l'assemblage des boyaux mesure 5 pieds / 152,4 cm).
- Le lave-vaisselle doit être installé sur une surface solide et à niveau.
- Pour mettre le lave-vaisselle à niveau, ajustez les vis de mise à niveau (pieds) sous le lave-vaisselle.



- Raccordez le boyau de vidange (petit raccord) au port de vidange à l'arrière du cabinet du lave-vaisselle.
- Raccordez le boyau d'entrée d'eau chaude (grand raccord) à la soupape d'entrée d'eau à l'arrière du cabinet du lave-vaisselle. Resserrez-le mais évitez de trop le serrer, ce qui pourrait endommager le filetage.
- Raccordez l'assemblage de boyaux à raccord rapide à l'adaptateur pour robinet en tirant doucement vers le bas le collier externe de verrouillage du raccord rapide tout en tirant vers le haut l'accessoire de l'adaptateur pour robinet.
- Une fois que le raccord rapide s'enclenche dans l'adaptateur pour robinet, relâchez le collier de verrouillage. Assurez-vous que la connexion est bien faite.
- Ouvrez lentement l'alimentation en eau et assurez-vous de l'absence de fuites aux raccords des boyaux.
- Si des fuites sont présentes, fermez immédiatement l'alimentation en eau et réparez le(s) raccord(s) défectueux.

## Solutions aux problèmes communs du lave-vaisselle

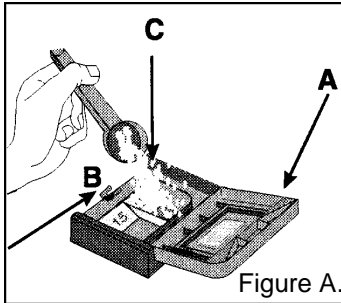
PROBLÈME	CAUSES POSSIBLES	SOLUTIONS POSSIBLES
<b>Le lave-vaisselle ne se met pas en marche</b>	<ul style="list-style-type: none"> <li>• Lave-vaisselle n'est pas alimenté.</li> <li>• Porte n'est pas bien fermée.</li> <li>• Lave-vaisselle n'est pas à niveau.</li> </ul>	<ul style="list-style-type: none"> <li>• Vérifiez la connexion électrique, la fusible/disjoncteur.</li> <li>• Assurez que la porte est bien fermée et enclenchée.</li> <li>• Mettez l'appareil à niveau.</li> </ul>
<b>La vaisselle est sale</b>	<ul style="list-style-type: none"> <li>• Chargement incorrect du lave-vaisselle.</li> <li>• Température de l'eau d'entrée n'est pas assez chaude.</li> <li>• Le bras gicleur ne tourne pas librement.</li> <li>• Quantité insuffisante de détergent et/ou détergent incorrect.</li> <li>• Vaisselle n'est pas bien rincée.</li> <li>• Conduite d'eau pliée par une installation incorrecte.</li> </ul>	<ul style="list-style-type: none"> <li>• Placez la vaisselle d'une façon que la vaporisation d'eau touche toutes les surfaces.</li> <li>• Ne pas surcharger le lave-vaisselle.</li> <li>• Haussez la température de l'eau.</li> <li>• Vérifiez qu'aucune obstruction empêche l'action du bras gicleur (ex., ustensiles).</li> <li>• Vérifiez que le filtre n'a pas été déplacé et ne bloque pas l'action du bras gicleur.</li> <li>• Utilisez encore plus de détergent.</li> <li>• N'utilisez pas de détergent solide ou granuleux.</li> <li>• Utilisez seulement le détergent conçu pour le lave-vaisselle.</li> <li>• Les restes d'aliments et de liquides doivent être enlevés avant de placer la vaisselle dans le lave-vaisselle.</li> <li>• Éliminez les plis de la conduite d'eau.</li> </ul>
<b>Les verres sont éclatés ou brisés</b>	<ul style="list-style-type: none"> <li>• Chargement incorrect de la vaisselle.</li> </ul>	<ul style="list-style-type: none"> <li>• Ne pas surcharger le panier à vaisselle. Chargez les verres dans le panier supérieur, non pas sur les tiges du panier. Les verres chargés sur les tiges du panier ne sont pas bien supportés et peuvent être endommagés.</li> </ul>
<b>L'eau ne se vide pas du fond du lave-vaisselle</b>	<ul style="list-style-type: none"> <li>• Une petite quantité d'eau (pour l'amorçage) est normale.</li> <li>• Quantité excessive d'eau : le cycle n'est pas fini.</li> </ul>	<ul style="list-style-type: none"> <li>• La pompe doit toujours être amorcée et est vidée automatiquement au début de chaque cycle.</li> <li>• Le lave-vaisselle doit compléter tout le cycle.</li> </ul>

## DIRECTIVES D'UTILISATION

Avant de faire démarrer le lave-vaisselle, assurez-vous que tous les raccords des boyaux sont bien en place et qu'aucune fuite n'est visible.

**Porte avant :** pour ouvrir la porte avant, appuyez sur la touche d'ouverture de la porte et la porte s'ouvrira automatiquement (en partie). Pour l'ouvrir en entier, abaissez-la.

**Chargement du détergent (distributeur automatique) :** pour ouvrir le couvercle « A » du distributeur, appuyez sur la touche « B ». Versez la quantité recommandée de détergent dans le compartiment « C ». Refermez le couvercle qui se verrouillera en place. (Fig. A)



**Agent de rinçage :** dévissez le capuchon et versez la quantité recommandée d'agent de rinçage (59 ml/2 onces liquides) dans le distributeur. Évitez de trop remplir.

**Chargement de la vaisselle :** tirez le panier à vaisselle jusqu'à ce qu'il s'arrête au niveau de la porte. Chargez la vaisselle sale en vous assurant que les surfaces souillées font face au centre de la cuve (Voir la page 15).

Pour faciliter le chargement des grandes assiettes à dîner, il sera nécessaire de retirer le panier à ustensiles du panier à vaisselle. Une fois le chargement terminé, remettez en place le panier à ustensiles.

**Chargement des ustensiles :** les ustensiles doivent être placés dans le panier à ustensiles le manche vers le bas. Pour éviter les coupures, faites attention en chargeant/déchargeant les ustensiles. Une fois le chargement terminé, glissez le panier à vaisselle dans le lave-vaisselle.

**Fermeture de la porte :** soulevez la porte et appuyez fermement pour la fermer. Un « clic » sera entendu indiquant qu'elle est bien verrouillée en place.

**Sélection du programme :** avant de sélectionner un programme, assurez-vous que la touche de mise en marche/arrêt est en mode d'arrêt. Faites tourner le cadran dans le sens des aiguilles d'une montre jusqu'à ce que le point de la minuterie s'aligne avec le programme désiré.

**Sélection du mode Sani ou Écono :** appuyez sur la touche « Sani/Écono » du tableau de commande. Lorsque la touche est enfoncée, vous êtes en mode Sani. Lorsque la touche est ressortie, vous êtes en mode Écono. Le voyant témoin rouge à côté de la touche ne s'allume que lorsque vous choisissez le mode Sani et que l'appareil est en marche.

**Démarrage du lave-vaisselle :** vous ne devez faire démarrer le lave-vaisselle qu'après avoir choisi le mode Sani ou le mode Écono. Appuyez sur la touche de mise en marche/arrêt pour faire démarrer le lave-vaisselle. Le voyant témoin vert à côté de la touche de marche/arrêt indique que le lave-vaisselle est en marche.

**REMARQUE :** une fois que le lave-vaisselle termine son programme, le voyant témoin Sani et le voyant témoin de mise en marche demeureront allumés jusqu'à ce que l'appareil soit éteint.

**REMARQUE :** le cycle de lavage/rinçage peut être interrompu en tout temps pendant l'usage en ouvrant doucement la porte (pour éviter les éclaboussures). Ceci vous permet d'ajouter ou de retirer de la vaisselle au besoin. Une fois la porte fermée, le cycle recommence au point où il s'était interrompu. Après avoir fini d'utiliser le lave-vaisselle, éteignez-le à l'aide de la touche de marche/arrêt.

**REMARQUE :** faites preuve de précaution lorsque vous déchargez la vaisselle immédiatement après qu'un cycle vienne de terminer. Le dernier cycle de rinçage fait hausser la température de l'eau jusqu'à 160F/71C sans égard au mode de réglage choisi.

La vaisselle sera très chaude et difficile à manipuler. Attendez quelques minutes pendant que la vaisselle refroidit et ouvrez partiellement la porte pour accélérer le refroidissement.

### Soin et entretien

**Filtre de la cuve :** pour un meilleur rendement et des résultats optimaux, le filtre doit être nettoyé après chaque usage. Pour retirer l'assemblage du filtre, tirez sur sa poignée. Rincez le filtre sous de l'eau courante pour en retirer les particules d'aliments solides. Remettez ensuite le filtre dans le lave-vaisselle.

**N'UTILISEZ JAMAIS LE LAVE-VAISSELLE SANS QUE LE FILTRE SOIT EN PLACE.**

**Gicleur :** des particules d'aliments pourraient s'incruster dans le gicleur et en bloquer les orifices. Vérifier le gicleur régulièrement et nettoyez-le au besoin.

**Après chaque lavage :** coupez l'alimentation en eau et débranchez le tuyau d'entrée d'eau. Laissez la porte entr'ouverte afin de laisser s'échapper l'humidité et les odeurs.

**Nettoyage :** pour nettoyer le cabinet extérieur et les joints d'étanchéité de la porte, évitez d'utiliser des solvants ou produits nettoyants abrasifs. Utilisez une eau chaude savonneuse et un chiffon doux. Pour enlever les taches dans la cuve/la porte en acier inoxydable, utilisez un chiffon humecté d'eau et de vinaigre blanc. Vous pouvez également utiliser des produits spécialement conçus pour les lave-vaisselle.

verrouillage. Vérifiez l'ajustement du raccord.

- Ouvrez lentement la poignée d'eau chaude, vérifiez qu'il n'y a pas de fuite d'eau sur le raccord du conduit. S'il se trouve des fuites, fermez immédiatement la poignée d'eau chaude et faites la réparation des raccords qui ont des fuites.

Si vous ne pouvez pas éliminer les fuites complètement, téléphonez notre numéro de

**SERVICE À LA CLIENTÈLE au  
1-800-26-DANBY pour obtenir de l'aide.**



## IMPORTANT



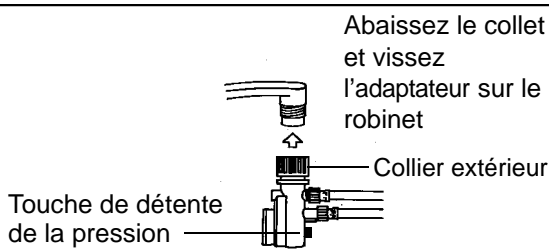
Une fois que vous ouvrez la conduite d'eau, le tuyau d'entrée d'eau est pressurisé (même si vous fermez immédiatement la conduite après l'avoir ouverte).



## IMPORTANT



Pour dépressuriser la pression d'eau à l'intérieur du conduit, il faut s'assurer que l'alimentation d'eau (robinet) est fermée. Appuyez et tenez le bouton rouge de dépressurisation qui se trouve sur le montage du raccord rapide, jusqu'à ce que l'eau soit complètement écoulee.



## ATTENTION



**FAUTE DE DÉPRESSURISER LA PRESSION D'EAU AVANT DE DÉBRANCHER LE MONTAGE DE RACCORD RAPIDE DU ROBINET, RISQUE UN ÉCLAT D'EAU OCCASIONNÉ PAR UN REFOULEMENT DE PRESSION. LA TEMPÉRATURE DE L'EAU PEUT ÊTRE TRÈS CHAUDE ET L'ÉCLAT D'EAU VAPORISÉE PEUT CAUSER DES BRÛLURES GRAVES.**



## PRÉCAUTION



**LES ENFANTS NE DOIVENT PAS DÉBRANCHER LE LAVE-VAISSELLE.** La supervision des enfants autour des appareils ménagers est très importante.

**Remarque: Le fait d'utiliser de l'eau dure nuit au rendement de votre lave-vaisselle. L'eau dure contribue également au dépôt de calcaire (pellicule blanche) et (ou) à l'entartrage des surfaces en acier inoxydable de la cuve du lave-vaisselle et de l'élément chauffant situé sous le filtre amovible. Pour minimiser ces conditions, il est recommandé de faire fonctionner (rincer) le lave-vaisselle à vide en n'y mettant qu'une tasse de vinaigre blanc (au moins une fois par semaine).**

## Pour débrancher le lave-vaisselle

- Fermez l'alimentation d'eau chaude par la poignée.
- Débranchez le cordon d'alimentation.
- Il faut se rappeler de dépressuriser la pression d'eau à l'intérieur du conduit d'eau. Appuyez et retenez le bouton noir de dépressurisation sur le montage de raccord rapide jusqu'à ce que l'eau soit complètement écoulee.
- Débranchez l'assemblage de tuyau du robinet en tirant vers le bas par le cou du robinet. Quand l'appareil n'est pas en marche gardez le tuyau sur le support suspendu qui se trouve en arrière du cabinet de la lave-vaisselle.

## Chargement du lave-vaisselle

Le lave-vaisselle est conçu pour contenir 4 couverts standards d'assiettes qui comprennent:

- 4 assiettes
  - 4 couteaux de table
  - 4 assiettes à dessert
  - 4 fourchettes à salade
  - 4 bols à fruits
  - 4 cuillers à thé
  - 4 tasses et assiettes à thé
  - 2 cuillers de service
  - 4 fourchettes de table
  - 1 fourchette de service
- Pour rendre le chargement/déchargement plus facile pour les assiettes plus grosses, ça pourrait être nécessaire d'enlever (temporairement) le panier des ustensiles. Quand vous avez fini le chargement remettez le panier des ustensiles à sa place originale.

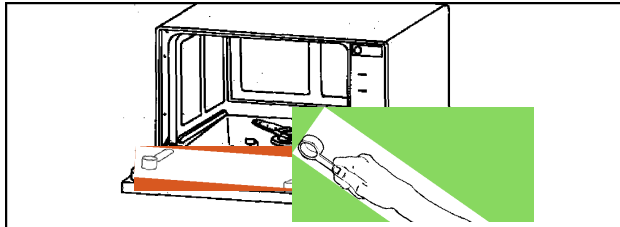
## Préparation de la vaisselle pour le lavage

- Enlevez en raclant les particules d'aliments de la vaisselle.
- Enlevez les quantités excessives d'huile ou de gras.
- Videz tous les liquides des verres ou tasses.
- Toute la vaisselle doit être complètement rincée (utilisez l'option de pré-rinçage), si vous ne désirez pas laver la vaisselle immédiatement.

**REMARQUE: Les aliments séchés sur la vaisselle sont plus difficiles à laver et peuvent rester sale après un cycle de lavage normal.**

## Utiliser le bon détergent

Utilisez les détergents pour lave-vaisselle seulement : tout autre type de détergent causera un sur-savonnage et, possiblement, des fuites. Si votre détergent date de longtemps et/ou qu'il est en grumeaux, jetez-le. Le vieux détergent perd sa puissance nettoyante. Le détergent en grumeaux pourrait ne pas dissoudre.



## Quantité de détergent à utiliser

- **Prélavage** : aucun détergent requis – cycle de rinçage seulement
- **Lavage normal** :  
Ajoutez 10 grammes (1 cuillerée à thé) de détergent dans le distributeur automatique (couvre deux lavages)  
Ajoutez 10 grammes (1 cuillerée à thé) de détergent dans le creux pour détergent dans la porte (couvre le premier lavage)
- **Court lavage** :  
Ajoutez 10 grammes (1 cuillerée à thé) de détergent dans le distributeur automatique seulement.
- **Rinçage** : recommandé pour la verrerie  
Ajoutez 10 grammes (1 cuillerée à thé) de détergent dans le creux pour détergent dans la porte (pour plus de détails, consultez le sommaire du programme)

## Usage d'un agent de rinçage

Vous pouvez prévenir l'apparition de taches inesthétiques sur la vaisselle et la verrerie en utilisant un agent de rinçage. Celui-ci accélère également le séchage. L'agent de rinçage est spécialement formulé pour rincer les résidus d'aliments et de détergent pouvant adhérer à la vaisselle. En l'utilisant régulièrement, l'agent de rinçage vous donnera automatiquement une vaisselle plus propre lors de chaque lavage.

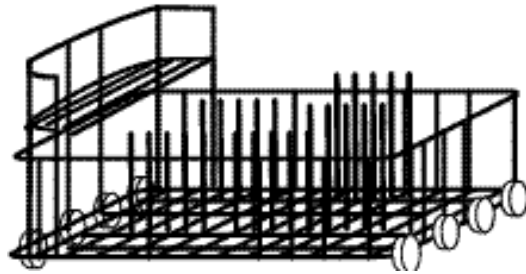
Le distributeur d'agent de rinçage se trouve du côté gauche de la paroi intérieure de la porte. Pour remplir le distributeur, dévissez-en le capuchon dans le sens contraire des aiguilles d'une montre. Versez l'agent de rinçage lentement dans le contenant jusqu'à ce que le niveau du liquide atteigne le fond du contenant. Évitez de trop le remplir. Le distributeur relâche automatiquement dans le lave-vaisselle la quantité nécessaire d'agent de rinçage au cours du dernier cycle de rinçage chauffé. Le distributeur d'agent de rinçage contient environ 59 ml (2 onces liquides).

**REMARQUE** : l'eau dure peut affecter la lavabilité. L'eau dure cause également des dépôts de chaux (substance blanche) et/ou un problème de tartrage qui apparaîtra sur la surface de la cuve en acier inoxydable, sur le joint d'étanchéité de la porte et sur les éléments chauffants. Pour minimiser ces conditions, faites fonctionner le lave-vaisselle à vide de temps à autre en ajoutant une tasse de vinaigre blanc à l'eau de lavage. Laissez alors le lave-vaisselle compléter un cycle complet.

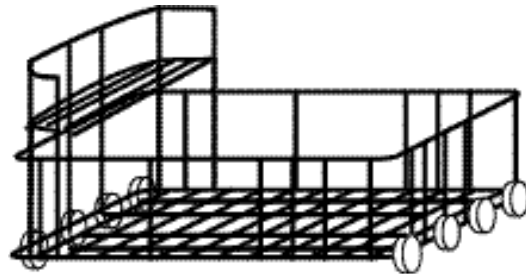
## AVERTISSEMENT

Afin que le système de boyaux de vidange fonctionne correctement, la distance maximale entre le raccord rapide et le bas du lave-vaisselle ne devra pas dépasser 15 cm.

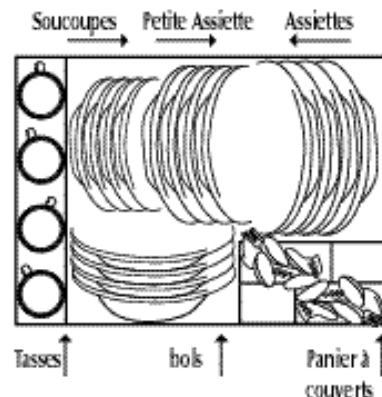
## Panier à vaisselle



## Panier à vaisselle converti en panier à verres



## La Méthode de charger l'égouttoir à vaisselle



## Sommaire du prélavage

Le programme de prélavage est une fonction pratique qui permet à la vaisselle d'être rincée lorsque le lave-vaisselle ne contient pas assez de vaisselle pour justifier un lavage complet. Le prélavage prévient que les aliments sèchent et adhèrent à la vaisselle. Il n'est pas nécessaire d'ajouter du détergent pendant un cycle de prélavage. Il est important de vous assurer que l'eau d'entrée est chaude. Ouvrez le robinet d'eau chaude et laissez-le couler jusqu'à ce que l'eau soit bien chaude avant de raccorder le lave-vaisselle.

**Remarque : au début de tous les programmes, le lave-vaisselle débute en mode de vidange.**

**La pompe de vidange contient toujours une petite quantité d'eau (dans le bassin) provenant du cycle précédent. Ceci est nécessaire pour assurer que la pompe demeure amorcée. Ne vous inquiétez pas de voir de petites quantités d'eau se déverser du boyau de vidange avant le début du cycle ou s'il reste de l'eau dans le bassin en fin de cycle. (CECI EST NORMAL.)**

## Sommaire du mode Sani/Écono

La fonction « Sani » utilise l'élément chauffant pour hausser la température de l'eau de lavage jusqu'à 160°F (71°C).

Pour mettre cette fonction en marche, appuyez sur la touche « Sani/Écono » sur le tableau de commande.

- Le voyant témoin rouge à côté de la touche indique que le mode Sani a été choisi.

Pour arrêter la fonction Sani, appuyez sur la touche « Sani/Écono » encore une fois. Vous verrez s'éteindre le voyant témoin rouge.

- Si vous choisissez d'utiliser la fonction « Écono », (aucun voyant allumé), la vaisselle sera lavée avec une eau chaude normale seulement. Nous recommandons une température d'eau chaude ménagère d'au moins 120°F (49°C). Sinon, la lavabilité pourrait être affectée.

**REMARQUE SPÉCIALE :** pendant le cycle de rinçage final des programmes NORMAL/COURT/RINÇAGE, l'élément chauffant sera mis en marche automatiquement, sans égard au réglage « Sani/Écono ». Cette fonction vous propose des conditions optimales de distribution de l'agent de rinçage et accélère le séchage de la vaisselle.

## SOMMAIRE DES PROGRAMMES

### PRÉLAVAGE (MODE ÉCONO)

Température de l'eau : Température ménagère normale  
Programme : Un cycle de rinçage  
Consommation d'eau : 3,0 litres / 0,79 gal/US.  
Durée du programme : 6 min.

## Sommaire des programmes

### LAVAGE NORMAL (MODE ÉCONO)

Température de l'eau : Température ménagère normale  
Programme : Deux cycles de lavage, deux cycles de rinçage  
Consommation d'eau : 12,0 litres / 3,2 gal/US.  
Durée du programme : 42 min

### COURT LAVAGE (MODE ÉCONO)

Température de l'eau : Température ménagère normale  
Programme : Un cycle de lavage, deux cycles de rinçage  
Consommation d'eau : 9,0 litres / 2,4 gal/US.  
Durée du programme : 29 min

### LAVAGE NORMAL (MODE SANI)

Température de l'eau : 160°F (71°C)  
Programme : Deux cycles de lavage, deux cycles de rinçage  
Consommation d'eau : 12,0 litres / 3,2 gal/US.  
Durée du programme : 47 min

### COURT LAVAGE (MODE SANI)

Température de l'eau : 160°F (71°C)  
Programme : Un cycle de lavage, deux cycles de rinçage  
Consommation d'eau : 9,0 litres / 2,4 gal/US.  
Durée du programme : 29 min

### RINÇAGE (SANI/ÉCONO) CONÇU POUR LA VERRERIE

Température de l'eau : Température ménagère normale  
Programme : Deux cycles de rinçage  
Remarque : le premier cycle peut être utilisé comme un cycle de lavage.  
Consommation d'eau : 6,0 litres / 1,6 gal/US.  
Durée du programme : 20 min

**NOTE :** pendant le 1<sup>er</sup> cycle du programme de RINÇAGE, la fonction Sani n'est pas mise en marche, sans égard au réglage « SANI/ÉCONO ».

## Free Manuals Download Website

<http://myh66.com>

<http://usermanuals.us>

<http://www.somanuals.com>

<http://www.4manuals.cc>

<http://www.manual-lib.com>

<http://www.404manual.com>

<http://www.luxmanual.com>

<http://aubethermostatmanual.com>

Golf course search by state

<http://golfingnear.com>

Email search by domain

<http://emailbydomain.com>

Auto manuals search

<http://auto.somanuals.com>

TV manuals search

<http://tv.somanuals.com>