

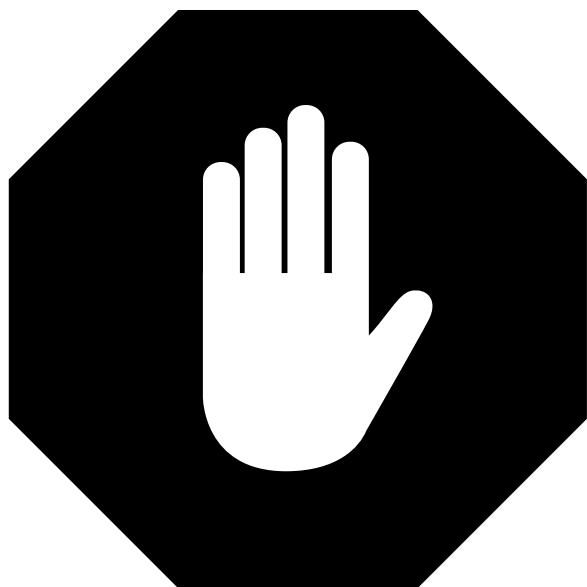


- Owner's Use and Care Guide
- Guide d'utilisation et Soins de Propriétaire

**DISHWASHER
LAVE-VAISSELLE**

Model • Modèle **DDW611WLED**





**1-800-263-2629
(1-800-26-DANBY)**

**DO NOT RETURN THIS UNIT TO THE RETAILER
WITHOUT FURTHER INSTRUCTIONS**

Dear valued customer, we hope your Danby product purchase fulfills all your requirements. Your satisfaction is our priority!
Please contact us at our toll free consumer service number for any inquiries you may have about your new unit.

**NE PAS RETOURNER CET APPAREIL CHEZ LE
DÉTAILLANT SANS CONSIGNES SUPPLÉMENTAIRES**

Cher(ère) client(e) important(e), nous espérons que votre produit Danby répond à tous vos besoins. Votre satisfaction est notre priorité!
Veuillez nous contacter au numéro gratuit de service après-vente, si vous avez des questions quelconques à propos de votre nouvel appareil.

Contents / Table des matières

DISHWASHER

Owner's Use and Care Guide

• Welcome	2
• Safety Instructions	3
• Operating Instructions	4
- Prior using for the first time	5-8
- Loading the dishwasher basket	9-11
- Starting a washing program	12-13
• Installation Instructions	14-17
• Care and Maintenance	17-19
• Troubleshooting	20
• Warranty	21

LAVE-VAISSELLE

Guide d'utiliser et soin de propriétaire

• Bienvenue	22
• Consignes de Sécurité Important	23
• Consignes d'utilisation	24
- Avant d'utiliser l'appareil pour la première fois	25-28
- Comment charger le panier du lave-vaisselle	29-31
- Comment lancer un programme de lavage	32-33
• Instructions d'installation	34-37
• Soins et entretien	37-39
• Dépannage	40
• Garantie	41

CAUTION

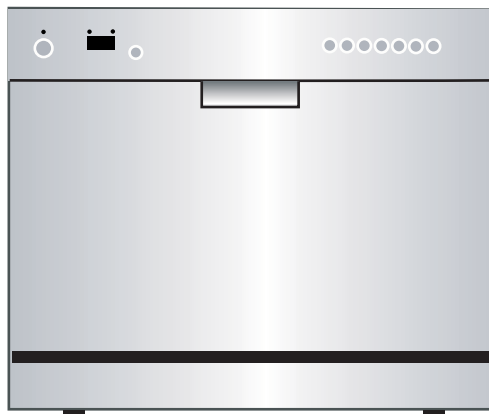
Read and follow all safety rules and operating instructions before first use of this product.

Never operate the appliance unattended!

PRECAUTION:

Veillez lire attentivement les consignes de sécurité et les instructions d'utilisation avant l'utilisation initiale de ce produit.

Ne jamais faire fonctionner l'appareil sans surveillance!



Model • Modèle • DDW611WLED

Welcome

Thank you for choosing a Danby appliance.

This Owner's Use and Care Guide will provide you with valuable information necessary for the proper care and maintenance of your new appliance. If properly maintained, your Danby appliance will give you many years of trouble free operation. Please take a few moments to read the instructions thoroughly and familiarize yourself with all of the operational aspects of this appliance.

For easy reference, may we suggest you attach a copy of your sales slip/receipt to this page, along with the following information.

Model Number:	_____
Serial Number:	_____
Date of Purchase:	_____

This information will be necessary if your unit requires servicing and/or for general inquiries. To contact a Customer Service Representative, call Danby **TOLL FREE: 1-800-263-2629**



Important Safety Information

READ AND FOLLOW ALL SAFETY INSTRUCTIONS

When using your dishwasher, follow the precautions listed below:

GROUNDING INSTRUCTIONS

This appliance must be grounded. In the event of a malfunction or breakdown, grounding will reduce the risk of electric shock by providing a path of least resistant electric current. This appliance is equipped with a cord having a equipment grounding conductor and a grounding plug.

The plug must be plugged into an appropriate outlet that is installed and grounded in accordance with all local codes and ordinances.

WARNING

- **Improper connection of the equipment-grounding conductor can result in a risk of electric shock.**
- **Check with a qualified electrician or service representative if you are not sure if the appliance is properly grounded. Do not modify the plug provided with the appliance; if it does not fit into the outlet have a proper outlet installed by a qualified electrician.**

SAFETY PRECAUTIONS

- Do not abuse, sit on, or stand on the door or dish rack of the dishwasher.
- Do not touch the heating element during or immediately after use. (These instructions are only applicable to machines with a visual heating element).
- Do not operate your dishwasher unless all enclosure panels are properly in place.
- Do not place any heavy objects on the door when it is open. The appliance could tip forward.

• When loading items to be washed:

- 1) Locate sharp items so that they are not likely to damage the door seal;
- 2) Warning: Knives and other utensils with sharp points must be loaded in the basket with their points down or placed in a horizontal position.

- When using your dishwasher, you should prevent plastic items from coming into contact with a heating element. (These instructions are only applicable to machines with a visual heating element).
- Check that the detergent receptacle is empty after completion of the wash cycle.
- Do not wash plastic items unless they are marked dishwasher safe or equivalent. For plastic items not marked, check the manufacturer's recommendations.
- Use only detergent and rinse additives designed for an automatic dishwasher.
- Never use soap, laundry detergent, or hand washing detergent in your dishwasher. Keep these products out of the reach of children.

- Keep children away from detergent and rinse aid and keep children away from the open door of the dishwasher. There could still be some detergent left inside.
- This appliance is not intended for use by people (including children) with reduced physical, sensory or mental capabilities, or lack of experience and knowledge, unless they have been given supervision or instructions concerning the use of the appliance by a person responsible for their safety.
- Children should be supervised to ensure that they do not play with the appliance.
- Dishwasher detergents are strongly alkaline, they can be extremely dangerous if swallowed. Avoid contact with skin and eyes and keep children away from the dishwasher when the door is open.
- The door should not be left in the open position since this could present a tipping hazard.
- If the supply cord is damaged, it must be replaced by a qualified person in order to avoid a hazard.
- Remove the door of the dishwasher when discarding it.
- Please dispose of packing materials properly.
- Use the dishwasher only for its intended function.
- During installation, the power supply must not be excessively or dangerously bent or flattened. Do not tamper with controls.
- The appliance is to be connected to the water tap using new hose sets and the old hose-sets should not be reused.
- The maximum number of place settings to be washed is 6.
- The maximum permissible inlet water pressure is 85 PSI.
- The minimum permissible inlet water pressure is 25 PSI.

SAVE THESE INSTRUCTIONS

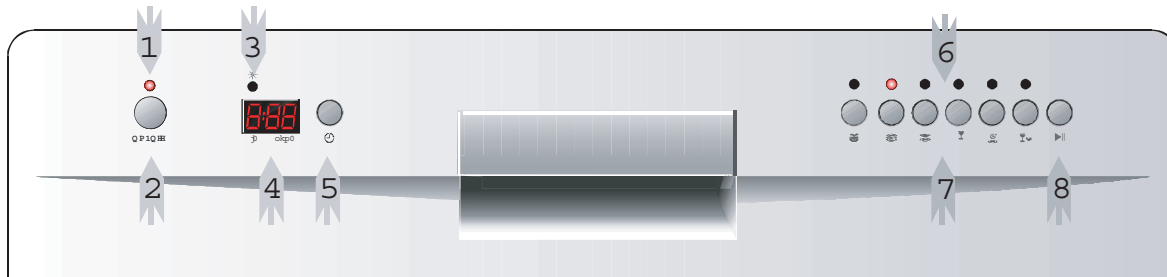


Operating Instructions

READ AND FOLLOW ALL OPERATING INSTRUCTIONS

To get the best performance from your dishwasher, read all operating instructions before using it for the first time.

CONTROL PANEL



1) Power on light: To come on when Power ON/OFF button is pressed down.

2) ON/OFF Button: To turn on/off the power supply.

3) Rinse Aid Warning Light : To be on when the rinse aid dispenser needs to be refilled.

4) Delay time: To display cycle time.

(or)

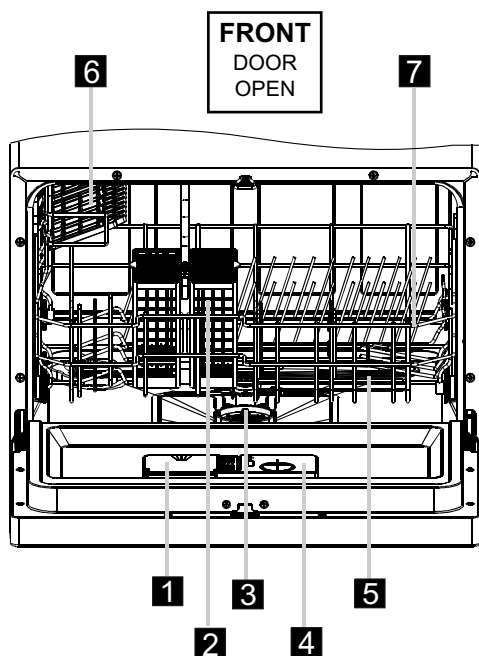
5) Press this button to set a delayed start time. You can delay the start time up to 24 hours ahead (one press for one hour.) After setting the delay time, press the Start/Reset button to save it. To remove the delay time, press the Start/Reset button continuously until the display reads "H:00."

6) Program indicator light: Displays which washing program has been selected.

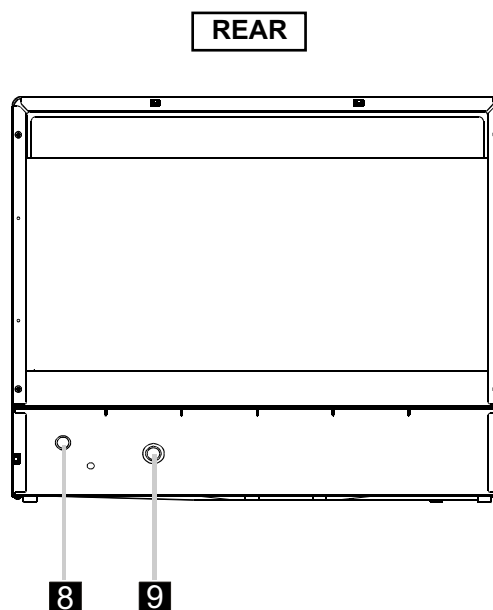
7) Program indicator button: Use these buttons to change from one washing program to another.

8) Start/Reset Button: Press this button to start or pause the dishwasher.

DISHWASHER FEATURES



**FRONT
DOOR
OPEN**



REAR

- 1** Detergent Dispenser
- 2** Cutlery Basket
- 3** Filter assembly
- 4** Rinse Aid Dispenser
- 5** Spray Arms
- 6** Cup Shelf
- 7** Basket
- 8** Drain pipe connector
- 9** Inlet pipe connector



Operating Instructions

PRIOR TO USING FOR THE FIRST TIME

A. FILL THE RINSE AID DISPENSER

RINSE AID DISPENSER

The rinse aid is released during the final rinse to prevent water from forming droplets on your dishes that can leave spots and streaks. It also improves drying by allowing water to sheet off the dishes. Your dishwasher is designed to use liquid rinse aids. The rinse aid dispenser is located inside the door next to the detergent dispenser. To fill the dispenser, open the cap and pour the rinse aid into the dispenser until the level indicator turns completely black. The volume of the rinse aid container is about 110ml.

FUNCTION OF RINSE AID

Rinse aid is automatically added during the last rinse, ensuring thorough rinsing, and spot and streak free drying.

ATTENTION

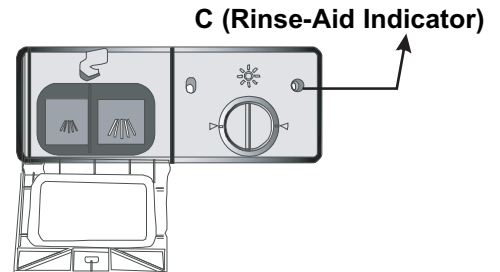
Never fill the rinse aid dispenser with any other substances (e.g. dishwasher cleaning agent, liquid detergent). This would damage the appliance.

WHEN TO REFILL THE RINSE DISPENSER

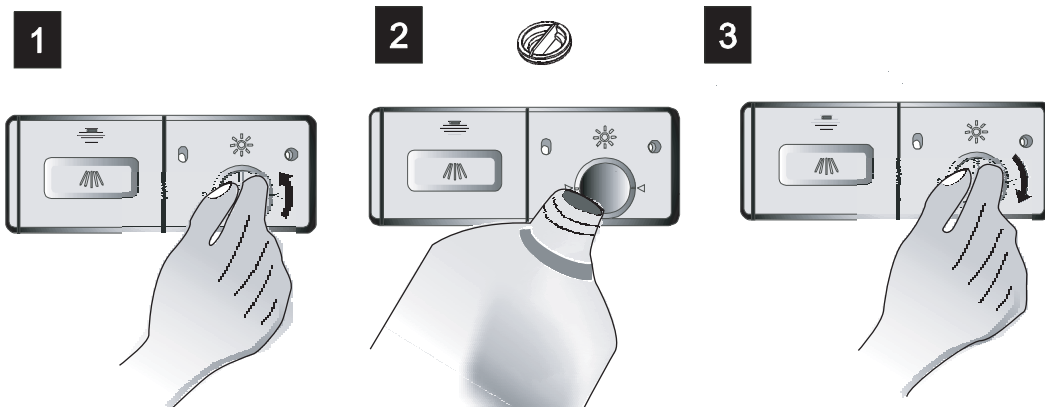
The amount of rinse aid can be judged by the color of the optical level indicator "C" located next to the cap. When the rinse aid container is full, the whole indicator will be black. As the rinse-aid diminishes, the size of the dark dot decreases. You should never let the rinse aid get below 1 / 4 full.

As the rinse aid diminishes, the size of the black dot on the rinse aid level indicator changes, as illustrated below.

- Full
- 3/4 full
- 1/2 full
- 1/4 full should refill to eliminate spotting
- Empty



OPENING THE DISPENSER



ATTENTION

Clean up any rinse aid spills during filling with an absorbent cloth to avoid excessive foaming during the next wash. Don't forget to replace the cap before you close dishwasher door.

- 1 To open the dispenser, turn the cap to the "open" (left) arrow and lift it out.
- 2 Pour the rinse aid into the dispenser, being careful not to overfill.
- 3 Replace the cap by inserting it aligned with "open" arrow and turning it to the closed (right) arrow.



Operating Instructions

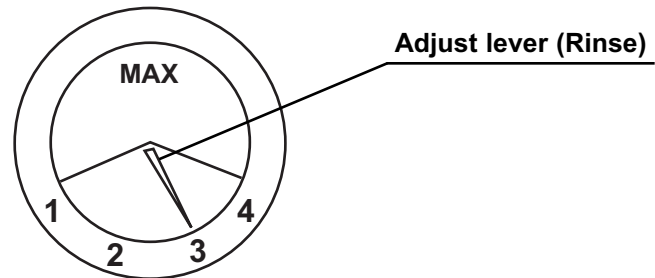
PRIOR USING FOR THE FIRST TIME

A. FILL THE RINSE AID DISPENSER (cont.)

ADJUSTING RINSE AID DISPENSER

The rinse aid dispenser has four settings. The recommended setting is on "3". If the dishes still are not drying properly or are spotted, adjust the dial to the next higher number on "4".

NOTE: Increase the dose if there are drops of water or lime spots on the dishes after washing. Reduce it if there are sticky white stains on your dishes or a blue tinged film on glassware or knife blades.



B. FUNCTION OF DETERGENT

PROPER USE OF DETERGENT

- Detergents with chemical ingredients are necessary to clean dirt from kitchenware and remove it from the dishwasher.
- Use only detergent specifically made for use in dishwashers. Keep your detergent fresh and dry.
- Don't put powder detergent into the dispenser until you're ready to begin a new cycle

DETERGENTS

There are 3 types of detergents.

1. With phosphate and with chlorine
2. With phosphate and without chlorine
3. Without phosphate and without chlorine

CONCENTRATED DETERGENT

Based on their chemical composition, the detergents can be split in two basic types:

- conventional, alkaline detergents with caustic components.
- low alkaline concentrated detergents with natural enzymes.

The use of "normal" washing programs in conjunction with concentrated detergents reduces pollution and is good for your dishes; these wash programs are specially matched to the dirt-dissolving properties of the enzymes of the concentrated detergent. For this reason normal wash programs in which concentrated detergents are used can achieve the same results that can otherwise only be achieved using "intensive" programs.



Operating Instructions

PRIOR TO USING FOR THE FIRST TIME

B. FUNCTION OF DETERGENT (cont.)

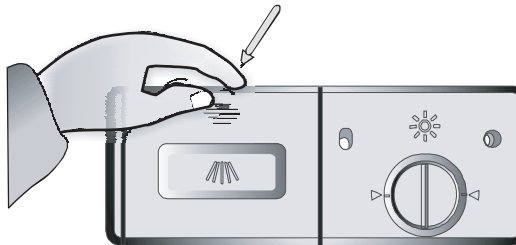
DETERGENT DISPENSER

The dispenser must be refilled before the start of each wash cycle following the instructions provided in the Wash Cycle Table . Your dishwasher uses less detergent and rinse aid than a conventional dishwasher. Generally, only one tablespoon of detergent is needed for a normal wash load. Also, more heavily soiled items need more detergent. Always add the detergent just before starting the dishwasher, otherwise it could get damp and will not dissolve properly.

AMOUNT OF DETERGENT TO USE

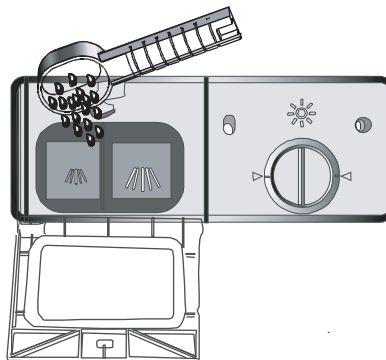
1

Push latch to open



2

 Detergent Powder



- NOTE:**
- If the lid is closed: press release button. The lid springs open.
 - Always add the detergent just before starting each wash cycle.
 - Only use brand name detergents for the dishwasher.

WARNING

Dishwasher detergent is corrosive! Take care to keep it out of reach of children.



Operating Instructions

PRIOR TO USING FOR THE FIRST TIME

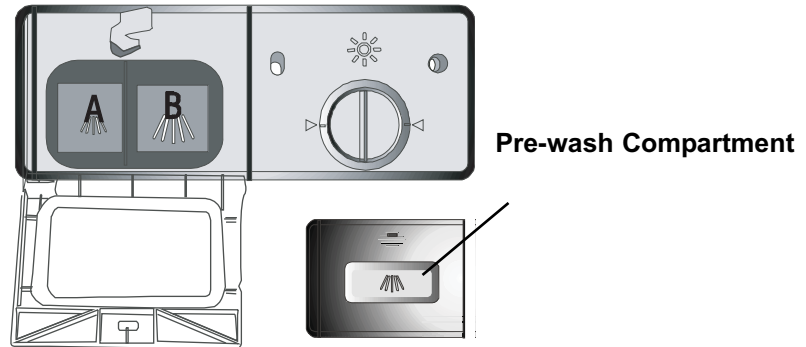
B. FUNCTION OF DETERGENT (cont.)

ADD DETERGENT

Fill the detergent dispenser with detergent. The marking indicates the dosing levels, as illustrated below:

dos-

- A** Can hold 15g of detergent.
- B** Can hold 25g of detergent.



Please see the manufacturer's recommendations for the amount of detergent to use as stated on the detergent packaging.

Close the lid and press until it locks in place.

If the dishes are heavily soiled, place an additional detergent dose in the pre-wash detergent chamber. This detergent will take effect during the pre-wash phase.

NOTE:

- Please be aware, that according to the level of soiling and the specific hardness of water differences are possible.
- Please read the manufacturer's recommendations on the detergent packaging.



Operating Instructions

LOADING THE DISHWASHER BASKETS

RECOMMENDATION

- Consider buying utensils which are identified as dishwasher-proof.
- For particular items, select a program with a low temperature.
- Do not take glass and cutlery out of the dishwasher immediately after the program (wash cycle) has ended as they may be hot.

WASHING CUTLERY/ DISHES

ARE NOT SUITABLE

- Cutlery with wooden, horn china or mother-of-pearl handles.
- Plastic items that are not heat resistant.
- Older cutlery with glued parts that are not temperature resistant.
- Bonded cutlery items or dishes.
- Pewter or copper items.
- Crystal glass
- Steel items prone to rusting.
- Wooden platters
- Items made from synthetic fibres.

ARE OF LIMITED SUITABILITY

- Some types of glasses can become dull after a large number of washes.
- Silver and aluminium parts have a tendency to discolour during/after washing.
- Glazed patterns may fade if machine washed frequently.

BEFORE/AFTER LOADING THE DISH- WASHER BASKETS

(For best performance of the dishwasher, follow these loading guidelines. Features and appearance of baskets and cutlery baskets may vary from your model).

Scrape off any large amounts of left over food. Soften remnants of burnt food in pans. It is not necessary to rinse the dishes under running water.

Place objects in the dishwasher the following way:

1. Items such as cups, glasses, pots/pans, etc. are face down.
2. Curved items, or those with recesses, should be loaded at a slant so the water can run off.
3. All utensils are loaded securely and can not tip over.
4. All utensils are placed in the way that the spray arms can freely rotate during washing.

NOTE: *Very small items should not be washed in the dishwasher as they could easily fall out of the basket.*

- *Dishes and cutlery must not lie inside one another or cover each other.*
- *To avoid damage to glasses, they must not touch.*
- *Load large items which are most difficult to clean into the basket.*
- *Long bladed knives stored in an upright position are a potential hazard!*
- *Long and/or sharp items of cutlery such as carving knives must be positioned horizontally in the rack (basket).*
- *Please do not overload your dishwasher. This is important for good results and for reasonable energy consumption.*



Operating Instructions

LOADING THE DISHWASHER BASKETS

LOADING THE BASKET

Position the dishes and cookware so that they will not get moved by the spraying water.

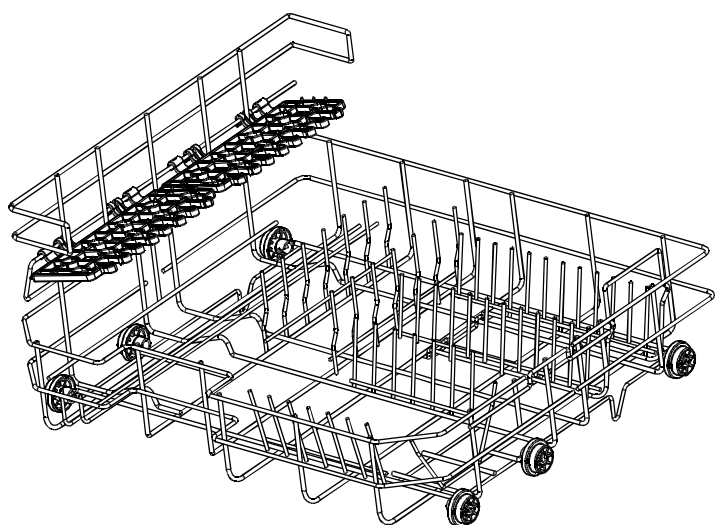
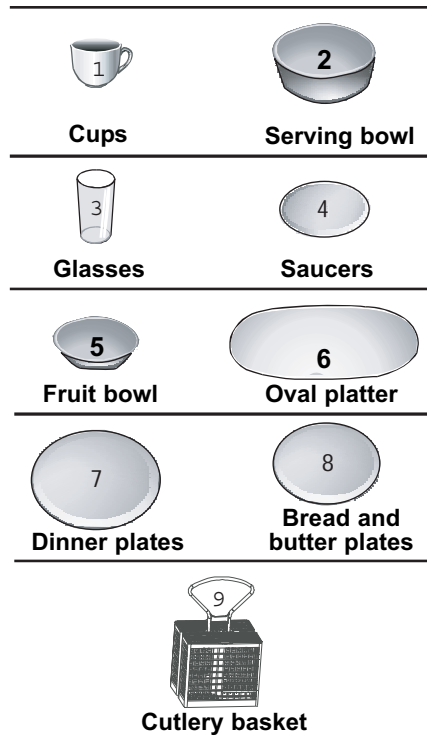
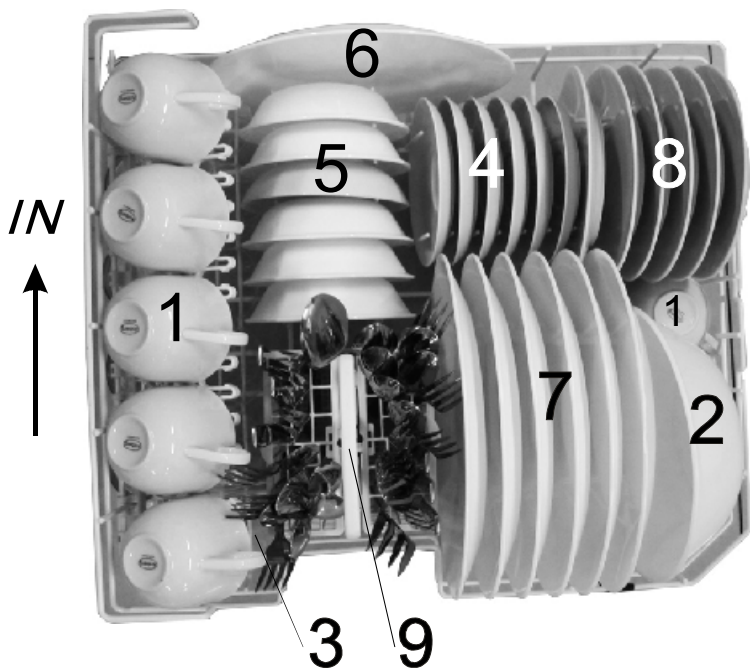


Plate racks in basket

The basket is fitted with plate racks which can be stowed horizontal if required.

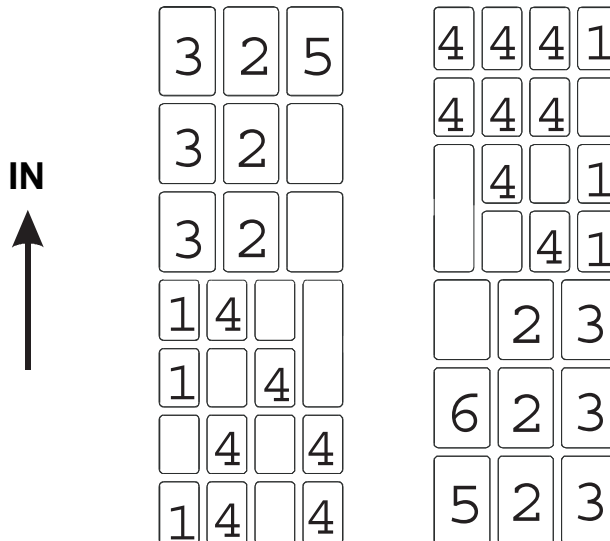


Operating Instructions

LOADING THE DISHWASHER BASKETS

CUTLERY BASKET

Cutlery should be placed in the cutlery basket with handles at the bottom. If the rack has side baskets, spoons should be loaded individually into the appropriate slots, especially long utensils should be placed in the horizontal position at the front of the basket as shown.



1 Dinner forks



2 Salad forks



3 Knives



4 Teaspoons



5 Serving spoons



6 Serving forks



WARNING

- Do not let any item extend through the bottom.
- Always load sharp utensils with the sharp end down!

For personal safety and a top quality clean, place your cutlery in the basket:

- Make sure they do not nest together
- Place silverware with handles-down.
- Place knives and other potentially dangerous utensils handles-up.



Operating Instructions

STARTING A WASHING PROGRAM

WASH CYCLE TABLE

• (*) Means: Need to fill rinse in the Rinse-Aid Dispenser.

• AHAM DW-1-2005 : This program is the test cycle. The rinse aid dispenser position 6 is recommended.

Program	Cycle selection Information	Description of cycle	Detergent pre/main	Running time(min)	Energy (Kwh)	Water (L)	Rinse Aid
 Heavy	For the heaviest soiled loads, such as pots,pans,casserole dishes and dishes that have been sitting with dried food on them for a while.	Pre-wash Pre-wash (50°C) Wash (55°C) Wash (50°C) Rinse Rinse (65°C) Drying	3/15g	100	0.424	14.5	*
 Normal AHAM DW-1-2005	For normally soiled loads, such as pots, plates,glasses and lightly soiled pans. standard daily cycle.	Pre-wash Pre-wash Wash (55°C) Rinse Rinse (65°C) Drying	3/15g	85	0.361	12	*
 Light	For lightly soiled loads,such as plates,glasses,bowls and lightly soiled pans.	Pre-wash Pre-wash (50°C) Wash (50°C) Rinse Rinse (60°C) Drying	3/15g	75	0.311	12	*
 Glass	For lightly soiled loads, such as glasses, crystal and fine china.	Pre-wash Wash (50°C) Rinse Rinse (60°C) Drying	15g	70	0.274	9.7	*
 Speed	A shorter wash for lightly soiled loads that do not need drying.	Pre-wash Pre-wash (50°C) Wash (50°C) Rinse Rinse (55°C)	15g	45	0.233	12	
 Soak	To rinse dishes that you plan to wash later that day.	Pre-wash	/	10	0.01	2.5	

TURNING ON THE APPLIANCE

Starting a washcycle...

Draw out the basket (see the section entitled Loading the Dishwasher). Pour in the detergent and insert the plug into the socket. The power supply is 120V/60 Hz.

sup-

Make sure that the water supply is turned on to full pressure.

- Press the program button to select the program you need.
- **Heavy->Normal->Light->Glass->Speed->Soak**
- Then, press the start/restart button to start the dishwasher.

NOTE: When you press the Start/Reset button to pause a wash cycle, the display time will stop blinking and the program will pause. It remains in this stage of the cycle until you restart it again.



Operating Instructions

STARTING A WASHING PROGRAM

CHANGING THE PROGRAM

You can modify the washing program when the dishwasher just runs for a short time. Otherwise, the detergent may have already been released, and the appliance may have already drained the wash water. If this is the case, the detergent dispenser must be refilled.

To change the washing program, press the Start/Reset button to pause the working program, and then press and hold the program button for at least 3 seconds before choosing a different program and resuming the wash cycle.

NOTE: *If you open the door during washing, the machine will pause. When you close the door and press the Start/Reset button the washing resumes 10 seconds after you close the door.*

The lights show the state of the dishwasher:

- a) All phase lights off-----On stand by
- b) The display has no blinking-----Being paused
- c) The display is blinking-----Running

FORGOT TO ADD A DISH?

A forgotten dish can be added any time before the detergent cup opens.

- 1** Press the Start/Reset button to pause the cycle.
- 2** Open the door a little to stop the washing.
- 3** After the spray arms stop working, you can open the door completely
- 4** Add forgotten dishes.
- 5** Close the door
- 6** Press the Start/Reset button, the dishwasher will run after 10 seconds.

AT THE END OF THE WASH CYCLE

When the working cycle has finished, the buzzer will sound for 8 seconds, then stop. Turn off the appliance using the ON/OFF button, shut off the water supply and open the door of the dishwasher. Wait a few minutes before unloading the dishwasher to avoid handling the dishes and utensils while they are still hot and more susceptible to breakage. They will also dry better.

• Turn off the dishwasher

- All the phase lights are off!
- 1. Switch off the dishwasher by pressing the ON/OFF button.
- 2. Turn off the water tap!

• Open the door carefully

Hot dishes are sensitive to impact. The dishes should therefore be allowed to cool down around 15 minutes before being removed from the appliance. Open the dishwasher's door, leave it ajar and wait a few minutes before removing the dishes. This way they will be cooler and the drying will be improved.

• Unloading the dishwasher

It is normal that the dishwasher is wet inside.

WARNING

It is dangerous to open the door during operation because the hot water may scald you.



Installation Instructions

INSTALLATION PREPARATION

The installation position of the dishwasher should be near the existing inlet and drain hoses and power cord. One side of the cabinet sink should be chosen to facilitate the connection of drain hoses to the dishwasher.

POSITIONING THE APPLIANCE

Position the appliance in the desired location on the countertop. Make sure the unit is level and is close enough to electrical and water supplies.

ABOUT POWER CONNECTION

WARNING

For personal safety:

- DO NOT USE AN EXTENSION CORD OR AN ADAPTER PLUG WITH THIS APPLIANCE.
- DO NOT, UNDER ANY CIRCUMSTANCES, CUT OR REMOVE THE GROUNDING CONNECTION FROM THE POWER CORD.

ELECTRICAL REQUIREMENTS

Please look at the rating label to know the voltage rating and connect the dishwasher to the appropriate power supply. Use the required 15 amp fuse, time delay fuse or circuit breaker recommended and provide separate circuit serving only for this appliance.

ELECTRICAL CONNECTION

Ensure that the voltage and frequency of the power being used corresponds to those on the rating plate. Only insert the plug into an electrical socket which is grounded properly. If the electrical socket to which the appliance must be connected is not appropriate for the plug:

- Have the socket replaced by a qualified professional.
- Avoid using adaptors because they could cause overheating and burns.

WARNING

Ensure appliance is properly grounded before use.

GROUNDING INSTRUCTIONS

This appliance must be grounded. In the event of a malfunction or breakdown, grounding will reduce the risk of electric shock by providing a path of least resistant electric current. This appliance is equipped with a cord that has an equipment-grounding conductor and a grounding plug. The plug must be plugged into an appropriate outlet that is installed and grounded in accordance with all local standards and requirements.

WARNING

- Improper connection of the equipment grounding conductor can result in the risk of an electric shock.
- Check with a qualified electrician or service representative if you are in doubt as to whether the appliance is properly grounded.
- Do not modify the plug provided with the appliance. If the plug does not fit properly in the outlet, please have a qualified electrician install a proper outlet.



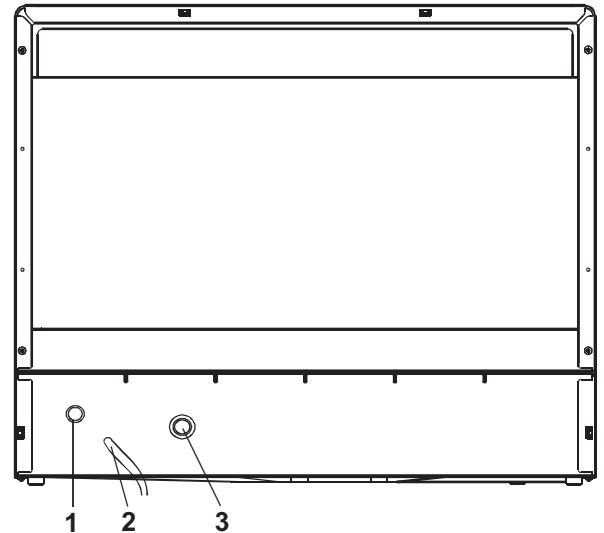
Installation Instructions

WATER CONNECTION

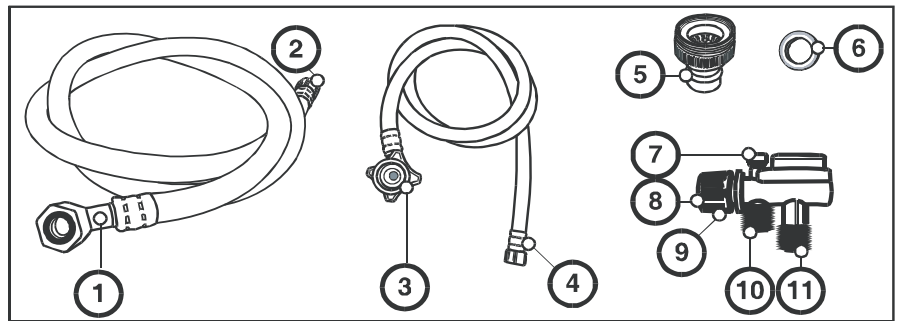
Rear of dishwasher:

Back View

1. Drain Port
2. Power Cord
3. Inlet Port



Your dishwasher comes equipped with a 'quick connect' assembly (includes inlet and drain hose). The faucet adapter must be installed on the faucet before you can connect the dishwasher. This adapter is included inside your dishwasher. The faucet adapter is compatible with faucets inclusive of either male (outside) or female (inside) threaded faucet connections.



QUICK CONNECT ASSEMBLY

Drain Hose

1. Drain port connection
2. Quick connect connection

Inlet Hose

3. Inlet port connection
4. Quick connect connection

Faucet Adapter

5. Faucet adapter
6. Faucet washer

Quick Connect

7. Pressure relief valve
8. Faucet adapter connection
9. Locking collar
10. Inlet hose connection
11. Drain hose connection

⚠ WARNING

In order to avoid water staying in the inlet hose, please turn off the faucet after using.



Installation Instructions

WATER CONNECTION (cont)

1. Screw the faucet adapter onto (or into) the faucet tap. Check for leaks (use Teflon tape to eliminate if necessary).
2. Connect the six-sided connection of the drain hose to the drain port connection on the back of the dishwasher cabinet. Do not over-tighten (to avoid damage to threads.)
3. Connect the star-shaped connection of the inlet hose to the inlet port on the back of the dishwasher cabinet. Do not over-tighten (to avoid damage to threads.)
4. Connect the circular connection of the drain hose onto the longer (bottom) male connection on the quick connect.
5. Connect the circular connection of the inlet hose onto the shorter (top) male connection on the quick connect.
6. Attach the quick connect onto the faucet adapter, by pulling down the outer locking collar on the quick connect, while pushing the quick connect upward onto the faucet adapter.
7. When the quick connect snaps onto the faucet adapter, release the locking collar. Verify the connection is secure.
8. Slowly open the hot water line and check for any sign of water leaks at all hose connections. If leaks are located, immediately turn off the water supply and repair the hose connections.

IMPORTANT

1. Once you open the water supply line, (even if it is closed immediately thereafter), the inlet hose will be pressurized.
2. To relieve water pressure from inside the inlet hose, first make sure the water line (faucet) is closed, then press and hold the red pressure relief button on the quick connect until the flow of water stops.

WARNING

Failure to relieve water pressure before disconnecting the quick connect from the faucet will result in back pressure over-spray. The temperature of the incoming water can be very hot and can cause severe burns and/or scalding.

DANGER

Do not let children disconnect the dishwasher. Close supervision of children is always important around appliances.

NOTE: *Hard water conditions will adversely affect the washing performance of your dishwasher. Hard water conditions will also contribute to 'lime' (white film substance) deposits and/or 'scaling' on the stainless steel surface of the dishwasher tub and heater element, located in the sump underneath the removable filter screen. To minimize these conditions, it is recommended to operate/rinse the inside of the dishwasher (empty) using 1 cup of white vinegar once a week.*

DISCONNECTING YOUR DISHWASHER

1. Shut off the water supply at the faucet.
2. Disconnect the power supply cord
3. Relieve water pressure
4. Pull down on the quick connect collar



Installation Instructions

STARTING THE DISHWASHER

The following things should be checked before starting the dishwasher:

- 1** The dishwasher is level and fixed properly
- 2** The water inlet valve is open
- 3** There is no leakage at the connections of the conducts. (Conductors?)
- 4** The wires are tightly connected
- 5** The power is turned on
- 6** Make sure the inlet and drain hoses are not twisted
- 7** All packing materials and removable printings should be taken out from the dishwasher

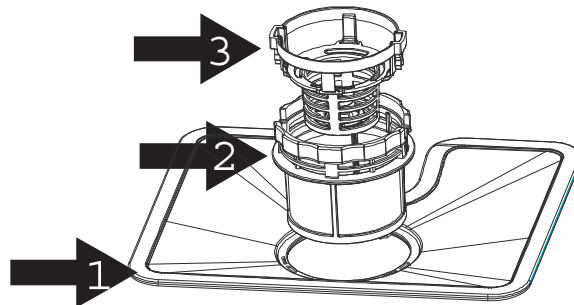


Care and maintenance

FILTERING SYSTEM

The filter prevents larger remnants of food or other objects from getting inside the pump.

The filter system consists of a coarse filter, a flat (main filter) and a micro filter (fine filter).



Main filter 1

Food and soil particles trapped by this filter are pulverized by a special jet on the spray arm and washed down to drain.

Fine filter 2

This filter holds soil and food residue in the sump area and prevents it from being redeposited on the dishes during a wash cycle.

Course filter 3

Larger items, such as pieces of bone or glass, that could block the drain are trapped in the coarse filter. To remove the items caught by the filter, gently squeeze the tap on the top of this filter and lift it out.

FILTER ASSEMBLY

The filter efficiently removes food particles from the wash water, allowing it to be recycled throughout a cycle. For best performance and results, the filter assembly must be regularly cleaned. For this reason, it is a good idea to remove the larger food particles trapped in the filter after each wash cycle by rinsing the filter and cup under running water. To remove the filter assembly, pull upward on the cup handle in the upward direction.

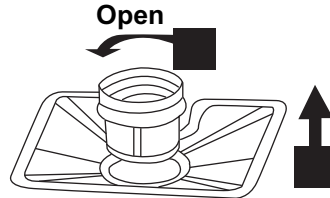


Care and Maintenance

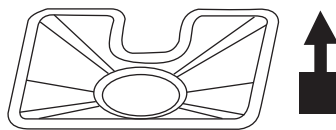
FILTERING SYSTEM (cont)

⚠ WARNING

- Never run the dishwasher without the filters in place.
- The dishwasher must never be used without the filters.
- Improper replacement of the filter may reduce the performance level of the appliance and damage dishes and utensils.



- Step 1.** Rotate the fine filter counter-clockwise
Step 2. Lift it up.



- Step 3.** Lift the main filter up.

NOTE: If you follow the steps from Step 1 to Step 3, the filter system will be removed; if you follow the steps from Step 3 to Step 1, the filter system will be installed.

- Inspect the filters for blockage every time the dishwasher is used.
- By unscrewing the coarse filter you can remove the filter system. Remove any food remnants and clean the filters under running water.
- The entire filter assembly should be cleaned once a week.

CLEANING THE FILTER

To clean the coarse filter and the fine filter, use a cleaning brush. Reassemble the filter parts and reinsert the entire assembly in the dishwasher, by positioning it in the proper location and pressing downward.

⚠ WARNING

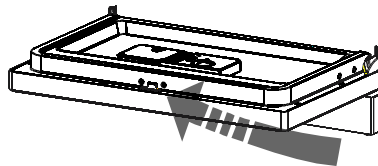
When cleaning the filters, handle with care. Otherwise, the filters could be damaged and the performance of dishwasher could be reduced.

CARING FOR THE DISHWASHER

The control panel can be cleaned by using a lightly dampened cloth and dried thoroughly. For the exterior use a good quality appliance polish wax. Never use sharp objects, scouring pads or harsh cleaners on any part of the dishwasher.

CLEANING THE DOOR

To clean the edge around the door, you should use only a soft damp cloth. To avoid penetration of water into the door lock and electrical components, do not use a spray cleaner of any kind.



⚠ WARNING

- Never use a spray cleaner to clean the door panel as it may damage the door lock and electrical components.
- Abrasive agents or some paper towels should not be used because of the risk of scratching or leaving spots on the stainless steel surface.



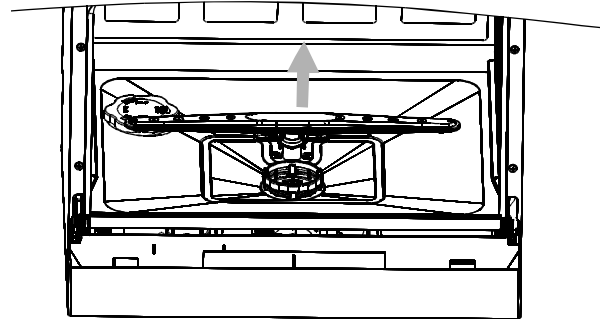
Care and maintenance

CARING FOR THE DISHWASHER (cont.)

CLEANING THE SPRAY ARMS

The spray arms can be easily removed for periodic cleaning of the nozzles, to prevent possible clogging. Wash them under running water and carefully replace them in their proper position, checking that their rotary movement is in no way impeded.

Grasp the middle of the spray arm, pull it upwards to remove it. Wash the arms under a jet of running water and return them carefully to their position. After reassembly, check that the spray arms turn freely.



HOW TO MAINTAIN YOUR DISHWASHER

• After Every Wash

Turn off the water supply to the appliance and leave the door slightly open so that moisture and odours are not trapped inside.

• Remove the Plug

Before cleaning or performing maintenance, always remove the plug from the socket.

• No Solvents or Abrasive Cleaning

To clean the exterior and rubber parts of the dishwasher, do not use solvents or abrasive cleaning products. Only use a cloth with warm soapy water. To remove spots or stains from the surface of the interior, use a cloth dampened with water with a little vinegar, or a cleaning product made specifically for dishwashers.

• When it is Not in Use

It is recommended that you run a wash cycle with the dishwasher empty and then remove the plug from the socket, turn off the water supply and leave the door of the appliance slightly open. This will help the door seals last longer and prevent odours from forming within the appliance.

• Seals

One of the factors that cause odours to form in the dishwasher is food that remains trapped in the seals. Periodic cleaning with a damp sponge will prevent this from occurring.



Troubleshooting

Occasionally a problem may arise that is minor in nature, and a service call may not be necessary. Use this troubleshooting guide for a possible solution. If the unit continues to operate improperly, call an authorized service depot or Danby's Toll Free Number **1-800-263-2629** for assistance.

PROBLEM	POSSIBLE CAUSE	SOLUTION
Dishwasher doesn't run	<ul style="list-style-type: none"> • Fuse blown or circuit breaker tripped. • Power supply is not turned on. • Water pressure is low. 	<ul style="list-style-type: none"> • Replace fuse or reset circuit breaker. • Make sure dishwasher is turned on and door is closed. Plug in cord securely. • Check that water supply is connected and the water is turned on.
Noise	<ul style="list-style-type: none"> • Some audible sounds are normal. • Utensils are not secure in basket / something small dropped into basket. • Motor hums. 	<ul style="list-style-type: none"> • Sound from soft food shredding action and detergent cup opening. • Ensure everything is secured in the dishwasher. • If you do not use often, dishwasher may hum- remember to fill and pump out appliance every week to keep the seal moist.
Suds in the tub	<ul style="list-style-type: none"> • Improper detergent. • Spilled rinse agent. 	<ul style="list-style-type: none"> • Use only dishwasher detergent to avoid suds. If suds are present, open the door and let suds evaporate. • Always wipe rinse agent spills immediately.
Dishes are not dry	<ul style="list-style-type: none"> • Rinse agent dispenser is empty. 	<ul style="list-style-type: none"> • Make sure that the rinse agent dispenser is filled.
Dishes and flatware are not clean (spots filming)	<ul style="list-style-type: none"> • Improper program selected/run. • Improper rack loading. • Extremely hard water. 	<ul style="list-style-type: none"> • Select a stronger program. • Make sure that the detergent dispenser and spray arms are not blocked by large dishware. • Remove all metal utensils from dishwasher
Detergent left in dispenser cups	<ul style="list-style-type: none"> • Dishes blocking detergent cups. 	<ul style="list-style-type: none"> • Re-load the dishes properly.
Water standing in the bottom of the tub	<ul style="list-style-type: none"> • This is normal. 	<ul style="list-style-type: none"> • A small amount of clean water around the outlet on the tub button at the back of the tub keeps the water seal lubricated.
Water doesn't pump out of the tub	<ul style="list-style-type: none"> • Drain is clogged. • Pump motor faulty. 	<ul style="list-style-type: none"> • Make sure the kitchen sink is draining well. If the dishwasher drains into a disposer, run it clear. • Have it checked by a qualified technician.
Dishwasher leaks / steams	<ul style="list-style-type: none"> • Overfill dispenser or rinse aid spills. • Dishwasher isn't level. • Steam is normal. 	<ul style="list-style-type: none"> • Be careful not to overfill the rinse aid dispenser. Spilled rinse aid could cause oversudsing and lead to overflowing. Wipe away any spills with a damp cloth. • Make sure the dishwasher is level. • Steam coming through the vent by the door latch is normal during drying and water draining. 9

LIMITED APPLIANCE WARRANTY

This quality product is warranted to be free from manufacturer's defects in material and workmanship, provided that the unit is used under the normal operating conditions intended by the manufacturer.

This warranty is available only to the person to whom the unit was originally sold by Danby Products Limited (Canada) or Danby Products Inc. (U.S.A.) (hereafter "Danby") or by an authorized distributor of Danby, and is non-transferable.

TERMS OF WARRANTY

Plastic parts, are warranted for thirty (30) days only from purchase date, with no extensions provided.

First Year During the first twelve (12) months, any functional parts of this product found to be defective, will be repaired or replaced, at warrantor's option, at no charge to the ORIGINAL purchaser.

To obtain service It will be the consumer's responsibility to transport the appliance (at their own expense) to the original retailer (point of purchase) or a service depot for repair. Contact your dealer from whom your unit was purchased, or contact your nearest authorized Danby service depot, where service must be performed by a qualified service technician. If service is performed on the unit by anyone other than an authorized service depot, or the unit is used for commercial application, all obligations of Danby under this warranty shall be void.

Nothing within this warranty shall imply that Danby will be responsible or liable for any spoilage or damage to food or other contents of this appliance, whether due to any defect of the appliance, or its use, whether proper or improper.

EXCLUSIONS

Save as herein provided, by Danby, there are no other warranties, conditions, representations or guarantees, express or implied, made or intended by Danby or its authorized distributors and all other warranties, conditions, representations or guarantees, including any warranties, conditions, representations or guarantees under any Sale of Goods Act or like legislation or statute is hereby expressly excluded. Save as herein provided, Danby shall not be responsible for any damages to persons or property, including the unit itself, howsoever caused or any consequential damages arising from the malfunction of the unit and by the purchase of the unit, the purchaser does hereby agree to indemnify and hold harmless Danby from any claim for damages to persons or property caused by the unit.

GENERAL PROVISIONS

No warranty or insurance herein contained or set out shall apply when damage or repair is caused by any of the following:

- 1) Power failure.
- 2) Damage in transit or when moving the appliance.
- 3) Improper power supply such as low voltage, defective house wiring or inadequate fuses.
- 4) Accident, alteration, abuse or misuse of the appliance such as inadequate air circulation in the room or abnormal operating conditions (extremely high or low room temperature).
- 5) Use for commercial or industrial purposes (ie. If the appliance is not installed in a domestic residence).
- 6) Fire, water damage, theft, war, riot, hostility, acts of God such as hurricanes, floods etc.
- 7) Service calls resulting in customer education.
- 8) Improper Installation (ie. Building-in of a free standing appliance or using an appliance outdoors that is not approved for outdoor application).

Proof of purchase date will be required for warranty claims; so, please retain bill of sale. In the event warranty service is required, present this document to our AUTHORIZED SERVICE DEPOT.

Warranty Service
Carry-In

Danby Products Limited
PO Box 1778, Guelph, Ontario, Canada N1H 6Z9
Telephone: (519) 837-0920 FAX: (519) 837-0449

1-800-263-2629
07/13

Danby Products Inc.
PO Box 669, Findlay, Ohio, U.S.A. 45840
Telephone: (419) 425-8627 FAX: (419) 425-8629

Bienvenue

Merci d'avoir choisi un appareil électroménager Danby.

Ce guide d'utilisation et d'entretien vous fournira des renseignements utiles nécessaires pour prendre soin de votre nouvel appareil et en assurer l'entretien. S'il est entretenu convenablement, vous pourrez utiliser votre appareil Danby sans problème pendant des années. Veuillez prendre quelques minutes pour lire les instructions d'un bout à l'autre et vous familiariser avec tous les aspects du fonctionnement de cet appareil.

À des fins de référence, nous vous recommandons d'attacher une copie de votre facture de vente/reçu à cette page et d'indiquer les renseignements suivants.

Numéro de modèle : _____
Numéro de série : _____
Date d'achat : _____

Ces renseignements seront nécessaires si votre appareil a besoin de réparations ou d'entretien ou si vous avez des questions générales. Pour communiquer avec un représentant du service à la clientèle, appelez Danby au numéro
SANS FRAIS: 1-800-263-2629



Renseignements importants relatifs à la sécurité

LISEZ ET RESPECTEZ TOUTES LES CONSIGNES RELATIVES À LA SÉCURITÉ

Lors de l'utilisation de votre lave-vaisselle, prenez toutes les précautions indiquées ci-dessous :

CONSIGNES RELATIVES À LA MISE À LA TERRE

Cet appareil doit être mis à la terre. En cas de défaillance ou de panne, la mise à la terre réduira le risque de choc électrique en fournissant au courant électrique un chemin de moindre résistance. Cet appareil comprend un cordon muni d'un conducteur de mise à la terre de l'équipement et d'une fiche de mise à la terre.

La fiche doit être branchée sur une prise appropriée installée et mise à la terre conformément à l'ensemble des codes et des ordonnances locaux.

⚠ AVERTISSEMENT

- **Une mauvaise connexion du conducteur de mise à la terre de l'équipement peut entraîner un risque de choc électrique.**
- **Consultez un électricien ou un représentant de l'entretien qualifié si vous n'êtes pas sûr si votre appareil est mis à la terre correctement. Ne modifiez pas la fiche fournie avec l'appareil; si elle ne peut être insérée dans la prise, faites installer une prise appropriée par un électricien qualifié.**

PRÉCAUTIONS RELATIVES À LA SÉCURITÉ

- Ne pas maltraiter la porte ou le panier à vaisselle du lave-vaisselle, s'asseoir dessus ou se tenir dessus.
- Ne pas toucher l'élément chauffant pendant ou immédiatement après l'utilisation. (Ces instructions ne s'appliquent qu'aux appareils munis d'un élément chauffant visible).
- Ne pas faire fonctionner votre lave-vaisselle si tous les panneaux de l'enceinte ne sont pas en place.
- Ne pas poser d'objets lourds sur la porte lorsqu'elle est ouverte. L'appareil pourrait basculer vers l'avant.
- **Lors du chargement des articles à laver :**
 - 1) Placez les articles pointus ou tranchants à un endroit où ils n'endommageront pas le joint d'étanchéité de la porte;
 - 2) Avertissement : les couteaux et les autres ustensiles pointus doivent être chargés la pointe en bas ou horizontalement dans le panier.
- Lorsque vous utilisez votre lave-vaisselle, empêchez les articles en plastique d'entrer en contact avec l'élément chauffant. (Ces instructions ne s'appliquent qu'aux appareils munis d'un élément chauffant visible.)
- Assurez-vous que le distributeur de détergent est vide après la fin du cycle.
- Ne lavez pas d'articles en plastique, sauf s'ils portent la mention lavable au lave-vaisselle ou l'équivalent. Dans les cas des articles en plastique ne portant pas cette mention, vérifiez les recommandations du fabricant.
- N'utilisez que les détergents et les agents de rinçage conçus pour un lave-vaisselle automatique.
- N'utilisez jamais de savon, de détergent à lessive ou de savon à main dans votre lave-vaisselle. Gardez ces produits hors de la portée des enfants.
- Gardez les enfants à l'écart du lave-vaisselle et de l'agent de rinçage, ainsi que de la porte ouverte du lave-vaisselle.
- Gardez les enfants à l'écart du lave-vaisselle et de l'agent de rinçage, ainsi que de la porte ouverte du lave-vaisselle. Des restes de détergent pourraient s'y trouver.
- Cet appareil ne doit pas être utilisé par des personnes (y compris des enfants) dont les capacités physiques, sensorielles ou mentales sont réduites, ou qui ne possèdent pas l'expérience ou les connaissances nécessaires, à moins qu'une personne responsable de leur sécurité ne leur ait donné la supervision ou les instructions nécessaires concernant l'utilisation de l'appareil.
- Les enfants doivent être supervisés afin de s'assurer qu'ils ne jouent pas avec l'appareil.
- Les détergents à vaisselle sont très alcalins; ils peuvent être extrêmement dangereux s'ils sont avalés. Évitez le contact avec la peau et les yeux et gardez les enfants à l'écart du lave-vaisselle lorsque la porte est ouverte.
- La porte ne doit pas être laissée en position ouverte, car cela pourrait présenter un risque de basculement.
- Si le cordon d'alimentation est endommagé, il doit être remplacé par une personne qualifiée afin d'éviter les dangers.
- Lorsque vous mettez le lave-vaisselle au rebut, enlevez la porte.
- Veuillez jeter convenablement les matériaux d'emballage.
- N'utilisez le lave-vaisselle qu'aux fins pour lesquelles il est destiné.
- Pendant l'installation, le bloc d'alimentation ne doit pas être plié ou aplati dangereusement ou excessivement. Ne trafiquez pas les commandes.
- L'appareil doit être branché aux robinets au moyen de nouveaux ensembles de tuyaux, et les anciens ensembles de tuyaux ne doivent pas être réutilisés.
- Un maximum de 6 couverts peut être lavé à la fois.
- La pression maximale de l'eau d'admission est 85 PSI
- La pression minimale de l'eau d'admission est 25 PSI.

CONSERVEZ CES INSTRUCTIONS

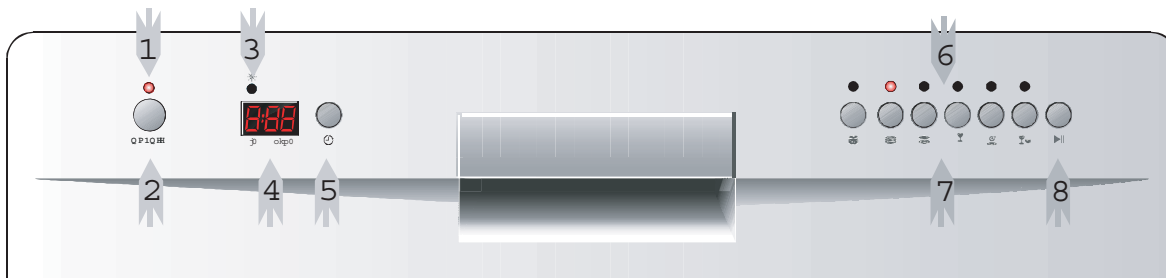


Mode d'emploi

LISEZ ET RESPECTEZ ENTIÈREMENT LE MODE D'EMPLOI

Pour obtenir les meilleurs résultats avec votre lave-vaisselle, lisez le mode d'emploi d'un bout à l'autre avant d'utiliser l'appareil pour la première fois.

PANNEAU DE COMMANDE



- 1) Indicateur d'alimentation : s'allume lorsque l'on appuie sur le bouton ON/OFF (MARCHE/ARRÊT).
- 2) Bouton ON/OFF (marche/arrêt) : contrôle l'alimentation en électricité du lave-vaisselle.
- 3) Indicateur d'avertissement pour l'agent de rinçage : s'allume lorsque le distributeur d'agent de rinçage doit être rempli.
- 4) Durée restante : affiche la durée restante du cycle.

(ou)

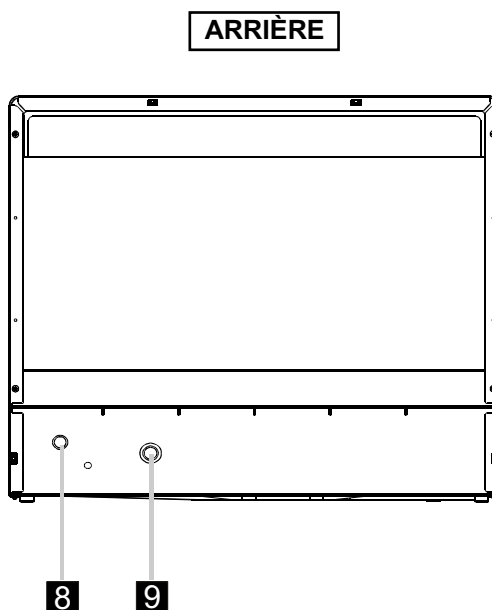
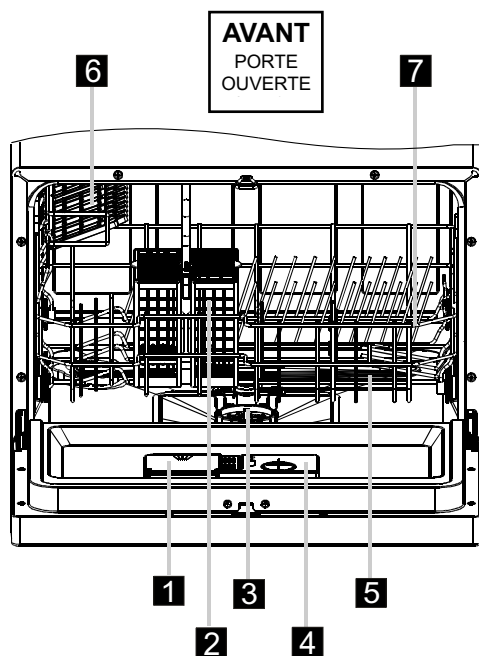
5) **Départ différé:** Appuyez sur cette touche pour régler le temps de départ désiré, vous pouvez différer le départ jusqu'à 24 heures (une presse pour chaque heure). Après avoir réglé l'heure, appuyez sur la touche START / RESET pour commencer le départ différé. Appuyez sur la touche START / RESET jusqu'à ce que "H: 00" apparait sur le panneau d'affichage pour arrêter le départ différé.

6) Indicateur lumineux de programme : lorsque vous sélectionnez le programme de lavage, l'indicateur lumineux correspondant s'allume.

7) Bouton indicateur de programme : lorsque vous appuyez sur le bouton du programme de lavage, l'indicateur lumineux correspondant s'allume.

8) Bouton Démarrer/Réinitialiser : appuyez sur ce bouton pour démarrer le lave-vaisselle ou interrompre le lavage.

CARACTÉRISTIQUES DU LAVE-VAISSELLE



- 1 Distributeur de détergent
- 2 Panier à ustensiles
- 3 Assemblage du filtre
- 4 Distributeur d'agent de rinçage
- 5 Gicleurs
- 6 Tablette pour tasses
- 7 Panier
- 8 Connecteur du tuyau de vidange
- 9 Connecteur du tuyau d'admission



Mode d'emploi

AVANT D'UTILISER L'APPAREIL POUR LA PREMIÈRE FOIS

A. REMPLISSEZ LE DISTRIBUTEUR D'AGENT DE RINÇAGE

DISTRIBUTEUR D'AGENT DE RINÇAGE

L'agent de rinçage est libéré pendant le rinçage final afin d'empêcher que l'eau ne forme des gouttelettes qui peuvent créer des taches et des traînées sur votre vaisselle. Il permet également d'améliorer le rinçage en laissant l'eau couler le long de la vaisselle. Votre lave-vaisselle est conçu pour utiliser des agents de rinçage liquides. Le distributeur d'agent de rinçage est situé dans la porte, à côté du distributeur de détergent. Pour remplir le distributeur, ouvrez le bouchon et versez l'agent de rinçage dans le distributeur jusqu'à ce que l'indicateur de niveau devienne complètement noir. Le distributeur d'agent de rinçage a un volume d'environ 110 ml.

FONCTION DE L'AGENT DE RINÇAGE

L'agent de rinçage est ajouté automatiquement lors du dernier rinçage, permettant ainsi un rinçage à fond et un séchage sans taches et sans traînées.

ATTENTION

Ne remplissez jamais le distributeur d'agent de rinçage avec d'autres substances (p. ex., nettoyant pour lave-vaisselle, détergent liquide). Cela endommagera l'appareil.

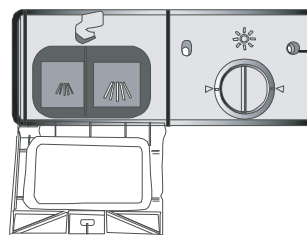
QUAND REMPLIR LE DISTRIBUTEUR D'AGENT DE RINÇAGE

La quantité d'agent de rinçage peut être évaluée par la couleur de l'indicateur visuel de niveau C situé à côté du bouchon. Lorsque le distributeur d'agent de rinçage est plein, l'indicateur est complètement noir. Au fur et à mesure que la quantité d'agent de rinçage diminue, la taille du point noir diminue. Ne laissez jamais le niveau de l'agent de rinçage tomber au-dessous du quart.

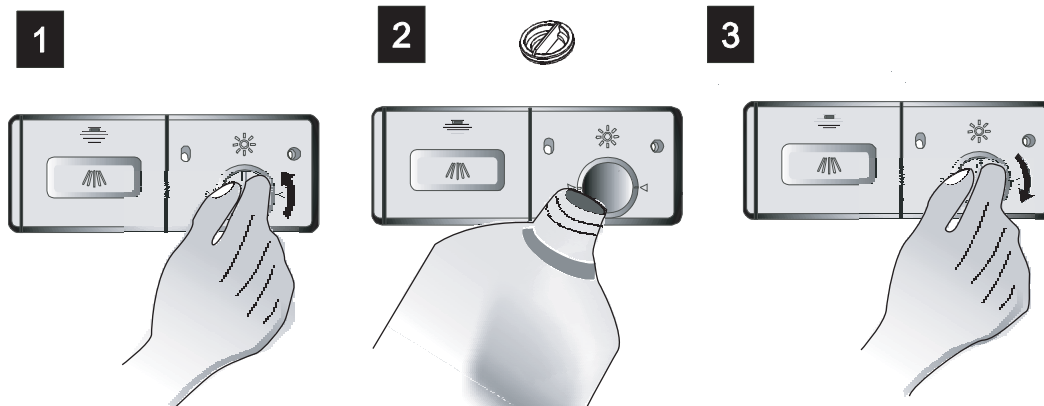
Au fur et à mesure que la quantité d'agent de rinçage diminue, la taille du point noir de l'indicateur de niveau change, tel qu'illustré ci-dessous.

- Plein
- 3/4 plein
- 1/2 plein
- 1/4 plein - remplir pour empêcher la formation de taches
- Vide

C (indicateur d'agent de rinçage)



OUVERTURE DU DISTRIBUTEUR



ATTENTION

Essuyez l'agent de rinçage renversé lors du remplissage au moyen d'un chiffon absorbant pour éviter la formation d'une mousse excessive lors du prochain lavage. N'oubliez pas de remettre le bouchon avant de fermer la porte du lave-vaisselle.

- 1** Pour ouvrir le distributeur, tournez le bouchon sur la flèche « ouvert » (gauche), et levez-le pour l'enlever.
- 2** Versez l'agent de rinçage dans le distributeur, en vous assurant de ne pas trop le remplir.
- 3** Remplacez le bouchon en l'insérant en alignement avec la flèche « ouvert » et en le tournant sur la position fermée (flèche de droite).



Mode d'emploi

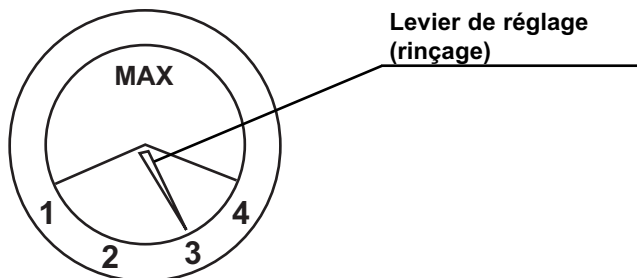
AVANT D'UTILISER L'APPAREIL POUR LA PREMIÈRE FOIS

A. REMPLISSEZ LE DISTRIBUTEUR D'AGENT DE RINÇAGE (suite)

RÉGLAGE DU DISTRIBUTEUR D'AGENT DE RINÇAGE

Le distributeur d'agent de rinçage a quatre réglages. Le réglage recommandé est « 3 ». Si la vaisselle ne sèche pas correctement ou est tachée, ajustez le cadran au numéro suivant, soit « 4 ».

REMARQUE : Augmentez la dose s'il y a des gouttes d'eau ou d'hydroxyde de calcium sur la vaisselle après le lavage. Réduisez la dose si vous voyez des taches blanches collantes sur la vaisselle ou une pellicule bleuâtre sur la verrerie ou les lames des couteaux.



B. FONCTION DU DÉTERGENT

UTILISATION APPROPRIÉE DU DÉTERGENT

- Pour enlever la saleté et l'enlever du lave-vaisselle, il est nécessaire d'utiliser des détergents contenant des ingrédients chimiques.
- N'utilisez qu'un détergent spécialement conçu pour les lave-vaisselle. Gardez votre détergent au frais et au sec.
- Ne mettez le détergent en poudre dans le distributeur que lorsque vous êtes prêt à laver la vaisselle.

DÉTERGENTS

Il existe 3 types de détergents.

1. Contenant du phosphate et du chlore
2. Contenant du phosphate et sans chlore
3. Sans phosphate et sans chlore

DÉTERGENT CONCENTRÉ

Selon leur composition chimique, les détergents peuvent être divisés en deux types de base :

- détergents alcalins conventionnels avec composants caustiques.
- détergents concentrés peu alcalins avec enzymes naturelles.

L'utilisation de programmes de lavage « normaux » conjointement avec des détergents concentrés réduit la pollution et est bonne pour votre vaisselle; ces programmes de lavage sont conçus spécialement pour les propriétés qui dissolvent la saleté des enzymes des détergents concentrés. Pour cette raison, l'utilisation de programmes de lavage normaux avec des détergents concentrés peut produire des résultats qui ne pourraient être atteints autrement qu'avec des programmes « intensifs ».



Mode d'emploi

AVANT D'UTILISER L'APPAREIL POUR LA PREMIÈRE FOIS

B. FONCTION DU DÉTERGENT (suite)

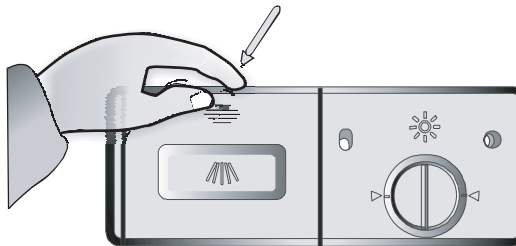
DISTRIBUTEUR DE DÉTERGENT

Le distributeur doit être rempli avant le début de chaque cycle de lavage en suivant les instructions qui se trouvent dans le tableau des cycles de lavage. Votre lave-vaisselle consomme moins de détergent et d'agent de rinçage qu'un lave-vaisselle conventionnel. En général, une cuiller à soupe de détergent suffit pour une charge de vaisselle normale. Par contre, les articles plus souillés nécessitent une quantité de détergent plus importante. Ajoutez toujours le détergent juste avant de mettre le lave-vaisselle en marche; sinon, il pourrait devenir humide et ne pas se dissoudre correctement.

QUANTITÉ DE DÉTERGENT À UTILISER

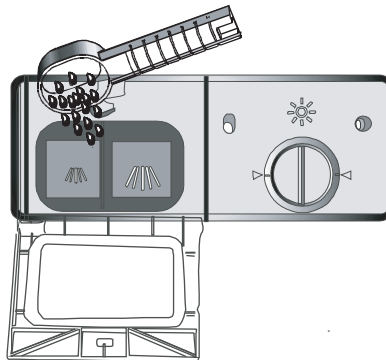
1

Pousser sur le loquet pour ouvrir



2

 Détergent en poudre



- REMARQUE :**
- Si le couvercle est fermé, appuyez sur le bouton de dégagement. Le couvercle s'ouvre.
 - Ajoutez toujours le détergent juste avant le début de chaque cycle de lavage.
 - N'utilisez que des détergents de marque pour lave-vaisselle.

AVERTISSEMENT

Le détergent pour lave-vaisselle est corrosif! Assurez-vous de le garder hors de la portée des enfants.



Mode d'emploi

AVANT D'UTILISER L'APPAREIL POUR LA PREMIÈRE FOIS

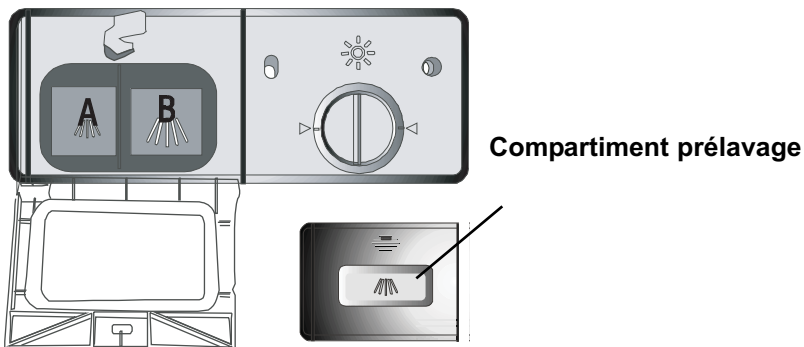
B. FONCTION DU DÉTERGENT (suite)

REMPLEZZEZ LE DÉTERGENT

Remplissez le distributeur de détergent. Le repère indique la quantité de détergent à utiliser, tel qu'illustré ci-dessous :

A Peut contenir 15 g de détergent.

B Peut contenir 25 g de détergent.



Veuillez consulter les recommandations du fabricant figurant sur l'emballage du détergent pour connaître la quantité à utiliser.

Fermez le couvercle et appuyez dessus jusqu'à ce qu'il se verrouille en place.

Si la vaisselle est très sale, mettez une dose de détergent supplémentaire dans le compartiment de prélavage. Ce détergent agira pendant le prélavage.

REMARQUE :

- *Veuillez noter que des différences sont possibles en raison du niveau de saleté et de la dureté de l'eau.*
- *Lisez les recommandations du fabricant qui figurent sur l'emballage du détergent.*



Mode d'emploi

CHARGEMENT DES PANIERS DU LAVE-VAISSELLE

RECOMMANDATION

- Songez à acheter des ustensiles sur lesquels il est indiqué qu'ils vont au lave-vaisselle.
- Pour des articles spécifiques, sélectionnez un programme à basse température.
- Ne retirez pas les verres et la cutellerie du lave-vaisselle immédiatement après le programme de lavage, car ils pourraient être chauds.

LAVAGE DE LA COUTELLERIE/DE LA VAISSELLE

NE CONVIENNENT PAS

- Cutellerie avec manches en bois, en corne, en porcelaine ou en nacre.
- Articles en plastique qui ne résistent pas à la chaleur.
- Cutellerie plus vieille avec pièces collées qui ne résistent pas à la chaleur.
- Cutellerie ou assiettes fusionnées.
- Articles en étain ou en cuivre.
- Verres en cristal
- Articles en fer qui peuvent rouiller.
- Plateaux en bois
- Articles faits en fibres synthétiques.

CONVIENNENT DE FAÇON LIMITÉE

- Certains types de verres peuvent ternir après un grand nombre de lavages.
- Les articles en argent ou en aluminium ont tendance à se décolorer pendant/après le lavage.
- Les motifs émaillés peuvent ternir s'ils sont lavés à la vaisselle souvent.

AVANT/APRÈS LE CHARGEMENT DES PANIERS DU LAVE- VAISSELLE

(Pour une performance optimale du lave-vaisselle, suivez ces consignes en matière de chargement. Les caractéristiques et l'aspect des paniers et des paniers à ustensiles peuvent varier d'un modèle à l'autre).

Grattez les grandes quantités d'aliments restants. Ramollissez les restes d'aliments brûlés dans les chaudrons; il n'est pas nécessaire de rincer la vaisselle à l'eau courante.

Placez les objets dans le lave-vaisselle dans l'ordre suivant :

1. Articles tels que les tasses, les verres, les chaudrons, etc. à l'envers.
2. Les articles courbés ou contenant des rainures doivent être inclinés lors du chargement afin que l'eau puisse en sortir.
3. Les ustensiles doivent être chargés solidement et ne pas pouvoir basculer.
4. Les ustensiles doivent être placés de façon telle que les gicleurs peuvent tourner librement lors du rinçage.

REMARQUE : *Les très petits articles ne doivent pas être lavés au lave-vaisselle, car ils pourraient sortir du panier facilement.*

- *Les articles de vaisselle et de cutellerie ne doivent pas être chargés l'un dans l'autre ou être superposés..*
- *Pour éviter de les endommager, les verres ne doivent pas se toucher.*
- *Chargez dans le panier les gros articles qui sont plus difficiles à nettoyer.*
- *Les couteaux à longue lame chargés en position verticale peuvent être dangereux!*
- *Les articles de cutellerie qui sont longs ou tranchants doivent être disposés horizontalement dans le panier.*
- *Veillez ne pas surcharger votre lave-vaisselle. C'est important pour obtenir de bons résultats et pour réduire la consommation d'énergie.*

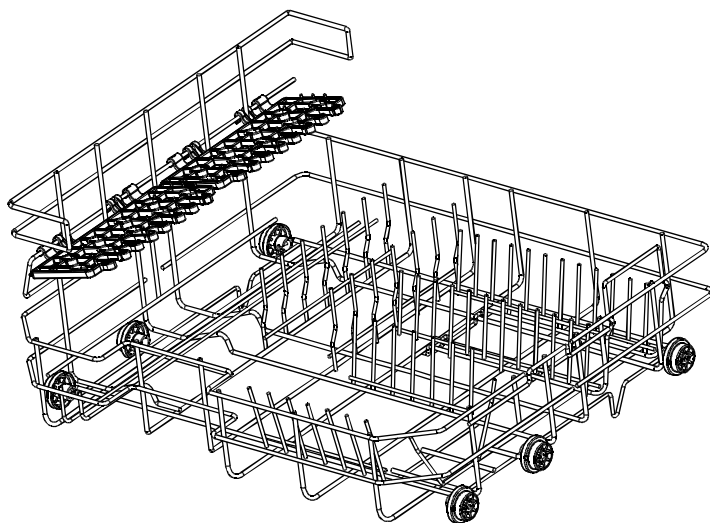
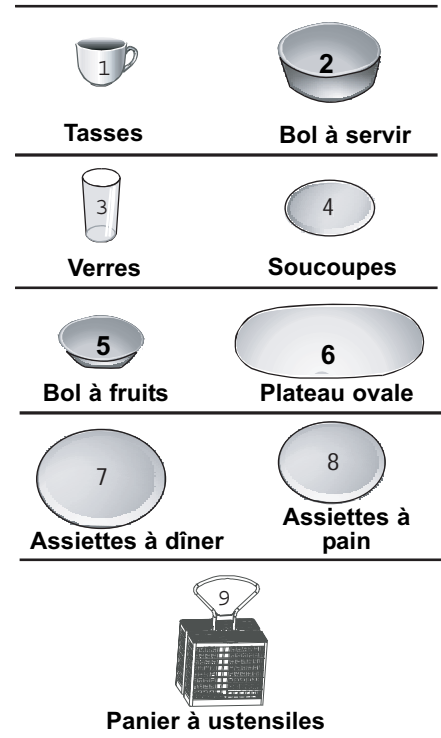
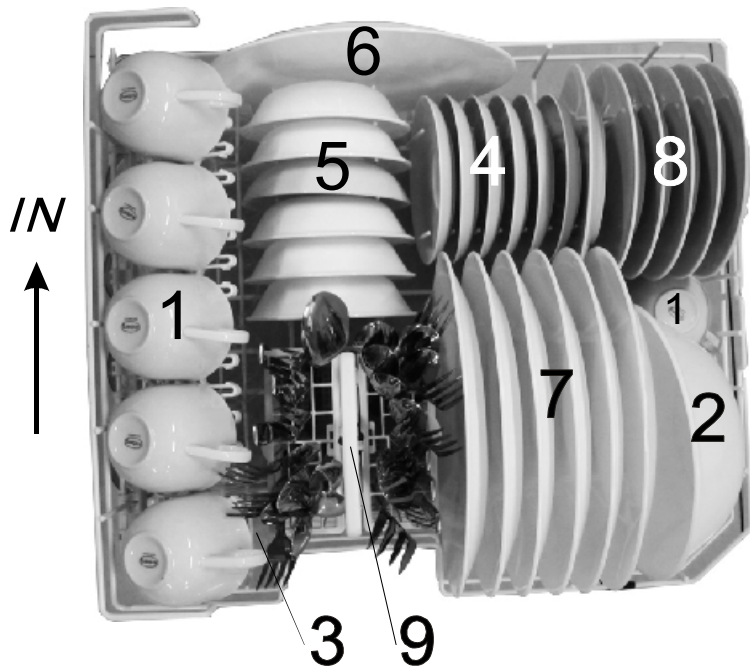


Mode d'emploi

CHARGEMENT DES PANIERS DU LAVE-VAISSELLE

CHARGEMENT DU PANIER

Positionnez la vaisselle et la batterie de cuisine de façon telle que les jets d'eau ne les déplaceront pas.



Porte-assiettes dans le panier

Le panier est rempli de porte-assiettes qui peuvent être repliés horizontalement au besoin.



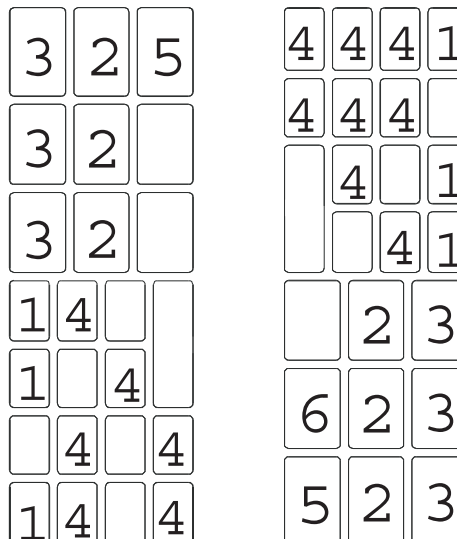
Mode d'emploi

CHARGEMENT DES PANIERS DU LAVE-VAISSELLE

PANIER À USTENSILES

La couellerie doit être placée dans le panier à ustensiles les manches vers le bas. Si le panier est équipé de paniers latéraux, les cuillers doivent être placés individuellement dans les fentes appropriées, et les ustensiles très longs doivent être placés horizontalement à l'avant du panier supérieur, tel qu'illustré.

DANS



1 Fourchettes de table



2 Fourchettes à salade



3 Couteaux



4 Cuillers à café



5 Cuillers à servir



6 Fourchettes à servir



AVERTISSEMENT

- Ne laissez aucun article dépasser par le fond.
- Chargez toujours les ustensiles pointus avec l'extrémité pointue vers le bas!

Pour assurer votre sécurité et obtenir le meilleur nettoyage possible, placez ainsi votre couellerie dans le panier :

- Assurez-vous que les articles ne se trouvent pas l'un dans l'autre.
- Placez l'argenterie les manches en bas.
- Placez les couteaux et les autres articles pouvant être dangereux les manches en haut.









Mode d'emploi

COMMENT LANCER UN PROGRAMME DE LAVAGE

TABLEAU DES CYCLES DE LAVAGE

- (*) Signifie que le distributeur d'agent de rinçage doit être rempli.
- AHAM DW-1-2005 : ce programme est le cycle de test, il est recommandé que le distributeur d'agent de rinçage soit réglé sur la position 6.

Programme	Sélection du cycle Information	Description du cycle	Détergent pré-lavage/lavage principal	Durée de fon- ctionnement (min)	Consommation d'énergie (Kwh)	Eau (L)	Rinçage rinçage
 Très sale	Pour les charges les plus sales, telles que les chaudières, les casseroles, et les plats contenant des aliments séchés qui ont reposé pendant quelque temps.	Pré-lavage Pré-lavage (50 °C) Lavage (55 °C) Lavage (50 °C) Rinçage Rinçage (65 °C) Séchage	de 3 à 15 g	100	0,424	14,5	*
 Normal AHAM DW-1-2005	Pour les charges normalement sales, telles que les chaudières, les assiettes, les verres et les plats peu sales. Cycle quotidien standard.	Pré-lavage Pré-lavage Lavage (55 °C) Rinçage Rinçage (65 °C) Séchage	de 3 à 15 g	85	0,361	12	*
 Léger	Pour les charges peu sales, telles que les assiettes, les verres, les bols et les plats peu sales.	Pré-lavage Pré-lavage (50 °C) Lavage (50 °C) Rinçage Rinçage (60 °C) Séchage	de 3 à 15 g	75	0,311	12	*
 Verre	Pour les charges peu sales, telles que les verres, le cristal et la porcelaine fine.	Pré-lavage Lavage (50 °C) Rinçage Rinçage (60 °C) Séchage	15 g	70	0,274	9,7	*
 Vitesse	Un lavage plus court pour les charges peu sales qui n'ont pas besoin d'être séchées.	Pré-lavage Pré-lavage (50 °C) Lavage (50 °C) Rinçage Rinçage (55 °C)	15 g	45	0,233	12	
 Trempage	Pour rincer la vaisselle que vous prévoyez de laver plus tard le même jour.	Pré-lavage	/	10	0,01	2,5	

METTRE L'APPAREIL EN MARCHÉ

Démarrage d'un cycle de lavage...

Sortez le panier (voir la section intitulée Chargement du lave-vaisselle). Versez le détergent et insérez la fiche dans la prise. L'alimentation en électricité est 120V/60 Hz.

Assurez-vous que l'alimentation en eau est ouverte à pression maximale.

- Appuyez sur le bouton du programme pour sélectionner le programme dont vous avez besoin.
- **Très sale->Normal->Léger->Verres->Vitesse->Trempage**
- Appuyez ensuite sur le bouton Start/Reset et le lave-vaisselle se met en marche.

REMARQUE: Si vous appuyez sur la touche Start / Reset pour mettre l'appareil en pause pendant le lavage, le temps sur le panneau d'affichage cesse de clignoter et le programme fera une pause et restera dans ce cycle jusqu'à ce que vous faisiez démarrer l'appareil à nouveau.



Mode d'emploi

COMMENT LANCER UN PROGRAMME DE LAVAGE

CHANGEMENT DU PROGRAMME

Vous pouvez changer le programme de lavage si le lave-vaisselle ne fonctionne que depuis quelques minutes. Autrement, il est possible que le détergent ait été libéré et que l'appareil ait drainé l'eau de lavage. Dans ce cas, il faudrait remplir de nouveau le distributeur de détergent.

Pour modifier le programme de lavage, appuyez sur la touche START / RESET pour interrompre le cycle. Appuyez sur la touche programme pendant plus de 3 secondes et choisissez le programme désiré. Le cycle de lavage recommencera.

REMARQUE : Si vous ouvrez la porte pendant le lavage, l'appareil se met en pause. Une fois que vous fermez la porte et appuyez sur la touche Start / Reset, le cycle recommencera dans 10 secondes.

Les indicateurs lumineux montrent l'état du lave-vaisselle :

- a) Tous les indicateurs éteints -----En attente
- b) Pas d'indicateur lumineux clignotant -----Fonctionnement interrompu
- c) Indicateur lumineux clignotant-----En marche

VOUS AVEZ OUBLIÉ UN ARTICLE?

Un article oublié peut être ajouté à n'importe quel moment avant l'ouverture du distributeur de détergent.

- 1 Appuyez sur le bouton Start/Reset pour interrompre le cycle.
- 2 Entrouvrez la porte pour arrêter le lavage.
- 3 Après que les gicleurs cessent de fonctionner, vous pouvez ouvrir la porte complètement.
- 4 Ajoutez les articles oubliés.
- 5 Fermez la porte.
- 6 Appuyez sur le bouton Start/Reset, le fonctionnement du lave-vaisselle reprendra au bout de 10 secondes.

À LA FIN DU CYCLE DE LAVAGE

Lorsque le cycle de travail est terminé, la sonnerie retentit pendant 8 secondes, puis s'arrête. Éteignez l'appareil en appuyant sur le bouton ON/OFF (MARCHE/ARRÊT), fermez l'alimentation en eau et ouvrez la porte du lave-vaisselle. Attendez quelques minutes avant de vider le lave-vaisselle afin de ne pas manipuler les plats et les ustensiles alors qu'ils sont encore chauds et plus cassants. Ils sécheront également mieux.

• Éteignez le lave-vaisselle

- Tous les indicateurs lumineux sont éteints!
- 1.Éteignez le lave-vaisselle en appuyant sur le bouton ON/OFF (MARCHE/ARRÊT).
- 2.Fermez l'alimentation en eau au niveau du robinet!

• Ouvrez la porte prudemment.

Les plats chauds sont vulnérables aux chocs. Il faut laisser refroidir la vaisselle pendant 15 minutes avant de la sortir du lave-vaisselle. Ouvrez la porte du lave-vaisselle, laissez-la entr'ouverte et attendez quelques minutes avant de sortir la vaisselle. Elle pourra ainsi refroidir et mieux sécher.

• Vider le lave-vaisselle

Il est normal que l'intérieur du lave-vaisselle soit mouillé.



AVERTISSEMENT

Il est dangereux d'ouvrir la porte du lave-vaisselle pendant le lavage, parce que l'eau chaude pourrait vous échauder.



Notice d'installation

PRÉPARATION EN VUE DE L'IN- STALLATION

Le lave-vaisselle devrait être installé à proximité des tuyaux d'admission et de drainage existants et du cordon d'alimentation. Le côté de l'armoire de l'évier qui facilite le raccordement des tuyaux de drainage du lave-vaisselle doit être choisi.

POSITIONNEMENT DE L'APPAREIL

Positionnez l'appareil à l'endroit désiré sur le comptoir. Assurez-vous que l'appareil est de niveau et assez proche des branchements électriques et d'eau.

CONCERNANT LE BRANCHEMENT ÉLECTRIQUE

AVERTISSEMENT

Pour votre propre sécurité :

- **N'UTILISEZ PAS DE RALLONGE OU DE FICHE D'ADAPTATION AVEC CET APPAREIL.**
- **SOUS AUCUN PRÉTEXTE, VOUS NE DEVEZ COUPER OU ENLEVER LA TROISIÈME BROCHE (MISE À LA TERRE) DE LA FICHE DU CORDON ÉLECTRIQUE.**

EXIGENCES ÉLECTRIQUES

Veillez consulter l'étiquette signalétique du lave-vaisselle afin de connaître la tension requise et branchez le lave-vaisselle sur l'alimentation électrique appropriée. Utilisez un fusible de 15 ampères à fusion lente ou le disjoncteur recommandé, et prévoyez un circuit séparé qui ne dessert que cet appareil.

RACCORDEMENT ÉLECTRIQUE

Assurez-vous que la fréquence et la tension de l'alimentation correspondent à celles qui figurent sur la plaque signalétique. Ne branchez la fiche que sur une prise électrique qui est mise à la terre correctement. Si la prise électrique sur laquelle l'appareil doit être branché ne convient pas à la fiche :

- Faites remplacer la prise par un professionnel qualifié.
- Évitez d'utiliser des adaptateurs, parce qu'ils pourraient créer une surchauffe et des brûlures.

AVERTISSEMENT

Assurez-vous qu'une mise à la terre correcte est présente avant l'utilisation!

DIRECTIVES RELATIVES À LA MISE À LA TERRE

Cet appareil doit être mis à la terre. En cas de défaillance ou de panne, la mise à la terre réduira le risque de choc électrique en fournissant au courant électrique un chemin de moindre résistance. Cet appareil est doté d'un cordon muni d'un conducteur de mise à la terre de l'équipement et d'une fiche de mise à la terre. La fiche doit être branchée sur une prise appropriée installée et mise à la terre conformément à l'ensemble des codes et des ordonnances locaux.

AVERTISSEMENT

- **Une mauvaise connexion du conducteur de mise à la terre de l'équipement peut entraîner un risque de choc électrique.**
- **Consultez un électricien ou un représentant de l'entretien qualifié si vous n'êtes pas sûr si votre appareil est mis à la terre correctement.**
- **Ne modifiez pas la fiche fournie avec l'appareil. Si elle ne peut être insérée dans la prise, faites installer une prise appropriée par un électricien qualifié.**



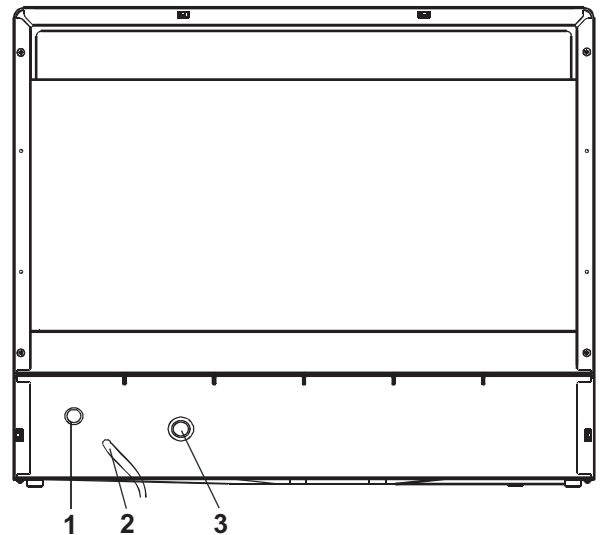
Notice d'installation

RACCORDEMENT ÉLECTRIQUE

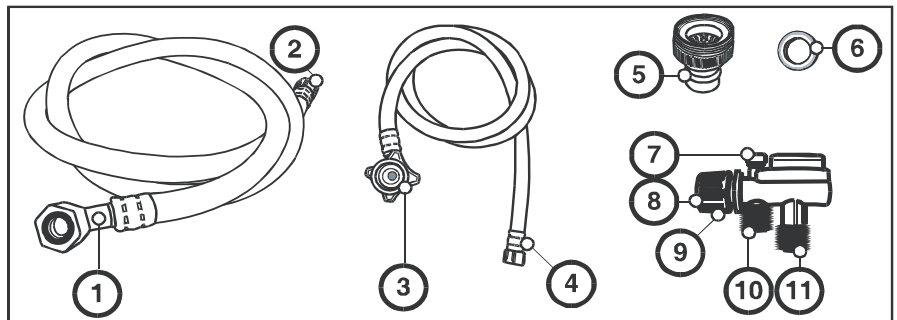
Arrière du lave-vaisselle :

Vue arrière

1. Orifice de drainage
2. Cordon d'alimentation
3. Orifice d'admission



Votre lave-vaisselle est doté d'un raccord à branchement rapide (comprend l'admission et le tuyau de drainage). L'adaptateur de robinet doit être installé sur le robinet avant de pouvoir raccorder le lave-vaisselle. Cet adaptateur est inclus dans votre lave-vaisselle. L'adaptateur de robinet est compatible avec les robinets, que les raccords de robinet soient mâles (filetés à l'extérieur) ou femelles (filetés à l'intérieur).



RACCORD À BRANCHEMENT RAPIDE

Tuyau de drainage

1. Raccord de l'orifice de drainage
2. Raccord à branchement rapide

Tuyau d'admission

3. Raccord de l'orifice d'admission
4. Raccord à branchement rapide

Adaptateur de robinet

5. Adaptateur de robinet
6. Rondelle du robinet

Branchement rapide

7. Soupape de surpression
8. Raccord d'adaptateur de robinet
9. Bague de blocage
10. Raccord du tuyau d'admission
11. Raccord du tuyau de drainage

⚠ AVERTISSEMENT

Afin que l'eau ne reste pas dans le tuyau d'admission, fermez le robinet après l'utilisation.



Notice d'installation

RACCORDEMENT ÉLECTRIQUE (suite)

1. Vissez l'adaptateur de robinet sur (ou dans) le robinet. Vérifiez la présence de fuites (au besoin, utilisez du ruban de téflon pour les éliminer).
2. Branchez le raccord à six côtés du tuyau de drainage au connecteur de l'orifice de drainage, qui se trouve à l'arrière du coffre du lave-vaisselle. Ne serrez pas trop (pour ne pas endommager le filetage).
3. Branchez le raccord à six côtés du tuyau de drainage au connecteur de l'orifice d'admission, qui se trouve à l'arrière du coffre du lave-vaisselle. Ne serrez pas trop (pour ne pas endommager le filetage).
4. Branchez le raccord circulaire du tuyau de drainage sur la connexion mâle plus longue (inférieure) du raccord à branchement rapide.
5. Branchez le raccord circulaire du tuyau d'admission sur la connexion mâle plus longue (inférieure) du raccord à branchement rapide.
6. Fixez le raccord à branchement rapide sur l'adaptateur de robinet, en tirant sur la bague de blocage qui se trouve sur le raccord à branchement rapide tout en poussant le raccord à branchement rapide vers le haut, sur l'adaptateur de robinet.
7. Lorsque le raccord à branchement rapide s'enclenche sur l'adaptateur de robinet, relâchez la bague de verrouillage. Assurez-vous que le raccordement est solide.
8. Ouvrez lentement le robinet d'eau chaude et vérifiez si l'un des raccordements de tuyaux fuit. Si vous décelez des fuites, fermez immédiatement l'alimentation et réparez les raccords des tuyaux.

⚠ IMPORTANT

1. Une fois que vous avez ouvert la conduite d'alimentation en eau (même si vous la fermez immédiatement après), le tuyau d'admission est sous pression.
2. Pour purger la pression de l'eau dans le tuyau d'admission, assurez-vous que le robinet est fermé, puis appuyez sur le bouton de surpression rouge situé sur le raccord à branchement rapide et maintenez-le enfoncé jusqu'à ce que l'eau cesse de couler.

⚠ AVERTISSEMENT

Si la pression de l'eau n'est pas purgée avant de débrancher le raccord à branchement rapide du robinet, cela entraînera un jet d'eau de contrepression.
L'eau expulsée peut être très chaude et vous brûler ou vous échauder gravement.

⚠ DANGER

Ne laissez pas les enfants débrancher le lave-vaisselle. Il est important de toujours bien surveiller les enfants autour des appareils électroménagers.

REMARQUE : L'eau dure aura un effet négatif sur la performance du lavage de votre lave-vaisselle. L'eau dure contribue également à des dépôts d'hydroxyde de calcium (pellicule blanche) ou de tartres sur la surface en acier inoxydable de la cuve et de l'élément chauffant du lave-vaisselle, situé dans le puisard sous la grille amovible du filtre. Pour contribuer à minimiser ces problèmes, il est recommandé de faire fonctionner le lave-vaisselle à vide en utilisant 1 tasse de vinaigre blanc une fois par semaine.

DÉCONNEXION DU LAVE-VAISSELLE

1. Fermez le robinet pour couper l'eau.
2. Débranchez le cordon d'alimentation.
3. Libérez la pression de l'eau.
4. Tirez sur la bague de branchement rapide.



Notice d'installation

DÉMARRAGE DU LAVE-VAISSELLE

Les éléments suivants doivent être vérifiés avant de démarrer le lave-vaisselle :

- 1** Le lave-vaisselle est de niveau et fixé correctement
- 2** Le robinet d'admission du lave-vaisselle est ouvert
- 3** Y a-t-il une fuite au niveau du raccordement des conduites?
- 4** Les fils sont bien serrés
- 5** L'appareil est allumé
- 6** Assurez-vous que les tuyaux d'admission et de drainage ne sont pas tordus
- 7** L'ensemble des matériaux d'emballage et des textes imprimés amovibles doivent être sortis du lave-vaisselle

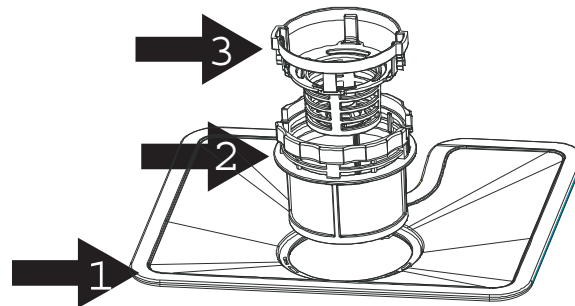


Entretien

SYSTÈME DE FILTRATION

Le filtre empêche les grosses particules d'aliments ou d'autres objets de pénétrer dans la pompe.

Le système de filtration comprend un filtre grossier, un filtre plat (principal) et un filtre fin.



Filtre principal **1**

Les particules d'aliments et de débris piégées par ce filtre sont pulvérisées par un jet spécial provenant du gicleur et envoyées dans le drain.

Filtre fin **2**

Ce filtre retient les particules d'aliments et de débris dans le puisard et les empêche de se redéposer sur la vaisselle pendant un cycle de lavage.

Filtre grossier **3**

Les articles plus gros, tels que des morceaux d'os ou de verre, qui pourraient bloquer le drain sont piégés dans le filtre grossier. Pour enlever les articles piégés par le filtre, il suffit de serrer doucement la poignée située sur le dessus de ce filtre et de le sortir.

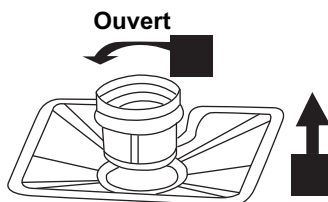
ASSEMBLAGE DU FILTRE

Ce filtre enlève de façon efficace les particules de l'eau de lavage, ce qui permet de la recycler lors d'un cycle. Pour obtenir la meilleure performance et les meilleurs résultats, l'assemblage du filtre doit être nettoyé régulièrement. Pour cette raison, il est recommandé d'enlever les grosses particules de nourriture piégées dans le filtre après chaque cycle de lavage, en rinçant le filtre et le récipient à l'eau courante. Pour enlever l'assemblage du filtre, tirez sur la poignée du récipient pour le soulever.

SYSTÈME DE FILTRATION (suite)

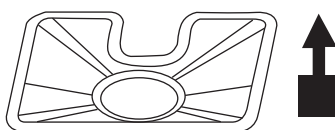
⚠ AVERTISSEMENT

- Ne faites jamais fonctionner le lave-vaisselle si les filtres ne sont pas en place.
- Le lave-vaisselle ne doit jamais être utilisé sans les filtres.
- Si les filtres sont mal replacés, cela pourrait réduire la performance de l'appareil et endommager la vaisselle et les ustensiles.



Étape 1. Faites tourner le filtre fin dans le sens contraire des aiguilles d'une montre.

Étape 2. Soulevez-le.



Étape 3. Soulevez le filtre principal.

REMARQUE : Si vous suivez les étapes séquentiellement de 1 à 3, vous enlevez le système de filtration; si vous le faites de 3 à 1, vous remettez le système de filtration.

- Après chaque utilisation du lave-vaisselle, inspectez les filtres pour vous assurer qu'ils ne sont pas bloqués.
- En dévissant le filtre grossier, vous pouvez enlever le système de filtration. Enlevez les résidus de nourriture et nettoyez les filtres à l'eau courante.
- L'assemblage du filtre doit être nettoyé une fois par semaine.

NETTOYAGE DU FILTRE

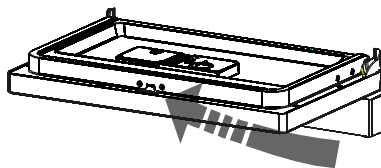
Pour nettoyer le filtre grossier et le filtre fin, utilisez une brosse de nettoyage. Réassemblez les pièces du filtre et réinsérez tout l'assemblage dans le lave-vaisselle, en le positionnant correctement et en appuyant dessus vers le bas.

⚠ AVERTISSEMENT

Lorsque vous nettoyez le filtre, manipulez-le prudemment. Si vous ne le faites pas, les filtres pourraient être endommagés et la performance du lave-vaisselle réduite.

ENTRETIEN DU LAVE-VAISSELLE

Le panneau de commande peut être nettoyé au moyen d'un chiffon légèrement humide et séché à fond. Pour l'extérieur, utilisez une cire de polissage pour électroménagers de bonne qualité. N'utilisez jamais d'objets pointus ou tranchants, de tampons de récurage ou de nettoyeurs puissants sur aucune partie du lave-vaisselle.



NETTOYAGE DE LA PORTE

Pour nettoyer le pourtour de la porte, n'utilisez qu'un chiffon doux humide. Pour empêcher que l'eau pénètre dans le verrou de la porte et les composants électroniques, n'utilisez jamais de nettoyant à pulvériser.

⚠ AVERTISSEMENT

- N'utilisez jamais de nettoyant à pulvériser sur le panneau de la porte, car cela pourrait endommager le verrou de la porte et les composants électroniques.
- Les agents abrasifs et certaines sortes d'essuie-tout ne doivent pas être utilisés en raison du risque d'érafler la surface en acier inoxydable ou de la tacher.

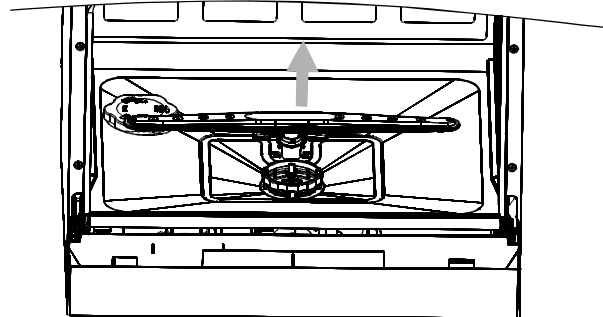


ENTRETIEN DU LAVE-VAISSELLE (suite)

NETTOYAGE DES GICLEURS

Les gicleurs peuvent être enlevés facilement pour un nettoyage périodique des bases, afin d'empêcher le blocage possible. Lavez-les à l'eau courante et remettez-les prudemment en place à la bonne position, en vous assurant que leur mouvement rotatif n'est pas bloqué.

Prenez le gicleur au centre et tirez vers le haut pour l'enlever. Lavez les gicleurs sous un jet d'eau courante, puis remettez-les prudemment en place. Après le remontage, assurez-vous que les gicleurs tournent librement.



COMMENT ENTRETENIR VOTRE LAVE-VAISSELLE

- **Après chaque lavage**

Fermez l'alimentation en eau de l'appareil et laissez la porte légèrement ouverte afin de ne pas piéger l'humidité et les odeurs à l'intérieur.

- **Débranchez l'appareil**

Avant de nettoyer l'appareil ou de l'entretenir, débranchez-le toujours de la prise.

- **Aucun solvant ni nettoyant abrasif**

Pour nettoyer l'extérieur et les parties en caoutchouc du lave-vaisselle, n'utilisez pas de solvants ou de nettoyants abrasifs. N'utilisez qu'un chiffon et de l'eau chaude savonneuse. Pour enlever les taches de la surface intérieure, utilisez un chiffon humecté d'eau avec un peu de vinaigre, ou un produit de nettoyage conçu spécifiquement pour le lave-vaisselle.

- **Lorsqu'il ne sert pas**

Il est recommandé d'exécuter un cycle de nettoyage alors que le lave-vaisselle est vide avant de le débrancher. Fermez l'alimentation en eau et laissez la porte de l'appareil légèrement ouverte. Cela aidera les joints d'étanchéité de la porte à durer plus longtemps et empêchera la formation d'odeurs dans l'appareil.

- **Joints d'étanchéité**

Un des facteurs qui causent la formation d'odeurs dans le lave-vaisselle est le fait que des aliments restent piégés dans les joints d'étanchéité. Un nettoyage périodique au moyen d'une éponge humide empêchera ce phénomène.

Dépannage

Il peut arriver qu'un problème mineur se produise qui ne nécessite pas d'appel de service. Consultez ce guide de dépannage pour trouver une solution possible. Si l'appareil continue de mal fonctionner, appelez un atelier de réparation autorisé ou le numéro sans frais de Danby, au **1-800-263-2629**, pour obtenir de l'assistance.

PROBLÈME	CAUSE POSSIBLE	SOLUTION
Le lave-vaisselle ne fonctionne pas	<ul style="list-style-type: none"> Fusible grillé ou disjoncteur déclenché. L'alimentation en électricité n'est pas allumée. La pression d'eau est faible. 	<ul style="list-style-type: none"> Remplacez le fusible ou réinitialisez le disjoncteur. Assurez-vous que le lave-vaisselle est allumé et que la porte est fermée. Branchez le cordon correctement. Assurez-vous que l'alimentation en eau est branchée et que l'eau est ouverte.
Bruit	<ul style="list-style-type: none"> Certains sons sont normaux. Ustensiles mal mis dans le panier / quelque chose a tombé dans le panier. Le moteur bourdonne. 	<ul style="list-style-type: none"> Sons provenant du déchiquetage des aliments mous et de l'ouverture du distributeur de détergent. Assurez-vous que tout est bien fixé dans le lave-vaisselle. Si vous ne l'utilisez pas souvent, il est possible que le détergent bourdonne - n'oubliez pas de remplir et de drainer l'appareil toutes les semaines afin que les joints d'étanchéité restent humides.
Mousse dans la cuve.	<ul style="list-style-type: none"> Mauvais détergent. Agent de rinçage renversé. 	<ul style="list-style-type: none"> Pour éviter la formation de mousse, n'utilisez que du détergent pour lave-vaisselle. En cas de présence de mousse, ouvrez la porte et laissez la mousse s'évaporer. Essuyez toujours immédiatement l'agent de rinçage renversé.
La vaisselle ne sèche pas	<ul style="list-style-type: none"> Le distributeur d'agent de rinçage est vide. 	<ul style="list-style-type: none"> Assurez-vous que le distributeur d'agent de rinçage est plein.
Les assiettes et la cutellerie ne sont pas propres (taches et pellicules)	<ul style="list-style-type: none"> Mauvais programme sélectionné/exécuté. Mauvais chargement du panier. Eau extrêmement dure. 	<ul style="list-style-type: none"> Sélectionnez un programme plus puissant. Assurez-vous que le distributeur de détergent et le gicleurs ne sont pas bloqués par de grandes assiettes. Enlevez tous les ustensiles en métal du lave-vaisselle
Il reste du détergent dans le distributeur de détergent	<ul style="list-style-type: none"> La vaisselle bloque le distributeur de détergent. 	<ul style="list-style-type: none"> Rechargez correctement la vaisselle.
Eau dans le fond de la cuve	<ul style="list-style-type: none"> Cela est normal. 	<ul style="list-style-type: none"> Une petite quantité d'eau propre autour de l'orifice de sortie au fond de la cuve, à l'arrière, maintient la lubrification du joint hydraulique.
La pompe ne vide pas la cuve	<ul style="list-style-type: none"> Le drain est bloqué. Le moteur de la pompe est défectueux. 	<ul style="list-style-type: none"> Assurez-vous que l'évier de cuisine se vide correctement. Si le lave-vaisselle se vide dans un broyeur de déchets, faites fonctionner celui-ci jusqu'à ce qu'il soit vide. Faites-le vérifier par un technicien qualifié.
Le lave-vaisselle fuit/émet de la vapeur	<ul style="list-style-type: none"> Distributeur trop plein ou agent de rinçage renversé. Le lave-vaisselle n'est pas de niveau. La vapeur est normale. 	<ul style="list-style-type: none"> Assurez-vous de ne pas trop remplir le distributeur d'agent de rinçage. L'agent de rinçage renversé pourrait causer une formation excessive de mousse entraînant un débordement. Essuyez tous les renversements au moyen d'un chiffon humide. Assurez-vous que le lave-vaisselle est de niveau. L'émission de vapeur par le loquet de la porte est normale lors du séchage et du drainage de l'eau.

GARANTIE LIMITÉE SUR APPAREIL ÉLECTROMÉNAGER

Cet appareil de qualité est garanti exempt de tout vice de matière première et de fabrication, s'il est utilisé dans les conditions normales recommandées par le fabricant.

Cette garantie n'est offerte qu'à l'acheteur initial de l'appareil vendu par Danby Products Limited (Canada) ou Danby Products Inc. (E.- U. A.) (ci-après « Danby ») ou par l'un des ses distributeurs agréés et elle ne peut être transférée.

CONDITIONS

Les pièces en plastique sont garanties pour trente (30) jours seulement à partir de la date de l'achat, sans aucune prolongation prévue.

Premiers 12 mois Pendant les premiers douze (12) mois, toutes pièces fonctionnelles de ce produit qui s'avèrent défectueuses seront réparées ou remplacées, selon le choix du garant, sans frais à l'acheteur INITIAL.

Pour bénéficier du service Le client sera responsable pour le transport et tous les frais d'expédition de tout appareil exigeant le service au dépôt de service autorisé le plus proche. S'adresser au détaillant qui a vendu l'appareil, ou à la station technique agréée de service la plus proche, où les réparations doivent être effectuées par un technicien qualifié. Si les réparations sont effectuées par quiconque autre que la station de service agréée où à des fins commerciales, toutes les obligations de Danby en vertu de cette garantie seront annulées.

Aucune partie de la garantie ne prévoit implicitement que le fabricant sera tenu responsable des dommages subis par les aliments ou d'autres types de contenu, qu'ils soient causés par la défectuosité de l'appareil ou par son usage adéquat ou inadéquat.

EXCLUSIONS

En vertu de la présente, il n'existe aucune autre garantie, condition ou représentation, qu'elle soit exprimée ou tacite, de façon manifeste ou intentionnelle, par Danby ou ses distributeurs agréés. De même, sont exclues toutes les autres garanties, conditions ou représentations, y compris les garanties, conditions ou représentations en vertu de toute loi régissant la vente de produits ou de toute autre législation ou règlement semblables.

En vertu de la présente, Danby ne peut être tenue responsable en cas de blessures corporelles ou des dégâts matériels, y compris à l'appareil, quelle qu'en soit les causes. Danby ne peut pas être tenue responsable des dommages indirects dus au fonctionnement défectueux de l'appareil. En achetant l'appareil, l'acheteur accepte de mettre à couvert et de dégager Danby de toute responsabilité en cas de réclamation pour toute blessure corporelle ou tout dégât matériel causé par cet appareil.

CONDITIONS GÉNÉRALES

La garantie ou assurance ci-dessus ne s'applique pas si les dégâts ou réparations sont dus aux cas suivants :

- 1) Panne de courant.
- 2) Dommage subis pendant le transport ou le déplacement de l'appareil.
- 3) Alimentation électrique incorrecte (tension faible, câblage défectueux, fusibles incorrects).
- 4) Accident, modification, emploi abusif ou incorrect de l'appareil tel qu'une circulation d'air inadéquate dans la pièce ou des conditions de fonctionnement anormales (température extrêmement élevée ou basse).
- 5) Utilisation dans un but commercial ou industriel (à savoir, si l'appareil n'est pas installé dans un domicile résidentiel).
- 6) Incendie, dommages causés par l'eau, vol, guerre, émeute, hostilités, cas de force majeure (ouragan, inondation, etc.).
- 7) Visites d'un technicien pour expliquer le fonctionnement de l'appareil au propriétaire.
- 8) Installation inappropriée (par exemple, encastrement d'un appareil autoportant, ou utilisation extérieure d'un appareil non conçu à cet effet). Une preuve d'achat doit être présentée pour toute demande de réparation sous garantie. Prière de garder le reçu. Pour faire honorer la garantie, présenter ce document à la station technique agréée ou s'adresser à :

Service sous garantie
En Atelier

Danby Products Limited
PO Box 1778, Guelph, Ontario, Canada N1H 6Z9
Téléphone: (519) 837-0920 Télécopieur: (519) 837-0449

1-800-263-2629
03/14

Danby Products Inc.
PO Box 669, Findlay, Ohio, U.S.A. 45840
Téléphone: (419) 425-8627 Télécopieur: (419) 425-8629



DISHWASHER

The model number of your appliance is found on the serial plate located on the back panel of the unit.

All repair parts are available for purchase or special order when you visit your nearest service depot. To request service and/or location of the service depot nearest you, call the toll free number listed to the left in Canada and the U.S.

When requesting service, or ordering parts, always provide the following information:

- **Product Type**
- **Model Number**
- **Part Description**

LAVE-VAISSELLE

Le numéro de modèle se trouve sur la plaque signalétique au dos de l'unité.

Toutes les pièces de rechange sont disponibles immédiatement ou peuvent être commandées de votre Centre de Service régional. Pour obtenir le service et/ou le Centre de Service le plus proche, téléphonez le numéro sans-frais indiqué à gauche pour le Canada et les États-Unis.

Ayez les informations suivantes à la portée de la main lors de la commande de pièces ou service:

- **Genre de produit**
- **Numéro de modèle**
- **Description de la pièce**



Model • Modèle
DDW611WLED

Danby Products Limited, Ontario, Canada N1H 6Z9
Danby Products Inc., Findlay, Ohio, USA 45840

Free Manuals Download Website

<http://myh66.com>

<http://usermanuals.us>

<http://www.somanuals.com>

<http://www.4manuals.cc>

<http://www.manual-lib.com>

<http://www.404manual.com>

<http://www.luxmanual.com>

<http://aubethermostatmanual.com>

Golf course search by state

<http://golfingnear.com>

Email search by domain

<http://emailbydomain.com>

Auto manuals search

<http://auto.somanuals.com>

TV manuals search

<http://tv.somanuals.com>