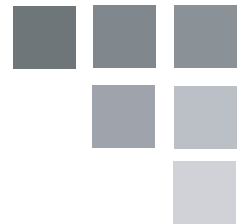




- Owner's Use and Care Guide
- Guide d'utilisation et soin de Propriétaire

**MICROWAVE OVEN
FOUR À MICRO-ONDES**

Model • Modèle **DMW111KBLDB
DMW111KWDB**



Contents

MICROWAVE OVEN

Owner's Use and Care Guide 1-15

- Welcome
- Important Safety Information
- Installation Guide
- Operation
- Care and Maintenance
- Troubleshooting
- Warranty

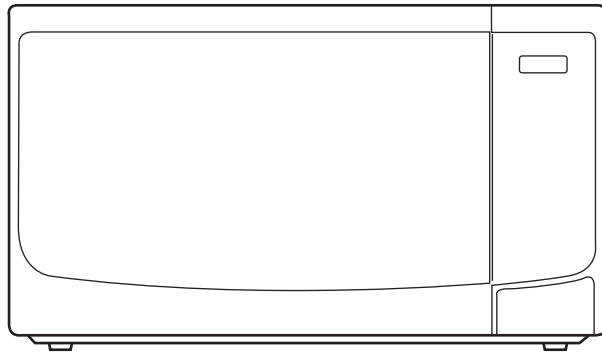
FOUR À MICRO-ONDES

Guide d'utilisation et soins de Propriétaire 16-30

- Bienvenue
- Information de Sécurité Important
- Guide d'Installation
- Fonctionnement
- Soins et Entretien
- Dépannage
- Garantie

CAUTION:
Read and follow all safety rules and operating instructions before first use of this product.

PRECAUTION:
Veuillez lire attentivement les consignes de sécurité et les instructions d'utilisation avant l'utilisation initiale de ce produit.



Model • Modèle **DMW111KBLDB / DMW111KWDB**

Welcome

Welcome to the Danby family. We're proud of our quality products and we believe in dependable service. You'll see it in this easy to use manual and you'll hear it in the friendly voices of our consumer service department.

Best of all, you'll experience these values each time you use your microwave. That's important, because your new microwave will be part of your family for a long time.

Model No: _____

Serial No: _____

Date Purchased: _____

Need Help?

Before you call for service, there are a few things you can do to help us serve you better.

Read this Owner's Use and Care Guide:

It contains instructions to help you use and maintain your appliance properly.

If you received a damaged appliance:

Immediately contact the builder (or dealer) that sold you the unit.

Save time and money:

Check the Trouble shooting section before calling. This section helps you solve common problems that may occur.

If you do need service, you can relax knowing help is only a phone call away.



Tel: 1-800-26-**Danby**
(1-800-263-2629)



Important Safety Information

READ AND FOLLOW ALL SAFETY INSTRUCTIONS

FEDERAL COMMUNICATIONS COMMISSION RADIO FREQUENCY INTERFERENCE STATEMENT (U.S.A. ONLY)

This equipment generates and uses ISM frequencies and if not installed and used properly, that is in strict accordance with the manufacturer's instructions, may cause interference to radio and television reception. It has been type-tested and found to comply with limits for ISM Equipment pursuant to Part 18 of FCC Rules, which are designed to provide reasonable protection against such interference in a residential installation.

However, there is no guarantee that interference will not occur in particular installations. If this equipment does cause interference to radio or television reception, which can be determined by turning the equipment off and on, the user is encouraged to try to correct the interference by one or more of the following:

- Reorient the receiving antenna of radio or television.
- Relocate the microwave oven with respect to the receiver.
- Move the microwave oven away from the receiver.
- Plug the microwave into a different outlet so that microwave and receiver are on different branch circuits.



The Manufacturer is not responsible for any radio or TV interference caused by **UNAUTHORIZED MODIFICATION** to this microwave oven. It is the responsibility of the user to correct such interference.

PRECAUTIONS TO AVOID POSSIBLE EXPOSURE TO EXCESSIVE MICROWAVE ENERGY

For your safety the information in this manual must be followed to minimize the risk of fire or explosion or to prevent property damage, personal injury or loss of life.

Do Not Attempt to operate this oven with the door open since open-door operation can result in harmful exposure to microwave energy. It is important not to defeat or tamper with the safety interlocks.

Do Not Place any object between the oven front face and the door or allow soil or cleaner residue to accumulate on sealing surfaces.

Do Not Operate the oven if it is damaged. It is particularly important that the oven door close properly and that there is no damage to the:

1. door (bent),
2. hinges and latches (broken or loosened),
3. door seals and sealing surfaces.

The Oven Should Not be adjusted or repaired by anyone except properly qualified service personnel.

SAVE THESE INSTRUCTIONS



Important Safety Information

READ AND FOLLOW ALL SAFETY INSTRUCTIONS

IMPORTANT WARNING

To reduce the risk of fire, electric shock, injury to persons or exposure of excessive microwave energy when using your appliance

SAFETY PRECAUTIONS

- Read and follow the specific “Precautions to Avoid Possible Exposure to Excessive Microwave Energy” on page 2.
 - This appliance must be grounded. Connect only to a properly grounded outlet. See “Grounding Instructions” section on page 6.
 - Do not operate this appliance if it has a damaged power cord or plug, if it is not working properly, or if it has been damaged or dropped.
 - Do not cover or block any openings on the appliance.
 - Use this appliance only for its intended use as described in this manual. Do not use corrosive chemicals or vapors in this appliance.
 - This microwave oven is specifically designed to heat, dry or cook food, and is not intended for laboratory or industrial use.
 - Some products such as whole eggs and sealed containers for example, closed glass jars- may explode and should not be heated in this oven.
 - Do not store this appliance outdoors.
 - Do not use this product near water-for example, in a wet basement, near a swimming pool or near a sink.
 - Keep power cord away from heated surfaces.
 - Do not immerse power cord or plug in water.
 - See door surface cleaning instructions in the Care and Maintenance section(s) of this manual.
 - This appliance should be serviced only by qualified service personnel. Contact nearest authorized service facility for examination, repair or adjustment.
 - As with any appliance, close supervision is necessary when used by children.
- To reduce the risk of fire in the oven cavity:**
- Do not overcook food.
 - Carefully attend appliance if paper, plastic or other combustible materials are placed inside the oven while cooking.
 - Remove wire twist-ties and metal handles from paper or plastic containers before placing them in the oven.
 - Do not use the oven for storage purposes. Do not leave paper products, cooking utensils or food in the oven when not in use.
 - Do not use the microwave to dry newspapers.
 - If materials inside oven should ignite, keep the oven door closed, turn the oven off and disconnect the power at the fuse or circuit breaker panel. If the door is opened, the fire may spread.

SAVE THESE INSTRUCTIONS



Important Safety Information

SPECIAL NOTES ABOUT MICROWAVING

ARCING

If you see arcing, press the “STOP/CANCEL” button and correct the problem. Arcing is the microwave term for sparks in the oven.

Arcing is caused by:

- Metal or foil touching the side of the oven.
- Foil not molded to food (upturned edges act like antennae).
- Metal, such as twist-ties, poultry pins, or gold-rimmed dishes, in the microwave.
- Recycled paper towels containing small metal pieces being used in the microwave.

FOODS

- Only cook popcorn in your microwave oven using a special microwave popcorn accessory dish, unless you use popcorn labeled for use in microwave ovens.
- Some products- such as whole eggs (with shell), sealed containers, and closed jars - will explode and should not be heated in this microwave oven. Heating these products in the microwave oven could result in injury.
- Do not boil eggs in a microwave oven. Pressure will build up inside egg yolk and will cause it to burst, possibly resulting in injury.
- Operating the microwave with no food inside may cause damage to the oven and could start a fire. It increases the heat around the magnetron and can shorten the life of the oven.
- Foods with unbroken outer “skin” such as potatoes, hot dogs, sausages, tomatoes, apples, chicken livers and other giblets, and egg yolks should be pierced to allow steam to escape before cooking.

SAFETY FACT: SUPERHEATED WATER

Microwaved water and other liquids do not always bubble when they reach the boiling point; they can actually get superheated and not bubble at all. Superheated liquid can bubble up when it is moved or when something like a spoon or tea bag is put into it. To prevent this from happening and causing injury, do not heat any liquid for more than 2 minutes per cup. After heating, let the cup stand in the microwave for 30 seconds before moving it or putting anything into it.

- Avoid heating baby food in glass jars, even with the lid off. Make sure all infant food is thoroughly cooked. Stir food to distribute the heat evenly. Be careful to prevent scalding when warming formula. The container may feel cooler than the milk really is. **Always test the milk before feeding the baby.**

- Spontaneous boiling- Under certain circumstances, liquids may start to boil during or shortly after removal from the microwave oven. To prevent burns from splashing liquid, we recommend the following:

Before removing the container from the oven, allow the container to stand in the the oven for 30 to 40 seconds. Containers such as soft drink bottles, wine flasks and especially narrow-necked coffee cups. Even if the container is opened, excessive steam can build up and cause it to burst or overflow.

- Don't defrost frozen beverages in narrow-necked bottles (especially carbonated beverages). Even if the container is opened, pressure can build up. This can cause the container to burst, possibly resulting in injury.

- Hot foods and steam can cause burns. Be careful when opening any containers of hot food, including popcorn bags, cooking pouches and boxes. To prevent possible injury, direct steam away from hands and face.



Important Safety Information

SPECIAL NOTES ABOUT MICROWAVING

SAFETY FACT: SUPERHEATED WATER (con't)

- Do not overcook potatoes. They could dehydrate and catch fire, causing damage to your oven.
- Cook meat and poultry thoroughly- meat to at least an INTERNAL temperature of 160°F (71.1°C), and poultry to at least an INTERNAL temperature of 180°F (82.2°C). Cooking to these temperatures usually protects against food borne illness.

MICROWAVE-SAFE COOKWARE

Make sure all cookware used in your microwave oven is suitable for microwaving. Most glass casserole, cooking dishes, measuring cups, custard cups, pottery or china dinnerware which do not have metallic trim or glaze with a metallic sheen can be used. Some cookware will be labeled "suitable for microwaving".

- If you use a meat thermometer while cooking, make sure it is safe for use in microwave ovens.
- Do not use recycled paper products. Recycled paper towels, napkins, and waxed paper can contain metal flecks which may cause arcing or ignite. Paper products containing nylon or nylon filament should be avoided, as they may also ignite.
- Not all plastic wrap is suitable for use in microwave ovens. Check the package for proper use.
- Some styrofoam trays (like those that meat is packaged on) have a thin strip of metal embedded in the bottom. When microwaved, the metal can burn the floor of the oven, or ignite a paper towel.
- Cookware may become hot because of heat transferred from the heated food. Pot holders may be needed to handle the cookware.
- "Boilable" cooking pouches and tightly closed plastic bags should be slit, pierced, or vented as directed by package. If they are not, plastic could burst during or immediately after cooking, possibly resulting in injury. Also, plastic storage containers should be at least partially uncovered because they form a tight seal. When cooking with containers tightly covered with plastic wrap, remove covering carefully and direct steam away from hands and face.
- Paper towels, waxed paper, and plastic wrap can be used to cover dishes in order to retain moisture and prevent splattering. Be sure to vent plastic wrap so steam can escape.

How to test for a microwave-safe dish:

- 1) Place in the oven both the dish you are testing and a glass measuring cup filled with 1 cup of water.
- 2) Set the measuring cup either in or next to the dish.
- 3) Microwave 1 minute on high power.

If the dish heats, it should not be used for microwaving. If the dish remains cool and only the water in the cup heats, then the dish is microwave-safe.

- Use foil only as directed in this manual. TV dinners may be microwaved in foil trays less than 3/4" high; remove the top foil cover and return the tray to the box. When using foil in the microwave, keep the foil at least 1 inch away from the sides of the oven.



Important Safety Information

SPECIAL NOTES ABOUT MICROWAVING

MICROWAVE-SAFE COOKWARE (con't)

• Plastic cookware designed for microwave cooking is very useful, but should be used carefully. Even microwave-safe plastic may not be as tolerant of overcooking conditions as are glass and ceramic materials, and may soften or char if subjected to short periods of over-cooking. In longer exposure to over-cooking, the food and cookware could ignite.

Follow these guidelines:

- 1) Use Microwave-safe plastics only and use them in strict compliance with the cookware manufacturer's recommendations.
- 2) Do not microwave empty containers.
- 3) Do not permit children to use plastic cookware without complete supervision.

GROUNDING INSTRUCTIONS

WARNING

Improper use of the grounding plug can result in a risk of electric shock.

This appliance must be grounded. In the event of an electrical short circuit, grounding reduces the risk of electric shock by providing an escape wire for the electric current. This appliance is equipped with a power cord having a grounding wire with a grounding plug. The plug must be plugged into an outlet that is properly installed and grounded.

Consult a qualified electrician or service technician if the grounding instructions are not completely understood, or if doubt exists as to whether the appliance is properly grounded. If the outlet is a standard 2-prong wall outlet, it is your personal responsibility and obligation to have it replaced with a properly grounded 3-prong wall outlet.

DO NOT under any circumstances cut or remove the third (ground) prong from the power cord.

DO NOT use an adapter plug with this appliance.

DO NOT use an extension cord with this appliance.

If the power cord is too short, have a qualified electrician or service technician install an outlet near the appliance.

For best operation, plug this appliance into its own electrical outlet to prevent flickering of lights, blowing of fuse, or tripping of circuit breaker.



Installation Guide

- 1) Make sure that all packing materials are removed from the inside of the microwave oven.
- 2) Check the microwave for any damage, such as misaligned or bent door, damaged door seals and sealing surface, broken or loose door hinges and latches, and dents inside the cavity or on the door. If there is any damage, do not operate the oven but contact a qualified service personnel.
- 3) This microwave oven must be placed on a flat, stable surface to hold its weight.
- 4) Do not place the microwave oven where heat, moisture, or high humidity are generated, or near combustible materials.
- 5) For correct operation, the microwave oven must have sufficient air flow. Allow 30 cm of space above the microwave oven, 10 cm at back and 7.5 cm at both sides. Do not cover or block any openings on the appliance. Do not remove the feet on which the microwave oven stands.
- 6) Do not operate the oven without glass tray, roller support, and shafts in their proper positions.
- 7) Make sure that the power supply cord is undamaged and does not run under the microwave oven or over any hot or sharp surfaces.
- 8) The socket must be readily accessible so that it can be easily unplugged in an emergency.

SPECIAL CORD SET INSTRUCTIONS

DANGER

Electric Shock Hazard: Touching some of the internal components can cause serious personal injury or death. Do not disassemble this appliance

WARNING

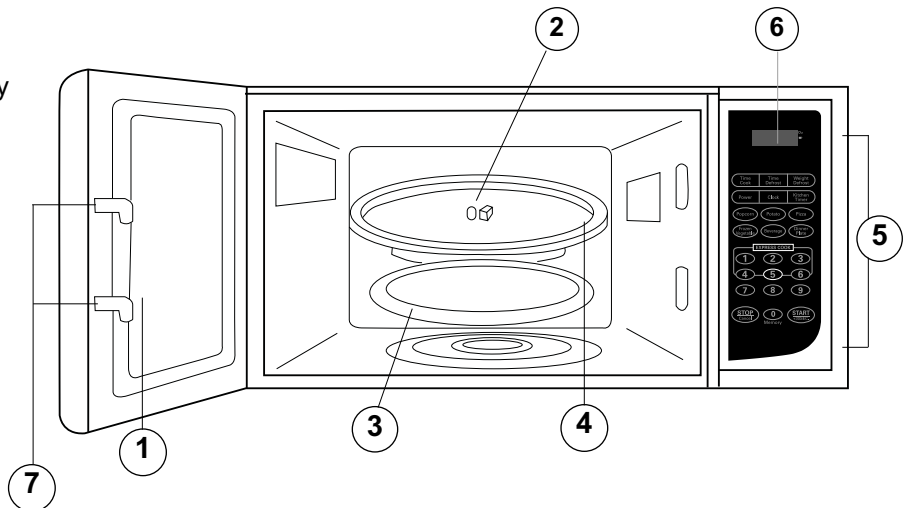
Electric Shock Hazard: Improper grounding can result in electric shock. Do not plug into an outlet until appliance is properly installed and grounded.



Operating Instructions

FEATURES

- 1) **Oven Window:** Screen allows cooking to be viewed while keeping microwave energy confined in oven.
- 2) **Turntable Shaft**
- 3) **Roller Ring**
- 4) **Removable Glass Turntable:** Turntable and support must be in place when using the oven. The turntable may be removed for cleaning.
- 5) **Control Panel**
- 6) **Electronic Display**
- 7) **Safety Interlock System**

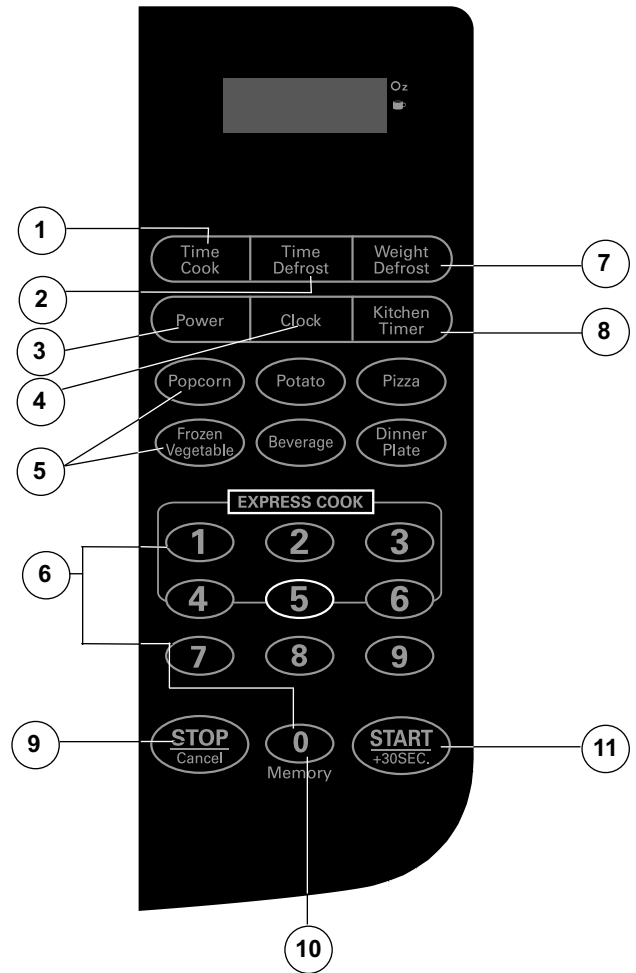




Operating Instructions

CONTROLS

- 1) TIME COOK
- 2) TIME DEFROST
- 3) POWER
- 4) CLOCK
- 5) AUTO MENU: Popcorn, Potato, Pizza, Frozen vegetable, Beverage, Dinner plate
- 6) NUMBER BUTTONS
- 7) WEIGHT DEFROST
- 8) KITCHEN TIMER FUNCTION
- 9) **STOP/CANCEL:** clears all previous setting pressed before cooking starts. During cooking: press once to stop oven; twice to stop an clear all entries.
- 10) Memory Function
- 11) **START/+30SEC.**



POWER LEVELS

11 power levels are available:

Level	10	9	8	7	6	5	4	3	2	1	0
Power	100%	90%	80%	70%	60%	50%	40%	30%	20%	10%	0%
Display	PL10	PL9	PL8	PL7	PL6	PL5	PL4	PL3	PL2	PL1	PL0

CLOCK SETTING

- 1) Press clock and "00:00" will display.
- 2) Press the number keys and enter the current time. For example, time is 10:12 now, please press "1,0,1,2" in turn.
- 3) Press "CLOCK" to finish clock setting. ":" will flash and the clock will be lighted.
- 4) If the numbers input are not within the range of 1:00-12:59, the setting will be invalid until valid numbers are entered.

NOTE:

- 1) In the process of clock setting, if the "STOP/CANCEL" button is pressed or if there is no operation within 1 minute, the oven will go back to the former setting automatically.
- 2) If the clock need to be reset, please repeat step 1 to step 3.



Operating Instructions

KITCHEN TIMER

- 1) Press "**KITCHEN TIMER**"; LED will display "**00:00**", and the first hour figure will flash.
- 2) Press the number keys and enter the timer time (the maximum cooking time is 99 minutes and 99 seconds).
- 3) Press "**START/+30SEC.**" to confirm the setting
- 4) When the kitchen timer time is reached, the microwave will sound 5 times. If the clock is set the LED will show current time.

NOTE:The kitchen timer is different from the 12-hour clock system and is intended only for use when timing.

MICROWAVE COOKING

- 1) Press "TIME COOK" once, LED will display "00:00".
- 2) Press number keys to input the cooking time; the maximum cooking time is 99 minutes and 99 seconds.
- 3) Press "POWER" once, LED will display "PL10". The default power is 100% power. Now you can press number keys to adjust the power level.
- 4) Press "START/+30SEC." to start cooking.

EXAMPLE:

To cook the food with 50% microwave power for 15 minutes.

- a. Press "TIME COOK" once."00:00" displays.
- b. Press "1", "5", "0", "0" in order.
- c. Press "POWER"once,then press "5" to select 50% microwave power.
- d. Press "START/+30SEC." to start cooking.



NOTE:

- 1) In the process of setting, if the "STOP/CANCEL" button is pressed or if there is no operation within 1 minute, the oven will go back to the former setting automatically.
- 2) If "PL0" selected, the oven will work with fan for no power. You can use this level to remove the odour of the oven.
- 3) During microwave cooking, "POWER" can be pressed to change the power you need. After pressing "POWER",the current power flash for 3 seconds, now you can press number button to change the power. The oven will work with the selected power for the rest time.

SPEEDY COOKING

- 1) Instant cooking (from waiting state) at 100% power level can be started by selecting a cooking time from 1 to 6 minutes, by pressing the number pads 1 to 6. Press "**START/+30SEC.**" to increase the cooking time; the maximum cooking time is 99 minutes and 99 seconds.
- 2) Instant cooking at 100% power level for a duration of 30 seconds' cooking time can be started by pressing "**START/+30SEC.**". Each press on this button will increase cooking time by 30 seconds (to a maximum of 99 minutes, 99 seconds).

NOTE: During microwave cooking and time defrost, time can be added by pressing the "**START/30SEC.**" button.



Operating Instructions

WEIGHT DEFROST

- 1) Press "**WEIGHT DEFROST**"; LED will display "**dEF1**"
- 2) Press numerical buttons to input weight to be defrosted. Input the weight ranged between 4~100 Oz.
- 3) If the weight input is not within 4~100 Oz, the input will be invalid. A "beep" will sound and the unit will not work until valid numbers are inputted.
- 4) Press " **START/+30SEC.** " to start defrosting and the cooking time remaining will be displayed.



TIME DEFROST

- 1) Press "**TIME DEFROST**"; LED will display "**dEF2**".
- 2) Press the number buttons to input defrosting time. The accepted time range is **00:01-99:99**; if the time input is not within this range, A "beep" will sound and the microwave will not function until valid numbers are inputted.
- 3) The default microwave power is power level 3. If you want to change the power level, press "**POWER**" once, and the LED will display "**PL3**"; press the number of the power level you desire.
- 4) Press "**START/+30SEC.**" to start defrosting and the remaining cooking time will be displayed



POPCORN

- a) Press " **POPCORN** " repeatedly until the number you wish appears in the display, "1.75","3.0","3.5" Oz will display in order.
For example, press "POPCORN" once , "1.75" appears.
- b) Press " **START/+30 SEC.** " to cook, buzzer will sound five times and then turn back to waiting state.



POTATO

- a) Press " **POTATO** " repeatedly until the number you wish appears in the display, "1","2","3" will display in order.
"1"SET : 1 potato (approximate 230 gram)
"2"SETS: 2 potatoes (approximate 460 gram)
"3"SETS: 3 potatoes (approximate 690 gram)
For example, press "POTATO" once , "1" appears.
- b) Press " **START/+30 SEC.** " to cook, buzzer sounds once. When cooking finish, buzzer sounds five times and then turn back to waiting state.



FROZEN VEGETABLE

- a) Press " **FROZEN VEGETABLE** " repeatedly until the number you wish appears in the display, "4.0","8.0","16.0" oz will display in order.
For example, press "FROZEN VEGETABLE" once , "4.0" appears.
- b) Press " **START/+30 SEC.** " to cook, buzzer sounds once. When cooking finish, buzzer sounds five times and then turn back to waiting state.





Operating Instructions

BEVERAGES

- a) Press " BEVERAGE " repeatedly until the number you wish appears in the display, "1","2","3" cup will display in order. One cup is about 120ml. For example, press "BEVERAGE" once , "1" appears.
- b) Press " START/+30 SEC. " to cook, buzzer sounds once. When cooking is finished, the buzzer sounds five times and then turns back to waiting state.



DINNER PLATE

- a) Press " DINNER PLATE " repeatedly until the number you wish appears in the display, "9.0","12.0","18.0" oz will display in order. For example, press "DINNER PLATE" once , "9.0" appears.
- b) Press " START/+30 SEC " to cook, buzzer sounds once. When cooking finishes, buzzer will sound five times and then turn back to waiting state.



PIZZA

- a) Press " PIZZA " repeatedly until the number you wish appears in the display, "4.0","8.0","14.0" oz will display in order. For example, press "PIZZA" once , "4.0" appears.
- b) Press " START/+30 SEC " to cook, buzzer will sound once. When cooking finishes, the buzzer will sound five times and then turn back to waiting state.



MEMORY CLOCK

- 1) Press "0/MEMORY" to choose memory 1-3 procedure. The LED will display 1,2,3.
- 2) If the procedure has been set, press " START/ +30 SEC." to use it. If not, continue to set the procedure. Only one or two stages can be set.
- 3) After finishing the setting, press "START/ +30 SEC." once to save the procedure and turn back to the waiting states. If press " START/ +30 SEC." again, it will start cooking. Example: to set the following procedure as the second memory, that is memory 2. to cook the food with 80% microwave power for 3minutes and 20 seconds.

The steps are as follow:

- a. In waiting states, press "0/MEMORY" twice, stop pressing until the screen displays "2".
- b. Press "TIME COOK" once, then press "3","2","0" in order.
- c. Press "POWER" once, "PL10" display, then press "8" and "PL8" displays.
- d. Press "START/ +30 SEC." to save the setting. Buzzer sounds once then turn back to waiting states. If you press "START/+30SEC." again, the procedure will be saved as the memory 2 and operated.
- e. If the electricity is not cut off, the procedure will be saved all the time. If it is, the procedure need to reset.
- f. If you want to run the saved procedure, in waiting states, press "0/MEMORY" twice, screen displays "2", then press "START/+30SEC." to run.



Operating Instructions

MULTI-STAGE COOKING

At most 2 stages can be set for cooking. In multi-stage cooking, if one stage is defrosting, then defrosting shall be placed at the first stage automatically.

NOTE: Auto cooking cannot work in the multi-stage cooking.


Example: if you want to cook with 80% microwave power for 5 minutes + 60% microwave power for 10 minutes. The cooking steps are as following:

- 1) Press "TIME COOK" once, then press "5", "0", "0" to set the cooking time;
- 2) Press "POWER" once, then press "8" to select 80% microwave power.
- 3) Press "TIME COOK" once, then press "1", "0", "0", "0" to set the cooking time;
- 4) Press "POWER" once, then press "6" to select 60% microwave power.
- 5) Press "START/ +30 SEC." to start cooking.

INQUIRING FUNCTION

- 1) In cooking state, press "CLOCK", the LED will display clock for three seconds.
- 2) In the microwave cooking state, press "POWER" to inquire microwave power level, and the current microwave power will be displayed. After three seconds, the oven will turn back to the previous state. In multi-stage state, the inquiring way can be done by the same way as above.

LOCK FUNCTION FOR CHILDREN

TO LOCK: While the microwave is nonoperational, press and hold "STOP/CANCEL" for three seconds; the microwave will sound a long beep, denoting the entering into the child-safety lock state, meanwhile LED will display: 

TO UNLOCK: From the locked state, press and hold "STOP/CANCEL" for three seconds; the microwave will sound a long beep, denoting that the microwave is now unlocked.

COOKING END REMINDING FUNCTION

When the cooking is over, the buzzer will sound 5 "beeps" to alert user the cooking is finished.

OTHER SPECIFICATIONS

- 1) In standby state, if the set clock digital tube displays current time, the icon ":" would flash; otherwise, it shows "0:00".
- 2) In setting function state, LED displays corresponding setting.
- 3) In working or pause state, LED displays surplus cooking time.



Care and Maintenance

- 1) Turn off the oven and remove the power plug from the wall socket before cleaning.
- 2) Keep the inside of the oven clean. When food splatters or spilled liquids adhere to oven walls, wipe with a damp cloth. Mild detergent may be used if the oven gets very dirty. Avoid the use of spray and other harsh cleaners as they may stain, streak or dull the door surface.
- 3) The outside surfaces should be cleaned with a damp cloth. To prevent damage to the operating parts inside the oven, water should not be allowed to seep into the ventilation openings.
- 4) Wipe the window on both sides with a damp cloth to remove any spills or splatters.
- 5) Do not allow the control panel to become wet. Clean with a soft, damp cloth. When cleaning the control panel, leave oven door open to prevent oven from accidentally turning on.
- 6) If steam accumulates inside or around the outside of the oven door, wipe with a soft cloth. This may occur when the microwave oven is operated under high humidity conditions; this is normal.
- 7) It is occasionally necessary to remove the glass tray for cleaning. Wash the tray in warm soapy water or in a dishwasher.
- 8) The roller ring and oven floor should be cleaned regularly to avoid excessive noise. Simply wipe the bottom surface of the oven with mild detergent. The roller ring may be washed in mild soapy water or dishwasher. When removing the roller ring from cavity floor for cleaning, be sure to replace in the proper position.
- 9) Remove odors from your oven by combining a cup of water with the juice and skin of one lemon in a deep bowl, microwave for 5 minutes. Wipe thoroughly and dry with a soft cloth.
- 10) When it becomes necessary to replace the oven light, please consult a dealer to have it replaced.
- 11) When cleaning the surface of the door or oven, use only mild non abrasive soaps or detergents applied with a sponge or soft cloth.



Troubleshooting

Occasionally, a problem may arise that is minor in nature, and a service call may not be necessary. Use this troubleshooting guide for a possible solution. If the unit continues to operate improperly, call an authorized service depot or Danby's Toll Free Number **1-800-263-2629** for assistance.

PROBLEM	POSSIBLE CAUSE	SOLUTION
Oven will not start	<ul style="list-style-type: none">a. Electrical cord for oven is not plugged in.b. Door is open.c. Wrong operation is set.	<ul style="list-style-type: none">a. Plug into the outlet.b. Close the door and try again.c. Check instructions.
Arcing or sparking	<ul style="list-style-type: none">a. Materials to be avoided in microwave oven were used.b. The oven is operated when empty.c. Spilled food remains in the cavity.	<ul style="list-style-type: none">a. Use microwave-safe cookware only.b. Do not operate with oven empty.c. Clean cavity with wet towel.
Unevenly cooked foods	<ul style="list-style-type: none">a. Materials to be avoided in microwave oven were used.b. Food is not defrosted completely.c. Cooking time, power level is not suitable.d. Food is not turned or stirred.	<ul style="list-style-type: none">a. Use microwave-safe cookware only.b. Completely defrost food.c. Use correct cooking time, power level.d. Turn or stir food.
Overcooked foods	Cooking time, power level is not suitable.	Use correct cooking time, power level.
Undercooked foods	<ul style="list-style-type: none">a. Materials to be avoided in microwave oven were used.b. Food is not defrosted completely.c. Oven ventilation ports are restricted.d. Cooking time, power level is not suitable.	<ul style="list-style-type: none">a. Use microwave-safe cookware only.b. Completely defrost food.c. Check to see that oven ventilation ports are not restricted.d. Use correct cooking time, power level.
Improper defrosting	<ul style="list-style-type: none">a. Materials to be avoided in microwave oven were used.b. Cooking time, power level is not suitable.c. Food is not turned or stirred.	<ul style="list-style-type: none">a. Use microwave-safe cookware only.b. Use correct cooking time, power level.c. Turn or stir food.

Danby[®] LIMITED APPLIANCE WARRANTY

This quality product is warranted to be free from manufacturer's defects in material and workmanship, provided that the unit is used under the normal operating conditions intended by the manufacturer.

This warranty is available only to the person to whom the unit was originally sold by Danby Products Limited (Canada) or Danby Products Inc. (U.S.A.) (hereafter "Danby") or by an authorized distributor of Danby, and is non-transferable.

TERMS OF WARRANTY

Plastic parts, are warranted for thirty (30) days only from purchase date, with no extensions provided.

First Year During the first twelve (12) months, any functional parts of this product found to be defective, will be repaired or replaced, at warrantor's option, at no charge to the ORIGINAL purchaser.

To obtain Service It will be the consumer's responsibility to transport the appliance (at their own expense) to the original retailer (point of purchase) or a service depot for repair. Contact your dealer from whom your unit was purchased, or contact your nearest authorized Danby service depot, where service must be performed by a qualified service technician.

If service is performed on the unit by anyone other than an authorized service depot, or the unit is used for commercial application, all obligations of Danby under this warranty shall be void.

Nothing within this warranty shall imply that Danby will be responsible or liable for any spoilage or damage to food or other contents of this appliance, whether due to any defect of the appliance, or its use, whether proper or improper.

EXCLUSIONS

Save as herein provided, Danby, there are no other warranties, conditions, representations or guarantees, express or implied, made or intended by Danby or its authorized distributors and all other warranties, conditions, representations or guarantees, including any warranties, conditions, representations or guarantees under any Sale of Goods Act or like legislation or statute is hereby expressly excluded. Save as herein provided, Danby shall not be responsible for any damages to persons or property, including the unit itself, howsoever caused or any consequential damages arising from the malfunction of the unit and by the purchase of the unit, the purchaser does hereby agree to indemnify and hold harmless Danby from any claim for damages to persons or property caused by the unit.

GENERAL PROVISIONS

No warranty or insurance herein contained or set out shall apply when damage or repair is caused by any of the following:

- 1) Power failure.
- 2) Damage in transit or when moving the appliance.
- 3) Improper power supply such as low voltage, defective house wiring or inadequate fuses.
- 4) Accident, alteration, abuse or misuse of the appliance such as inadequate air circulation in the room or abnormal operating conditions (extremely high or low room temperature).
- 5) Use for commercial or industrial purposes (ie. If the appliance is not installed in a domestic residence).
- 6) Fire, water damage, theft, war, riot, hostility, acts of God such as hurricanes, floods etc.
- 7) Service calls resulting in customer education.
- 8) Improper Installation (ie. Building-in of a free standing appliance or using an appliance outdoors that is not approved for outdoor application).

Proof of purchase date will be required for warranty claims; so, please retain bill of sale. In the event warranty service is required, present this document to our AUTHORIZED SERVICE DEPOT.

Warranty Service
Carry-In

Danby Products Limited
PO Box 1778, Guelph, Ontario, Canada N1H 6Z9
Telephone: (519) 837-0920 FAX: (519) 837-0449

1-800-263-2629

Danby Products Inc
PO Box 669, Findlay, Ohio, U.S.A. 45840
Telephone: (419) 425-8627 FAX: (419) 425-8629

04/09

Bienvenue

Bienvenue dans la famille de produits Danby. Nous sommes fiers de nos produits de qualité et nous croyons en un service fiable. Vous le constaterez à ce guide pratique et su ton amical de notre personnel du service à la clientèle.

Mieux encoure, vous constaterez la qualité de nos produits et leur fiabilité à chaque utilisation de votre four à micro-ondes. C'est important: votre nouveau four à micro-ondes fera longtemps partie de votre famille.

Número de Modelo: _____

Número de Serie: _____

Fecha de la compra: _____

Necesita Ayuda

Antes de solicitar servicio, hay algunas cosas que puede hacer para ayudarnos a servirle mejor...

Lea este manual:

Contiene instrucciones que lo ayudarán a mantener correctamente su unidad

Si usted recibe un artefacto dañado:

Llame inmediatamente al distribuidor (o constructor) que se lo vendió.

Ahorre tiempo y dinero:

Lea la sección de Diagnóstico de Problemas antes de llamar. Esta sección le ayudará a resolver problemas comunes que pudieran ocurrir. Si necesita asistencia, no se preocupe y llámenos.



Tel: 1-800-26-**Danby**
(1-800-263-2629)



Information De Securite Importantes

LISEZ TOUTES LES CONSIGNES DE SÉCURITÉ AVANT L'UTILISATION

DÉCLARATION QUANT AUX INTERFÉRENCES DE FRÉQUENCE RADIO DE LA COMMISSION FÉDÉRALE DES COMMUNICATIONS (É.-U. SEULEMENT)

Cet équipement génère et utilise des fréquences sur bande ISM. S'il n'est pas installé et utilisé correctement, c'est-à-dire selon les directives du fabricant, ces fréquences peuvent entraîner des interférences dans les réceptions radiophoniques et télévisuelles. Cet équipement a été mis à l'essai et déclaré conforme aux limitations de l'équipement ISM énoncées à l'article 18 de la réglementation de la Commission, dont le but est d'offrir une protection raisonnable contre de telles interférences dans les installations résidentielles.

Il n'existe cependant aucune garantie que des interférences ne surviendront pas dans des installations particulières. Si cet équipement entraîne des interférences dans les réceptions radiophonique et télévisuelle, ce qui peut être déterminé en allumant et en éteignant l'équipement, l'utilisateur devrait tenter de corriger l'interférence en posant un ou plusieurs des gestes suivants :

- Réorienter l'antenne réceptrice de la radio ou de la télévision;
- Déplacer le four à micro-ondes par rapport au récepteur;
- Éloigner le four à micro-ondes du récepteur;
- Brancher le four à micro-ondes dans une prise différente afin qu'il ne se trouve pas sur le même circuit que le récepteur.

Le fabricant n'est pas responsable des interférences radiophoniques ou télévisuelles causées par une **MODIFICATION NON AUTORISÉE** à ce four à micro-ondes. L'utilisateur est responsable de la correction de telles interférences.

PRÉCAUTIONS À PRENDRE AFIN D'ÉVITER UNE EXPOSITION EXCESSIVE À L'ÉNERGIE MICRO-ONDE

Afin d'assurer votre sécurité, les consignes de ce guide doivent être suivies afin de réduire les risques d'incendie ou d'explosion, de dommages à la propriété, de blessure ou de décès.

Ne faites pas fonctionner ce four la porte ouverte : un tel fonctionnement peut entraîner une exposition dangereuse à l'énergie micro-onde. Il est important de ne pas contourner ou altérer le verrouillage de sécurité.

Ne déposez pas d'objet entre la face du four et la porte. Ne laissez pas la saleté ou les résidus de produits nettoyants s'accumuler sur les surfaces d'étanchéité.

Ne faites pas fonctionner le four s'il est endommagé. Il est très important que la porte du four se ferme bien et que les éléments suivants ne soient pas endommagés :

- 1 porte (courbée);
- 2 charnières et loquets (brisés ou lâches);
- 3 surface d'étanchéité et porte étanche.

Le four doit être réglé ou réparé par un technicien qualifié.

CONSERVEZ CES INSTRUCTIONS!



Information De Securite Importantes

LISEZ TOUTES LES CONSIGNES DE SÉCURITÉ AVANT L'UTILISATION

AVERTISSEMENT

Afin de reduire le risque d'incendie, brulure, choc electrique, blessure ou exposition excessive a l'energie micro-onde pendant l'utilisation de votre appareil, prenez des precautions de base, incluant celles énoncées dans les sections qui suivent.

- Lisez et respectez les «Précautions à prendre afin d'éviter une exposition excessive à l'énergie micro-onde», à la page 17.
- Cet appareil doit être mis à la terre. Ne le branchez que sur une prise correctement mise à la terre. Consultez la section « Directives de mise à la terre », à la page 21.
- N'utilisez pas cet appareil si son cordon ou sa fiche d'alimentation sont endommagés, s'il ne fonctionne pas correctement ou s'il a été échappé ou endommagé.
- Ne couvrez ni ne bloquez aucune ouverture de l'appareil.
- Utilisez cet appareil à ce pour quoi il a été conçu, tel que décrit dans ce guide. N'utilisez pas de vapeurs ou de produits chimiques corrosifs dans cet appareil.
- Ce four à micro-ondes est spécialement conçu pour chauffer, sécher ou cuire des aliments. Il n'est pas conçu pour une utilisation industrielle ou en laboratoire.
- Certains produits tels les œufs entiers et les contenants hermétiques tels les pots de verre fermés peuvent exploser et ne devraient pas être chauffés dans ce four.
- Ne rangez pas cet appareil à l'extérieur.
- N'utilisez pas ce produit près d'une source d'eau, tel un sous-sol humide, une piscine ou un évier.
- Éloignez le cordon d'alimentation de toute surface chauffée.
- N'immergez pas le cordon d'alimentation ou la fiche.
- Consultez les directives de nettoyage de la surface de la porte aux sections «Entretien et nettoyage» de ce guide.
- Toute réparation doit être effectuée par un personnel qualifié seulement. Contactez le centre de service autorisé le plus près pour vérification, réparation ou réglage.
- Comme c'est le cas de tout appareil, une surveillance étroite est nécessaire lors de l'utilisation par des enfants.

Pour réduire le risque d'incendie dans l'enceinte du four :

- Ne cuisez pas trop les aliments.
- Surveillez étroitement l'appareil pendant la cuisson si du papier, plastique ou autre matériau combustible sont placés dans le four.
- Retirez les attaches et les poignées métalliques des contenants de plastique avant de les placer dans le four.
- N'utilisez pas le four comme espace de rangement. Ne laissez pas de papier, ustensiles ou aliments dans le four lorsqu'il n'est pas utilisé.
- N'utilisez pas le four pour sécher les journaux.
- Si des matériaux devaient s'enflammer dans le four, laissez la porte du four fermée, éteignez le four et débranchez l'alimentation au niveau de la fusible ou du disjoncteur. Le feu risque de se propager si la porte est ouverte.

CONSERVEZ CES INSTRUCTIONS!



Information De Securite Importantes

REMARQUES PARTICULIÈRES CONCERNANT LA CUISSON MICRO-ONDE

FORMATION D'ÉTINCELLES

Si vous voyez des étincelles, appuyez sur le bouton ARRÊT/ANNULER et corrigez le problème.

« Arcing » est le terme des micro-ondes pour décrire la formation d'étincelles dans le four. La formation d'étincelle est causée par :

- Du métal ou du papier d'aluminium en contact avec la paroi du four;
- Du papier d'aluminium non moulé autour des aliments (les arêtes pointant vers le haut agissent comme des antennes);
- Du métal, tel des attaches métalliques, des broches de volaille ou de la vaisselle cordonnée d'or dans le four à micro-ondes;
- Essuie-tout recyclé contenant de petits morceaux de métal dans le four à micro-ondes.

ALIMENTS

- Le maïs soufflé ne doit être cuit dans votre four à micro-ondes qu'à l'aide d'un accessoire de cuisson spécialement conçu à cet effet, à moins que vous n'utilisiez du maïs soufflé identifié pour l'utilisation au four à micro-ondes.
- Certains produits, tels les œufs entiers (dans leur coquille), les contenants hermétiques et les pots de verre fermés, peuvent exploser et ne devraient pas être chauffés dans ce four à micro-ondes.
- Ne faites pas bouillir des œufs au four à micro-ondes. La pression s'accumulera dans le jaune d'œuf et le fera exploser, entraînant potentiellement des blessures.
- Faire fonctionner le four à micro-ondes sans aliment à l'intérieur l'endommager et causer un incendie. La chaleur autour du magnétron augmente et peut réduire la durée de vie du four.
- Les aliments dotés d'une «peau» fermée tels les pommes de terre, saucisses, tomates, pommes, foie de poulet ou autres abattis et les jaunes d'œuf doivent être piqués avant la cuisson afin de permettre que la vapeur s'en échappe.

DONNEES DE SÉCURITÉ: EAU SURCHAUFFÉE

L'eau et les autres liquides ne font pas toujours de bulles lorsqu'ils atteignent le point d'ébullition au four à micro-ondes. Ils peuvent en fait surchauffer sans faire une seule bulle. Le liquide surchauffé peut faire des bulles lorsqu'il est déplacé ou que quelque chose y est déposé, telle une cuiller ou un sachet de thé. Afin d'éviter cette situation pouvant entraîner des blessures, ne chauffez aucun liquide pendant plus de 2 minutes par tasse. Une fois le liquide chauffé, laissez reposer la tasse pendant 30 secondes dans le four à micro-ondes avant de la déplacer ou d'y déposer quoi que ce soit.

- Évitez de chauffer de la nourriture pour bébé dans des pots de verre, même sans le couvercle. Assurez-vous que la nourriture pour bébé est entièrement cuite.

Mélangez les aliments afin de répartir la chaleur également. Prenez soin de ne pas vous ébouillanter lorsque vous chauffez du lait maternisé. Le contenant peut sembler plus froid que le lait ne l'est en réalité.

Vérifiez toujours la température du lait avant de nourrir le bébé.

- Ébullition spontanée – Dans certains cas, un liquide peut commencer à bouillir pendant qu'on le retire du four à micro-ondes ou immédiatement après. Afin d'éviter les blessures causées par un éclaboussement, nous vous recommandons de laisser le contenant reposer entre 30 et 40 secondes dans le four éteint avant de l'en retirer. Ne faites pas bouillir de liquide dans des contenants à col mince tels les bouteilles de boissons gazeuses, les flacons de vinet surtout les tasses à café étroites. Même si le contenant est ouvert, de la vapeur peut s'accumuler en excès et entraîner une explosion ou un débordement.



Information De Securite Importantes

REMARQUES PARTICULIÈRES CONCERNANT LA CUISSON MICRO-ONDE

DONNEES DE SÉCURITÉ: EAU SURCHAUFFÉE (Suite)

- Ne faites pas décongeler de boissons surgelées dans des bouteilles étroites (surtout les boissons gazeuses). Même si le contenant est ouvert, de la pression peut s'accumuler. Le contenant pourrait exploser, entraînant des blessures.
- La vapeur et les aliments chauds peuvent entraîner des brûlures. Soyez prudent lorsque vous ouvrez des contenants d'aliments chauds, y compris les sacs de maïs soufflé, les pochettes de cuisson et les boîtes. Afin d'éviter les blessures, dirigez la vapeur loin des mains et du visage.
- Ne cuisez pas trop les pommes de terre. Elles pourraient se déshydrater et s'enflammer, endommageant votre four.
- Cuisez entièrement la viande et la volaille : la viande doit avoir une température INTERNE d'au moins 71,1°C (160°F) et la volaille 82,2°C (180°F). La cuisson à ces températures prévient habituellement les maladies alimentaires.

USTENSILES DE CUISSON POUR MICROONDES

Assurez-vous que tous les ustensiles utilisés dans votre four à micro-ondes conviennent à ce type de cuisson. La plupart des casseroles de verre, plats de cuisson, tasses à mesurer, ramequins, poteries ou porcelaines sans bordure métallique ou enduit métallique peuvent être utilisés. Certains ustensiles de cuisson sont identifiés «sûr pour la cuisson aux micro-ondes».

- Si vous utilisez un thermomètre à viande durant la cuisson, assurez-vous qu'il convient aux fours au micro-ondes.
- N'utilisez pas de produits de papier recyclé. Les essuie-tout, serviettes de table et papier ciré recyclés peuvent contenir des particules métalliques pouvant causer la formation d'étincelles ou de flammes. Les produits de papier contenant du nylon ou des fils de nylon devraient être évités: eux aussi peuvent s'enflammer.
- Tous les emballages de plastique ne conviennent pas aux fours à micro-ondes. Vérifiez l'emballage pour une utilisation adéquate.
- Le fond de certains plateaux de polystyrène, tels les emballages de viande, comporte une fine couche de métal. Lorsque cuit aux micro-ondes, le métal peut brûler le plancher du four ou enflammer un essuie-tout.
- La chaleur des aliments chauffés peut se transférer sur l'ustensile de cuisson. Vous aurez peut-être besoin de poignées pour manipuler l'ustensile.
- Les pochettes de cuisson «à bouillir» et les sacs de plastique hermétiquement fermés devraient être fendus, percés ou aérés, tel qu'indiqué sur leur emballage. Sans quoi, le plastique pourrait exploser pendant la cuisson ou immédiatement après, entraînant des blessures. En outre, les plats de rangement de plastique devraient être partiellement découverts afin d'éviter qu'ils ne forment une fermeture hermétique. Lors de la cuisson, les plats couverts hermétiquement à l'aide de pellicule plastique, soyez prudent en retirant la pellicule et dirigez la vapeur loin des mains et du visage.
- Les essuie-tout, le papier ciré et la pellicule plastique peuvent être utilisés pour couvrir les plats afin de retenir l'humidité et d'éviter les éclaboussures. Assurez-vous d'aérer la pellicule plastique afin que la vapeur puisse s'échapper.

Comment déterminer si un plat convient au micro-ondes :

- 1) Placez le plat à vérifier et une tasse à mesurer de verre remplie d'une tasse d'eau dans le four.
- 2) Placez la tasse à mesurer dans le plat ou à côté.
- 3) Faites cuire aux micro-ondes pendant une minute à puissance élevée. Si le plat chauffe, il ne devrait pas être utilisé pour la cuisson aux micro-ondes. Si le plat demeure froid et que seule l'eau dans la tasse chauffe, le plat convient aux micro-ondes.



Information De Securite Importantes

REMARQUES PARTICULIÈRES CONCERNANT LA CUISSON MICRO-ONDE

USTENSILES DE CUISSON POUR MICROONDES (suite)

- N'utilisez le papier d'aluminium que de la façon décrite dans ce guide. Les plateaux télé peuvent être cuits au micro-ondes dans des plateaux d'aluminium de moins de 3/4 po. Retirez le couvercle supérieur et remettez le plateau dans la boîte. Lorsque vous utilisez du papier d'aluminium dans le four à micro-ondes, gardez une distance d'au moins 1 pouce entre le papier et les parois du four.
- Les ustensiles de cuisson de plastique conçus pour les microondes sont très pratiques, mais doivent être utilisés avec prudence. Même les plastiques conçus pour les micro-ondes peuvent ne pas résister à la surcuisson aussi bien que le verre ou la céramique : ils peuvent ramollir ou carboniser lorsque soumis à de courtes périodes de surcuisson. Les aliments et l'ustensile peuvent même s'enflammer sur une longue période de surcuisson.

Suivez les lignes directrices suivantes:

- 1) Utilisez des ustensiles de plastique conçus pour les microondes seulement et suivez attentivement les recommandations du fabricant.
- 2) **Ne cuisez pas** de contenant vide aux micro-ondes.
- 3) **Ne laissez pas** les enfants utiliser d'ustensile de plastique sans surveillance étroite.

INSTRUCTIONS DE MISE À LA TERRE

AVERTISSEMENT

Une utilisation inadéquate de la prise de mise à la terre peut causer des chocs électriques.

- Cet appareil doit être mis à la terre. Dans le cas d'un court-circuit électrique, la mise à la terre réduit le risque de choc électrique en offrant une sortie au courant électrique.
- Cet appareil est doté d'un cordon d'alimentation avec fiche bipolaire avec terre. La fiche doit être branchée dans une prise correctement installée et mise à la terre. Consultez un électricien qualifié ou un technicien d'entretien si les directives de mise à la terre ne sont pas entièrement comprises, ou si un doute subsiste quant à la mise à la terre appropriée de l'appareil.
- Si la prise est une prise standard à deux fiches, il est de votre responsabilité et devoir de la faire remplacer par une prise à trois fentes avec terre.
- Ne coupez pas et ne retirez pas la troisième lame (mise à la terre) du cordon d'alimentation, peu importe les circonstances. N'utilisez pas d'adaptateur de fiche avec cet appareil.
- N'utilisez pas de rallonge avec cet appareil. Si le cordon d'alimentation est trop court, faites installer une prise près de l'appareil par un électricien qualifié ou un technicien d'entretien. Pour un meilleur fonctionnement, branchez cet appareil dans une prise à lui seul afin d'éviter le scintillement des lumières, le grillage d'un fusible ou un arrêt du disjoncteur.



Guide d'Installation

- 1) S'assurer que tous matériels emballant sont enlevés de l'intérieur du four de micro-onde.
- 2) Vérifier la micro-onde pour n'importe quels dommages, comme la porte courbée, endommagé les cachets de porte et sceller la surface, les gonds de porte cassée ou détachées et les loquets, et cabosse à l'intérieur ou sur la porte. S'il y a n'importe quels dommages, ne pas fonctionner le four mais contactez un personnel de service qualifié.
- 3) Ce four de micro-onde doit être placé sur une surface plate et stable pour tenir son poids.
- 4) Ne pas placer le four de micro-onde où la chaleur, l'humidité, ou l'haute humidité est produit, ou près des matériels combustibles.
- 5) Pour l'opération correcte, le four de micro-onde doit avoir du flux d'air suffisant. Permettre 30 cm d'espace au-dessus du four de micro-onde, 10 cm à de retour et 7.5 cm aux deux côtés. Ne pas couvrir ou bloquer des ouvertures sur l'appareil. Ne pas enlever les pieds sur lesquels le four de micro-onde se tient.
- 6) Ne pas fonctionner le four sans le plateau de verre, le soutien de cylindre, et les arbres dans leurs positions correctes.
- 7) S'assurer que la corde d'alimentation est intacte et ne court pas sous le four de micro-onde ou sur les surfaces chaudes ou tranchantes.
- 8) La douille doit être facilement accessible pour qu'il peut être facilement débranché dans une urgence.

INSTRUCTIONS DE CORDE

DANGER

Risque de Décharge Électrique. Toucher certains des composants internes peuvent causer la blessure ou la mort personnelles sérieuses. Ne pas démonter cet appareil.

AVERTISSEMENT

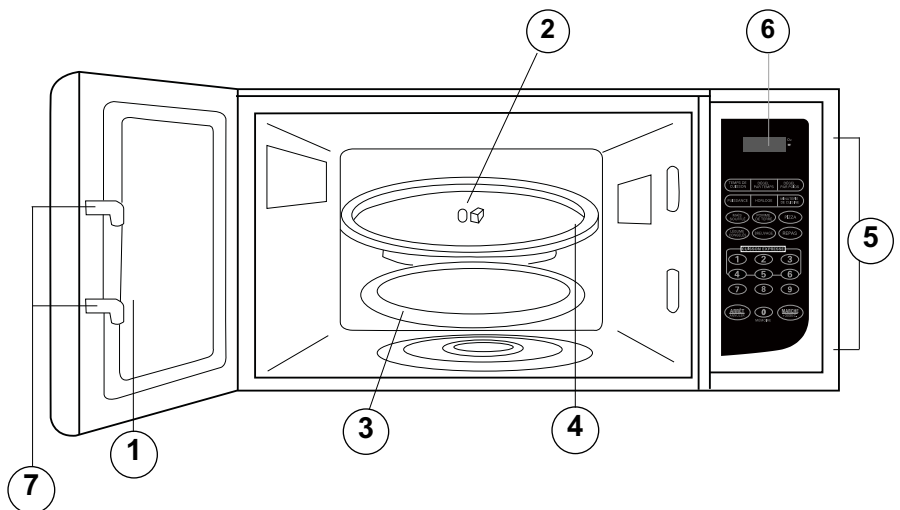
Risque de Décharge Électrique. La mise à la terre déplacée peut avoir pour résultat de la risque de décharge électrique. Ne pas connecter à un source d'énergie jusqu'à ce que l'appareil est convenablement installé et mise à la terre.



Fonctionnement

CARACTÉRISTIQUES

- 1) **Vitre du four:** Elle permet de voir la cuisson tout en conservant l'énergie confinée à l'intérieur du four.
- 2) **Axe du plateau tournant.**
- 3) **Anneau de roulement.**
- 4) **Plateau tournant en verre amovible:** Le plateau tournant et le support doivent être mis en place lorsque vous utilisez le four. Le plateau tournant peut être retiré pour le nettoyage.
- 5) **Panneau de commande.**
- 6) **Affichage électronique.**
- 7) **Système de verrouillage de sécurité**





Fonctionnement

COMMANDES

1) TEMPS DE CUISSON

2) DURÉE DE DÉCONGÉLATION

3) PUISSANCE

4) HORLOGE

5) **MENU AUTOMATIQUE:** Maïs à éclater, Pommes de terre, Pizza, Légumes congelés, Breuvage, Assiette de souper

6) BOUTONS NUMÉROTÉS

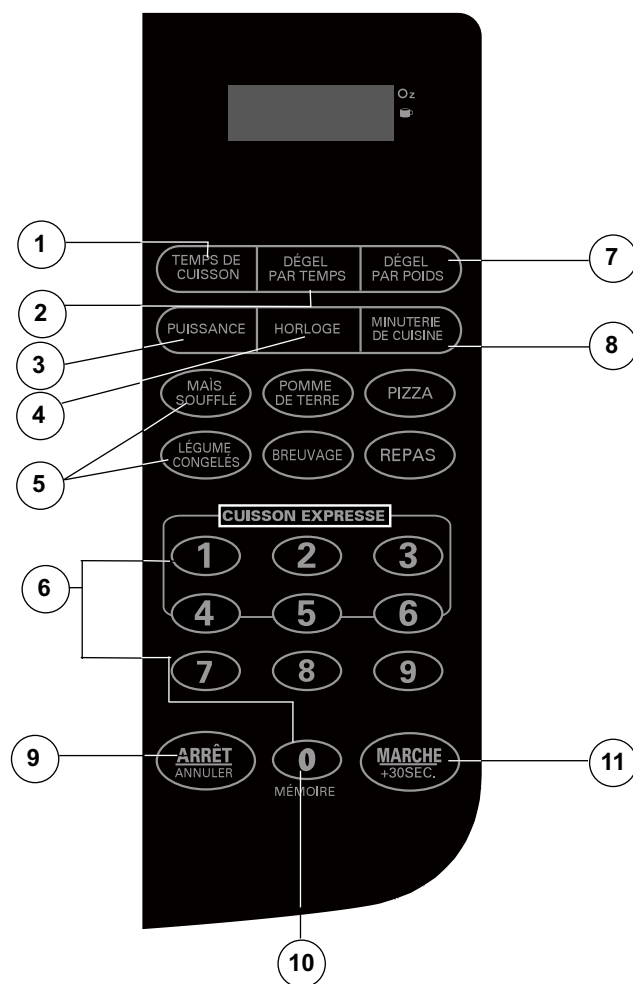
7) POIDS À DÉCONGELER

8) MINUTERIE DE LA CUISINE

9) **Arrêter / Annuler:** Efface tous les paramètres précédemment configurés avant de débuter la cuisson. Durée de cuisson: Appuyez une fois pour arrêter le four, appuyez deux fois pour effacer tous les paramètres.

10) MEMOIRE

11) DÉMARRER/+30 SEC.



NIVEAUX DE PUISSANCE

11 niveaux de puissance sont disponibles:

Niveau	10	9	8	7	6	5	4	3	2	1	0
Puissance	100%	90%	80%	70%	60%	50%	40%	30%	20%	10%	0%
Affichage	PL10	PL9	PL8	PL7	PL6	PL5	PL4	PL3	PL2	PL1	PL0

RÉGLAGE DE L'HORLOGE

- 1) Appuyez sur la touche « **HORLOGE** ».
- 2) Appuyez sur les chiffres pour saisir l'heure courante. Par exemple, pour configurer 10 h 12, appuyez sur « 1, 0, 1, 2 » consécutivement.
- 3) Appuyez sur « **HORLOGE** » pour terminer le réglage de l'horloge.
- 4) Si l'entrée chiffres ne sont pas dans la fourchette de 1 à 12:59, le réglage sera invalide jusqu'à ce que des numéros valides sont entrés.

NOTE:

- 1) Dans le processus de réglage de l'horloge si la touche **Arrêter / Annuler** bouton est pressé ou si aucune opération n'est effectuée pendant 1 minute, le four revient à la configuration précédente
- 2) Si la nécessité d'horloge pour être remis à zéro, s'il vous plaît répétez l'étape 1 à l'étape 3



Fonctionnement

RÉGLAGE DE LA MINUTERIE

- 1) Appuyez sur la touche « **MINUTERIE DE LA CUISINE** ».
- 2) Appuyez sur les chiffres pour saisir la durée de minuterie (la durée maximale de cuisson est de 99 minutes et 99 secondes).
- 3) Appuyez sur la touche « **DÉMARRER/+30 SEC** » pour confirmer le paramétrage.
- 4) Lorsque le temps de minuterie arrive, le buzzer sonne 5 fois. Si l'horloge est réglée, il affiche l'heure actuelle.

REMARQUES

Le temps de la cuisine est différent du système de 12 heures, Cuisine Timer est une minuterie.

CUISSON AU FOUR À MICRO-ONDES

- 1) Appuyez sur «TEMPS DE CUISSON" une fois, la LED affiche "00:00".
- 2) Appuyez sur les touches numériques pour saisir la durée de cuisson souhaitée; la durée maximale de cuisson est de 99 minutes et 99 secondes.
- 3) Appuyez sur "Puissance" une fois, LED affichera "PL10". La puissance par défaut est de 100%. Maintenant, vous pouvez appuyer sur les touches numériques pour régler le niveau de puissance.
- 4) Appuyez sur la touche « DÉMARRER/+30 SEC. » pour commencer la cuisson;

EXEMPLE:

Pour cuire les aliments avec 50% de puissance micro-ondes dans pendant 15 minutes

- a. Appuyez sur «temps de cuisson" une fois, la LED affiche "00:00".
- b. Appuyez sur "1", "5", "0", "0" dans l'ordre.
- c. Appuyez sur "PUISSANCE" une fois, puis appuyez sur "5" pour sélectionner 50% de puissance micro-ondes.
- d. Appuyez sur "DÉMARRER/+30 SEC." pour commencer la cuisson.



REMARQUE :

- 1) lors de la réglage, si l'on appuie sur le bouton « Arrêter / Annuler » ou si rien ne s'est passé au bout d'une minute, le four revient automatiquement à son réglage précédent.
- 2) Si "PL0" est sélectionné, le four fonctionne avec un ventilateur pour aucun pouvoir. Vous pouvez utiliser ce niveau pour enlever l'odeur du four.
- 3) Pendant la cuisson micro-ondes, "PUISSANCE" peut être pressé pour changer la puissance dont vous avez besoin. Après avoir appuyé sur le «PUISSANCE» clignote pendant 3 secondes, vous pouvez maintenant appuyer sur la touche numérique pour passer la puissance. La puissance microondes ouvres choisies pour le reste du temps.

CUISSON À DÉMARRAGE RAPIDE

- 1) La cuisson instantanée (à partir du mode veille) au niveau de puissance 100 % peut être démarrée en choisissant une durée de cuisson entre 1 et 6 minutes, en appuyant sur les touches numériques 1 à 6. Appuyez sur « **DÉMARRER /+ 30 SEC.** » pour augmenter la durée de cuisson; la durée de cuisson maximale est de 99 minutes et 99 secondes.
- 2) La cuisson instantanée au niveau de puissance 100 % pendant une durée de 30 secondes peut être commencée en appuyant sur la touche « **DÉMARRER /+ 30 SEC.** ». Chaque pression sur cette touche augmente la durée par incréments de 30 secondes (jusqu'à un maximum de 99 minutes, 99 secondes).

REMARQUE : au cours de la cuisson au four à micro-ondes et pendant la durée de décongélation, on peut prolonger la durée en appuyant sur «**DÉMARRER /+ 30 SEC.** ».



Fonctionnement

POIDS A DECONGELER

- 1) Appuyez sur la touche « **POIDS À DÉCONGELER** »; l'afficheur à DEL affichera « **DEF1** »
- 2) Appuyez sur les boutons numérotés pour saisir le poids de décongélation. Le poids accepté est compris entre 4 et 100 oz. Si la durée saisie ne se situe pas dans cette fourchette, aucun « bip » ne sera émis et le four à micro-ondes ne fonctionnera pas tant qu'une durée valable n'aura pas été saisie.
- 3) Appuyez sur la touche « **DÉMARRER/+ 30 SEC.** » pour commencer la décongélation.



DURÉE DE DÉCONGÉLATION

- 1) Appuyez sur la touche « **DURÉE DE DÉCONGÉLATION** »; l'afficheur à DEL affichera « **DEF2** »
- 2) Appuyez sur les touches numériques pour saisir la durée de décongélation. La plage de temps acceptée est entre **00 m 01 et 99 m 99**; si la durée saisie ne se situe pas dans cette fourchette, aucun « bip » ne sera émis et le four à micro-ondes ne fonctionnera pas tant qu'une durée valable n'aura pas été saisie.
- 3) Le niveau de puissance par défaut du four à micro-ondes est le niveau 3. Si vous souhaitez changer le niveau de puissance, appuyez une fois sur la touche « **PUISSANCE** » et l'afficheur à DEL affichera « **PL3** »; appuyez alors sur le chiffre correspondant au niveau de puissance souhaité.
- 4) Appuyez sur la touche « **DÉMARRER/+30 SEC.** » pour commencer la décongélation et la durée restante s'affichera;



MAÏS À ÉCLATER

- 1) Appuyez sur "MAIS SOUFFLE" jusqu'à ce que le numéro que vous désirez s'affiche à l'écran, "1,75", "3,0", "3,5" Oz affiche dans l'ordre. **Par exemple, appuyez sur "Maïs à éclater" une fois, "1,75" apparaît.**

- 2) Appuyez sur la touche « **DÉMARRER/+30 SEC.** » pour commencer la cuisson; Lorsque la cuisson est terminée, la sonnerie se fait entendre à 5 reprises et retourner à l'état d'attente.



POMMES DE TERRE

- 1) Appuyez à plusieurs reprises sur la touche « **POMMES DE TERRE** » jusqu'à ce que le chiffre souhaité apparaisse sur l'afficheur; «1», «2» et «3» s'affichent alors consécutivement.

« **1** » : pour la cuisson d'une pomme de terre (environ 230 grammes).
 « **2** » : pour la cuisson de deux pommes de terre (environ 460 grammes).
 « **3** » : pour la cuisson de trois pommes de terre (environ 690 grammes).
Par exemple, appuyez une fois sur « POMMES DE TERRE » pour afficher « 1 ».

- 2) Appuyez sur la touche « **DÉMARRER/+30 SEC.** » pour commencer la cuisson; Lorsque la cuisson est terminée, la sonnerie se fait entendre à 5 reprises et retourner à l'état d'attente.





Fonctionnement

LÉGUMES CONGELÉS

- 1) Appuyez à plusieurs reprises sur la touche « **LÉGUMES CONGELÉS** » jusqu'à ce que la valeur souhaitée apparaisse sur l'afficheur; « 4.0 », « 8,0 » et « 16.0 » s'affichent alors consécutivement. Par exemple, appuyez une fois sur « **LÉGUMES CONGELÉS** » et « 4.0 » s'affiche.
- 2) Appuyez sur la touche « DÉMARRER/+30 SEC. » pour commencer la cuisson; Lorsque la cuisson est terminée, la sonnerie se fait entendre à 5 reprises et retourner à l'état d'attente.



BOISSON

- 1) Appuyez à plusieurs reprises sur la touche « **BOISSON** » jusqu'à ce que le chiffre souhaité apparaisse sur l'afficheur; « 1 », « 2 » et « 3 » s'affichent alors consécutivement. Une tasse correspond environ à 120 mL. Par exemple, pour réchauffer une boisson, appuyez une fois sur la touche « **BOISSON** » et « 1 » s'affiche.
- 2) Appuyez sur la touche « DÉMARRER/+30 SEC. » pour commencer la cuisson; Lorsque la cuisson est terminée, la sonnerie se fait entendre à 5 reprises et retourner à l'état d'attente.



ASSIETTE DE SOUPER

- 1) Appuyez à plusieurs reprises sur la touche « **ASSIETTE DE SOUPER** » jusqu'à ce que la valeur souhaitée s'affiche sur l'afficheur; « 9.0 », « 12.0 » et « 18.0 » (onces) s'affichent alors consécutivement. Par exemple, pour réchauffer 9 onces de nourriture, appuyez une fois sur la touche « **ASSIETTE DE SOUPER** » et « 9.0 » s'affiche.
- 2) Appuyez sur la touche « DÉMARRER/+30 SEC. » pour commencer la cuisson; Lorsque la cuisson est terminée, la sonnerie se fait entendre à 5 reprises et retourner à l'état d'attente.



PIZZA

- 1) Appuyez à plusieurs reprises sur la touche « **PIZZA** » jusqu'à ce que la valeur souhaitée s'affiche sur l'afficheur; « 4.0 », « 8.0 » et « 14.0 » (onces) s'affichent alors consécutivement.
- 2) Appuyez sur la touche « DÉMARRER/+30 SEC.» pour commencer la cuisson; Lorsque la cuisson est terminée, la sonnerie se fait entendre à 5 reprises et retourner à l'état d'attente.



FONCTION DE MÉMOIRE

- 1) Appuyez sur la touche « **0 / MÉMOIRE** » pour choisir la procédure mémorisée 1 à 3. L'écran à DEL affichera consécutivement **1, 2, 3**.
- 2) Si la procédure est réglée, appuyez sur la touche « **DÉMARRER/+30 SEC.** » pour l'utiliser. Dans la négative, continuez à régler la procédure (seulement une ou deux étapes peuvent être réglées).
- 3) **Pour régler la procédure:**
 - a) Par exemple, pour faire cuire des aliments à une puissance de 80 % pendant 3 minutes et 20 secondes dans la mémoire 2 : à partir du mode veille, appuyez à deux reprises sur la touche « **0 / MÉMOIRE** », jusqu'à ce que « 2 » apparaisse sur l'afficheur.
 - b) Appuyez sur « **TEMPS DE CUISSON** » une fois, puis appuyez sur "3", "2", "0" dans l'ordre.
 - c) Appuyez une fois sur le « **PUISSANCE** », « PL10 » s'affiche, puis appuyez sur « 8 » et « PL8 » s'affiche.
 - d) Appuyez sur « **DEMARRAR / +30 sec** » pour sauvegarder cette valeur. La sonnerie se fait entendre une fois, puis le four à micro-ondes retourne au mode veille. Si vous appuyez sur « **DÉMARRER/+30 SEC.** » après l'étape suivante, la procédure sera sauvegardée dans la mémoire 2 et déclenchée.



Fonctionnement

FONCTION DE MÉMOIRE (suite)

- e) en cas de panne de courant, vous devrez régler à nouveau toutes vos fonctions de mémoire. Autrement, les procédures sont sauvegardées.
- f) Si vous voulez exécuter la procédure sauvegardée à partir du mode veille, appuyez à deux reprises sur la touche « 0 / MÉMOIRE » et l'afficheur affichera « 2 »; appuyez ensuite sur « DÉMARRER/+30 SEC. » pour lancer la programmation.

CUISSON EN PLUSIEURS ÉTAPES

Deux étapes peuvent être réglées lors de la cuisson en plusieurs étapes. Lors de la cuisson en plusieurs étapes, s'il y a une étape de décongélation, il s'agira automatiquement de la première étape. À la fin de la première étape, un signal sonore sera émis et la cuisson de l'étape suivante commencera.

EXEMPLE: si vous voulez effectuer une cuisson à une puissance de 80 % pendant 5 minutes puis à une puissance de 60 % pendant 10 minutes:


- 1) Appuyez "**TEMPS DE CUISSON**" puis sur les touches numériques « 5 », « 0 », « 0 » pour régler la durée de cuisson de 5 minutes.
- 2) Appuyez sur "**PUISSANCE**" une fois, puis appuyez sur "8" pour choisir 80% de puissance micro-ondes.
- 3) Appuyez sur «**TEMPS DE CUISSON**» une fois, puis appuyez sur "1", "0", "0", "0" pour régler le temps de cuisson.
- 4) Appuyez sur "**PUISSANCE**" une fois, puis appuyez sur «6» pour sélectionner 60% de puissance micro-ondes.
- 5) Appuyez sur "**DÉMARRER/+30 SEC**" pour commencer la cuisson.

DEMANDE

Pendant le fonctionnement du four, appuyez sur « HORLOGE »; la DEL affiche alors l'horloge pendant trois secondes.

Appuyez sur « **PUISSANCE** » pour connaître la puissance de cuisson de votre four; la puissance actuelle du four s'affiche alors. Après trois secondes, l'affichage revient au mode d'affichage de la durée de cuisson restante. **REMARQUE:** En mode multi-étapes, vous pouvez déterminer le niveau de puissance en respectant les étapes suivantes.

CONFIGURATION DU MODE DE VERROUILLAGE-SÉCURITÉ

POUR VERROUILLER LE FOUR : Lorsque le four ne fonctionne pas, appuyez pendant trois secondes sur la touche « **ARRÊT/ANNULER** », vous entendez alors un long bip sonore, indiquant que le four est en mode verrouillage pour la sécurité des enfants. 

POUR DÉVERROUILLER LE FOUR : Lorsque le four est en mode Verrouillage, appuyez pendant trois secondes sur la touche « **ARRÊT/ANNULER** »; vous entendez alors un long bip sonore vous indiquant que le four est alors en mode de fonctionnement.



Soins et Entretien

- 1) Éteignez le four et retirez la fiche de courant de la prise murale avant de nettoyer celui-ci.
- 2) Conservez l'intérieur du four propre. Lorsque la nourriture éclabousse ou coule sur les parois du four, essuyez avec un chiffon humide. On peut utiliser un détergent doux si le four est très sale. Évitez d'utiliser un vaporisateur ou tout autre type de nettoyant agressif car ils pourraient tacher, laisser des traces ou ternir la surface de la porte.
- 3) Les surfaces extérieures doivent être nettoyées à l'aide d'un chiffon humide. Pour éviter d'endommager les pièces à l'intérieur du four, ne laissez pas de l'eau pénétrer dans les ouvertures de ventilation.
- 4) Essuyez les deux faces du hublot à l'aide d'un chiffon humide pour éliminer tout liquide déversé ou toute éclaboussure.
- 5) Évitez d'asperger d'eau le panneau de commande. Nettoyez avec un chiffon humide, doux. Lorsque vous nettoyez le panneau de commande, laissez la porte ouverte pour éviter la mise en marche accidentelle du four.
- 6) Lorsque la vapeur s'accumule à l'intérieur de la porte du four ou sur le pourtour extérieur, essuyez celle-ci à l'aide d'un chiffon doux. Ceci peut arriver lorsque le four à micro-ondes fonctionne dans un environnement très humide; ceci est normal.
- 7) Il est à l'occasion nécessaire de retirer le plateau tournant en verre pour le nettoyer. Nettoyez le plateau dans de l'eau tiède et savonneuse ou dans un lave-vaisselle.
- 8) L'anneau qui assure la rotation du plateau et la partie inférieure du four devraient être nettoyés régulièrement afin d'éviter qu'ils fassent trop de bruit. Nettoyez simplement la surface inférieure du four avec un détergent doux. On peut laver l'anneau à l'eau tiède savonneuse ou dans un lave-vaisselle. Veillez à remettre l'anneau à sa place lorsque vous le retirez du four pour le nettoyer.
- 9) Pour éliminer les odeurs de votre four, mélangez une tasse d'eau avec le jus et l'écorce d'un citron dans un bol profond et placez ce bol pendant 5 minutes dans le four. Essuyez-le à fond et séchez à l'aide d'un chiffon doux.
- 10) S'il vous faut remplacer l'ampoule du four, consultez un distributeur qui effectuera la tâche.
- 11) Lorsque vous nettoyez les surfaces de la porte et du four qui sont en contact lorsque vous fermez la porte, utilisez du savon ou du détergent doux, non abrasif et appliquez-le à l'aide d'une éponge ou d'un chiffon doux.



Depannage

En temp de temp, le probleme est mineur et n'exige pas un appel de service. Utilisez ce guide pour trouver des solutions. Si l'appareil ne fonctionne toujours pas, appelez un depot de service autorise ou le numero de telephone sans frais Danby **1-800-263-2629** pour de plus amples renseignements.

PROBLEME	CAUSE PROBABLE	SOLUTION
Le four ne se met pas en marche	<ul style="list-style-type: none">-La porte est ouverte.-La mauvaise option est choisie.	<ul style="list-style-type: none">- Branchez le four dans la prise.- Fermez la porte et essayez de nouveau.- Vérifiez les instructions.
Arcs électriques ou étincelles	<ul style="list-style-type: none">-aliments renversés.	<ul style="list-style-type: none">- Utilisez un plat allant au four à micro-ondes seulement.- Ne faites pas fonctionner le four- Nettoyez la cavité au moyen d'un chiffon humide.
Cuisson inégale des aliments	<ul style="list-style-type: none">-Les aliments n'ont pas été retournés ou remués.	<ul style="list-style-type: none">- Utilisez un plat allant au four à micro-ondes seulement.- Faites complètement décongeler les aliments.- Utilisez la bonne durée de cuisson
Aliments trop cuits	<ul style="list-style-type: none">- ne sont pas appropriées.	<ul style="list-style-type: none">- Utilisez la bonne durée de cuisson et la bonne puissance.
Aliments insuffisamment cuits	<ul style="list-style-type: none">- ne sont pas appropriées.	<ul style="list-style-type: none">- Utilisez un plat allant au four à micro-ondes seulement.- Faites complètement décongeler les aliments.- Assurez-vous que les événements du four à micro-ondes et la bonne puissance.
Décongélation inadéquate	<ul style="list-style-type: none">- Les aliments n'ont pas été retournés ou remués.	<ul style="list-style-type: none">- Utilisez un plat allant au four à micro-ondes seulement.- Utilisez la bonne durée de cuisson- Retournez ou remuez les aliments.



GARANTIE LIMITÉE SUR APPAREIL ÉLECTROMÉNAGER

Cet appareil de qualité est garanti exempt de tout vice de matière première et de fabrication, s'il est utilisé dans les conditions normales recommandées par le fabricant.

Cette garantie n'est offerte qu'à l'acheteur initial de l'appareil vendu par Danby Products Limited (Canada) ou Danby Products Inc. (E.- U. d'A) (ci-après "Danby") ou par l'un des ses distributeurs agréés et elle ne peut être transférée.

CONDITIONS

Les pièces en plastique sont garanties pour trente (30) jours seulement à partir de la date de l'achat, sans aucune prolongation prévue.

Première 12 mois Pendant les douze (12) mois, toutes pièces fonctionnelles de ce produit s'avèrent défectueuses, seront réparées ou remplacées, selon le choix du garant, sans frais à l'acheteur INITIAL.

Pour bénéficier du Service Le client sera responsable pour le transport et tous les frais d'expédition de tout appareil exigeant le service au dépôt de service autorisé le plus proche. S'adresser au détaillant qui a vendu l'appareil, ou à la station technique agréée de service la plus proche, où les réparations doivent être effectuées par un technicien qualifié. Si les réparations sont effectuées par quiconque autre que la station de service agréée où à des fins commerciales, toutes les obligations de Danby en vertu de cette garantie seront annulées.

Cette garantie indique en aucun temps la responsabilité de Danby de l'avarie ou dommage de la vin ou autre contenu, soit par les vices de l'appareil, ou soit par l'utilisation convenable ou inexacte.

EXCLUSIONS

En vertu de la présente, il n'existe aucune autre garantie, condition ou représentation, qu'elle soit exprimée ou tacite, de façon manifeste ou intentionnelle, par Danby ou ses distributeurs agréés. De même, sont exclues toutes les autres garanties, conditions ou représentations, y compris les garanties, conditions ou représentations en vertu de toute loi régissant la vente de produits ou de toute autre législation ou règlement semblables.

En vertu de la présente, Danby ne peut être tenue responsable en cas de blessures corporelles ou des dégâts matériels, y compris à l'appareil, quelle qu'en soit les causes. Danby ne peut pas être tenue responsable des dommages indirects dus au fonctionnement défectueux de l'appareil. En achetant l'appareil, l'acheteur accepte de mettre à couvert et de dégager Danby de toute responsabilité en cas de réclamation pour toute blessure corporelle ou tout dégât matériel causé par cet appareil.

CONDITIONS GÉNÉRALES

La garantie ou assurance ci-dessus ne s'applique pas si les dégâts ou réparations sont dus aux cas suivants:

- 1) Panne de courant.
- 2) Dommages subis pendant le transport ou le déplacement de l'appareil.
- 3) Alimentation électrique incorrecte (tension faible, câblage défectueux, fusibles incorrects).
- 4) Accident, modification, emploi abusif ou incorrect de l'appareil tel qu'une circulation d'air inadéquate dans la pièce ou des conditions de fonctionnement anormales (température extrêmement élevée ou basse).
- 5) Utilisation dans un but commercial ou industriel (à savoir, si l'appareil n'est pas installé dans un domicile résidentiel).
- 6) Incendie, dommages causés par l'eau, vol, guerre, émeute, hostilités, cas de force majeure (ouragan, inondation, etc.).
- 7) Visites d'un technicien pour expliquer le fonctionnement de l'appareil au propriétaire.
- 8) Installation inappropriée (par exemple, encastrement d'un appareil autoportant, ou utilisation extérieure d'un appareil non conçu à cet effet).

Une preuve d'achat doit être présentée pour toute demande de réparation sous garantie. Prière de garder le reçu. Pour faire honorer la garantie, présenter ce document à la station technique agréée ou s'adresser à:

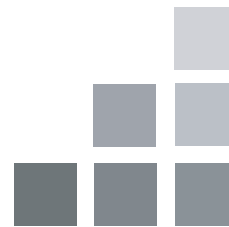
Service sous-garantie
En Atelier

Danby Products Limited
PO Box 1778, Guelph, Ontario, Canada N1H 6Z9
Telephone: (519) 837-0920 FAX: (519) 837-0449

1-800-263-2629

Danby Products Inc.
PO Box 669, Findlay, Ohio, U.S.A. 45840
Telephone: (419) 425-8627 FAX: (419) 425-8629

04/09



MICROWAVE OVEN

The model number can be found on the serial plate located on the back panel of the unit.

All repair parts available for purchase or special order when you visit your nearest service depot. To request service and/or the location of the service depot nearest you, call Danby toll free.

When requesting service or ordering parts, always provide the following information:

- **Product Type**
- **Model Number**
- **Part Description**
- **Serial Number**

FOUR À MICRO-ONDES

Le numéro de modèle se trouve sur la plaque d'information sur la paroi arrière de l'appareil.

Toutes les pièces de rechange ou commandes spéciales sont disponibles de votre centre régional de service autorisé. Pour exiger le service et/ou le nom de votre centre de service régional, signalez le numéro sans frais de Danby.

Ayez les renseignements suivants à la portée de la main lors de la commande de pièce ou service:

- **Genre de produit**
- **Numéro de modèle**
- **Description de la pièce**
- **le numéro de série**



Model • Modèle
DMW111KBLDB / DMW111KWDB

Danby Products Limited, Guelph, Ontario, Canada N1H 6Z9
Danby Products Inc., Findlay, Ohio, USA 45840

Free Manuals Download Website

<http://myh66.com>

<http://usermanuals.us>

<http://www.somanuals.com>

<http://www.4manuals.cc>

<http://www.manual-lib.com>

<http://www.404manual.com>

<http://www.luxmanual.com>

<http://aubethermostatmanual.com>

Golf course search by state

<http://golfingnear.com>

Email search by domain

<http://emailbydomain.com>

Auto manuals search

<http://auto.somanuals.com>

TV manuals search

<http://tv.somanuals.com>