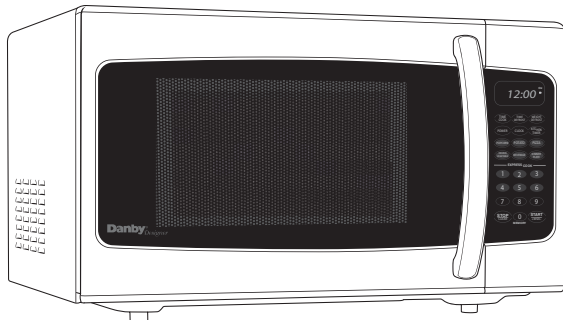


Danby® Designer

Owner's Use and Care Guide Guide d'utilisation et soins de Propriétaire



Model • Modèle
DMW111KSSDD

CAUTION:
Read and follow
all safety rules
and operating
instructions before
first use of this
product.

MISE EN GARDE:
Lisez et suivez
toutes les consignes
de sécurité et
d'utilisation avant la
première utilisation
de ce produit.

MICROWAVE OVEN

Owner's Use and Care Guide

..... 1 - 12

- Welcome
- Important Safety Information
- Important Safety Instructions
- Operation
- Care and Maintenance
- Warranty

FOUR À MICRO-ONDES

Guide d'utilisation et soins de Propriétaire

..... 13 - 24

- Bienvenue
- Information de Sécurité Important
- Consignes de Sécurité Important
- Fonctionnement
- Soins et Entretien
- Garantie

WELCOME

Welcome to the Danby family. We're proud of our quality products and we believe in dependable service. You'll see it in this easy to use manual and you'll hear it in the friendly voices of our consumer service department.

Tel: 1-800-26-**Danby**[®]
(1-800-263-2629)

Best of all, you'll experience these values each time you use your microwave. That's important, because your new microwave will be part of your family for a long time.

BEFORE USING YOUR MICROWAVE

Write down the model and serial numbers here. They are on a label located on the back of the oven.

Model Number _____

Serial Number _____

Date Purchased _____

Staple your receipt to this manual. You will need it to obtain service under warranty.

NEED HELP?

Before you call for service, there are a few things you can do to help us serve you better...

Read this manual:

It contains instructions to help you use and maintain your microwave properly.

If you received a damaged oven:

Immediately contact the dealer (or builder) that sold you the oven.

Save time and money:

Check the section titled "Troubleshooting" before calling. This section helps you solve common problems that might occur. If you do need service, you can relax knowing help is only a phone call away.

Tel: 1-800-26-**Danby**[®]
(1-800-263-2629)



IMPORTANT SAFETY INFORMATION

READ ALL SAFETY INFORMATION BEFORE USING PRECAUTIONS TO AVOID POSSIBLE EXPOSURE TO EXCESSIVE MICROWAVE ENERGY

For your safety the information in this manual must be followed to minimize the risk of fire or explosion or to prevent property damage, personal injury or loss of life.

Do Not Attempt to operate this oven with the door open since open-door operation can result in harmful exposure to microwave energy. It is important not to defeat or tamper with the safety interlocks.

Do Not Place any object between the oven front face and the door or allow soil or cleaner residue to accumulate on sealing surfaces.

Do Not Operate the oven if it is damaged. It is particularly important that the oven door close properly and that there is no damage to the:

- 1 door (bent),
- 2 hinges and latches (broken or loosened),
- 3 door seals and sealing surfaces.

The Oven Should Not be adjusted or repaired by anyone except properly qualified service personnel.

FEDERAL COMMUNICATIONS COMMISSION RADIO FREQUENCY INTERFERENCE STATEMENT (U.S.A. ONLY)

This equipment generates and uses ISM frequencies and if not installed and used properly, that is in strict accordance with the manufacturer's instructions, may cause interference to radio and television reception. It has been type-tested and found to comply with limits for ISM Equipment pursuant to Part 18 of FCC Rules, which are designed to provide reasonable protection against such interference in a residential installation.

However, there is no guarantee that interference will not occur in particular installations. If this equipment does cause interference to radio or television reception, which can be determined by turning the equipment off and on, the user is encouraged to try to correct the interference by one or more of the following:

- Reorient the receiving antenna of radio or television.
- Relocate the microwave oven with respect to the receiver.
- Move the microwave oven away from the receiver.
- Plug the microwave into a different outlet so that microwave and receiver are on different branch circuits.

The Manufacturer is not responsible for any radio or TV interference caused by **UNAUTHORIZED MODIFICATION** to this microwave oven. It is the responsibility of the user to correct such interference.

SAVE THESE INSTRUCTIONS!

IMPORTANT SAFETY INSTRUCTIONS

WARNING

To reduce the risk of fire, burns, electric shock, injury to persons or exposure of excessive microwave energy when using your appliance, follow basic precautions, including the following sections.

SAFETY PRECAUTIONS

- Read and follow the specific “Precautions to Avoid Possible Exposure to Excessive Microwave Energy” on page 2.
 - This appliance must be grounded. Connect only to a properly grounded outlet. See “Grounding Instructions” section on page 5.
 - Do not operate this appliance if it has a damaged power cord or plug, if it is not working properly, or if it has been damaged or dropped.
 - Do not cover or block any openings on the appliance.
 - Use this appliance only for its intended use as described in this manual. Do not use corrosive chemicals or vapors in this appliance.
 - This microwave oven is specifically designed to heat, dry or cook food, and is not intended for laboratory or industrial use.
 - Some products such as whole eggs and sealed containers – for example, closed glass jars- may explode and should not be heated in this oven.
 - Do not store this appliance outdoors.
 - Do not use this product near water-for example, in a wet basement, near a swimming pool or near a sink.
 - Keep power cord away from heated surfaces.
 - Do not immerse power cord or plug in water.
 - See door surface cleaning instructions in the Care and Maintenance section(s) of this manual.
 - This appliance should be serviced only by qualified service personnel. Contact nearest authorized service facility for examination, repair or adjustment.
 - As with any appliance, close supervision is necessary when used by children.
- To reduce the risk of fire in the oven cavity:**
- Do not overcook food.
 - Carefully attend appliance if paper, plastic or other combustible materials are placed inside the oven while cooking.
 - Remove wire twist-ties and metal handles from paper or plastic containers before placing them in the oven.
 - Do not use the oven for storage purposes. Do not leave paper products, cooking utensils or food in the oven when not in use.
 - Do not use the microwave to dry newspapers.
 - If materials inside oven should ignite, keep the oven door closed, turn the oven off and disconnect the power at the fuse or circuit breaker panel. If the door is opened, the fire may spread.

IMPORTANT SAFETY INSTRUCTIONS

SPECIAL NOTES ABOUT MICROWAVING

ARCING If you see arcing, press the “STOP/Clear” button and correct the problem.

Arcing is the microwave term for sparks in the oven. Arcing is caused by:

- Metal or foil touching the side of the oven.
- Foil not molded to food (upturned edges act like antennae).
- Metal, such as twist-ties, poultry pins, or gold-rimmed dishes, in the microwave.
- Recycled paper towels containing small metal pieces being used in the microwave.

FOODS

- Only cook popcorn in your microwave oven using a special microwave popcorn accessory dish, unless you use popcorn labeled for use in microwave ovens.
- Some products- such as whole eggs (with shell), sealed containers, and closed jars - will explode and should not be heated in this microwave oven. Heating these products in the microwave oven could result in injury.
- Do not boil eggs in a microwave oven. Pressure will build up inside egg yolk and will cause it to burst, possibly resulting in injury.
- Operating the microwave with no food inside for more than a minute or two may cause damage to the oven and could start a fire. It increases the heat around the magnetron and can shorten the life of the oven.
- Foods with unbroken outer “skin” such as potatoes, hot dogs, sausages, tomatoes, apples, chicken livers and other giblets, and egg yolks should be pierced to allow steam to escape before cooking.

SAFETY FACT: SUPERHEATED WATER

Microwaved water and other liquids do not always bubble when they reach the boiling point; they can actually get superheated and not bubble at all. Superheated liquid can bubble up when it is moved or when something like a spoon or tea bag is put into it. To prevent this from happening and causing injury, do not heat any liquid for more than 2 minutes per cup. After heating, let the cup stand in the microwave for 30 seconds before moving it or putting anything into it.

- Avoid heating baby food in glass jars, even with the lid off. Make sure all infant food is thoroughly cooked. Stir food to distribute the heat evenly. Be careful to prevent scalding when warming formula. The container may feel cooler than the milk really is. **Always test the milk before feeding the baby.**
- Spontaneous boiling- Under certain circumstances, liquids may start to boil during or shortly after removal from the microwave oven. To prevent burns from splashing liquid, we recommend the following:
 - Before removing the container from the oven, allow the container to stand in the the oven for 30 to 40 containers such as soft drink bottles, wine flasks and especially narrow-necked coffee cups. Even if the container is opened, excessive steam can build up and cause it to burst or overflow.
 - Don't defrost frozen beverages in narrow-necked bottles (especially carbonated beverages). Even if the container is opened, pressure can build up. This can cause the container to burst, possibly resulting in injury.
 - Hot foods and steam can cause burns. Be careful when opening any containers of hot food, including popcorn bags, cooking pouches and boxes. To prevent possible injury, direct steam away from hands and face.
 - Do not overcook potatoes. They could dehydrate and catch fire, causing damage to your oven.
 - Cook meat and poultry thoroughly- meat to at least an INTERNAL temperature of 160°F (71.1°C), and poultry to at least an INTERNAL temperature of 180°F (82.2°C). Cooking to these temperatures usually protects against food borne illness.

IMPORTANT SAFETY INSTRUCTIONS

MICROWAVE-SAFE COOKWARE

SPECIAL NOTES ABOUT MICROWAVING

Make sure all cookware used in your microwave oven is suitable for microwaving. Most glass casserole, cooking dishes, measuring cups, custard cups, pottery or china dinnerware which do not have metallic trim or glaze with a metallic sheen can be used. Some cookware will be labeled "suitable for microwaving".

- If you use a meat thermometer while cooking, make sure it is safe for use in microwave ovens.
- Do not use recycled paper products. Recycled paper towels, napkins, and waxed paper can contain metal flecks which may cause arcing or ignite. Paper products containing nylon or nylon filament should be avoided, as they may also ignite.
- Not all plastic wrap is suitable for use in microwave ovens. Check the package for proper use.
- Some styrofoam trays (like those that meat is packaged on) have a thin strip of metal embedded in the bottom. When microwaved, the metal can burn the floor of the oven, or ignite a paper towel.
- Cookware may become hot because of heat transferred from the heated food. Pot holders may be needed to handle the cookware.
- "Boilable" cooking pouches and tightly closed plastic bags should be slit, pierced, or vented as directed by package. If they are not, plastic could burst during or immediately after cooking, possibly resulting in injury. Also, plastic storage containers should be at least partially uncovered because they form a tight seal. When cooking with containers tightly covered with plastic wrap, remove covering carefully and direct steam away from hands and face.

- Paper towels, waxed paper, and plastic wrap can be used to cover dishes in order to retain moisture and prevent splattering. Be sure to vent plastic wrap so steam can escape.

How to test for a microwave-safe dish:

- 1) Place in the oven both the dish you are testing and a glass measuring cup filled with 1 cup of water.
- 2) Set the measuring cup either in or next to the dish.
- 3) Microwave 1 minute on high power.

If the dish heats, it should not be used for microwaving. If the dish remains cool and only the water in the cup heats, then the dish is microwave-safe.

- Use foil only as directed in this manual. TV dinners may be microwaved in foil trays less than 3/4" high; remove the top foil cover and return the tray to the box. When using foil in the microwave, keep the foil at least 1 inch away from the sides of the oven.
- Plastic cookware designed for microwave cooking is very useful, but should be used carefully. Even microwave-safe plastic may not be as tolerant of overcooking conditions as are glass and ceramic materials, and may soften or char if subjected to short periods of over-cooking. In longer exposure to over-cooking, the food and cookware could ignite.

Follow these guidelines:

- 1) Use Microwave-safe plastics only and use them in strict compliance with the cookware manufacturer's recommendations.
- 2) Do not microwave empty containers.
- 3) Do not permit children to use plastic cookware without complete supervision.

GROUNDING INSTRUCTIONS

WARNING: Improper use of the grounding plug can result in a risk of electric shock.

This appliance must be grounded. In the event of an electrical short circuit, grounding reduces the risk of electric shock by providing an escape wire for the electric current. This appliance is equipped with a power cord having a grounding wire with a grounding plug. The plug must be plugged into an outlet that is properly installed and grounded.

Consult a qualified electrician or service technician if the grounding instructions are not completely understood, or if doubt exists as to whether the appliance is properly grounded. If the outlet is a standard 2-prong wall outlet, it is your personal responsibility and obligation to have it replaced with a properly grounded 3-prong wall outlet.

DO NOT under any circumstances cut or remove the third (ground) prong from the power cord.

DO NOT use an adapter plug with this appliance.

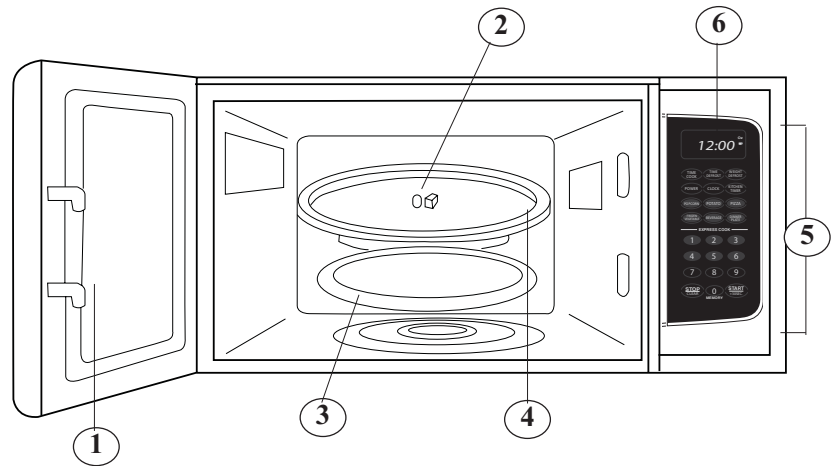
DO NOT use an extension cord with this appliance. If the power cord is too short, have a qualified electrician or service technician install an outlet near the appliance.

For best operation, plug this appliance into its own electrical outlet to prevent flickering of lights, blowing of fuse, or tripping of circuit breaker.

OPERATION

FEATURES OF YOUR MICROWAVE

- 1) **Oven Window:** Screen allows cooking to be viewed while keeping microwave energy confined in oven.
- 2) **Turntable Shaft**
- 3) **Roller Ring**
- 4) **Removable Glass Turntable:** Turntable and support must be in place when using the oven. The turntable may be removed for cleaning.
- 5) **Control Panel**
- 6) **Electronic Display**



CONTROLS

- **TIME COOK**
- **TIME DEFROST**
- **WEIGHT DEFROST**
- **CLOCK**
- **AUTO MENU:** Popcorn, Potato, Pizza, Frozen Vegetable, Beverage, Dinner Plate
- **NUMBER BUTTONS (0-9)**
- **WEIGHT DEFROST**
- **KITCHEN TIMER**
- **STOP/CLEAR:** Clears all previous settings pressed before cooking starts.
During Cooking: Press once to stop oven, press twice to stop and clear all entries.
- **MEMORY**
- **START/+30SEC.**



OPERATION

SETTING THE CLOCK

Your microwave clock is a 12-hour system.

- 1) Press “**CLOCK**”: “00:00” will display.
- 2) Press the number keys and enter the current time. For example, to set 12:10, press “1, 2, 1, 0” in turn.
- 3) Press “**CLOCK**” to finish clock setting. “:” will flash and the clock will be set.
- 4) If the numbers input are not within the range of

1:00-12:59, the setting will be invalid until valid numbers are input.

NOTES:

- In the process of setting the clock, if the “**STOP/CLEAR**” button is pressed or if there is no operation within 1 minute, the oven will go back to the former setting automatically.
- If the clock needs to be reset, repeat steps 1-3.

SETTING THE KITCHEN TIMER

- 1) Press “**KITCHEN TIMER**”; LED will display “00:00”, and the first hour figure will flash.
- 2) Press the number keys and enter the timer time (the maximum cooking time is 99 minutes and 99 seconds).
- 3) Press “**START/+30SEC.**” to confirm the setting.
- 4) When the timer time has been set, the buzzer will sound 5 times. If the clock is set, LED will display

the current time.

NOTES:

- The kitchen timer is different from the 12-hour clock system and is intended only for use when timing.
- During kitchen timer countdown, no programs can be set. Press “**STOP/CLEAR**” twice to cancel the kitchen timer function.

MICROWAVE COOKING

- 1) Press “**TIME COOK**” once, LED will display “00:00”.
- 2) Press the number keys to input the cooking time; the maximum cooking time is 99 minutes and 99 seconds.
- 3) Press “**POWER**” once, LED will display “**PL10**”. The default power is 100%. If you desire a lower power setting, now is the time to press the number key corresponding to the power level you desire.
- 4) Press “**START/+30SEC.**” to start cooking.

Example: To cook food with 50% microwave power for 15 minutes:

- a) Press “**TIME COOK**” once. “00:00” will display.
- b) Press “1, 5, 0, 0” in turn.
- c) Press “**POWER**” once, then press “5” to select 50% microwave power.
- d) Press “**START/+30SEC.**” to start cooking.

NOTES:

- In the process of cooking, if the “**STOP/CLEAR**” button is pressed or if there is no operation within 1

minute, the oven will go back to the former setting automatically.

- If “**PL0**” is selected the oven fan will operating with no heating power.
- During microwave cooking, “**POWER**” can be pressed to change the power level. After pressing “**POWER**”, the current power will flash for 3 seconds; press the number button corresponding to the power level you desire. The oven will work with the selected power for the duration of time set.

USE THESE SINGLE DIGITS TO REPRESENT POWER LEVELS:

Number	% of Power
9	90%
8	80%
7	70%
6	60%
5	50%
4	40%
3	30%
2	20%
1	10%



OPERATION

SPEEDY COOKING

- 1) Instant cooking at 100% power level can be started by selecting a cooking time from 1 to 6 minutes, by pressing the number pads 1 to 6. Press “**START/+30SEC.**” to increase the cooking time; the maximum cooking time is 99 minutes and 99 seconds.
 - 2) Instant cooking at 100% power level for a duration of 30 seconds’ cooking time can be started by pressing “**START/+30SEC.**”. Each press on this button will increase cooking time by 30 seconds (to a maximum of 99 minutes, 99 seconds).
- NOTE:** During microwave cooking and time defrost, time can be added by pressing the “**START/30SEC.**” button.

WEIGHT DEFROST

- 1) Press “**WEIGHT DEFROST**”; LED will display “**dEF1**”.
- 2) Press the number buttons to input weight to be defrosted. Input the weight ranged between 4-100 oz.
- 3) If the weight input is not within 4-100 range, the input will be invalid. A beep will sound and the unit will not work until valid numbers are input.
- 4) Press “**START/+30SEC.**” to start defrosting, and the cooking time remaining will be displayed.

FRACTION OF POUND	OUNCES
less than 0.3	0
0.4 to 0.9	1
0.10 to 0.15	2
0.16 to 0.21	3
0.22 to 0.27	4
0.28 to 0.34	5
0.35 to 0.40	6
0.41 to 0.46	7
0.47 to 0.53	8
0.54 to 0.59	9
0.60 to 0.65	10
0.66 to 0.71	11
0.72 to 0.78	12
0.79 to 0.84	13
0.85 to 0.90	14
0.91 to 0.97	15

TIME DEFROST

- 1) Press “**TIME DEFROST**”; LED will display “**dEF2**”.
- 2) Press the number buttons to input defrosting time. The accepted time range is 00:01-99:99
- 3) The default **TIME DEFROST** microwave power is power level 3. If you want to change the power level, press “**POWER**” once, and the LED will display “**PL3**”; then press the number pad of the power level you desire.
- 4) Press “**START/+30SEC.**” to start defrosting. The remaining cooking time will be displayed.

AUTO MENU COOKING

POPCORN:

There are 3 different Popcorn size settings; press “**POPCORN**” repeatedly until the number you wish appears in the display; “1.75 oz., 3.0 oz., 3.5 oz.”, will display in turn. Select the appropriate size setting, then press “**START/+30SEC.**” to begin cooking; beeping will sound 5 times upon the end of the popcorn cooking time countdown.

Important Information About Microwave Popcorn Feature:

- 1) When selecting 3.0-3.5 ounces of popcorn, it is suggested that you fold down a triangle on each

corner of the bag before cooking.

- 2) If/when the popcorn bag expands and no longer rotates properly, please press **STOP/CLEAR** button once, and open the over door and adjust the bag position to ensure even cooking.

WARNING: Never leave the microwave oven unattended during the cooking of Popcorn. When the popping action slows down, stop the microwave oven immediately, otherwise the popcorn will overcook, burn, and possibly catch on fire.

OPERATION

ONE TOUCH COOKING (cont'd)

POTATO:

a) Press “**POTATO**” repeatedly until the number you wish appears in the display; “1, 2, 3” will display in turn.

“1”: Sets 1 potato (approximately 230 grams).

“2”: Sets 2 potatoes (approx. 460 grams).

“3”: Sets 3 potatoes (approx. 690 grams).

For example, press “**POTATO**” once, “1” appears.

b) Press “**START/+30SEC.**” to cook and microwave will beep once. When cooking is finished, 5 beeps will sound and the microwave will revert back to a waiting state.

FROZEN VEGETABLE:

a) Press “**FROZEN VEGETABLE**” repeatedly until the number you wish appears in the display; “4.0, 8.0, 16.0” (ounces) will be displayed in turn. For example, press “**FROZEN VEGETABLE**” once; “4.0” appears.

b) Press “**START/+30SEC.**” to cook and microwave will beep once. When cooking is finished, microwave will beep five times and return to a waiting state.

BEVERAGE:

a) Press “**BEVERAGE**” repeatedly until the number you wish appears in the display; “1, 2, 3” will appear in turn. One cup is about 120mL. For

example, to heat one beverage, press “**BEVERAGE**” once and “1” appears.

b) Press “**START/+30SEC.**” to cook and microwave will beep once. When cooking is finished, microwave will beep five times and return to a waiting state.

DINNER PLATE:

a) Press “**DINNER PLATE**” repeatedly until the number you wish appears in the display; “9.0, 12.0, 18.0” (ounces) will display in turn. For example, to heat a 9.0 ounce amount of food, press “**DINNER PLATE**” once and “9.0” appears.

b) Press “**START/+30SEC.**” to cook and microwave will beep once. When cooking is finished, the microwave will beep five times and return to a waiting state.

PIZZA:

a) Press “**PIZZA**” until the number you wish appears in the display; “4.0 oz., 8.0 oz., 14.0 oz.” will display in turn. For example, press “**PIZZA**” once for a 4.0 oz. pizza and “4.0” will display.

b) Press “**START/+30SEC.**” to cook and microwave will beep once. When cooking is finished, the microwave will beep five times and return to a waiting state.

MEMORY

The **MEMORY** function allows you to program and store cooking times/power levels and recall them. To program a memory procedure:

1) To set memory procedure 1 to cook food with 80% power for 3 minutes and 20 seconds; Press “**0/MEMORY**” once and “1” will display.

a) Press “**TIME COOK**” once, then press “3”, “2”, and “0” in turn.

b) Press “**POWER**” once; “**PL10**” displays. Then press “8” and “**PL8**” will display.

c) Press “**START/+30SEC.**” to save the setting, The microwave will beep once then return to a waiting state. If you press “**START/+30SEC.**” again, the procedure will be saved as memory 1. To use memory 1 setting from a waiting state, press “**0/MEMORY**” once and “1” will display, then press “**START/+30SEC.**” to run.

NOTE: If the power goes out or you disconnect the microwave from the power supply, you will need to reset your memory programs as they will be lost.

2) To set memory procedure 2, press “**0/MEMORY**” twice until “2” is displayed then repeat the above steps. To use memory 2 setting from a waiting state, press “**0/MEMORY**” twice and “2” will display, then press “**START/+30SEC.**” to run.

OPERATION

MULTI-STAGE COOKING

A maximum of 2 stages can be set for cooking. In multi-stage cooking, if one stage is defrosting, then defrosting shall be placed as the first stage automatically.

NOTE: Auto cooking cannot work while in multi-stage cooking.

To set a two stage multi-cooking function:

For example, if you want to cook with 80% power for five minutes and 60% power for 10 minutes;

- a) Press “**TIME COOK**” once, then press “5”, “0”, “0”, to set the cooking time of 5 minutes.
- b) Press “**POWER**” once, then press “8” to select 80% microwave power.
- c) Press “**TIME COOK**” once more, then press “1”, “0”, “0”, “0” to set the cooking time of 10 minutes.
- d) Press “**POWER**” once more, then press “6” to select 60% microwave power.
- e) Press “**START/+30SEC.**” to start the above 2 stage cooking.

INQUIRING

If you wish to inquire as to what microwave power level your food is currently cooking at;

- 1) During operation, press “**CLOCK**”; the LED will display the clock for three seconds.
- 2) Press “**POWER**” to inquire what the microwave power level is; the current microwave power will display. After three seconds, the display will revert back to show operating time remaining.

NOTE: In multi-stage state, you can determine what power level is operating by following the above steps.

SETTING THE SAFETY LOCK

TO LOCK: While the microwave is nonoperational, press and hold “**STOP/CLEAR**” for three seconds; the microwave will sound a long beep, denoting the entering into the child-safety lock state; the LED will display “**00:00**”.

TO UNLOCK: From the locked state, press and hold “**STOP/CLEAR**” for three seconds; the microwave will sound a long beep, denoting that the microwave is now unlocked.

CARE AND MAINTENANCE

- 1) Turn off the oven and remove the power plug from the wall socket before cleaning.
- 2) Keep the inside of the oven clean. When food splatters or spilled liquids adhere to oven walls, wipe with a damp cloth. Mild detergent may be used if the oven gets very dirty. Avoid the use of spray and other harsh cleaners as they may stain, streak or dull the door surface.
- 3) The outside surfaces should be cleaned with a damp cloth. To prevent damage to the operating parts inside the oven, water should not be allowed to seep into the ventilation openings.
- 4) Wipe the window on both sides with a damp cloth to remove any spills or splatters.
- 5) Do not allow the control panel to become wet. Clean with a soft, damp cloth. When cleaning the control panel, leave oven door open to prevent oven from accidentally turning on.
- 6) If steam accumulates inside or around the outside of the oven door, wipe with a soft cloth. This may occur when the microwave oven is operated under high humidity conditions; this is normal.
- 7) It is occasionally necessary to remove the glass tray for cleaning. Wash the tray in warm sudsy water or in a dishwasher.
- 8) The roller ring and oven floor should be cleaned regularly to avoid excessive noise. Simply wipe the bottom surface of the oven with mild detergent. The roller ring may be washed in mild sudsy water or dishwasher. When removing the roller ring from cavity floor for cleaning, be sure to replace in the proper position.
- 9) Remove odors from your oven by combining a cup of water with the juice and skin of one lemon in a deep bowl, microwave for 5 minutes. Wipe thoroughly and dry with a soft cloth.
- 10) When it becomes necessary to replace the oven light, please consult a dealer to have it replaced.
- 11) When cleaning surfaces of door and oven that comes together on closing the door, use only mild, non abrasive soaps or detergents applied with a sponge or soft cloth.

BIENVENUE

Bienvenue dans la famille de produits Danby. Nous sommes fiers de nos produits de qualité et nous croyons en un service fiable. Vous le constaterez à ce guide pratique et su ton amical de notre personnel du service à la clientèle

Tél.: 1-800-26-Danby® (1-800-263-2629)

Mieux encoure, vous constaterez la qualité de nos produits et leur fiabilité à chaque utilisation de votre four à micro-ondes. C'est important: votre nouveau four à micro-ondes fera longtemps partie de votre famille.

AVANT D'UTILISER VOTRE FOUR À MICRO-ONDES

Inscrivez les numéros de modèle et de série ici. Ils se trouvent sur une étiquette a l'arrière du four.

Numéro de Modèle _____

Numéro de série _____

Date d'achat _____

Brochez votre coupon de caisse à l'endos de ce guide. Il sera nécessaire pour votre garantie.

BESOIN D'AIDE?

Avant de téléphonez pour une réparation, voici quelques petites choses que vous pouvez faire afin que nous puissions mieux vous servir...

Lisez ce guide: Il contient des instructions qui vous aideront à utiliser et entretenir correctement votre four à micro-ondes.

Si vous avez reçu un four à micro-ondes endommagé: Contactez immédiatement le détaillant (ou le fabricant) qui vous a vendu le four.

Économisez temps et argent: Consultez la section « Dépannage » avant de téléphoner. Cette section vous aidera à résoudre les problèmes courants éventuels. Si vous avez besoin de notre aide, vous pouvez être assuré que nous serons au bout du fil.

Tél.: 1-800-26-Danby® (1-800-263-2629)

INFORMATION DE SÉCURITÉ IMPORTANTES

LISEZ TOUTES LES CONSIGNES DE SÉCURITÉ AVANT L'UTILISATION

PRÉCAUTIONS À PRENDRE AFIN D'ÉVITER UNE EXPOSITION EXCESSIVE À L'ÉNERGIE MICRO-ONDE

Afin d'assurer votre sécurité, les consignes de ce guide doivent être suivies afin de réduire les risques d'incendie ou d'explosion, de dommages à la propriété, de blessure ou de décès.

Ne faites pas fonctionner ce four la porte ouverte : un tel fonctionnement peut entraîner une exposition dangereuse à l'énergie micro-onde. Il est important de ne pas contourner ou altérer le verrouillage de sécurité. **Ne déposez pas** d'objet entre la face du four et la porte. Ne laissez pas la saleté ou les résidus de produits nettoyants s'accumuler sur les surfaces d'étanchéité.

Ne faites pas fonctionner le four s'il est endommagé. Il est très important que la porte du four se ferme bien et que les éléments suivants ne soient pas endommagés :

- 1 porte (courbée);
- 2 charnières et loquets (brisés ou lâches);
- 3 surface d'étanchéité et porte étanche.

Le four doit être réglé ou réparé par un technicien qualifié.

DÉCLARATION QUANT AUX INTERFÉRENCES DE FRÉQUENCE RADIO DE LA COMMISSION FÉDÉRALE DES COMMUNICATIONS (É.-U. SEULEMENT)

Cet équipement génère et utilise des fréquences sur bande ISM. S'il n'est pas installé et utilisé correctement, c'est-à-dire selon les directives du fabricant, ces fréquences peuvent entraîner des interférences dans les réceptions radiophoniques et télévisuelles. Cet équipement a été mis à l'essai et déclaré conforme aux limitations de l'équipement ISM énoncées à l'article 18 de la réglementation de la Commission, dont le but est d'offrir une protection raisonnable contre de telles interférences dans les installations résidentielles.

Il n'existe cependant aucune garantie que des interférences ne surviendront pas dans des installations particulières. Si cet équipement entraîne des interférences dans les réceptions radiophonique et télévisuelle, ce qui peut être déterminé en allumant et en éteignant l'équipement, l'utilisateur devrait tenter de corriger l'interférence en posant un ou plusieurs des gestes suivants :

- réorienter l'antenne réceptrice de la radio ou de la télévision;
- déplacer le four à micro-ondes par rapport au récepteur;
- éloigner le four à micro-ondes du récepteur;
- brancher le four à micro-ondes dans une prise différente afin qu'il ne se trouve pas sur le même circuit que le récepteur.

Le fabricant n'est pas responsable des interférences radiophoniques ou télévisuelles causées par une **MODIFICATION NON AUTORISÉE** à ce four à micro-ondes. L'utilisateur est responsable de la correction de telles interférences.

CONSERVEZ CES INSTRUCTIONS!

CONSIGNES DE SÉCURITÉ IMPORTANTES

AVERTISSEMENT

Afin de réduire le risque d'incendie, brûlure, choc électrique, blessure ou exposition excessive à l'énergie micro-onde pendant l'utilisation de votre appareil, prenez des précautions de base, incluant celles énoncées dans les sections qui suivent.

CONSIGNES DE SÉCURITÉ

- Lisez et respectez les «Précautions à prendre afin d'éviter une exposition excessive à l'énergie micro-onde», à la page 14.
 - Cet appareil doit être mis à la terre. Ne le branchez que sur une prise correctement mise à la terre. Consultez la section « Directives de mise à la terre », à la page 17.
 - N'utilisez pas cet appareil si son cordon ou sa fiche d'alimentation sont endommagés, s'il ne fonctionne pas correctement ou s'il a été échappé ou endommagé.
 - Ne couvrez ni ne bloquez aucune ouverture de l'appareil.
 - Utilisez cet appareil à ce pour quoi il a été conçu, tel que décrit dans ce guide. N'utilisez pas de vapeurs ou de produits chimiques corrosifs dans cet appareil.
 - Ce four à micro-ondes est spécialement conçu pour chauffer, sécher ou cuire des aliments. Il n'est pas conçu pour une utilisation industrielle ou en laboratoire.
 - Certains produits tels les œufs entiers et les contenants hermétiques tels les pots de verre fermés peuvent exploser et ne devraient pas être chauffés dans ce four.
 - Ne rangez pas cet appareil à l'extérieur.
 - N'utilisez pas ce produit près d'une source d'eau, tel un sous-sol humide, une piscine ou un évier.
 - Éloignez le cordon d'alimentation de toute surface chauffée.
 - N'immergez pas le cordon d'alimentation ou la fiche.
 - Consultez les directives de nettoyage de la surface de la porte aux sections «Entretien et nettoyage » de ce guide.
 - Toute réparation doit être effectuée par un personnel qualifié seulement. Contactez le centre de service autorisé le plus près pour vérification, réparation ou réglage.
 - Comme c'est le cas de tout appareil, une surveillance étroite est nécessaire lors de l'utilisation par des enfants.
- Pour réduire le risque d'incendie dans l'enceinte du four :**
- Ne cuisez pas trop les aliments.
 - Surveillez étroitement l'appareil pendant la cuisson si du papier, plastique ou autre matériau combustible sont placés dans le four.
 - Retirez les attaches et les poignées métalliques des contenants de plastique avant de les placer dans le four.
 - N'utilisez pas le four comme espace de rangement. Ne laissez pas de papier, ustensiles ou aliments dans le four lorsqu'il n'est pas utilisé.
 - N'utilisez pas le four pour sécher les journaux.
 - Si des matériaux devaient s'enflammer dans le four, laissez la porte du four fermée, éteignez le four et débranchez l'alimentation au niveau de la fusible ou du disjoncteur. Le feu risque de se propager si la porte est ouverte.

CONSIGNES DE SÉCURITÉ IMPORTANTES

REMARQUES PARTICULIÈRES CONCERNANT LA CUISSON MICRO-ONDE

FORMATION D'ÉTINCELLES

Si vous voyez des étincelles, appuyez sur le bouton ARRÊT/ANNULER et corrigez le problème.

« Arcing » est le terme des micro-ondes pour décrire la formation d'étincelles dans le four. La formation d'étincelle est causée par :

- Du métal ou du papier d'aluminium en contact avec la paroi du four;
- Du papier d'aluminium non moulé autour des aliments (les arêtes pointant vers le haut agissent comme des antennes);
- Du métal, tel des attaches métalliques, des broches de volaille ou de la vaisselle cordonnée d'or dans le four à micro-ondes;
- Essuie-tout recyclé contenant de petits morceaux de métal dans le four à micro-ondes.

ALIMENTS

- Le maïs soufflé ne doit être cuit dans votre four à micro-ondes qu'à l'aide d'un accessoire de cuisson spécialement conçu à cet effet, à moins que vous n'utilisiez du maïs soufflé identifié pour l'utilisation au four à micro-ondes.
- Certains produits, tels les œufs entiers (dans leur coquille), les contenants hermétiques et les pots de verre fermés, peuvent exploser et ne devraient pas être chauffés dans ce four à micro-ondes.
- Ne faites pas bouillir des œufs au four à micro-ondes. La pression s'accumulera dans le jaune d'œuf et le fera exploser, entraînant potentiellement des blessures.
- Faire fonctionner le four à micro-ondes sans aliment à l'intérieur durant plus d'une minute peut l'endommager et causer un incendie. La chaleur autour du magnétron augmente et peut réduire la durée de vie du four.
- Les aliments dotés d'une «peau» fermée tels les pommes de terre, saucisses, tomates, pommes, foie de poulet ou autres abattis et les jaunes d'œuf doivent être piqués avant la cuisson afin de permettre que la vapeur s'en échappe.

DONNÉES DE SÉCURITÉ: EAU SURCHAUFFÉE

L'eau et les autres liquides ne font pas toujours de bulles lorsqu'ils atteignent le point d'ébullition au four à micro-ondes. Ils peuvent en fait surchauffer sans faire une seule bulle. Le liquide surchauffé peut faire des bulles lorsqu'il est déplacé ou que quelque chose y est déposé, telle une cuiller ou un sachet de thé. Afin d'éviter cette situation pouvant entraîner des blessures, ne chauffez aucun liquide pendant plus de 2 minutes par tasse. Une fois le liquide chauffé, laissez reposer la tasse pendant 30 secondes dans le four à micro-ondes avant de la déplacer ou d'y déposer quoi que ce soit.

- Évitez de chauffer de la nourriture pour bébé dans des pots de verre, même sans le couvercle. Assurez-vous que la nourriture pour bébé est entièrement cuite.

Mélangez les aliments afin de répartir la chaleur également. Prenez soin de ne pas vous ébouillanter lorsque vous chauffez du lait maternisé. Le contenant peut sembler plus froid que le lait ne l'est en réalité. **Vérifiez toujours la température du lait avant de nourrir le bébé.**

- Ébullition spontanée – Dans certains cas, un liquide peut commencer à bouillir pendant qu'on le retire du four à micro-ondes ou immédiatement après. Afin d'éviter les blessures causées par un éclaboussement, nous vous recommandons de laisser le contenant reposer entre 30 et 40 secondes dans le four éteint avant de l'en retirer. Ne faites pas bouillir de liquide dans des contenants à col mince tels les bouteilles de boissons gazeuses, les flacons de vinet surtout les tasses à café étroites. Même si le contenant est ouvert, de la vapeur peut s'accumuler en excès et entraîner une explosion ou un débordement.
- Ne faites pas décongeler de boissons surgelées dans des bouteilles étroites (surtout les boissons gazeuses). Même si le contenant est ouvert, de la pression peut s'accumuler. Le contenant pourrait exploser, entraînant des blessures.
- La vapeur et les aliments chauds peuvent entraîner des brûlures. Soyez prudent lorsque vous ouvrez des contenants d'aliments chauds, y compris les sacs de maïs soufflé, les pochettes de cuisson et les boîtes. Afin d'éviter les blessures, dirigez la vapeur loin des mains et du visage.
- Ne cuisez pas trop les pommes de terre. Elles pourraient se déshydrater et s'enflammer, endommageant votre four.
- Cuisez entièrement la viande et la volaille : la viande doit avoir une température INTERNE d'au moins 71,1°C (160°F) et la volaille 82,2°C (180°F). La cuisson à ces températures prévient habituellement les maladies alimentaires.

CONSIGNES DE SÉCURITÉ IMPORTANTES

REMARQUES PARTICULIÈRES CONCERNANT LA CUISSON MICRO-ONDE

USTENSILES DE CUISSON POUR MICRO-ONDES

Assurez-vous que tous les ustensiles utilisés dans votre four à micro-ondes conviennent à ce type de cuisson. La plupart des casseroles de verre, plats de cuisson, tasses à mesurer, ramequins, poteries ou porcelaines sans bordure métallique ou enduit métallique peuvent être utilisés. Certains ustensiles de cuisson sont identifiés «sûr pour la cuisson aux micro-ondes».

- Si vous utilisez un thermomètre à viande durant la cuisson, assurez-vous qu'il convient aux fours au micro-ondes.
- N'utilisez pas de produits de papier recyclé. Les essuie-tout, serviettes de table et papier ciré recyclés peuvent contenir des particules métalliques pouvant causer la formation d'étincelles ou de flammes. Les produits de papier contenant du nylon ou des fils de nylon devraient être évités: eux aussi peuvent s'enflammer.
- Tous les emballages de plastique ne conviennent pas aux fours à micro-ondes. Vérifiez l'emballage pour une utilisation adéquate.
- Le fond de certains plateaux de polystyrène, tels les emballages de viande, comporte une fine couche de métal. Lorsque cuit aux micro-ondes, le métal peut brûler le plancher du four ou enflammer un essuie-tout.
- La chaleur des aliments chauffés peut se transférer sur l'ustensile de cuisson. Vous aurez peut-être besoin de poignées pour manipuler l'ustensile.
- Les pochettes de cuisson «à bouillir» et les sacs de plastique hermétiquement fermés devraient être fendus, percés ou aérés, tel qu'indiqué sur leur emballage. Sans quoi, le plastique pourrait exploser pendant la cuisson ou immédiatement après, entraînant des blessures. En outre, les plats de rangement de plastique devraient être partiellement découverts afin d'éviter qu'ils ne forment une fermeture hermétique. Lors de la cuisson des contenants couverts hermétiquement à l'aide de pellicule plastique, soyez prudent en retirant la pellicule et dirigez la vapeur loin des mains et du visage.

- Les essuie-tout, le papier ciré et la pellicule plastique peuvent être utilisés pour couvrir les plats afin de retenir l'humidité et d'empêcher les éclaboussures. Assurez-vous d'aérer la pellicule plastique afin que la vapeur puisse s'échapper.

Comment déterminer si un plat convient au micro-ondes :

- 1) Placez le plat à vérifier et une tasse à mesurer de verre remplie d'une tasse d'eau dans le four.
 - 2) Placez la tasse à mesurer dans le plat ou à côté.
 - 3) Faites cuire aux micro-ondes pendant une minute à puissance élevée. Si le plat chauffe, il ne devrait pas être utilisé pour la cuisson aux micro-ondes. Si le plat demeure froid et que seule l'eau dans la tasse chauffe, le plat convient aux micro-ondes.
- N'utilisez le papier d'aluminium que de la façon décrite dans ce guide. Les plateaux téle peuvent être cuits au micro-ondes dans des plateaux d'aluminium de moins de 3/4 po. Retirez le couvercle supérieur et remettez le plateau dans la boîte. Lorsque vous utilisez du papier d'aluminium dans le four à micro-ondes, gardez une distance d'au moins 1 pouce entre le papier et les parois du four.
 - Les ustensiles de cuisson de plastique conçus pour les micro-ondes sont très pratiques, mais doivent être utilisés avec prudence. Même les plastiques conçus pour les micro-ondes peuvent ne pas résister à la surcuisson aussi bien que le verre ou la céramique : ils peuvent ramollir ou carboniser lorsque soumis à de courtes périodes de surcuisson. Les aliments et l'ustensile peuvent même s'enflammer sur une longue période de surcuisson.

Suivez les lignes directrices suivantes:

- 1) Utilisez des ustensiles de plastique conçus pour les micro-ondes seulement et suivez attentivement les recommandations du fabricant.
- 2) **Ne cuisez pas** de contenant vide aux micro-ondes.
- 3) **Ne laissez pas** les enfants utiliser d'ustensile de plastique sans surveillance étroite.

INSTRUCTIONS DE MISE À LA TERRE

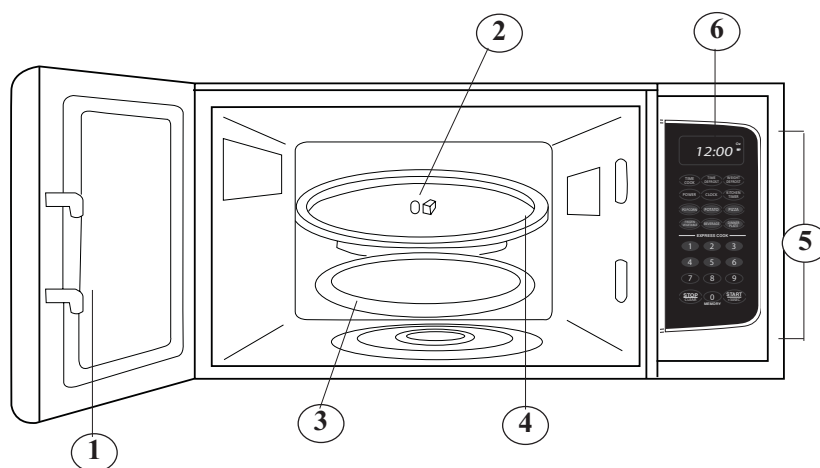
AVERTISSEMENT: Une utilisation inadéquate de la prise de mise à la terre peut causer des chocs électriques.

- Cet appareil doit être mis à la terre. Dans le cas d'un court-circuit électrique, la mise à la terre réduit le risque de choc électrique en offrant une sortie au courant électrique.
- Cet appareil est doté d'un cordon d'alimentation avec fiche bipolaire avec terre. La fiche doit être branchée dans une prise correctement installée et mise à la terre. Consultez un électricien qualifié ou un technicien d'entretien si les directives de mise à la terre ne sont pas entièrement comprises, ou si un doute subsiste quant à la mise à la terre appropriée de l'appareil.
- Si la prise est une prise standard à deux fiches, il est de votre responsabilité et devoir de la faire remplacer par une prise à trois fentes avec terre.
- Ne coupez pas et ne retirez pas la troisième lame (mise à la terre) du cordon d'alimentation, peu importe les circonstances. N'utilisez pas d'adaptateur de fiche avec cet appareil.
- N'utilisez pas de rallonge avec cet appareil. Si le cordon d'alimentation est trop court, faites installer une prise près de l'appareil par un électricien qualifié ou un technicien d'entretien. Pour un meilleur fonctionnement, branchez cet appareil dans une prise à lui seul afin d'éviter le scintillement des lumières, le grillage d'un fusible ou un arrêt du disjoncteur.

FONCTIONNEMENT

CARACTÉRISTIQUES DE VOTRE FOUR À MICRO-ONDES

- 1) **Vitre du four:** Elle permet de voir la cuisson tout en conservant l'énergie confinée à l'intérieur du four.
- 2) **Axe du plateau tournant.**
- 3) **Anneau de roulement.**
- 4) **Plateau tournant en verre amovible:** Le plateau tournant et le support doivent être mis en place lorsque vous utilisez le four. Le plateau tournant peut être retiré pour le nettoyage.
- 5) **Panneau de commande.**
- 6) **Affichage électronique.**



COMMANDES

- DURÉE DE CUISSON
- DURÉE DE DÉCONGÉLATION
- POIDS À DÉCONGELER
- HORLOGE
- MENU AUTOMATIQUE : Maïs à éclater, Pommes de terre, Pizza, Légumes congelés, Breuvage, Assiette de souper
- BOUTONS NUMÉROTÉS (0 À 9)
- POIDS À DÉCONGELER
- MINUTERIE DE CUISINE
- ARRÊTER/EFFACER : Efface tous les paramètres précédemment configurés avant de débuter la cuisson.
Durée de cuisson : Appuyez une fois pour arrêter le four, appuyez deux fois pour effacer tous les paramètres.
- MÉMOIRE
- DÉMARRER/+30 SEC.



FONCTIONNEMENT

REGLAGE DU HORLOGE L'horloge de votre four à micro-ondes est paramétrée sur 12 heures.

- 1) Appuyez sur «**HORLOGE**» : «**00:00**» s'affiche.
- 2) Appuyez sur les chiffres pour saisir l'heure actuelle. Par exemple, pour configurer 12:10, appuyez sur «1, 2, 1, 0» consécutivement.
- 3) Appuyez sur «**HORLOGE**» pour terminer le réglage de l'horloge. « : » clignote et l'horloge est configurée.
- 4) Si les chiffres saisis ne sont pas dans l'intervalle

1:00-12:59, la configuration sera invalide jusqu'à ce que les bons chiffres soient saisis.

REMARQUES :

- Au cours du processus de configuration de l'horloge, si on appuie sur la touche «**ARRÊT/ EFFACER**» ou si on ne touche pas à l'appareil pendant 1 minute, le four revient aux paramètres précédents automatiquement.
- Si l'horloge a besoin d'être à nouveau configurée, répétez les étapes 1 à 3.

REGLAGE DU TEMPORISATEUR

- 1) Appuyez sur «**MINUTERIE DE LA CUISINE**», la DEL affiche «**00:00**» et le premier chiffre des heures clignote.
- 2) Appuyez sur les chiffres pour saisir la durée de minuterie (la durée maximale de cuisson est de 99 minutes et 99 secondes).
- 3) Appuyez sur «**DÉMARRER /+30SEC.** » pour confirmer le paramétrage.
- 4) Lorsque la minuterie est configurée, le four émet 5 bips sonores. Si l'horloge est configurée, la DEL

affiche l'heure actuelle.

REMARQUES :

- La minuterie de la cuisine est différente du système d'horloge à 12 heures; elle est conçue uniquement pour l'utilisation lorsque vous minutez une cuisson.
- Pendant le décompte de la minuterie, aucun programme ne peut être configuré. Appuyez deux fois sur «**ARRÊT/ EFFACER** » pour annuler la fonction de minuterie.

CUISSON AU FOUR À MICRO-ONDES

- 1) Appuyez une fois sur «**DURÉE DE CUISSON** », la DEL affiche «**00:00** ».
- 2) Appuyez sur les chiffres pour saisir la durée de cuisson; la durée de cuisson maximale est de 99 minutes et 99 secondes.
- 3) Appuyez une fois sur «**PUISSANCE** », la DEL affiche «**PL10** ». La puissance paramétrée par défaut est 100 %. Si vous souhaitez abaisser le réglage de puissance, c'est le moment d'appuyer sur le chiffre correspondant au niveau de puissance que vous souhaitez.
- 4) Appuyez sur «**DÉMARRER /+30SEC** » pour démarrer la cuisson.

Exemple : Pour cuire des aliments à une puissance de micro-ondes de 50 % pendant 15 minutes :

- a) Appuyez une fois sur «**DURÉE DE CUISSON** ». «**00:00** » s'affiche.
- b) Appuyez sur «**1, 5, 0, 0** » consécutivement.
- c) Appuyez une fois sur «**PUISSANCE** », appuyez ensuite sur «**5** » pour sélectionner la puissance de micro-ondes à 50 %.
- d) Appuyez sur «**DÉMARRER/+30SEC.** » pour démarrer la cuisson.

REMARQUES :

- Au cours du processus de cuisson, si on appuie sur la touche «**ARRÊT/ EFFACER** » ou si on ne touche pas à l'appareil pendant 1 minute, le four revient aux

paramètres précédents automatiquement. Si «**PL0** » est sélectionné, le ventilateur du four fonctionnera avec une puissance sans chaleur.

- Pendant une cuisson au four à micro-ondes, on peut appuyer sur «**PUISSANCE** » pour modifier le niveau de puissance. Après avoir appuyé sur «**PUISSANCE** », la puissance actuelle clignote pendant 3 secondes; appuyez sur le chiffre correspondant au niveau de puissance que vous désirez. Le four fonctionne alors avec la puissance sélectionnée pendant la durée prévue.

UTILISEZ CES ÉLÉMENTS NUMÉRIQUES POUR AFFICHER LES NIVEAUX DE PUISSANCE

Nombre	% de Puissance
9	90%
8	80%
7	70%
6	60%
5	50%
4	40%
3	30%
2	20%
1	10%

FONCTIONNEMENT

CUISSON RAPIDE

- 1) Une cuisson minute à puissance maximale peut être lancée en choisissant une durée de cuisson de 1 à 6 minutes, en appuyant sur les chiffres de 1 à 6. Appuyez sur « **DÉMARRER /+ SEC.** » pour augmenter la durée de cuisson; la durée de cuisson maximale est de 99 minutes et 99 secondes.
- 2) Pour une cuisson minute à puissance maximale pendant 30 secondes, appuyez sur « **DÉMARRER/+30 SEC.** » Chaque pression sur cette touche sur cette touche augmente la durée par incréments de 30 secondes (jusqu'à un maximum de 99 minutes, 99 secondes).

REMARQUE : Au cours de la cuisson au four à micro-ondes et pendant la durée de décongélation, on peut prolonger la durée en appuyant sur « **DÉMARRER/+ 30 SEC** » button.

POIDS À DÉCONGELER

- 1) Appuyez sur « **POIDS À DÉCONGELER** »; la DEL affiche « **def1** ».
- 2) Appuyez sur les chiffres pour saisir le poids des aliments à décongeler. Saisissez le poids dans une gamme de 4 à 100 oz.
- 3) Si le poids saisi n'est pas entre 4 et 100 oz, l'entrée est invalide. Vous entendez ensuite un bip sonore et l'unité ne fonctionne pas tant que des chiffres valides ne sont pas saisis.
- 4) Appuyez sur « **DÉMARRER /+30SEC.** » pour démarrer la décongélation; le temps restant s'affiche alors sur l'écran.

FRACTION DE LIVRE	POUCES
moins de 0.3	0
0.4 à 0.9	1
0.10 à 0.15	2
0.16 à 0.21	3
0.22 à 0.27	4
0.28 à 0.34	5
0.35 à 0.40	6
0.41 à 0.46	7
0.47 à 0.53	8
0.54 à 0.59	9
0.60 à 0.65	10
0.66 à 0.71	11
0.72 à 0.78	12
0.79 à 0.84	13
0.85 à 0.90	14
0.91 à 0.97	15

DURÉE DE DÉCONGÉLATION

- 1) Appuyez sur « **DURÉE DE DÉCONGÉLATION** »; la DEL affiche « **def2** ».
- 2) Appuyez sur les chiffres pour configurer la durée de décongélation. L'intervalle de durée accepté est de 00:01 à 99:99
- 3) La **DURÉE DE DÉCONGÉLATION** par défaut du four à micro-ondes est au niveau de puissance 3. Si vous souhaitez changer le niveau de puissance, appuyez une fois sur « **PUISSANCE** » et la DEL affiche ensuite « **PL3** »; appuyez ensuite sur le chiffre correspondant à la puissance que vous souhaitez.
- 4) Appuyez sur « **DÉMARRER /+30SEC.** » pour démarrer la décongélation. La durée restante s'affiche.

MENU DE CUISSON AUTOMATIQUE

POPCORN:

Il existe trois configurations de taille pour le maïs à éclater; appuyez sur « **MAIS À ÉCLATER** » de manière répétée jusqu'à ce que le chiffre que vous souhaitez apparaisse sur l'affichage; « 1.75 oz., 3.0 oz., 3.5 oz. » s'affichent alternativement. Choisissez la configuration de taille appropriée et appuyez sur « **DÉMARRER/+30 SEC.** » pour démarrer la cuisson; vous entendrez un bip à 5 reprises jusqu'à la fin de la cuisson du maïs à éclater.

Information importante à propos de la caractéristique du maïs à éclater au four à micro-ondes :

- 1) Lorsque vous choisissez 3.0-3.5 onces de maïs à

éclater, on vous suggère de plier un triangle à chaque coin du sachet avant de démarrer la cuisson.

- 2) Lorsque le sachet de maïs à éclater s'étale et ne pivote plus correctement, appuyez une fois sur **ARRÊT/EFFACER** et ouvrez la porte pour ajuster la position du sachet et garantir une cuisson uniforme.

MISE EN GARDE: Ne laissez jamais le four à micro-ondes sans surveillance pendant la cuisson du maïs à éclater. Lorsque que l'action d'éclatement diminue, arrêtez immédiatement le four à micro-ondes, sinon le maïs à éclater pourrait trop cuire, brûler et s'enflammer.

FONCTIONNEMENT

CUISSONS PRÉPROGRAMMÉES (suite)

POMMES DE TERRE :

- a) Appuyez sur « **POMMES DE TERRE** » de manière répétée jusqu'à ce que le chiffre que vous souhaitez apparaisse sur l'écran; « 1, 2, 3 » s'affichent alternativement.
- « 1 » : Pour la cuisson d'une pomme de terre (Environ 230 grammes).
- « 2 » : Pour la cuisson de deux pommes de terre (Environ 460 grammes).
- « 3 » : Pour la cuisson de trois pommes de terre (Environ 690 grammes).

Par exemple, appuyez une fois sur « **POMME DE TERRE** » pour afficher « 1 ».

- b) Appuyez sur « **DÉMARRER/+30 SEC.** » pour cuire les pomme/s de terre; le four émet alors un bip sonore. Lorsque la cuisson est terminée, 5 bips sonores retentissent et le four à micro-ondes revient en mode d'attente.

LÉGUMES CONGELÉS :

- a) Appuyez sur « **LÉGUMES CONGELÉS** » de manière répétée jusqu'à ce que le chiffre que vous souhaitez apparaisse sur l'affichage; « 4.0, 8.0, 16.0 » (onces) s'affichent alternativement. Par exemple, appuyez une fois sur « **LÉGUMES CONGELÉS** » pour afficher « 4.0 ».
- b) Appuyez sur « **DÉMARRER/+30SEC.** » pour cuire les légumes congelés; le four émet alors un bip sonore. Lorsque la cuisson est terminée, le four à micro-ondes émet cinq bip sonores et revient en mode d'attente.

BREUVAGE :

- a) Appuyez sur « **BREUVAGE** » de manière répétée

jusqu'à ce que le chiffre que vous souhaitez apparaisse sur l'écran; « 1, 2, 3 » s'affichent alternativement. Une tasse correspond environ à 120 mL. Par exemple, pour chauffer un breuvage, appuyez une fois sur « **BREUVAGE** » pour afficher « 1 ».

- b) Appuyez sur « **DÉMARRER/+30SEC.** » pour cuire le breuvage; le four émet alors un bip sonore. Lorsque la cuisson est terminée, le four à micro-ondes émet cinq bip sonores et revient en mode d'attente.

ASSIETTE DE SOUPER :

- a) Appuyez sur « **ASSIETTE DE SOUPER** » de manière répétée jusqu'à ce que le chiffre que vous souhaitez apparaisse sur l'affichage; « 9.0, 12.0, 18.0 » (onces) s'affichent alternativement. Par exemple, pour réchauffer 9.0 onces d'aliments, appuyez sur **DINNER** « **ASSIETTE DE SOUPER** » une fois pour afficher « 9.0 ».
- b) Appuyez sur « **DÉMARRER/+30SEC.** » pour cuire l'assiettée; le four émet alors un bip sonore. Lorsque la cuisson est terminée, le four à micro-ondes émet cinq bip sonores et revient en mode d'attente.

PIZZA :

- a) Appuyez sur « **PIZZA** » jusqu'à ce que le chiffre que vous souhaitez apparaisse sur l'affichage; « 4.0 oz., 8.0 oz., 14.0 oz. » s'affichent alors consécutivement. Par exemple, appuyez sur « **PIZZA** » une fois pour une pizza de 4.0 oz et afficher ainsi « 4.0 ».
- b) Appuyez sur « **DÉMARRER/+30SEC.** » en mode d'attente.

MEMOIRE

La fonction **MÉMOIRE** vous permet de programmer et d'enregistrer des durées de cuisson/niveaux de puissance et de les conserver. Pour programmer une procédure de mise en mémoire :

- 1) Pour configurer la mémoire 1 et cuire des aliments à puissance 80 % pendant 3 minutes et 20 secondes, appuyez sur « **0/MÉMOIRE** » une fois et « 1 » s'affiche.
- a) Appuyez une fois sur « **DURÉE DE CUISSON** » et appuyez consécutivement sur « 3 », « 2 » et « 0 ».
- b) Appuyez une fois sur « **PUISSANCE** » ; « **PL10** » s'affiche alors. Appuyez ensuite sur « 8 » pour que s'affiche « **PL8** ».
- c) Appuyez sur « **DÉMARRER/+30SEC.** » pour enregistrer la configuration; vous entendez alors un bip sonore et le four à micro-ondes revient en mode d'attente. Si vous appuyez sur « **DÉMARRER/+30SEC.** » à nouveau, la procédure est alors enregistrée sous la mémoire 1. Pour utiliser les paramètres de la mémoire 1 à partir d'un mode d'attente, appuyez sur « **0/MÉMOIRE** » une fois pour afficher « 1 », appuyez ensuite sur « **DÉMARRER/+30SEC.** » pour lancer la programmation.

REMARQUE : Si vous n'avez plus d'électricité ou si vous débranchez votre four à micro-ondes, vous devrez reprogrammer vos mémoires car elles auront été perdues.

- 2) Pour configurer la mémoire 2, appuyez sur « **0/MÉMOIRE** » deux fois pour afficher « 2 » et répétez les étapes susmentionnées. Pour utiliser les paramètres de la mémoire 2 à partir d'un mode d'attente, appuyez sur « **0/MÉMOIRE START/+30SEC.** » pour lancer la programmation.

FONCTIONNEMENT

CUISSON EN PLUSIEURS ÉTAPES

Un maximum de 2 étapes peut être configuré pour la cuisson. Dans une cuisson à plusieurs étapes, si une des étapes est la décongélation, cette étape doit automatiquement être la première.

REMARQUE: La cuisson automatique ne peut fonctionner dans une cuisson à plusieurs étapes.

Pour configurer une fonction de cuisson à deux étapes: Par exemple, si vous souhaitez cuire à une puissance de 80 % pendant cinq minutes et à une puissance 60 % pendant 10 minutes;

- a) Appuyez une fois sur « DURÉE DE CUISSON », et appuyez ensuite sur « 5 », « 0 », « 0 » pour configurer la durée de cuisson à 5 minutes.
- b) Appuyez une fois sur « PUISSANCE », appuyez ensuite sur « 8 » pour sélectionner la puissance de micro-ondes à 80 %.
- c) Appuyez une fois encore sur « DURÉE DE CUISSON », appuyez ensuite sur « 1 », « 0 », « 0 », « 0 » pour configurer la durée de cuisson à 10 minutes.
- d) Appuyez une fois encore sur « PUISSANCE », appuyez ensuite sur « 6 » pour sélectionner la puissance de micro-ondes à 60 %
- e) Appuyez sur « DÉMARRER/+30SEC.» pour démarrer la cuisson à deux étapes.

DEMANDE

Si vous souhaitez savoir à quelle puissance vos aliments sont actuellement cuits;

- 1) Pendant le fonctionnement du four, appuyez sur « HORLOGE »; la DEL affiche alors l'horloge pendant trois secondes.
- 2) Appuyez sur « PUISSANCE » pour connaître la puissance de cuisson de votre four; la puissance actuelle du four s'affiche alors. Après trois secondes, l'affichage revient au mode d'affichage de la durée de cuisson restante.

REMARQUE: En mode multi-étapes, vous pouvez déterminer le niveau de puissance en respectant les étapes suivantes.

CONFIGURATION DU MODE DE VERROUILLAGE-SÉCURITÉ

POUR VERROUILLER LE FOUR : Lorsque le four ne fonctionne pas, appuyez pendant trois secondes sur la touche « ARRÊT/EFFACER », vous entendez alors un long bip sonore, indiquant que le four est en mode verrouillage pour la sécurité des enfants; la DEL affiche « **00:00** ».

POUR DÉVERROUILLER LE FOUR : Lorsque le four est en mode Verrouillage, appuyez pendant trois secondes sur la touche « ARRÊT/EFFACER »; vous entendez alors un long bip sonore vous indiquant que le four est alors en mode de fonctionnement.

SOINS ET ENTRETIEN

- 1) Éteignez le four et retirez la fiche de courant de la prise murale avant de nettoyer celui-ci.
- 2) Conservez l'intérieur du four propre. Lorsque la nourriture éclabousse ou coule sur les parois du four, essuyez avec un chiffon humide. On peut utiliser un détergent doux si le four est très sale. Évitez d'utiliser un vaporisateur ou tout autre type de nettoyant agressif car ils pourraient tacher, laisser des traces ou ternir la surface de la porte.
- 3) Les surfaces extérieures doivent être nettoyées à l'aide d'un chiffon humide. Pour éviter d'endommager les pièces à l'intérieur du four, ne laissez pas de l'eau pénétrer dans les ouvertures de ventilation.
- 4) Essuyez les deux faces du hublot à l'aide d'un chiffon humide pour éliminer tout liquide déversé ou toute éclaboussure.
- 5) Évitez d'asperger d'eau le panneau de commande. Nettoyez avec un chiffon humide, doux. Lorsque vous nettoyez le panneau de commande, laissez la porte ouverte pour éviter la mise en marche accidentelle du four.
- 6) Lorsque la vapeur s'accumule à l'intérieur de la porte du four ou sur le pourtour extérieur, essuyez celle-ci à l'aide d'un chiffon doux. Ceci peut arriver lorsque le four à micro-ondes fonctionne dans un environnement très humide; ceci est normal.
- 7) Il est à l'occasion nécessaire de retirer le plateau tournant en verre pour le nettoyer. Nettoyez le plateau dans de l'eau tiède et savonneuse ou dans un lave-vaisselle.
- 8) L'anneau qui assure la rotation du plateau et la partie inférieure du four devraient être nettoyés régulièrement afin d'éviter qu'ils fassent trop de bruit. Nettoyez simplement la surface inférieure du four avec un détergent doux. On peut laver l'anneau à l'eau tiède savonneuse ou dans un lave-vaisselle. Veillez à remettre l'anneau à sa place lorsque vous le retirez du four pour le nettoyer.
- 9) Pour éliminer les odeurs de votre four, mélangez une tasse d'eau avec le jus et l'écorce d'un citron dans un bol profond et placez ce bol pendant 5 minutes dans le four. Essuyez-le à fond et séchez à l'aide d'un chiffon doux.
- 10) S'il vous faut remplacer l'ampoule du four, consultez un distributeur qui effectuera la tâche.
- 11) Lorsque vous nettoyez les surfaces de la porte et du four qui sont en contact lorsque vous fermez la porte, utilisez du savon ou du détergent doux, non abrasif et appliquez-le à l'aide d'une éponge ou d'un chiffon doux.

Danby® Designer

Model • Modèle
DMW111KSSDD

For service, contact your nearest service depot or call:

1-800-26-Danby®
(1-800-263-2629)

to recommend a depot in your area.

Pour le service après-vente, contactez votre centre de service le plus près ou téléphonez au :

1-800-26-Danby®
(1-800-263-2629)

afin de connaître l'atelier le plus près de chez vous.

Microwave Oven

The model number can be found on the serial plate located on the back panel of the unit.

All repair parts are available for purchase or special order when you visit your nearest service depot. To request service and/or the location of the service depot nearest you, call the TOLL FREE NUMBER.

When requesting service or ordering parts, always provide the following information:

- **Product Type**
- **Model Number**
- **Part Description**

Four à micro-ondes

Le numéro du modèle se trouve sur la plaque de série, sur le panneau arrière de l'appareil.

Toutes les pièces de réparation sont disponibles à l'achat ou sur commande spéciale lorsque vous visiterez votre atelier de service. Afin de demander une réparation ou de connaître l'atelier de réparation le plus près de chez vous, appelez au NUMÉRO SANS FRAIS.

Afin de demander une réparation ou de commander des pièces, soyez toujours prêt à fournir les renseignements suivants :

- **Type de produit**
- **Numéro de modèle**
- **Description de la pièce**

Danby Products Limited, Guelph, Ontario Canada N1H 6Z9
Danby Products Inc., Findlay, Ohio USA 45840

Free Manuals Download Website

<http://myh66.com>

<http://usermanuals.us>

<http://www.somanuals.com>

<http://www.4manuals.cc>

<http://www.manual-lib.com>

<http://www.404manual.com>

<http://www.luxmanual.com>

<http://aubethermostatmanual.com>

Golf course search by state

<http://golfingnear.com>

Email search by domain

<http://emailbydomain.com>

Auto manuals search

<http://auto.somanuals.com>

TV manuals search

<http://tv.somanuals.com>