



Operator's Manual

Corporate Headquarters

4501 Parkway Commerce Blvd.
Orlando, FL 32808
Phone: 407-578-8007
Fax: 407-578-8377



Asia-Pacific

19 Loyang Way
#01-01 CILC Building
Singapore 508724
Phone: +65 542-2611
Fax: +65 542-3611

Datamax International

Herbert House
12 Elizabeth Way, Pinnacles
Harlow, Essex CM19 5FE UK
Phone: +44 1279 772200
Fax: +44 1279 424448

Copyright Information:

CG Triumvirate is a trademark of Agfa Corporation.

CG Times based upon Times New Roman under license from the Monotype Corporation.

Windows and Windows NT are trademarks and Microsoft is a registered trademark of Microsoft Corporation.

NetWare and Novell are registered trademarks of Novell, Inc.

Ethernet is a registered trademark of Xerox Corporation.

All other brand and product names are trademarks, service marks, registered trademarks, or registered service marks of their respective companies.

Firmware (Software) Agreement

The enclosed Firmware (Software) resident in the Printer is owned by Licensor or its suppliers and is licensed for use only on a single printer in the user's Trade or Business. **The User agrees not to, and not to authorize or permit any other person or party to duplicate, or copy the Firmware or the information contained in the non-volatile or programmable memory.** The firmware (Software) is protected by applicable copyright laws and Licensor retains all rights not expressly granted. In no event will Licensor or its suppliers be liable for any damages or loss, including direct, incidental, economic, special, or consequential damages arising out of the use or inability to use the Firmware (Software).

Information in this document is subject to change without notice and does not represent a commitment on the part of Datamax Barcode Products Corporation. No part of this manual may be reproduced or transmitted in any form or by any means, for any purpose other than the purchaser's personal use, without the expressed written permission of Datamax Corporation.

All rights reserved. Printed in the United States of America.

© Copyright 2002 by Datamax Corporation

Part Number: 88-2241-01

Revision: H

Agency Compliance and Approvals:



UL1950 Information Technology Equipment
C22.2 No. 950-M93



EN60950

For 230 Volt Operation (Europe): Use a cord set, marked “HAR,” consisting of a min H05VV-F cord which has a minimum 0.75 square mm diameter conductors, provided with an IEC 320 receptacle and a male plug for the country of installation rated 6A, 250V

Für 230 Volt (Europa): Benützen Sie ein Kabel, das mit “HAR” markiert ist, bestehend mindestens aus einem H05VV-F Kabel, das mindestens 0,75 Quadratmillimeter Drahtdurchmesser hat; sowie eine IEC320 Steckdose und einen für das Land geeigneten Stecker, 6A, 250 Volt.



As an Energy Star Partner, the manufacturer has determined that this product meets the Energy Star guidelines for energy efficiency.



The manufacturer declares under sole responsibility that this product conforms to the following standards or other normative documents:

EMC: EN 55022 (1993) Class B
EN 50024 (1998)

Safety: This product complies with the requirements of
EN 60950/All:1997



Gost-R



Resolution S.I.C. & M., No. 799/99

FCC: This device complies with FCC CFR 47 Part 15 Class A.

Note: This equipment has been tested and found to comply with the limits for a Class A digital device, pursuant to Part 15 of the FCC Rules. These limits are designed to provide reasonable protection against harmful interference when the equipment is operated in a commercial environment. This equipment generates, uses, and can radiate radio frequency energy, and if not installed and used in accordance with the instructions in this manual, it may cause harmful interference to radio communications. Operation of this equipment in a residential area is likely to cause harmful interference in which case the user will be required to correct the interference at his own expense.

DECLARATION OF CONFORMITY

(In accordance with EN 45014)

We, **Datamax Corporation**
4501 Parkway Commerce Boulevard
Orlando, Florida 32808

declare under our sole responsibility that the product,

Type of Equipment: Thermal Transfer Printer
Model Number: DMX-I-4xxx

to which this declaration relates is in conformity with the following standards or other normative documents:

Safety: The product complies with the requirements
of the Low Voltage Directive 73/23/EEC,
EN 60950/A11: 1997

EMC: EN 55022 (1993) Class B
EN 55024 (1998)
EN 61000-4-2 (1995), 4kV CD
EN 61000-4-3 (1996), 3 V/m, (80%) AM
EN 61000-4-4 (1995), 500V Signal Lines
1kV AC Power Lines
EN 61000-4-5 (1995), 1kV
EN 61000-4-6 (1996), 3V (80%) AM
EN 61000-4-8 (1994), 1 A/M
EN 61000-4-11 (1994)
EN 61000-3-2 (1995)
EN 61000-3-3 (1995)

following the provision of EMC directive 89/336/EEC.

I, the undersigned, hereby declare that the equipment specified above conforms to the directives and standards as specified.


Signature and Date

Marvin Davis
Chief Executive Officer
Typed Name and Title

European
Contact: Datamax International
Herbert House, 12 Elizabeth Way
Pinnacles, Harlow
Essex, CM19 5FE, U.K.

Important Safety Instructions:



The exclamation point within an equilateral triangle is intended to alert the user to the presence of important operating and maintenance instructions in the literature accompanying this unit.

This unit has been carefully designed to provide years of safe, reliable performance. However, as with all electrical equipment, there are some basic precautions that you should follow to avoid personal injury or damage to the printer:

- Before using the printer, carefully read all the installation and operating instructions.
- Observe all warning instruction labels on the printer.
- Install the printer on a flat, firm surface.
- Do not place the printer on or near a heat source.
- To protect your printer from overheating, make sure no openings on the printer are blocked.
- Never insert anything into the ventilation slots and openings of the printer.
- Do not use the printer near water or spill liquid into it.
- Ensure that the AC power source matches the ratings listed for the printer. (If unsure, check with your dealer or local utility provider.)
- Do not place the AC power cord where it can be stepped on. If the AC power cord becomes damaged or frayed, replace it immediately.
- If the printer ever needs repair, consult only qualified, trained service personnel. No user-serviceable parts are inside; do not remove the cover.

Contents

Printer Overview

1.0	About the Printer.....	1
1.0.1	Standard Features.....	2
1.0.2	Optional Features	2
1.1	Option Installation.....	6
1.2	Hardware Components	7

Getting Started

2.0	Unpacking the Printer.....	9
2.0.1	Inspection	10
2.0.2	Additional Requirements	10
2.1	Media and Ribbon Selection	11
2.1.1	Print Quality Controls	11

Setting Up the Printer

3.0	Installation.....	13
3.0.1	Communications.....	14
3.1	Loading Media	17
3.1.1	Roll Media.....	18
3.1.2	Fan-Fold Media	19
3.2	Media Sensor Adjustment.....	20
3.3	Loading Ribbon	21
3.4	Quick Media Calibration.....	23
3.5	Outputting Labels	24
3.5.1	Rewinding.....	24
3.5.2	On-Demand Dispensing.....	26
3.5.3	Cutting	28

Using the Front Panel

4.0	Operation.....	29
4.0.1	Ready Mode: Normal Operation.....	29
4.0.2	Menu Mode: Configuration.....	30
4.0.3	Quick Test Mode: Print Test Labels.....	31
4.0.4	Indicator Lights.....	32
4.0.5	LCD.....	32
4.0.6	Resetting the Printer.....	33
	4.0.6.1 Soft Reset.....	33
	4.0.6.2 Level One Reset.....	33
	4.0.6.3 Level Two Reset.....	33
4.1	The Menu System.....	34
4.1.1	Entrance and Exit Prompts.....	35
4.1.2	Media Settings.....	36
4.1.3	Print Control.....	37
4.1.4	Printer Options.....	39
4.1.5	System Settings.....	43
4.1.6	Communications.....	53
4.1.7	Diagnostics.....	58
4.2	Display Messages.....	60
4.2.1	User Prompts and Condition Messages.....	60
4.3	Quick Test Mode.....	62
4.3.1	Print Quality Label.....	62
4.3.2	Configuration Label.....	63
4.3.3	Quick Ribbon Test Label.....	64
4.3.4	Dot Test Pattern Label.....	65
4.3.5	Validation Label.....	66
4.3.6	User Defined Label.....	66

Adjusting and Maintaining the Printer

5.0	Media Sensor Calibration.....	67
5.0.1	Standard Calibration.....	67
5.0.2	Advanced Entry Calibration.....	71
5.1	Printhead Adjustments.....	77
5.1.1	Leveling Cam Adjustment.....	77
5.1.2	Burn Line Adjustment.....	78

- 5.2 Printhead Replacement..... 79
- 5.3 Maintenance Schedule..... 80
 - 5.3.1 Cleaning the Printhead..... 81
 - 5.3.2 Cleaning the Platen Roller 82
 - 5.3.3 Cleaning Interior and Exterior Surfaces..... 83
- 5.4 Application Program Updates 83
 - 5.4.1 Updating from the Ready Mode..... 84
 - 5.4.2 Updating from the Download Mode 85
 - 5.4.3 Possible Problems during an Update..... 86
- 5.5 Boot Loader Program Updates 87

Troubleshooting

- 6.0 Problem Resolution..... 89
- 6.1 Fault and Warning Messages 93
- 6.2 Hex Dump Mode 101

Printer Specifications

- 7.0 General Specifications 103
- 7.1 Media and Ribbon Requirements 105

Appendix A

- ASCII Control Code Chart..... 107

Appendix B

- Available Fonts and Bar Codes 109

Appendix C

- Module Assignments..... 117
- Print Resolutions and Maximum Label Widths..... 117
- Available Speeds and Default Settings..... 118

Appendix D

- GPIO Port Description..... 119

Appendix E

Menu System Multi-Language Support	121
Advance File Handling Information.....	124

Appendix F

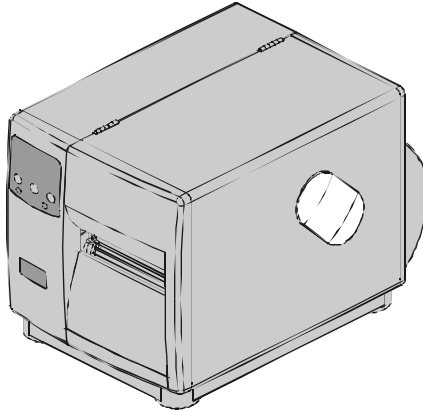
Saving a Configuration File	127
-----------------------------------	-----

Warranty Information	129
-----------------------------------	-----

Glossary	133
-----------------------	-----



Printer Overview



1.0 About the Printer

Congratulations on your purchase of an I-Class printer. The I-Class family, hereafter referred to as ‘the printer’, blends the rugged durability of die-cast construction with state-of-the-art electronics and user-friendly features to redefine the standard in industrial thermal printers.

This manual provides all the information necessary for everyday printer operation. To begin printing labels, refer to the instructions provided with the label-creation software you have chosen. If you wish to write custom label programs, a copy of the *I & W Class Programmer’s Manual* is included on the enclosed Datamax Accessories CD; otherwise, a copy may be downloaded from our web site at <http://www.datamaxcorp.com>.

The printer’s model number is located on the Serial Tag on the back of the unit. Each model offers many standard and optional features, as detailed in the following subsections.

1.0.1 Standard Features

This printer offers the following standard features:

I-Class Standard Features Listing						
Feature	Model					
	4206	4208	4212	4308	4406	4604
Printhead Density (Dots Per Inch)	203	203	203	300	406	600
Direct Thermal Printing	X	X	X	X	X	X
On-Demand and Batch Printing	X	X	X	X	X	X
Rotating Media Hub	X	X	X	X	X	X
Media Tear Bar	X	X	X	X	X	X
Fan-fold media capability	X	X	X	X	X	X
Flash memory	1MB	1MB	2MB	2MB	2MB	2MB
SDRAM	8MB	8MB	16MB	16MB	16MB	16MB
RS-232 interface port	X	X	X	X	X	X
IEEE 1284 Compliant parallel interface port	X	X	X	X	X	X
Liquid Crystal Display	X	X	X	X	X	X
EFIGS (multi-language display and configuration label support)	X	X	X	X	X	X
AGFA Scalable font engine	X	X	X	X	X	X

1.0.2 Optional Features (available except as noted)

The printer offers the following optional features:

Cutter, Light-Duty (Backing-Only)

A rotary-type mechanism to automatically cut material with a maximum thickness of .005" (.127 mm) into minimum lengths of 1.25 inches (31.8 mm). An adjustable tray to collect up to 200 cut labels and tags is also available.

Cutter, Standard Duty

A rotary-type mechanism to automatically cut material with a maximum thickness of .010" (.254 mm) into minimum lengths of 1.25 inches (31.8 mm). An adjustable tray to collect up to 200 cut labels and tags is also available.

DMXNet

The DMXNet Print Server Card is an internal Network Interface Controller (NIC) that enables the printer to provide Ethernet connectivity. Features include:

- Automatic selection of 10Base2 (Thinnet) or 100BaseT Fast Ethernet connection.
- Integral HTTP Server to allow monitoring and management from a standard Web browser program.
- Peer-to-Peer (serverless) discovery and printing from Windows 95/98/ME/XP or Windows NT/2000 workstations without a Novell file server present.
- FTP printing to allow printing directly from a Web browser or other FTP client.
- Dynamic Domain Name Service (DDNS).
- Lightweight Directory Access Protocol (LDAP).
- Novell “YES” certified.
- Novell NetWare PSERVER on both bindery based and Novell Directory Services (NDS).
- LPR/LPD over TCP/IP for UNIX platforms and Microsoft’s Windows.
- Raw sockets support over selectable TCP/IP port with filters for selected UNIX environment.
- IP and IPX SNMP support of MIB-2, proprietary NIC MIB and public and proprietary (private) Printer MIB.
- SNMP traps to alert administrators of printer errors (paper/ribbon out, head up, etc).
- E-mail notification of printer errors to specified addresses.
- Universal Plug and Play (UPnP).
- FTP download allows users to upgrade the interface’s Flash memory.

External Keyboard *(specify voltage / country requirement when ordering)*

A portable keyboard / display terminal, the DMX Passport™, for stand-alone printing.

External Media Rewinder (specify voltage requirement when ordering)

A precision-crafted, bi-directional rewinding mechanism with device-dependant features:

- DMXREW1 – accommodates 1 to 4-inch (25 to 101 mm) diameter cores; accepts a maximum label width of 4.5 inches (114 mm); and, rewinds to a 8-inch (203 mm) maximum outer diameter at 10 inches per second.
- DMXREW2 – accommodates 3-inch (76 mm) diameter cores; accepts a maximum label width of 9.5 inches (241 mm); and, rewinds to a 12-inch (304 mm) maximum outer diameter at 30 inches per second.

Font Expansion Card (cannot be used with the I/O Expansion card)

A slide-in circuit card assembly with 8MB Flash memory expansion for International Language Printing Capability (ILPC) and/or additional fonts and graphics. ILPC consists of one of the following:

- CG-Times (Western European) Scalable font
- Kanji Gothic B Scalable font
- Simplified Chinese GB Scalable font
- Korean Hangul Scalable font

ILPC – CG Times Firmware

The firmware can be upgraded to include the Datamax ILPC (International Language Printing Capability) CG Times font. This supports the Datamax Enhanced Language Code Pages.

Internal Rewinder

An internal mechanism to wind six-inch outer diameter rolls of printed labels, or the label backing material for the Peel and Present option.

I/O Expansion Card (specify features at time of order)

The standard features* of this slide-in circuit card assembly include:

- General purpose (GPIO) interface for external printer and device control.
- Time and date calendar (Real Time Clock) function for label time-stamping.

An optional feature also offers:

- 8MB Flash memory expansion for graphics and/or additional fonts including International Language Printing Capability (ILPC).

Linear Scanner

An integrated fixed-position CCD device featuring 32-bit microprocessor technology for high-speed operation and superior accuracy to ensure the

readability of printed bar codes. Minimum bar code “X” dimension is 10 mils; maximum width is 4 inches (101 mm).

Peel and Present Mechanism *(requires the Internal Rewind option)*

An output control device that automatically separates printed labels from the backing material and allows subsequent printing to occur only after the removal of a previously printed label. Minimum label length is 1.5 inches (38 mm).

Present Sensor

An output control device that allows subsequent printing to occur only after the removal of a previously printed label.

RS-422 Serial Interface**

Single-drop interface hardware to support greater distances from the host at communication rates of up to 38,400 baud.

Thermal Transfer *(specify configuration at time of order)*

A printing method that uses ribbon to produce exceptional image clarity, as compared to most direct thermal media types. This option must be specified for use with either ‘coated side in’ ribbon or ‘coated side out’ ribbon.

Twinax/Coax Interface

A slide-in circuit card assembly that provides connectivity to AS/400 and System/3X Twinax host system or 3270-type host system. Cable included.

USB Port

A slide-in circuit card that provides the printer with a Universal Serial Bus, Version 1.1, for Windows printing environments only.

*Item unavailable for the I-4206.

**Item unavailable for the I-4206 and I-4208 models.

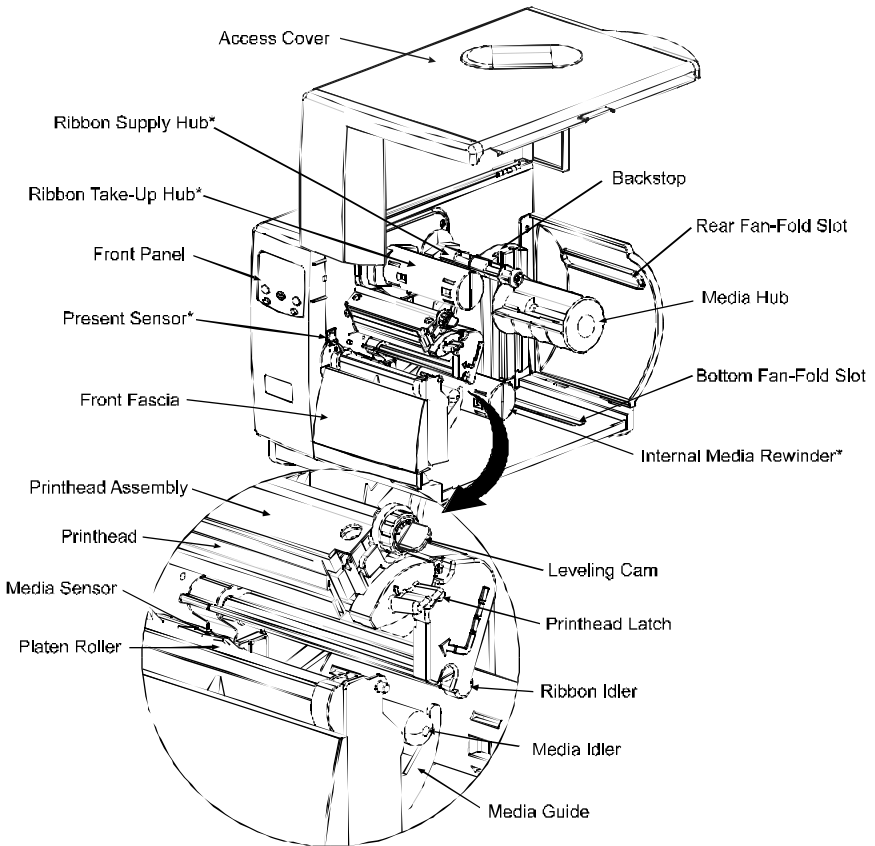
1.1 Option Installation

The following table lists the available options and the recommended qualification level of the installer. For detailed information concerning a specific option, contact your dealer or Datamax Technical Support.

Experience Level for Options Installation	
Option	Recommended Installer
Cutters and trays: Light / Standard Duty	Operator
DMXNet	DMX Certified Technician
External Keyboard	Operator
External Media Rewinder	Operator
Font Expansion Card	DMX Certified Technician
ILPC	DMX Certified Technician
Internal Rewinder	Operator
I/O Expansion Card	DMX Certified Technician
Linear Scanner	Factory only
Peel and Present Mechanism	Operator
Present Sensor	Operator
RS-422 Serial Interface	DMX Certified Technician
Thermal Transfer Assembly	Operator
Twinax/Coax Interface	DMX Certified Technician
USB Port	DMX Certified Technician

1.2 Hardware Components

The following drawing highlights the user-assessable components of the printer. Items denoted with an asterisk (*) are optional equipment.





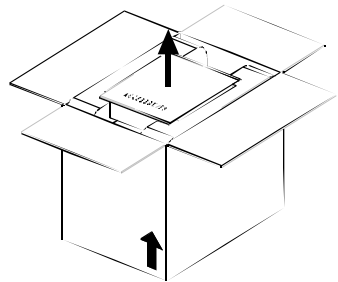
Getting Started

2.0 Unpacking the Printer

Inspect the shipping container(s) for damage; if evident, immediately notify the shipping company to report the nature and extent of the damage.

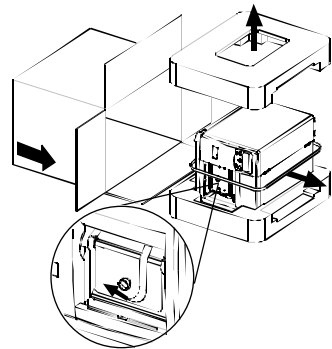
The printer has been carefully packaged to avoid damage during transit. In order to operate the printer, you will need to remove the tape and foam placed there for shipment. Complete the following steps prior to connecting power or attempting to load media.

- 1 With the arrow on the box pointing up, open the box.



- 2 Remove Accessories Box.

- 3 Tilt the printer on its side and slide the printer out of its box.



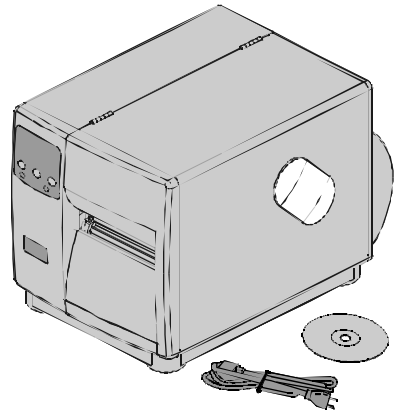
- 4 Place the printer in an upright position and remove the packing foam, plastic bag, and tape.

Note: It is a good idea to save the carton and packaging materials in the event that future shipment is required.

2.0.1 Inspection

After removing the printer from the packaging material, check the contents of the package. In addition to this manual, the following items should be included:

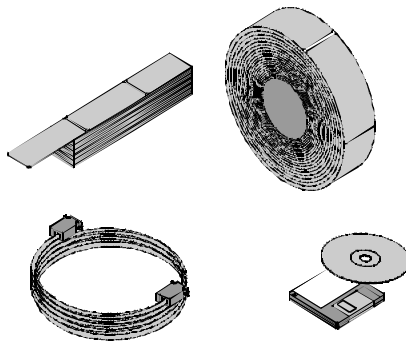
- Printer
- Power Cord
- Accessories CD
- Any special or additionally purchased items.



2.0.2 Additional Requirements

The following items are necessary to produce labels. Contact your dealer or a customer support representative for advice on which media and software may best suit your needs.

- A serial or parallel interface cable; see Section 3.0.1
- Applicable media; see Section 2.1 for suggestions and Section 7.1 for requirements.
- Applicable software



2.1 Media and Ribbon Selection

The following is a limited overview of media characteristics. For complete information and advice regarding your specific application needs, always consult a qualified media specialist or a Datamax Media Representative.

Media Selection – Direct Thermal

Consider three important factors when selecting direct thermal stock:

The abrasive qualities of the material that covers the thermal reactive layer of the paper.

The ability of that layer to control the chemical reaction that occurs when the image is “burned”.

The amount of heat required to create an image on the paper.

Media Selection – Thermal Transfer

Consider three important factors when selecting thermal transfer media combinations:

The label top coating and ribbon combinations affect image quality.

Ribbon backcoating is highly recommended. It provides protection for the printhead, and may also provide an anti-static coating.

For additional printhead protection, use ribbon with a slightly greater width than the overall width of the label and backing material.

2.1.1 Print Quality Controls

The printer provides flexibility with a comprehensive set of print controls. Of these, the amount of heat applied by the printhead and the rate of media movement will have the most effect on the printed images. Low cost direct thermal stocks, for example, have raised reaction temperatures and therefore require higher heat values and slower print speeds to make a clear image on the media. In general, there are three standard methods to control print quality:

The first method is to select the ‘Media Type’ menu setting that matches the media being used. For example, when printing with ribbon use the thermal transfer setting.

The second method is to change the ‘Print Control / Heat’ menu setting (also selectable as ‘Heat Setting’ in most labeling software programs). Increasing this value causes more energy to be transferred to the media,

resulting in a darker image. Conversely, if the image is too dark, reduce this value.

The final method is to change the 'Print Control / Print Speed' menu setting (also selectable as 'Print Speed' in most software programs). Changing the print speed changes the amount of time the media is under the printhead. Slower speeds allow more time and control for energy transfer, while faster speeds will increase throughput, but may require higher heat settings.

Note: Heat and Speed settings can be overridden by host software commands.

You will find that printing barcodes and detailed images on less expensive direct thermal and thermal transfer media at higher speeds can be tricky. At one heat setting, the images will fade and at the next higher heat setting, the images will bleed. This is because the reaction temperature of the media is so high that at higher rates of speed, it cannot react fast enough. To print fine images at higher speed, media with lower reaction or release temperatures are required. On the slower end of the print rate settings, crisper images are possible because the media is not being stretched beyond its limits.

The following table is intended for reference only (for specific application information, consult your media specialist or a Datamax Media Representative).

Direct Thermal Media Type		Print Speed*	Print Energy	
Fasson 300 HD	Direct Thermal Facesheet	10-12**	Medium	
Fasson 300 MD	Direct Thermal Facesheet			
Thermal Transfer Media Type	Ribbon Type	Print Speed*	Print Energy	Image Durability
Great Label TTL	GPR Plus MaxWax IIMAK Versamark	10-12**	Medium	Medium
Coated Paper, Uncoated Paper, Tag Stock, Some Films, Some Synthetics	Wax	2 - 10	Low	Low
Coated Paper, Glossy Paper, Tag Stock, Some Synthetics, Films	Wax/Resin	2 - 8	Medium	High
Synthetics, Films	Resin	4 - 6	High	High

*Values given in inches per second (IPS)

**Highly recommended for optimum print quality at speeds above 10 IPS.



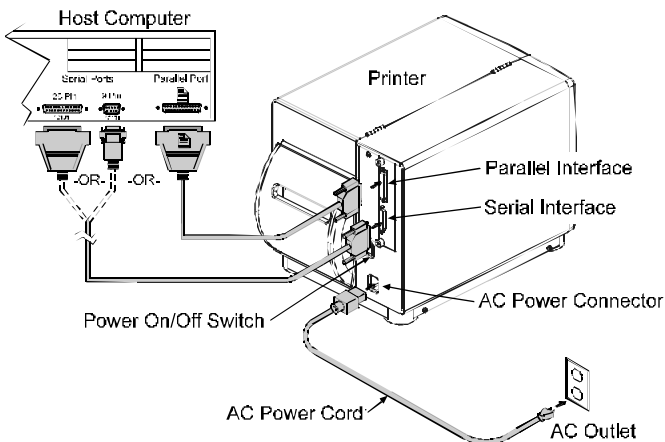
Setting Up the Printer

3.0 Installation

This section explains how to connect the printer, and load it with media and ribbon.

Note: When connecting the AC Power Cord or interface cables to the printer, ensure the Power On/Off Switch is in the 'Off' position.

- 1 Place the printer on a firm, level surface.
- 2 Turn 'Off' the Host Computer and ensure that the Power Switch on the Printer is in the 'Off' position.
- 3 Depending upon your interfacing requirements, connect the appropriate interface cable between Host Computer and Printer; see Section 3.0.1.
- 4 Connect the AC Power Cord to the receptacle on the back of the Printer, and then plug the AC Power Cord into a properly grounded outlet. (The power supply automatically detects and then adjusts to the applied line voltage; see Section 7.0 for the acceptable voltage ranges.)



If connecting the printer to a network or USB port, refer to the additional documentation supplied with that option.

3.0.1 Communications

Using a data detection process, the interface selection occurs automatically in the printer. At power-up, the printer begins monitoring the interface ports for activity. When the host transmits data, the printer port detecting this data is set 'active' and remains active as long as data flow continues. Once the incoming (received) data flow stops and the Host Timeout Value (see Section 4.1.6) is exceeded, the detection process will be repeated. In addition, should the data flow stop before a complete label format is received, the format will be ignored and must be sent to the printer again.

⚡ Note: *To change an active port immediately, cycle the printer power 'Off' and 'On'.*

Parallel Port:

The parallel interface has two menu-selectable modes of operation: uni-directional or bi-directional. Uni-directional mode is forward channel communication and requires a Centronics cable with a 36 pin male connector. Bi-directional mode is IEEE 1284 Compliant, using forward and reverse channel communications. In this mode, data can be sent to the host provided it is also IEEE 1284 Compliant and has supporting software. This mode requires an IEEE 1284 cable with a Centronics 36 pin male connector.

Serial Port:

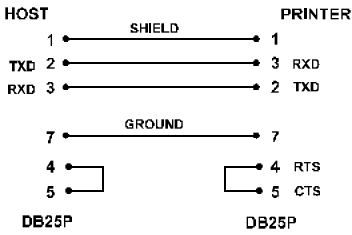
The serial interface supports RS-232C and, if equipped, RS-422 communications. The following list of serial port settings is menu-selectable and must match the host computer's serial port settings; see Section 4.1.6.

- Baud Rate (serial communication speed)
- Word Length
- Word Parity
- Number of Stop Bits
- Handshaking Protocol

In addition to the port settings, the serial interface cable wiring must have specific connections (pin-outs) for proper data exchange between the host and printer. The different serial cable pin-outs, suggested applications, and part numbers are in the following table (contact your reseller for ordering information).

Serial Interface Cable Listing (all models, except as noted)

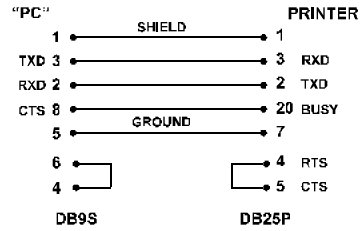
Null Modem (MXM)



Part Number 556000

*For connection to other DCE equipment.
Flow control is only Xon/Xoff.*

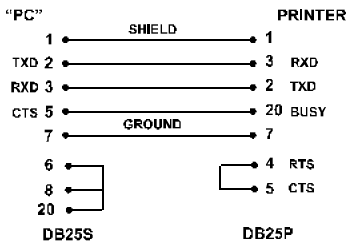
“PC” (DB9P) to Printer



Part Number 556001

*For connection to a PC compatible with
DB9P communication ports. Flow control
can be either Xon/Xoff or CTS/DTR.*

“PC” (DB25P) to Printer



Part Number 556002

*For connection to a PC compatible with
DB25 communication ports. Flow control
can be either Xon/Xoff or CTS/DTR.*

RS-422 Connection*



Part Number N/A

Diagram only provided for reference.

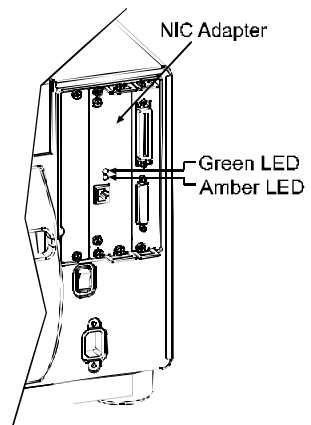
*Not available for the I-4206 and I-4208.

NIC Adapter (optional):

The NIC Adapter has several menu-selectable modes; see Section 4.1.6 for details. Refer to the information provided with the option for connection requirements and detailed operational instructions. The Status Indicators, viewable from the back of the printer, provide a quick operational check.

Normal Operating Conditions:

Green LED – indicates the operating condition. Upon power-up, the LED is ‘On’ indicating that the NIC Adapter is performing self-tests. The LED may also be ‘On’ when awaiting a print job.



When finished with the self-tests, the LED blinks, and may blink again after printer initialization is completed.

Amber LED – generally indicates job activity. When receiving print jobs over the network, the amber LED blinks; it remains ‘Off’ during inactivity.

Error Conditions:

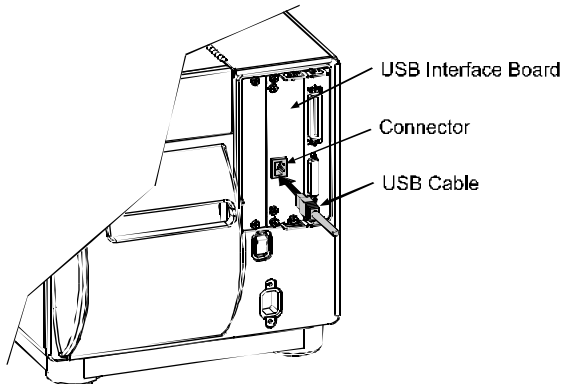
Combinations of blinking LEDs – 1 to 7 amber blinks followed by 1 to 12 green blinks – indicate various hardware failures. See the *DMXNet Resource Manual* for more information.

Note: Following power-up the printer may indicate ‘READY.’ However, the NIC Adapter will NOT be able to receive data until its boot-up process (as denoted by the message ‘DMXNET INITIALIZING’) is complete. This process may take up to two minutes.

USB Port (optional):

The USB Interface is supported under Windows 95/98/2000/ME/XP. Depending upon the operating system of your host computer, installation may differ slightly. Consult the additional documentation supplied with this option for detailed information.

The USB Port is plug and play and operates transparently within the printer; there are no menu-selectable settings or modes.



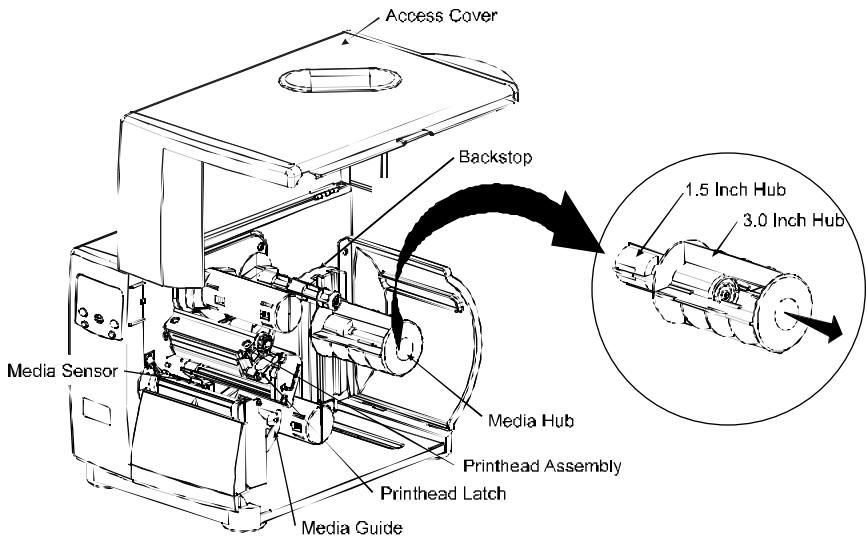
WARNING

The USB Port is a device-end only printer connection. Never connect a keyboard, mouse, modem, etc. into this port. Damage can result.

3.1 Loading Media

Begin loading as follows:

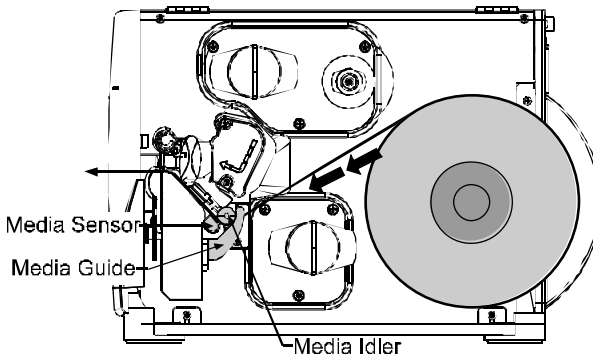
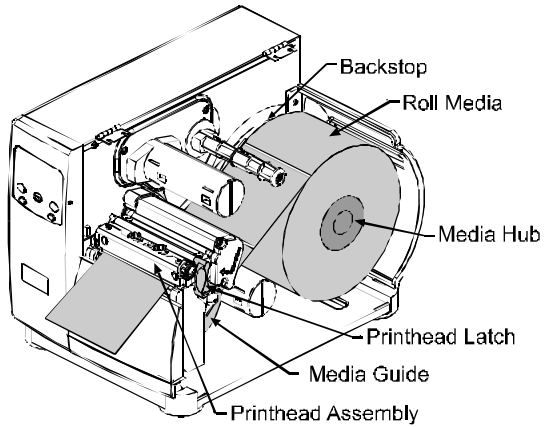
- 1 Raise the Access Cover.
- 2 Rotate the Printhead Latch forward and raise the Printhead Assembly.
- 3 Slide the Media Guide out away from the frame and then lower it to the down position.
- 4 If using roll media, the Media Hub can accept 3.0-inch (76mm) and 1.5-inch (38mm) cores. To use 1.5-inch cores, first slide off the 3 Inch Hub by grasping and then pulling it firmly outward.
- 5 Proceed according to the type of media you are using: go to Section 3.1.1 for Roll Media or go to Section 3.1.2 for Fan-Fold Media.



3.1.1 Roll Media

This loading method is for roll type media applications. To load:

- 1 Slide the Roll Media onto the Media Hub until it rests against the Backstop.
- 2 Route the media as shown: under the Media Idler, through the Media Sensor, then out the front of the printer.
- 3 Raise and slide the Media Guide over until it rests lightly against the edge of the media.
- 4 Position the Media Sensor; see Section 3.2.
- 5 If your application uses thermal transfer media, load ribbon (see Section 3.3); otherwise continue.
- 6 Lower the Printhead Assembly and rotate the Printhead Latch completely back into the locked position. Close the Access Cover.



- 7 Turn 'On' the printer. After 'Ready' is displayed, press and hold the FEED Key until at least one label gap or mark is advanced; see Section 3.4.

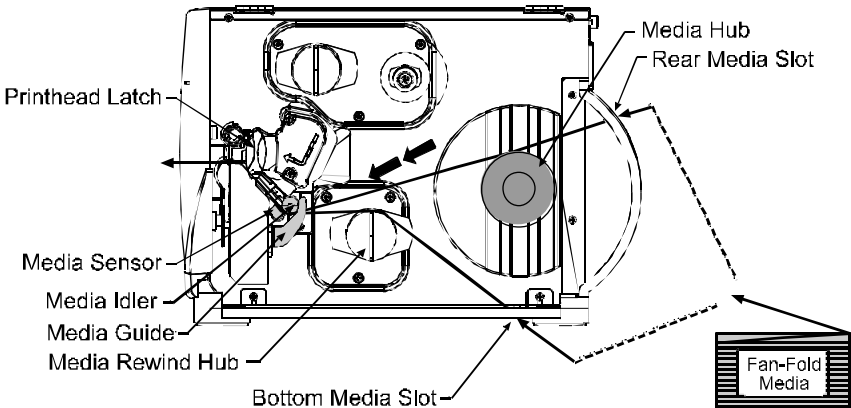


If using less than full width media, adjust the Leveling Cam; see Section 5.1.1.

3.1.2 Fan-Fold Media

This loading method is for tag and fan-fold type media applications. To load:

- ❶ Bring the media in through the Bottom or the Rear Media Slot. (If using reflective stock, ensure that the mark is facedown.)
- ❷ Depending upon the entry point, route the media as shown: if through the Rear Media Slot, route the media over the Media Hub; or, if through the Bottom Media Slot, route the media over the Media Rewind Hub.
- ❸ Continue routing the media under the Media Idler, through the Media Sensor and out the front of the printer.
- ❹ Raise and slide the Media Guide over until it rests lightly against the edge of the media.
- ❺ Position the Media Sensor; see Section 3.2.
- ❻ If your application uses thermal transfer media, load ribbon (see Section 3.3); otherwise continue.
- ❼ Lower the Printhead Assembly and rotate the Printhead Latch completely back into the locked position. Close the Access Cover.



- ❽ Turn 'On' the printer. After 'Ready' is displayed, press and hold the FEED Key until at least one label gap or mark is advanced; see Section 3.4.



If using less than full width media, adjust the Leveling Cam; see Section 5.1.1.

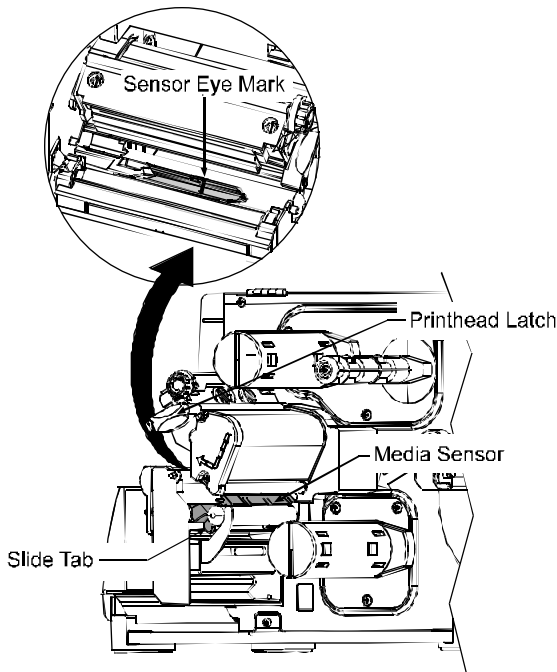
3.2 Media Sensor Adjustment

The Media Sensor needs to be positioned so that the printer can detect the presence of media and the top-of-form (except for continuous stock, where the TOF is set through programming; see Label Length, Section 4.1.2). To adjust:

- 1 With media loaded, as described in Section 3.1.1 or 3.1.2, grasp the Slide Tab and move the Sensor Eye Mark into position over media according to the table below.
- 2 If loading media, return to the media loading instructions.

Media Sensor Selection and Adjustment		
Media Type	Sensor Eye Mark Position	Sensing Required*
Die-cut	Near the middle of the label	Gap
Notched	Centered over the notch	Gap
Reflective	Centered over the black mark	Reflective
Continuous	Near the middle of the media	Continuous

*See Section 4.1.2 for Sensor Type selection.



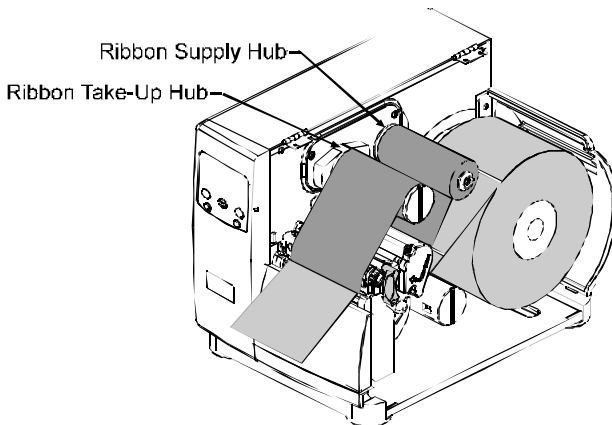
Note: Changes to the start of print position can be made using the Print Control/Row Adjust or Row Offset (see Section 4.1.3).

3.3 Loading Ribbon

Ribbon is required with thermal transfer media. Depending upon the type of Ribbon Supply Hub (see the next page for examples), the printer must use either ribbons with the 'coating side in' or ribbons with the 'coating side out'. To load:

Note: Using a ribbon that is slightly wider than your media (and liner, if any) will help protect against printhead wear.

- 1 With the access cover raised and the printhead assembly up, position the ribbon to be dispensed in the direction appropriate for the Ribbon Supply Hub.
- 2 Slide the ribbon onto the Ribbon Supply Hub until it rests against the hub's flange.
- 3 Route the ribbon under the Ribbon Idler, out the front of the printer and then up around to the Ribbon Take-Up Hub, winding it several times in a clockwise direction to secure it in place.
- 4 If loading media, return to the media loading instructions. Otherwise, lower the Printhead Assembly and rotate the Printhead Latch completely back into the locked position. Close the Access Cover.

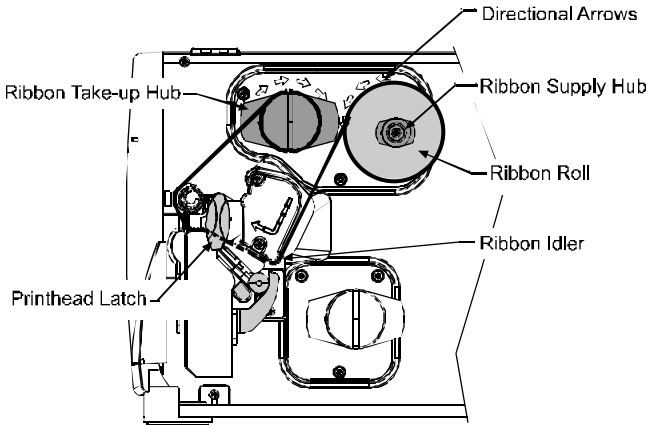


Removal:

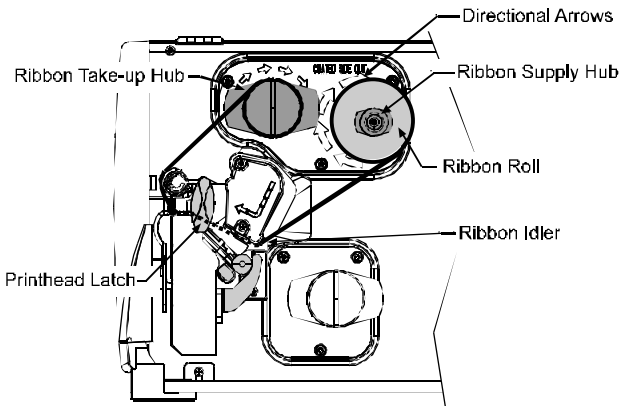
When the supply is exhausted, pull the empty core from the Ribbon Supply Hub and discard it. To remove used ribbon: grasp the Ribbon Take-Up Hub, pull outward, then squeeze to collapse the hub and take off the ribbon.

Note: Directional Arrows near the Ribbon Supply Hub indicate the correct ribbon route. Ribbon types are available with the ink (coating) layer wound 'in' or 'out'. These types are NOT interchangeable for use with the printer.

Ribbon Routing Diagrams



'Coating Side In' Ribbon Supply Hub



'Coating Side Out' Ribbon Supply Hub

3.4 Quick Media Calibration



When 'Uncalibrated' is displayed, follow the Media Sensor Calibration procedure in Section 5.0.

At the factory, the printer is calibrated to sense a wide range of media types. Quick Media Calibration fine-tunes the media sensor for your gap, notch or reflective media application. Note that this is not required if you are using continuous media. Perform this calibration during initial set-up or after changing your media type. To calibrate:

- ❶ Ensure that media is loaded (see Section 3.1), that the Media Sensor is adjusted (see Section 3.2), and that the printer is idle.
- ❷ Press and hold the FEED Key. **The printer will begin advancing media; allow at least one label gap (or mark) to advance under the sensor during this process.**

Upon successful completion, the 'Calibration Completed' message will flash; the printer will feed to the next label TOF and 'Ready' will be displayed. (A 'Warning Low Backing' message may appear if using notched media or media on a transparent liner; however, the calibration was successful).

⚠ Note: *Media containing large gaps may require a change in the 'Paper Out Distance' setting; see Section 4.1.2.*

Calibration Hints:

In certain cases, the printer may have trouble differentiating between the label and liner. If the printer stops feeding in the middle of a label or if 'Cannot Calibrate' is displayed, try calibrating over a longer distance:

Press and hold the FEED Key to allow two or more gaps (or marks) to advance under the sensor.

If this method fails, see Media Sensor Calibration (Section 5.0).

3.5 Outputting Labels

In addition to directly outputting labels from the printer, there are several optional output configurations available.

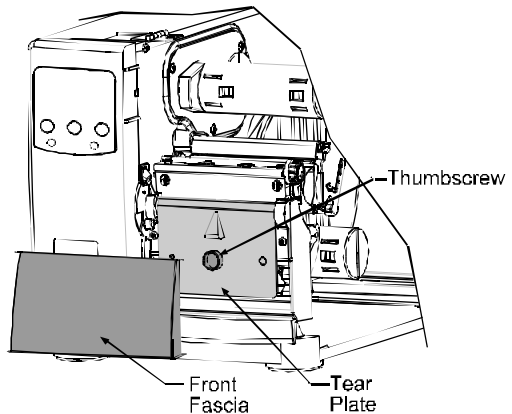
3.5.1 Rewinding

With the Internal Media Rewinder option, the printer can wind the printed labels and backing material. To rewind labels:

Note: When winding labels, do not allow the outer diameter of the roll to exceed 6 inches (154 mm) on the Media Rewind Hub.

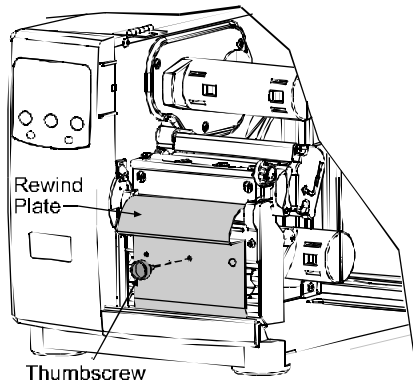
- 1 Remove the Front Fascia.

- 2 Remove the Tear Plate by first removing the Thumbscrew.



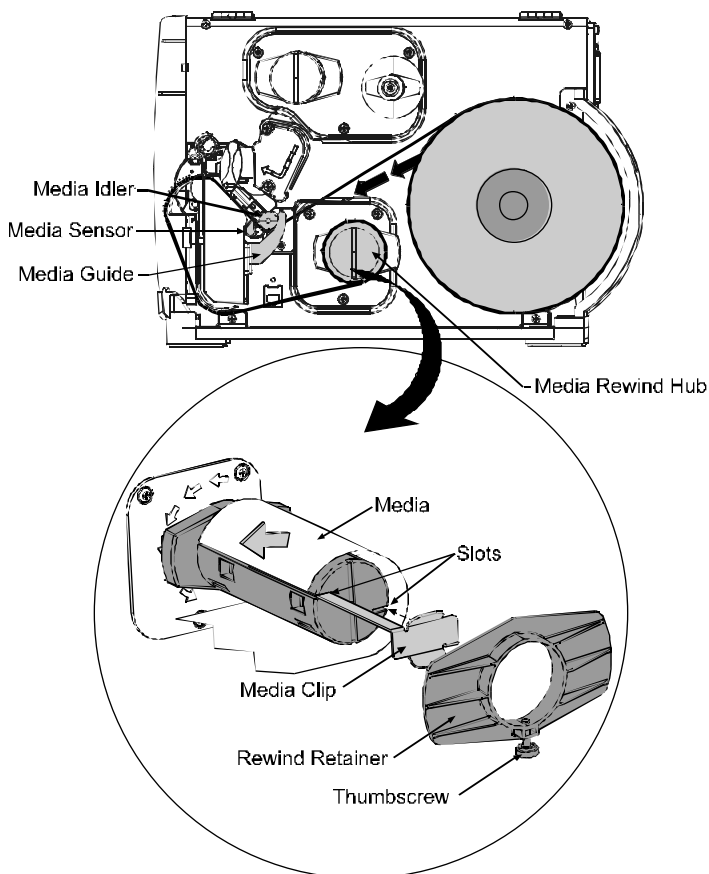
- 3 Position the Rewind Plate on the printer and install and tighten the Thumbscrew.

- 4 If installed, remove the Rewind Retainer and Media Clip from the Media Rewind Hub (see drawing next page).



- 5 Load media as described in Section 3.1, press the FEED Key and advance approximately 20 inches (51 cm) of media.

- ⑥ Route the media back to the Media Rewind Hub, as shown below.
- ⑦ Insert the leading edge into a Slot on the Media Rewind Hub then insert the Media Clip into a Slot to secure it in place.
- ⑧ Position the Rewind Retainer lightly against the edge of the media on the Media Rewind Hub. Tighten the Thumbscrew to secure the retainer in place.
- ⑨ Manually rotate the Media Rewind Hub to remove any slack in the media. Close the Access Cover.



Removal:

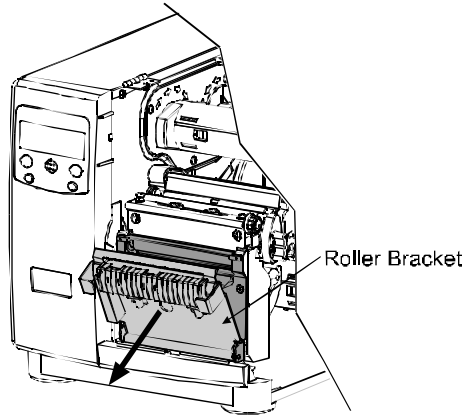
Remove the Rewind Retainer and Media Clip. Grasp the end of the hub. While pulling outwardly, squeeze the hub together to collapse it and then slide off the labels.

3.5.2 On-Demand Dispensing

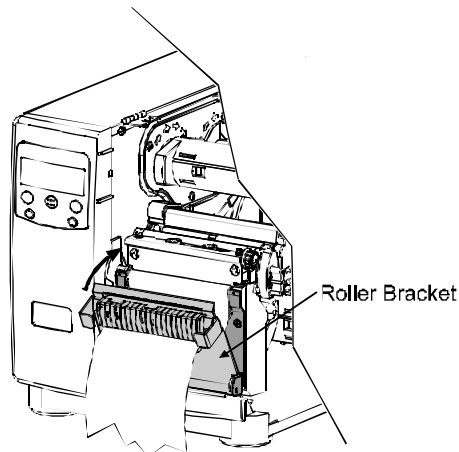
When equipped with the Peel and Present option, labels are dispensed then separated automatically from the liner for immediate application.

❶ With the Peel and Present Mechanism installed on the printer, pull outward on the Latch and allow the Roller Bracket to swing forward.

❷ With media loaded as described in Section 3.1, press the FEED Key to advance approximately 20 inches (51 cm) of media. Remove all of the labels from the backing material.

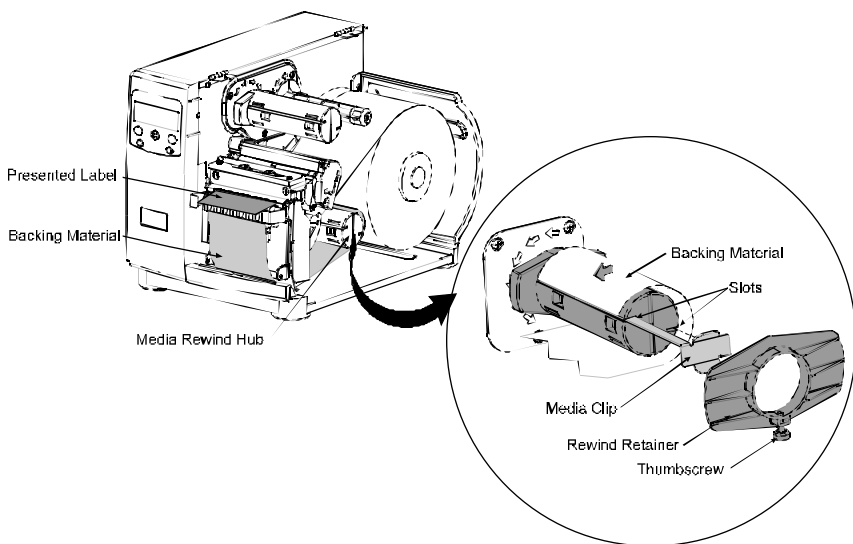


❸ Route the backing material through the Roller Bracket as shown (the backing should go under the top black roller, then out).



❹ Raise the Roller Bracket up to its latched position.

- 5 If installed, remove the Media Clip and the Rewind Retainer from the Media Rewind Hub. Route the Backing Material around the Media Rewind Hub, as shown.
- 6 Insert the leading edge into a Slot on the Media Rewind Hub then insert the Media Clip into a Slot to secure it in place.
- 7 Position the Rewind Retainer lightly against the edge of the backing on the Media Rewind Hub. Tighten the Thumbscrew to secure the retainer in place.
- 8 Manually rotate the Media Rewind Hub to remove any slack in the media. Close the Access Cover.



For on-demand printing, ensure that the Present Sensor has been enabled; see Section 4.1.4.

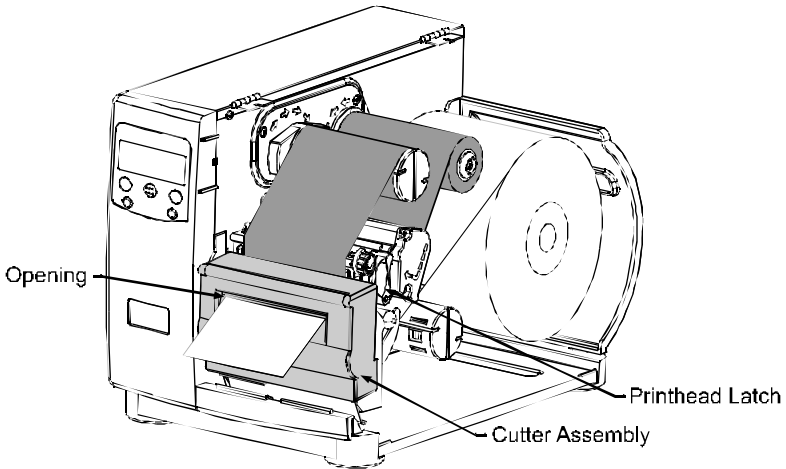
Removal:

Remove the Rewind Retainer and Media Clip. Grasp the hub. Pull the hub outward then squeeze to collapse it and slide off the backing material.

3.5.3 Cutting

When equipped with a Cutter, cut labels are dispensed automatically from the printer. To load media on a cutter equipped printer

- 1 Ensure the leading edge of media is clean, straight and firmly attached to the liner.
- 2 Load media according to Section 3.1, except route the media out through the Opening of the Cutter Assembly.



For label cutting, ensure that the Cutter has been enabled; see Section 4.1.4.

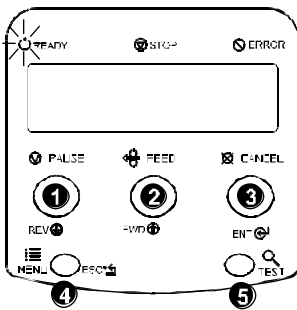
4

Using the Front Panel

4.0 Operation

The front panel is comprised of three indicator lights, a Liquid Crystal Display and five mode-dependant keys. The selectable modes (Ready, Menu and Quick Test) and the related functions of the printer keys are detailed below.

4.0.1 Ready Mode: Normal Operation (Ready Light 'On')



1 PAUSE

The PAUSE Key temporarily suspends printing. Pressing it again will return the printer to normal operation.

2 FEED

The FEED Key advances one label, and clears any corrected faults.

Pressing and holding causes the printer to perform a Quick Media Calibration; see Section 3.4.

3 CANCEL

The CANCEL Key 'pauses' the printer and then prompts you for confirmation. If yes, the current job is cancelled. The printer remains paused.

Pressing and holding four seconds will reset the printer and clear temporary host settings (soft reset).



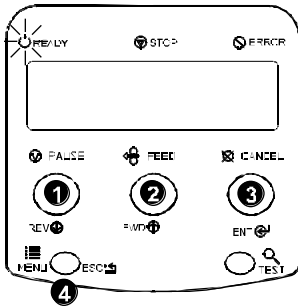
4 MENU

The MENU Key toggles between the Ready and Menu Modes. In the Ready Mode, pressing and holding four seconds will change the display contrast.

5 TEST

The TEST Key enters (or exits) the Quick Test Menu.

4.0.2 Menu Mode: Configuration (Ready Light 'Flashing')



1 REV

The DOWN ARROW Key scrolls to the previous menu item on the same menu level. It also decrements numerical values in most menu selections.

2 FWD

The UP ARROW Key scrolls to the next menu item. It also increments numerical values in most menu selections.

3 ENT

The ENTER Key selects the function, item or displayed value. It also moves between selections within multiple parameter fields.

4 ESC

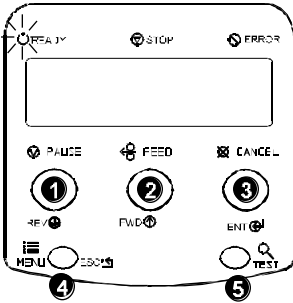
The ESCAPE Key moves to the previous menu level, and finally back to the Ready Mode.

5 TEST

When a print job is in progress, pressing the TEST Key will terminate the job. The printer will prompt you for confirmation; if 'Yes,' the current job is cancelled and then Menu Mode is restored.

4.0.3 Quick Test Mode: Print Test Labels

Note: The Quick Test Mode functions are disabled while processing data from communications interfaces until the Host Timeout value expires.



1 REV

The DOWN ARROW Key scrolls to the previous test function.

2 FWD

The UP ARROW Key scrolls to the next test function.

3 ENT

The ENTER Key will change the selected test label quantity of 2, 100, 1000, or 9999 (except the 'Configuration Label', quantity of one). Holding down the key scrolls quantities.

4 ESC

The ESCAPE Key will exit the Quick Test Mode without printing.

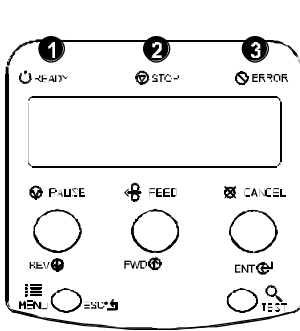
5 TEST

The TEST Key will print the selected test label at the selected quantity. During test label printing, this key also functions as a cancel key (the printer will prompt you for confirmation before cancellation occurs).



You can program a time delay between the printing of test labels using the 'Print Test Rate' feature; see Section 4.1.7.

4.0.4 Indicator Lights



1 READY

‘On’ indicates that the printer is powered ‘On’ and, after initialization, it indicates the Ready Mode.

‘Slow Flashing’ indicates Menu Mode.

‘Fast Flashing’ indicates data is being received and processed.

2 STOP

‘On’ indicates a ‘Paused’ condition.

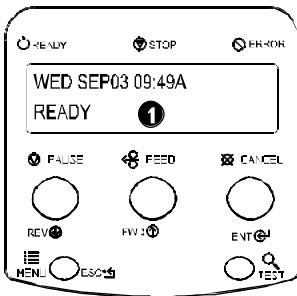
3 ERROR

‘Slow Flashing’ indicates a Warning.

‘Fast Flashing’ indicates a Fault.

See Section 6.1 for a listing of associated messages.

4.0.5 LCD



1 **Liquid Crystal Display**

The display provides several types of information:

Following a brief power-up sequence (initialization), the ‘Ready’ message.

The time and date, if the printer has received it from one of the following: the host, the front panel setting, or the Time and Date option.

A label counter during a batch print job.

The Menu System when in Menu Mode.

Any prompt, condition, downloading, warning, or fault message.

4.0.6 Resetting the Printer

Depending upon the method used, there are three reset levels possible:

4.0.6.1 Soft Reset

To reset the printer and clear any temporary host settings:

With the printer 'On', press and hold the CANCEL Key for approximately four seconds.

4.0.6.2 Level One Reset

To return the printer to the factory default settings or, if saved, to restore the Factory Setting File:

- 1 Turn 'Off' the printer.
- 2 Press and hold the PAUSE and CANCEL Keys while turning 'On' the printer; continue to depress the keys until the 'SYSTEM RESET' message flashes.

Note: *This reset has the same effect as the System Settings / Set Factory Defaults selection in the menu system. (See Section 4.1 for a listing of the factory default settings and Section 4.1.5 for information about the Factory Setting File.)*

4.0.6.3 Level Two Reset

To return the printer to the factory default settings, and clear all the calibration and adjustment parameters:

- 1 Turn 'Off' the printer.
- 2 Press and hold the PAUSE, FEED, and CANCEL Keys while turning 'On' the printer; continue to depress the keys until the 'SYSTEM RESET' message flashes.

Note: *After executing a Level 2 Reset, the media calibration must be performed; see Section 5.0. A listing of the factory default settings can be found in Section 4.1.*

4.1 The Menu System

Printer operation can be controlled through the user interface, allowing the operator access to these six menu system branches:

- Media Settings
- Print Control
- Printer Options
- System Settings
- Communications
- Diagnostics

While in the menu system, the current selection will be indicated with an asterisk (*) next to the displayed item on the LCD. Selections designated with a section symbol (§) will require a printer reset before becoming effective. A reset will be automatically invoked when exiting the menu system and answering 'Yes' to the 'Save Changes' prompt. Changes made will be saved. When power is removed, the new settings will be restored upon power-up.

The same functional commands from your host computer may, in some cases, override the printer's menu settings. In addition, as a security feature for the prevention of accidental or unauthorized changes, the menu system has a password protection feature.

Note: In the following subsections, the factory default settings are denoted with the '✧' symbol. Selections denoted with a diamond () can only be changed through the menu system - all other selections can be overridden by host software commands. Consult the I & W Class Programmer's Manual for specific information.

4.1.1 Entrance and Exit Prompts



With 'Ready' displayed on the LCD, press the MENU Key to enter Menu Mode.

Note: While in Menu Mode, the printer will stop processing new DPL (or bitmapped) data.

MENU MODE	Depending upon the configuration of the printer, the following Entrance and Exit Prompts may be displayed when accessing or leaving the Menu System.
ENTER PASSWORD 0 0 0 0	You are attempting to enter Menu Mode. Security has been enabled and now the correct user-definable password is required before accessing the Menu Mode functions.
KEEP HOST CHANGES? ENTER = YES	You are now entering Menu Mode. Existing Host commands have affected the configuration of the printer. Pressing ENTER will save these changes; otherwise, the printer will revert to previously saved settings.
SAVE CHANGES? ENTER = YES	<p>You are now exiting Menu Mode, but have made changes to the printer's settings. Pressing ENTER will reconfigure your printer according to these changes; otherwise, the printer will revert to previously saved settings.</p> <p>Note: If changes have been made that require a reset, the printer will automatically invoke that reset.</p>

4.1.2 Media Settings

MEDIA TYPE	Selects the printing method.
DIRECT THERMAL	For use with heat sensitive media.
◇THERMAL TRANSFER	For use with media requiring a ribbon to create an image.
SENSOR TYPE	Selects the top-of-form (TOF) sensing method for the media.
◇GAP	The printer recognizes the TOF by sensing gaps in the media.
CONTINUOUS	No TOF sensing. The LABEL LENGTH setting determines the length.
REFLECTIVE	The printer recognizes the TOF by sensing reflective (black) marks on the media.
LABEL LENGTH ◇04.00in (0-99.99)	When the Sensor Type is set to Continuous, this value is used to determine the TOF.
MAXIMUM LABEL LENGTH ◇16.00in (0-99.99)	Sets the maximum length between TOF marks (gap or reflective). If this limit is exceeded, a top of form fault is declared.
PAPER OUT DISTANCE ◇00.25in (0-99.99)	Sets the length of travel before an Out of Stock condition is declared.
LABEL WIDTH	Sets the maximum limit for the printable surface width. Objects extending beyond this limit will NOT print; see Appendix C for the default values.
SENSOR CALIBRATION	Adjusts the printer to sense your media.
PERFORM CALIBRATION	The user follows steps to allow the printer to calculate the empty, gap (or mark), and paper values to set the media sensor.
ADVANCED ENTRY	The user directly inputs the best values to adjust the media sensor.
SENSOR LEVELS	Sets threshold values for the media sensor parameters. Manual entry for paper, gap (or mark), and empty thresholds.
SENSOR GAIN	Observe A/D reading and set SENSOR GAIN. Adjusts the sensitivity of the sensor for custom label stock.

4.1.3 Print Control



Refer to Section 2.1.1 for detailed information on print quality controls.

HEAT ◇10 (0-30)	Controls the 'burn-time' of the printhead. This is the equivalent of Heat Setting on most label software programs.
PRINT SPEED	Controls the rate of label movement during the printing process; see Appendix C.
FEED SPEED	Controls the rate of label movement between printing areas; see Appendix C.
REVERSE SPEED	Controls the rate of label movement during backup positioning for start of print, cutting or present distance; see Appendix C.
ROW OFFSET ◇00.00in (0-99.99)	Shifts the vertical start of print position. This is the user setting for row adjustment.
COLUMN OFFSET ◇00.00 in (0-99.99)	Shifts the horizontal, left-justified start of print position to the right <u>without</u> shifting the Label Width termination point to the right. This is the user setting for Column Adjust.
PRESENT DISTANCE ◇0.00 in (0-4.00)	Sets the label stop position past the start of print. When the next label format is received, the printer will automatically backfeed to the start position. If a quantity of more than one label is printed without a present sensor enabled, or if the present distance is set to zero, the printer will operate without reversing.

Print Control (continued)

CUSTOM ADJUSTMENTS	These factory adjustments independently change the listed parameters to finely tune the printer and compensate for slight mechanical differences sometimes evident if multiple printers share label formats. In addition, each of the following adjustments has no factory default setting and restoring factory defaults will not affect these settings.
DARKNESS XX (1-64)	Controls the printhead strobe time to fine-tune the HEAT setting.
ROW ADJUST XXX DOTS (-100 → 100)	Shifts the vertical start of print position in dots upward or downward to fine-tune the ROW OFFSET setting; see Appendix C.
COLUMN ADJUST XXX DOTS (0-128)	Shifts both the horizontal start of print position and the LABEL WIDTH termination point to the right in dots to fine-tune the COLUMN OFFSET setting; see Appendix C.
PRESENT ADJUST XXX DOTS (0-128)	Adjusts the label stopping position in dots to fine-tune the PRESENT DISTANCE setting; see Appendix C.

4.1.4 Printer Options

MODULES	Memory available for user storage of graphics, fonts and label formats. (The physical presence of the respective memory module must be detected to show the function selections in the menu system. See Appendix C for a listing of all possible modules.)
PRINT DIRECTORY	Prints a label directory of selected, or of all available modules, the available space on these modules, the files present, and the type of module and files.
PRINT FILE	The user may select from a list of available files for sample printing.
FORMAT MODULE	The user may select from a list of available modules for formatting – all data will be erased.
DELETE FILE	The user may select from a list of available files for deleting (protected modules will not appear). Bytes will not be retrieved until the module that contained the deleted file is packed.
PACK MODULE	Packing the module removes files marked as deleted and defragments existing file structures to recover space.
PRESENT SENSOR	Used for on-demand label dispensing, where a printed label blocking the sensor will inhibit further printing until removed. (The physical presence of the device must be detected to show the ENABLE/DISABLE selections.)
ENABLED	Enables the sensor for on-demand printing.
◇DISABLED	Disables the sensor.
NOT INSTALLED	No Present Sensor is detected.

Printer Options (continued)

CUTTER	Used to cut media into separate labels. (The physical presence of a device must be detected to show the ENABLE/DISABLE selections.)
ENABLED	Enables cutting.
◇DISABLED	Disables cutting.
NOT INSTALLED	No Cutter is detected.
SCANNER	Used to check the bar codes on the labels. (The physical presence of a device must be detected to show the menu selections.)
NOT INSTALLED	No Scanner is detected.
MODE	Enables bar codes to be read by the Scanner.
◇PICKET FENCE	Reads horizontal bar codes (individual bars appear like the pickets in a fence) as the label exits the printer.
DISABLED	Disables the scanner.
BARCODES	Enables the scanner to read the respective bar code. Also see Appendix B. Note: To maximize throughput and decoding integrity enable only those symbologies that will be read.
◇CODE 39	
IATA	
◇CODABAR	
◇INTERLEAVED 2 OF 5	
◇INDUSTRIAL 2 OF 5	
◇CODE 93	
◇CODE 128	
◇MSI/PLESSEY	
◇EAN(13/8)	
◇EAN(13/8)+2	
◇EAN(13/8)+5	
◇UPC(A/E)	
◇UPC(A/E)+2	
◇UPC(A/E)+5	

Printer Options (continued)

BARCODE COUNT ◇00 (00-99)	Used to set the specific number of barcodes to be read on the label. 00 selects AUTO Mode, allowing a variable number of barcodes to be read per label format. AUTO Mode should not be used with imaged (bitmapped) barcodes or with certain bar code addendums as shown in Appendix B.
REDUNDANCY LEVEL	Used to ensure the data integrity of the bar code. The selected level determines the number of consecutive, identical decodes required before passing the bar code (i.e., if set to three times, the barcode will not pass until it has decoded the same values three times in succession.) <div style="border: 1px solid black; padding: 5px; margin-top: 10px;"> ⚠ Note: Depending upon the print speed, higher verification levels may cause erroneous failures when scanning multiple bar codes or bar codes that are small in height. </div>
READ BARCODE (1X)	One decode per barcode.
◇READ BARCODE (2X)	Two decodes per barcode.
READ BARCODE (3X)	Three decodes per barcode.
READ BARCODE (4X)	Four decodes per barcode.
READ BARCODE (5X)	Five decodes per barcode.
READ BARCODE (6X)	Six decodes per barcode.
BUZZER	Audible signal indicating a ‘good’ bar code. <div style="border: 1px solid black; padding: 5px; margin-top: 10px;"> ⚠ Note: Disable this function for higher label throughput speeds. </div>
ENABLED	Enables the buzzer.
◇DISABLED	Disables the buzzer.
SET DEFAULTS	Reset the current settings of the Scanner to the default settings.

Printer Options (continued)

GPIO PORT	Model dependant option used to interface the printer to an external controlling device (see Appendix D).
GPIO DEVICE	Input control signal is required to print a label.
✧DISABLED	Disables the GPIO.
APPLICATOR	Enables the GPIO for a Label Applicator.
BARCODE VERIFIER	Enables the GPIO for the Barcode Verifier.
START OF PRINT	Programmable signal input controlling the Start of Print (SOP).
✧ACTIVE HIGH	Signal must go high at SOP.
ACTIVE LOW	Signal must go low at SOP.
END OF PRINT	Programmable signal output for End of Print (EOP).
✧LOW PULSE	Low pulse generated at EOP.
HIGH PULSE	High pulse generated at EOP.
ACTIVE LOW	Signal goes low at EOP.
ACTIVE HIGH	Signal goes high at EOP.

4.1.5 System Settings

CONFIGURATION FILE	Options for storage and recall of printer configuration files. See Appendix F for details.
RESTORE AS CURRENT	Provides a list of available configuration files. Selecting a file from the list causes a printer reset; afterward, the printer is configured according to the activated file.
SAVE SETTING AS	Saves the entire effective configuration of the printer to a file. Unique names with up to nineteen characters are possible.
DELETE FILE	Provides a list of available configuration files. Files selected are immediately removed, freeing the module. Note: A currently activated file can not be deleted.
FACTORY SETTING FILE	Provides a list of available configuration files. The selected file will be restored whenever a Level 1 reset is performed; see Section 4.0.6.2.
INTERNAL MODULE ◇1024 KB	Sets the number of 1K blocks allocated for the internal RAM 'D' module. Available memory dependent upon model; see Appendix C.
DEFAULT MODULE ◇D	Sets the default module used to store files when no other module is specified; see Appendix C.
SCALEABLE FONT CACHE ◇312 KB	Sets the number of 1K blocks allocated for the scaleable font engine. Available memory dependent upon model; see Appendix C.
SINGLE BYTE SYMBOLS	Selects the code page used to print single byte fonts unless otherwise specified in DPL.
◇PC_850 MULTILINGUAL	61 selectable sets are standard; see the I & W Class Programmer's Manual for details.

System Settings (continued)

DOUBLE BYTE SYMBOLS	When equipped with the ILPC option, this selects the code page used to print double byte fonts unless otherwise specified in DPL; see the I & W Class Programmer's Manual for details.
◇UNICODE	Unicode (including Korean)
GB	Government Bureau Industry Standard; Chinese (PRC)
BIG 5	Taiwan encoded
JIS	Japanese Industry Standard
SHIFT JIS	Shift Japanese Industry Standard
EUC	Extended UNIX Code
TIME AND DATE	Allows the user to set Time and Date.
MEDIA COUNTERS	Internal record of inches printed and time of use.
ABSOLUTE COUNTER	Shows the number of inches printed since being set at the factory. Not resettable.
RESETTABLE COUNTER	The number of inches printed since the last reset. User may reset.
RESET COUNTER	Resets the Resettable Counter to zero.
PRINT CONFIGURATION	<p>Prints the effective configuration of the system. In addition, if settings were changed that require a reset to become effective, this will be indicated with the '§' symbol.</p> <p>A bulleted item () indicates that it was changed via the host, but not saved in non-volatile memory.</p>

System Settings (continued)

CONFIGURATION LEVEL	To upgrade the application program (resident software) version of the printer, the hardware and software compatibility levels must match for the update to be accepted. This information is displayed here; it is also printed on a configuration label.
PRINTER KEY	<p>Each printer has a unique Key number in the following form:</p> <p style="text-align: center;">vvvv-wwxx-yyyyy-zzz</p> <p>Where:</p> <p>vvvv – represents the model number of the application loaded</p> <p>wwxx – represents the hardware / software feature level, where:</p> <p>ww – represents the hardware feature level of the main board:</p> <p style="padding-left: 40px;">PA = PCB 51-2178-xx TB = PCB 51-2301-xx</p> <p>xx – represents the software feature level:</p> <p style="padding-left: 40px;">10 = Standard DPL 11 = 4208 20 = Internal CG Times Font</p> <p>The printer will accept software feature levels up to the ‘xx’ value. (This feature level requires Datamax authorization to upgrade.)</p> <p>yyyyy – is a manufacturing date code</p> <p style="padding-left: 40px;">zzz – is a unique time stamp</p>
UPGRADE PRINTER CODE	This function is used to upgrade the software feature level of the printer. Datamax authorization is required.

System Settings (continued)

SET FACTORY DEFAULTS	Parameters in this menu listing with the ‘✧’ symbol are the designated defaults.
SET FACTORY DEFAULTS	<p>Overwrite the current settings with the factory default settings or, if selected, will restore the Factory Setting File.</p> <p>✧ Note: The reset will be automatic. If no Factory Setting File is used, all menu settings will be restored except CUSTOM ADJUSTMENTS, and the media and ribbon sensor calibrations.</p>
FORMAT ATTRIBUTES	Affects the manner in which overlapping text and graphics are treated as the label is printed. Consult the I & W Class Programmer’s Manual for details.
TRANSPARENT	Intersecting text strings, images, and bar codes will not be printed. (An odd number of overlapping objects will print.)
✧XOR	Intersecting text strings, images, and bar codes print on top of one another.
OPAQUE	Intersecting text strings, images, and bar codes are obliterated by those formatted last. Each character cell is treated as opaque.
IMAGING MODE	<p>Instructs the printer whether to pre-image the label format.</p> <p>✧ Note: This selection can affect the accuracy of time-stamped labels and label throughput.</p>
✧MULTIPLE LABEL	The printer images multiple labels as memory permits, achieving the fastest throughput; however, if time-stamping, the time will reflect the moment the label is imaged rather than when actually printed.
SINGLE LABEL	The printer images the next label only after the previous label has been successfully printed. Single processing provides time-stamps that are more accurate, but it slows label throughput time.

System Settings (continued)

PAUSE MODE		When enabled, suspends printing between each label until the PAUSE Key is pressed.
	ENABLED	Requires an operator press the PAUSE Key after each label.
	◇DISABLED	The printer completes label batch without pausing between labels.
PEEL MODE		Specifies that a Feed operation be prevented when the label is presented and not removed, or if the printer is to wait for the GPIO start of print signal.
	ENABLED	Feed is inhibited according to the above criteria.
	◇DISABLED	Feed is always enabled.
SECURITY		Provides the user with the ability to password protect all printer settings made through the front panel.
	SELECT SECURITY	Enable or disable the menu system's security feature.
	ENABLED	Password protected.
	◇DISABLED	No protection.
	MODIFY PASSWORD	Modify the password required to access the menu system when security is enabled.
UNITS OF MEASURE		Selects the measurement system in which the system's settings are represented in the menu system and on configuration labels.
	METRIC	Metric standard: lengths given in millimeters and counters in centimeters.
	◇IMPERIAL	Inch standard: lengths and counters given in inches.
INPUT MODE		Defines the type of printer language.
	◇DPL	Standard DPL processing.
	LINE	Standard DPL processing with addition Line mode Template processing enabled. Line Mode exacts data terminated by a carriage return to be inserted in a DPL template and printed.

System Settings (continued)

Note: As indicated, the following menu selections will only appear according to the model of your printer.

PLUS EMULATION	This instructs the firmware to process specific DPL data as would the Prodigy Plus® printer without all of the variations. The calculated Column position based on 200 DPI using a 203 DPI printhead.	I-4206, I-4208, & I-4212 Models
ENABLED	<p>This list of exceptions will be updated with new firmware releases:</p> <ul style="list-style-type: none"> Data Terminator – I 2 of 5 Barcodes (IDs D, J, and L), the first non-numeric character processed will terminate the barcode data field. Bar Size – I 2 of 5 Barcode (ID L), when the bar size is specified greater than P (25), the size is automatically decreased to 10. Human Readable Fonts – The EAN and UPC barcodes (IDs B, C, F, G, M, and N) print a fixed font size. Lines and boxes: Rotations 2 and 4 are affected by the vertical multiplication factor defined in the DPL Dxx command. Column positions greater than the printhead width are adjusted back to the printable area and printed. 	
◇DISABLED	The above exceptions are disabled.	

System Settings (continued)

Note: As indicated, the following menu selections will only appear according to the model of your printer.

ALLEGRO EMULATION	This instructs the firmware to process specific DPL data as would the Allegro® printer without all of the variations.	I-4206, I-4208, & I-4212 Models
ENABLED	The row position is calculated based on 194 DPI. Lines and boxes: Rotations 2 and 4 are affected by the vertical multiplication factor defined in the DPL Dxx command. Column positions greater than the printhead width are adjusted back to the printable area and printed.	
◇DISABLED	The above exception is disabled.	

DPI EMULATION	For users who want to print DPL files intended for a 203 DPI printer.	I-4406 Model
◇DISABLED	Label formats interpreted as intended for 406 DPI.	
203 DOTS PER INCH	Label formats interpreted as intended for 203 DPI.	

DPI EMULATION	For users who want to print DPL files intended for a 203 or 300 DPI printer.	I-4604 Model
◇DISABLED	Label formats interpreted as intended for 600 DPI.	
300 DOTS PER INCH	Label formats interpreted as intended for 300 DPI.	
203 DOTS PER INCH	Label formats interpreted as intended for 203 DPI.	

System Settings (continued)

COLUMN EMULATION	Provides compatibility with legacy Datamax products. The Prodigy Plus and Allegro calculated column positions using 200 DPI math but had 203 DPI printheads. Also, decreasing the DPI compensates for different printer models column “1” positions.
✧203 DOTS (180-203)	Selects the desired DPI emulation.
SOP EMULATION	Enables the <STX>O and <STX>f print positioning commands to allow backward compatibility with label formats designed for other printers. (When changing these values, the printer will automatically feed two labels to setup the new print position.)
110 (PRODPLUS)	Emulates the Prodigy Plus [®] printer.
220 (ALLEGRO)	Emulates the Allegro [®] printer.
250 (PRODIGY)	Emulates the Prodigy [™] printer.
✧DISABLED	No emulation, natural start of print position.
BACK AFTER PRINT	When the present distance is set with the cutter, present sensor or GPIO option enabled, this setting determines the timing of the label back up.
ENABLED	Commands the printer to immediately back up the label after the cut operation, the GPIO start of print signal is received, or the present sensor is clear. It provides the advantage of faster throughput.
✧DISABLED	The printer will not initiate repositioning until the next label is ready to print. May help prevent the curling of the label edge.

System Settings (continued)

MENU LANGUAGE	Selects the language in which the menu system messages and configuration label are shown. Only languages that are resident will be available.
◇ENGLISH	English
FRANCAIS	French
ITALIANO	Italian
DEUTSCH	German
ESPANOL	Spanish
USER DEFINED	User defined, downloaded language(s).

FAULT HANDLING	When a faulted condition (ribbon or paper out, failed bar code, etc.) has been detected, this setting determines the action to be taken by the operator and the printer.
LEVEL	Establishes the required corrective action following a fault.
◇1	Stops and displays a fault message. The FEED Key must be pressed to clear the fault and continue after the problem is corrected by the operator.
2	Displays a fault message after the printer backs up and prints a VOID Message on the defective label (no message will be printed if there is insufficient space for the VOID text height on the defective label or if the fault occurred after the entire label was completed). <div style="border: 1px solid black; padding: 5px;"> <p>Note: The label is considered completed when it reaches its present distance at or above the TOF.</p> </div>

System Settings (continued)

VOID DISTANCE ◇0.25in (0-2.00)	The distance to backup on the defective label and the font size in which to print the VOID text.
RETRY COUNT ◇1 (0-3)	<p>Establishes the number of retries the printer will attempt to reprint a defective label after it has been voided. If the last label printed has been voided, it will be reprinted after correcting the problem. After the last retry, the printer will stop and display a fault message.</p> <div data-bbox="476 488 960 837" style="border: 1px solid black; padding: 5px;"><p>Note: If the CANCEL Key is pressed when the printer is faulted and the last printed label was not completed, the operator has a choice to cancel the reprint of the last label. Subsequent pressing of the CANCEL Key will allow canceling the entire label batch.</p><p>(Pressing the CANCEL Key while the printer is stopped and faulted will indicate whether the last label is waiting to be reprinted. The operator has a choice to cancel the reprint by pressing the ENTER Key or allowing the reprint to take place by pressing the ESCAPE Key.)</p></div>

4.1.6 Communications

SERIAL PORT A	Controls the communications settings for Serial Port A.
BAUD RATE	Determines the serial communication rate.
38400	38400 bits per second
28800	28800 bits per second
19200	19200 bits per second
◇9600	9600 bits per second
4800	4800 bits per second
2400	2400 bits per second
1200	1200 bits per second
PROTOCOL	Sets the data flow control (handshaking) method.
◇BOTH	Uses both handshaking methods.
SOFTWARE	XON/XOFF
HARDWARE	CTS/DTR
NONE	No flow control is used.
PARITY	Sets Word parity
◇NONE	No parity
ODD	Odd parity
EVEN	Even parity
DATA BITS	Sets Word length
7	Seven bit Word length
◇8	Eight bit Word length
STOP BITS	Sets the number of stop bits
◇1	One stop bit
2	Two stop bits
SERIAL PORT B	Same as Serial Port A, for an optional connection. If not present, this displays 'NOT INSTALLED' when accessed.

Communications (continued)

PARALLEL PORT A	Controls the communications settings for Parallel Port A.
PORT DIRECTION	Determines if messages are sent from the printer to the host via the parallel port.
◇UNI-DIRECTIONAL	One-way printer communication.
BI-DIRECTIONAL	Enables IEEE 1284 back-channel operation.

PARALLEL PORT B	Same as Parallel Port A, for an optional Ethernet connection. If not present, this displays 'NOT INSTALLED' when accessed.
------------------------	--

Note: If the 'LOCKED' message appears when attempting to access the NIC ADAPTER menu, the printer may have active print requests or multiple users may be trying to access these parameters (for example, during simultaneous telenet sessions).

NIC ADAPTER	<p>Network Interface Card Adapter (optional). If not present, this displays 'NOT INSTALLED' when accessed.</p> <p>After making changes to these parameters, save the changes, exit the menu system, and cycle the printer's power 'Off' and 'On' for the changes to take effect.</p> <div style="border: 1px solid black; padding: 5px;"> <p>Note: The boot process (taking up to two minutes) must be completed at power-up. During this time, the NIC Adapter will not be accessible or configurable; "DMXNET INACTIVE" will be indicated when in the menu system or on a Configuration Label. After this process, you will be able to configure the options provided using the menu system.</p> </div>
IP ADDRESS	The static IP address of the NIC Adapter. This is in standard dotted-decimal format.
SUBNET MASK	The static subnet assigned to the NIC Adapter.

Communications (continued)

GATEWAY	Specifies the network gateway address the NIC Adapter should use.
SNMPTRAP DESTINATION	Selects the Network IP address where all SNMP Traps will be sent. If zeroed, no traps are sent.
PROTOCOL	The network protocols recognized by the NIC Adapter.
NETWARE	Allow the printer to be driven from an NDS Novell Print Queue.
✧ENABLED	Netware is enabled by default.
DISABLED	Ignore the Netware protocol. Select this option if Netware is not needed.
DISCOVERY	This is the address discovery method used by the NIC Adapter if a static address is not utilized. If no server for any of the discovery methods is found, the static value specified above is used. Note: For faster NIC Adapter boot times, disable any discovery methods not used.
DHCP	Dynamic Host Control Protocol. Automatically assign IP address from a DHCP Server.
✧ENABLED	DHCP is enabled by default. WARNING! An IP Address assigned by a DHCP has precedence over any static IP Address stored in the NIC Adapter.
DISABLED	Disable DHCP. Note: Select this option to insure any static IP stored is used by the NIC Adapter.

Communications (continued)

HOST SETTINGS	Settings which affect all communications with a host.
HOST TIMEOUT ◇10 SEC (1-60)	The number of seconds a communications port must be idle before the printer may process data from a different port. This value is also used to “timeout” an image / label format download.
CONTROL CODES	Allows the operator to change the prefix of the software commands interpreted by the printer.
◇STANDARD CODES	Hex 01 = SOH command; Hex 02 = STX command; count-by = ^; Hex 1B = ESC; Hex 0x0D = Carriage Return
ALTERNATE CODES	Hex 5E = SOH command; Hex 7E = STX command; count-by = @; Hex 1B = ESC; Hex 0x0D = Carriage Return
ALTERNATE CODES 2	Hex 5E = SOH command; Hex 7E = STX command; count-by = @; Hex 1B = ESC; Hex 0x7C = Carriage Return
ALTERNATE CODES 3	Hex 5E = SOH command; Hex 23 = STX command; count-by = @; Hex 1B = ESC; Hex 0x0D = Carriage Return
FEEDBACK CHARACTERS	Returns a Hex 1E, [RS], after each label successfully prints, and a Hex 1F, [US], after each batch of labels is printed.
ENABLED	Feedback characters are sent to the host.
◇DISABLED	No feedback characters are sent.
ESC SEQUENCES	Allows data containing invalid ESC control code sequences to be processed.
◇ENABLED	Normal printer operating mode.
DISABLED	ESC sequences are ignored and the data is processed. Bitmapped font downloads are disabled in this mode.

Communications (continued)

HEAT COMMAND	Allows the user to disable the DPL Heat Command, providing compatibility with other DATAMAX printers.
◇ENABLED	Normal printer operating mode.
DISABLED	DPL Heat Commands are ignored. The heat value is controlled via the menu setting; see Print Control, Section 4.1.3.
SPEED COMMANDS	Allows the user to disable the DPL speed commands (Print, Feed, and Reverse).
◇ENABLED	Normal printer operating mode.
DISABLED	DPL speed commands are ignored. The print, feed and reverse speeds are controlled via the menu setting; see Print Control, Section 4.1.3.

4.1.7 Diagnostics

HEX DUMP MODE	Most commonly used for troubleshooting. Prints data and instructions received from the host rather than interpreting them as label formats; see Section 6.2.
ENABLE	Prints raw ASCII data received from the host rather than executing the commands.
◇DISABLE	Executes and prints label formats (normal operating mode).
OPTIONS TESTING	Tests currently installed options
TEST PRESENT SENSOR	Performs a functional test of the Present Sensor circuitry.
TEST CUTTER	Performs a functional test of the optional cutter mechanism and circuitry.
PERFORM TEST 1 TIME	The cutter will cycle 1, 10 or 100 times (selectable). The results of each attempt will be displayed.
MONITOR GPIO INPUT	
TEST GPIO OUTPUT	
TEST SCANNER	Performs a functional test of the Scanner.
SCAN TEST	Enters “read once mode.” A bar code is read and the decoded results are displayed.
ALIGNMENT TEST	Enters “constant read mode.” Bar codes are read; decoded results are displayed; and, a read-count is incremented.
PRINT TEST RATE (min) ◇000 (0-120)	The number of minutes to delay between the printing of batches of labels in Quick Test Mode.

Diagnostics (continued)

SENSOR READINGS	Analog Sensor readings are displayed.
THR TRAN RIBM 24V → 255 255 255 255	Live sensor values are displayed. View can be toggled with the FORWARD and REVERSE Keys. Maximum values are shown in this example: thermistor sensor, transmissive (gap) media sensor (TRAN is replaced with REFL when the SENSOR TYPE is set to 'reflective'), ribbon sensor, 24 volt power supply sensor.
← PS HD RANK 255 255 255	Present sensor, head down sensor, printhead ranking resistor.
RIBBON SENSOR LIMITS	Displays ribbon sensor ADC low and high values used for motion detection.
RIBBON ADC LOW HIGH 070 164	Approximate default values are shown here (actual values will vary).






4.2 Display Messages







The printer displays several different types of information (if not in the menu system or Quick Test Mode):

- User Prompts and Condition Messages (also see Section 4.1.1 for a listing of the Enter/Exit Prompts)
- Application and Boot Loader Updating Messages (see Section 5.4 and 5.5)
- Fault and Warning Messages (see Section 6.1)


4.2.1 User Prompts and Condition Messages

User Prompts alert the operator to a required action. Condition Messages are used to indicate an operational state.



User Prompts and Condition Messages		
Displayed Message	Description	Condition(s)
	The printer is trying to clear a fault condition.	Occurs when the FEED Key is pressed after the correction of a fault.
	A media calibration is being performed.	The FEED Key was pressed and held.
	The CANCEL or TEST Key was pressed during the fault handling process.	The faulted label will be cancelled if ENTER is pressed, then the remaining labels in the batch will be printed.
	The CANCEL or TEST Key was pressed during a batch job.	The current print batch will be cancelled if ENTER is pressed; the remaining labels will not be printed.
	The printer is paused or offline.	The printer is in a paused condition.

User Prompts and Condition Messages <i>(continued)</i>		
Displayed Message	Description	Condition(s)
	Ready Mode.	Normal operating mode. The printer is ready to receive and process label formats.
	A label is awaiting removal.	The Present Sensor option is enabled and a label blocks the sensor. Remove the label to continue printing.
	Normal power-up and soft reset condition.	Follows the 'SYSTEM RESET IN PROGRESS' message after a reset or power-up.
	Normal power-up and soft reset condition.	Occurs when the user resets the printer via the host or Front Panel.
	The media calibration is not set.	Perform calibration; see Section 5.0.
	The print job is being processed.	Batch status indication, updated with each label printed.

4.3 Quick Test Mode

This section explains the functions of the resident Quick Tests, accessible by pressing the  **TEST** Key on the Front Panel.





Notes: (1) With the exception of the Configuration Label, all Quick Test labels require 4-inch (102mm) wide media to print the entire format. If using narrower media, change the Label Width setting (Section 4.1.2) to match your media's width to avoid printing on the platen.

(2) During any Quick Test, press the **ESC**  Key or the  **TEST** Key to stop printing.

(3) Using the 'Print Test Rate' feature (Section 4.1.7), a time delay can be set for printing labels in Quick Test Mode.

4.3.1 Print Quality Label

The Print Quality Label provides an indication of overall print quality at a pre-selected heat and speed setting. This format consists of compliant bar codes in fence and ladder orientations, assorted font sizes, and graphic fill patterns. These can be used to ensure conformance, as well as aesthetics. To print a Print Quality Label:




- 1 Press the  **TEST** Key.
- 2 Use the **FWD**  Key to scroll to 'Print Quality Label'.
- 3 Use the **ENT**  Key to select a quantity; see Section 4.0.3.
- 4 Press the  **TEST** Key to start printing.



4.3.2 Configuration Label

The Configuration Label provides printer valuable database information, as detailed in Section 4.1.

To print a Configuration Label:





- 1 Press the  **TEST** Key.
- 2 Use the **FWD**  Key to scroll to 'Print Configuration'.
- 3 Press the  **TEST** Key to print.

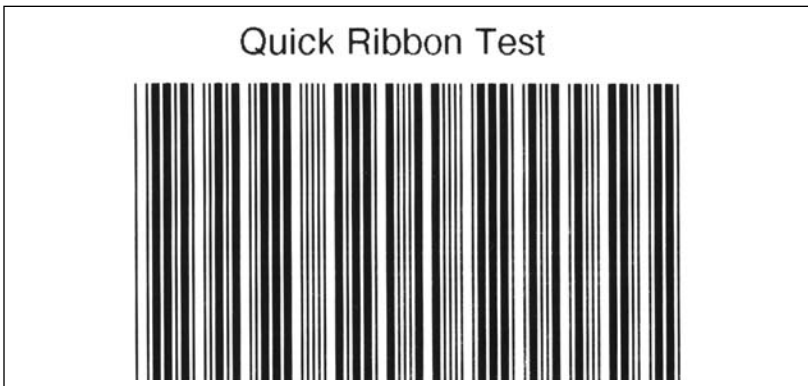
Note: The contents of this label may vary with the application version and printer model and equipped options. To capture all the information, use media at least 2 inches wide (51mm) with the Label Width setting matched accordingly (see Section 4.1.2).

CONFIGURATION	SYSTEM SETTINGS
WED 07:09 AM 1 MAR 2002	FACTORY SETTING FILE
HINTEK KEY:	NO
250000000000000000	INTERNAL MODULE
APPLICATION VERSION:	021 KB
002257470 37 03 30200202	DEFAULT MODULE
BOOT LOADER:	
83-2250-300 03 04 1001 0200	SCALE LABEL FONT CACHE
	212 KB
SYSTEM INFORMATION	SINGLE BYTE SYMBOLS
PRINT BUFFER SIZE:	PERFORM UNLINK
220KB	DOUBLE BYTE SYMBOLS
FLASH SIZE:	UNLINK
1MB	ABSOLUTE COUNTER
RAM TEST:	999999
PASS	01012376
OPTIONAL LANGUAGES:	RESETTABLE COUNTER
ITALIAN	205 KB
DEUTSCH	01SEP72000
ESPANOL	FORMAT ATTRIBUTES
CONFIGURATION FILE	2300
NO	MAGING MODE
	MULTIPLE
MEDIA SETTINGS	PAUSE MODE
MEDIA TYPE:	DISABLED
THERMAL TRANSFER	PEEL MODE
SENSOR TYPE	ENABLED
040	SELECT SECURITY
LABEL LENGTH	INRMR 00
307.0 F.	UNITS OF MEASURE
MAXIMUM LABEL LENGTH	INCH MODE
1300 F.	PLUS EMULATION
PAPER OUT DISTANCE	UNIT
214.0 F.	ALLEGRO EMULATION
LABEL WIDTH	EMRMR 00
3.0 F.	COLUMN EMULATION
SENSOR CALIBRATION	0000
PAPER SENSOR LEVEL	0000
172	SOFT EMULATION
TRAY SENSOR LEVEL	DISABLED
14	BACK AFTER PRINT
RECYCLE PAPER LEVEL	INRMR 00
170	MENU LANGUAGE
MARK SENSOR LEVEL	ENGLISH
REF. SENSOR CAN	FAULT HANDLING:
EMPTY SENSOR LEVEL	LEVEL
12	VOLUME DISTANCE
PRINT CONTROL	0300
HEAT	RETRY COUNT
ON	
PRINT SPEED	COMMUNICATIONS
500 RPM	SERIAL PORT A
FEED SPEED	BAUD RATE
500 RPM	9600/000
REVERSE SPEED	PROTOCOL
750 RPM	ESCII
ROW OFFSET	PARITY
YES/NO	NONE
COLUMN OFFSET	DATABITS
000 F.	8
PRESENT DISTANCE	STOP BITS
300 F.	1
CUSTOM ADJUSTMENTS:	SERIAL PORT B
DARKNESS	NOT INSTALLED
30	PARALLEL PORT A:
ROW ADJUST	PORT DIRECTION
0000	UNIDIRECTIONAL
COLUMN ADJUST	PARALLEL PORT B:
0000	NOT INSTALLED
PRESENT ADJUST	PARALLEL PORT C:
0400	NOT INSTALLED
PRINTER OPTIONS	IP ADDRESS
MODULES	030120000205
1: NOT INSTALLED	SUBNET MASK
2: NOT INSTALLED	255.255.255.000
3: NOT INSTALLED	GATEWAY
4: NOT INSTALLED	030120000206
5: NOT INSTALLED	SMTP MAIL DESTINATION
6: NOT INSTALLED	000000000000
7: NOT INSTALLED	NETWARE
PRESENT SENSOR	ENABLED
NO INSTALLED	DHCP
8: NOT INSTALLED	DISABLED
CUTTER	HOST SETTINGS:
NO INSTALLED	HOST TIMEOUT
SCANNER:	0000
PICTURE SERVICE	CONTROL CODES
BARCODES	010000000000
CODE 39	FEEDBACK CHARACTERS
CODE 128	DISABLED
CODE 128	ESC SEQUENCES
MEMO LABEL	ENABLED
HEAT SENSITIVE	HEAT COMMAND
HEAT SENSITIVE	ENABLED
UPC/AE1+2	SPFFD COMMANDS
UPC/AE1+2	ENABLED
UPC/AE1+2	
LAN: 0000	DIAGNOSTICS
LAN: 0000	HEX DUMP MODE
INTERLEAVE/SD OF 0	DISABLED
INTERLEAVE/SD OF 0	PRINT TEST RATE (min):
BARCODE COUNT	0
0	SENSOR READINGS
REDUNDANCY LEVEL	TRAY FEED 00
HEAT SENSITIVE (25)	130 130 200 120
BUZZER	PS 12 MARK
120/0000	200 12 1000
OFF	RIBBON SENSOR LIMITS
NOT INSTALLED	MINIMUM LOW
	MINIMUM HIGH
	100

4.3.3 Quick Ribbon Test Label





The Quick Ribbon Test Label features a compliant picket-fence bar code that can be used to verify thermal transfer and print quality functions. To print a Quick Ribbon Test Label:

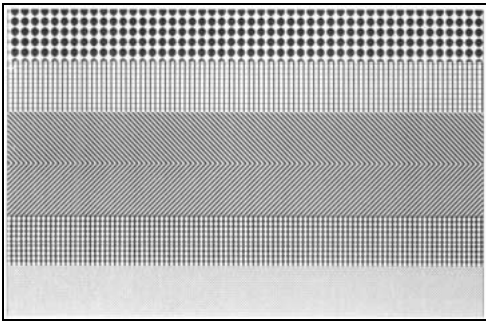
- ❶ Press the  **TEST** Key.
- ❷ Use the **FWD**  Key to scroll to 'Ribbon Test Label'.
- ❸ Use the **ENT**  Key to select a quantity; see Section 4.0.3.
- ❹ Press the  **TEST** Key to start printing.



4.3.4 Dot Test Pattern Label

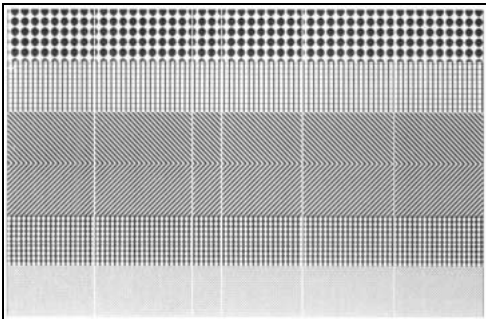
The Dot Test Pattern Label features patterns that exercise the thermal elements of the printhead to indicate its overall condition (see examples below). To print a Dot Test Pattern Label:

- 1 Press the  **TEST** Key.
- 2 Use the **FWD**  Key to scroll to 'Dot Test Pattern'.
- 3 Use the **ENT**  Key to select a quantity; see Section 4.0.3.
- 4 Press the  **TEST** Key to start printing.



Good Test Pattern Label:

Even pattern consistency indicates correct printhead operation.







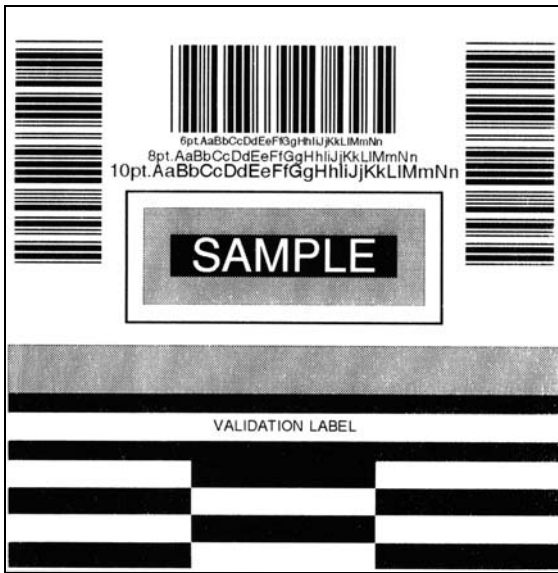
Faulty Test Pattern Label:

Streaks indicate a dirty or faulty printhead. See Section 5.3.1 for cleaning instructions.

4.3.5 Validation Label

The Validation Label is another useful tool for evaluating overall print quality. To generate a Validation Label:

- 1 Press the  TEST Key.
- 2 Use the FWD  Key to scroll to 'Validation Label'.
- 3 Use the ENT  Key to select a quantity; see Section 4.0.3.
- 4 Press the  TEST Key to start printing.



4.3.6 User Defined Label

The User Defined Label reprints the last format printed. The format can be any of the Quick Tests, a label from the host, or a label recalled from a memory module.

Note: *If a job was cancelled prior to its completion, or if power has been removed since the last print job and the request for this label, this selection will not reprint the previous label.*



Adjusting and Maintaining the Printer

5.0 Media Sensor Calibration

In addition to the Sensor Type selection, Media Sensor calibration ensures that each label is detected correctly and reliably. Perform calibration when the 'Uncalibrated' message is displayed. Two different methods are available to calibrate the printer: Standard and Advanced Entry.

5.0.1 Standard Calibration

Standard Calibration is appropriate for most media types. During the process, the printhead assembly can be raised for visual access to the media and media sensor. In addition, displayed sensor readings can be used to indicate the best position over the media, which is helpful when using small, position-critical TOF notches or marks. Three readings are required:

Empty: No media in the sensor.










Gap (or Mark): Only the backing, notch, or reflective mark in the sensor.

Paper: The label (with the liner attached) in the sensor.

To perform a Standard Calibration:

Step	Operator Action	Displayed Message	Comment
1	(Media should be loaded and the appropriate Sensor Type selected.) Turn 'On' the printer.		Wait until the printer initializes (about six seconds).
2	 Press the MENU Key. Raise the printhead assembly.		You are entering Menu Mode.


Standard Calibration (continued)

Step	Operator Action	Displayed Message	Comment
3	Press the ENT  Key to enter the Media Settings menu.		See Section 4.1.2 for menu layout.
4	Press the FWD  Key and scroll to 'Sensor Calibration'.		Press the ESC  Key to abort this procedure.
5	Press the ENT  Key.		You are beginning the standard calibration procedure.
6	Press the ENT  Key. Remove the media from the Media Sensor then press any key.		<p>This sets the parameter for the 'empty' value.</p> <p>Where 'yyy' is a numerical value representing the current sensor reading.</p>

Standard Calibration (continued)

Step	Operator Action	Displayed Message	Comment
7	<p>Proceed according to your media type:</p> <p>Die-cut stock: strip the media from the backing and then reinsert it into the sensor; adjust the Sensor Eye Mark over the center of the backing.</p> <p>Notched stock: adjust the Sensor Eye Mark over the center of the notch.</p> <p>Reflective stock: Adjust the Sensor Eye Mark over the center of the facedown black mark.</p> <p>Continuous stock: go to Step 8.</p> <p>Press any key to continue.</p>	<div style="border: 1px solid black; padding: 2px; margin-bottom: 10px;"> SCAN BACKING PRESS ANY KEY <yyy> </div> <p style="text-align: center;"><i>Or, for reflective media:</i></p> <div style="border: 1px solid black; padding: 2px;"> SCAN MARK PRESS ANY KEY <yyy> </div>	<p>This sets the parameter for the ‘gap’ or ‘mark’ value.</p> <p>Where ‘yyy’ is a numerical value representing the current sensor reading; useful in locating the best sensor position.</p> <div style="border: 1px solid black; padding: 5px; margin-top: 10px;"> <p>Note: Never position the sensor over a perforation when recording a sensor reading.</p> </div>
<p>Note: Do NOT move the position of the Media Sensor after it has been adjusted.</p>			
8	<p>Position the label (and backing, if any) under the Sensor Eye Mark.</p> <div style="border: 1px solid black; padding: 5px; margin-top: 10px;"> <p>Note: If using preprinted media, ensure the label area under the sensor is free of preprinted text, graphics or borders.</p> </div> <p>Press any key to continue.</p>	<div style="border: 1px solid black; padding: 2px;"> SCAN PAPER PRESS ANY KEY <yyy> </div>	<p>This sets the parameter for the ‘paper’ value.</p> <p>Where ‘yyy’ is a numerical value representing the current sensor reading.</p>

Standard Calibration (continued)


Step	Operator Action	Displayed Message	Comment
9	Observe the display.	<div style="border: 1px solid black; padding: 2px; margin-bottom: 5px;">GAP MODE CALIBRATION COMPLETE</div> <p style="text-align: center;"><i>Or, for reflective media:</i></p> <div style="border: 1px solid black; padding: 2px; margin-bottom: 5px;">REFLECTIVE MODE CALIBRATION COMPLETE</div> <p style="text-align: center;"><i>Or, for continuous media:</i></p> <div style="border: 1px solid black; padding: 2px;">CONTINUOUS MODE CALIBRATION COMPLETE</div>	<p>The calibration was successful.</p> <p>See note below if another message was displayed.</p>
10	<p>Exit upon successful calibration: Back out of the menu tree by repeatedly pressing the ESC  Key.</p> <p>If using gap or reflective media, press and hold the FEED Key. The printer will begin advancing media; allow at least one label gap (or mark) to advance under the sensor.</p>	<div style="border: 1px solid black; padding: 2px;">READY</div>	<p>The printer is now ready to begin printing.</p> <p>If this calibration was unsuccessful, go to Section 5.0.2.</p>

Note: A 'Warning Low Backing' message indicates that the calibration was successful with notched media or media on a transparent liner; see Section 6.1 for details on this and other possible messages.






5.0.2 Advanced Entry Calibration

Advanced Entry Calibration is the alternate method for special-case media types. The procedure has two parts:

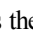

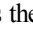


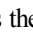

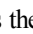


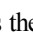
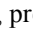
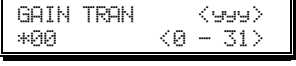

- 1) You must list the sensor readings for the label and TOF values using different algorithms.
- 2) From your list the best algorithm is chosen, new readings taken and those values entered.

 *Advanced Entry Calibration will override all previous calibration settings; this method should be used only when Standard Calibration has failed.*




To perform an Advanced Entry Calibration:


Step	Operator Action	Displayed Message	Comment
1	(Media should be loaded and the appropriate Sensor Type selected.) Turn 'On' the printer.	UNCALIBRATED	Wait until the printer initializes (about six seconds).
2	 Press the MENU Key. Raise the printhead assembly.	MENU MODE MEDIA SETTINGS	You are entering Menu Mode.
3	Press the ENT  Key to enter the Media Settings menu.	MEDIA SETTINGS MEDIA TYPE	See Section 4.1.2 for menu layout.
4	Press the FWD  Key and scroll to 'Sensor Calibration'.	MEDIA SETTINGS SENSOR CALIBRATION	Press the ESC  Key to abort this procedure.
5	Press the ENT  Key.	SENSOR CALIBRATION PERFORM CALIBRATION	You are entering the calibration submenu.

Advanced Entry Calibration (continued)

Step	Operator Action	Displayed Message	Comment
6	Press the FWD  Key to scroll to 'Advanced Entry'.		You are entering Advanced Entry Calibration.
7	Press the ENT  Key.		Press the ESC  Key to abort this procedure.
8	Press the FWD  Key.		You are beginning the Advanced Entry Calibration.
9	Press the ENT  Key. Place the label under the Sensor Eye Mark and lower the printhead assembly.	 -OR- 	If using preprinted media, ensure the label area under the sensor is free of preprinted text, graphics or borders.
10	Press the ENT  Key to select the setting (denoted by an '*') and then record the sensor reading (the 'yyy' value) in a table similar to the one shown after Step 12, as a Label Value . Next, press the FWD  Key to increment the Gain Number. Repeat this step for each of the Gain Numbers (00-32).	 -OR- 	Where 'yyy' is a numerical value representing the current sensor reading: useful in locating the best sensor position. <div style="border: 1px solid black; padding: 5px;"> <p>Note: Never position the sensor over a perforation when recording a sensor reading.</p> </div>

Advanced Entry Calibration (continued)

Step	Operator Action	Displayed Message	Comment
11	<p>Proceed according to your media type:</p> <p>Die-cut stock: strip the media from the backing and then reinsert it into the sensor; adjust the Sensor Eye Mark over the center of the backing.</p> <p>Notched stock: adjust the Sensor Eye Mark over the center of the notch.</p> <p>Reflective stock: Adjust the Sensor Eye Mark over the center of the facedown black mark.</p> <p>Press the ENT  Key to select the setting and then record the sensor reading in a table similar to the one shown after Step 12, as a TOF Value.</p> <p>Next, press the FWD  Key to increment the Gain Number.</p> <p>Repeat for each of the Gain Numbers (00-32).</p>	<div style="border: 1px solid black; padding: 2px; margin-bottom: 10px;"> GAIN TRAN <yyy> *00 (0 - 31) </div> <p style="text-align: center;"><i>Or, for reflective media:</i></p> <div style="border: 1px solid black; padding: 2px;"> GAIN REFL <yyy> *00 (0 - 31) </div>	<p>Where 'yyy' is a numerical value representing the current sensor reading; useful in locating the best sensor position.</p> <div style="border: 1px solid black; padding: 5px; margin-top: 10px;"> <p> Note: Never position the sensor over a perforation when recording a sensor reading.</p> </div>

 Note: Do NOT move the position of the Media Sensor after it has been adjusted.





Advanced Entry Calibration (continued)

Step	Operator Action	Displayed Message	Comment
12	<p>From the data collected in Steps 10 and 11, where both the sensor readings are above 20, subtract each Label Value from the corresponding TOF Value. These are the Difference Values.</p> <p>From the resulting list, find the largest Difference Value (see example below). Its associated Gain Number will provide the best algorithm for your media.</p>	<div style="border: 1px solid black; padding: 2px; margin-bottom: 10px;"> GAIN TRAN <yyy> *00 (0 - 31) </div> <p style="text-align: center;"><i>Or, for reflective media:</i></p> <div style="border: 1px solid black; padding: 2px;"> GAIN REFL <yyy> *00 (0 - 31) </div>	<p>Both sensor readings must be <u>above 20</u>.</p>



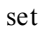
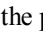

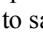
For example, if your compiled data had the values shown in this table, Gain Number 8 would be chosen because it has the highest Difference Value (146) where both the Label Value and the TOF Value are above 20.


Gain Number	Label Value	TOF Value	Difference Value
00	255	254	1
01	251	240	11
02	241	213	28
03	231	182	49
04	219	150	69
05	212	119	93
06	200	88	112
07	189	58	131
08	178	32	146
09	167	19	N/A
10	156	17	N/A
11	146	16	N/A
12	136	15	N/A
...
31	116	14	N/A
32	112	14	N/A

Advanced Entry Calibration (continued)

Step	Operator Action	Displayed Message	Comment
13	Using the FWD  Key, select the Gain Number determined in Step 12. Press the ENT  Key to select the setting.	<div style="border: 1px solid black; padding: 2px; margin-bottom: 5px;"> GAIN TRAN <yyy> *08 (0 - 31) </div> <p style="text-align: center;"><i>Or, for reflective media:</i></p> <div style="border: 1px solid black; padding: 2px;"> GAIN REFL <yyy> *08 (0 - 31) </div>	Selection is denoted with an '*'.
14	<p>❶ Place the media in the Media Sensor. Record the sensor reading and label it 'P' (paper).</p> <p>❷ Place the backing, mark, or notch in the Media Sensor. Record the sensor reading and label it 'G' or 'M' (Gap or Mark).</p> <p>❸ Remove all media. Record the sensor reading and label it 'E' (Empty).</p>	<div style="border: 1px solid black; padding: 2px; margin-bottom: 5px;"> GAIN TRAN <yyy> *08 (0 - 31) </div> <p style="text-align: center;"><i>Or, for reflective media:</i></p> <div style="border: 1px solid black; padding: 2px;"> GAIN REFL <yyy> *08 (0 - 31) </div>	Where 'yyy' is a numerical value representing the current sensor reading.
15	Press the ESC  Key. Then press the FWD  Key.	<div style="border: 1px solid black; padding: 2px;"> ADVANCED ENTRY SENSOR LEVELS </div>	The sensor readings must be manually entered into the printer now.

Advanced Entry Calibration (continued)

Step	Operator Action	Displayed Message	Comment
16	<p>Press the ENT  Key.</p> <p>Using the FWD  or the REV  Key, set the 'Paper' level to the value determined in the previous step. Press the ENT  Key to set the entry (indicated by the '*') and advance the menu.</p> <p>Repeat for the 'Gap' (or 'Mark') and 'Empty' levels.</p>	<div style="border: 1px solid black; padding: 2px; text-align: center;">PAPER SENSOR LEVEL P*198 G*004 E*014</div> <p style="text-align: center;">↓</p> <div style="border: 1px solid black; padding: 2px; text-align: center;">GAP SENSOR LEVEL P*198 G*004 E*014</div> <p style="text-align: center;">↓</p> <div style="border: 1px solid black; padding: 2px; text-align: center;">EMPTY SENSOR LEVEL P*198 G*004 E*014</div> <p style="text-align: center;"><i>Or, for reflective media:</i></p> <div style="border: 1px solid black; padding: 2px; text-align: center;">PAPER SENSOR LEVEL P*015 M*181 E*213</div> <p style="text-align: center;">↓</p> <div style="border: 1px solid black; padding: 2px; text-align: center;">MARK SENSOR LEVEL P*015 M*181 E*213</div> <p style="text-align: center;">↓</p> <div style="border: 1px solid black; padding: 2px; text-align: center;">EMPTY SENSOR LEVEL P*015 M*181 E*213</div>	<p>The selection will flash and the display heading will change to indicate the item for entry.</p>
17	<p>After all entries have been made, press the ESC  Key to back out of the menu and then press the ENT  Key to save the settings and return to the Ready Mode.</p>	<div style="border: 1px solid black; padding: 2px; text-align: center;">SAVE CHANGES? ENTER KEY = YES</div>	<p>From 'Ready', press the FEED Key to advance to the next label TOF.</p>

 Note: If the Advanced Entry Calibration fails, try the following procedure.

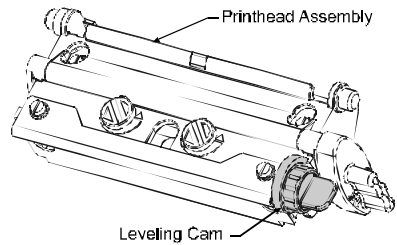
Re-enter Media Settings / Calibration / Advanced Entry / Sensor Gain and lower the selected Gain Setting number by one (to make the sensor less sensitive). Select the new Gain Setting, save the changes, exit the menu, and then test your media. Repeat the procedure until a usable media setting is obtained.

5.1 Printhead Adjustments


To ensure consistent print quality over a wide range of media types and dimensions, the printer is equipped with a Leveling Cam adjustment and a Burn Line adjustment.

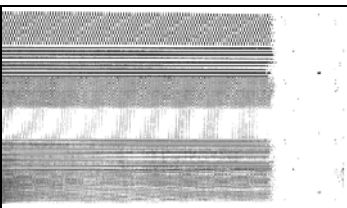
5.1.1 Leveling Cam Adjustment

When printing on less than full width media, use the Leveling Cam to adjust the right side of the Printhead Assembly for even pressure distribution. To adjust the Leveling Cam:



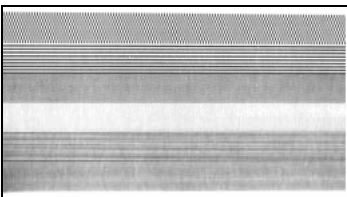
- 1 With media loaded in the printer, download your label format (or use a Quick Test format) and begin batch printing.
- 2 While observing the printed labels, rotate the Leveling Cam counter-clockwise to an over-adjusted position (see Example 1, below).
- 3 Next, rotate the Leveling Cam clockwise, one click at a time, until the printed labels contain a complete, even image (see Example 2).

 When changing to a different width of label, readjust the Leveling Cam.



Example 1 – Over adjustment:

Too much adjustment produces an image that fades across the label. To correct this, decrease the setting of the Printhead Leveling Cam.



Example 2 – Correct adjustment:

The proper adjustment produces a complete image with even print contrast across the label (see note below).

Note: Under-adjustment of the Leveling Cam: Problems can include ribbon wrinkling, label tracking, and platen roller and printhead wear.

5.1.2 Burn Line Adjustment

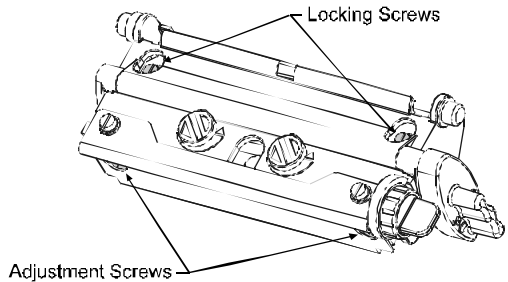
The Burn Line has been adjusted at the factory for strict compliance using 6.5-mil (.0065 inch) media, ensuring print quality across a majority of media types. In extreme cases, however, if media of a different thickness or rigidity is used (for example, heavy tag stock), print quality can change. Try the suggestions in Section 2.1.1 and 5.3.1. If print quality remains unacceptable, an adjustment may be required. Typically, thicker media requires a slight forward adjustment, while thinner media requires a slight backward adjustment.



If you have questions, contact a qualified technician or Datamax Technical Support before proceeding.

To adjust the Burn Line:

- 1 Load the printer with your media (and ribbon, if required), lower the printhead assembly and rotate the printhead latch back into the locked position.



- 2 Loosen the two Locking Screws approximately $\frac{1}{4}$ turn counter-clockwise.
- 3 Turn the Adjustment Screws counter-clockwise until the burn line is past the platen roller vertex. Print a Validation Label from the Quick Test menu; see Section 4.3.5. The label should look light and uneven.
- 4 Tighten the Locking Screws just until they are 'snug' (tight enough to remove any play in the printhead assembly, yet loose enough to allow the Adjustment Screws to move the printhead).
- 5 Turn each Adjustment Screw clockwise about a $\frac{1}{4}$ turn (or an $\frac{1}{8}$ turn for finer adjustments, see note below). Print another Validation Label and examine the print quality. Repeat this step until the labels are produced with even print contrast and acceptable print quality are produced.

Note: When the Locking Screws are 'snug', turning the Adjustment Screws counter-clockwise will NOT move the printhead outward; if you have adjusted the printhead too far inward, restart the entire procedure.

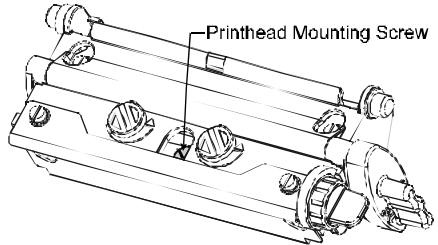
- 6 Tighten the Locking Screws. Print a final Quick Test label to verify the adjustment.

5.2 Printhead Replacement

Note: Printheads are fragile; use extreme care when handling and never use a sharp object on the surface. If you have questions, contact a qualified technician or Datamax Technical Support before proceeding.

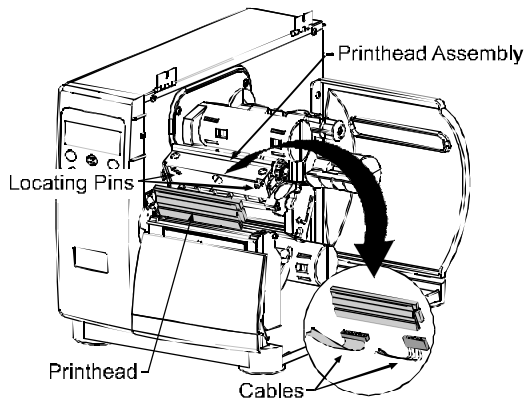
To replace the printhead:

- 1 Touch a bare metal part of the printer's frame to discharge any static electricity that may be present on your body.
- 2 Turn 'Off' and unplug the printer. Open the access cover; if ribbon is installed, remove it.
- 3 With the printhead locked in the down position, loosen the Printhead Mounting Screw (it will remain in the assembly).
- 4 Rotate the printhead latch forward. While holding the Printhead, raise the assembly. Disconnect the two Cables and then remove the old Printhead.



- 5 While carefully holding the new Printhead, connect both Cables.

- 6 Position the Printhead onto the Locating Pins in the Printhead Assembly and secure in place with the Printhead Mounting Screw (do not over-tighten). Please note that a printhead alignment is normally not required.



- 7 Clean the Printhead; see Section 5.3.1.
- 8 Reload ribbon (if removed), lower the printhead assembly, and rotate the printhead latch back, into the locked position. Plug in and turn 'On' the printer. Print a Validation Label (Section 4.3.5) and if necessary, adjust the Print Control/Custom Adjustments/Darkness setting (Section 4.1.3) so that the print contrast produced by the new printhead matches the previous one.

5.3 Maintenance Schedule

The following list and table detail the recommended items, techniques, and schedules to help you safely and effectively maintain the printer.

- Isopropyl alcohol
- Cotton swabs
- A clean, lint-free cloth
- Soft-bristle brush
- Soapy water/mild detergent
- Compressed air



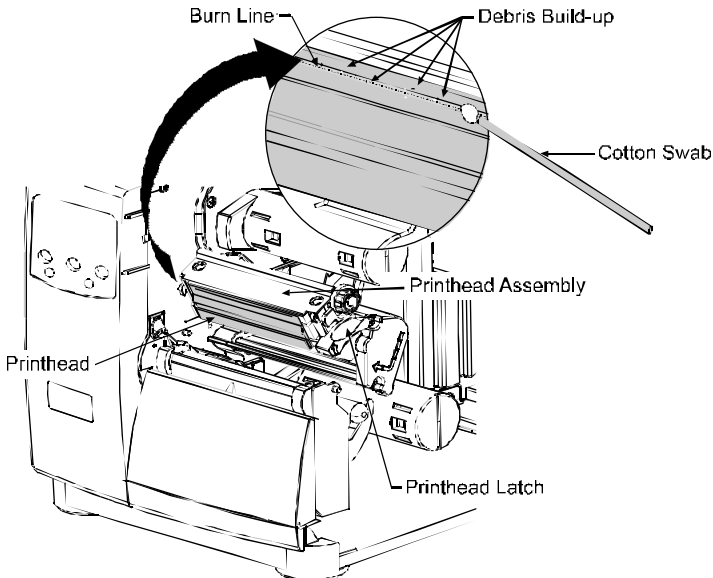
For your safety and to avoid damaging the printer, turn 'Off' and unplug the printer before cleaning; and take proper precautions when using isopropyl alcohol, a flammable liquid.

Recommended Cleaning Schedule		
Area	Method	Interval
Printhead	Using a cotton swab dampened with isopropyl alcohol, clean the printhead from end to end, removing all build-up. See Section 5.3.1.	Clean after each roll or box of labels, or after each roll of ribbon.
Platen Roller	Using a cotton swab dampened with isopropyl alcohol, rotate the platen and remove all build-up. See Section 5.3.2.	Clean after each roll or box of labels, or after each roll of ribbon.
Media Path / Tear Plate	Compressed air / soft-bristle brush and isopropyl alcohol. Remove all build-up along the path that the ribbon and paper follow through the printer.	As needed, based on a weekly visual inspection.
Media Sensor	Compressed air. If needed, a swab dampened with isopropyl alcohol. Remove all build-up.	Monthly or as needed.
Interior	Soft-brush or compressed air. Remove all build-up. See Section 5.3.3.	As needed.
Exterior	Mild detergent. Remove all build-up. See Section 5.3.3.	As needed.
Cutter	Refer to the documentation supplied with the option.	
Scanner	Refer to the documentation supplied with the option.	

5.3.1 Cleaning the Printhead

If print quality declines (symptoms include non-compliant bar codes, print dropouts, streaks; see Section 4.3.4), the typical cause is debris build-up on the printhead. Furthermore, when the build-up is not removed it may lead to element failure, greatly reducing the life of the printhead. To clean the printhead:

- 1 Turn 'Off' and unplug the printer.
- 2 Open the access cover. Unlock the Printhead Latch and raise the Printhead Assembly. **Allow the printhead to cool before proceeding.**
- 3 Move media and ribbon away from the printhead as necessary.
- 4 Using a cotton swab moistened, not soaked, with isopropyl alcohol gently wipe away any build-up on the Printhead surface, paying close attention to the Burn Line. Allow the printhead to dry.
- 5 Replace the ribbon and media. Lower the Printhead Assembly and rotate the Printhead Latch completely back, to the locked position.
- 6 Close the cover. Plug in and turn 'On' the printer. Feed several labels to normalize tracking.

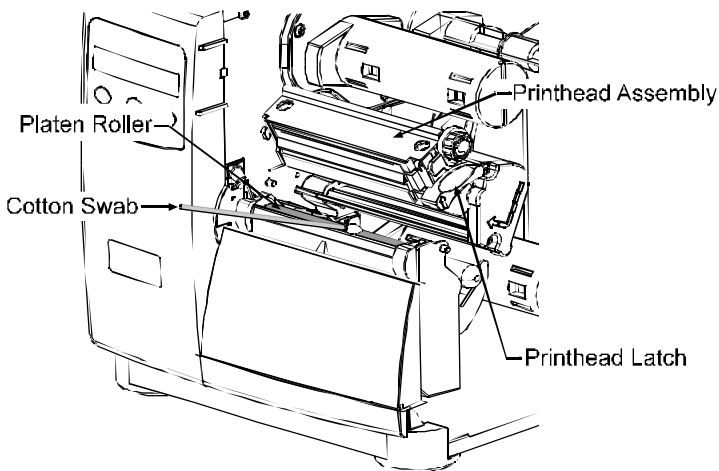


NEVER use a sharp object to clean the Printhead.

5.3.2 Cleaning the Platen Roller

A platen roller contaminated with grit, label adhesive, or ink can cause a decline in print quality and, in extreme cases, cause labels to stick and wrap around the roller. To clean the platen roller:

- 1 Turn 'Off' and unplug the printer.
- 2 Open the access cover. Unlock the Printhead Latch and raise the Printhead Assembly. Remove media and ribbon.
- 3 Using a Cotton Swab dampened with isopropyl alcohol, clean the Platen Roller; manually rotate the roller and repeat, cleaning the entire surface. Allow the Platen Roller to dry.
- 4 Replace ribbon and media.
- 5 Lower the Printhead Assembly and rotate the Printhead Latch completely back, to the locked position.
- 6 Close the access cover. Plug in and turn 'On' the printer. Feed several labels to normalize tracking.



NEVER use a sharp object to clean the Platen Roller.

5.3.3 Cleaning Interior and Exterior Surfaces

Interior Surfaces: During operation, dust particles from the media build-up inside the printer. Then, as the media is pulled through the printer, the particles can become attached and cause voids on the printed labels. To prevent this, turn 'Off' and unplug the printer. Remove all media. Using a soft bristle brush or compressed air, clean out the interior of the printer.

Exterior Surfaces: The outer surfaces of the printer should be cleaned using a general-purpose cleanser. Never use abrasive cleansers or solvents. To clean, turn 'Off' and unplug the printer. Using a soft cloth or sponge dampened with the cleanser, wipe the exterior surfaces until clean.

5.4 Application Program Updates

The printer stores its application program in Flash memory on the Main PCB. A feature is included that allows updates to this program version through any printer interface port. Updates can be found at <ftp://ftp.datamaxcorp.com>.

There are two modes in which the firmware of the printer can be updated: (1) the Ready Mode, or (2) the Download Mode. Before beginning an update, identify the current version of the printer's application program by printing a Configuration Label (see Section 4.3.2). Compare that version string to those filenames available from our FTP site and then download the desired file onto your computer's hard drive.

Proceed with the printer update accordingly:

- If the current application version is 2.091 or greater, refer to Section 5.4.1 or Section 5.4.2.
- If the current application version is 2.08 or earlier, refer to Section 5.4.2.



Should an error occur during the download (see Section 5.4.3), the update is aborted. If this process did not reach 'Erasing Flash' or 'Updating Software', the previous program is left intact; otherwise, a successful download must be completed before the printer is operable.

Note: Users desiring a foreign language menu: After updating from 2.xx to 3.xx firmware for the first time, you must also download the EFIGS menu language file. Go to the EFIGS ftp directory and copy 832296.01C (or most current version) to lpt1: /b (the DOS Copy command requires the /b parameter because this file contains binary code).

5.4.1 Updating from the Ready Mode

Update Procedure for Application Version 2.091 or greater			
Step	Displayed Message	Operator Action	Comment(s)
1	READY	Using the DOS copy command (where 'filename' is the program to be loaded and 'lpt1' is the selected interface port), enter the following: copy filename lpt1:	As an example, this would be entered as: copy 4212tb~1.zs lpt1 (Where 'lpt1' is the host computer's port; however, this selection can differ to include a serial or other port, as the printer is equipped.) The Ready Indicator will flash as data is received.
2	UPGRADING SOFTWARE	No action required.	The new application program is being stored and verified.
3	4212 3.04 07/26/2000	No action required.	The printer has reset automatically and is now displaying the new firmware version.
4	READY	No action required.	The new application is now running. Note: If 'Uncalibrated' is displayed, the printer must be calibrated (see Section 5.0).

5.4.2 Updating from the Download Mode

Required Update Procedure for Application Version 2.08 or earlier*			
Step	Displayed Message	Operator Action	Comment(s)
1	BOOT-PA10 02.08 2/11/00	Press and hold the PAUSE and TEST Keys while turning 'On' the printer to enter the Download Mode.	The Boot Loader version is displayed. Note: This information will vary with the printer model and Boot Loader version.
2	UPDATE SOFTWARE SEND SOFTWARE	Using the DOS copy command, copy the filename to the printer (for an example see 'Comment' Step 1 in Section 5.4.1).	The printer is ready to accept the new application version. Note: The parallel port (LPT1) must be used to write to the printer.
3	UPDATE SOFTWARE READING IMAGE	No action required.	The printer is receiving the new image (program).
4	ERASING FLASH SOFTWARE IMAGE	No action required.	The program has been received and verified; now memory is being cleared of the previous application.
5	WRITING FLASH SOFTWARE IMAGE	No action required.	The new program is being written into Flash memory. Upon completion, the printer will automatically reset and start the new application. Note: If 'Uncalibrated' is displayed, the printer must be calibrated (see Section 5.0).

*This can also be used as an alternate download method for all other version levels.

5.4.3 Possible Problems during an Update

The following is list of possible error messages when downloading:

Note: *If experiencing trouble when attempting to download the file to the printer, try the following alternate methods:*

- 1) *Use the Download Mode (see Section 5.4.2).*
- 2) *Windows users – try restarting the computer in MS-DOS mode.*
- 3) *Use the Datamax Driver by Seagull Scientific™ – Device Setting / Send File to Printer function.*

Application Update Error Messages	
Displayed Message	Descriptions / Causes / Solutions
DECOMPRESSION ERROR	The printer detected an error during the decompression and transfer of file data from cache storage into the Flash memory. Confirm the version and retry in Download Mode; however, if the problem continues call for service.
ERROR ERASING FLASH	The printer could not successfully erase Flash memory. The possible cause is defective Flash memory. Try the download again; however, if the problem continues call for service.
ERROR WRITING FLASH	The printer could not successfully write the program into Flash memory. A possible cause is defective Flash memory. Try the download again; however, if the problem continues call for service.
HARDWARE MISMATCH DATA REJECTED	Application Firmware downloaded was not compatible with the printer's Main PCB. The firmware used was for a different class model and not supported by this boot loader version. See Configuration Level, Section 4.1.5.
INVALID SOFTWARE DATA REJECTED	The printer detected an error in the download. The possible causes include: An invalid or corrupted file was downloading. Try saving the file to the host and then download again. A communications error. Recheck cabling and port setting.
SOFTWARE MISMATCH DATA REJECTED	Software level not authorized for this printer (See Section 4.1.5, Configuration Level/Printer Key.)

5.5 Boot Loader Program Updates





The printer stores the Boot Loader Program in Flash memory on the Main PCB. A feature allows updates to this program via the printer's interface port. Updates can be found at <ftp://ftp.datamaxcorp.com>.



If power is lost while 'Upgrading Software' is displayed, the printer will become non-functional and must be returned to the factory for programming or the main logic board must be replaced.

Note: Only printers with an Application Version of 2.09 or greater can update the Boot Loader Program.

Before beginning the Boot Loader update, identify the printer's current version. Print a Configuration Label (see Section 4.3.2) and compare that version string to those available from our FTP site. Download the desired version onto your computer's hard drive. To update the Boot Loader Program:

Boot Loader Update Procedure			
Step	Displayed Message	Operator Action	Comment(s)
1		Using the DOS copy command (where 'filename' is the program to be loaded and 'lpt1' is the selected interface port), enter the following: copy filename lpt1:	As an example, this would be entered as: copy bootb~1.bs lpt1 (Where 'lpt1' is the host computer's output port; however, your selection can differ to include a serial or other port, as the printer is equipped.) The Ready Indicator will flash as data is received.
2		No action required.	The new program is being stored and verified.
3		No action required.	The printer has reset automatically.
4		No action required.	The new application is now running. Note: If 'Uncalibrated' is displayed, the printer must be calibrated (see Section 5.0).



Troubleshooting

6.0 Problem Resolution

Should a problem arise, the information in this section will help you resolve it. The following table lists problems that will not necessarily generate an error message. (For information on displayed messages, see Section 6.1.)



If you have questions, or if problems persist, contact a qualified technician or Datamax Technical Support.

If experiencing this problem...	Try this solution...
Can not communicate through the parallel port:	Observe the Ready Indicator as the format is sent to the printer. If it does not flash, check the parallel cable type. Also check the protocol and port settings of the printer and host.
Can not load media through the optional cutter:	WARNING! Use extreme care. Turn 'Off' and unplug the printer before proceeding.
	Ensure that the cutter and cutter cable are properly installed. Plug in and turn 'On' the printer. You should hear the cutter blade rotate and position itself properly. However, if the problem continues call for service.
The LCD is blank, but the Ready Indicator is 'On':	The display contrast may set too low. Press and hold the MENU Key for 10 seconds or until the display reappears.
Erratic feeding:	The printer may require a Quick Media Calibration; see Section 3.4.

If experiencing this problem...	Try this solution...
Erratic printing (instead of the label format, strange characters are printed):	<p>The printer may be in Hex Dump Mode; see Section 6.2.</p> <p>If using the serial port for communicating, check both the host and printer port settings; the printer may be set to eight data bits while the host is set to 7 (or vice versa).</p>
Intellifont will not print:	Intellifont format is Little/Big Endian specific. The printer uses Big Endian. Refer to your font supplier for information.
Light print on the right side (facing the printer) of the label:	<p>The Printhead Leveling Cam may be incorrectly adjusted; see Section 5.1.1.</p> <p>The Platen Roller may be dirty or worn; see Section 5.3.2.</p>
Missing information in the printed label:	<p>Check the label format for character placement outside the dimensions of the label; all row/column values must allow enough space for the height/length of the characters and bar codes to be printed within the format size.</p> <p>The available memory may have been exceeded by the memory requirement of the label format. Try reducing the memory allocated to either the internal module or scaleable font caches; see System Settings / Memory Settings, Section 4.1.5.</p> <p>If using serial communications, ensure that the interface cable meets the requirements found in Section 3.0.1.</p>
Missing print on left or right side of the label:	Information may be formatted outside the label dimensions. Check your software program label size or check the values in the menu for Print Control / Column Offset and Print Control / Custom Adjustments / Column Offset; see Section 4.1.3.

If experiencing this problem...	Try this solution...
<p>No power (all indicator lights are 'Off'):</p>	<p>Verify that the AC power cord connection has been made at both the outlet and the printer; also, ensure the power switch is 'On'.</p> <p>Verify that the AC outlet is functioning, or try moving the printer to another AC circuit.</p> <p>The AC cord may be damaged; replace it.</p> <p>The line fuse may be blown; call for service.</p>
<p>Nothing is printing (labels advance normally, but no image is printed):</p>	<p>Examine the used ribbon for an image:</p> <p>If there is an image on the used ribbon:</p> <ul style="list-style-type: none"> • Verify that the ribbon was properly loaded per Section 3.3. • If properly loaded, the wrong coating configuration was used. (To verify the inked side, press the adhesive backing of a label against the ribbon surface. Ink will only lift from the coated side of the ribbon.) Clean the printhead (see Section 5.3.1); then replace the ribbon with the correct type for the printer, Section 3.3. <p>If there is no image on the used ribbon:</p> <p>Run any Quick Test Label; see Section 4.3. If an image printed, then check the protocol and port settings for both the printer and host. These must match.</p> <p>The heat setting may be too low. Make an adjustment in the software program or through the Front Panel. (The same functional commands from the host computer may override the menu settings; see Section 4.1.6.)</p> <p>The media/ribbon combination may be incorrect. Contact a Media Representative.</p> <p>The printhead or printhead cable(s) may be loose; power 'Off' the printer then reconnect; see Section 5.2 for locations.</p>

If experiencing this problem...	Try this solution...
Nothing happens when trying to print using a software program:	<p>Ensure that the printer is at READY.</p> <p>Observe the Front Panel, if the READY light does not flash as you send the format check the protocol and port settings between the printer and host.</p> <p>Ensure the interface cable meets the requirements found in Section 3.0.1.</p>
Poor print quality:	<p>The printhead may need cleaning; see Section 5.3.1.</p> <p>Adjust the Heat and Print Speed settings through the Front Panel or by host commands; see Section 4.1.3. (The same functional commands from the host computer may override the menu settings; see Section 4.1.6.)</p> <p>The media/ribbon combination may not be compatible; see Section 2.1.</p> <p>The Printhead Leveling Cam may be incorrectly adjusted; see Section 5.1.1.</p> <p>The Platen Roller may be dirty or worn; see Section 5.3.2.</p> <p>The Printhead Burn Line may need adjusting; see Section 5.1.2.</p>
Skips labels when printing:	<p>Quick Media Calibration may be needed; see Section 3.4.</p> <p>The Media Sensor may be out of position; readjust the position; see Section 3.2.</p> <p>The format may be within 1/8 inch of the label's edge. Try reducing or moving the format slightly.</p>
Unable to print rotated text:	<p>The characters may be formatted outside the label dimensions. Ensure the row/column values provide enough room for the height of the characters or bar code to be printed. See the <i>I & W Class Programmer's Manual</i> for details.</p>

6.1 Fault and Warning Messages

All printer functions are internally monitored. If a problem (Fault) or a potential problem (Warning) is detected, the Error Indicator (see Section 4.0.4) will be illuminated. A corresponding message will be displayed (if not within a branch of the menu system or in Quick Test Mode). These messages, along with possible solutions, are described below.

Fault Messages:

Fault Messages receive the highest display priority. If more than one fault is detected the display will cycle between messages.

☑ Note: To return to normal operation after the printer enters a fault condition, the fault must be corrected and then the FEED Key must be pressed to clear the condition.

Printer Fault Messages		
Displayed Message	Description	Possible Solution(s)
24V OUT OF TOLERANCE	The printer has detected a drop in the 24-volt power supply.	Try cycling the printer power 'Off' and 'On'. If the fault does not clear, call for service.
ADC FAULT	The printer has detected an analog to digital circuit converter failure.	Try cycling the printer power 'Off' and 'On'. If the fault does not clear, call for service.
CUTTER FAULT	The printer has detected a cutter mechanism fault.	<div style="border: 1px solid black; padding: 5px; margin-bottom: 10px;"> <p>WARNING! Use extreme care. Turn 'Off' and unplug the printer before proceeding.</p> </div> <p>Examine the cutter for obstructions and ensure that the cutter cable is properly installed.</p> <p>Plug in and turn 'On' the printer. Press the FEED Key. If the fault does not clear, call for service.</p>

Printer Fault Messages *(continued)*

Displayed Message	Description	Possible Solution(s)
<div style="border: 1px solid black; padding: 2px; width: fit-content;">DMA FAULT</div>	The printer has detected a Direct Memory Access failure.	Try cycling the printer power 'Off' and 'On'. If the fault does not clear, call for service.
<div style="border: 1px solid black; padding: 2px; width: fit-content;">GAP MODE CANNOT CALIBRATE</div>	Consistently low sensor readings were detected.	Press any key to continue. Ensure that media was inserted in the media sensor during the appropriate calibration step; also ensure that the sensor is free of debris. Retry the calibration. If the problem persists, try the 'Advanced Entry Calibration'; see Section 5.0.2.
<div style="border: 1px solid black; padding: 2px; width: fit-content;">GAP MODE FAULTY SENSOR</div>	Consistently high sensor readings were detected.	Press any key to continue. Ensure that media was removed from the media sensor during the appropriate calibration steps; also ensure that no labels are stuck in the media sensor. Retry the calibration. If the problem persists, call for service.
<div style="border: 1px solid black; padding: 2px; width: fit-content;">OUT OF STOCK</div>	The printer can not detect media.	Try the following: <ol style="list-style-type: none"> 1) Load media. 2) Ensure that the labels are passing through the Media Sensor. 3) Readjust the Media Sensor over the TOF mark; see Section 3.2. 4) If using media with large gaps, adjust the Paper Out Distance; see Section 4.1.2. 5) Calibrate the printer; see Section 5.0.

Printer Fault Messages *(continued)*

Displayed Message	Description	Possible Solution(s)
<p align="center">POSITION FAULT</p>	<p>Two possible causes:</p> <p>(1) The printer was powered-off or reset during a ribbon, out of stock or TOF fault; or (2) the printer was unable to complete the Media Calibration.</p>	<p>Depending upon the cause:</p> <p>(1) Press the FEED Key in an attempt to identify and then clear the related fault condition; or (2) if necessary, calibrate the printer; see Section 5.1.</p>
<p align="center">PRINT ENGINE FAULT</p>	<p>The printer has detected a problem within the print logic.</p>	<p>Try cycling the printer power 'Off' and 'On'. If the fault does not clear, call for service.</p>
<p align="center">RAM FAULT</p>	<p>The system has detected a RAM failure.</p>	<p>Try cycling the printer power 'Off' and 'On'. If the fault does not clear, call for service.</p>
<p align="center">REFLECTIVE MODE CANNOT CALIBRATE</p>	<p>Consistently low sensor readings were detected.</p>	<p>Press any key to continue. Ensure that the reflective mark was inserted facedown in the media sensor during the appropriate calibration step; also, ensure that the reflective mark is made of carbon based ink, and that the sensor is free of debris. Retry calibration. If the problem persists, try an 'Advanced Entry Calibration'; see Section 5.0.2.</p>

Printer Fault Messages *(continued)*

Displayed Message	Description	Possible Solution(s)
<pre>REFLECTIVE MODE FAULTY SENSOR</pre>	Consistently high sensor readings were detected.	Press any key to continue. Ensure that media was removed from the media sensor during the appropriate calibration steps; also ensure that no labels are stuck in the media sensor. Retry the calibration. If the problem persists, call for service.
<pre>RIBBON FAULT</pre>	The ribbon sensor values have changed, or the printer detects no or only sporadic ribbon supply hub movement.	Try the following: <ol style="list-style-type: none">1) Ensure that ribbon is correctly loaded and that the printhead assembly is latched.2) Check the ribbon supply and ribbon take up hubs for obstructions that may be stopping movement.3) Ensure that the ribbon core fits snugly on the ribbon supply hub.4) Ensure that the media and paper combination is not slipping (usually caused by an incorrect match).

Printer Fault Messages *(continued)*

Displayed Message	Description	Possible Solution(s)
<div style="border: 2px solid black; padding: 2px; width: fit-content;">SCANNER FAULT</div>	<p>The Scanner could not successfully pass a bar code.</p> <div style="border: 1px solid black; padding: 5px; margin-top: 10px;"> <p>☑ Note: <i>This is a normal condition when a bar code is not readable.</i></p> </div>	<p>Press the FEED Key to clear. If the bar code is free from anomalies (e.g., voids, insufficient quiet zones, etc.) yet the fault continues, try the following:</p> <ol style="list-style-type: none"> 1) Ensure that the bar code is capable of being read by the scanner; see the list in Appendix B. 2) Increase the Heat value. 3) Enable only those bar codes to be decoded. 4) Decrease the Print Speed or increase the height of the bar code. 5) Decrease the Verification Level. 6) Ensure the ribbon used contains carbon-based inks. 7) Ensure that the label stock has a matte finish. <p>If the fault does not clear, and the bar code is readable on other scanners, possible misalignment; consult the <i>Linear Scanner Operation Instructions</i>, or call for service.</p>
<div style="border: 2px solid black; padding: 2px; width: fit-content;">TEMPERATURE FAULT</div>	<p>The printer has shutdown to allow the printhead temperature to cool.</p>	<p>Turn 'Off' the printer until cool to prevent permanent damage due to an excessive printhead temperature.</p>

Printer Fault Messages *(continued)*

Displayed Message	Description	Possible Solution(s)
<p align="center">TOP OF FORM FAULT</p>	<p>The printer could not find the TOF mark within the maximum label length setting or it found a TOF in an unexpected place.</p> <p>Note: <i>When the printer is set for reflective media, this fault is given for an out of stock condition.</i></p>	<p>If media is moving:</p> <ol style="list-style-type: none"> 1) Press the FEED Key. It may be necessary to re-calibrate the printer; see Section 5.0. 2) The Media Sensor may be out of position. Readjust it; see Section 3.2. 3) The media may not be properly loaded. Reload media, also ensure that the Media Guide is positioned properly; see Section 3.1. 4) The Leveling Cam may be improperly adjusted; see Section 5.1.1. 5) The label may be longer than the default value for maximum length. Check the Media Settings / Maximum Label Length; see Section 4.1.2. 6) The Media Sensor may be obstructed. Check and carefully remove any obstruction (labels, paper dust, adhesive, etc). <p>If media is not moving:</p> <p>The printhead assembly may not be latched; close and lock it.</p>

Printer Fault Messages (continued)		
Displayed Message	Description	Possible Solution(s)
VERIFIER FAULT	<p>The Verifier could not successfully pass a bar code.</p> <p>Note: This is a normal condition when a bar code is not verifiable.</p>	<p>Simultaneously press the ENTER and F1 Keys on the Verifier to clear. If the fault continues consult the <i>DMX 2970 Operators Manual</i>.</p>

Warning Messages:

Warning Messages are displayed for a period of five seconds. If multiple warnings are detected, the display will reflect the highest priority message.

Printer Warning Messages		
Displayed Message	Description	Action(s)
DOT FAILURE	The printer has detected defective printhead elements.	Replace the printhead if the print quality becomes unacceptable.
GAP MODE WARNING LOW BACKING	The printer measured only a small difference between the 'empty' and 'gap' sensor readings.	Transparent backing or notched media typically gives this indication. In this case, there may be a slight delay in the 'Out of Stock' indication, after the media supply is emptied; no action is required.
GOODBYE	Power has been removed and shutdown is in progress.	The printer power switch was turned 'Off', the line fuse has blown, or AC line voltage has been lost.
HOST CHANGES PENDING	The host has pending configuration changes that will not take effect until a 'host reset command' is issued.	To save changes, send a host reset command (in DPL), or to discard changes perform a soft reset; see Section 4.0.6.1.

Printer Warning Messages		
Displayed Message	Description	Action(s)
LOW VOLTAGE	The printer has detected a low operating voltage.	Possible low or fluctuating line voltage level. Try moving the printer to another outlet. When more than 50% black is being printed, try reducing the Heat Value or the size of the black image. If the condition persists, call for service.
RTC RAM FAILURE	The printer was unable to save settings in permanent memory.	Possible faulty Main PCB. If the condition persists, call for service.
TEMPERATURE PAUSE	A high printhead temperature has been detected.	No action required. Printing will resume after the printhead cools.

6.2 Hex Dump Mode

The Hex Dump Mode is a useful tool for diagnosing problems, including communication and DPL syntax errors, allowing a comparison of input strings (sent by host) to output data (received by printer). To decode this information, the *I & W Class Programmer's Manual* is an essential reference. This output can be used for debugging the label format. In addition, by repeatedly sending a format, this mode can uncover handshaking problems (if they exist). Handshaking problems are identified by sections of missing data in the character string.

To begin, go to the Diagnostics menu and enable Hex Dump Mode; see Section 4.1.7. Exit the menu and save the changes. Now, 'HEX DUMP MODE' will be indicated by the display and all data sent to the printer will now be output in hexadecimal code, along with the printable ASCII equivalents.

The figure below is a sample Hex Dump Label. After sending a label format to the printer, the hex code output will be immediate. As a final note, many software programs use bit mapping to construct the label, making diagnosis difficult. Contact Datamax Technical Support with any questions.

```
0000 02 4C 0D 44 31 31 00 31 ^L_011.1
0006 36 31 31 30 30 30 30 33 61100003
0010 32 30 30 30 31 30 46 4F 200010FO
0018 4E 54 20 36 3A 20 41 4C NT 6: AL
0020 4C 20 56 41 4C 49 44 20 L VALID
0028 20 20 20 20 20 20 20 20
0030 20 20 20 00 31 36 31 31      1611
0038 30 30 30 30 32 38 30 30 00002800
0040 30 31 30 20 20 20 20 20 010
0048 20 20 20 43 48 41 52 41 CHARA
0050 49 54 45 52 53 3A 00 31 CTERS: 1
0058 36 31 31 30 30 30 30 32 61100002
0060 34 30 30 30 31 30 23 24 400010#$
0068 25 26 28 29 2A 2B 2E 2D %&()*+,-
```

Note: To return to Ready Mode, re-enter the Diagnostics Menu and disable the Hex Dump Mode, exit the menu, then save the changes.



Printer Specifications

7.0 General Specifications

Bar Codes

(See the *I & W Class Programmer's Manual* for details. See Appendix B for samples.)

Code 39, Interleaved 2 of 5, Code 128 (subsets A, B and C), Codabar, LOGMARS, UPC-A, UPC-E, UPC 2 & 5 digit addendums, EAN-8, EAN-13, EAN 2 & 5 digit addendums, UPC Random Weight, Code 93, Plessey, Universal Shipping Container Symbology, Code 128 MOD 43, Postnet, USS/EAN-128 Random Weight, Telepen, USD-8 (Code 11), UPS MaxiCode (modes 2 & 3), PDF417, Data Matrix, QR Code, Aztec, and MicroPDF417.

Fonts

9 Bit-Mapped Fonts, rotatable 0, 90, 180, 270 degrees

CG Triumvirate Scalable Font

CG Triumvirate Condensed Bold Scalable Font

Communications

Interfaces: EIA RS-232/DB-25 Serial, and
IEEE 1284 Compliant Parallel

Serial Data Rates: 1200, 2400, 4800, 9600, 19.2K, and 38.4K baud.

Handshaking: Xon/Xoff; CTS/DTR

Parity: Even, Odd, or None

Stop Bits: 1 or 2

Data Bits: 7 or 8

Electrical

Input Voltage: 90 – 132 or 180 – 264 VAC @ 47–63 Hz, auto-ranging.

Power Consumption: Typical Operating: 90 Watts / Standby: 10 Watts

Grounding: Unit must be connected to a properly grounded receptacle.

Environmental Requirements

Operating Temperature:	32 F – 100 F (0 C to 38 C)
Storage Temperature:	0° F – 140° F (-17° C to 60° C)
Humidity:	10% – 95% non-condensing
Dust:	Non-conducting, non-corrosive
Electromagnetic Radiation:	Moderate RF fields can be tolerated

Mechanical

Height:	12.70” (322.6 mm)
Width:	12.62” (320.6 mm)
Depth:	18.60” (472.5 mm)
Weight:	45 lbs. (20.5 kg)

Printing Specifications

Printing Type:	Direct Thermal or optional Thermal Transfer
Print Speed:	2 – 6 IPS (51 – 152 mmps) <i>I-4206</i> 2 – 8 IPS (51 – 203 mmps) <i>I-4208</i> 2 – 12 IPS (51 – 305 mmps) <i>I-4212</i> 2 – 8 IPS (51 – 203 mmps) <i>I-4308</i> 2 – 6 IPS (51 – 152 mmps) <i>I-4406</i> 2 – 4 IPS (51 – 102 mmps) <i>I-4604</i>
Printhead Resolution:	203 DPI (8.0 dots/mm) <i>I-4206, I-4208, I-4212</i> 300 DPI (11.8 dots/mm) <i>I-4308</i> 406 DPI (16.0 dots/mm) <i>I-4406</i> 600 DPI (23.6 dots/mm) <i>I-4604</i>
Nominal Dot Size:	.0043” X .0052” (.11 mm x .13 mm) <i>I-4206,</i> <i>I-4208, I-4212</i> .0027” X .0043” (.07 mm X .11 mm) <i>I-4308</i> .0013” X .0018” (.05 mm X .07 mm) <i>I-4406</i> .0008” X .0015” (.03 mm X .06 mm) <i>I-4604</i>
Printhead Protection Type:	Thermistor Sensor. Temporarily pauses printing if a high temperature is detected; after cool-down, printing resumes automatically.
Maximum Print Width:	4.10” (104.0 mm) <i>I-4206, I-4208, I-4212</i> 4.16” (105.7 mm) <i>I-4308</i> 4.10” (104.0 mm) <i>I-4406</i> 4.16” (105.7 mm) <i>I-4604</i>

Printing Specifications (continued)

Print Length Range:	.25" – 99" (6.4 mm – 2514.6 mm) <i>I-4206, I-4208, I-4212, I-4308</i> .25" – 84" (6.4 mm – 2133.6 mm) <i>I-4406</i> .25" – 55" (6.4 mm – 1397 mm) <i>I-4604</i>
with an optional cutter:	1.25" – 99" (31.8 mm – 2514.6 mm) <i>I-4206, I-4208, I-4212, I-4308</i> 1.25" – 84" (31.8 mm – 2133.6 mm) <i>I-4406</i> 1.25" – 55" (31.8 mm – 1397 mm) <i>I-4604</i>
with an optional peel & present mechanism:	1.50" – 99" (38 mm – 2514.6 mm) <i>I-4206, I-4208, I-4212, I-4308</i> 1.50" – 84" (38 mm – 2133.6 mm) <i>I-4406</i> 1.50" – 55" (38 mm – 1397 mm) <i>I-4604</i>
Print Justification:	Left
Flash Memory:	1 MB <i>I-4206, I-4208</i> 2 MB <i>I-4212, I-4308, I-4406, I-4604</i>
SDRAM Memory:	8 MB <i>I-4206, I-4208</i> 16 MB <i>I-4212, I-4308, I-4406, I-4604</i>

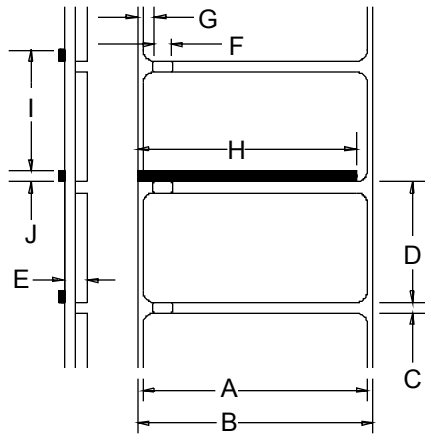
7.1 Media and Ribbon Requirements

Media Types:	Roll-Fed, Die-Cut, Continuous, and Fan-Fold. Flat on the printable side with no more than .0007" (.018 mm) protrusions on the opposite side.
Media Roll Capacity*:	8" (203 mm) outer diameter
Media Core:	1.5" or 3.0" (38 mm or 76.2 mm) inner diameter
Ribbon Core:	1.010" .006" (25.6 mm .2 mm) inner diameter. Core not to protrude beyond ribbon edge.
Ribbon Width Range**:	1.0" – 4.5" (25.4 mm – 114.3 mm)
Ribbon Length**:	1968' (600 meters) maximum

* Wound out labels only.

** Coated side 'in' or 'out' are NOT interchangeable, but dependent upon the Ribbon Supply Hub type. Also, the ribbon width should slightly exceed label width (including the backing material) to protect the printhead.

Media and Ribbon Requirements (continued)



Media Dimensions			
Designator	Description	Maximum ^[1]	Minimum ^[1]
A	label width	4.65	1.00
B	liner width	4.65	1.00
C	gap (or notch) between labels ^[4]	–	.100
D	label length ^[4]	–	.250
E	media thickness ^[2]	.0100	.0025
F	notch opening width	.500	.200
G	distance from the media's edge to the media sensor aperture (left justified)	2.250	.200
H	reflective (black) mark width ^[3]	4.65	.500
I	distance between reflective marks ^[4]	–	.500
J	reflective mark length ^[4]	–	.100

^[1]Units of measure given in inches.

^[2]If the optional Light-Duty Cutter is attached, it must be aligned to only cut liner, where the thickness can be no greater than .005" (.127mm).

^[3]The reflective (black) mark must be carbon based, placed on the backside of the stock, and the reflectance shall be less than 10% at wavelengths of 950 and 640 nm.

^[4]The maximum allowable length of the combined label and gap (or mark) measurement can not exceed 99.99 inches.

Approved Media

To achieve optimum print quality and maximum printhead life, *DATAMAX* brand media and ribbons are recommended. These supplies are specially formulated for use in this printer. The use of non-Datamax supplies may affect the print quality, performance, and life of the printer or its components (see the Warranty Statement). Consult Section 2.1 for an overview of the different media and ribbon types. For a current list of approved media and ribbons, contact a Media Representative at (407) 523-5650.



Appendix A

ASCII Control Code Chart

	Char	Dec	Hex	Char	Dec	Hex	Char	Dec	Hex	Char	Dec	Hex
Ctrl @	NUL	0	00		32	20	@	64	40	`	96	60
Ctrl A	SOH	1	01	!	33	21	A	65	41	a	97	61
Ctrl B	STX	2	02	“	34	22	B	66	42	b	98	62
Ctrl C	EXT	3	03	#	35	23	C	67	43	c	99	63
Ctrl D	EOT	4	04	\$	36	24	D	68	44	d	100	64
Ctrl E	ENQ	5	05	%	37	25	E	69	45	e	101	65
Ctrl F	ACK	6	06	&	38	26	F	70	46	f	102	66
Ctrl G	BEL	7	07	‘	39	27	G	71	47	g	103	67
Ctrl H	BS	8	08	(40	28	H	72	48	h	104	68
Ctrl I	HT	9	09)	41	29	I	73	49	i	105	69
Ctrl J	LF	10	0A	*	42	2A	J	74	4A	j	106	6A
Ctrl K	VT	11	0B	+	43	2B	K	75	4B	k	107	6B
Ctrl L	FF	12	0C	,	44	2C	L	76	4C	l	108	6C
Ctrl M	CR	13	0D	-	45	2D	M	77	4D	m	109	6D
Ctrl N	SO	14	0E	.	46	2E	N	78	4E	n	110	6E
Ctrl O	SI	15	0F	/	47	2F	O	79	4F	o	111	6F
Ctrl P	DLE	16	10	0	48	30	P	80	50	p	112	70
Ctrl Q	DC1	17	11	1	49	31	Q	81	51	q	113	71
Ctrl R	DC2	18	12	2	50	32	R	82	52	r	114	72
Ctrl S	DC3	19	13	3	51	33	S	83	53	s	115	73
Ctrl T	DC4	20	14	4	52	34	T	84	54	t	116	74
Ctrl U	NAK	21	15	5	53	35	U	85	55	u	117	75
Ctrl V	SYN	22	16	6	54	36	V	86	56	v	118	76
Ctrl W	ETB	23	17	7	55	37	W	87	57	w	119	77
Ctrl X	CAN	24	18	8	56	38	X	88	58	x	120	78
Ctrl Y	EM	25	19	9	57	39	Y	89	59	y	121	79
Ctrl Z	SUB	26	1A	:	58	3A	Z	90	5A	z	122	7A
Ctrl [Esc	27	1B	;	59	3B	[91	5B	{	123	7B
Ctrl \	FS	28	1C	<	60	3C	\	92	5C		124	7C
Ctrl]	GS	29	1D	=	61	3D]	93	5D	}	125	7D
Ctrl ^	RS	30	1E	>	62	3E	^	94	5E	~	126	7E
Ctrl _	US	31	1F	?	63	3F	_	95	5F		127	7F

ASCII Control Code Chart (continued)

Char	Dec	Hex	Char	Dec	Hex	Char	Dec	Hex	Char	Dec	Hex
Ç	128	80	á	160	A0		192	C0	Ó	224	E0
ü	129	81	í	161	A1		193	C1	ß	225	E1
é	130	82	ó	162	A2		194	C2	Ô	226	E2
â	131	83	ú	163	A3		195	C3	Õ	227	E3
ä	132	84	ñ	164	A4		196	C4	ö	228	E4
à	133	85	Ñ	165	A5		197	C5	Ö	229	E5
ã	134	86	a	166	A6	ã	198	C6	µ	230	E6
ç	135	87	°	167	A7	Ã	199	C7	þ	231	E7
ê	136	88	í	168	A8		200	C8	ÿ	232	E8
è	137	89	®	169	A9		201	C9	Ú	233	E9
ë	138	8A		170	AA		202	CA	Û	234	EA
ï	139	8B	1/2	171	AB		203	CB	Ü	235	EB
î	140	8C	1/4	172	AC		204	CC	ý	236	EC
ì	141	8D	ì	173	AD		205	CD	ÿ	237	ED
Ä	142	8E		174	AE		206	CE		238	EE
Å	143	8F	–	175	AF		207	CF		239	EF
É	144	90		176	B0	Ö	208	D0		240	F0
Æ	145	91		177	B1	D	209	D1	±	241	F1
Æ	146	92	2	178	B2	È	210	D2		242	F2
ó	147	93	3	179	B3	Ë	211	D3	3/4	243	F3
ö	148	94	´	180	B4	Ë	212	D4		244	F4
ò	149	95	Á	181	B5		213	D5		245	F5
ù	150	96	Â	182	B6	Ì	214	D6	÷	246	F6
û	151	97	Ã	183	B7	Í	215	D7	·	247	F7
ÿ	152	98	©	184	B8	Î	216	D8	°	248	F8
Ö	153	99	1	185	B9		217	D9	¨	249	F9
Û	154	9A		186	BA		218	DA	·	250	FA
Ø	155	9B	»	187	BB		219	DB		251	FB
£	156	9C		188	BC		220	DC		252	FC
Ø	157	9D	€	189	BD		221	DD		253	FD
x	158	9E	¥	190	BE	ì	222	DE		254	FE
f	159	9F		191	BF		223	DF	€	255	FF



Appendix B

Available Fonts and Bar Codes

All character fonts and bar codes available with the printer are described in this section. Each font and bar code has a name associated with it for use in programming. Human-readable fonts have numeric names, while bar code fonts have alpha names. Consult the *I & W Class Programmer's Manual* for detailed information.

Fonts

Fonts 0 through 8 use the slash zero (Ø) convention for distinguishing between the number zero and the letter O. The slash can be removed with the 'Z' label-formatting command. These fonts are non-proportional (monospaced): each character takes the same amount of space for printing.

The Triumvirate font number 9 is a proportional font: each character will take up a different amount of space when printed.

Font	Valid ASCII Characters
0	32-127
1	32-168, 171, 172, 225
2	32-168, 171, 172, 225
3	32, 35-38, 40-58, 65-90, 128, 142-144, 146, 153, 154, 156, 157, 165, 168, 225
4	32, 35-38, 40-58, 65-90, 128, 142-144, 146, 153, 154, 156, 157, 165, 168, 225
5	32, 35-38, 40-58, 65-90, 128, 142-144, 146, 153, 154, 156, 157, 165, 168, 225
6	32, 35-38, 40-58, 65-90, 128, 142-144, 146, 153, 154, 156, 157, 165, 168, 225
7	32-126
8	32, 48-57, 60, 62, 67, 69, 78, 83, 84, 88, 90
9	32-126, 128-169, 171-173, 181-184, 189, 190, 198, 199, 208-216, 222, 224 - 237, 241, 243, 246-250

The table below lists the font sizes; the numbers indicate the number of dots.

Font	Height	Width	Spacing
0	7	5	1
1	13	7	2
2	18	10	2
3	27	14	2
4	36	18	3
5	52	18	3
6	64	32	4
7	32	15	5
8	28	15	5

Font 0: 96-character alphanumeric, upper and lower case.

Font 0:

```
!"#$%&'()*+,-./
0123456789.:;<=>?@
ABCDEFGHIJKLMN0P
QRSTUVWXYZ[\]^_`
abcdefghijklmnopqrstuvwxyz
!@#%&'()*+,-./0123456789:;<=>?@
```

Font 1: 145-character upper and lower case alphanumeric with descenders and ascenders.

Font 1:

```
!"#$%&'()*+,-./0123456789:;<=>?@
ABCDEFGHIJKLMN0PQRSTUVWXYZ[\]^_`
abcdefghijklmnopqrstuvwxyz
CueaaaaaCeeeIiIAAEæffooo
uüyOÜø£Ø×fa iouñÑ@ø¿¼½¾
```

Font 2: 138-character alphanumeric, upper and lower case.

Font 2:

```
!"#$%&'()*+,-./0123456789:;<=>?@
ABCDEFGHIJKLMN0PQRSTUVWXYZ[\]^_`
abcdefghijklmnopqrstuvwxyz
CueaaaaaCeeeIiIAAEæffooo
uüyOÜø£Ø×fa iouñÑ@ø¿¼½¾
```

Font 3: 62-character alphanumeric, uppercase.

Font 3:

```
!"#$%&'()*+,-./0123456789:;<=>?@
ABCDEFGHIJKLMN0PQRSTUVWXYZ[\]^_`
CAAEÜø£ØÑ¿ß
```


Font 4: 62-character alphanumeric, uppercase.

FONT 4:
\$ % & () * + . - / 0 1 2 3 4 5 6 7 8 9 :
A B C D E F G H I J K L M N O P Q R S T U V W X Y Z
Ç Ä Å É Ö Ù £ Ø Ñ ¿ ß

Font 5: 62-character alphanumeric, uppercase.

FONT 5:
\$ % & () * + . - / 0 1 2 3 4 5 6 7 8 9 :
A B C D E F G H I J K L M N O P Q R S T U V W X Y Z
Ç Ä Å É Ö Ù £ Ø Ñ ¿ ß

Font 6: 62-character alphanumeric, uppercase.

FONT 6:
\$ % & () * + . - . /
0 1 2 3 4 5 6 7 8 9 :
A B C D E F G H I J K L
M N O P Q R S T U V W X Y Z
Ç Ä Å É Ö Ù £ Ø Ñ ¿ ß

Font 7: OCR-A, size I.

Font 8: OCR-B, size III.

Font 7:
 ! " # \$ % & ' () * + , - . /
 0 1 2 3 4 5 6 7 8 9 : ; < = > ? @
 A B C D E F G H I J K L M N O
 P Q R S T U V W X Y Z [\] ^ _ `
 a b c d e f g h i j k l m n o
 p q r s t u v w x y z { | } ~

Font 8:
 0 1 2 3 4 5 6 7 8 9
 < > C E N S T X Z I

Font 9: Internal Triumvirate font. The number in the bar code height field sets the point sizes. Larger point sizes can be obtained by increasing the height and width multipliers.

4 pt ABCDEFGHIJKLMNOPQRSTUVWXYZabcdefghijklmnopqrstuvwxyz0123456789
 5 pt ABCDEFGHIJKLMNOPQRSTUVWXYZabcdefghijklmnopqrstuvwxyz0123456789
 6 pt ABCDEFGHIJKLMNOPQRSTUVWXYZabcdefghijklmnopqrstuvwxyz0123456789
 8 pt ABCDEFGHIJKLMNOPQRSTUVWXYZabcdefghijklmnopqrstuvwxyz0123456789
 10 pt ABCDEFGHIJKLMNOPQRSTUVWXYZabcdefghijklmnopqrstuvwxyz0123456789
 12 pt ABCDEFGHIJKLMNOPQRSTUVWXYZabcdefghijklmnopqrstuvwxyz0123456789
 14 pt ABCDEFGHIJKLMNOPQRSTUVWXYZabcdefghijklmnopqrstuvwxyz0123456789
 18 pt ABCDEFGHIJKLMNOPQRSTUVWXYZabcdefghijklmnopqrstuvwxyz0123456789
 24 pt ABCDEFGHIJKLMNOPQRSTUVWXYZabcdefghijklmnopqrstuvwxyz0123456789
 30 pt ABCDEFGHIJKLMNOPQRSTUVWXYZabcdefghijklmnopqrstuvwxyz0123456789
 36 pt ABCDEFGHIJKLMNOPQRSTUVWXYZabcdefghijklmnopqrstuvwxyz0123456789
 48 pt ABCDEFGHIJKLMNOPQRSTUVWXYZabcdefghijklmnopqrstuvwxyz0123456789
 72 pt AB

Bar Code Summary Data

Bar Code fonts have alpha names (Bar Code ID): Lowercase names only print barcodes; uppercase names print barcodes with human-readable interpretations. The table is followed by visual samples.

Bar Code ID	Symbology	Length	Check-sum	Valid ASCII Characters, decimal value representation	Linear Scanner Supported
A	Code 39	Varies	No	32, 36, 37, 42, 43, 45-57, 65-90	✓
B	UPC-A	11	Yes	48-57 Numeric only. Option V used in the 6th & 7th position	✓
C	UPC-E	6	Yes	48-57 Numeric only	✓
D	Interleaved 2 of 5 (I2 of 5)	Varies	No	48-57 Numeric only	✓
E	Code 128	Varies	M-103	32-127	✓
F	EAN-13	12	Yes	48-57 Numeric only. Option V used in 7th & 8th position	✓
G	EAN-8	7	Yes	48-57 Numeric only	✓
H	HBIC	Varies	M-43	32, 36-39, 42, 43, 45-57, 65-90	✓
I	Codabar	Varies	No	36, 43, 45-58, 65-68	✓
J	Interleaved 2 of 5 with a modulo 10 checksum	Varies	M-10	48-57 Numeric only	✓
K	Plessey	Up to 14	M-10	48-57 Numeric only. Option + is last character for second M-11 chksum	✓
L	Interleaved 2 of 5 with modulo 10 checksum & bearer bars	13	M-10	48-57 Numeric only	✓
M	2 digit UPC addendum	2	Yes	48-57 Numeric only	[1]
N	5 digit UPC addendum	5	Yes	48-57 Numeric only	[1]
O	Code 93	Varies	No	35-38, 42-58, 65-90, 97-122	✓
p	Postnet	Varies	Yes	48-57 Numeric only	
Q	UCC/EAN 128	19	Yes	48-57 Numeric only	✓
R	UCC/EAN 128 K-Mart non-EDI	18	Yes	48-57 Numeric only	✓
S	UCC/EAN 128 Random Weight	34 +	Yes	48-57 Numeric only	✓
T	Telepen	Varies	Yes	Alphanumeric	
U	UPS MaxiCode	84	Yes	Alphanumeric	
v	FIM	1	No	A, B, C, D	
z	PDF-417	Varies	Yes	All	
WG	USD-8 (Code 11)	Varies	Yes	45, 48-57	
W1c	DataMatrix	Varies	Yes	All 8-bit values	
W1d	QR Code – Auto format	Varies	Yes	Alphanumeric	
W1D	QR Code – Manual format	Varies	Yes	Single byte or Kanji double byte	
W1f	Aztec	Varies	Yes	All	
W1z	MicroPDF417	Varies	Yes	All	

^[1]Readable only when generated as an imaged bar code using 'Barcode Count.'



0123456789

Bar Code A: Code 39



0 12345 67890 5

Bar Code B: UPC-A



0 0 12345 7

Bar Code C: UPC-E



0123456790

Bar Code D: Interleaved 2 of 5



01234567890

Bar Code E: Code 128



0 123456 7890 12

Bar Code F: EAN-13



0 123 4565

Bar Code G: EAN-8



+0 12345678900

Bar Code H: Health Industry Bar Code (HBIC)



R0 123458 78900

Bar Code I: Codabar



012345678905

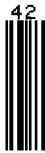
Bar Code J: Interleaved 2 of 5 w/modulo 10 checksum



Bar Code K: Plessey



Bar Code L: Interleaved 2 of 5
w/modulo 10 checksum and
shipping bearer bars



Bar Code M: 2 Digit UPC addendum



Bar Code N: 5 Digit UPC addendum



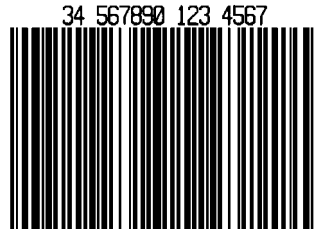
Bar Code O: Code 93



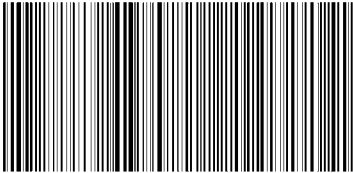
Bar Code p: Postnet



Bar Code Q: UCC/EAN Code 128



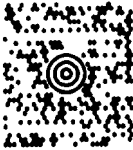
Bar Code R: UCC/EAN Code 128
KMART NON EDI



Bar Code S: UCC/EAN Code 128
Random Weight



Bar Code T: Telepen



Bar Code u: UPS MaxiCode



Bar Code v: FIM



Bar Code z: PDF-417



Bar Code WG: USD-8



Bar Code W1c: DataMatrix



Bar Code W1d: QR Code



Bar Code W1f: Aztec



Bar Code W1z: MicroPDF417



Appendix C

Module Assignments

Memory Module			
Designator	Module Size	Volatile*	Location / Use
A	Future Option	N/A	N/A
B	Future Option	N/A	N/A
D	1024 KB (default size)	Yes	Main PCB SDRAM – user addressable for graphics, fonts, and label formats
F	4 MB	No	Optional Flash Card – user addressable for graphics, fonts, and label formats
G	256 KB	No	Main PCB Flash – user addressable for graphics, fonts, and label formats (unavailable on the I-4206 and I-4208 models).
Y	64 KB	No	Main PCB Flash – reserved for EFIGS
Z	4 MB	No	Optional Flash Card – reserved for ILPC

*When power is removed from the printer, stored data will be lost.

Print Resolutions and Maximum Label Widths

Resolutions and Widths				
Model	Printhead Resolution	Maximum Print Width		Factory Default Setting
		Inches	Millimeters	
I-4206, I-4208, & I-4212	203 dots/inch (8 dots/mm)	4.10	104	4.10
I-4308	300 dots/inch (11.8 dots/mm)	4.16	105.7	4.16
I-4406	406 dots/inch (16 dots/mm)	4.10	111.8	4.10
I-4604	600 dots/inch (23.6 dots/mm)	4.16	108.2	4.16

Available Speeds and Default Settings

Model	Printer Speed Ranges and Defaults*			
	Speed Range		Default Setting	
	IPS	MMPS	IPS	MMPS
I-4206: Print	2-6	51 – 152	6.0	152
Feed	2-8	51 – 203	6.0	152
Reverse	2-5	51 – 102	4.0	102
I-4208: Print	2-8	51 – 203	8.0	203
Feed	2-8	51 – 203	8.0	203
Reverse	2-5	51 – 127	4.0	102
I-4212: Print	2-12	51 – 305	8.0	203
Feed	2-12	51 – 305	8.0	203
Reverse	2-5	51 – 102	4.0	102
I-4308: Print	2-8	51 – 203	6.0	152
Feed	2-10	51 – 254	6.0	152
Reverse	2-5	51 – 102	4.0	102
I-4406: Print	2-6	51 – 152	5.0	127
Feed	2-6	51 – 152	6.0	152
Reverse	2-5	51 – 102	4.0	102
I-4604: Print	2-4	51 – 102	3.0	76
Feed	2-4	51 – 102	4.0	102
Reverse	2-5	51 – 102	4.0	102

*Consult the *I & W Class Programmer's Manual* for detailed information.



Appendix D

GPIO Port Description

With the optional GPIO PCB, the printer can easily be programmed to interface with most applicator devices. The GPIO functions are enabled and configured using the menu system of the printer (see Section 4.1.4). These parameters are stored in non-volatile memory and saved for subsequent power-ups.

When the GPIO is enabled, the printer will not print a label unless the Start of Print signal is active. When a label is ready to print and the printer is waiting for the Start of Print signal the printer will display “WAITING FOR SIGNAL”.

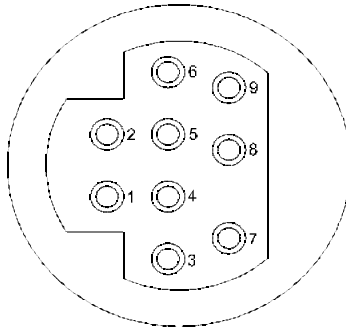
GPIO Port Connections

The GPIO Port interface connector (see next page) is a 9-pin Mini-DIN female type (e.g., Kycon KMDG-9S-BS) requiring a 9-pin Mini-DIN plug (e.g., Kycon KMDA-9P). Each GPIO pin function is detailed in the table below:

GPIO Pin Functions				
Pin #	Signal Name	Signal State	Signal Direction*	Description
1	Vcc	+5 VDC	Output	Printer +5 VDC
2	Ribbon Fault	Low	Output	Goes low when the printer detects a ribbon fault.
3	Paper Fault	Low	Output	Goes low when the printer detects a label movement fault.
4	Printer Fault	Low	Output	Goes low when any printer fault is detected.
5	Spare	Reserved	Output	N/A
6	End of Print	Programmable	Output	Programmable
7	Spare	Reserved	Input	N/A
8	Start of Print Signal	Low	Input	When ready to print a label, the Applicator should set this signal low for at least 50ms or until the End of Print signal goes not active.
9	Signal Ground	Ground	N/A	N/A

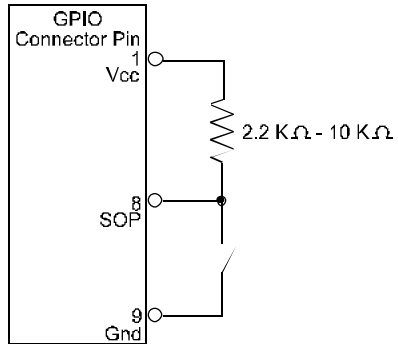
*Signal direction is given relative to the printer.

GPIO Pin Configuration
(as viewed from the rear of the printer)



External Start of Print Control

Connections for an external Start of Print control can be made (1) directly to Pin 8 using a TTL-level input or (2) with an interface circuit similar to the one shown right. For additional interfacing requirements, see the table below.



GPIO Port Specifications*

$V_{in\ max}$	5.5 VDC maximum input into any pin
V_{IH}	3.8 VDC minimum (high level input voltage)
V_{IL}	1.65 VDC maximum (low level input voltage)
I_{OH}	-8 mA typical, - 25 mA maximum (high level output current)
I_{OL}	8 mA typical 25 mA maximum (low level output current)
V_{OH}	$I_{OH} = -8\ mA$, minimum 3.8 VDC
V_{OL}	$I_{OL} = 8\ mA$, maximum .44 VDC

*See the SN74AHC244 data sheet for more information.



Appendix E

Menu System Multi-Language Support

This printer provides the user with the ability to download new menu system languages and/or replace the Datamax provided translations. A Microsoft Excel Spreadsheet defines the menu dictionary – the user adds a new language column or modifies an existing column in the spreadsheet, clicks on the ‘Generate DPL file(s)’ radio button and sends the generated DPL file(s) to the printer.

Here are the highlights and restrictions of the feature:

The printer can register up to 10 different display languages, including EFIGS.

The EFIGS languages and any additional languages are stored on Module Y: a 64KB Flash Module located on the Main PCB.

It is okay to download menu files generated for a lesser firmware revision to new firmware – any messages that are not defined are displayed in English.

For the procedures below, the printer will accept the menu downloads from any available port.

The language creation programs support Windows 95, Windows 98, Windows NT, and Windows 2000.

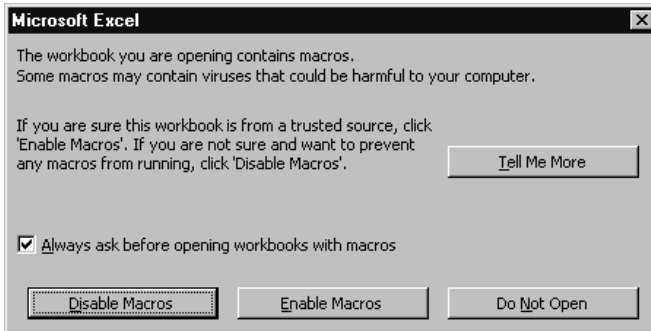
Required Software	Comment
I-Class Application Version 3.0 or greater*	Must reside in the target printer. (See Section 5.4 for details.)
Microsoft Excel 97	Must be purchased by user.
Img2dl.exe**	Program used during the process to create DPL file.
Gemmsgxls.xls**	Menu Dictionary

*Datamax provides these software files and programs. They are available on the Datamax FTP site – <ftp://ftp.datamaxcorp.com>

**Datamax recommends that the Img2dl.exe and Gemmsgxls.xls files reside in the same directory.

Creating a Menu Language:

- 1 Invoke Excel and open the gemmsglst.xls file. Excel opens the file and the following screen appears.



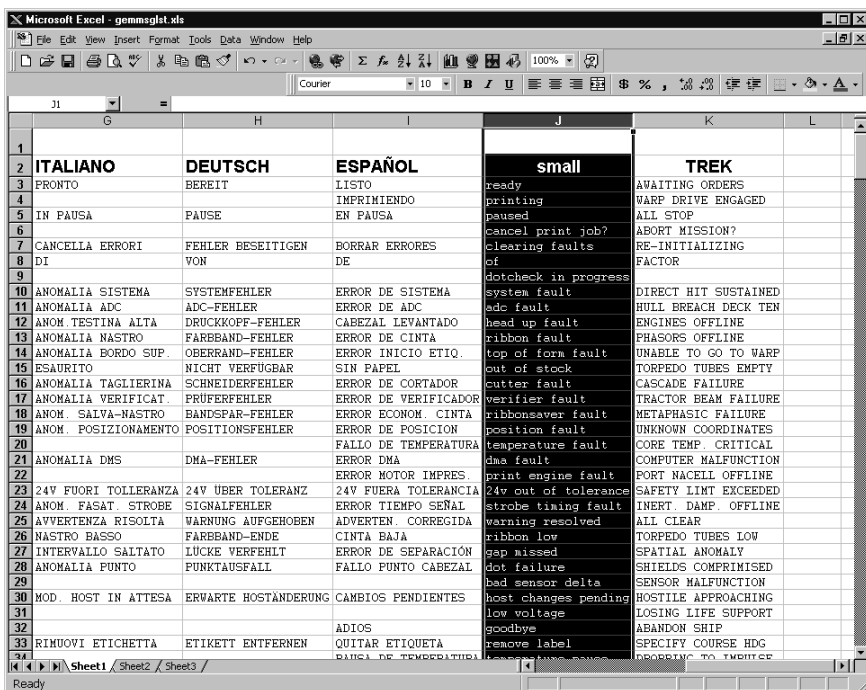
- 2 Click the “Enable Macro” box and the following appears:

		Generate Source Files		Generate DPL File(s)			
NID	COMMENTS	MAX	MESSAGE ID	ENGLISH	FRANCAIS	ITALIANO	
3 0000	System Messages	20	MID_READY	READY	PRÊT	FRONTO	
4 0001		20	MID_PRINTING	PRINTING			
5 0002		20	MID_PAUSED	PAUSED	PAUSE	IN PAUSA	
6 0003 1Aa		20	MID_CANCEL_PRINT_JOB	CANCEL PRINT JOB?			
7 0004		20	MID_CLEARING_FAULTS	CLEARING FAULTS		CANCELLA ERRORI	
8 0005		10	MID_OF	OF	DE	DI	
9 0006		20	MID_DOTCHECK_IN_PROGRESS	DOTCHECK IN PROGRESS			
10 0007	Faults	20	MID_SYSTEM_FAULT	SYSTEM FAULT	DEFAILLANCE SYSTEME	ANOMALIA SISTEMA	
11 0008		20	MID_ADC_FAULT	ADC FAULT	DEFAILLANCE ADC	ANOMALIA ADC	
12 0009		20	MID_HEAD_UP_FAULT	HEAD UP FAULT	TETE NON VEROUILLÉE	ANOM. TESTINA ALTA	
13 0010		20	MID_RIBBON_FAULT	RIBBON FAULT	DEFAILLANCE RUBAN	ANOMALIA NASTRO	
14 0011		20	MID_TOP_OF_FORM_FAULT	TOP OF FORM FAULT	DEFAIL. DEBUT D'IMP	ANOMALIA BORDO SUP	
15 0012		20	MID_OUT_OF_STOCK	OUT OF STOCK	RUPTURE PAPIER	ESAUROITO	
16 0013		20	MID_CUTTER_FAULT	CUTTER FAULT	DEFAILLANCE COUTEAU	ANOMALIA TAGLIERIN	
17 0014		20	MID_VERIFIER_FAULT	VERIFIER FAULT	DEFAILLANCE VERIFIC	ANOMALIA VERIFICAT	
18 0015		20	MID_RIBBONSAVER_FAULT	RIBBONSAVER FAULT	DEFAIL. ECONOM. RUBANOM.	SALVA-NASTRO	
19 0016		20	MID_POSITION_FAULT	POSITION FAULT	DEFAILLANCE POSITION	ANOM. POSIZIONAMEN	
20 0017		20	MID_TEMPERATURE_FAULT	TEMPERATURE FAULT			
21 0018		20	MID_DNA_FAULT	DNA FAULT	DEFAILLANCE Dna	ANOMALIA DMS	
22 0019		20	MID_PRINT_ENGINE_FAULT	PRINT ENGINE FAULT	DEFAILLANCE MOTEUR		
23 0020		20	MID_24V_OUT_OF_TOLERANCE	24V OUT OF TOLERANCE	DEPASS. TOLERANCE 24V	24V FUORI TOLLERAN	
24 0021		20	MID_STROBE_TIMING_FAULT	STROBE TIMING FAULT	DEFAIL. DUREE D'IMP	IMPUNOM. FASAT STROE	
25 0022	Warnings	20	MID_WARNING_RESOLVED	WARNING RESOLVED	AVERTISSEMENT RESOLU	AVVERTENZA RISOLTA	
26 0023		20	MID_RIBBON_LOW	RIBBON LOW	RUBAN FAIBLE	NASTRO BASSO	
27 0024		20	MID_GAP_MISSED	GAP MISSED	INTERVALLE MANQUANT	INTERVALLO SALTATO	
28 0025		20	MID_DOT_FAILURE	DOT FAILURE	DEFAUT IMPRESSION	ANOMALIA PUNTO	
29 0026		20	MID_BAD_SENSOR_DELTA	BAD SENSOR DELTA			
30 0027		20	MID_HOST_CHANGES_PENDING	HOST CHANGES PENDING			
31 0028		20	MID_LOW_VOLTAGE	LOW VOLTAGE			
32 0029		20	MID_GOODBYE	GOODBYE			
33 0030	Conditions	20	MID_REMOVE_LABEL	REMOVE LABEL	ENLEVER ETIQUETTE	RIMUOVI ETICHETTA	
34 0031		20	MID_TEMPERATURE_RANCE	TEMPERATURE RANCE			

- 3 Click On Column J and enter your new language, or modify an existing one.

Tips:

- A) Message Size – When entering new messages, reference the ‘MAX’ column: this is the maximum number of characters allowed for this field. Warnings are displayed when the number of characters is exceeded or when trying to modify the MAX value. Beware that “cutting” and “pasting” fields could defeat this warning system.
- B) Two Line Messages – Some of the message are displayed as two lines. These are indicated in the comment fields.
- C) Comments – This field can be modified with no effect.



- 4 When editing has been completed, highlight all of the columns you desire to create (more than one language may be selected) by pressing the letter above the column.

- 5 Press the Generate DPL File(s) radio button. A file will be generated for each of the selected columns and Excel will provide confirmation. (Example: small.ls)



- ⑥ Download the generated files to the printer – one method is the DOS copy command:

```
copy small.ls lpt1: /b
```

- ⑦ Reset the printer by pressing and holding the CANCEL Key for approximately four seconds.
- ⑧ Verify the operation by printing a Configuration Label (see Section 4.3.2). The new font selection will be printed on the label under SYSTEM INFORMATION / OPTIONAL LANGUAGES or select the new language in the SYSTEM SETTINGS / MENU LANGUAGE in the printer’s menu.

This is the only method to determine whether the download was successful. If the menu system displays the new language selection, but all displayed messages remain in English an error has occurred. Re-check the process. Contact Datamax Technical Support if problems continue (be prepared to provide the Gemmsglst.xls and the DPL download file that you have created). Other possible error messages are as follows:

Menu Language Error Message	Description
Please select the entire column(s) or the desired language(s), by clicking on the column letter(s)	After pressing the Generate DPL File(s) radio button, the languages to convert were not correctly selected.
Message text may not exceed MAX = xx designated characters for this MID	The entered message exceeds the number of characters specified in column C. You may not modify this number.

Advance File Handling Information

- The Standard Datamax Printer leaves the factory with EFIGS loaded into module Y. At this point, Module Y is LOCKED and will only accept additional Language Downloads.
- After downloading a language update, Module Y is left UNLOCKED until the printer is reset or power is cycled. In this state, Module Y will accept font, image and label format downloads. The module will also honor the Clear Module request. Therefore, following an update it is recommended that a reset be performed to lock the module; otherwise, a software package may ‘Clear All Modules’ thus destroying the new menu language(s).
- Module Y can be UNLOCKED by sending this DPL string: <STX>KpY0.

- To restore the factory generated EFIGS image, download the file *832296.01A to the printer. This file is located on the Datamax FTP site. The letter at the end of the file name (e.g., A) specifies the revision. The latest revision will be available on the FTP site.
- Downloading the same language twice will automatically delete the first occurrence, but will not free the memory space. Use the Pack Module feature (see Section 4.1.4) or reload the FIGS file to free the space.
- Deletion of the selected language will set the printer to English.
- The total number of languages that the printer can now accept is limited to 10, but this number is dependent upon the size of each language translation. The translation size will vary with the number of messages that are translated for that particular language. Current complete language files are about 7,000 bytes each but with product growth, the total number of languages is expected to drop to seven.



Appendix F

Saving a Configuration File

With application version 5.01 and above, the printer can save and restore complete printer settings, including media calibration parameters, as internal Configuration Files. Here are the highlights and restrictions of this feature:

Configuration files eliminate the need to repeat the manual steps of a special printer setup, making future changeovers faster and easier.

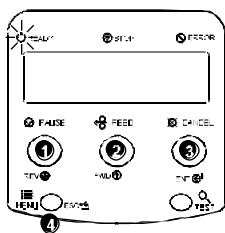
Configuration files can be setup, saved, and restored either from the host or via the front panel as 'C-type' files on Module Y under unique filenames that can be up to nineteen characters in length.

Configuration files enable the host, via special DPL commands, to control parameters previously accessible only from the front panel (consult the *I & W Programmers Manual* for details).

Regular host settings can not be saved using the front panel menu.

Note: Configuration files will typically correspond to a particular printer and media application. If a file will be shared among printers, do NOT include unique parameters (such as calibrations and adjustments) because those settings will vary from one unit to another.

When using the front panel to save a configuration file (see Section 4.1.5), the keypad functions within the 'Save Setting As' submenu are as follows:



1 REV 


The DOWN ARROW Key scrolls down through the alphanumeric, underscore, and delete character.

2 FWD 

The UP ARROW Key scrolls up through the alphanumeric and underscore characters, and the delete function.






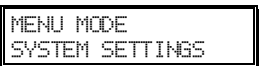



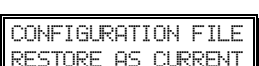


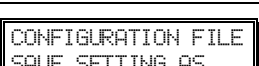


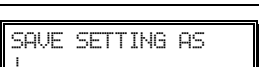
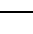
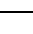
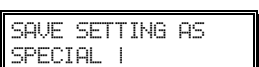

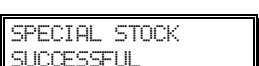
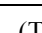
3 ENT 

The ENTER Key accepts the displayed character and advances the cursor.

4 ESC 

Saves the displayed file.

To save a manually entered setup (for example, an application that required an Advanced Entry Calibration before beginning) as a configuration file using the front panel:

Step	Displayed Message	Operator Action	Comment(s)
1		Press the MENU  Key.	You are entering 'Menu Mode'.
2		Use the FWD  Key to scroll to 'System Settings'.	The REV  Key can also be used.
3		Press the ENT  Key to select 'System Settings'.	You are entering the 'System Settings' menu.
4		Press the ENT  Key to select 'Configuration File'.	You are entering the 'Configuration File' submenu.
5		Press the FWD  Key to scroll to 'Save Setting As'.	The REV  Key can also be used.
6		Press the ENT  Key.	Press the ESC  Key to exit this selection.
7		Enter a file name using the REV  Key to scroll through the characters.	The FWD  Key can also be used.
<i>✓ Note: To change an accepted character, select the delete function (solid flashing block) and press the ENTER Key.</i>			
8		Use the ENT  Key to accept the character.	Continue entering the file name in this manner ("SPECIAL STOCK" has been used as an example).
<i>✓ Note: To abort the "save setting" function, delete all entered characters in the file name and press the ESCAPE Key.</i>			
9		Press the ESC  Key repeatedly to save the file name and return to 'Ready'.	Save complete. (To restore a saved file using the front panel see Section 4.1.5.)



Warranty Information

Datamax Barcode Products Limited Warranty Statement

I-Class Printers

Printer

Datamax warrants* to Purchaser that under normal use and service, the I-Class Printers, (with the exception of the thermal printhead, platen roller, and belts) purchased hereunder shall be free from defects in material and workmanship for a period of three years, (1095 days), or three million (3,000,000) linear inches of use, whichever comes first, from the date of shipment by Datamax.

Expendable and/or consumable items or parts such as lamps, fuses, labels and ribbons are not covered under this warranty. This warranty does not cover equipment or parts that have been misused, altered, neglected, handled carelessly, or used for purposes other than those for which they were manufactured. This warranty also does not cover loss, damages resulting from accident, or damages resulting from unauthorized service.

**When returned to the factory for service.*

Thermal Printhead, Platen Roller, and Belts

This warranty* is limited to a period of one year, (365 days), or one million (1,000,000) linear inches of use, whichever comes first, for the I-Class thermal printhead, platen roller, and belts. This one year (365 days) warranty is valid only if a Datamax - approved thermal label media is used, as defined in the then current Datamax list of approved thermal/thermal transfer media, a copy of which is available from Datamax. Failure to use Datamax-approved media is justification for invalidation of this warranty. This warranty does not cover printheads or platen rollers which have been misused, altered, neglected, handled carelessly, or damaged due to improper cleaning or unauthorized repairs.

**When returned to the factory for service*

Warranty Service Procedures

If a defect should occur during the warranty period, the defective unit shall be returned, freight and insurance prepaid, in the original shipping containers, to one of the following locations:

Datamax Corporate Headquarters 4501 Parkway Commerce Boulevard Orlando, Florida 32808 USA	Datamax International Herbert House, Elizabeth Way, Pinnacles Harlow, Essex CM19 5FE United Kingdom
--	--

A Return Material Authorization (RMA) number must be issued before the product can be returned. To open an RMA, please call the Datamax Technical Support Department at (407) 523-5540. Include your RMA number on the outside of the box and on the shipping document. Include a contact name, action desired, a detailed description of the problem(s), and media examples when possible with the defective unit. Datamax shall not be responsible for any loss or damages incurred in shipping. Any warranty work to be performed by Datamax shall be subject to Datamax's confirmation that such product meets Datamax warranty. In the event of a defect covered by its warranty, Datamax will return the repaired or replaced product to the Purchaser at Datamax's cost.

With respect to a defect in hardware covered by the warranty, the warranty shall continue in effect until the end of the original warranty period, or for ninety (90) days after the repair or replacement, whichever is later.

General Warranty Provisions

Datamax makes no warranty as to the design, capability, capacity or suitability of any of its hardware, supplies, or software.

Software is licensed on an “as is” basis without warranty. Except and to the extent expressly provided in this warranty and in lieu of all other warranties, there are no warranties, expressed or implied, including, but not limited to, any warranties of merchantability or fitness for a particular purpose.

Purchaser shall be solely responsible for the selection, use, efficiency and suitability of Datamax’s products.

Limitation of Liability

In no event shall Datamax be liable to the purchaser for any indirect, special or consequential damages or lost profits arising out of or relating to Datamax’s products, or the performance or a breach thereof, even if Datamax has been advised of the possibility thereof. Datamax’s liability, if any, to the purchaser or to the customer of the purchaser hereunder shall in no event exceed the total amounts paid to Datamax hereunder by the purchaser for a defective product.

In no event shall Datamax be liable to the purchaser for any damages resulting from or related to any failure or delay of Datamax in the delivery or installation of the computer hardware, supplies or software or in the performance of any services.

Some states do not permit the exclusion of incidental or consequential damages, and in those states the foregoing limitations may not apply. The warranties here give you specific legal rights, and you may have other legal rights which vary from state to state.



Glossary

alphanumeric Consisting of alphabetic, numeric, punctuation and other symbols.

backing material The silicon-coated paper carrier material to which labels with adhesive backing are affixed. Also referred to as “liner”.

bar code A representation of alphanumeric information in a pattern of machine-readable marks. The basic categories are divided into one-dimensional (UPC, Code 39, Postnet, etc.) and two-dimensional barcodes (Data Matrix, MaxiCode, PDF417, etc.).

boot loader The resident program that loads the application from Flash memory, decompresses it into the SRAM, and starts operations.

burn line The row of thermal elements in the printhead that create the images on the media.

calibration The process through which sensor readings are entered into the printer for correct sensor function (for example, detection of a given media type) and TOF positioning.

character set The entire complement of alphanumeric symbols contained in a given font.

checksum An alphanumeric error detection method used in many bar code symbologies for informational security.

continuous media An uninterrupted roll or box of label or tag stock media that contains no gap, notch, or mark to separate individual labels or tags.

core diameter The inside diameter measurement of the cardboard core at the center of a ribbon or media roll.

cutter A mechanical device with a rotary or guillotine type blade used to cut labels or tags following printing.

- defaults** The functional setting values returned following a factory reset of the printer.
- diagnostics** Programs used to locate and diagnose hardware problems.
- die-cut media** Media that has been cut into a pattern using a press, where the excess paper is removed leaving individual labels, with gaps between them, attached to a backing material.
- direct thermal** The printing method that uses a heat sensitive media and only the heat of the thermal printhead to create an image on the label.
- direct thermal media** Media coated with special chemicals that react and darken with the application of heat.
- DPI (dots per inch)** A measurement of print resolution, rated in the number of thermal elements contained in one inch of the printhead. Also referred to as “resolution”.
- DPL (Datamax Programming Language)** programming commands used specifically for control of and label production in Datamax printers. A complete listing of commands can be found in the *I & W Class Programmer’s Manual*.
- EFIQS** English, French, Italian, German, Spanish, and other multi-language support as programmed for the printer’s menu system and configuration label.
- fan-fold** Media that is folded and stacked.
- feed speed** The speed at which the media moves under the printhead in non-printed areas and between labels.
- Flash memory** Non-volatile memory (does not require printer power to maintain data) that can be erased and reprogrammed, used to hold the printer’s operating program.
- font** A set of alphanumeric characters that share a particular typeface.
- gap** A space between die-cut or notched labels used to sense the top-of-form.
- IPS (inches per second)** Imperial measurement of printer speeds.

- label** A paper or synthetic printing material, typically with a pressure sensitive adhesive backing.
- label length** The distance from the top of the label to the bottom of the label as it exits the printer.
- label repeat** The distance from the top of one label to the top of the next label.
- label tracking** Excessive lateral (side to side) movement of the media as it travels under the printhead.
- label width** The left to right measurement of the label as it exits the printer.
- mark** Generalized term for the carbon-based black line on the underside of reflective media used to indicate the top-of-form.
- media** Generalized term for all types of printing stocks, including: roll fed, continuous, die-cut, reflective, and fanfold.
- media hub** Device in the printer used to support roll media.
- media sensor** An electronic device equipped with photosensors to detect media and the top-of-form on die-cut, notched or reflective media.
- MMPS (millimeters per second)** Metric measurement of printer speeds.
- notched stock** Media, typically tag stock, with holes or notches in the material that is used to signal the top-of-form. The printer must be set to 'gap' to use this media type.
- preprinted media** Label stock that contains borders, text, or graphics, floodcoating, etc.
- perforation** Small cuts extending through the backing and/or label material to facilitate their separation. Also referred to as "perf".
- print speed** The speed at which the media moves under the printhead during the printing process.
- reflective media** Media imprinted with carbon-based black marks on the underside of the material, which is used to signal the top-of-form when the 'reflective' sensor is enabled.

registration Repeatable top to bottom alignment of printed labels.

reverse speed The backward rate of media motion into the printer during tear-off, peel and present and cutting operations for positioning the label at the start of print position.

ribbon An extruded polyester tape with several layers of material, one of which is ink-like, used to produce an image on the label. Also referred to as “foil”.

ribbon wrinkle An undesirable overlapping of the ribbon during the printing process that leads to voids on the printed label, typically caused by an improper printhead leveling cam adjustment.

roll media A form of media that is wound upon a cardboard core.

start of print The position on the label where the printing actually begins.

tag stock A heavy paper or synthetic printing material, typically featuring a notch or black mark for TOF and no adhesive backing.

thermal transfer The printing method that creates an image by transferring ink from a ribbon onto the media using the heat from the thermal printhead.

TOF (top-of-form) The start of a new label as indicated by a label gap, notch, mark or programming.

void An undesirable blank space in a printed image.

Free Manuals Download Website

<http://myh66.com>

<http://usermanuals.us>

<http://www.somanuals.com>

<http://www.4manuals.cc>

<http://www.manual-lib.com>

<http://www.404manual.com>

<http://www.luxmanual.com>

<http://aubethermostatmanual.com>

Golf course search by state

<http://golfingnear.com>

Email search by domain

<http://emailbydomain.com>

Auto manuals search

<http://auto.somanuals.com>

TV manuals search

<http://tv.somanuals.com>