

Please read and save these instructions. Read carefully before attempting to assemble, install, operate or maintain the product described. Protect yourself and others by observing all safety information. Failure to comply with instructions could result in personal injury and/or property damage! Retain instructions for future reference.

Dayton® Generator

Description

This Dayton generator was constructed with the highest level of precision and accuracy. Each component has been rigorously tested by technicians to ensure the quality, endurance and performance of this generator.



Unpacking

When unpacking the unit, carefully inspect for signs of obvious or concealed freight damage. If damage does exist, file a claim with the transportation company immediately. Be sure that all damaged parts are replaced and that the mechanical and electrical problems are corrected prior to operation of the unit. Tools Required: Philips #2 screwdriver

Specifications

Model	2ZRP8.....2ZRP9
Engine.....	Honda.....Honda
Watts (AC) Rated.....	5000.....6500
Watts (AC) Max.	6000.....7500
Rated Voltage (AC)	120V/240.... 120V/240
Max. Amperage.....	35.0/25.0.....62.5/31.3
Cont. Amperage.....	41.7/20.8.....54.2/27.1
Frequency.....	60Hz..... 60Hz
Fuel Tank Capacity	7.3 gal.....7.3 gal.
Run Time	8.0 hrs.....6.9 hrs
Dimensions (in).....	29L x 24.4W x 22.5H

General Safety Information

READ OPERATING INSTRUCTIONS

Always become familiar with all the instructions and warnings before operating any generator

IMPORTANT SAFETY INSTRUCTIONS

⚠ WARNING To reduce the risk of injury, read this operator's manual completely before using. When using this product, the following basic precautions should always be followed:

1. Read all the instructions before using the product.
2. Do not allow children or untrained persons to operate the generator.
3. Do not operate the generator when fatigued or under the influence of drugs or chemicals. Stay alert. Watch what you are doing.
4. Follow the maintenance instructions

specified in this manual.

5. When starting the generator, using recoil starter grip, be sure that nothing is in a position to be hit by the operator's hand or arm.
6. Be sure the switch on electric power tools is in the "OFF" position before plugging them into the generator.
7. Keep the immediate area free of all bystanders.
8. Be sure each person who operates this generator is properly instructed in its safe operation.
9. Do not operate the generator or any electrical tool in any area where water or similar materials constitute an electrical hazard to the operator. Do not operate on wet surfaces, in rain or in snow.
10. Always be sure that the generator is on secure footing so that it cannot slide or shift around, endangering workers.
11. Avoid contacting the hot exhaust manifold, muffler or cylinder(s). Keep clear of all rotating parts.
12. Unless the tool or appliance is double insulated, it must be grounded through a properly grounded receptacle. (See Preparing the Generator, Grounding Instructions). Tools and appliances

⚠ WARNING
This product contains one or more chemicals known to the State of California to cause cancer and birth defects or other reproductive harm.

⚠ WARNING
The engine exhaust from this product contains chemicals known to the State of California to cause cancer, birth defects or other reproductive harm.

Dayton® Generator

which have 3 prong plugs must be plugged into extension cords and electrical receptacles with 3 holes. Before operating any electrical item, be sure it is in good repair.

13. Follow instructions in this manual when testing Ground Fault Circuit Interrupter to insure reliable operation.
14. Beware of using this equipment in confined spaces. Confined spaces, without sufficient fresh air ventilation, can contain dangerous gases. Running gasoline engines in such environments can lead to deadly explosions and/or asphyxiation.
15. If your generator comes equipped with a transport dolly, make sure this unit is secure during operation and when transporting to prevent unexpected movement or rolling.
16. Use extreme caution when lifting this generator. Do not use dolly handles to lift this generator, use only designated lifting hook to lift this generator. This generator is heavy so proper lifting techniques should be used.

SAVE THESE INSTRUCTIONS

CARBON MONOXIDE-POISONOUS

GAS Use generator outdoors, away from open windows, vents, or doors. Generator exhaust contains carbon monoxide - a poisonous gas that can kill you. You CAN NOT smell or see this gas. Never use a generator in enclosed or partially-enclosed spaces.

Generators can produce high levels of carbon monoxide very quickly. When you use a portable generator, remember that you cannot smell or see carbon monoxide. Even if you can't smell exhaust fumes, you may still be

exposed to carbon monoxide.

If you start to feel sick, dizzy, or weak while using a generator, get to fresh air RIGHT AWAY. DO NOT DELAY. The carbon monoxide from generators can rapidly lead to full incapacitation and death.

If you experience serious symptoms, get medical attention immediately. Inform medical staff that carbon monoxide poisoning is suspected. If you experienced symptoms while indoors, have someone call the fire department to determine when it is safe to re-enter the building.

Never operate the generator in an explosive atmosphere, near combustible materials or where ventilation is not sufficient to carry away exhaust fumes. Exhaust fumes can cause serious injury or death.

NEVER use a generator indoors, including in homes, garages, basements,

crawl spaces, and other enclosed or partially-enclosed areas, even with ventilation. Opening doors and windows or using fans will not prevent carbon monoxide build-up in the home.

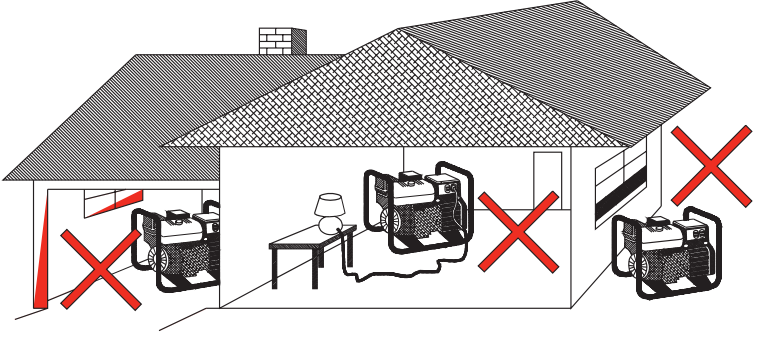
Follow the instructions that come with your generator. Locate the unit outdoors and away from doors, windows, and vents that could allow the carbon monoxide gas to come indoors.

ONLY run generator outdoors and away from air intakes.

NEVER run generator inside homes, garages, sheds, or other semi-enclosed spaces. These spaces can trap poisonous gases EVEN IF you run a fan or open doors and windows.

If you start to feel sick, dizzy, or weak while using the generator, shut it off and get fresh air RIGHT AWAY. See a doctor. You may have carbon monoxide poisoning.

DANGER / PELIGRO



The diagram shows a cross-section of a house. A generator is shown inside the house, with a red 'X' over it. Another generator is shown outside the house, near an open window, with a red 'X' over it. A third generator is shown outside the house, near a door, with a red 'X' over it. A fourth generator is shown outside the house, near a vent, with a red 'X' over it. The red 'X's indicate that these locations are unsafe for using the generator.

- DO NOT USE INDOORS OR OUTSIDE OPEN WINDOWS FUMES CAN KILL YOU!
- NE PAS UTILISER À L'INTÉRIEUR OU À L'EXTÉRIEUR DES FENÊTRES OUVERTES. LES VAPEURS DE GAZ PEUVENT VOUS TUER!
- ¡NO USE ADENTRO O AFUERA DE VENTANAS ABIERTAS LOS GASES PUEDEN MATARLE!

34-1563-E/F/S-062104-ENG.

Models 2ZRP8, 2ZRP9

Install battery-operated carbon monoxide alarms or plug-in carbon monoxide alarms with battery back-up in your home, according to the manufacturer's installation instructions. The carbon monoxide alarms should be certified to the requirements of the latest safety standards for carbon monoxide alarms. (UL 2034, IAS 6-96, or CSA 6.19.01).

Test your carbon monoxide alarm frequently and replace dead batteries.

SAFETY WARNING WHEN REFUELING

Gasoline is extremely flammable and its vapors can explode if ignited.

Observe all safety regulations for the safe handling of fuel. Handle fuel in safety containers. If the container does not have a spout, use a funnel.

Do not overfill the fuel tank, leave room for the fuel to expand.

Do not refill fuel tank while the engine is running. Before refueling the generator, turn it off and let it cool down. Gasoline spilled on hot engine parts could ignite. Fill the tank only on an area of bare ground. While fueling the tank, keep heat, sparks and open flame away. Carefully clean up any spilled fuel before starting engine.

Always fill fuel tank in an area with plenty of ventilation to avoid inhaling dangerous fumes.

NEVER store fuel for your generator in the home. Gasoline, propane, kerosene, and other flammable liquids should be stored outside of living areas in properly-labeled, non-glass safety containers. Do not store them near a fuel-burning appliance, such as a natural gas water heater in a garage. If the fuel is spilled or the container is not

sealed properly, invisible vapors from the fuel can travel along the ground and can be ignited by the appliance's pilot light or by arcs from electric switches in the appliance.

GROUND FAULT CIRCUIT INTERRUPTER PROTECTION. These generators are equipped with two GFCI (Ground Fault Circuit Interrupters) 120V duplex receptacles for protection against the hazards of electrical shock from defective attachments such as, tools, cords, and cables.

A GFCI is a device that interrupts electricity from either the utility or generator by means of a special type of circuit breaker if a fault current flow to the ground occurs.

A GFCI can be used only with generators that have the neutral wire internally bonded to the frame, and the frame properly grounded to the earth. A GFCI will not work on generators that do not have the neutral wire bonded to the frame, or on generators which have not been properly grounded. All Dayton generators have internally bonded ground wires. A GFCI will not work if the unit is not properly grounded.

A GFCI may be required by OSHA regulations, the National Electric Code and/or local and federal codes when operating a generator.

For additional protections against shock hazards due to defective equipment attached to the twist-lock receptacles, consider the use of a GFCI on each of these receptacles as well.

GFCIs and GFCI protected cord sets and cables may be purchased from local electrical supply houses.

⚠ WARNING *The GFCIs may not function unless*

the generator is properly grounded. Follow the correct procedure specified in the section labeled "GROUNDING INSTRUCTIONS"

⚠ WARNING *Only the 120V Duplex Receptacles are protected by the GFCI.*

ELECTRICAL HAZARDS. This product must be grounded. If it should malfunction or breakdown, grounding provides a path of least resistance for electric current to reduce the risk of electric shock.

⚠ DANGER *Improper connection of the equipment-grounding conductor can result in a risk of electrocution. Check with a qualified electrician or service person if you are IN doubt as to whether the unit is properly grounded.*

This generator is equipped with a grounding terminal for your protection. Always complete the ground path from the generator to an external ground source as instructed in the section labeled "Grounding Instructions" in the Preparation section of this manual.

The generator is a potential source of electrical shock if not kept dry. Keep the generator dry and do not use in rain or wet conditions. To protect from moisture, operate it on a dry surface under an open, canopy-like structure.

Dry your hands if wet before touching the generator.

Risk of electric shock if you operate this generator with a faulty GFCI (Ground Fault Circuit Interrupter). Test GFCI before each use, see Operations Instructions for further information. If GFCI fails test, DO NOT use your generator. Contact your Dayton Customer Service Representative.

Plug appliances directly into the

Dayton® Generator

generator. Or, use a heavy duty, outdoor-rated extension cord that is rated (in watts or amps) at least equal to the sum of the connected appliance loads. Check that the entire cord is free of cuts or tears and that the plug has all three prongs, especially a grounding pin.

NEVER try to power the house wiring by plugging the generator into a wall outlet, a practice known as "back feeding". This is an extremely dangerous practice that presents an electrocution risk to utility workers and neighbors served by the same utility transformer. It also bypasses some of the built-in household circuit protection devices.

If you must connect the generator to the house wiring to power appliances, have a qualified electrician install the appropriate equipment in accordance with local electrical codes. Or, check with your utility company to see if it can install an appropriate power transfer switch.

For power outages, permanently installed stationary generators are better suited for providing backup power to the home. Even a properly connected portable generator can become overloaded. This may result in overheating or stressing the generator components, possibly leading to a generator failure.

Installation

ASSEMBLY FOR WHEELS AND HANDLES:

Use the following items for installation: Isolator (3), Bolts (2), Locknut (1), Underbracket Assembly (4), Bolts (5), Washers (6), Collar/Shaft (8), Wheels (9),

Washers (10), Axle Bracket (7), Washers (12), Axle (11), Bolts (13), Handle Assembly (14), Locknut (15).

1. Raise the generator off the work surface to allow clearance to mount the Wheel Kit onto the unit.

NOTE: Make sure the generator is stable and secure before installing the Wheel Kit.

2. Assemble the Isolators (3) to the Underbracket Assembly (4) using two Locknuts (1) and two Bolts (2), tighten bolts securely.

3. Using four Locknuts (1), four Washers (6), and four Bolts (5) assemble the Underbracket Assembly (4) onto the alternator end of the generator. Tighten all bolts securely inside of rail.

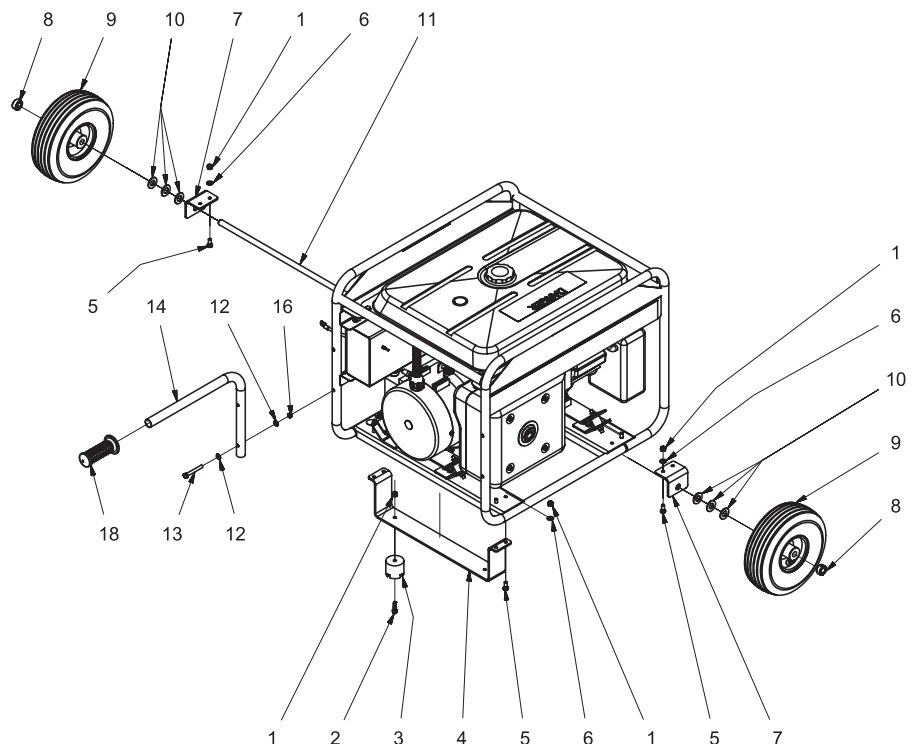
4. Fasten the Axle Support Brackets (7) to the engine end of the generator using four Bolts (5), four Washers (6) and four Locknuts (1). Tighten all bolts securely.

5. Using two Collars (8), six Washers (10) and Axle (11) mount both Wheels (9) onto the generator. Make sure the axle is centered with the generator.

6. Attach the Handle Assemblies (14 & 15) to the frame using four Bolts (13), eight Washers (12), and four Locknuts (16), tighten bolts.

GROUNDING INSTRUCTIONS

This product must be grounded. If it should malfunction or breakdown,



Models 2ZRP8, 2ZRP9

grounding provides a path of least resistance for electric current to reduce the risk of electric shock.

⚠ DANGER *Improper connection of the equipment-grounding conductor can result in a risk of electrocution. Check with a qualified electrician or service person if you are in doubt as to whether the unit is properly grounded.*

The wing nut and ground terminal on the frame must always be used to connect the generator to a suitable ground source. The ground path should be made with #8 size wire. Connect the terminal of the ground wire between the two star washers and wing nut then tighten the wing nut fully. Connect the other end of the wire securely to a suitable ground source.

The National Electric Code contains several practical ways in which to establish a good ground source. Examples given below illustrate a few of the ways in which a good ground source may be established.

A metal underground water pipe in direct contact with the earth for at least 10 feet can be used as a grounding source. If a pipe is unavailable, an 8 foot length of pipe or rod may be used as the ground source. The pipe should be 3/4 inch trade size or larger and the outer surface must be noncorrosive. If a steel or iron rod is used it should be at least 5/8 inch diameter and if a nonferrous rod is used it should be at least 1/2 inch diameter and be listed as material for grounding. Drive the rod or pipe to a depth of 8 feet. If a rock bottom is encountered less than 4 feet down, bury the rod or pipe in a trench. All electrical tools and appliances operated from this generator, must be

properly grounded by use of a third wire or be "Double Insulated".

It is recommended to:

1. Use electrical devices with 3 prong power cords.
2. Use an extension cord with a 3 hole receptacle and a 3 prong plug at the opposite ends to ensure continuity of the ground protection from the generator to appliance.

We strongly recommend that all applicable federal, state and local regulations relating to grounding specifications be checked and followed.

LINE TRANSFER SWITCH

If this generator is used for standby service, it must have a transfer switch between the utility power service and the generator. The transfer switch not only prevents the utility power from feeding into the generator, but is also prevents the generator from feeding out into the utility company's lines. This is intended to protect the serviceman who may be working on a damaged line.

THIS INSTALLATION MUST BE DONE BY A LICENSED ELECTRICIAN AND ALL LOCAL CODES MUST BE FOLLOWED.

ENGINE OIL

Use oil viscosity based on the expected air temperature range during the period between oil changes.

Use a high quality detergent oil with API classifications of SJ or higher.

Check oil level before each operation and ensure that it is maintained.

⚠ CAUTION *THIS ENGINE CRANKCASE IS NOT FILLED WITH OIL AT THE FACTORY, SO BE SURE TO FILL IT BEFORE OPERATING THE ENGINE.*

NOTE: *These engines are equipped with a "Low Oil" shut-off system for engine protection. If the engine fails to start, check engine crankcase for oil.*

Pre-Operation

FUELING

To fill with oil:

1. Level the engine to ensure accurate inspection and to prevent overfilling.
2. Unscrew the oil gauge, wipe the dipstick dry. Reinsert the oil gauge back into the oil fill gauge opening. Remove the oil gauge and check the oil level.
3. The oil level should be between the full and low marks on the dipstick.

NOTE: *When checking the oil be sure the engine is level.*

4. Fill with oil as required through the oil fill gauge opening.
5. Replace the oil gauge and screw in firmly.
6. Wipe up any spilled oil.

⚠ WARNING **EXPLOSIVE FUEL! GASOLINE IS EXTREMELY FLAMMABLE AND ITS VAPORS CAN EXPLODE IF IGNITED.**

STORE GASOLINE ONLY IN APPROVED CONTAINERS, IN WELL VENTILATED, UNOCCUPIED BUILDINGS AND AWAY FROM SPARKS OR FLAMES.

DO NOT FILL THE FUEL TANK WHILE THE ENGINE IS HOT OR RUNNING, SINCE SPILLED FUEL COULD IGNITE IF IT COMES IN CONTACT WITH HOT PARTS OR SPARKS FROM IGNITION. DO NOT START THE ENGINE NEAR SPILLED FUEL.

NEVER USE GASOLINE AS A CLEANING AGENT.

⚠ WARNING **DO NOT OVERFILL THE FUEL TANK, LEAVE ROOM FOR THE FUEL TO EXPAND.**

GENERAL RECOMMENDATIONS

- Purchase gasoline in small quantities and store in clean, approved containers.

Dayton® Generator

- To minimize gum deposits in your fuel system and to insure easy starting, do not use gasoline left over from the previous season.
- Do not add oil to the gasoline.

FUEL TYPE

- For best results use only clean, fresh, unleaded gasoline with a pump sticker octane rating of 87 or higher.
- Unleaded gasoline is recommended as it leaves less combustion chamber deposits.

Gasoline/Alcohol Blends:

Gasohol (up to 10% ethyl alcohol, 90% unleaded gasoline by volume) is approved, as a fuel. Other gasoline/alcohol blends are not approved.

Gasoline/Ether Blends:

Methyl Tertiary Butyl Ether (MTBE) and unleaded gasoline blends (up to a maximum of 15% MTBE by volume) are approved as a fuel. Other gasoline/ether blends are not approved.

BATTERY INSTALLATION

▲ WARNING *SHOULD ONLY BE DONE BY AN AUTHORIZED DEALER.*

HIGH ALTITUDE

At high altitude, the standard carburetor air/fuel mixture will be too rich. Performance will decrease, and fuel consumption will increase. A very rich mixture will also foul the spark plug and cause hard starting. Operation at an altitude that differs from that at which this engine was certified, for extended periods of time, may increase emissions. High altitude performance can be improved by specific modifications to the carburetor. If you always operate your generator at altitudes above 5,000 feet (1,500 meters), have your dealer perform this carburetor modification. This engine,

when operated at high altitude with the carburetor modifications for high altitude use, will meet each emission standard throughout its useful life. Even with carburetor modification, engine horsepower will decrease about 3.5% for each 1,000-foot (300-meter) increase in altitude. The effect of altitude on horsepower will be greater than this if no carburetor modification is made.

NOTE: *When the carburetor has been modified for high altitude operation, the air/fuel mixture will be too lean for low altitude use. Operation at altitudes below 5,000 feet (1,500 meters) with a modified carburetor may cause the engine to overheat and result in serious engine damage. For use at low altitudes, have your servicing dealer return the carburetor to original factory specifications.*

Operation

RECOIL START

NOTE: *Read Operator's Manual carefully before operating this unit. Always make sure the unit is level and properly grounded. Check engine oil before starting.*

1. Open fuel valve on unit or engine.
(See Below)



2. Turn the idle control switch to the OFF position.

3. Move choke lever to full choke. If re-starting a warm engine, the choke should be left in the off position.
(See Below)



4. Turn the engine ignition switch to the ON position.
5. Pull recoil to start engine.
6. Once engine has started, slowly move choke lever to no choke.

NOTE: *When engine fails to start after several attempts, repeat the starting procedures mentioned above with the choke lever in the off position.*

7. Allow the unit to run for two (2) minute warm-up.
8. Make sure the generator is grounded. See Preparing the Generator; Grounding Instructions.
9. Turn main breaker to ON position (GEN-6000 units only).
10. Test the GFCI receptacle(s) on the unit. Push the test button. The reset button should pop out and there should be no power at the receptacle. Apply a test load or lamp to each receptacle to verify. IF THE RESET BUTTON DOES NOT POP OUT, DO NOT USE THE RECEPTACLES(S). SEE DEALER FOR SERVICE IMMEDIATELY.

Models 2ZRP8, 2ZRP9

E
N
G
L
I
S
H

11. If GFCI receptacle(s) test correctly, firmly push the reset button to restore power. A distinctive click should be heard or felt when this is complete. IF THE RECEPTACLE(S) DO NOT RESET PROPERLY, DO NOT USE THE RECEPTACLE(S). SEE DEALER FOR SERVICE IMMEDIATELY.

12. Turn idle control switch to ON position. Loads can now be applied to unit.

NOTE: This engine is equipped with a "Low Oil" shutdown system for engine protection. The engine stops when the oil level gets too low. The engine will not restart without adding oil. Refer to Preparing the Generator; Engine Fuel Capacity for instructions on adding oil.

NOTE: While the engine is idling, the generator voltage is automatically reduced to reduce generator temperatures. The voltage will return to normal levels immediately upon the application of load.

ELECTRIC START

NOTE: Read Operator's Manual carefully before operating this unit. Always make sure the unit is level and properly grounded. Check engine oil before starting.

1. Open fuel valve on unit or engine.
2. Turn the idle control switch to the OFF position.
3. Move choke lever to full choke. If re-starting a warm engine, the choke should be left in the off position.
4. Turn the engine ignition switch to the ON position.
5. Start the engine by turning the key switch fully clockwise until the engine starts, then release the switch.

NOTE: Do not crank the engine continuously for more than 30 seconds at a time. If the engine does not start, allow for a 3 minute cool down period

between starting attempts. Failure to follow these guidelines can damage the starter motor.

If the starter does not turn the engine over, shut off the starter immediately. Do not make further attempts to start the engine until the condition is corrected. Do not jump start using another battery.

6. Once engine has started, slowly move choke lever to no choke.
7. Allow the unit to run for two (2) minute warm-up.
8. Turn main breaker to ON position (GEN-6000 units only).
9. Test the GFCI receptacle(s) on the unit. Push the test button. The reset button should pop out and there should be no power at the receptacle. Apply a test load or lamp to each receptacle to verify. IF THE RESET BUTTON DOES NOT POP OUT, DO NOT USE THE RECEPTACLES(S). SEE DEALER FOR SERVICE IMMEDIATELY.

10. If GFCI receptacle(s) test correctly, firmly push the reset button to restore power. A distinctive click should be heard or felt when this is complete. IF THE RECEPTACLE(S) DO NOT RESET PROPERLY, DO NOT USE THE RECEPTACLE(S). SEE DEALER FOR SERVICE IMMEDIATELY.

11. Turn idle control switch to ON position. Loads can now be applied to unit.

NOTE: This engine is equipped with a "Low Oil" shutdown system for engine protection. The engine stops when the oil level gets too low. The engine will not restart without adding oil. Refer to Preparing the Generator; Engine Fuel Capacity for instructions on adding oil.

SHUTDOWN

1. Remove all load by turning off electrical appliances and unplugging electric cords.

2. Allow engine to run at idle speed to cool for two (2) minutes.

NOTE: Failure to allow the engine to cool at idle for two (2) minutes may result in damage to the generator.

3. Turn engine key or ignition switch off.

4. Close fuel valve on unit or engine.

Maintenance

GENERATOR MAINTENANCE

Keep all air vents clear.

Keep the generator clean. DO NOT spray with water.

Periodically check all fasteners and tighten, see the periodic maintenance chart.

GFCI TEST RECORDS: As with any other safety devices, the GFCIs supplied with these generators must be checked every month to insure that they are functioning properly. To test the GFCIs, follow the instructions and then enter the date of the test below.

1. With the generator running and the idle control switch in the "START" position, push the "TEST" button. The "RESET" button should pop out. This should result in the power being off at both outlets of the duplex receptacle. Verify this by plugging a test lamp into each outlet.

⚠ WARNING IF THE RESET BUTTON DOES NOT POP OUT, DO NOT USE THE RECEPTACLE(S). SEE AUTHORIZED Dayton Customer Service Representative FOR SERVICE IMMEDIATELY.

2. If the GFCI test correctly, restore power by FIRMLY pushing the "RESET" button back in until you



Dayton® Generator

hear or feel a distinctive "click". IF THE GFCI FAILS TO RESET PROPERLY, DO NOT USE EITHER OUTLET OF THE DUPLEX RECEPTACLE. Have the unit serviced by an authorized Dayton Customer Service Representative immediately.

3. High vibration or severe mechanical shock loads may cause the GFCIs to trip. IF EITHER GFCI TRIPS BY ITSELF AT ANY TIME, reset it and perform test procedures 1 and 2.
4. Repeat steps 1-3 for the second GFCI.

⚠ WARNING **ALTHOUGH THE ABOVE TEST PROCEDURES WILL INDICATE PROPER GFCI OPERATION ON AN UNGROUNDED OR IMPROPERLY GROUNDED GENERATOR, THE GENERATOR MUST**

STILL BE GROUNDED PER THE GROUNDING INSTRUCTIONS LISTED ON PAGE 14 FOR THE GFCI TO FUNCTION PROPERLY AND PROTECT THE USER FROM ELECTRICAL FAULTS.

EVAPORATIVE EMISSION COMPONENTS:

The unit you have purchased includes the following components that are in compliance with 2008 California Air Resources Board Evaporative Emission Standards;

1. Fuel Hose
2. Fuel Hose Fittings

These components should be inspected on a daily basis for cracks, leaks, and abnormal wear. If cracking, leaks or abnormal wear has occurred, the components should be replaced immediately.

IDLE CONTROL ADJUSTMENT:

NOTE: The automatic idle speed is set between 2640 and 2940 RPM.

The idle speed has been pre-set at the factory and should rarely require readjustment. We recommend that all adjustments of this nature be made by a Dayton Customer Service Representative.

Erratic idle operation of the engine usually indicates a need for carburetor adjustment to provide a smooth idle. The idle control will not function properly when the idle speed is below the recommended limits or the carburetor is improperly adjusted.

ENGINE:

The engine for this generator is

Maintenance Chart

Procedure	Daily	Every 25 hrs.	Every 100 hrs.	Every 200 hrs.	Before Storage
Check Fuel	X				
Check Engine Oil	X				
Check for loose or lost nuts and bolts	X				
Check for leaks	X				
Check cylinder and head fins for dust and dirt	X				
Check battery electrolyte level	X				
Check fuel lines (replace if necessary)	X				
Clean air cleaner foam element (**)		X			
Tighten nuts and bolts (*)			X		
Change engine oil			X		
Clean fuel filter			X		
Replace air cleaner paper element			X		
Clean dust and dirt from cylinder and cylinder head fins (**)			X		
Clean and regap spark plug				X	
Add fuel stabilizer					X
Run unit dry					X

* Perform these operations after the first 5 hours of use, then at the recommended intervals.

** Service more frequently under dusty conditions.

NOTE: These items must be performed with the proper tools. See your Dayton Customer Service Representative for service, unless you have the proper equipment and mechanical proficiency.

Models 2ZRP8, 2ZRP9

E
N
G
L
I
S
H

governed to operate at speeds close to 3600 RPM (60Hz) throughout the operating load range. The no load speed (before a load is applied) will be just a bit higher than the load speed and is normally set to 3750 RPM.

⚠ WARNING DO NOT TAMPER WITH THE GOVERNOR MECHANISM, CHANGE THE SETTING EXPERIMENTALLY, OR PUSH THE THROTTLE OPEN IN AN ATTEMPT TO GENERATE MORE ELECTRICAL CURRENT; EQUIPMENT DAMAGE OR PERSONAL INJURY MAY RESULT.

GOVERNOR SPEED ADJUSTMENT SHOULD BE MADE ONLY BY A Dayton Customer Service Representative.

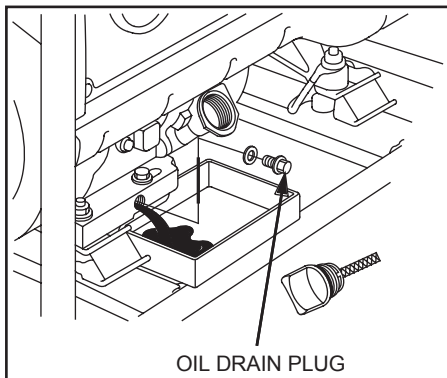
CHECKING ENGINE OIL:

Check oil level before each operation and ensure that it is maintained per Preparing the Generator; Engine Oil Capacity section.

CHANGING ENGINE OIL:

Change oil after the first 20 hours of operation. Thereafter it should be changed every 100 hours.

1. Make sure the unit is on level ground. Run the engine to warm the oil.
2. Stop the engine.
3. Remove the oil drain plug.



OIL DRAIN PLUG

⚠ CAUTION Oil being drained may be hot. To

reduce the risk of burn injury, handle with care. Dispose of used oil properly.

4. Drain oil while engine is warm, into a suitable container.
5. Reinstall the oil drain plug.
6. Remove oil gauge and refill with new oil.
7. Check the oil level as instructed in Preparing the Generator; Engine Oil Capacity section.
8. Wipe up any spilled oil.

AIR CLEANER:

⚠ WARNING RISK OF FIRE OR EXPLOSION. DO NOT USE GASOLINE OR LOW FLASH-POINT SOLVENTS TO CLEAN THE ELEMENT. CLEAN THE ELEMENT IN A WELL VENTILATED AREA. ENSURE THAT NO SPARKS OR FLAMES ARE NEAR THE WORKING AREA, THIS INCLUDES ANY APPLIANCE WITH A PILOT LIGHT.

CAUTION: NEVER RUN THE ENGINE WITHOUT THE AIR FILTER, SERIOUS DANGER CAN RESULT.

Check the air cleaner daily or before starting the engine. Check for and correct heavy buildup of dirt and debris along with loose or damaged components.

1. Unsnap the air cleaner cover and remove the elements.
2. Clean the elements:

FOAM PRE-CLEANER ELEMENT: Wash the foam pre-cleaner element in warm water with detergent. Rinse the foam pre-cleaner element thoroughly until all traces of detergent are eliminated. Squeeze out excess water, but do not wring. Allow the foam pre-cleaner element to air dry.

Saturate the foam pre-cleaner element with new engine oil. Squeeze out all excess oil. DO NOT put engine oil on the foam damper.

NOTE: Clean the foam pre-cleaner element every 25 hours of operation (more often under extremely dusty or dirty condition)

PAPER AIR CLEANER ELEMENT: Do not wash the paper element or use pressurized air, as this will damage the element. Clean by gently tapping the element to remove dust. Replace the element if damaged, bent or extremely dirty. Handle new element carefully; do not use if the sealing surfaces are bent or damaged.

NOTE: Replace the paper element every 100 hours (more often under extremely dusty conditions.)

Reinstall the foam pre-cleaner element and the paper air cleaner element. Close air cleaner cover and clasp shut.

CLEANING AND GAPPING SPARK PLUG:

Recommended Spark Plug:

Engine	Honda
Spark Plug	NGK BPR6ES
Spark Plug Gap	0.7 - 0.8 mm (0.03 in.)
Torque - New	8.7-10.9 ft-lb
Torque - Retighten	16.6-19.5 ft-lb

If the plug is contaminated with carbon, remove it using a plug cleaner or wire brush. Check the spark plug gap and reset it if necessary. The spark plug gaps are listed below. To change the gap, bend the side-electrode only, using a spark plug tool. Install and tighten the spark plug. Connect the spark plug lead.

SPARK ARRESTOR:

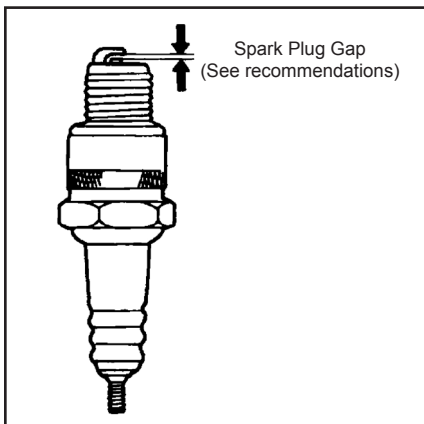
If the generator has been running, the muffler will be very hot. Allow it to cool before proceeding.

NOTE: Remove and clean spark arrester every 100 hours or as necessary.

NOTE: Product users on United States forest service land, and in some states,



Dayton® Generator



must comply with fire prevention regulations.

Clean the spark arrester as follows:

1. Loosen the screw by the exhaust port of the muffler and remove the spark arrester.
2. Use a brush to remove carbon deposits from the spark arrester screen. Inspect the screen for breaks or tears and replace it if necessary.

3. Install the spark arrester in the reverse order of removal.

Spark arrestors are available from your local Dayton Customer Service Representative. Other user requirements may apply, check with your Federal, State or local authorities.

Storing Generator

SHORT TERM (1-6 MONTHS):

1. Add gasoline conditioner and stabilizer at the specified concentration.
2. Run the unit for two (2) minutes to ensure the mixed fuel is in the entire fuel system. Close the fuel valve and run the unit until it stops.
3. Remove the spark plug, pour 1-2 teaspoons (5-10cc) of engine oil into the cylinder, slowly pull the starter handle 2 or 3 times, reinstall the spark plug and tighten securely.
4. Clean the exterior surface of the generator and apply a rust inhibitor.

5. Store the generator in a dry, well ventilated place.

LONG TERM (MORE THAN 6 MONTHS):

1. Add gasoline conditioner and stabilizer at the specified concentration.
2. Run the generator until the fuel tank and carburetor are dry. As the engine is beginning to die, move the choke lever to the choke position.

NOTE: Turn off the idle control to decrease the run time.

3. Remove the spark plug, pour 1-2 teaspoons (5-10cc) of engine oil into the cylinder, slowly pull the starter handle 2 or 3 times, reinstall the spark plug and tighten securely.
4. Clean the exterior surface of the generator and apply a rust inhibitor.
5. Store the generator in a dry, well ventilated place.

▲ WARNING FUEL SHOULD BE DRAINED IN A WELL VENTILATED AREA AND STORED IN A CONTAINER APPROVED FOR GASOLINE.

Models 2ZRP8, 2ZRP9

Troubleshooting Chart

Symptom	Possible Cause(s)	Corrective Action
Engine will not start	Engine switch is off.	Turn engine switch to the ON position.
	Fuel Tank empty.	Fill tank per instructions in this manual.
	Fuel Valve is off.	Turn Fuel Valve on.
	Inadequate engine oil.	Check oil level. This engine is equipped with a low oil sensor. The engine cannot be started unless the oil level is above the prescribed lower limit.
Generator has no output.	No spark at spark plug.	Remove the spark plug cap. Clean any dirt from around the plug base, then remove the spark plug. Install the spark plug in the plug cap. Turn the engine switch on. Grounding the electrode to any engine ground, pull the recoil starter to see if sparks jump across the gap. If there is no spark, replace the plug. Reinstall the plug and start engine according to instructions in this manual. Consult Customer Service.
	Circuit breakers tripped.	Reset circuit breakers.
	Inadequate cord sets or extension cords.	Check cord sets or extension cords capabilities in section Controls; Cable Size in this manual. Consult Dayton Customer Service.

Dayton® Generator

LIMITED WARRANTY

DAYTON ONE-YEAR LIMITED WARRANTY. DAYTON® Generator, MODELS COVERED IN THIS MANUAL, ARE WARRANTED BY DAYTON ELECTRIC MFG. CO. (DAYTON) TO THE ORIGINAL USER AGAINST DEFECTS IN WORKMANSHIP OR MATERIALS UNDER NORMAL USE FOR ONE YEAR AFTER DATE OF PURCHASE. ANY PART WHICH IS DETERMINED TO BE DEFECTIVE IN MATERIAL OR WORKMANSHIP AND RETURNED TO AN AUTHORIZED SERVICE LOCATION, AS DAYTON DESIGNATES, SHIPPING COSTS PREPAID, WILL BE, AS THE EXCLUSIVE REMEDY, REPAIRED OR REPLACED AT DAYTON'S OPTION. FOR LIMITED WARRANTY CLAIM PROCEDURES, SEE "PROMPT DISPOSITION" BELOW. THIS LIMITED WARRANTY GIVES PURCHASERS SPECIFIC LEGAL RIGHTS WHICH VARY FROM JURISDICTION TO JURISDICTION.

LIMITATION OF LIABILITY. TO THE EXTENT ALLOWABLE UNDER APPLICABLE LAW, DAYTON'S LIABILITY FOR CONSEQUENTIAL AND INCIDENTAL DAMAGES IS EXPRESSLY DISCLAIMED. DAYTON'S LIABILITY IN ALL EVENTS IS LIMITED TO AND SHALL NOT EXCEED THE PURCHASE PRICE PAID.

WARRANTY DISCLAIMER. A DILIGENT EFFORT HAS BEEN MADE TO PROVIDE PRODUCT INFORMATION AND ILLUSTRATE THE PRODUCTS IN THIS LITERATURE ACCURATELY; HOWEVER, SUCH INFORMATION AND ILLUSTRATIONS ARE FOR THE SOLE PURPOSE OF IDENTIFICATION, AND DO NOT EXPRESS OR IMPLY A WARRANTY THAT THE PRODUCTS ARE MERCHANTABLE, OR FIT FOR A PARTICULAR PURPOSE, OR THAT THE PRODUCTS WILL NECESSARILY CONFORM TO THE ILLUSTRATIONS OR DESCRIPTIONS. EXCEPT AS PROVIDED BELOW, NO WARRANTY OR AFFIRMATION OF FACT, EXPRESSED OR IMPLIED, OTHER THAN AS STATED IN THE "LIMITED WARRANTY" ABOVE IS MADE OR AUTHORIZED BY DAYTON.

Technical Advice and Recommendations, Disclaimer. Notwithstanding any past practice or dealings or trade custom, sales shall not include the furnishing of technical advice or assistance or system design. Dayton assumes no obligations or liability on account of any unauthorized recommendations, opinions or advice as to the choice, installation or use of products.

Product Suitability. Many jurisdictions have codes and regulations governing sales, construction, installation, and/or use of products for certain purposes, which may vary from those in neighboring areas. While attempts are made to assure that Dayton products comply with such codes, Dayton cannot guarantee compliance, and cannot be responsible for how the product is installed or used. Before purchase and use of a product, review the product applications, and all applicable national and local codes and regulations, and be sure that the product, installation, and use will comply with them.

Certain aspects of disclaimers are not applicable to consumer products; e.g., (a) some jurisdictions do not allow the exclusion or limitation of incidental or consequential damages, so the above limitation or exclusion may not apply to you; (b) also, some jurisdictions do not allow a limitation on how long an implied warranty lasts, consequently the above limitation may not apply to you; and (c) by law, during the period of this Limited Warranty, any implied warranties of implied merchantability or fitness for a particular purpose applicable to consumer products purchased by consumers, may not be excluded or otherwise disclaimed.

Prompt Disposition. A good faith effort will be made for prompt correction or other adjustment with respect to any product which proves to be defective within limited warranty. For any product believed to be defective within limited warranty, first write or call dealer from whom the product was purchased. Dealer will give additional directions. If unable to resolve satisfactorily, write to Dayton at address below, giving dealer's name, address, date, and number of dealer's invoice, and describing the nature of the defect. Title and risk of loss pass to buyer on delivery to common carrier. If product was damaged in transit to you, file claim with carrier.

Manufactured for Dayton Electric Mfg. Co., 5959 W. Howard St., Niles, Illinois 60714-4014 U.S.A.

For Repair Parts, call 1-800-323-0620

24 hours a day – 365 days a year

Please provide following information:

- Model number
- Serial number (if any)
- Part description and number as shown in parts list

E
N
G
L
I
S
H

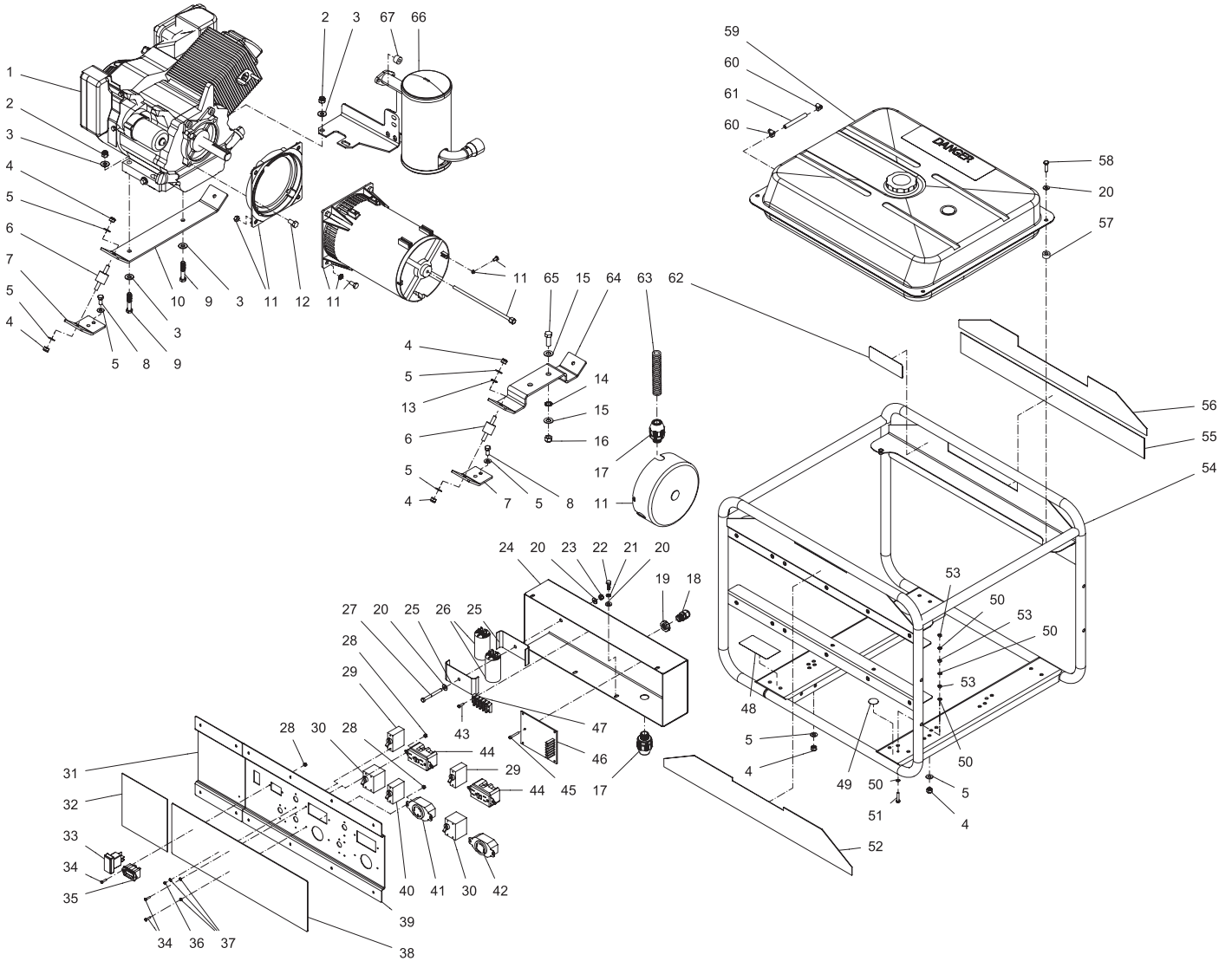


Figure 1 – Repair Parts Illustration for GEN-6000-0GH0 091008

Models 2ZRP8, 2ZRP9

Repair Parts 2ZRP8

Ref. No.	Description	Part No.	Qty.	Ref. No.	Description	Part No.	Qty.
1	Engine	1-0152	1	36	Bolt	27-9574	14
2	Locknut	30-0159	3	37	External Lockwasher	29-1013	34
3	Washer	28-0022	6	38	Decal-Panel (See 34-9083)	N/A Sep.	1
4	Locknut	30-0157	16	39	Control Panel	20-1118A01	1
5	Washer	28-0003	24	40	Breaker	32-0836	2
6	Isolator	33-0028	4	41	Receptacle	32-0832	1
7	Mounting Bracket	5-0236A01	4	42	Receptacle	32-0833	1
8	Screw	27-0066	8	43	Bolt	27-8942	2
9	Bolt	27-0121	3	44	Receptacle	32-0830	2
10	Isolation Plate	5-0243A01	1	45	Bolt	27-0740	2
11	Generator	32-0825	1	46	Idle Down Board	32-0896	1
12	Bolt	27-0116	4	47	Terminal Strip	32-0227	1
13	Lockwasher	29-0110	1	48	Decal-Silver Sticker	N/A	1
14	Lockwasher	29-0112	1	49	Decal- Ground Pictorial (See 34-9038)	N/A Sep.	1
15	Washer	28-0005	2	50	External Lockwasher	29-1009	30
16	Locknut	30-0161	1	51	Bolt	27-8807	1
17	Conduit	32-0255	2	52	Decal-Gen	N/A Sep.	2
18	Strain Relief	32-0586	1	53	Hex Nut	30-6001	3
19	Locknut	32-0587	1	54	Fuel Tank Assy (See 850-0008)	N/A	1
20	Washer	28-0002	10	55	Decal-Warning (See 34-9038)	N/A Sep.	1
21	Lockwasher	29-0006	4	56	Decal-Gen	N/A Sep.	2
22	Bolt	27-0015	4	57	Fuel Tank Isolator	14-0103	4
23	Locknut	30-0155	1	58	Bolt	27-0016	4
24	Electric Box	20-0831A01	1	59	Fuel Tank Assy	850-0008	1
25	Bracket Capacitor	20-0797A01	2	60	Clamp Worm	42-0004	2
26	Capacitor	32-0846	2	61	Fuel Hose (Two Feet Required)	15-0261	1
27	Bolt	27-0022	1	62	Decal-Grainger 800#	34-1444	1
28	Locknut	30-0152	10	63	Conduit (Two Feet Required)	32-0253	1
29	Breaker	32-0834	2	64	Isolation Plate	5-0242A01	1
30	Breaker	32-0835	2	65	Bolt	27-0167	1
31	Cover-Decal Plate	20-0833A01	1	66	Muffler	45-0085	1
32	Decal-Operation (See 34-9038)	N/A Sep.	1	67	Spacer Generator	33-0431	2
33	Rocker Switch	32-0626	1		Decal Set (Inc. 32, 38, 49, 55)	34-9038	
34	Bolt	27-8881	22				
35	Hour Meter	32-0668	1				

For Repair Parts, call 1-800-323-0620

24 hours a day – 365 days a year

Please provide following information:

- Model number
- Serial number (if any)
- Part description and number as shown in parts list

E
N
G
L
I
S
H

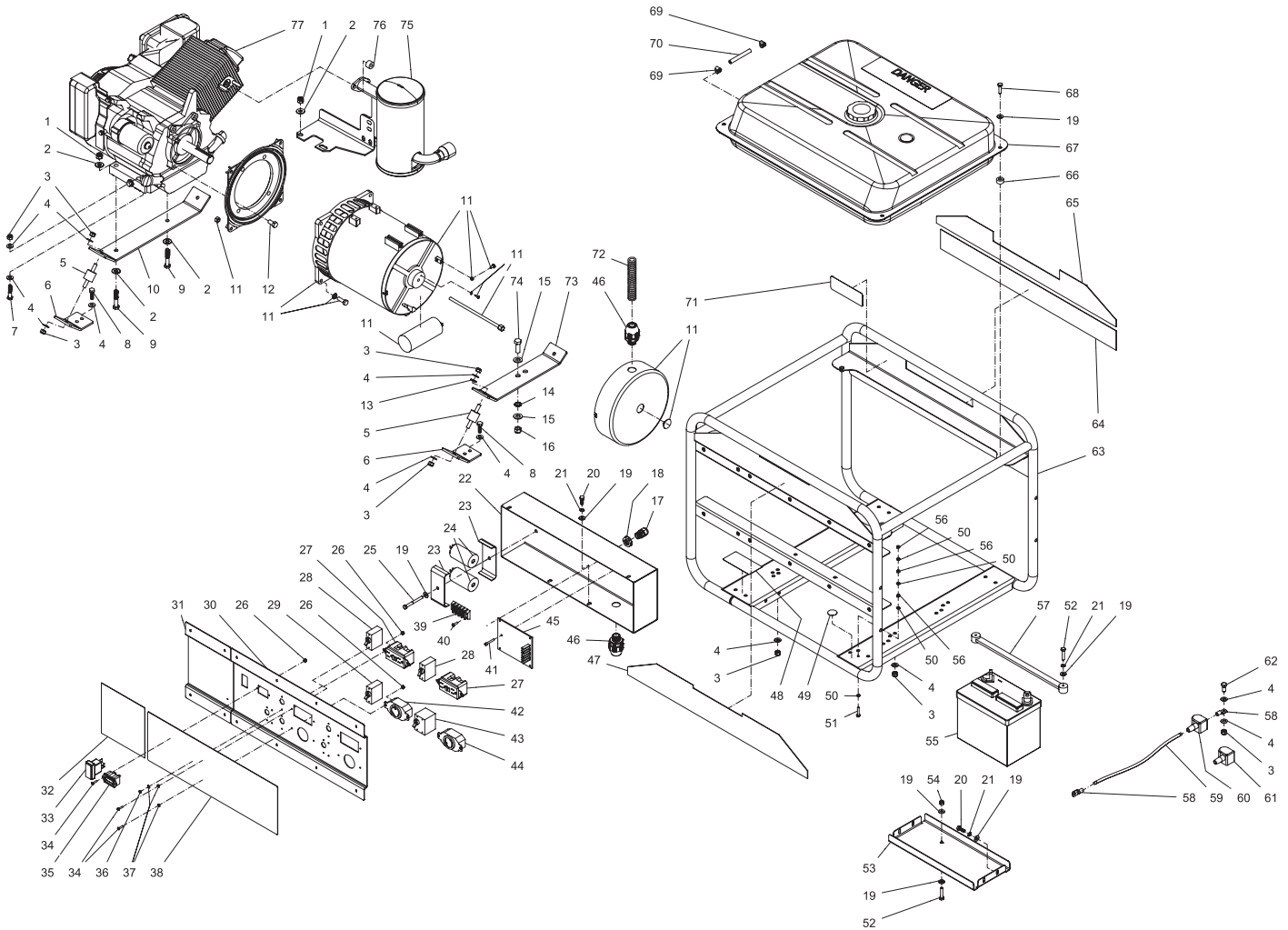


Figure 2 – Repair Parts Illustration for Generator-7500-0GHE 091008

Models 2ZRP8, 2ZRP9

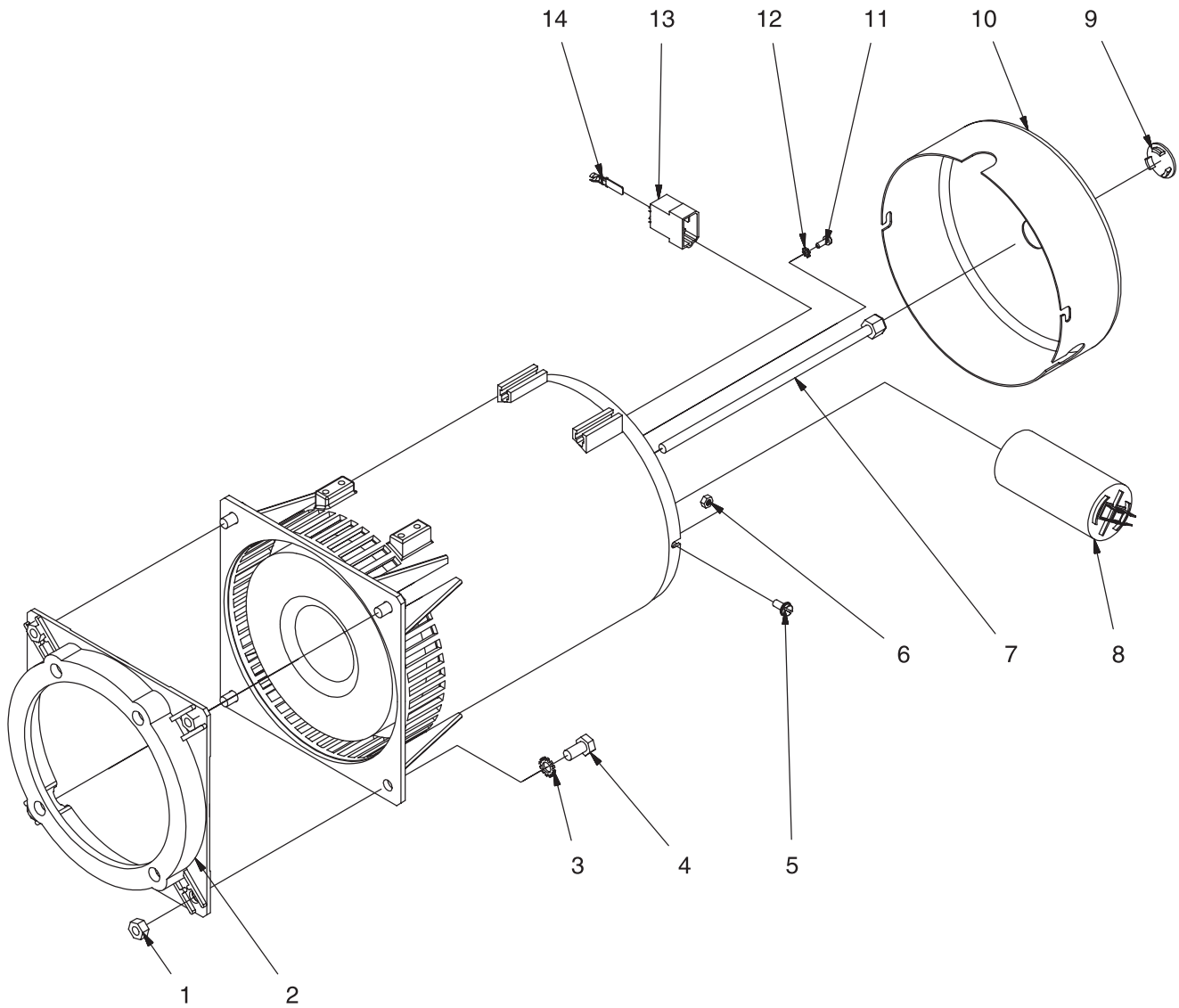
Repair Parts 2ZRP9

Ref. No.	Description	Part No.	Qty.	Ref. No.	Description	Part No.	Qty.
1	Locknut	30-0159	3	40	Screw	27-8942	2
2	Washer	28-0022	6	41	Bolt	27-0740	2
3	Locknut	30-0157	19	42	Receptacle- L5-30	32-0832	1
4	Washer	28-0003	30	43	Toggle Breaker	32-0837	1
5	Isolator	33-0028	4	44	Receptacle- L14-30	32-0831	1
6	Isolator Mounting Bracket	5-0236A01	4	39	Terminal Strip	32-0227	1
7	Bolt	27-0069	1	45	Idle Down Board	32-0896	1
8	Bolt	27-0067	8	46	Conduit Fitting	32-0255	2
9	Bolt	27-0121	3	47	Decal- GEN-7500-0MHE	34-2237	2
10	Isolation Plate	5-0243A01	1	48	Decal- Data Plate	N/A	1
11	Bolt	27-0121	1	49	Decal- Ground Pictorial (See 34-9038)	N/A Sep.	1
11	Alternator	32-0826	1				
12	Bolt	27-0116	4	50	Lockwasher	28-1009	4
13	Lockwasher	29-0110	1	51	Screw	27-8807	1
14	Lockwasher	29-0112	1	52	Bolt	27-0017	2
15	Washer	28-0005	2	53	Battery Bracket	20-0832A01	1
16	Locknut	30-0161	1	54	Locknut	30-0155	2
17	Strain Relief	32-0586	1	55	Battery	32-0058	1
18	Locknut	32-0587	1	56	Hex Nut	30-6001	3
19	Washer	28-0002	17	57	Battery Strap	33-0430	1
20	Bolt	27-0015	8	61	Battery Cable Cover	33-0429	1
21	Lockwasher	29-0006	9	58	Terminal Ring	32-0097	4
22	Electric Box Assembly	20-0831A01	1	59	Cable	32-0065	2
23	Capacitor Clamp Bracket	20-0797A01	2	60	Battery Cable Cover	33-0004	1
24	Bolt	27-0120	2	62	Bolt	27-0066	2
24	Capacitor	32-0846	2	63	Frame Assembly	5-0231A01	1
25	Bolt	27-0022	1	64	Decal- Warning (See 34-9038)	N/A Sep.	1
26	Locknut	30-0152	10	65	Decal- Generator	34-2238	1
27	GFCI Duplex Receptacle	32-0830	2	66	Fuel Tank Isolator	14-0103	4
28	Toggle Breaker	32-0834	2	67	Fuel Tank Assembly	856-0008	1
29	Toggle Breaker	32-0836	1	68	Bolt	27-0016	4
30	Control Panel	20-1118A01	1	69	Clamp Worm	42-0004	2
31	Decal Cover Plate	20-0833A01	1	70	Hose Fuel *(One Foot Required)	15-0261	1
32	Decal- Operation (See 34-9038)	N/A Sep.	1	71	Decal- Grainger 800#	34-1444	1
33	Rocker Switch	32-0626	1	72	Conduit Flex		
34	Bolt	27-8881	22		*(Two Feet Required)	32-0253	1
35	Hour Meter	32-0668	1	73	Alternator Plate	5-0244A01	1
37	Volt Meter	32-0838	1	74	Bolt	27-0167	1
36	Screw	27-9574	10	75	Muffler	45-0085	1
37	Lockwasher	29-1013	30	76	Spacer	33-0431	2
38	Decal- Control Panel (See 34-9038)	N/A Sep.	1	77	Engine- 13.0 HP Honda	1-0153	1
					Decal Set (Inc. 33, 40, 51, 66)	34-9038	

For Repair Parts, call 1-800-323-0620**24 hours a day – 365 days a year**

Please provide following information:

- Model number
- Serial number (if any)
- Part description and number as shown in parts list

**Figure 3 – Repair Parts Illustration for 32-0825 082605**

Models 2ZRP8, 2ZRP9

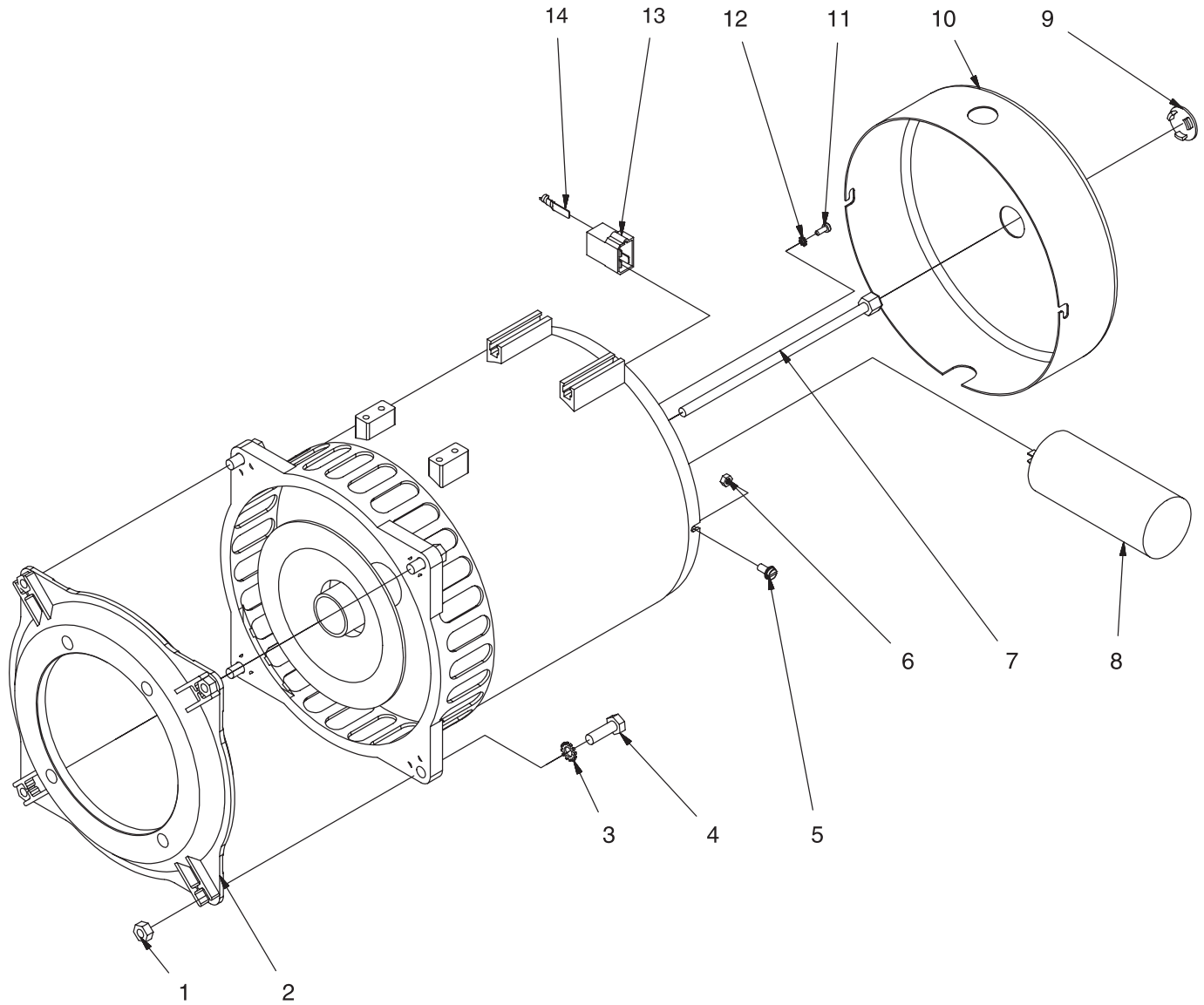
Repair Parts List for 2ZRP8 Generator

Ref. No.	Description	Part No.	Qty.	Ref. No.	Description	Part No.	Qty.
1	Nut	30-3007	4	9	Alternator Cap	52-0076	1
2	Alternator Flange	52-0071	1	10	Alternator End Cover	52-0073	1
3	Lockwasher	29-0110	4	11	Self Tapping Screw	27-9586	1
4	Bolt	27-8042	4	12	External Lockwasher	29-1013	1
5	Bolt	27-9593	2	13	Terminal Ring	52-0077	1
6	Hex Nut	30-6001	2	14	Terminal Spade	32-0878	4
7	Bolt	27-9585	1		Complete Assembly (Inc. 1-14)	32-0825	
8	Capacitor	32-0874	1				

For Repair Parts, call 1-800-323-0620**24 hours a day – 365 days a year**

Please provide following information:

- Model number
- Serial number (if any)
- Part description and number as shown in parts list

**Figure 4 – Repair Parts Illustration for 32-0826 082605**

Models 2ZRP8, 2ZRP9

Repair Parts List for 2ZRP9 Generator

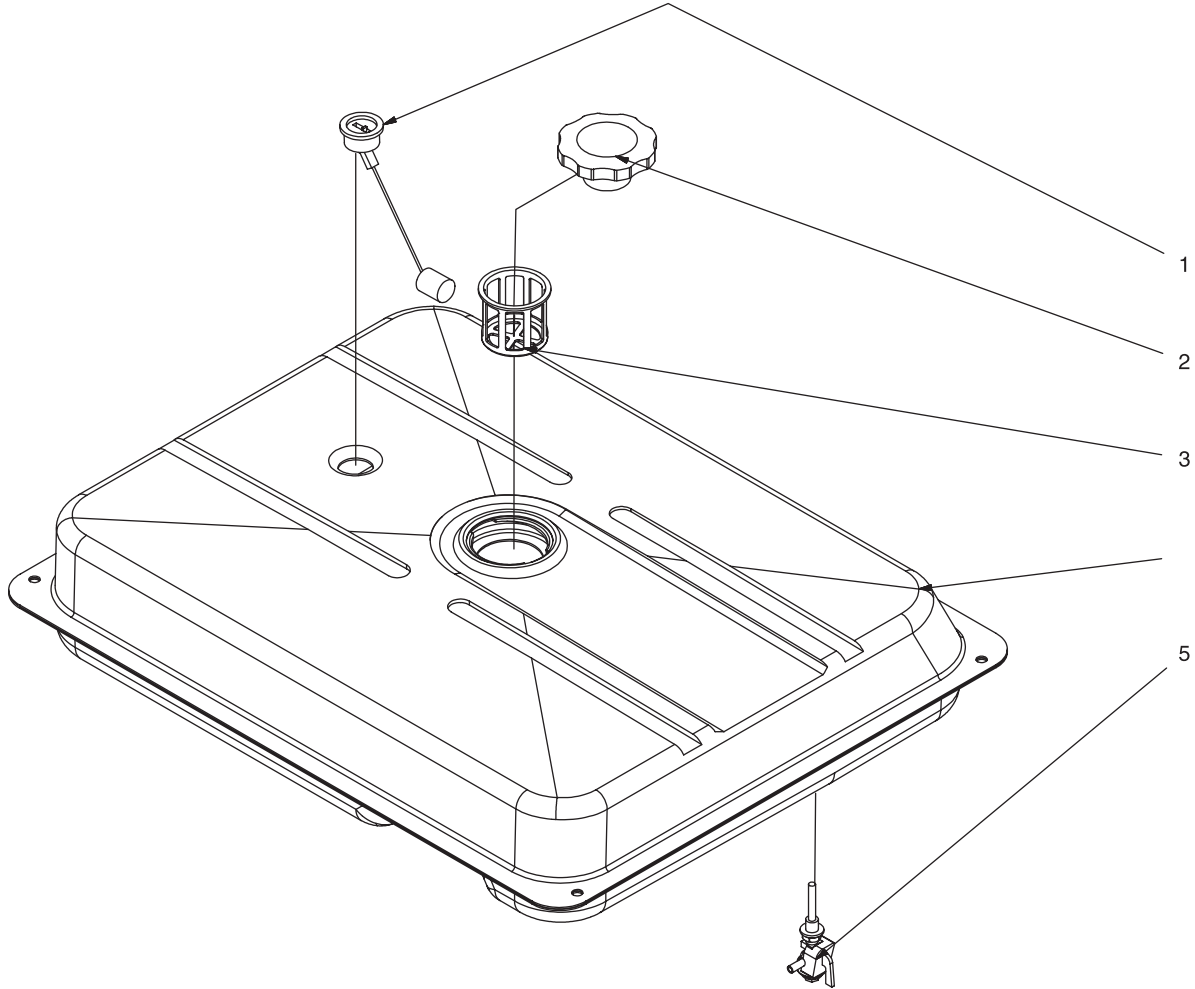
Ref. No.	Description	Part No.	Qty.	Ref. No.	Description	Part No.	Qty.
1	Nut	30-3007	4	9	Alternator Cap	52-0877	1
2	Alternator Flange	52-0072	1	10	Alternator End Cover	52-0074	1
3	Lockwasher	29-0110	4	11	Self Tapping Screw	27-9586	1
4	Bolt	27-8062	4	12	External Lockwasher	29-1013	1
5	Bolt	27-9593	2	13	Terminal Ring	52-0077	1
6	Hex Nut	30-6001	2	14	Terminal Spade	32-0878	4
7	Bolt	27-9584	1		Complete Assembly (Inc. 1-14)	32-0826	
8	Capacitor	32-0875	1				

For Repair Parts, call 1-800-323-0620

24 hours a day – 365 days a year

Please provide following information:

- Model number
- Serial number (if any)
- Part description and number as shown in parts list



E
N
G
L
I
S
H

Figure 5 – Repair Parts Illustration for 856-0008

Models 2ZRP8, 2ZRP9

Repair Parts List for Fuel Tank

Ref. No.	Description	Part No.	Qty.	Ref. No.	Description	Part No.	Qty.
1	Fuel Guage	12-0178	1	4	Fuel Tank	12-0176	1
2	Fuel Cap	12-0177	1	5	Fuel Shut-off Valve	19-0553	1
3	Fuel Filter	19-0554	1		Complete Assembly (Inc. 1-5)	856-0008	

E
N
G
L
I
S
H

For Repair Parts, call 1-800-323-0620

24 hours a day – 365 days a year

Please provide following information:

- Model number
- Serial number (if any)
- Part description and number as shown in parts list

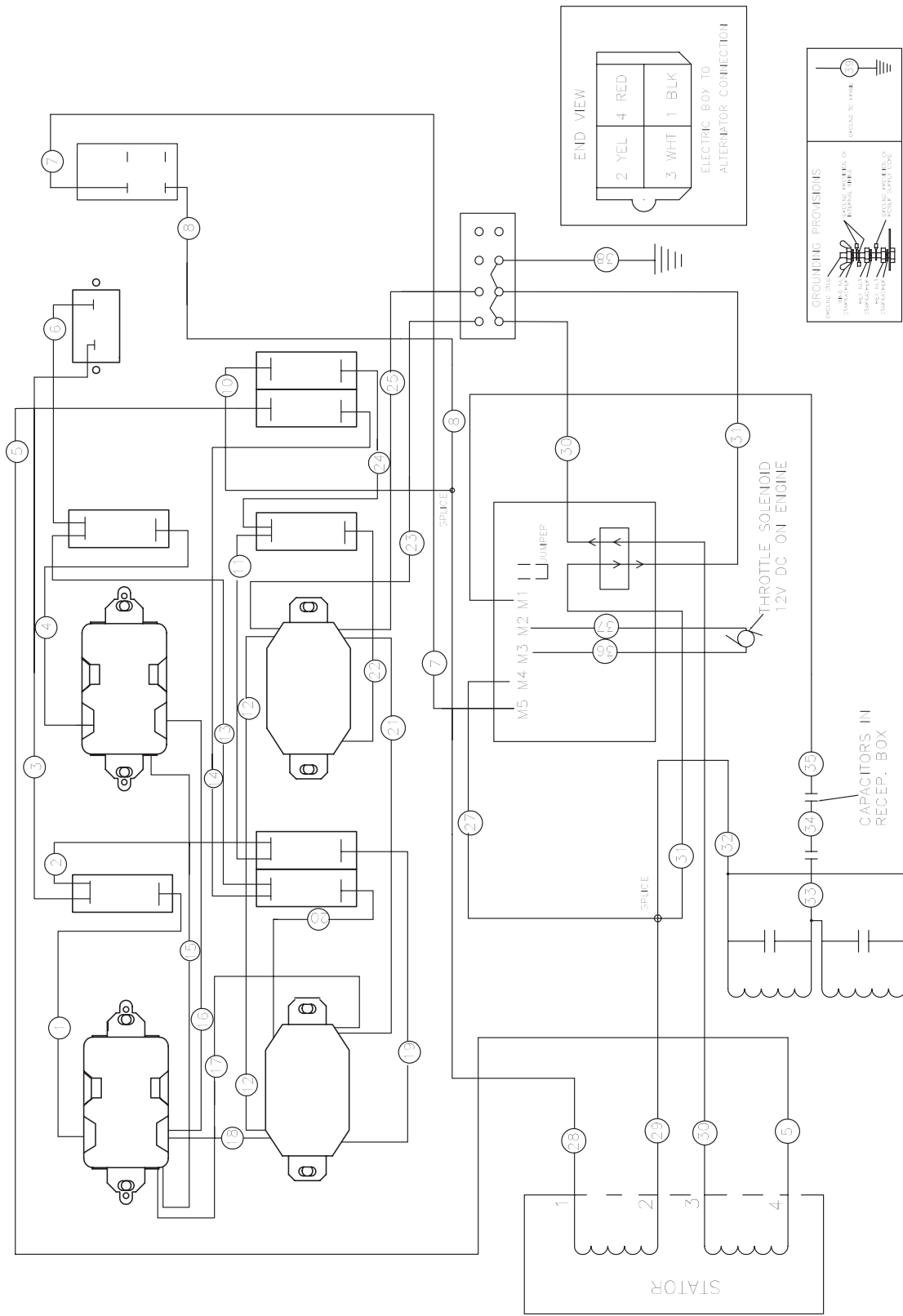


Figure 6 – Repair Parts Illustration for 2ZRP8 Wire Diagram

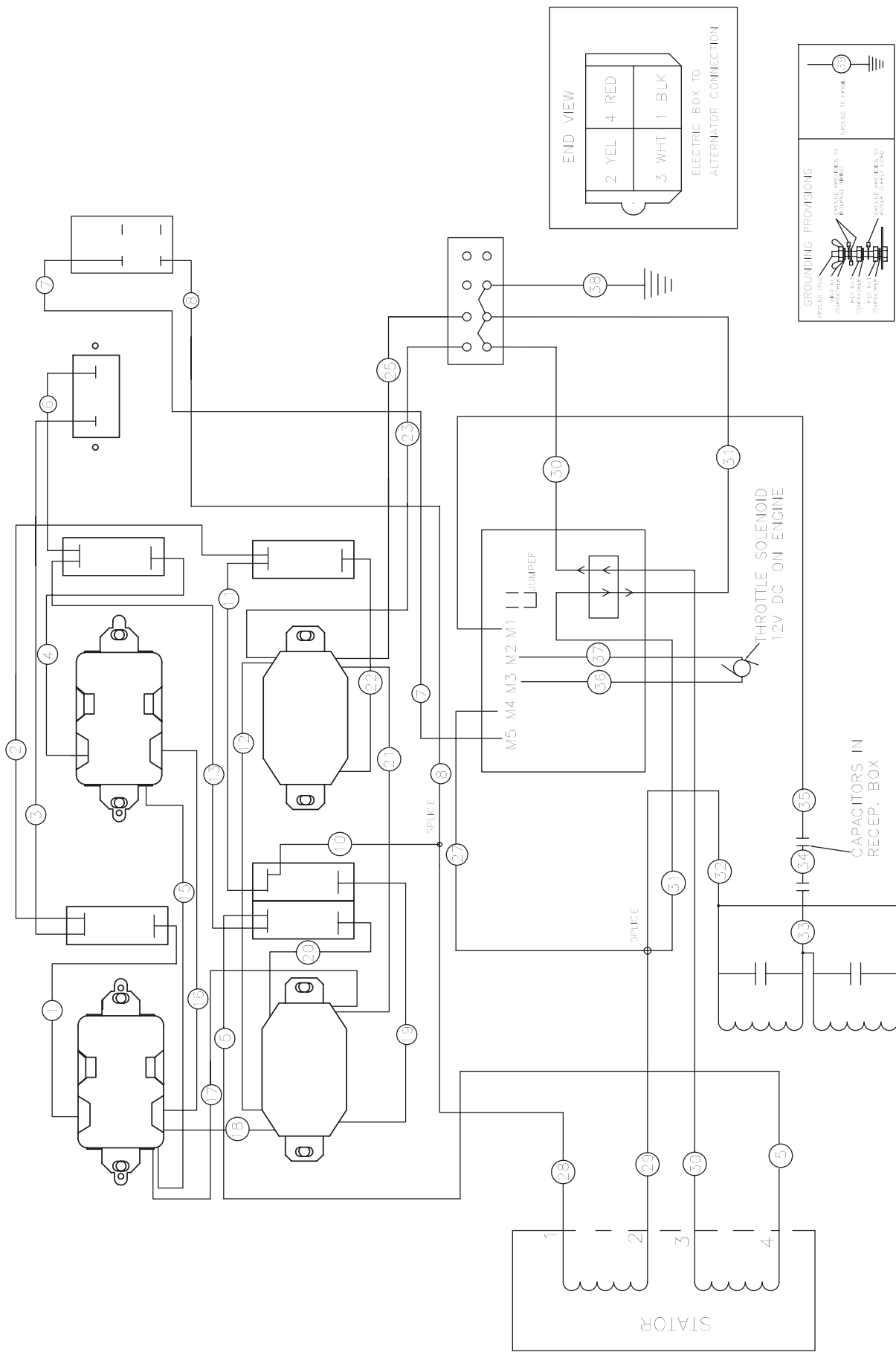


Figure 7 - Repair Parts Illustration for 2ZRP9 Wire Diagram

Por favor lea y guarde estas instrucciones. Léelas cuidadosamente antes de tratar de montar, instalar, operar o dar mantenimiento al producto aquí descrito. Protéjase usted mismo y a los demás observando toda la información de seguridad. ¡El no cumplir con las instrucciones puede ocasionar daños, tanto personales como a la propiedad! Guarde estas instrucciones para referencia en el futuro.

Generator Dayton®

Descripción

El generador de Dayton fue construido con el nivel más alto de precisión y exactitud. Cada componente ha sido rigurosamente probado por técnicos para asegurar la calidad, la resistencia y la ejecución de este generador.



Desembalaje

Cuando desempaquetando la unidad, con cuidado inspeccione para señales del daño de carga obvio u oculto. Si el daño existe realmente, presente una afirmación a la compañía de transporte inmediatamente. Está seguro que todas las partes dañadas son sustituidas y que los problemas mecánicos y eléctricos son rectificadas antes de utilizar la unidad. Herramientas requeridas: desarmador # 2 de Philips

Specifications

Model	2ZRP8	2ZRP9
Motor	Honda	Honda
Potencia Nominal (Vatios CA)	5000	6500
Potencia Nominal Intermitente (Vatios CA)	6000	7500
Voltaje Nominal (CA)	120V/240	120V/240
Maximo Amperaje	35.0/25.0	62.5/31.3
Continuo Amperaje	41.7/20.8	54.2/27.1

Formulario 5S6238

Frecuencia	60	60
Capacidad del Tanque de Combustible	7.3 gal.	7.3 gal.
Horas de Servicio por Tanque de Combustible	8.0 hrs.	6.9 hrs
Dimensiones (in)	29L x 24.4W x 22.5H	

INFORMACIÓN DE SEGURIDAD GENERAL

LEA LAS INSTRUCCIONES DE OPERACIONES. Siempre se ponen familiares con todas las instrucciones y advertencias antes de utilizar cualquier generador.

INFORMACIÓN DE SEGURIDAD

⚠ ADVERTENCIA Para reducir el riesgo de lesiones, lea este manual de operador completamente. Cuando usando este producto, seguir siempre las precauciones básicas consiguientes:

1. Lea todas instrucciones antes de usando el producto.
2. ¡NUNCA permita que los niños o

adolescentes operen esta unidad!

3. No opere la unidad cuanto esté fatigado o bajo la influencia de alcohol o drogas. Esté alerta. Observe lo que hace.
4. Observe las instrucciones de mantenimiento especificados en este manual.
5. Cuando empezando el generador usando la empuñada de arranque de retroceso asegúrese que nada está en posición para tocar de mano o brazo de operador.
6. Asegúrese que interruptor en herramientas Eléctricas está en posición de "OFF" antes de los tapando entre generador.
7. Mantenga área inmediato libre de todos transeúntes.
8. Asegúrese que cada persona que opera este generador tiene instrucciones correctos en operación con seguridad.
9. No opere el generador o alga herramienta eléctrica en área donde agua o materiales similares constituir un riesgo eléctrico a operador. No opere en superficies mojados, en lluvia o nieve.
10. Siempre asegúrese que generador está en equilibrio seguro para no puede resbalar o mover, poniendo los trabajadores en posiciones peligrosos.

⚠ ADVERTENCIA

Este producto contiene química conocido por el estado de California a causar cancer, defectos de nacimiento, y otros peligros reproductor.

⚠ ADVERTENCIA

Los gases del motor del este producto contiene química conocido por el estado de California a causar cancer, defectos de nacimiento, y otros peligros reproductor.

Impreso en EE.UU.
06272
0908/433/VCPVP

37-1023 091208

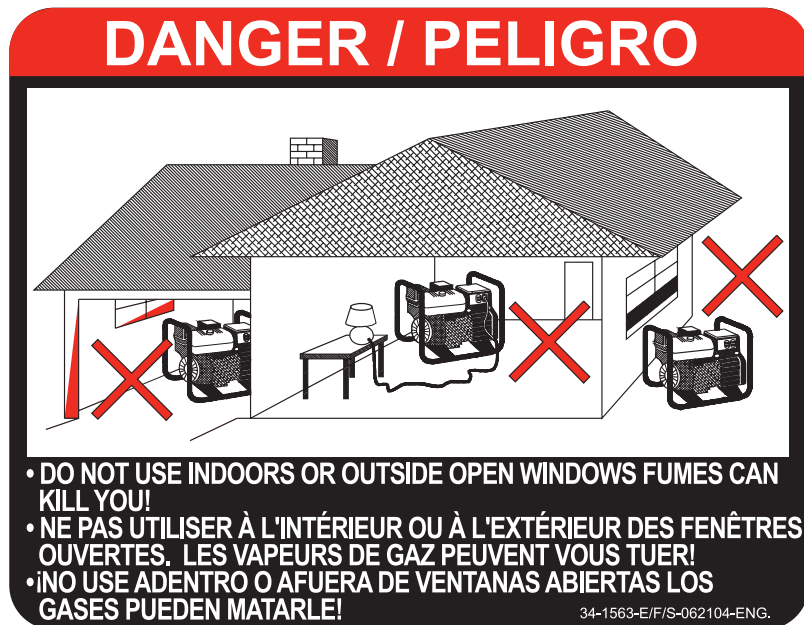
ENGLISH

ESPAÑOL

FRANÇAIS

Generator Dayton®

11. Evite tocando el colector de exhausto calor, moefle, o cilindros. Quede afuera de todas partes moviendo.
12. A menos que el herramienta o aparato es insultado doble, lo tiene que tomar a tierra por recipiente que conectar a tierra correcto. (Vea Instrucciones de Preparando el Generador, Toma a Tierra). Herramientas y aparatos que tienen 3 tapones de dientes tienen que tapar entre extensiones y recipientes eléctricos con 3 agujeros. Antes de operando algo artículo eléctrico, asegúrese que estar en arreglo bueno.
13. Siga instrucciones en este manual cuando examinando Interruptor de Circuito de Falla a Tierra Integrado para asegurar operación fiable.
14. Ten cuidado de usando este equipo en espacios limitados. Espacios limitados, sin ventilación insuficiente de aire fresco, pueden contener gases peligrosos. Operando motores de gasolina en estos medios ambientes puede empezar explosiones y / o asfixia.
15. Si su generador viene con una maquina de transportar, asegúrese que unidad esté seguro durante operación y cuando moviendo para prevenir movimientos inesperados o rodantes.
16. Use caución extremo o cuando levantando este generador. No use manivelas de maquina de levantar para levantar este generador, use sólo gancho de levantar designados para levantar este generador. Este generador es muy pesado entonces debe usar técnicas correctas de



levantando.

¡GUARDE ESTAS INSTRUCCIONES!

MONÓXIDO DE CARBONO- GAS

VENENOSO Use generador en aire libre, afuera de ventanas abiertas, tiros, o puertas.

Exhausto de generador contiene monóxido de carbono- un gas venenoso que puede matarle. No puede oler o ver este gas.

Nunca use generador en espacios cerrados o parcialmente cerrados. Generadores puede producir nevelas altas de monóxido de carbono muy rápido. Cuando use un generador portable, recuerde que no puede oler o ver monóxido de carbono. Aunque si no pueda oler gases de exhausto, puede exponerle a monóxido de carbono.

Si empieza sentir enfermo, mareo, o débil cuando usando generador, vaya adentro PRONTO. NO RETRASE. Monóxido de carbono de generadores

puede llevar rápidamente a todo incapacitado y muerte.

Si tenga síntomas serias, tenga atención medica inmediatamente . Diga empleados medicos que sospechar de venenoso de monóxido de carbono. Si tenga síntomas mientras adentro diga alguien llamar el departamento de fuegos para determinar cuando seguro para entrar otra vez el edificio.

NUNCA opere generador en atmósfera explosivo, cerca materias combustibles o donde ventilación no es suficiente para llevar gases de exhausto afuera. Gases de exhausto puede causar lesiones graves o muerte.

NUNCA use generador adentro, incluyendo en casas, garajes, sótanos, espacios pequeños, y otras áreas cerradas o parcialmente cerradas, aunque con ventilación. Abriendo puertas y ventanas o usando ventiladores no prevenir acumulación de monóxido de carbono en casas.

Modelos 2ZRP8, 2ZRP9

Siga las instrucciones que viene con su generador. Encuentre unidad de aire libre y afuera de puertas, ventanas, y tiros que puede permitir gas de monóxido de carbono para entrar adentro.

Funcione SOLAMENTE el generador al aire libre y lejos de tomas de aire.

NUNCA funcione el generador dentro de hogares, de garages, de vertientes, o de otros espacios semi-enclosed. Estos espacios pueden atrapar los gases venenosos INCLUSO SI usted funciona un ventilador o abre puertas y ventanas.

Si usted comienza a sentirse enfermo, mareado, o débil mientras que usa el generador, cerró si apagado y consigue el aire fresco ENSEGUIDA. Vea a doctor. Usted puede tener envenenamiento de monóxido de carbono.

Instale alarmas de monóxido de carbono que operados de batería o alarmas de monóxido de carbono enchufadas con seguridad de batería en su casa según las instrucciones de instalación de fabricante. Las alarmas de monóxido de carbono deben tener certificación de requisitos de calidades de seguridad últimos para alarmas de monóxido de carbono. (UL 2034, IAS 6-96 o CSA 6.19.01).

Examine su alarma de monóxido de carbono frecuentemente y reemplace baterías muertas.

INSTRUCCIONES DE SEGURIDAD DE LLENADO DE COMBUSTIBLE Gasolina es flamable extremo y sus vapores pueden explotar si inflamar.

Observe todas regulaciones de seguridad para manejando seguro de combustible. Maneje combustible en envases de seguridad. Si envase no tiene pico, use un embudo.

No sobrellene el tanque de combustible,

mantenga espacio para expansión de combustible.

No rellene tanque de combustible mientras el motor está funcionando. Antes de rellenando generador, doble apagado y permite enfriarse. Gasolina que derramada en partes del motor puede inflamar.

Llene el tanque solamente en una área de tierra pelada. Mientras llenando el tanque, mantenga calor, chispas, y llamas abiertas afuera. Con cuidado limpie todo combustible derramado antes de empezando el motor.

Siempre llene tanque de combustible en una área con mucha ventilación para evite inhalando gases peligrosos.

NUNCA mantenga combustible para su generador e la casa. Gasolina, propano, kerosene, y otros líquidos inflamables deben mantener afuera de áreas de vivienda en envases seguros sin vidrio y calificados correctos. No los mantenga cerca de aparato de ardiente de combustible como calentador de gas natural en un garaje. Si combustible derrame o envase no cerrado correcto, vapores invisibles de lata de combustible viaja adelante de la tierra y pueden inflamar del piloto de aparato o de arcos de interruptores eléctricos en aparato.

DISYUNTOR DE FALLA A TIERRA. Estos generadores están equipados con dos receptáculos dobles de 120VCA con disyuntores de falla a tierra. Esta es una medida de protección contra el peligro de electrocución por accidentes o fallas de herramientas, cordones y cables.

Un GFCI es un aparato que interrumpir electricidad de cualquiera la utilizada o generador por un típico especial de corte circuito si hay una falla de corriente de flujo a la tierra.

Un GFCI puede usar sólo con generadores que tienen alambre neutro adherido interior a armazón y armazón conecta a tierra correcta. Un GFCI no opere en generadores que no tienen alambre neutro adherido a armazón o en generadores que no conectar a tierra correctos. Todos generadores de Dayton tienen alambres de tierra adheridos internamente.

Un GFCI puede requerir de regulaciones de OSHA, Códigos de Eléctrico Nacional y Códigos local y federal cuando operando un generador.

Para más protecciones en contra de riesgos de descarga debido al equipo defectivo sujetar a recipientes de cerrado rosca, considere también el uso de un GFCI en cada recipientes.

Los GFCI y series de cordones protegidos y cables pueden comprar de casas locales de suministro eléctrico.

⚠ ADVERTENCIA *Para que el GFCI funcione correctamente, es necesario que el generador tenga la toma a tierra adecuada. Siga los procedimientos correctos para la toma a tierra que se detallan a continuación.*

⚠ ADVERTENCIA *Solamente esta "GFCI" el enchufe 120V duplex.*

RIESGOS DE ELECTRICOS. Este producto tiene que tener la toma a tierra. Si lo debe fallar o funcionar mal la toma a tierra proveer un camino de resistencia mínima para corriente eléctrica para reducir el riesgo de descarga eléctrica.

⚠ PELIGRO CONEXIÓN INCORRECTA DE EQUIPO-CONDUCTOR DE TIERRA PUEDE RESULTAR EN RIESGO DE ELECTROCUCIÓN. HABLE CON UN ELECTRICISTA CALIFICADO O REPRESENTANTE DE SERVICIO SI TENGA DUDA SOBRE QUE LA UNIDAD TIENE LA TOMA A TIERRA CORRECTA.

Generator Dayton®

Este generador tiene una terminal de tierra para su protección. Siempre completar el camino de tierra del generador a un fuente de tierra exterior como enseñar en la sección se llama "Instrucciones de Toma a Tierra" en la sección de Preparación en este manual.

El generador es un fuente potencial de descarga de eléctrico si no mantenga seco. Mantenga el generador seco y no use en lluvia o condiciones mojados. Para porteger de humedad, opere en superficie seco abajo de una estructura abierta y como un dosel. Seque sus manos si mojados antes de tocando el generador.

Riesgo de descarga eléctrica si opere este generador con GFCI de falla (Interrupor de circuito de Falla tierra Integrado) Examine GFCI antes de cada uso, vea Instrucciones de Operando para más información. Si GFCI falla el exam, NO USE su generador. Contacte su concesionario de Dayton.

Tape aparatos directamente entre el generador. O, use extensión muy resistente que tiene indice de aire libre y tiene indice (en vatios o amperios) por lo menos igual a la suma de las cargas de aparatos conectadas. Revise que todo cordón sea libre de cortos, roturas, y que la tapa tiene todos los tres dientes, especialmente un perno de tierra

NUNCA trate dar potencia a instalación de casa como tapando el generador entre un tomacorriente del muro, una práctica se llama "alimentando atraso." Esta práctica es muy peligroso que presentar un riesgo de electrocución a trabajadores de utilidad y algunos vecinos que tienen servicio del mismo transformador de utilidad. Esta también circunvala aglunos aparatos de protección de circuito que son

empotrados en la casa.

Si tiene que conectar el generador a la instalación de casa a aparatos de potencia, tiene un electricista calificado instala el equipo apropiado de acuerdo con códigos de eléctrico locales. O revise con su compañía de utilidad para preguntar sobre instalación de un interruptor apropiado de tranferir de potencia.

Para apagados de potencia, generadores estacionarios que instalados permanente son mejores para manteniendo potencia respalda a la casa. Hasta un generador portable que conecte correcto puede sobrecargar. Este puede resultar en recalentando o recalcando los componentes de

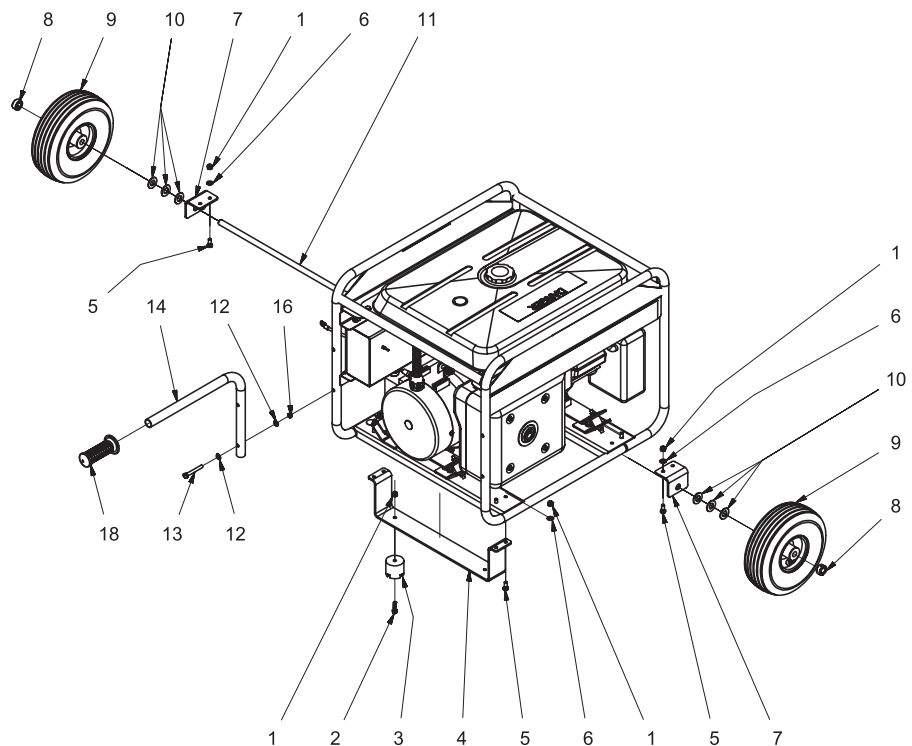
generador, con la posibilidad de empezar a falla del generador.

Instalación

ASAMBLEA PARA RUEDAS Y ASIDEROS:

Use los artículos siguientes para la instalación: Aislador (3), tornillos (2), Tuerca de fijación (1), Asamblea de subsoporte (4), tornillos (5), Arandelas (6), Cuello/mango (8), Ruedas (9), Arandelas (10), Soporte de Eje (7), Arandelas (12) Eje (11) Tornillos (13), Asamblea de Asidero (14), Tuerca de fijación (15).

1. Levante el generador de la superficie de trabajo para permitir una margen a montar el Equipo de Rueda en la unidad.



Modelos 2ZRP8, 2ZRP9

NOTA: Asegúrese que el generador está estable y seguro antes de instalar el Equipo de Rueda

2. Ensamble los Aisladores (3) a la Asamblea Subsoporte (4) utilizando dos tuercas de fijación (1) y dos tornillos (2), apriete tornillos bien.
3. Utilizando cuatro tuercas de fijación (1), cuatro arandelas (6), y cuatro tornillos (5) ensamble la Asamblea Subsoporte (4) en el final de alternador del generador. Apriete todos los tornillos bien dentro del carril.
4. Sujete los soportes del eje (7) al final del motor del generador usando cuatro tornillos, cuatro arandelas, y cuatro tuercas de fijación. Apriete todos los tornillos bien.
5. Utilizando dos cuellos (8), seis arandelas (10) y el eje (11) monte ambas ruedas (9) en el generador. Asegúrese que el eje está centrado con el generador.
6. Sujete las Asambleas de Asidero (14 y 15) al marco/bastidor utilizando cuatro tornillos (13), ocho arandelas (12), y cuatro tuercas de fijación (16), apriete los tornillos.

INSTRUCCIONES DE CONEXION A TIERRA

Este equipo debe conectarse a tierra. La conexión a tierra provee un camino de resistencia reducida a la corriente eléctrica para reducir el riesgo de choque, en caso de malfuncionamiento o falla.

⚠ PELIGRO *La conexión incorrecta del conductor de conexión a tierra del equipo puede resultar en un riesgo de electrocución. Si usted tiene dudas acerca de si el tomacorriente está correctamente conectado a tierra, consulte con un electricista calificado o personal de servicio.*

En todos los casos se deberán utilizar la tuerca con orejetas y el terminal de la toma a tierra situados en el armazón para conectar el generador a una fuente de toma a tierra adecuada. Se deberá utilizar un cable de tamaño #8 para efectuar el circuito de la toma a tierra. Conecte el terminal del para la toma a tierra entre la arandela de seguridad y la tuerca con orejetas y apriete la tuerca completamente. Conecte firmemente el otro extremo del cable a una fuente de toma a tierra adecuada.

En el Código Eléctrico Nacional (<<National Electric Code>>) se indican algunos métodos prácticos para establecer una buena fuente para la toma a tierra. Los ejemplos que se indican a continuación ilustran algunos de estos métodos para establecer una toma a tierra adecuada.

Como fuente para la toma a tierra se puede utilizar un conducto metálico subterráneo para el paso de agua que se encuentre en contacto directo con el suelo y que tenga una extensión mínima de 10 pies. En caso de que no disponga de un tubo subterráneo, se puede utilizar un tubo o barra con una longitud de 8 pies como fuente para la toma a tierra. El tubo debería tener un tamaño estándar de 3/4 pulgadas como mínimo, y la superficie exterior debería ser resistente a la corrosión. En caso de que se utilice una barra de acero o hierro, el diámetro de la misma debería ser de 5/8 pulgadas como mínimo. Si se utiliza una barra de un material que no sea hierro, el diámetro de la misma debe ser de 1/2 pulgada como mínimo, y debe estar clasificado como un material adecuado para efectuar la toma a tierra. Introduzca la barra o el tubo a una profundidad de 8 pies. En caso de que el fondo empiece a ser rocoso a

una profundidad inferior a cuatro pies, deberá enterrar el tubo o la barra en una zanja. Todas las herramientas e instrumentos eléctricos operados desde este generador deberán tener la toma a tierra adecuada. Para ello se habrá de utilizar un tercer cable, el cual deberá tener un <<Aislamiento Doble>>.

Se recomienda que:

1. Use dispositivos eléctricos con cables eléctricos de 3 espigas.
2. Use un cable de extensión con 3 tomas y un enchufe de 3 espigas en los extremos opuestos, para asegurar la continuidad de la protección de la toma a tierra que va desde el generador hasta el aparato eléctrico.

Le recomendamos igualmente que se cumplan con todos los reglamentos nacionales, regionales y locales relacionados con las especificaciones de toma a tierra que resulten aplicables.

CONMUTADOR DE TRANSFERENCIA DE LINEA

Si este generador va a ser utilizado como servicio de reserva para casos de emergencia, será necesario que incorpore un conmutador de transferencia de línea entre el servicio de suministro eléctrico público y el generador. El conmutador de transferencia no sólo evita que la línea de suministro eléctrico público alimente al generador, sino que además impide que el generador alimente a las líneas de suministro de la compañía eléctrica. Se pretende con ello proteger a las personas encargadas del servicio cuando se encuentren trabajando en una línea que pueda estar dañada.

ESTA INSTALACIÓN DEBERÍA ser efectuada por un electricista certificado. se deba cumplir con todos LOS CÓDIGOS locales.

Generator Dayton®

ACEITE DEL MOTOR

Use un aceite de motor de la viscosidad que corresponda a la gama de temperatura ambiente durante el periodo entre cambios de aceite.

Usar un aceite detergente de alta calidad con clasificación API SJ o superior.

Revise siempre el nivel de aceite antes de poner la máquina en marcha, y asegurarse de que se mantenga.

▲ PRECAUCIÓN ESTE MOTOR VIENE DE FÁBRICA SIN ACEITE EN EL CÁRTER. ASEGURARSE DE CARGAR ACEITE ANTES DE PONER EL MOTOR EN MARCHA.

NOTA: Estos motores están protegidos con un sistema de corte por bajo nivel de aceite. Si el motor no arranca, como primera medida inspeccionar el nivel de aceite en el cárter.

ANTES DE LA OPERACIÓN

CARGA DE COMBUSTIBLE

Para llenar con aceite:

1. Ponga en nivel el motor para asegurar de inspección adecuada para prevenir sobrellenando.
2. Destornille el indicador de aceite (Fig 1), limpie varilla del aceite seco. Vuelva a insertar el indicador del aceite respaldo entre la abierta de indicador del aceite. Evite el indicador del aceite y revise el nivel del aceite.
3. El nivel del aceite debe estar entre la marca del lleno y abajo en varilla del aceite.

NOTA: Cuando revisando el aceite, asegúrese que motor esté en nivel.

4. Llene con aceite como necesario por abierta del indicador de llenado del aceite.
5. Reemplace indicador del aceite y atornille firmemente.

6. Limpie algo aceite derramado.

▲ ADVERTENCIA EL COMBUSTIBLE ES EXPLOSIVO!

LA GASOLINA (NAFTA) ES UN FLUIDO EXTREMADAMENTE INFLAMABLE Y SUS VAPORES PUEDEN EXPLOTAR EN PRESENCIA DE UNA CAUSA DE IGNICIÓN.

GUARDE EL COMBUSTIBLE EN RECIPIENTES APROBADOS ESPECIALMENTE PARA ELLO, EN LUGARES BIEN VENTILADOS, NO HABITADOS, Y ALEJADOS DE LLAMAS Y CHISPAS.

NO CARGUE COMBUSTIBLE CON EL MOTOR CALIENTE O EN MARCHA, YA QUE UN DERRAME PODRÍA INCENDIARSE SI ENTRA EN CONTACTO CON UNA PIEZA MUY CALIENTE O CON LA CHISPA DE UNA BUJÍA. NO ARRANCAR EL MOTOR CERCA DE COMBUSTIBLE DERRAMADO.

NO USE COMBUSTIBLE COMO LIQUIDO LIMPIADOR.

▲ ADVERTENCIA NO CARGUE EN EXCESO EL TANQUE DE COMBUSTIBLE. DEJAR ESPACIO PARA LA EXPANSIÓN DEL COMBUSTIBLE.

RECOMENDACIONES GENERALES

- Compre gasolina en cantidades moderadas y guardarlo en recipientes limpios especialmente aprobados para uso con combustible.
- Es recomendable no utilizar combustible que haya quedado del año anterior. Así se reducirá al mínimo la formación de sedimentos en el circuito de combustible y la máquina arrancará con más facilidad.
- No agregue aceite a la gasolina.

TIPO DE COMBUSTIBLE

- Para obtener óptimo rendimiento, usar gasolina limpia, sin contenido de plomo, y con un grado de octanaje de al menos 87.
- Es más conveniente utilizar

gasolina sin plomo, ya que deja menos sedimentos en la cámara de combustión del motor.

MEZCLAS DE GASOLINA Y ALCOHOL:

Las mezclas de gasolina sin plomo y alcohol, también denominadas Gasohol o Alconafta, se pueden usar para motores (hasta el 10% de alcohol etílico y 90% de gasolina sin plomo, en proporción volumétrica). No use otros tipos de mezcla de alcohol y gasolina con el motor.

MEZCLAS DE GASOLINA Y ÉTER: Las mezclas de gasolina sin plomo y éter terciario butilmetílico (MTBE) se pueden usar para motores (hasta un máximo del 15% de MTBE en proporción volumétrica). No use otros tipos de mezcla de gasolina y éter con el motor.

INSTALACIÓN DE BATERÍA/ PILA
ADVERTENCIA: SÓLO DEBERÍA SER HECHO POR UN DISTRIBUIDOR AUTORIZADO.

ALTITUD ALTA

En altitud alta, la mezcla de aire/ combustible del carburador estandar será demasiado rico. Función disminuirá y consumo de combustible aumentará. Una mezcla muy rica también fallará el chispero y causar empezando difícil. Operación a una altitud que es diferente de altitud donde el motor fue certificado, para una extensión de mucho tiempo, puede aumentar emisiones

Función de altitud alta puede mejorar de modificaciones especificos al carburador. Si siempre operar su generador a altitudes más de 5,000 pies (1500 metros), su concesionario haga esta función de modificación a carburador. Este motor, cuando operando a altitud alta con modificaciones a carburador para uso en altitud alta, encontrará cada estandar

Modelos 2ZRP8, 2ZRP9

de emisión en toda vida de uso.

Con modificación de carburador, caballo de fuerza de motor disminuirá sobre 3.5% para cada 1,000 pies (300-metros) aumento en altitud. Este efecto de altitud en caballo de fuerza será más grande de este si no haga modificación de carburador.

NOTA: Cuando el carburador modificó para operación sw altitud alta, la mezcla de aire/combustible será demasiado delgado para uso en altitud abajo. Operación a altitudes abajo de 5,000 pies (1500 metros) con carburador modificado causaría recalentado de motor y resultaría en daño serio de motor.

OPERACIÓN

ARRANQUE DE RETROCESO

NOTA: Lea manual de operador antes de operar esta unidad. Siempre asegúrese que unidad sea plana y conecte a tierra correcto. Revise el aceite de motor antes de empezando.



1. Abra válvula de comestible en unidad o motor.
2. Doble interruptor de control de flujo a posición de OFF.
3. Mueva palanca de choke a choke completo. Si reanudando un motor tibio, el choke debe quedar en posición de OFF.



4. Doble interruptor de ignición de motor a posición de ON.
 5. Tire retroceso para empezar el motor.
 6. Cuando motor empieza, mueva muy despacio la palanca de choke a no choke.
- NOTA:** Cuando el motor falla empezar despues de muchos intentos, repite los procedimientos de arranque que se mencionó arriba con palanca de choke en posición de OFF.
7. Permite la unidad a opere por dos (2) minutos para precalentamiento.
 8. Asegúrese que generador toma a tierra. Vea Preparando Generador; Instrucciones de Conexión a Tierra.
 9. Doble cortacircuitos principal a posición de ON.
 10. Examine recipiente(s) de GFCI en la unidad. Empuje el botón de exam. El botón de colocar debe saltar y no debe tener potencia al recipiente. Aplique una carga de examinar o luz a cada recipiente para verificar. SI BOTÓN DE COLOCAR NO SALTE, NO USE LOS RECIPIENTES. VEA CONCESIONARIO PARA SERVICIO INMEDIATAMENTE.
 11. Si recipientes examine correcto, empuje el botón de colocar para

restablecer potencia. Debe oír o sentir un taconazo distinto cuando este es completo. SI RECIPIENTES NO COLOCAR CORRECTO, NO USE RECIPIENTES. VEA CONCESIONARIO PARA SERVICIO INMEDIATAMENTE.

12. Si unidad tiene control de flojear a posición de ON. Ahora cargas pueden aplicar a la unidad.

NOTA: Este motor está protegido con un sistema que para el motor cuando el aceite alcanza un nivel muy bajo. El motor no volverá a arrancar si no se agrega aceite. Consultar la parte "Aceite del Motor" en la sección de "Preparando el Generador."

COMIENZO EL ÉCTRICO

NOTA: Lea manual de operador antes de operar esta unidad. Siempre asegúrese que unidad sea plana y conecte a tierra correcto. Revise el aceite de motor antes de empezando.

1. Abra válvula de comestible en unidad o motor.
2. Doble interruptor de control de marcha en vacío a posición de OFF.
3. Mueva palanca de choke a choke completo. Si reanudando un motor tibio, el choke debe quedar en posición de OFF.
4. Doble interruptor de ignición de motor a posición de ON.
5. Arranque el motor como doblando interruptor de llave en el sentido de las agujas del reloj completo hasta el motor empieza, despedir el interruptor.

NOTA: No haga arrancar el motor continuamente por más de 30 segundos a la vez. Si el motor no arranca, dejarlo en reposo durante unos 3 minutos antes de volver a darle arranque con el interruptor. Si se ignora este procedimiento podría resultar averiado el motor del arrancador.

Generator Dayton®

Si el arrancador no hace girar el motor, detener el procedimiento de arranque inmediatamente y solucionar el problema antes de volver a arrancar el motor. No trate de arrancar el motor haciendo un puente desde otra batería.

6. Cuando motor empieza mueva muy despacio la palanca de choke a no choke.
7. Permite la unidad a opere por dos (2) minutos para precalentamiento.
8. Examine recipiente(s) de GFCI en la unidad. Empuje el botón de exam. El botón de colocar debe saltar y no debe tener potencia al recipiente. Aplique una carga de examinar o luz a cada recipiente para verificar. **SI BOTÓN DE COLOCAR NO SALTE, NO USE LOS RECIPIENTES. VEA CONCESIONARIO PARA SERVICIO INMEDIATAMENTE.**
9. Si recipientes examine correcto, empuje el botón de colocar para restablecer potencia. Debe oír o sentir un taconazo distinto cuando este es completo. **SI RECIPIENTES NO COLOCAR CORRECTO, NO USE RECIPIENTES. VEA CONCESIONARIO PARA SERVICIO INMEDIATAMENTE.**
10. Si unidad tiene control de flojear a posición de ON. Ahora cargas pueden aplicar a la unidad.

NOTA: Estos motores están protegidos con un sistema que para el motor cuando el aceite alcanza un nivel muy bajo. El motor no volverá a arrancar si no se agrega aceite. Conduitar la parte "Aceite del motor" en la sección de "Preparación de la máquina".

PARADA DEL MOTOR

1. Quite todas cargas como desconecten cordones eléctricos y apagando aparatos eléctricos.
2. Permite el motor a operar a

velocidad de marcha lenta o en ninguna condición de carga para enfriarse por dos (2) minutos.

NOTA: El motor podría dañarse si no se lo deja enfriar dos (2) minutos.

3. Cierre válvula de comestible en unidad o motor.
4. Apague interruptor de ignición de motor.

MANTENIMIENTO DEL GENERADOR

Mantener limpias las aberturas de ventilación.

Mantenga el generador limpiado. No rociar con agua.

Revisar periódicamente los tornillos y pernos, y ajustarlos en la medida de lo necesario (véase el cuadro de mantenimiento periódico).

registro de pruebas de disyuntores de falla a tierra:

Al igual que otros dispositivos de seguridad, el GFCI incorporado a estos generadores requiere una inspección mensual para comprobar que funcione correctamente. Para someter el GFCI a prueba, siga las instrucciones y registre la fecha de la prueba en el cuadro que véase la ilustración una más abajo.

1. Ponga el conmutador de control de marcha lenta en la posición <<START>> (arranque) (Si se encuentra equipado de esta manera). A continuación, oprima el botón <<TEST>> (prueba), lo cual hará que se levante el botón >>>RESET>> (posición inicial). Esto interrumpirá el suministro de electricidad hacia ambos toma corrientes del enchufe doble. Compruebe la interrupción una lámpara en cada tomacorrientes.



ADVERTENCIA **SI EL BOTÓN DE COLOCAR**

NO SALTE AFUERA, NO USE EL RECIPIENTE(S). VEA UN CONCESIONARIO AUTORIZADO DE Dayton PARA SERVICIO INMEDIATAMENTE.

2. Si el resultado de la prueba indica que el GFCI funciona correctamente, conéctelo nuevamente a la electricidad presionando FIRMEMENTE el botón <<RESET>> (posición inicial) hasta que escuche con claridad un clic o sienta que ha vuelto a caer en posición.
3. La alta vibración o el efecto de cargas mecánicas severas pueden hacer que el GFCI se dispare. SI EL GFCI SE DISPARA POR SI MISMO EN CUALQUIER MOMENTO, vuelva a ponerlo en la posición inicial y póngalo a prueba según se indica en los puntos anteriores 1 y 2.
4. Para el segundo disyuntor de falla a tierra, repetir los pasos 1 a 3.

ADVERTENCIA

AUNQUE LOS PROCEDIMIENTOS

DE EXAMEN ARRIBA INDICARÁN OPERACIÓN CORRECTO EN UN GENERADOR BAJO TIERRA O A TIERRA INCORRECTO, EL GENERADOR TIENE QUE TOMAR A TIERRA DE INSTRUCCIONES DE CONEXIÓN A TIERRA QUE ESTÁ EN UNA LISTA DE PÁGINA 84 PARA GFCI OPERE CORRECTO Y PARA PROTEJER EL USADOR DE FALLAS ELÉCTRICAS.

COMPONENTES DE EMISIÓN EVAPORADO:

La unidad que compró incluir los componentes siguientes que son de acuerdo con los Estandares de Emisión Evaporado de California Air Resources Board de 2006.

Estandares de Emisión:

1. Manguera de combustible
 2. Instalaciones de Manguera de combustible
- Estos componenetes deben tener

Modelos 2ZRP8, 2ZRP9

inspección en un base diario para grietas, agujeros y uso abnormal. Si ocurrió las grietas, agujeros o uso abnormal, reemplace los componentes inmediatamente.

REGULACIÓN DE VELOCIDAD DEL CONTROL DE MARCHA EN VACIO:

NOTa: La velocidad automática en vacío está calibrada entre 2640 y 2940 RPM.

La velocidad de vacío viene regulada de fábrica y raramente necesita recalibración. Es recomendable llevar a cabo las regulaciones de este tipo en un concesionario de Mi-T-M.

Cuando se produce funcionamiento errático del motor en vacío, normalmente es indicación de que se debe regular el carburador. Si la velocidad en vacío es menor que el límite inferior recomendado o el carburador está mal regulado, el control de velocidad en vacío no funcionará normalmente.

MOTOR:

El motor de este generador está gobernado para funcionar a velocidades próximas a 3600 RPM (60Hz) durante la marcha dentro del rango de cargas admisibles. La velocidad del motor antes de la aplicación de la carga es levemente mayor que la velocidad baja carga, y normalmente está regulada a 3750 RPM.

ADVERTENCIA NO ALTERAR EL MECANISMO DEL GOBERNADOR DE VELOCIDAD DE LA MÁQUINA, NI CAMBIAR SU CALIBRACIÓN PARA EXPERIMENTAR, NI ABRIR AL MÁXIMO EL ACCELERADOR PARA TRATAR DE GENERAR MÁS

POTENCIA ELÉCTRICA, YA QUE SE PUEDE DAÑAR EL EQUIPO O CAUSAR ACCIDENTES PERSONALES. LA REGULACIÓN DEL GOBERNADOR DE VELOCIDAD SE DEBE LLEVAR A CABO ÚNICAMENTE EN UN CONCESIONARIO DE Dayton.

GOVERNOR SPEED ADJUSTMENT SHOULD BE MADE ONLY BY A Dayton Customer Service Representative.

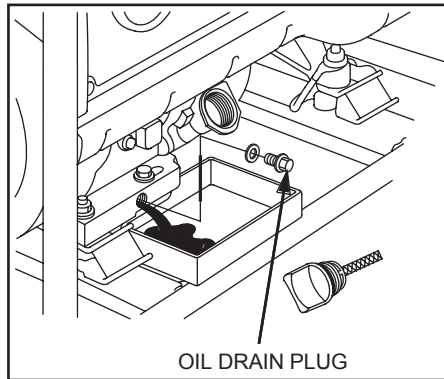
INSPECCIÓN DEL NIVEL DE ACEITE:

Antes de ponga en marcha la máquina, revise siempre el nivel de aceite y mantener el nivel siguiendo las pautas de la sección Preparación de la Generador; Capacidad Del Aceite De Motor.

CAMBIO DE ACEITE DEL MOTOR:

Cambie el aceite después de las primeras 20 horas de funcionamiento, y después hacerlo cada 100 horas.

1. Asegúrese que la unidad está en tierra nivel. Opere el motor para calentar el aceite.
2. Pare el motor.
3. Evite tapón de descarga del aceite.



PRECAUCION El aceite podría estar muy caliente. Tomar precauciones par evitar lesiones personales. Desechar el aceite usado según los reglamentos vigentes.

4. Decargue aceite mientras motor es tipido entre envase apropiado.
5. Reinstale tapón de descarga del aceite.
6. Evite indicador de aceite y rellenar con aceite nuevo.

7. Revise el nivel del aceite como informado en sección de Preparando el Generador; Capacidad del Aceite de Motor.
8. Limpie algo aceite que derramado.

FILTRO DE AIRE:

ADVERTENCIA LIMPIE EL ELEMENTO DEL FILTRO EN UN ÁREA BIEN VENTILADA. ASEGURARSE DE QUE NO HAYAN ELEMENTOS QUE PRODUZCAN CHISPAS NI LLAMAS EN LAS CERCANÍAS DEL LUGAR DE TRABAJO, INCLUYENDO LLAMAS PILOTO. NO USE COMBUSTIBLES NI SOLVENTES DE BAJO PUNTO DE IGNICIÓN PARA LIMPIAR EL ELEMENTO DEL FILTRO, YA QUE SE PONRÍA GENERAR UN INCENDIO O UNA EXPLOSIÓN.

PRECAUCION NO PONGA EL MARCHA EL MOTOR SIN EL FILTRO DE AIRE, YA QUE SE PODRÍAN CAUSAR SERIAS AVERÍAS.

Inspeccione el estado del filtro de aire todos los días, o antes de arrancar el motor. No permite que se acumule suciedad ni residuos en el filtro, y cambiar los componentes que se encuentren dañados.

1. Incerrar la tapa de limpiador de aire y evitar los elementos.
2. Limpie los elementos:

PREFILTRO DE ESPUMA SINTÉTICA: Lave el prefiltro y el filtro de espuma sintética con una solución tibia de agua y detergente. Dejar escurrir el agua, pero sin estrujar los elementos. Dejar secar a la ire el prefiltro y el filtro.

Embeber el prefiltro con aceite de motor nuevao, dejando escurrir el excedente. NO poner aceite de motor en el filtro de sepuma sintética.

NOTA: Limpie el prefiltro y el filtro de espuma sintética cada 25 horas de servicio (o con mayor frecuencia si las condiciones de servicio son extremadamente polvorientas o sucias).

Generator Dayton®

ELEMENTO FILTRANTE DE PAPEL:

No lave el filtro de papel ni limpiarlo con aire comprimido, ya que se pondría dañar. Simplemente golpearlo y sacudirlo con suavidad para eliminar el polvo. Cambiar el filtro de papel si estuviera dañado, doblado o muy sucio. Manejar con cuidado el filtro de papel nuevo, y no usarlo si las superficies de unión estuvieran dobladas o averiadas.

NOTA: Cambie el filtro de papel cada 100 horas de servicio (o con mayor frecuencia si las condiciones de servicio son extremadamente polvorosas o sucias).

Reinstale el prefiltro y el filtro de espuma sintética y elemento de filtro de papel con aire comprimido. Cierre tapa de filtro y sujetar.

LIMPIEZA Y CALIBRACIÓN DE LUZ DE BUJÍA:CHISPERO RECOMENDADO:

MOTOR	Honda
CHISPERO	NGK BPR6ES
ESPACIO DE CHISPERO	0.7 - 0.8 mm (0.03 in.)
ESFUERZO DE TORSIÓN-NUEVO	8.7-10.9 ft-lb
ESFUERZO DE TORSIÓN- REAPRETE	16.6-19.5 ft-lb

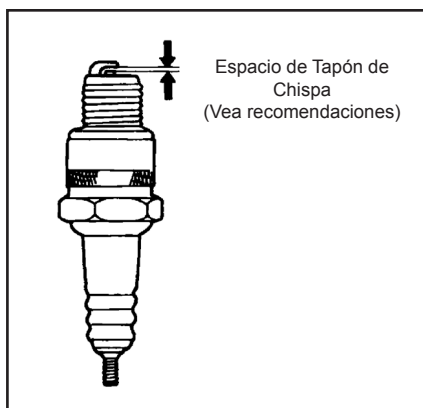
Si tapón sea contaminado con carbono, lo evite usando una limpieza de tapón o cepilla de alambre.

Revise espacio de chispero y colocar si es necesario. Los espacios de chispero están en una lista abajo. Para cambiar el espacio, torcer sólo el lado-electrodo, usando herramienta de chispero.

Instale y aprete el chispero. Conecte el cable de chispero.

ARRESTADOR DE CHISPA:

Si generador había funcionando,



el moefle será muy calor. Permite enfriarse antes de avanzando.

NOTA: Evite y limpie arrestador de chispa cada 100 horas o como necesario.

NOTA: Usadores de producto en tierra de servicio en Los Estados Unidos y en algunos estados, tienen que cumplir con regulaciones de prevención de fuegos.

Limpie el arrestador de chispa como siguiente:

1. Afloje el tornillo cerca de puerto de exhausto de moefle y evitar el arrestador de chispa.
2. Use una cepilla para evitar depósitos de carbono de pantalla de arrestador de chispa. Inspeccione la pantalla para ruptura o roturas y reemplace si necesario.
3. Instale el arrestador de chispa en el orden reverso de extracción.

Arrestadores de chispa son fáciles de conseguir de su concesionario local de Dayton. Otros requisitos de usar pueden aplicar, revisar y hablar con sus autoridades local, Federal, o Estado.

Almacenamiento de generador

A CORTO PLAZO (1 A 6 MESES):

1. Agregue acondicionador y

estabilizador de combustible Dayton (o producto equivalente), con la concentración adecuada.

2. Ponga en marcha la unidad durante dos (2) minutos para asegurar que la mezcla de combustible se distribuya en todo el circuito. Cierre la válvula de combustible y dejar en marcha la unidad hasta que se detenga.
3. Seque la bujía, ponga directamente en el cilindro una o dos cucharadas (5 a 10 centímetros cúbicos) de aceite para motor, tirar lentamente 2 o 3 veces de la cuerda del arrancador, colocar la bujía y ajustarla firmemente.
4. Limpie la superficie externa del generador y aplique una capa de inhibidor de corrosión.
5. Almacene el generador en un lugar seco y bien ventilado.

A LARGO PLAZO (MÁS DE 6 MESES):

1. Agregue acondicionador y estabilizador de combustible Dayton (o producto equivalente), con la concentración adecuada.
2. Ponga en marcha la unidad hasta se consuma el combustible en el tanque y en el carburador. Cuando el motor está aminorando la marcha, lleve la palanca del cebador a la posición de cebado.

NOTA: Anular el control de marcha en vacío para reducir el tiempo en marcha.

3. Seque la bujía, poner directamente en el cilindro una o dos cucharadas (5 a 10 centímetros cúbicos) de aceite para motor, tirar lentamente 2 o 3 veces de la cuerda del arrancador, colocar la bujía y ajustarla firmemente.

Modelos 2ZRP8, 2ZRP9

4. Limpie la superficie externa del generador y aplique una capa de inhibidor de corrosión.
5. Almacene el generador en un lugar seco y bien ventilado.

⚠ ADVERTENCIA **VACIE EL COMBUSTIBLE EN UN ÁREA BIEN VENTILADA Y GUARDARLO EN UN RECIPIENTE APROBADO PARA DICHO USO.**

MANTENIMIENTO	Diario	Cada 25 horas	Cada 100 horas	Cada 200 horas	Antes de almacenar
Inspeccionar nivel de combustible	•				
Inspeccionar nivel de aceite del motor	•				
Inspeccionar estado de tornillos y tuercas	•				
Inspección para detectar pérdidas	•				
Inspección de limpieza de aletas de cilindro y tapa de cilindros	•				
Inspección de nivel de electrolito de batería	•				
Inspección de línea de combustible (cambiar si fuera necesario)	•				
Limpieza del elemento de espuma del filtro de aire (**)		•			
Ajuste de tuercas y tornillos (*)			•		
Cambio de aceite del motor (*)			•		
Limpieza del filtro de combustible			•		
Cambio del elemento de papel del filtro de aire (**)			•		
Limpieza de aletas de cilindro y tapa de cilindros (**)			•		
Limpieza y calibración de luz de bujía				•	
Agregar estabilizador de combustible					•
Dejar la unidad marcha hasta consumir el combustible					•

Generator Dayton®

Tabla de Identificación de Problemas

Síntoma	Causa(s) Posible(s)	Medida Correctiva
El motor no arranca.	Interruptor de motor está en posición de OFF.	Doble interruptor de motor a posición de ON.
	El tanque de combustible está vacío.	Llene el tanque como las instrucciones de este manual.
	Válvula de combustible está en posición de OFF.	Doble válvula de combustible a ON.
	Aceite del motor es inadecuado.	Revise el nivel del aceite. Este motor es equipado con un sensor de baja aceite. El motor no puede arrancar menos que el nivel del aceite sea encima del bajo límite prescrito.
	No chispa a bujía.	Poner el electrodo en contacto con cualquier punto de masa del circuito del motor y tirar de la cuerda del arrancador para verificar si hay chispa en el electrodo. Si no hay chispa, cambiar la bujía. Instalar la bujía y arrancar el motor siguiendo el procedimiento normal. Consultar con un concesionario.
No hay salida de voltaje del generador.	Arranque de control de marcha en vacío.	Coloque control de marcha en vacío.
	Serie de cordón o extensiones inadecuados.	Revise capacidades de series de cordón o extensiones en sección de Controles; Tamaño de Cable en este manual. Consultar con un concesionario.

Modelos 2ZRP8, 2ZRP9

GARANTIA LIMITADA

GARANTIA LIMITADA DE DAYTON POR UN AÑO. DAYTON ELECTRIC MFG. CO. (DAYTON) LE GARANTIZA AL USUARIO ORIGINAL QUE LOS MODELOS TRATADOS EN ESTE MANUAL [DEL/DE LA/DE LOS/DE LAS] 2ZRP8, 2ZRP9 DAYTON® ESTAN LIBRES DE DEFECTOS EN LA MANO DE OBRA O EL MATERIAL, CUANDO SE LES SOMETE A USO NORMAL, POR UN AÑO A PARTIR DE LA FECHA DE COMPRA. CUALQUIER PARTE QUE SE HALLE DEFECTUOSA, YA SEA EN EL MATERIAL O EN LA MANO DE OBRA, Y SEA DEVUELTA (CON LOS COSTOS DE ENVÍO PAGADOS POR ADELANTADO) A UN CENTRO DE SERVICIO AUTORIZADO DESIGNADO POR DAYTON, SERÁ REPARADA O REEMPLAZADA (NO EXISTE OTRA POSIBILIDAD) SEGUN LO DETERMINE DAYTON. PARA OBTENER INFORMACION SOBRE LOS PROCEDIMIENTOS DE RECLAMO CUBIERTOS EN LA GARANTIA LIMITADA, VEA LA SECCION "ATENCIÓN OPORTUNA" QUE APARECE MAS ADELANTE. ESTA GARANTIA LIMITADA CONFIERE AL COMPRADOR DERECHOS LEGALES ESPECIFICOS QUE VARIAN DE JURISDICCION A JURISDICCION.

LIMITES DE RESPONSABILIDAD. EN LA MEDIDA EN QUE LAS LEYES APLICABLES LO PERMITAN, LA RESPONSABILIDAD DE DAYTON POR LOS DAÑOS EMERGENTES O INCIDENTALES ESTA EXPRESAMENTE EXCLUIDA. LA RESPONSABILIDAD DE DAYTON EXPRESAMENTE ESTA LIMITADA Y NO PUEDE EXCEDER EL PRECIO DE COMPRA PAGADO POR EL ARTICULO.

EXCLUSION DE RESPONSABILIDAD DE LA GARANTIA. SE HAN HECHO ESFUERZOS DILIGENTES PARA PROPORCIONAR INFORMACION E ILUSTRACIONES APROPIADAS SOBRE EL PRODUCTO EN ESTE MANUAL; SIN EMBARGO, ESTA INFORMACION Y LAS ILUSTRACIONES TIENEN COMO UNICO PROPOSITO LA IDENTIFICACION DEL PRODUCTO Y NO EXPRESAN NI IMPLICAN GARANTIA DE QUE LOS PRODUCTOS SEAN VENDIBLES O ADECUADOS PARA UN PROPOSITO EN PARTICULAR NI QUE SE AJUSTAN NECESARIAMENTE A LAS ILUSTRACIONES O DESCRIPCIONES. CON EXCEPCION DE LO QUE SE ESTABLECE A CONTINUACION, DAYTON NO HACE NI AUTORIZA NINGUNA GARANTIA O AFIRMACION DE HECHO, EXPRESA O IMPLICITA, QUE NO SEA ESTIPULADA EN LA "GARANTIA LIMITADA" ANTERIOR.

Consejo Técnico y Recomendaciones, Exclusiones de Responsabilidad. A pesar de las prácticas, negociaciones o usos comerciales realizados previamente, las ventas no deberán incluir el suministro de consejo técnico o asistencia o diseño del sistema. Dayton no asume ninguna obligación o responsabilidad por recomendaciones, opiniones o consejos no autorizados sobre la elección, instalación o uso de los productos.

Adaptación del Producto. Muchas jurisdicciones tienen códigos o regulaciones que rigen la venta, la construcción, la instalación y/o el uso de productos para ciertos propósitos que pueden variar con respecto a los aplicables a las zonas vecinas. Si bien se trata de que los productos Dayton cumplan con dichos códigos, no se puede garantizar su conformidad y no se puede hacer responsable por la forma en que se instale o use su producto. Antes de comprar y usar el producto, revise su aplicación y todos los códigos y regulaciones nacionales y locales aplicables y asegúrese de que el producto, la instalación y el uso los cumplan.

Ciertos aspectos de limitación de responsabilidad no se aplican a productos al consumidor; es decir (a) algunas jurisdicciones no permiten la exclusión ni limitación de daños incidentales o consecuentes, de modo que las limitaciones o exclusiones anteriores quizás no apliquen en su caso; (b) asimismo, algunas jurisdicciones no permiten limitar el plazo de una garantía implícita, por lo tanto, la limitación anterior quizás no aplique en su caso; y (c) por ley, mientras la Garantía Limitada esté vigente no podrán excluirse ni limitarse en modo alguno ninguna garantía implícita de comercialización o de idoneidad para un propósito en particular aplicables a los productos al consumidor adquiridos por éste.

Atención Oportuna. Se hará un esfuerzo de buena fe para corregir puntualmente, o hacer otros ajustes, con respecto a cualquier producto que resulte defectuoso dentro de los términos de esta garantía limitada. En el caso de que encuentre un producto defectuoso y que esté cubierto dentro de los límites de esta garantía haga el favor de escribir primero, o llame, al distribuidor a quien le compró el producto. El distribuidor le dará las instrucciones adicionales. Si no puede resolver el problema en forma satisfactoria, escriba a Dayton a la dirección a continuación, dando el nombre del distribuidor, su dirección, la fecha y el número de la factura del distribuidor y describa la naturaleza del defecto. La propiedad del artículo y el riesgo de pérdida pasan al comprador en el momento de la entrega del artículo a la compañía de transporte. Si el producto se daña durante el transporte, debe presentar su reclamo a la compañía transportista.

Fabricado para Dayton Electric Mfg. Co., 5959 W. Howard St., Niles, Illinois 60714-4014 EE.UU.

**Para Obtener Partes de Reparación en México Llame al 001-800-527-2331
en EE.UU. Llame al 1-800-323-0620**

Servicio permanente – 24 horas al día al año

Por favor proporciónenos la siguiente información:

- Número de modelo
- Número de serie (si lo tiene)
- Descripción de la parte y número que le corresponde en la lista de partes

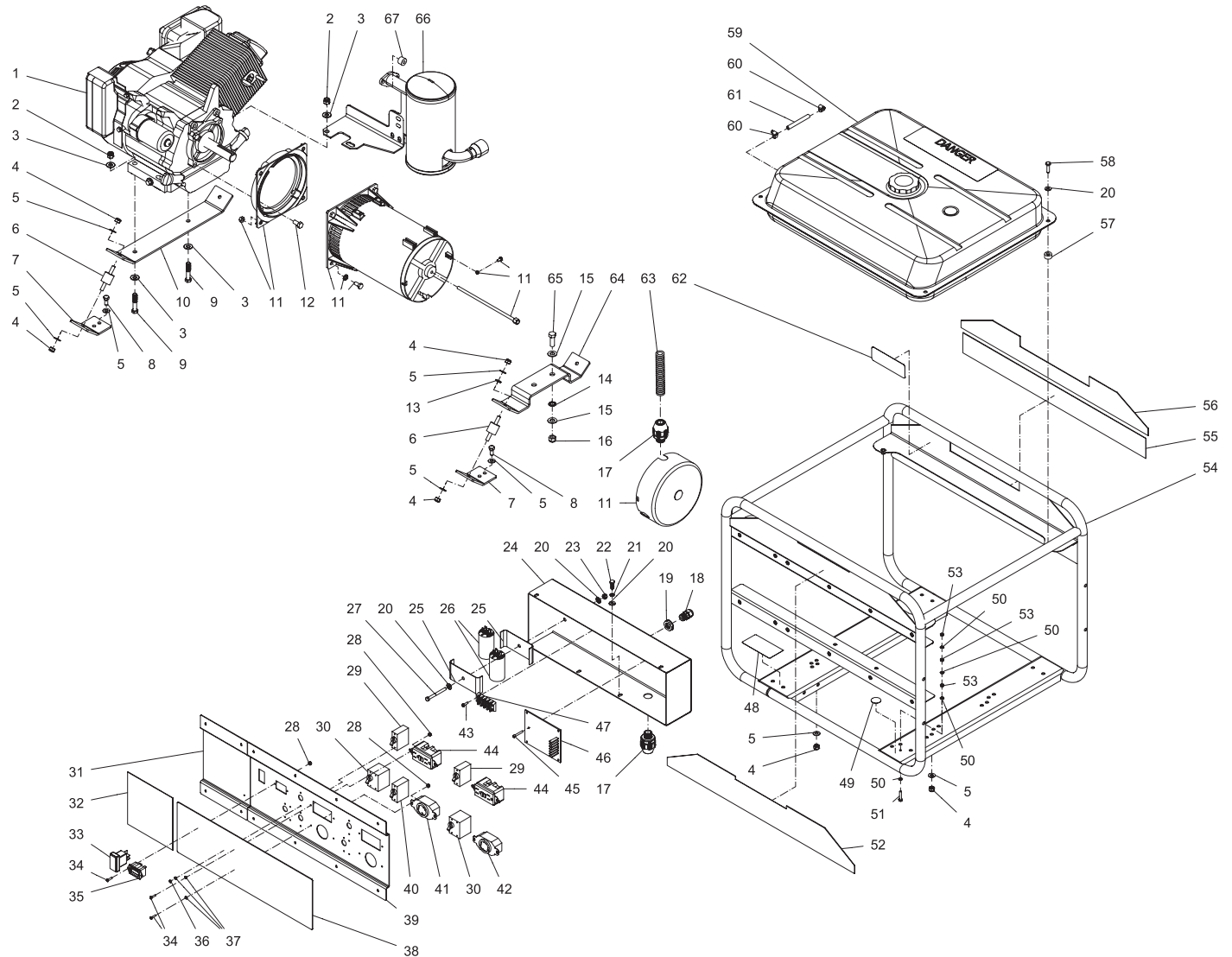


Figura 1 – Ilustración de las Partes de Reparación para [el/la/los/las] GEN-6000-0GH0 091008

Modelos 2ZRP8, 2ZRP9

Lista de Partes de Reparación para [el/la/los/las] 2ZRP8

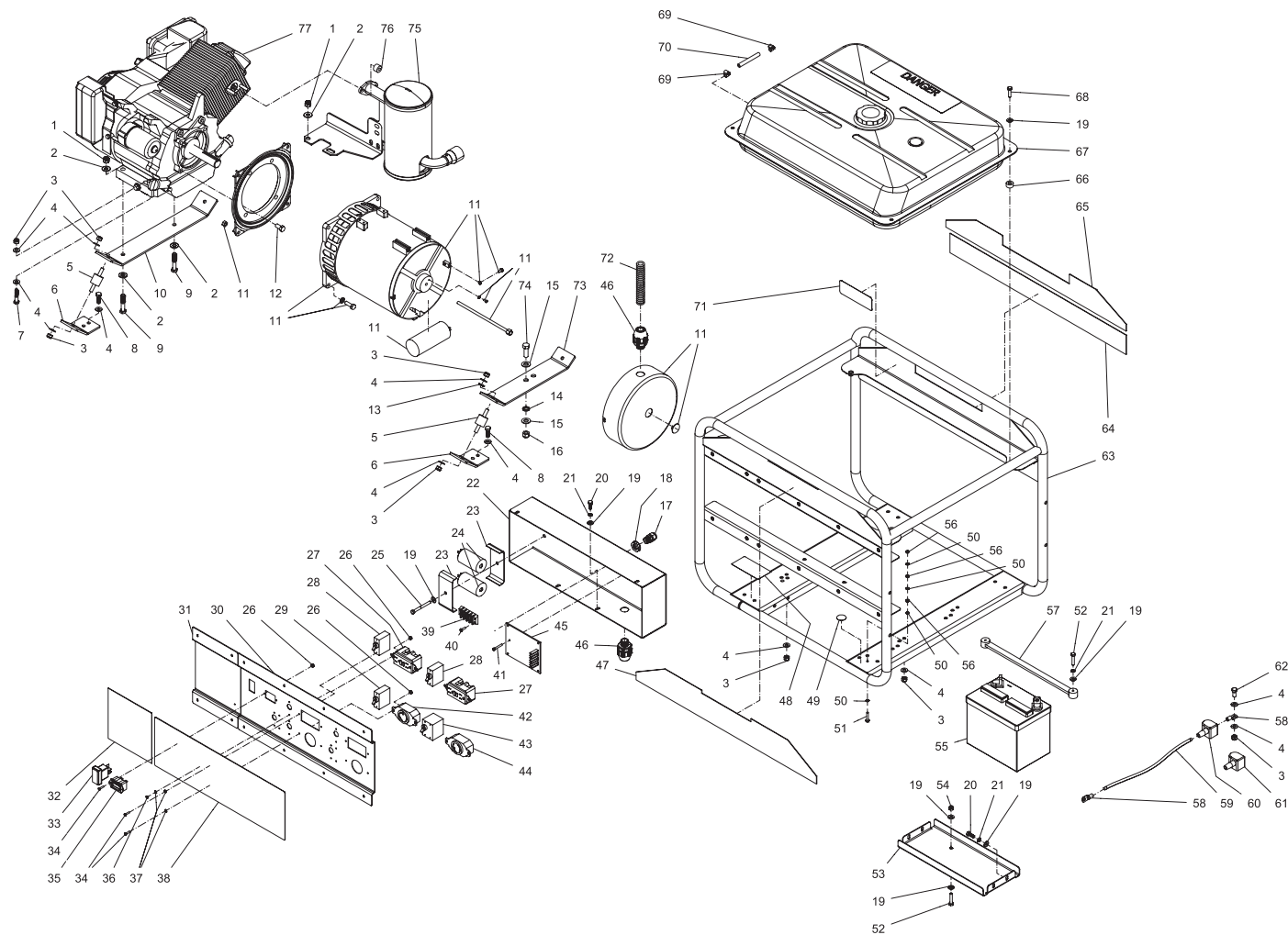
No. de Ref.	Descripción	No. de Parte	Cant.	No. de Ref.	Descripción	No. de Parte	Cant.
1	Motor/ máquina	1-0152	1		(Ver 34-9083)	N/A Sep.	1
2	Tuerca de fijación "locknut"	30-0159	3	39	Panel de Instrumentos/		
3	Arandela	28-0022	6		Tablero de control	20-1118A01	1
4	Tuerca de fijación "locknut"	30-0157	16	40	Automático/ interruptor	32-0836	2
5	Arandela	28-0003	24	41	Receptáculo	32-0832	1
6	Aislador	33-0028	4	42	Receptáculo	32-0833	1
7	Soporte de montar	5-0236A01	4	43	Tornillo	27-8942	2
8	Tornillo	27-0066	8	44	Receptáculo	32-0830	2
9	Tornillo	27-0121	3	45	Tornillo	27-0740	2
10	Plato de aislamiento	5-0243A01	1	46	La marcha lenta abajo sube	32-0896	1
11	Generador	32-0825	1	47	Tira terminal	32-0227	1
12	Tornillo	27-0116	4	48	Calcomanía—Adhesiva Plata	N/A	1
13	Lockwasher	29-0110	1	49	Calcomanía - Tierra Ilustrada		
14	Lockwasher	29-0112	1		(Ver 34-9038)	N/A Sep.	1
15	Arandela	28-0005	2	50	"Lockwasher" externos	29-1009	30
16	Tuerca de fijación "locknut"	30-0161	1	51	Tornillo	27-8807	1
17	Conducto	32-0255	2	52	Calcomanía—Generador	N/A Sep.	2
18	Retenedor de cable	32-0586	1	53	Tuerca de Maleficio "hexnut"	30-6001	3
19	Tuerca de fijación "locknut"	32-0587	1	54	Asamblea de depósito de combustibles (See 850-0008)	N/A	1
20	Arandela	28-0002	10				
21	Lockwasher	29-0006	4	55	Calcomanía—Advertencia		
22	Tornillo	27-0015	4		(Ver 34-9038)	N/A Sep.	1
23	Tuerca de fijación "locknut"	30-0155	1	56	Calcomanía—Generador	N/A Sep.	2
24	Caja Eléctrica	20-0831A01	1	57	Aislador del depósito de combustibles	14-0103	4
25	Soporte Capacitador	20-0797A01	2				
26	Capacitador	32-0846	2	58	Tornillo	27-0016	4
27	Tornillo	27-0022	1	59	Aislador del depósito de combustibles	850-0008	1
28	Tuerca de fijación "locknut"	30-0152	10				
29	Automático/ interruptor	32-0834	2	60	Gusano de Abrazadera	42-0004	2
30	Automático/ interruptor	32-0835	2	61	Manguera de Combustible		
31	Cubierta-Decal-Panel	20-0833A01	1		(Dos pie requerido)	15-0261	1
32	Calcomanía--operación (Ver 34-9038)	N/A Sep.	1	62	Calcomanía-Grainger 800#	34-1444	1
33	Interruptor de Rocket	32-0626	1	63	Conducto (Dos pie requerido)	32-0253	1
34	Tornillo	27-8881	22	64	Plato de aislamiento	5-0242A01	1
35	Metro de la hora	32-0668	1	65	Tornillo	27-0167	1
36	Tornillo	27-9574	14	66	Silenciador/ mofle	45-0085	1
37	"Lockwasher" externos	29-1013	34	67	Spacer Generador	33-0431	2
38	Calcomanía—Panel/ Tablero				Juego de Calcomanías (Inc. 32, 38, 49, 55)	34-9038	

**Para Obtener Partes de Reparación en México Llame al 001-800-527-2331
en EE.UU. Llame al 1-800-323-0620**

Servicio permanente – 24 horas al día al año

Por favor proporciónenos la siguiente información:

- Número de modelo
- Número de serie (si lo tiene)
- Descripción de la parte y número que le corresponde en la lista de partes



ESPAÑOL

Figura 2 – Ilustración de las Partes de Reparación para [el/la/los/las] GEN-7500-0GHE 090508

Modelos 2ZRP8, 2ZRP9

Lista de Partes de Reparación para [el/la/los/las] 2ZRP9

No. de Ref.	Descripción	No. de Parte	Cant.	No. de Ref.	Descripción	No. de Parte	Cant.
1	Tuerca de fijación "locknut"	30-0159	3	42	Receptáculo- L5-30	32-0832	1
2	Arandela	28-0022	6	43	Triturador de palanca	32-0837	1
3	Tuerca de fijación "locknut"	30-0157	19	44	Receptáculo- L14-30	32-0831	1
4	Arandela	28-0003	30	39	Tira terminal	32-0227	1
5	Aislador	33-0028	4	45	La Marcha Lenta Abajo Sube	32-0896	1
6	Isolator Mounting Bracket	5-0236A01	4	46	Conducto que Encaja/ Vía de accesorio	32-0255	2
7	Tornillo	27-0069	1	47	Calcomanía—Generador	34-2237	2
8	Tornillo	27-0067	8	48	Calcomanía—Adhesiva Plata	N/A	1
9	Tornillo	27-0121	3	49	Calcomanía - Tierra Ilustrada		
10	Plato de aislamiento	5-0243A01	1		(Ver 34-9038)	N/A Sep.	1
11	Tornillo	27-0121	1	50	Lockwasher	28-1009	4
11	Alternator	32-0826	1	51	Tornillo	27-8807	1
12	Tornillo	27-0116	4	52	Tornillo	27-0017	2
13	Lockwasher	29-0110	1	53	Soporte de la batería	20-0832A01	1
14	Lockwasher	29-0112	1	54	Tuerca de fijación "locknut"	30-0155	2
15	Arandela	28-0005	2	55	Batería	32-0058	1
16	Tuerca de fijación "locknut"	30-0161	1	56	Hex Nut	30-6001	3
17	Strain Relief	32-0586	1	57	Correa de la Batería	33-0430	1
18	Tuerca de fijación "locknut"	32-0587	1	61	Batería Cubierta del Cable	33-0429	1
19	Arandela	28-0002	17	58	Aro Terminal	32-0097	4
20	Tornillo	27-0015	8	59	Cable	32-0065	2
21	Lockwasher	29-0006	9	60	Batería Cubierta del Cable	33-0004	1
22	Caja Eléctrica	20-0831A01	1	62	Tornillo	27-0066	2
23	Capacitor Clamp Bracket	20-0797A01	2	63	Bastidor/ Marco Pequeño	5-0231A01	1
24	Tornillo	27-0120	2	64	Calcomanía—		
24	Capacitor	32-0846	2		Advertencia (See 34-9038)	N/A Sep.	1
25	Tornillo	27-0022	1	65	Calcomanía—Generador	34-2238	1
26	Tuerca de fijación "locknut"	30-0152	10	66	Aislador del Depósito de Combustibles	14-0103	4
27	GFCI Duplex Receptáculo	32-0830	2	67	Asamblea de Depósito De Combustibles	856-0008	1
28	Automático/ interruptor	32-0834	2	68	Tornillo	27-0016	4
29	Automático/ interruptor	32-0836	1	69	Gusano de Abrazadera	42-0004	2
30	Panel de Instrumentos/ Tablero de control	20-1118A01	1	70	Manguera de Combustible (Un pie requerido)	15-0261	1
31	Calcomanía- Tapadera	20-0833A01	1	71	Calcomanía- Grainger 800#	34-1444	1
32	Calcomanía--operación (See 34-9038)	N/A Sep.	1	72	Conducto Flexión *(Two Feet Required)	32-0253	1
33	Interruptor de eje de balancín	32-0626	1	73	Alternador Plato	5-0244A01	1
34	Tornillo	27-8881	22	74	Tornillo	27-0167	1
35	Metro de la hora	32-0668	1	75	Silenciador/ mofle	45-0085	1
37	Metro de voltio	32-0838	1	76	Espaciador	33-0431	2
36	Tornillo	27-9574	10	77	Motor/ máquina	1-0153	1
37	Lockwasher	29-1013	30		Juego de Calcomanías (Inc. 33, 40, 51, 66)	34-9038	
38	Calcomanía—Panel/ Tablero (Ver 34-9083)	N/A Sep.	1				
40	Tornillo	27-8942	2				
41	Tornillo	27-0740	2				

**Para Obtener Partes de Reparación en México Llame al 001-800-527-2331
en EE.UU. Llame al 1-800-323-0620**

Servicio permanente – 24 horas al día al año

Por favor proporciónenos la siguiente información:

- Número de modelo
- Número de serie (si lo tiene)
- Descripción de la parte y número que le corresponde en la lista de partes

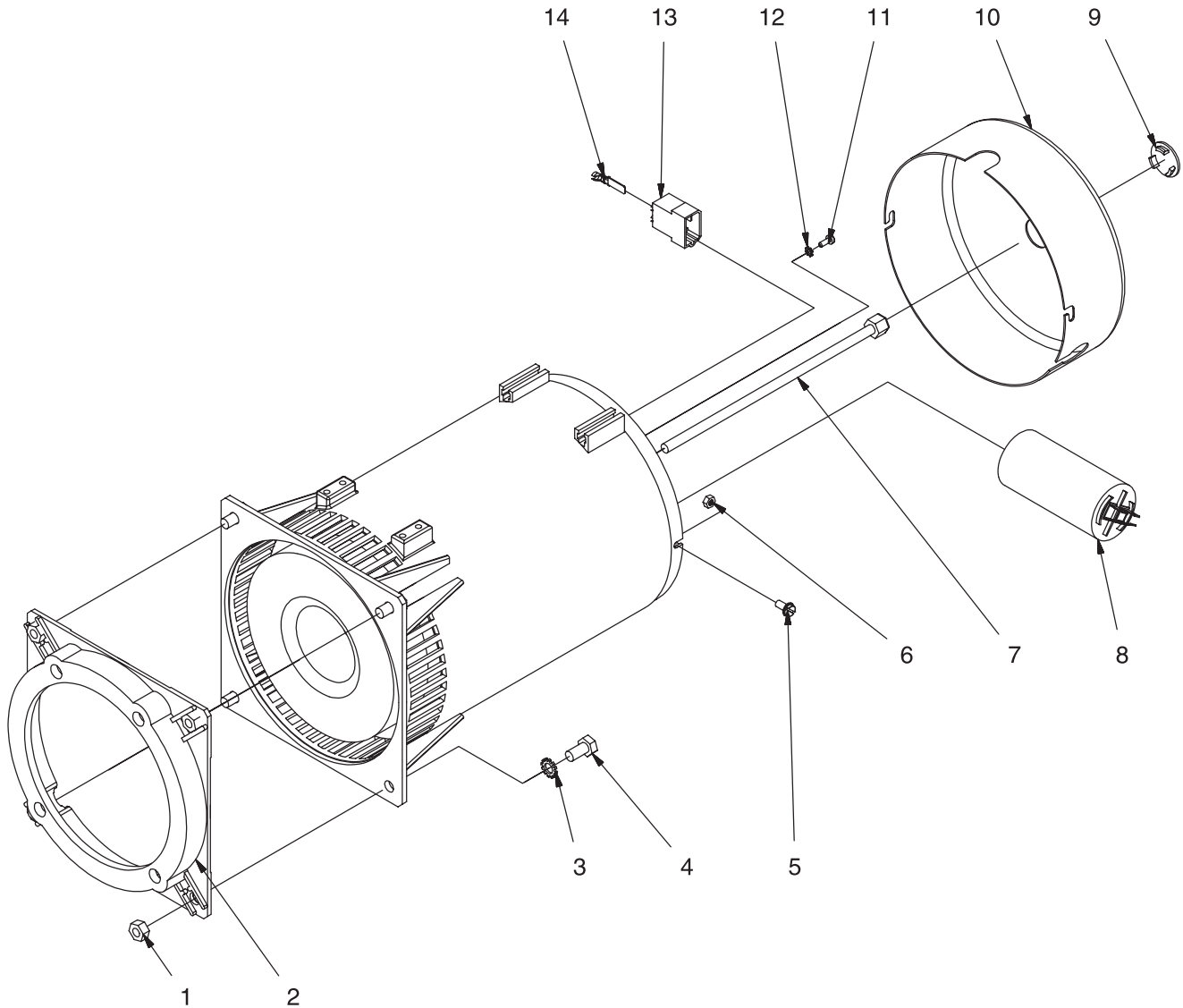


Figura 3 – Ilustración de las Partes de Reparación para [el/la/los/las] 32-0825 082605

Modelos 2ZRP8, 2ZRP9

Lista de Partes de Reparación para [el/la/los/las] 2ZRP8 Alternador

No. de Ref.	Descripción	No. de Parte	Cant.	No. de Ref.	Descripción	No. de Parte	Cant.
1	Tuerca	30-3007	4	9	Tapón de Alternador	52-0076	1
2	Reborde de Alternador	52-0071	1	10	Tapa de punta del Generador	52-0073	1
3	Lockwasher	29-0110	4	11	Tornillo que se golpea	27-9586	1
4	Tornillo	27-8042	4	12	"Lockwasher" externo	29-1013	1
5	Tornillo	27-9593	2	13	Aro Terminal	52-0077	1
6	Tuerca de maleficio "hexnut"	30-6001	2	14	Espacio Terminal	32-0878	4
7	Tornillo	27-9585	1		Asamblea completa (Inc. 1-14)	32-0825	
8	Capacitador	32-0874	1				

**Para Obtener Partes de Reparación en México Llame al 001-800-527-2331
en EE.UU. Llame al 1-800-323-0620**

Servicio permanente – 24 horas al día al año

Por favor proporciónenos la siguiente información:

- Número de modelo
- Número de serie (si lo tiene)
- Descripción de la parte y número que le corresponde en la lista de partes

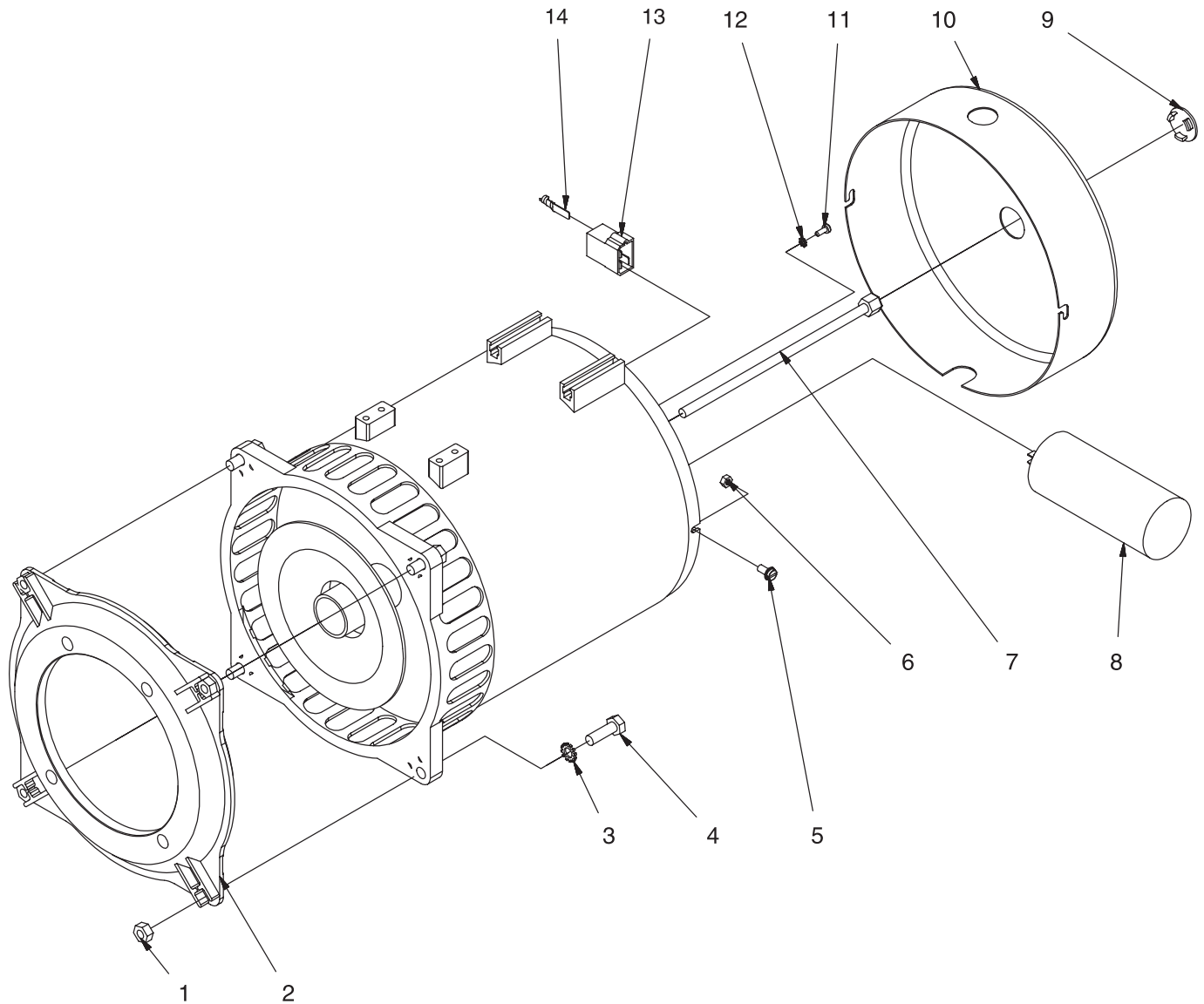


Figura 4 – Ilustración de las Partes de Reparación para [el/la/los/las] 32-0826 082605

Modelos 2ZRP8, 2ZRP9

Lista de Partes de Reparación para [el/la/los/las] 2ZRP9 Alternador

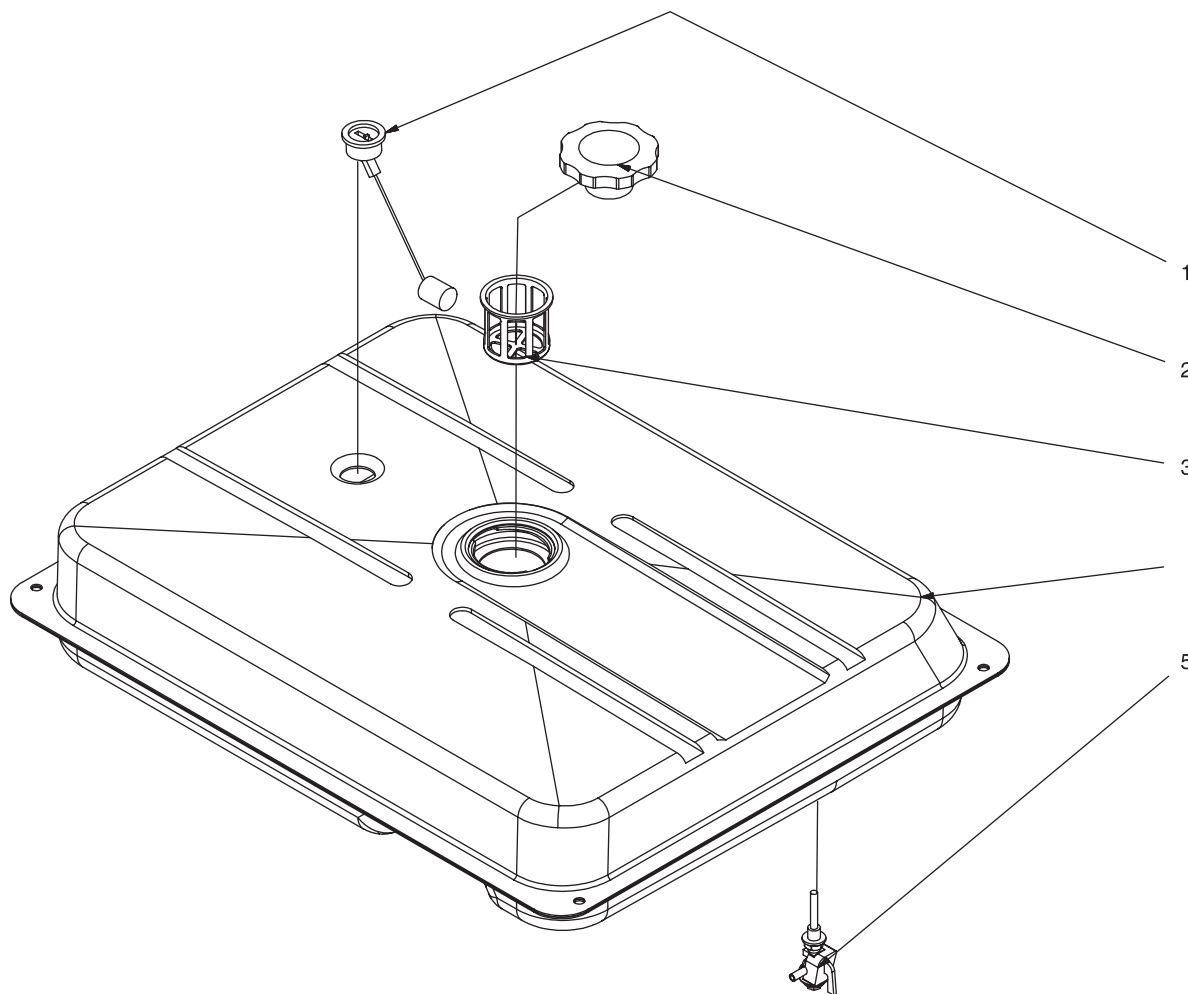
No. de Ref.	Descripción	No. de Parte	Cant.	No. de Ref.	Descripción	No. de Parte	Cant.
1	Tuerca	30-3007	4	9	Tapón de Alternador	52-0877	1
2	Reborde de Alternador	52-0072	1	10	Tapa de Punta del Generador	52-0074	1
3	Lockwasher	29-0110	4	11	Tornillo Que se Golpea	27-9586	1
4	Tornillo	27-8062	4	12	"Lockwasher" externo	29-1013	1
5	Tornillo	27-9593	2	13	Aro Terminal	52-0077	1
6	Tuerca de maleficio "hexnut"	30-6001	2	14	Espacio Terminal	32-0878	4
7	Tornillo	27-9584	1		Asamblea completa (Inc. 1-14)	32-0826	
8	Capacitador	32-0875	1				

**Para Obtener Partes de Reparación en México Llame al 001-800-527-2331
en EE.UU. Llame al 1-800-323-0620**

Servicio permanente – 24 horas al día al año

Por favor proporciónenos la siguiente información:

- Número de modelo
- Número de serie (si lo tiene)
- Descripción de la parte y número que le corresponde en la lista de partes



E
S
P
A
Ñ
O
L

Figura 5 – Ilustración de las Partes de Reparación para [el/la/los/las] 856-0008

Modelos 2ZRP8, 2ZRP9

Lista de Partes de Reparación para [el/la/los/las] Depósito de combustibles

No. de Ref.	Descripción	No. de Parte	Cant.	No. de Ref.	Descripción	No. de Parte	Cant.
1	Indicador de combustible	12-0178	1	4	Depósito de combustibles	12-0176	1
2	Tapón de combustible	12-0177	1	5	Válvula apagador de combustible	19-0553	1
3	Filtro de combustible	19-0554	1		Asamblea completa (Inc. 1-5)	856-0008	

Para Obtener Partes de Reparación en México Llame al 001-800-527-2331 en EE.UU. Llame al 1-800-323-0620

Servicio permanente – 24 horas al día al año

Por favor proporcionenos la siguiente información:

- Número de modelo
- Número de serie (si lo tiene)
- Descripción de la parte y número que le corresponde en la lista de partes

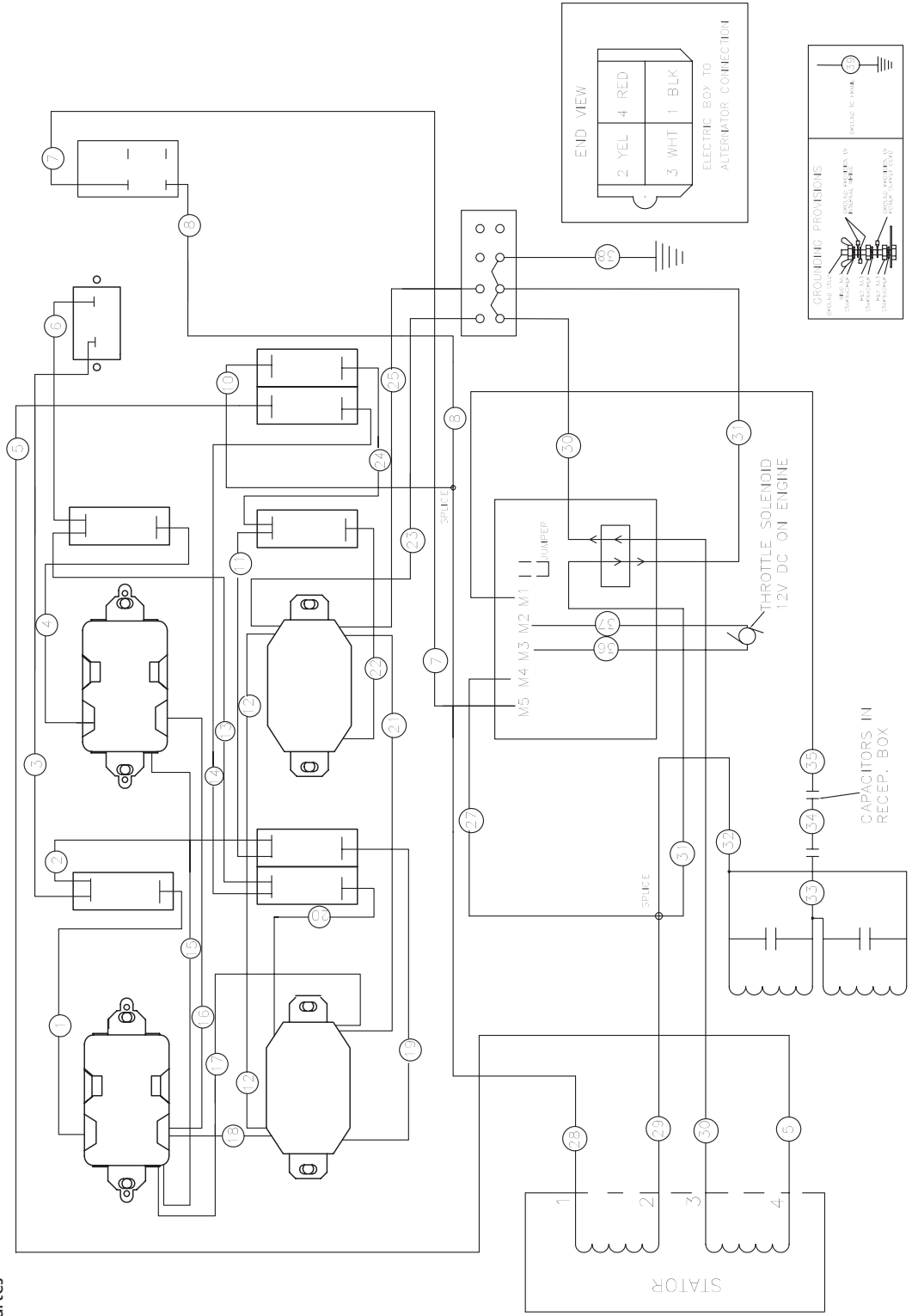


Figura 6 – Ilustración de las Partes de Reparación para [el/la/los/las] 2ZRP8 wire Diagram

Veillez lire et conserver ces instructions. Lire attentivement avant de commencer à assembler, installer, faire fonctionner ou entretenir l'appareil décrit. Protégez-vous et les autres en observant toutes les informations sur la sécurité. Négliger d'appliquer ces instructions peut résulter en des blessures corporelles et/ou en des dommages matériels ! Conserver ces instructions pour références ultérieures.

Generator Dayton®

Description

Ce groupe électrogène Dayton a été conçu avec le plus haut niveau de précision et de fiabilité. Chaque composant a été rigoureusement testé par nos techniciens afin d'assurer la qualité, la durabilité et la performance de ce groupe électrogène.



Déballage

Lors du déballage de cet appareil, s'assurer qu'il n'y a pas signes de dommages évidents ou cachés suite au transport. En cas de dommage, remplir immédiatement une réclamation avec la compagnie de transport. S'assurer que toutes les pièces endommagées sont remplacées et que les problèmes mécaniques et électriques sont corrigés avant l'utilisation de l'appareil. Outil requis : Tournevis Philips #2.

Specifications

Model	2ZRP8.....2ZRP9
Moteur	Honda.....Honda
Puissance nominale en Watts (AC)	5000.....6500
Puissance maximum en Watts (AC)	6000.....7500
Tension nominale	120V/240.... 120V/240
Ampérage Maximum.....	35.0/25.0.....62.5/31.3

Ampérage Continu	41.7/20.8.....54.2/27.1
Fréquence	60.....60
Capacité du réservoir de carburant	7.3 gal.....7.3 gal.
Heures de marche par réservoir de carburant	8.0 hrs.....6.9 hrs
Dimensions (in)	29L x 24.4W x 22.5H

Consignes Générales de Sécurité

Lire les consignes d'utilisation. Toujours se familiariser avec toutes les consignes et tous les avertissements avant d'utiliser ce groupe électrogène.

CONSEILS DE SÉCURITÉ IMPORTANTS

AVERTISSEMENT Afin de réduire le risque de blessures, lire ce manuel de l'opérateur dans son intégralité avant utilisation de l'appareil. Lors de l'utilisation de cet appareil, les précautions de base suivantes doivent toujours être observées:

1. Lire toutes les instructions avant d'utiliser ce produit.
2. Ne pas permettre à des enfants ou à des personnes non qualifiées de se servir de ce groupe électrogène.
3. Ne pas utiliser le groupe électrogène si vous êtes fatigués, en état d'ébriété ou sous l'influence de médicaments ou drogues. Rester vigilant et attentif à vos gestes.
4. Suivre les instructions d'entretien contenues dans ce manuel.
5. Lors du démarrage du groupe électrogène avec le lanceur à rappel, il faut s'assurer que rien ne risque d'être cogné par la main ou le bras de l'utilisateur.
6. S'assurer que l'interrupteur des outils électriques est en position d'arrêt (OFF) avant de les brancher sur le groupe électrogène.
7. Empêcher l'accès à la zone entourant l'appareil.
8. S'assurer que chaque personne utilisant ce groupe électrogène a reçu une formation adéquate pour le faire fonctionner en toute sécurité. 10. Always be sure that the generator is on secure footing so that it cannot slide or shift around, endangering workers.
9. Ne pas faire fonctionner le groupe

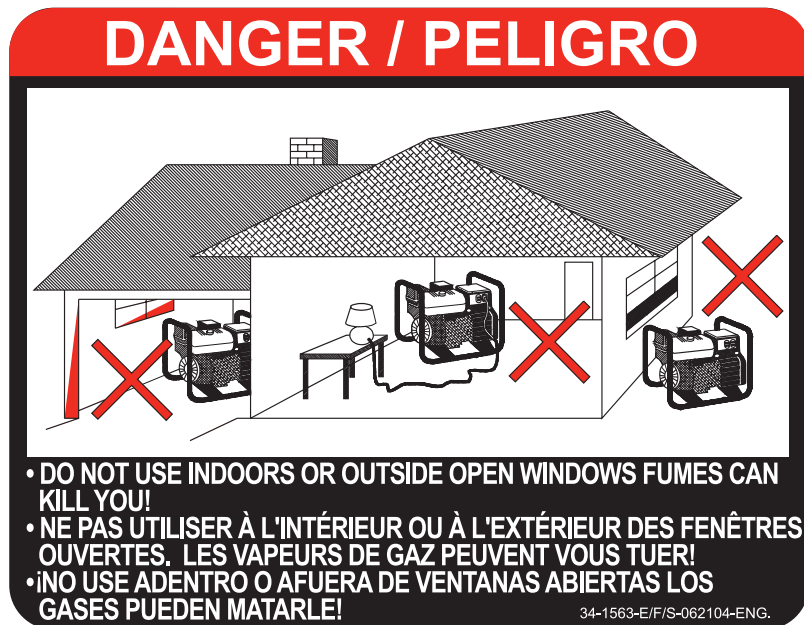
AVERTISSEMENT
Ce produit contient un ou plusieurs produits chimiques qui sont connus par l'état de Californie comme étant la cause de cancer, de défauts de naissance et d'autres problèmes reproductifs.

AVERTISSEMENT
Le gaz d'échappement du moteur de cet appareil contient des produits chimiques qui sont connus par l'état de Californie comme étant la cause de cancer, de défauts de naissance et d'autres problèmes reproductifs.

Generator Dayton®

électrogène ou tout outil électrique dans un endroit où de l'eau ou des matières semblables entraînent un danger électrique pour l'utilisateur. Ne pas l'utiliser sur des surfaces mouillées, sous la pluie ou sous la neige.

10. S'assurer toujours que le groupe électrogène est bien stable et ne risque en aucun cas de glisser ou de se déplacer, mettant ainsi le personnel en danger.
11. Eviter de toucher le collecteur, le silencieux d'échappement ou le(s) cylindre(s) chaud(s). Se tenir à l'écart de toutes les pièces tournantes.
12. Sauf si l'outil ou l'appareil utilisé est à double isolation, il doit être mis à la terre par une prise correctement mise à la terre. (Voir Préparer le groupe électrogène, Instructions de mise à la terre). Les outils et appareils munis de prises à 3 broches doivent obligatoirement être branchés sur des rallonges et des prises murales à 3 trous. Avant d'utiliser tout appareil électrique, s'assurer qu'il est en bon état.
13. Pour faire l'essai d'un disjoncteur différentiel et assurer sa fiabilité, suivre les instructions de ce manuel.
14. Attention si vous utilisez cet équipement dans des espaces confinés. Les espaces confinés, sans ventilation d'air frais suffisante, risquent de contenir des gaz dangereux. Faire fonctionner un moteur à essence dans de tels cas peut provoquer une explosion et/ou une asphyxie mortelle.
15. Si votre groupe électrogène est équipé d'un chariot de transport, s'assurer que l'appareil est bien



stable pendant l'utilisation et le transport afin d'éviter tout mouvement inattendu ou roulement.

16. Faire extrêmement attention en soulevant ce groupe électrogène. Ne pas utiliser les poignées de chariot pour soulever ce groupe électrogène, utiliser uniquement la barre de levage conçue à cet effet. Ce groupe électrogène est lourd et des moyens de levage appropriés doivent être employés.

CONSERVER CES INSTRUCTIONS OXYDE DE CARBONE – GAZ TOXIQUE

Ne jamais se servir d'un groupe électrogène dans des espaces fermés ou partiellement fermés. Les groupes électrogènes peuvent produire de hauts niveaux d'oxyde de carbone très rapidement. Pendant l'utilisation d'un groupe électrogène portable, se rappeler que vous ne pouvez pas sentir ou voir l'oxyde de carbone.

Même si vous ne sentez pas les gaz d'échappement, vous pouvez tout de même être exposé à l'oxyde de carbone.

Si vous commencez à vous sentir malade, étourdi, ou faible pendant l'utilisation d'un groupe électrogène, sortez au grand air immédiatement. NE PAS ATTENDRE. L'oxyde de carbone provenant des groupes électrogènes peut rapidement être la cause d'une incapacité complète ou de mort.

En cas des symptômes sérieux, trouver de l'aide médicale immédiatement. Informer le personnel médical qu'une intoxication à l'oxyde de carbone est possible. Si vos symptômes sont apparus à l'intérieur, ne pas retourner dans le bâtiment avant que les sapeurs pompiers s'assurent que le bâtiment est sans danger.

NE JAMAIS utiliser le groupe électrogène dans une atmosphère explosible, près de matériaux combustibles ou dans un endroit où

Modèles 2ZRP8, 2ZRP9

la ventilation n'est pas suffisante pour évacuer les gaz d'échappement. Les gaz d'échappement peuvent être la cause de blessures graves ou de mort.

NE JAMAIS se servir d'un groupe électrogène à l'intérieur, que ce soit dans des maisons, garages, sous-sols, vides de comble ou vides sanitaire, et autres espaces fermés ou partiellement fermés, même avec ventilation. Le fait d'ouvrir des fenêtres et des portes ou d'utiliser des ventilateurs n'empêchera pas l'accumulation d'oxyde de carbone dans la maison.

Suivre les instructions qui accompagnent votre groupe électrogène. Placer l'appareil dehors et loin des portes, fenêtres, et conduits d'aération qui pourraient permettre au gaz d'oxyde de carbone d'entrer à l'intérieur.

Courez SEULEMENT le générateur dehors et loin des entrées d'air.

Ne courez jamais le générateur à l'intérieur des maisons, des garages, des hangars, ou d'autres espaces de semi-finale-enclosed. Ces espaces peuvent emprisonner les gaz toxiques MÊME SI vous courez un ventilateur ou ouvrez des portes et des fenêtres.

Si vous commencez à vous sentir malade, étourdi, ou faible tout en utilisant le groupe électrogène, a fermé si au loin et obtient l'air frais TOUT DE SUITE. Voir le docteur. Vous pouvez avoir l'empoisonnement d'oxyde de carbone.

Installer des alarmes d'oxyde de carbone à piles ou des alarmes d'oxyde de carbone avec batterie de secours qui se branche dans votre maison, selon les instructions d'installation du fabricant. Les alarmes d'oxyde de carbone doivent être conforme aux exigences des dernières normes de sécurité pour les alarmes d'oxyde de carbone. (UL 2034,

IAS 6-96, ou CSA 6.19.01).

Tester votre alarme d'oxyde de carbone fréquemment et remplacer les piles à plat.

CONSIGNES DE SÉCURITÉ LORS DU RAVITAILLEMENT EN CARBURANT
L'essence est extrêmement inflammable et ses vapeurs peuvent exploser si on l'enflamme.

Respecter tous les règlements de sécurité concernant la manipulation sans danger de carburant. Manier le carburant dans des récipients de sécurité. Si le récipient n'a pas de bec, se servir d'un entonnoir.

Ne pas trop remplir le réservoir de carburant, laisser toujours de la place pour que le carburant se dilate.

Ne jamais remplir le réservoir de carburant lorsque le moteur tourne. Arrêter le groupe électrogène et lui permettre de refroidir avant de le ravitailler en carburant. L'essence renversée sur les parties chaudes du moteur pourrait s'enflammer.

Ne remplir le réservoir de carburant que sur une surface nue. Lors du ravitaillement en carburant, écarter le réservoir de toute source de chaleur, d'étincelles ou de flammes nues. Nettoyer soigneusement toute essence renversée avant de démarrer le moteur.

Remplir toujours le réservoir de carburant dans un endroit avec une bonne ventilation pour éviter d'inhaler des vapeurs dangereuses.

N'entreposer JAMAIS le carburant de votre groupe électrogène dans la maison. L'essence, le propane, le kérosène, et autres liquides inflammables doivent être entreposés en dehors des espaces habités dans des récipients de sécurité (pas en verre) clairement étiquetés. Ne pas les

entreposer près d'un appareil alimenté en combustible, tel qu'un chauffe-eau au gaz naturel dans un garage. Si du carburant est renversé ou si le récipient n'est pas fermé correctement, des vapeurs invisibles provenant du carburant peuvent voyager le long du sol et peuvent être enflammées par la veilleuse de l'appareil ou par des arcs des interrupteurs électriques dans l'appareil.

PROTECTION PAR DISJONCTEUR DIFFÉRENTIEL Ces groupe électrogènes sont équipées de deux prises de courant double de 120V avec disjoncteur différentiel (GFCI) pour offrir de la protection contre les risques de chocs électriques causés par des accessoires défectueux tels que des outils, des cordons ou des câbles.

Le disjoncteur différentiel est un coupe-circuit spécial qui, en cas de courant parasite allant à la terre, coupe le courant venant du secteur ou du groupe électrogène.

Un disjoncteur différentiel (GFCI) ne peut être utilisé qu'avec les groupe électrogènes qui ont le fil neutre relié au châssis en interne et le châssis lui-même correctement mis à la terre. Un disjoncteur différentiel (GFCI) ne marchera pas avec les groupes électrogènes qui n'ont pas le fil neutre relié au châssis en interne, ou avec les groupes électrogènes qui n'ont pas été relié à la terre correctement. Tous les groupes électrogènes Mi-T-M ont des fils de mise à la terre interne. Un disjoncteur différentiel (GFCI) ne fonctionnera pas si l'appareil n'est pas relié à la terre correctement.

Un disjoncteur différentiel (GFCI) peut être exigé par les règlements de OSHA (loi sur la santé et la sécurité du travail), le Code Electrique Nationale et/ou les codes locaux et fédéraux lors de

Generator Dayton®

l'utilisation d'un groupe électrogène.

Pour une meilleure protection contre les risques de chocs électriques par de l'équipement défectueux branché sur des prises à verrouillage par rotation, il faut considérer la possibilité d'utiliser un disjoncteur différentiel pour chacune de ces prises également.

Les disjoncteurs différentiels (GFCI) et les cordons amovibles et câbles protégés par des disjoncteurs différentiels peuvent être achetés dans des magasins locaux de matériel électrique.

⚠ AVERTISSEMENT *Le disjoncteur différentiel risque de ne pas fonctionner si le groupe électrogène n'est pas correctement relié à la terre. Respecter la méthode correcte de raccordement à la terre qui est spécifiée dans la partie intitulée "Instructions de mise à la terre."*

⚠ AVERTISSEMENT *Seules les prises de courant double de 120V sont protégées par le disjoncteur différentiel.*

RISQUES ÉLECTRIQUES Ce produit doit être mis à la terre. En cas de mauvais fonctionnement ou de panne, la mise à la terre fournit un chemin de moindre résistance au courant électrique, réduisant ainsi les risques de choc électrique.

⚠ DANGER *Un branchement incorrect du conducteur de mise à la terre de l'équipement peut entraîner des risques d'électrocution. Vérifier avec un dépanneur ou un électricien qualifié en cas de doutes concernant la mise à la terre.*

Ce groupe électrogène est équipé d'une borne de terre pour votre protection. Finaliser toujours la liaison à la terre du groupe électrogène jusqu'à une prise de terre externe comme l'explique les instructions dans la section intitulée "Instructions de mise à la terre" dans la

partie Préparation de ce manuel.

Le groupe électrogène est une source potentielle de choc électrique si il n'est pas gardé au sec. Maintenir le groupe électrogène au sec et ne pas l'utiliser par temps de pluie ou dans des conditions humides. Pour protéger le groupe électrogène contre l'humidité, s'en servir sur une surface sèche et sous une structure ouverte tel qu'un auvent. Ne jamais toucher le groupe électrogène avec les mains mouillées.

Risque de choc électrique en cas d'utilisation du groupe électrogène avec un disjoncteur différentiel (GFCI) défectueux. Tester le disjoncteur différentiel (GFCI) avant chaque utilisation. Voir les instructions d'utilisation pour plus d'information. Si le disjoncteur différentiel (GFCI) s'avère défectueux, NE PAS utiliser votre groupe électrogène. Contacter votre concessionnaire Mi-T-M.

Brancher les appareils directement dans le groupe électrogène. Ou, se servir d'une rallonge renforcée et pour usage extérieur certifié (en watts ou en ampères) pour au moins la somme des consommations de tous les appareils branchés dessus. Vérifier que toute la rallonge est en bon état, sans entailles ou déchirures et que la fiche a bien trois broches, et surtout une lame de terre.

Ne JAMAIS essayer d'alimenter les circuits de la maison en branchant le groupe électrogène à une prise murale, une pratique connue sous le nom de "back feeding/ alimentation en retour". Ceci est une pratique extrêmement dangereuse qui présente un risque d'électrocution aux ouvriers d'entretien du réseau public et aux voisins desservis par le même transformateur de réseau. Ceci court-circuite également certains des dispositifs de protection intégrés dans

l'installation électrique de la maison.

Si vous devez brancher le groupe électrogène au circuit d'alimentation électrique de la maison pour amener du courant aux appareils, faire installer l'équipement approprié par un électricien qualifié conformément aux codes électriques locaux. Ou, vérifier avec votre compagnie d'électricité pour voir si un commutateur de transfert inverseur de source peut être installé.

Pour les coupures de courant, des groupes électrogènes stationnaires en installation permanente sont mieux adaptés pour fournir une source d'énergie de secours pour votre maison. Même un groupe électrogène portable qui est branché correctement peut devenir surchargé. Les éléments constitutifs du groupe électrogène peuvent alors surchauffer ou être sous trop de pression avec la conséquence possible de défaillance du groupe électrogène.

Installation

MONTAGE POUR LES ROUES ET LES POIGNEES:

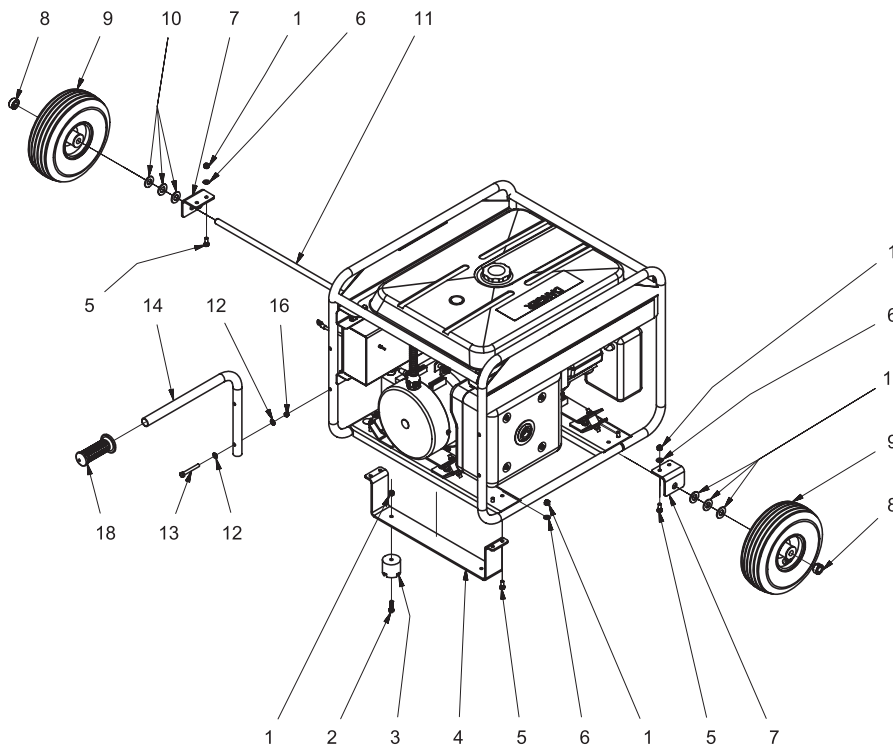
Utiliser les pièces suivantes pour l'installation: Coussinet isolant (3), Boulons (2), Contre-écrou (1), Ensemble support de fixation (4), Boulons (5), Rondelles (6), Collier/Arbre (8), Roues (9), Rondelles (10), Support de l'axe (7), Rondelles (12), Axe (11), Boulons (13), Assemblage Poignée (14), Contre-écrou (15).

1. Surélever le groupe électrogène de la surface de travail afin d'obtenir le jeu nécessaire pour monter le kit des roues sur l'appareil.

Note: *S'assurer que le groupe électrogène est stable et en position sûr avant d'installer le kit des roues.*

2. Monter les coussinets isolants (3) sur

Modèles 2ZRP8, 2ZRP9



- l'ensemble support de fixation (4) en utilisant deux contre-écrous (1) et deux boulons (2), bien serrer les boulons.
- En utilisant quatre contre-écrous (1), quatre rondelles (6), et quatre boulons (5) monter l'ensemble support de fixation (4) sur le côté alternateur du groupe électrogène. Bien serrer tous les boulons à l'intérieur de la barre.
 - Fixer les supports de l'axe (7) au côté moteur du groupe électrogène en utilisant quatre boulons (5), quatre rondelles (6) et quatre contre-écrous (1). Bien serrer tous les boulons.
 - En utilisant deux colliers (8), six rondelles (10) et l'axe (11), monter les deux roues (9) sur le groupe

électrogène. S'assurer que l'axe est bien centré avec le groupe électrogène.

- Attacher l'assemblage des poignées (14 & 15) au cadre en utilisant quatre boulons (13), huit rondelles (12) et quatre contre-écrous (16), Serrer les boulons.

INSTRUCTIONS DE MISE À LA TERRE

Ce produit doit être mis à la terre. En cas de mauvais fonctionnement ou de panne, la mise à la terre fournit un chemin de moindre résistance au courant électrique, réduisant ainsi les risques de choc électrique.

⚠ DANGER *Un branchement incorrect du conducteur de mise à la terre de l'équipement peut entraîner des risques d'électrocution. Vérifier avec un*

dépanneur ou un électricien qualifié en cas de doutes concernant la mise à la terre.

Il faut obligatoirement utiliser la borne de terre et son écrou papillon pour connecter le châssis du groupe électrogène à une prise de terre adéquate. Le raccordement à la terre devra être effectué avec du fil Numéro 8. Mettre la cosse du fil de terre entre les deux rondelles éventail et l'écrou papillon complètement. Relier solidement l'autre extrémité du fil de terre à une prise de terre adéquate.

Le code national électrique contient plusieurs exemples pratiques de création d'une prise de terre. Les exemples ci-dessous illustrent quelques unes des méthodes de création d'une bonne prise de terre.

Une conduite d'eau souterraine métallique en contact direct avec la terre sur au moins 10 pieds (3 mètres) peut être utilisée comme terre. Si une conduite d'eau n'est pas disponible, on pourra utiliser une tige ou un tuyau de 8 pieds (2m50) de long. Dans le cas d'un tuyau, ce dernier devra avoir un diamètre d'au moins 3/4 de pouce avec une surface extérieure anticorrosion. Dans le cas d'une tige en fer ou en acier, le diamètre minimal sera de 5/8 pouce; dans le cas d'une tige en métal non ferreux, cette dernière devra avoir un diamètre minimal de 1/2 pouce et son métal devra figurer sur la liste des métaux agréés pour la mise à la terre. Enfoncer le tuyau ou la tige dans le sol jusqu'à une profondeur de 8 pieds (2m50). Si l'on rencontre de la roche à moins de 4 pieds (1m25), enterrer le tuyau ou la tige dans une tranchée. Tous les outils électriques et les appareils raccordés à ce groupe

Generator Dayton®

électrogène devront obligatoirement soit être mis à la terre au moyen d'un fil de terre, soit être à double isolation.

Il est recommandé de:

1. D'utiliser des appareils électriques munis de cordons d'alimentation à 3 broches.
2. D'utiliser une rallonge munie d'une prise à 3 trous et d'une fiche à 3 broches à ses extrémités opposées afin d'assurer la continuité de la ligne de terre entre le groupe électrogène et l'appareil.

Nous recommandons fortement de vérifier et de respecter la bonne application de toutes les réglementations fédérales, d'état et locales relatives aux spécifications de mise à la terre.

COMMUTATEUR DE TRANSFERT INVERSEUR DE SOURCE

Si le groupe électrogène est destiné à être utilisé en secours, il doit obligatoirement y avoir un commutateur de transfert inverseur de source entre le réseau électrique principal et le groupe électrogène. Ce commutateur non seulement empêche le courant de ce réseau de parvenir au groupe électrogène, mais il empêche aussi le groupe électrogène d'alimenter les lignes de la compagnie d'électricité. Ceci afin de protéger tout réparateur effectuant une intervention sur une ligne endommagée.

CETTE INSTALLATION DOIT ÊTRE EFFECTUÉE par un ÉLECTRICIEN LICENCIÉ EN RESPECTANT OBLIGATOIREMENT TOUTS LES CODES LOCAUX.

HUILE DU MOTEUR

Utiliser de l'huile de viscosité appropriée pour la plage de température ambiante prévue pendant la période entre deux vidanges.

Utiliser une huile détergente de haute

qualité avec des classifications API de SJ ou plus élevée.

Vérifier le niveau d'huile avant chaque utilisation et faire l'appoint selon le besoin.

ATTENTION **LE CARTER DE CE MOTEUR N'EST PAS REMPLI D'HUILE à L'USINE, IL FAUT DONC PRENDRE SOIN DE LE REMPLIR AVANT DE FAIRE FONCTIONNER LE MOTEUR.**

NOTE: Ces moteurs sont équipés d'un système d'arrêt en cas de niveau d'huile bas afin de protéger le moteur. Si le moteur ne démarre pas, vérifier le niveau d'huile dans le carter du moteur.

Avant opération

CARBURANT

Pour remplir d'huile:

1. Mettre le moteur à l'horizontal pour assurer une vérification précise et éviter de trop le remplir.
2. Dévisser la jauge de niveau d'huile et l'essuyer (Voir Fig.1). La remettre en place dans l'orifice de remplissage de la jauge d'huile. Sortir la jauge d'huile et vérifier le niveau d'huile.
3. Le niveau d'huile doit être entre les marques pleines et basses de la jauge de niveau d'huile (voir Fig. 2).

NOTE: Il faut s'assurer que le moteur est de niveau pendant la vérification du niveau d'huile.

4. Faire l'appoint d'huile, selon le besoin, par l'orifice de remplissage de la jauge d'huile.
5. Remettre la jauge en place et la visser fermement.
6. Essuyer toute huile renversée.

AVERTISSEMENT **CARBURANT EXPLOSIF!!**
L'ESSENCE EST EXTRÊMEMENT INFLAMMABLE ET SES VAPEURS PEUVENT EXPLOSER SI ELLES S'ENFLAMMENT.

IL NE FAUT ENTREPOSER L'ESSENCE QUE DANS DES CONTENEURS HOMOLOGUÉS, DANS DES BÂTIMENTS BIEN AÉRÉS, NON OCCUPÉS ET à L'ÉCART DES ÉTINCELLES ET DES FLAMMES.

Ne pas remplir le réservoir de carburant lorsque le moteur est chaud ou en marche car l'essence renversée peut s'enflammer si elle entre en contact avec les parties chaudes ou les étincelles provenant de l'allumage. Ne pas mettre le moteur en marche près de carburant qui a été renversé.

NE PAS METTRE LE MOTEUR EN MARCHÉ PRÈS DE CARBURANT QUI A ÉTÉ RENVERSÉ. Ne jamais utiliser d'essence comme produit de nettoyage.

AVERTISSEMENT **Ne pas trop remplir le réservoir de carburant, laisser toujours de la place pour que le carburant se dilate.**

RECOMMANDATIONS GÉNÉRALES

- Acheter de l'essence en petite quantité et l'entreposer dans des conteneurs propres et homologués.
- Pour minimiser les dépôts de gomme dans le système de carburant et pour assurer un démarrage facile, ne pas utiliser d'essence restant de la saison précédente.
- Ne pas ajouter d'huile à l'essence.

TYPE D'ESSENCE

- Pour obtenir les meilleurs résultats, utiliser de l'essence sans plomb, propre, fraîche, avec un indice d'octane à la pompe d'au moins 87.
- L'essence sans plomb est recommandée car elle laisse moins de dépôts dans la chambre de combustion.

MÉLANGES D'ESSENCE ET D'ALCOOL:

L'essence-alcool (jusqu'à 10% d'alcool éthylique, 90% d'essence sans plomb par volume) est approuvée comme

Modèles 2ZRP8, 2ZRP9

carburant. D'autres mélanges d'essence et d'alcool ne sont pas approuvés.

MÉLANGES D'ESSENCE ET D'ÉTHER:

Les mélanges d'éther méthyl-tertiobutylique (MTBE) et d'essence sans plomb (jusqu'à un maximum de 15% MTBE par volume) sont des carburants approuvés. D'autres mélanges d'essence et d'éther ne sont pas approuvés.

INSTALLATION DE LA BATTERIE

⚠ AVERTISSEMENT ne doit être entrepris que par un concessionnaire agréé.

HAUTE ALTITUDE

En haute altitude, le mélange air/carburant standard d'un carburateur sera trop riche. La performance diminuera et la consommation de carburant augmentera. Un mélange très riche obstruera également la bougie d'allumage et sera la cause d'un démarrage difficile. La marche de l'appareil à une altitude qui diffère de celle à laquelle ce moteur a été certifié, pour des périodes de temps prolongées, peut augmenter les émissions.

La performance en haute altitude peut être améliorée par des modifications spécifiques du carburateur. Si vous vous servez toujours de votre groupe électrogène à des altitudes de plus de 5,000 pieds (1,500 mètres), demander à votre concessionnaire de faire cette modification du carburateur. Ce moteur, quand il marchera en haute altitude avec les modifications du carburateur pour utilisation en haute altitude, satisfera les normes d'émission pour la durée de sa vie utile.

Même avec une modification du carburateur, la puissance du moteur diminuera par environ 3.5% pour chaque hausse en altitude de 1,000

pieds (300 mètres). L'effet de l'altitude sur la puissance en chevaux sera encore plus grande si aucune modification du carburateur n'est faite.

NOTE: Quand le carburateur a été modifié pour une utilisation en haute altitude, le mélange air/carburant sera trop maigre pour une utilisation en basse altitude. Une utilisation à des altitudes de moins de 5,000 pieds (1,500 mètres) avec un carburateur modifié peut être la cause d'un surchauffement du moteur et causer des dommages sérieux au moteur.

Pour une utilisation en basse altitude, demander à votre concessionnaire de rétablir les réglages usine du carburateur.

FONCTIONNEMENT

DÉMARRAGE AVEC LANÇEUR À RAPPEL

NOTE: Lire soigneusement le manuel de l'utilisateur avant de se servir de l'appareil. S'assurer toujours que l'appareil est sur une surface plane et qu'il est correctement relié à la terre. Vérifier le niveau d'huile du moteur avant le démarrage.



1. Ouvrir la soupape de carburant de l'appareil ou du moteur.
2. Placer la manette du starter en position maximum. Si vous relancez un moteur chaud, le starter doit être



laissé en position d'arrêt (OFF).

3. Mettre le contact du moteur en position de marche (ON).
4. Tirer le lanceur à rappel pour démarrer le moteur.
5. Lorsque le moteur a démarré, ramener doucement la manette du starter en position fermée.

NOTE: Si le moteur ne démarre pas après plusieurs tentatives, répéter les procédures de démarrage citées ci-dessus avec la manette du starter en position d'arrêt (OFF).

6. Permettre à l'appareil de tourner pendant deux (2) minutes pour qu'il se réchauffe.
7. S'assurer que le groupe électrogène est relié à la terre. Voir Préparation du Groupe électrogène; Instructions de mise à la terre.
8. Tester la/les prise(s) avec disjoncteur différentiel (GFCI) de l'appareil. Pousser le bouton d'essai. Le bouton de réenclenchement devrait ressortir et il ne devrait pas y avoir de courant à la prise. Appliquer une charge d'essai ou brancher une lampe sur chaque prise pour vérifier. SI LE BOUTON DE RÉENCLÈCHEMENT NE RESSORT PAS, NE PAS SE SERVIR DE LA/DES PRISE(S). VOIR VOTRE

Generator Dayton®

CONCESSIONNAIRE POUR UN ENTRETIEN IMMÉDIAT.

9. Si le test de la/des prise(s) avec disjoncteur différentiel (GFCI) est positif, appuyer fermement sur le bouton de réenclenchement pour rétablir le courant. Vous devriez entendre ou sentir un dé clic distinctif lorsque ceci est accompli. Si la/les prise(s) ne se réenclenche(nt) pas correctement, ne pas s'en servir. Voir votre concessionnaire pour un entretien immédiat.

NOTE: Ce moteur est équipé d'un système d'arrêt en cas de niveau d'huile bas afin de protéger le moteur. Le moteur s'arrête quand le niveau d'huile devient trop bas. Le moteur ne redémarrera pas avant que de l'huile soit ajoutée. Consulter les consignes pour faire l'appoint d'huile dans la section "Préparation du groupe électrogène; Capacité d'huile du moteur."

DÉMARRAGE ÉLECTRIQUE

NOTE: Lire soigneusement le manuel de l'utilisateur avant de se servir de l'appareil. S'assurer toujours que l'appareil est sur une surface plane et qu'il est correctement relié à la terre. Vérifier le niveau d'huile du moteur avant le démarrage.

1. Ouvrir la soupape de carburant de l'appareil ou du moteur.
2. Tourner l'interrupteur de la commande de ralenti sur la position arrêt (OFF).
3. Placer la manette du starter en position maximum. Si vous redémarrez un moteur chaud, le starter doit être laissé en position d'arrêt (OFF).
4. Mettre le contact du moteur en position de marche (ON).
5. Démarrer le moteur en tournant

complètement l'interrupteur à clef dans le sens des aiguilles d'une montre jusqu'à ce que le moteur démarre. Relâcher alors l'interrupteur.

NOTE: Il ne faut pas lancer le moteur continuellement pendant plus de 30 secondes à la fois. Si le moteur ne démarre pas, attendre trois minutes de refroidissement avant d'essayer de nouveau. Il faut respecter cette procédure pour éviter d'endommager le démarreur.

i le démarreur ne fait pas tourner le moteur, l'arrêter immédiatement. Ne pas faire de nouvelles tentatives de démarrage du moteur avant d'avoir corrigé le problème. Ne pas essayer de faire démarrer le moteur en branchant sa batterie sur une autre.

6. Lorsque le moteur a démarré, ramener doucement la manette du starter en position fermée.
7. Permettre à l'appareil de tourner pendant deux (2) minutes pour qu'il se réchauffe.
8. Tester la/les prise(s) avec disjoncteur différentiel (GFCI) de l'appareil. Pousser le bouton d'essai. Le bouton de réenclenchement devrait ressortir et il ne devrait pas y avoir de courant à la prise. Appliquer une charge d'essai ou brancher une lampe sur chaque prise pour vérifier. SI LE BOUTON DE RÉENCLÈCHEMENT NE RESSORT PAS, NE PAS SE SERVIR DE LA/DES PRISE(S). VOIR VOTRE CONCESSIONNAIRE POUR UN ENTRETIEN IMMÉDIAT.
9. Si le test de la/des prise(s) avec disjoncteur différentiel (GFCI) est positif, appuyer fermement sur le bouton de réenclenchement pour rétablir le courant. Vous devriez entendre ou sentir un dé clic

distinctif lorsque ceci est accompli. Si la/les prise(s) ne se réenclenche(nt) pas correctement, ne pas s'en servir. Voir votre concessionnaire pour un entretien immédiat.

10. Tourner l'interrupteur de la commande de ralenti sur la position marche (ON). L'appareil peut maintenant prendre des charges.

NOTE: Ce moteur est équipé d'un système d'arrêt en cas de niveau d'huile bas afin de protéger le moteur. Le moteur s'arrête quand le niveau d'huile devient trop bas. Le moteur ne redémarrera pas avant que de l'huile soit ajoutée. Consulter les consignes pour faire l'appoint d'huile dans la section "Préparation du groupe électrogène; Capacité d'huile du moteur."

ARRÊT

1. Supprimer les charges en débranchant les raccords électriques et en éteignant les appareils électriques.
2. Laisser le moteur tourner au ralenti pendant deux (2) minutes, ou à aucune condition de charge pour qu'il refroidisse.

NOTE: Le groupe électrogène peut être endommagé si on ne permet pas au moteur de refroidir pendant deux (2) minutes.

3. Mettre la clef du moteur ou le contact du moteur en position d'arrêt.
4. Fermer la soupape de carburant sur l'appareil ou le moteur.

ENTRETIEN DU GROUPE ÉLECTROGÈNE

Maintenir tous les événements dégagés.

Maintenir le groupe électrogène dans un état propre. NE PAS l'asperger d'eau.

Périodiquement, vérifier et serrer tous les éléments de fixation (écrous et

Modèles 2ZRP8, 2ZRP9

boulons), voir le tableau d'entretien périodique.

FICHER D'ESSAIS DES DISJONCTEURS:

Comme avec les autres dispositifs de sécurité, les disjoncteurs (GFCI) fournis avec ces groupes électrogènes doivent être examinés chaque mois pour assurer qu'il fonctionne correctement. Pour tester les disjoncteurs (GFCI), suivre les instructions suivantes et enregistrer la date du test ci-dessous.

1. Appuyer sur le bouton "TEST" avec le groupe électrogène en marche et avec l'interrupteur de commande de ralenti en position de démarrage (START). Le bouton de réenclenchement (RESET) devrait sortir. Les deux prises du boîtier doivent alors être hors tension. Vérifier en branchant une lampe dans chaque prise.

AVERTISSEMENT *SI LE BOUTON DE RÉENCLenchEMENT NE RESSORT PAS, NE PAS SE SERVIR DE LAIDES PRISE(S). VOIR VOTRE CONCESSIONNAIRE Mi-T-M POUR UN ENTRETIEN IMMEDIAT.*

2. Si le disjoncteur (GFCI) fonctionne normalement, remettre le système sous tension en appuyant FERMEMENT sur le bouton de réenclenchement "RESET" jusqu'à ce qu'un déclic distinctif soit entendu ou senti. SI IL N'EST PAS POSSIBLE DE RéARMER LE DISJONCTEUR DIFFéRENTIEL (GFCI), N'UTILISER AUCUNE DES PRISES DU BOITIER DOUBLE. Il faut faire réparer l'appareil immédiatement par un centre de service agréé Mi-T-M.
3. Des charges générées par des vibrations élevées ou des chocs mécaniques violents peuvent déclencher les disjoncteurs

différentiels (GFCI). Si l'un ou l'autre des disjoncteurs différentiels se déclenche tout seul, le réarmer et exécuter les étapes du test 1 et 2.

4. Répéter les étapes 1 à 3 pour le second disjoncteur différentiel (GFCI).

AVERTISSEMENT *Bien que la procédure ci-dessus indique que le disjoncteur différentiel (GFCI) fonctionne correctement avec un groupe électrogène qui n'est pas mis à la terre ou qui est mal mis à la terre, il faut cependant mettre le groupe électrogène à la terre en suivant les instructions de mise à la terre à la page 50 pour que le disjoncteur différentiel (GFCI) soit efficace et protège l'utilisateur contre les courants parasites.*

ENTRETIEN DES PIÈCES D'ÉMISSION PAR ÉVAPORATION:

Les pièces fournies avec l'appareil que vous venez d'acheter sont conformes aux normes d'émission par évaporation du Comité des Ressources de l'Air de la Californie pour l'année 2006.

1. Canalisation de carburant
2. Raccords de canalisation de carburant

Ces pièces doivent être examinées tous les jours afin de s'assurer qu'elles ne comportent ni fissures, ni fuites, ni usure anormale. Si vous constatez toute fissure, fuite ou usure anormale, vous devez remplacer immédiatement les pièces concernées.

RÉGLAGE DE LA COMMANDE DE RALENTI:

NOTE: Le ralenti automatique est réglé entre 2460 et 2940 tr/min.

Le régime de ralenti est réglé en usine et a rarement besoin d'être réglé. Nous recommandons de laisser tous les réglages de cette nature aux bons soins du concessionnaire Mi-T-M.

HABITUELLEMENT, UN RÉGIME

IRRÉGULIER DU MOTEUR INDIQUE QU'IL FAUT FAIRE UN RÉGLAGE DU CARBURATEUR POUR OBTENIR UN RALENTI RÉGULIER. LA COMMANDE DE RALENTI NE FONCTIONNERA PAS CORRECTEMENT SI LE RÉGIME DE RALENTI EST INFÉRIEUR À LA LIMITE RECOMMANDÉE OU SI LE CARBURATEUR EST MAL RÉGLÉ.

MOTEUR:

Le moteur de ce groupe électrogène est réglé pour fonctionner à des vitesses proches de 3600 tours/mn (60Hz) sur toute la plage de puissance fournie. La vitesse de marche à vide (avant qu'une charge soit appliquée) sera juste un peu plus haute que la vitesse de charge et est normalement réglé à 3750 tours/mn.

AVERTISSEMENT *Il ne faut pas modifier le mécanisme du régulateur, changer son réglage de façon expérimentale, ni pousser l'accélérateur pour essayer de produire plus de courant électrique; ceci risque d'endommager l'équipement et de causer des blessures.*

Le réglage du régime du régulateur doit être laissé aux bons soins d'un concessionnaire Mi-T-M.

VÉRIFICATION DU NIVEAU D'HUILE:

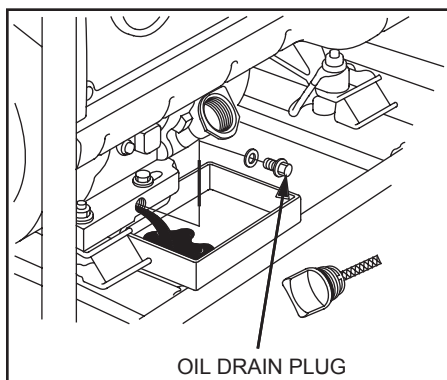
Vérifier le niveau d'huile avant chaque utilisation et s'assurer qu'il est maintenu à un bon niveau comme le décrit la section "Préparation du groupe électrogène; Capacité d'huile du moteur."

VIDANGE D'HUILE:

Changer l'huile après les premières 20 heures de service. Par la suite, il faut la changer toutes les 100 heures.

1. Vérifier que le groupe électrogène est sur un sol horizontal. Faire fonctionner le moteur pour chauffer l'huile.
2. Arrêter le moteur.
3. Enlever le bouchon de vidange d'huile.

Generator Dayton®



OIL DRAIN PLUG

AVERTISSEMENT *L'huile qui s'écoule peut être très chaude. Pour réduire les risques de brûlures, la manipuler avec précaution. Mettre l'huile usée au rebut d'une façon appropriée.*

4. Vider l'huile pendant que le moteur est chaud, dans un conteneur approprié
5. Remettre en place le bouchon de vidange d'huile.
6. Enlever la jauge de niveau d'huile et la remplir avec une huile neuve.
7. Vérifier le niveau d'huile en suivant les instructions dans la section "Préparation du groupe électrogène; Capacité d'huile du moteur."
8. Essuyer toute huile renversée.

FILTRE À AIR:

AVERTISSEMENT *Risque d'incendie ou d'explosion. Ne pas utiliser d'essence ou de solvants avec un point d'éclair bas pour nettoyer l'élément. Nettoyer l'élément dans un endroit bien ventilé. S'assurer qu'il n'y a aucune étincelles ou flammes près de la zone de travail: ceci inclut tout appareil ménager avec une veilleuse.*

ATTENTION *IL NE FAUT JAMAIS FAIRE FONCTIONNER LE MOTEUR SANS FILTRE à AIR, SOUS PEINE DE DOMMAGES SÉRIEUX.*

Inspecter le filtre à air tous les jours ou avant de faire démarrer le moteur. Vérifier qu'il n'y a pas d'accumulation importante de saleté et de débris et qu'aucun élément n'est desserré ni endommagé. (Voir Fig. 8). Corriger tout problème.

1. Ouvrir le couvercle du filtre à air et retirer les éléments
2. Nettoyer les éléments:

ÉLÉMENT DE PRÉFILTRE EN MOUSSE:

Laver l'élément de préfiltre en mousse avec de l'eau chaude et du détergent. Rincer l'élément de préfiltre en mousse soigneusement afin d'éliminer toute trace de détergent. Bien le serrer pour éliminer l'excès d'eau mais ne pas le tordre. Laisser sécher l'élément de préfiltre en mousse à l'air.

Saturer l'élément de préfiltre en mousse avec une huile de moteur neuve. Le serrer pour éliminer tout excès d'huile. NE PAS mettre d'huile moteur sur l'amortisseur en mousse.

NOTE: Nettoyer l'élément de préfiltre en mousse toutes les 25 heures de service (plus fréquemment dans un environnement extrêmement poussiéreux ou sale).

CARTOUCHE FILTRANTE EN PAPIER:

Il ne faut pas laver la cartouche en papier ni utiliser d'air comprimé, car ceci peut l'endommager. Nettoyer la cartouche en la tapant doucement pour faire tomber la poussière. Remplacer la cartouche filtrante si elle est endommagée, déformée ou extrêmement sale. Il faut manipuler les cartouches filtrantes neuves avec précaution. Il ne faut pas utiliser de cartouches dont les surfaces de contact sont déformées ou endommagées.

NOTE: Remplacer la cartouche en papier toutes les 100 heures de service (plus fréquemment dans un environnement

extrêmement poussiéreux ou sale.)

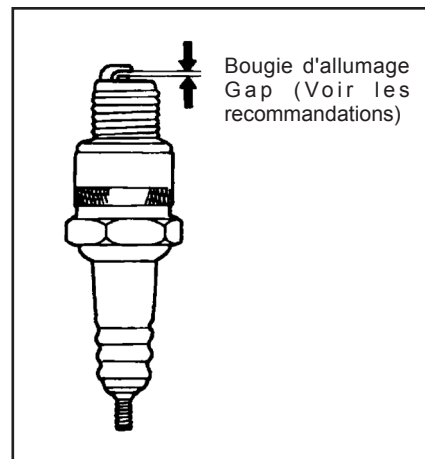
Remettre en place l'élément de préfiltre en mousse et la cartouche filtrante en papier. Fermer le couvercle du filtre à air et le serrer.

NETTOYAGE ET RÉGLAGE DE L'ÉCARTEMENT DES BOUGIES:

Bougie Recommandée:

Moteur	Honda
Bougie d'allumage	NGK BPR6ES
Bougie d'allumage Gap	0.7 - 0.8 mm (0.03 in.)
Couple-Nouveau	8.7-10.9 ft-lb
Couple-Resserrez	16.6-19.5 ft-lb

Si la bougie est contaminée par du carbone, l'enlever avec un produit d'entretien pour bougie ou une brosse métallique.



Vérifier l'écartement des électrodes et le rajuster si nécessaire. Les écartements d'électrodes sont indiqués ci-dessous. Pour changer l'écartement, ne courber que l'électrode de côté, en se servant d'un outil pour bougie.

Installer et serrer la bougie. Raccorder le fil de la bougie.

Modèles 2ZRP8, 2ZRP9

PARE-ÉTINCELLES:

Le silencieux sera très chaud si le groupe électrogène a fonctionné. Lui permettre de refroidir avant de procéder.

NOTE: Enlever et nettoyer le pare-étincelles toutes les 100 heures de service ou quand nécessaire.

NOTE: Les utilisateurs de cet appareil sur les terres du service des forêts des Etats-Unis, et dans certains états, doivent respecter les règles de prévention d'incendie.

Nettoyer le pare-étincelles comme suit:

1. Desserrer la vis à coté de l'orifice déhanchement du silencieux et enlever le pare-étincelles.
2. Utiliser une brosse pour enlever les dépôts de carbone se trouvant sur le tamis du pare-étincelles. Examiner le tamis et s'assurer qu'il est libre de brèches ou de déchirures et le remplacer si nécessaire.
3. Réinstaller le pare-étincelles dans l'ordre inverse du montage.

Les pare-étincelles sont disponibles chez votre concessionnaire Mi-T-M local. D'autres conditions d'utilisation seront peut-être requises, vérifier avec

les autorités fédérales, régionales ou locales.

STOCKAGE DU GÉNÉRATEUR

COURT TERME (1 À 6 MOIS):

1. Ajouter du conditionneur et stabilisateur d'essence à la concentration spécifiée.
2. Faire tourner l'appareil pendant deux (2) minutes pour assurer que le mélange de carburant se trouve dans tout le système de carburant. Fermer le robinet de carburant et laisser marcher l'appareil jusqu'à ce qu'il s'arrête.
3. Enlever la bougie, verser lentement une à deux cuillerées à café (5 à 10 cm³) d'huile moteur dans le cylindre, tirer doucement deux ou trois fois le cordon du lanceur, remonter la bougie et la serrer fermement.
4. Nettoyer la surface extérieure du groupe électrogène et appliquer de l'antirouille.
5. Remiser le groupe électrogène dans un endroit sec et bien aéré.

LONG TERME (PLUS DE 6 MOIS):

1. Ajouter du conditionneur et

stabilisateur d'essence à la concentration spécifiée.

2. Faire marcher le groupe électrogène jusqu'à ce que le réservoir de carburant et le carburateur soient secs. Quand le moteur commence de s'arrêter, placer la manette du starter en position de démarrage à froid.

NOTE: Désactiver la commande de ralenti pour diminuer le temps de fonctionnement.

3. Enlever la bougie, verser lentement une à deux cuillerées à café (5 à 10 cm³) d'huile moteur dans le cylindre, tirer doucement deux ou trois fois le cordon du lanceur, remonter la bougie et la serrer fermement.
4. Nettoyer la surface extérieure du groupe électrogène et appliquer de l'antirouille.
5. Remiser le groupe électrogène dans un endroit sec et bien aéré.

AVERTISSEMENT Le carburant doit être vidé dans un endroit bien aéré et doit être entreposé dans un conteneur homologué pour essence.

Generator Dayton®

ENTRETIEN	Chaque jour	Toutes les 25h	Toutes les 100 h	Toutes les 200 h	Avant remisage
Vérifier le niveau de carburant	•				
Vérifier le niveau d'huile du moteur	•				
Vérifier qu'il n'y a pas d'écrous ou de boulons desserrés ou perdus	•				
Rechercher d'éventuelles fuites	•				
Vérifier que les ailettes du cylindre et de la culasse ne sont pas sales ou poussiéreuses.	•				
Niveau de l'électrolyte de la batterie	•				
Inspection de la conduite de carburant (remplacer selon le besoin)	•				
Nettoyer l'élément en mousse du filtre à air (**)		•			
Serrer les écrous et boulons (*)			•		
Vidange d'huile du moteur (*)			•		
Nettoyer le filtre à carburant			•		
Remplacer la cartouche filtrante en papier (**)			•		
Nettoyer la poussière et saleté des ailettes du cylindre et de la culasse (**)			•		
Nettoyer la bougie et régler l'écartement des électrodes				•	
Ajouter du stabilisateur de carburant					•
Faire tourner le moteur jusqu'à sec de carburant					•

Modèles 2ZRP8, 2ZRP9

Tableau de dépannage

Symptôme	Cause(s) possible(s)	Action corrective
Le moteur ne démarre pas.	L'interrupteur du moteur est en position d'arrêt (OFF).	Mettre l'interrupteur du moteur en position de marche (ON).
	Le réservoir de carburant est vide.	Remplir le réservoir selon les instructions contenues dans ce manuel.
Le moteur ne démarre pas.	La soupape de carburant est fermée.	Ouvrir la soupape de carburant.
	Niveau d'huile du moteur est insuffisant.	Vérifier le niveau d'huile. Ce moteur est équipé d'un détecteur de niveau d'huile bas. Ce moteur ne peut pas être démarré si le niveau d'huile n'est pas plus élevé que la limite inférieure prescrite.
	Pas d'étincelle au niveau de la bougie.	Enlever le capuchon de la bougie. Nettoyer toute saleté autour de la base de la bougie, puis retirer la bougie. Installer la bougie dans le capuchon de la bougie. Mettre l'interrupteur du moteur en position de marche (ON). Tout en mettant l'électrode sur une bonne masse du moteur, tirer sur le lanceur à rappel pour voir si une étincelle traverse l'écartement des électrodes. Si il n'y a pas d'étincelle, remplacer la bougie. Remonter la bougie et démarrer le moteur en suivant les instructions contenues dans ce manuel.
Pas de courant en sortie du groupe électrogène.	Déclenchement des disjoncteurs. Cordons électriques et rallonges inadéquats.	Consultez un concessionnaire Mi-T-M. Réarmer les disjoncteurs. Vérifier la capacité des cordons électriques et des rallonges dans la section Commandes; la taille des câbles dans ce manuel.
	Inadequate cord sets or extension cords.	Consultez un concessionnaire Mi-T-M.

Generator Dayton®

GARANTIE LIMITÉE

GARANTIE LIMITÉE DE UN AN DE DAYTON. LES MODÈLES 2ZRP8, 2ZRP9 DE DAYTON® COUVERTS DANS CE MANUEL SONT GARANTIS À L'UTILISATEUR D'ORIGINE PAR DAYTON ELECTRIC MFG. CO. (DAYTON), CONTRE TOUT DÉFAUT DE FABRICATION OU DE MATÉRIAUX, LORS D'UNE UTILISATION NORMALE, ET CELA PENDANT UN AN APRÈS LA DATE D'ACHAT. TOUTE PIÈCE, DONT LES MATÉRIAUX OU LA MAIN D'OUVRE SERONT JUGÉS DÉFECTUEUX, ET QUI SERA RENVOYÉE PORT PAYÉ, À UN CENTRE DE RÉPARATION AUTORISÉ PAR DAYTON, SERA, À TITRE DE SOLUTION EXCLUSIVE, SOIT RÉPARÉE, SOIT REMPLACÉE PAR DAYTON. POUR LE PROCÉDÉ DE RÉCLAMATION SOUS GARANTIE LIMITÉE, REPORTEZ-VOUS À LA CLAUSE DE "DISPOSITION PROMPTE" CI-DESSOUS. CETTE GARANTIE LIMITÉE DONNE AUX ACHETEURS DES DROITS LÉGAUX SPÉCIFIQUES QUI VARIENT DE JURIDICTION À JURIDICTION.

LIMITES DE RESPONSABILITÉ. LA RESPONSABILITÉ DE DAYTON, DANS LES LIMITES PERMISES PAR LA LOI, POUR LES DOMMAGES INDIRECTS OU FORTUITS EST EXPRESSEMENT DÉNIÉE. DANS TOUS LES CAS LA RESPONSABILITÉ DE DAYTON EST LIMITÉE ET NE DÉPASSERA PAS LA VALEUR DU PRIX D'ACHAT PAYÉ.

DÉSISTEMENT DE GARANTIE. DE DILIGENTS EFFORTS SONT FAITS POUR FOURNIR AVEC PRÉCISION LES INFORMATIONS ET ILLUSTRATIONS DES PRODUITS DÉCRITS DANS CETTE BROCHURE; CEPENDANT, DE TELLES INFORMATIONS ET ILLUSTRATIONS SONT POUR LA SEULE RAISON D'IDENTIFICATION, ET N'EXPRIMENT NI N'IMPLIQUENT QUE LES PRODUITS SONT COMMERCIALISABLES, OU ADAPTABLES À UN BESOIN PARTICULIER, NI QUE CES PRODUITS SONT NÉCESSAIREMENT CONFORMES AUX ILLUSTRATIONS OU DESCRIPTIONS. SAUF POUR CE QUI SUIT, AUCUNE GARANTIE OU AFFIRMATION DE FAIT, ÉNONCÉE OU IMPLICITE, AUTRE QUE CE QUI EST ÉNONCÉ DANS LA « GARANTIE LIMITÉE » CI-DESSUS N'EST FAITE OU AUTORISÉE PAR DAYTON.

Désistement sur les conseils techniques et les recommandations. Peu importe les pratiques ou négociations antérieures ou les usages commerciaux, les ventes n'incluent pas l'offre de conseils techniques ou d'assistance ou encore de conception de système. Dayton n'a aucune obligation ou responsabilité quant aux recommandations non autorisées, aux opinions et aux suggestions relatives au choix, à l'installation ou à l'utilisation des produits.

Conformité du produit. De nombreuses juridictions ont des codes et règlements qui gouvernent les ventes, constructions, installations et/ou utilisations de produits pour certains usages qui peuvent varier par rapport à ceux d'une zone voisine. Bien que Dayton essaie de s'assurer que ses produits s'accordent avec ces codes, Dayton ne peut garantir cet accord, et ne peut être jugée responsable pour la façon dont le produit est installé ou utilisé. Avant l'achat et l'usage d'un produit, revoir les applications de ce produit, ainsi que tous les codes et règlements nationaux et locaux applicables, et s'assurer que le produit, son installation et son usage sont en accord avec eux.

Certains aspects de désistement ne sont pas applicables aux produits pour consommateur; ex : (a) certaines juridictions ne permettent pas l'exclusion ou la limitation des dommages indirects ou fortuits et donc la limitation ou exclusion ci-dessus peut ne pas s'appliquer dans le cas présent; (b) également, certaines juridictions n'autorisent pas de limitations de durée de la garantie implicite, en conséquence, la limitation ci-dessus peut ne pas s'appliquer dans le cas présent; et (c) par force de loi, pendant la période de cette Garantie Limitée, toutes garanties impliquées de commerciabilité ou d'adaptabilité à un besoin particulier applicables aux produits de consommateurs achetés par des consommateurs, peuvent ne pas être exclues ni autrement désistées.

Disposition prompte. Un effort de bonne foi sera fait pour corriger ou ajuster rapidement tout produit prouvé défectueux pendant la période de la garantie limitée. Pour tout produit considéré défectueux pendant la période de garantie limitée, contacter tout d'abord le concessionnaire où l'appareil a été acheté. Le concessionnaire doit donner des instructions supplémentaires. S'il est impossible de résoudre le problème de façon satisfaisante, écrire à Dayton à l'adresse ci-dessous, en indiquant le nom et l'adresse du concessionnaire, la date et le numéro de la facture du concessionnaire, et en décrivant la nature du défaut. Le titre et le risque de perte passent à l'acheteur au moment de la livraison par le transporteur. Si le produit a été endommagé pendant le transport, une réclamation doit être faite auprès du transporteur.

Fabriqué pour Dayton Electric Mfg. Co., 5959 W. Howard St., Niles, Illinois 60714-4014 États-Unis

Commandez les pièces détachées en appelant gratuitement 1 800 323-0620

24 heures par jour – 365 jours par an

S'il vous plaît fournir l'information suivante :

- Numéro de modèle
- Numéro de série (s'il y en a un)
- Description de la pièce et son numéro
comme montré sur la liste de pièces

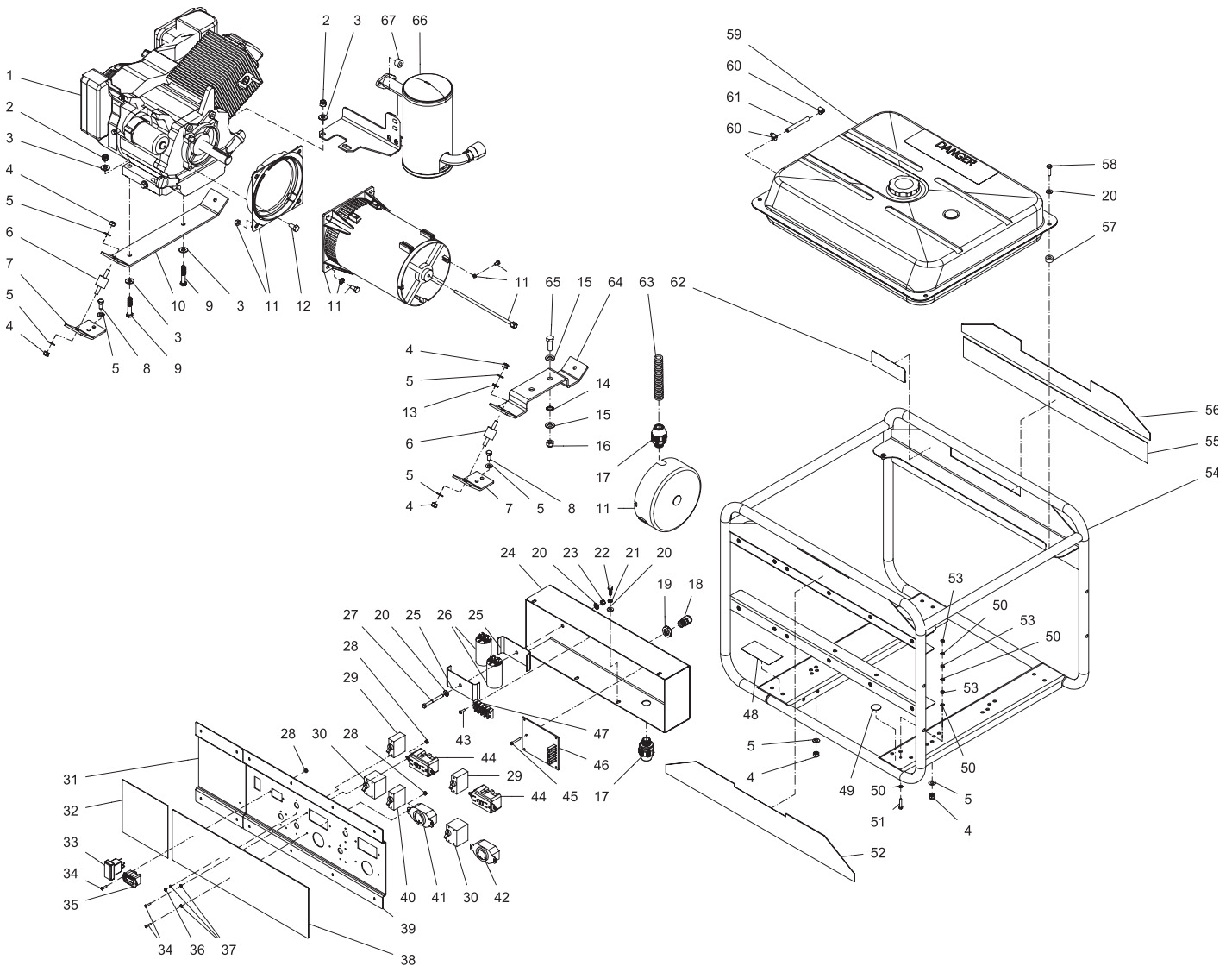


Figure 1 – Illustration des pièces détachées pour GEN-6000-0GH0 091008

FRANÇAIS

Modèles 2ZRP8, 2ZRP9

Liste des pièces détachées pour 2ZRP8

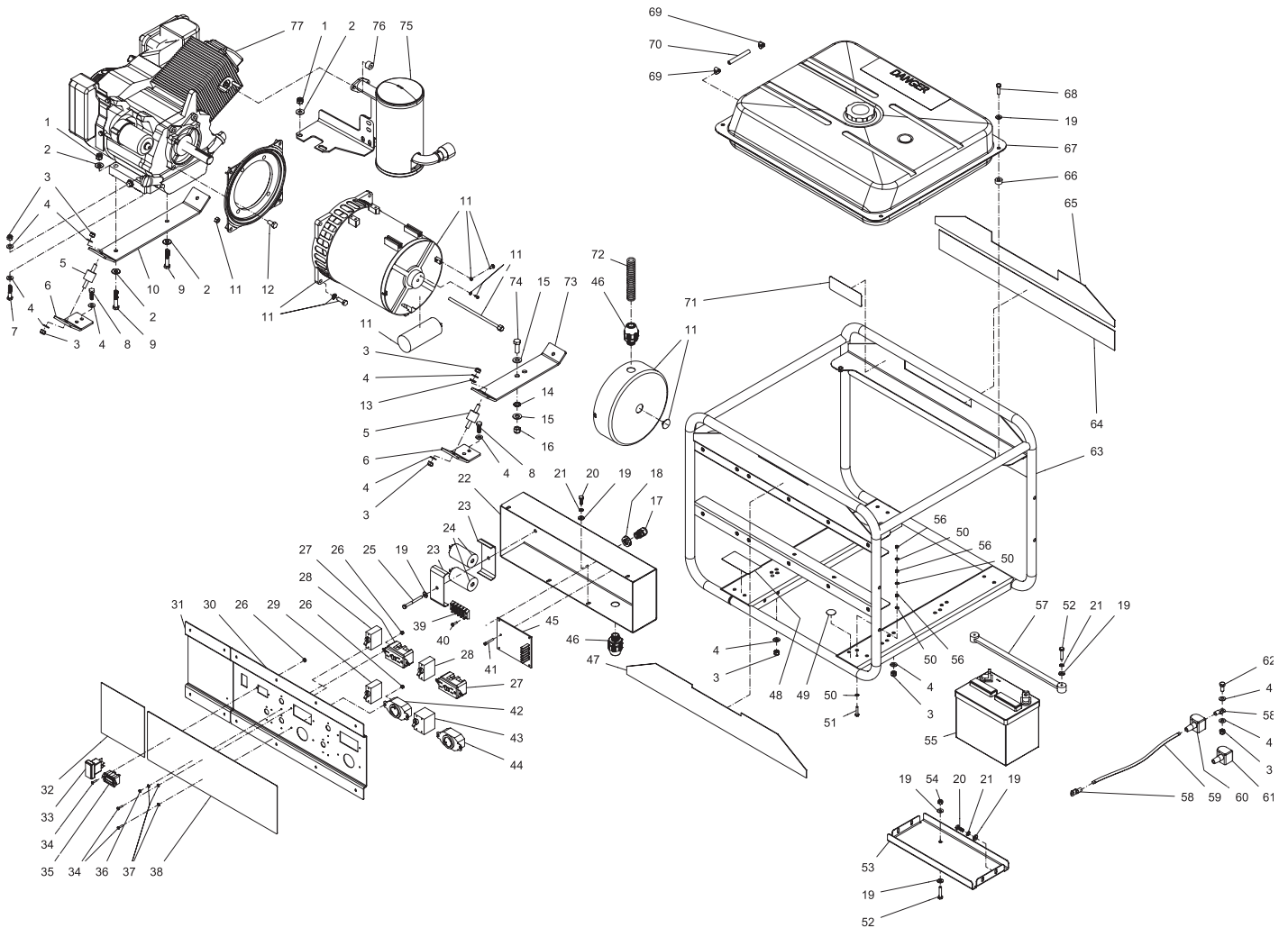
N° de réf.	Description	N° de pièce	Qté	N° de réf.	Description	N° de pièce	Qté
1	Moteur	1-0152	1	37	Rondelle frein extérieure	29-1013	34
2	Contre-écrou	30-0159	3	38	Décalque-Panneau (Voir 34-9083)	N/A Sep.	1
3	Rondelle	28-0022	6	39	Tableau de commandes	20-1118A01	1
4	Contre-écrou	30-0157	16	40	Disjoncteur	32-0836	2
5	Rondelle	28-0003	24	41	Prise	32-0832	1
6	Isolateur	33-0028	4	42	Prise	32-0833	1
7	Plaque de fixation	5-0236A01	4	43	Boulon	27-8942	2
8	Vis	27-0066	8	44	Prise	32-0830	2
9	Boulon	27-0121	3	45	Boulon	27-0740	2
10	Plaque d'isolation	5-0243A01	1	46	Le ralenti embarquent vers le bas	32-0896	1
11	Groupe électrogène	32-0825	1	47	Bande terminale	32-0227	1
12	Boulon	27-0116	4	48	Décalque-Autocollant Argenté	N/A	1
13	Rondelle frein	29-0110	1	49	Decal- Décalque- Mise à la terre illustrée (Voir 34-9038)	N/A Sep.	1
14	Rondelle frein	29-0112	1	50	Rondelle frein extérieure	29-1009	30
15	Rondelle	28-0005	2	51	Boulon	27-8807	1
16	Contre-écrou	30-0161	1	52	Decal-Gen	N/A Sep.	2
17	Conduit	32-0255	2	53	Ecrou Hexagonal	30-6001	3
18	Passe-fils	32-0586	1	54	Fuel Tank Assy (See 850-0008)	N/A	1
19	Contre-écrou	32-0587	1	55	Decal-Warning (See 34-9038)	N/A Sep.	1
20	Rondelle	28-0002	10	56	Décalque-Groupe Electrogène	N/A Sep.	2
21	Rondelle frein	29-0006	4	57	Isolateur de Réservoir de carburant	14-0103	4
22	Boulon	27-0015	4	58	Boulon	27-0016	4
23	Contre-écrou	30-0155	1	59	Ensemble du réservoir de carburant	850-0008	1
24	Boîtier électrique	20-0831A01	1	60	Patte de serrage filetée	42-0004	2
25	Plaque Condensateur	20-0797A01	2	61	Tuyau de carburant (Deux pied requis)	15-0261	1
26	Condensateur	32-0846	2	62	Décalque-Grainger 800#	34-1444	1
27	Boulon	27-0022	1	63	Conduit (Deux pied requis)	32-0253	1
28	Contre-écrou	30-0152	10	64	Plaqu e d'isolation	5-0242A01	1
29	Disjoncteur	32-0834	2	65	Boulon	27-0167	1
30	Disjoncteur	32-0835	2	66	Pot d'échappement	45-0085	1
31	Couverture-Décalque Plaque	20-0833A01	1	67	Entretoise Groupe électrogène	33-0431	2
32	Décalque-Fonctionnement (See 34-9038)	N/A Sep.	1		Ensemble de décalques (Inc. 32, 38, 49, 55)	34-9038	
33	Séplacement Commutateur	32-0626	1				
34	Boulon	27-8881	22				
35	Mètre d'heure	32-0668	1				
36	Boulon	27-9574	14				

Commandez les pièces détachées en appelant gratuitement 1 800 323-0620

24 heures par jour – 365 jours par an

S'il vous plaît fournir l'information suivante :

- Numéro de modèle
- Numéro de série (s'il y en a un)
- Description de la pièce et son numéro
comme montré sur la liste de pièces



FRANÇAIS

Figure 2 – Illustration des pièces détachées pour GEN-7500-0GHE 090508

Modèles 2ZRP8, 2ZRP9

Liste des pièces détachées pour 2ZRP9

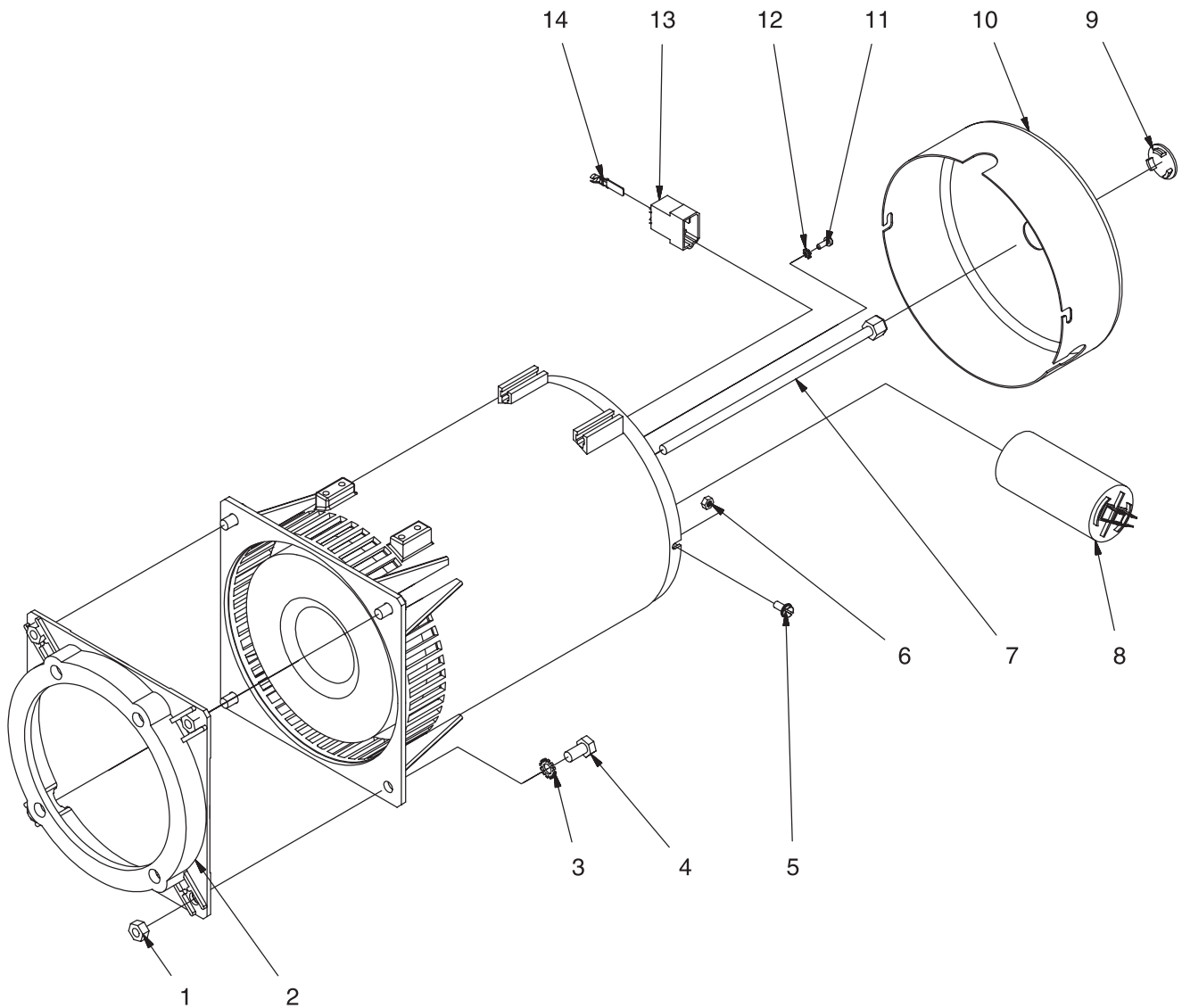
N° de réf.	Description	N° de pièce	Qté	N° de réf.	Description	N° de pièce	Qté
1	Contre-écrou	30-0159	3	43	Briseur à bascule	32-0837	1
2	Rondelle	28-0022	6	44	Prise- L14-30	32-0831	1
3	Contre-écrou	30-0157	19	39	Bande Terminale	32-0227	1
4	Rondelle	28-0003	30	45	Le ralenti embarquent vers le bas	32-0896	1
5	Isolateur	33-0028	4				
6	Plaque de fixation	5-0236A01	4	46	Raccord de Conduit	32-0255	2
7	Boulon	27-0069	1	47	Décalque-Groupe Electrogène	34-2237	2
8	Boulon	27-0067	8	48	Décalque-Autocollant Argenté	N/A	1
9	Boulon	27-0121	3	49	Décalque- Mise à la terre illustrée (See 34-9038)	N/A Sep.	1
10	Plaque d'isolation	5-0243A01	1	50	Rondelle frein	28-1009	4
11	Boulon	27-0121	1	51	Vis	27-8807	1
11	Groupe électrogène	32-0826	1	52	Boulon	27-0017	2
12	Boulon	27-0116	4	53	Batterie Plaque	20-0832A01	1
13	Rondelle frein	29-0110	1	54	Contre-écrou	30-0155	2
14	Rondelle frein	29-0112	1	55	Batterie	32-0058	1
15	Rondelle	28-0005	2	56	Ecrou Hexagonal	30-6001	3
16	Contre-écrou	30-0161	1	57	Batterie Courroie	33-0430	1
17	Passe-fils	32-0586	1	61	Batterie Couverture de câble	33-0429	1
18	Contre-écrou	32-0587	1	58	Terminal Ring	32-0097	4
19	Rondelle	28-0002	17	59	Câble	32-0065	2
20	Boulon	27-0015	8	60	Batterie Couverture de câble	33-0004	1
21	Rondelle frein	29-0006	9	62	Boulon	27-0066	2
22	Boîtier électrique	20-0831A01	1	63	Châssis Ensemble	5-0231A01	1
23	Capacitor Clamp Bracket	20-0797A01	2	64	Décalque-Avertissement (See 34-9038)	N/A Sep.	1
24	Boulon	27-0120	2	65	Décalque-Groupe Electrogène	34-2238	1
24	Condensateur	32-0846	2	66	Isolateur de Réservoir de Carburant	14-0103	4
25	Boulon	27-0022	1	67	Ensemble du Réservoir de Carburant	856-0008	1
26	Contre-écrou	30-0152	10	68	Boulon	27-0016	4
27	GFCI Duplex Prise	32-0830	2	69	Patte de serrage filetée	42-0004	2
28	Cabillot Disjoncteur	32-0834	2	70	Tuyau de carburant *(Un pied requis)	15-0261	1
29	Cabillot Disjoncteur	32-0836	1	71	Décalque- Grainger 800#	34-1444	1
30	Tableau de commandes	20-1118A01	1	72	Conduit Flex *(Deux pied requis)	32-0253	1
31	Décalque Cover Plaqu	20-0833A01	1	73	Alternateur Plaqu	5-0244A01	1
32	Décalque-Fonctionnement (See 34-9038)	N/A Sep.	1	74	Boulon	27-0167	1
33	Inverseur à rappel	32-0626	1	75	Pot d'échappement	45-0085	1
34	Boulon	27-8881	22	76	Entretoise	33-0431	2
35	Mètre d'heure	32-0668	1	77	Moteur- 13.0 HP Honda	1-0153	1
37	Mètre de volt	32-0838	1		Ensemble de décalques (Inc. 33, 40, 51, 66)	34-9038	
36	Vis	27-9574	10				
37	Rondelle frein	29-1013	30				
38	Décalque- Tableau de commandes (See 34-9038)	N/A Sep.	1				
40	Vis	27-8942	2				
41	Boulon	27-0740	2				
42	Prise- L5-30	32-0832	1				

**Commandez les pièces détachées en appelant gratuitement
1 800 323-0620**

24 heures par jour – 365 jours par an

S'il vous plaît fournir l'information suivante :

- Numéro de modèle
- Numéro de série (s'il y en a un)
- Description de la pièce et son numéro
comme montré sur la liste de pièces



FRANÇAIS

Figure 3 – Illustration des pièces détachées pour 32-0825 082605

Modèles 2ZRP8, 2ZRP9

Liste des pièces détachées pour 2ZRP8 Alternateur

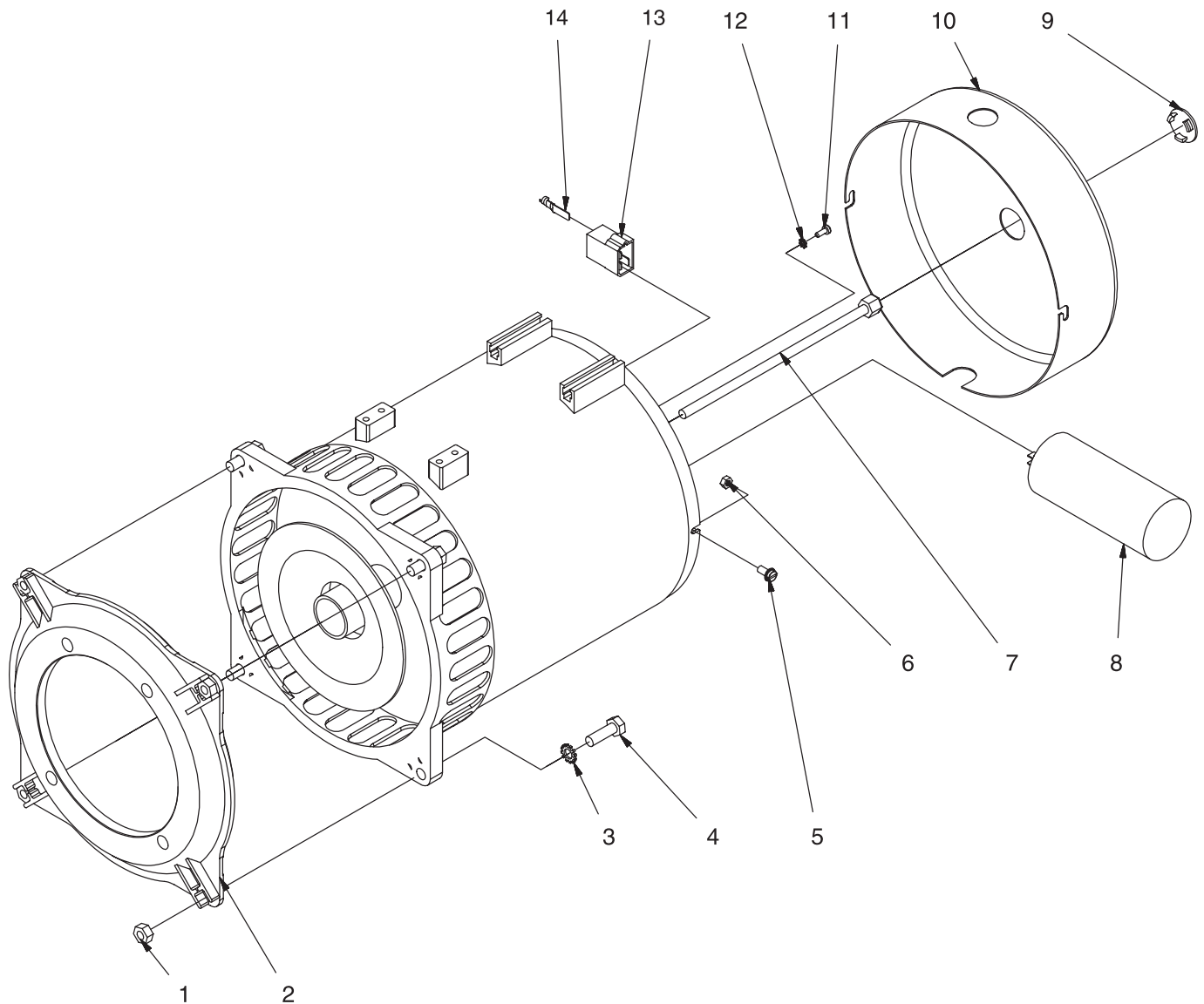
N° de réf.	Description	N° de pièce	Qté	N° de réf.	Description	N° de pièce	Qté
1	Ecrou	30-3007	4	9	Bouchon de l'alternateur	52-0076	1
2	Bride de l'alternateur	52-0071	1	10	Couvercle de bout de l'alternateur	52-0073	1
3	Rondelle frein	29-0110	4	11	Vis auto taraudeuse	27-9586	1
4	Boulon	27-8042	4	12	Rondelle frein extérieure	29-1013	1
5	Boulon	27-9593	2	13	Cosse à Oeillet	52-0077	1
6	Ecrou Hexagonal	30-6001	2	14	Cosse Ouverte	32-0878	4
7	Boulon	27-9585	1		Ensemble complet (Ense. 1-14)	32-0825	
8	Condensateur	32-0874	1				

Commandez les pièces détachées en appelant gratuitement 1 800 323-0620

24 heures par jour – 365 jours par an

S'il vous plaît fournir l'information suivante :

- Numéro de modèle
- Numéro de série (s'il y en a un)
- Description de la pièce et son numéro
comme montré sur la liste de pièces



F
R
A
N
Ç
A
I
S

Figure 4 – Illustration des pièces détachées pour 32-0826 082605

Modèles 2ZRP8, 2ZRP9

Liste des pièces détachées pour 2ZRP9 alternateur

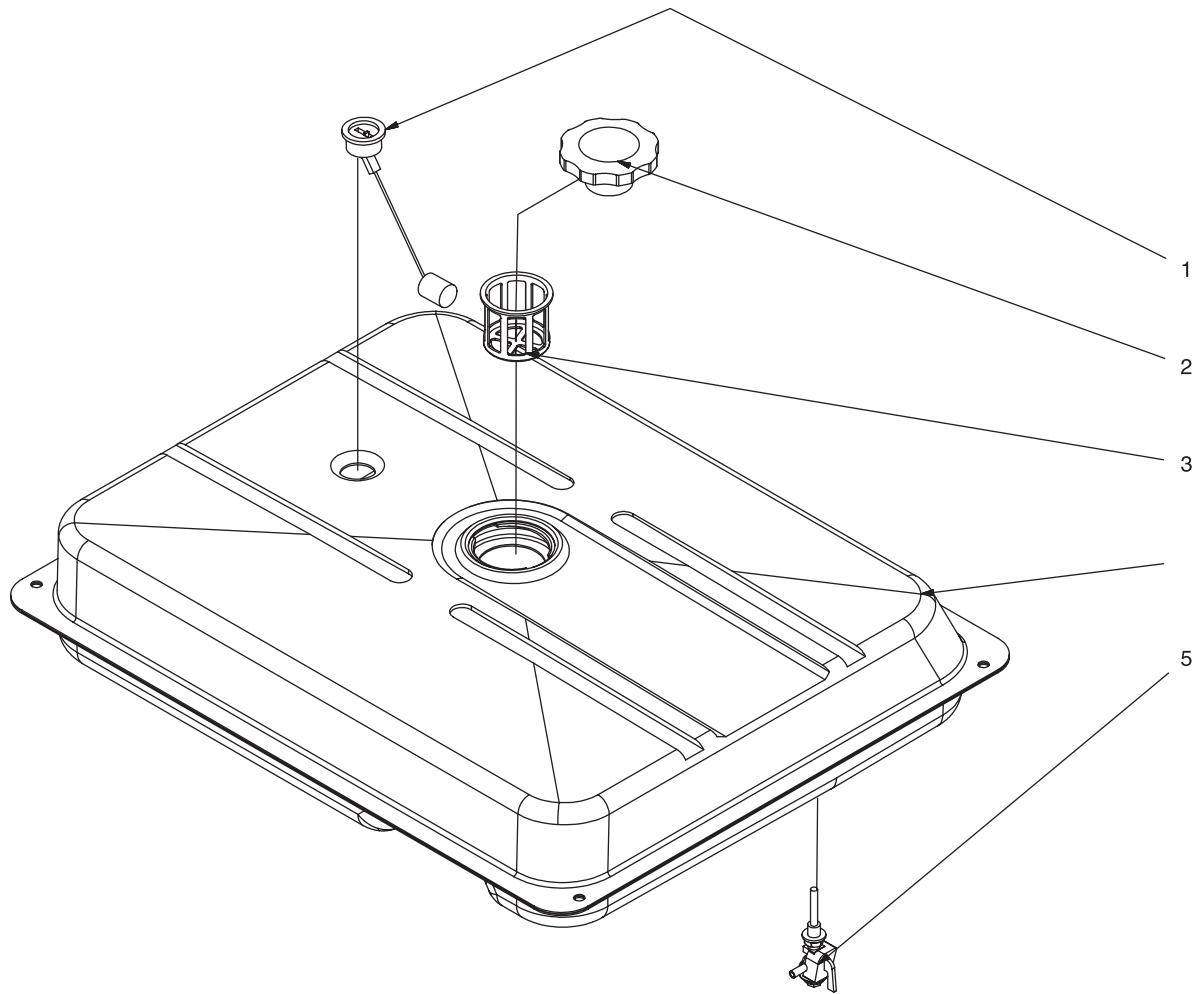
N° de réf.	Description	N° de pièce	Qté	N° de réf.	Description	N° de pièce	Qté
1	Ecrou	30-3007	4	9	Bouchon de l'alternateur	52-0877	1
2	Bride de l'alternateur	52-0072	1	10	Couvercle de bout de l'alternateur	52-0074	1
3	Rondelle frein	29-0110	4	11	Vis auto taraudeuse	27-9586	1
4	Boulon	27-8062	4	12	Rondelle frein extérieure	29-1013	1
5	Boulon	27-9593	2	13	Cosse à oeillet	52-0077	1
6	Ecrou Hexagonal	30-6001	2	14	Cosse ouverte	32-0878	4
7	Boulon	27-9584	1		Ensemble Complet (Ense. 1-14)	32-0826	
8	Condensateur	32-0875	1				

**Commandez les pièces détachées en appelant gratuitement
1 800 323-0620**

24 heures par jour – 365 jours par an

S'il vous plaît fournir l'information suivante :

- Numéro de modèle
- Numéro de série (s'il y en a un)
- Description de la pièce et son numéro
comme montré sur la liste de pièces



FRANÇAIS

Figure 5 – Illustration des pièces détachées pour 856-0008

Modèles 2ZRP8, 2ZRP9

Liste des pièces détachées pour Réservoir de Carburant

N° de réf.	Description	N° de pièce	Qté	N° de réf.	Description	N° de pièce	Qté
1	Jauge de Carburant	12-0178	1	4	Réservoir de Carburant	12-0176	1
2	Bouchon de Carburant	12-0177	1	5	Soupape d'arrêt de Carburant	19-0553	1
3	Filtre à Carburant	19-0554	1		Ensemble complet (Ense. 1-5)	856-0008	

Commandez les pièces de remplacement en appelant gratuitement 1-800-323-0620

24 heures par jour – 365 jours par an

S'il vous plaît fournir l'information suivante :

- Numéro de modèle
- Numéro de série (s'il y en a un)
- Description de la pièce et son numéro comme montré sur la liste de pièces

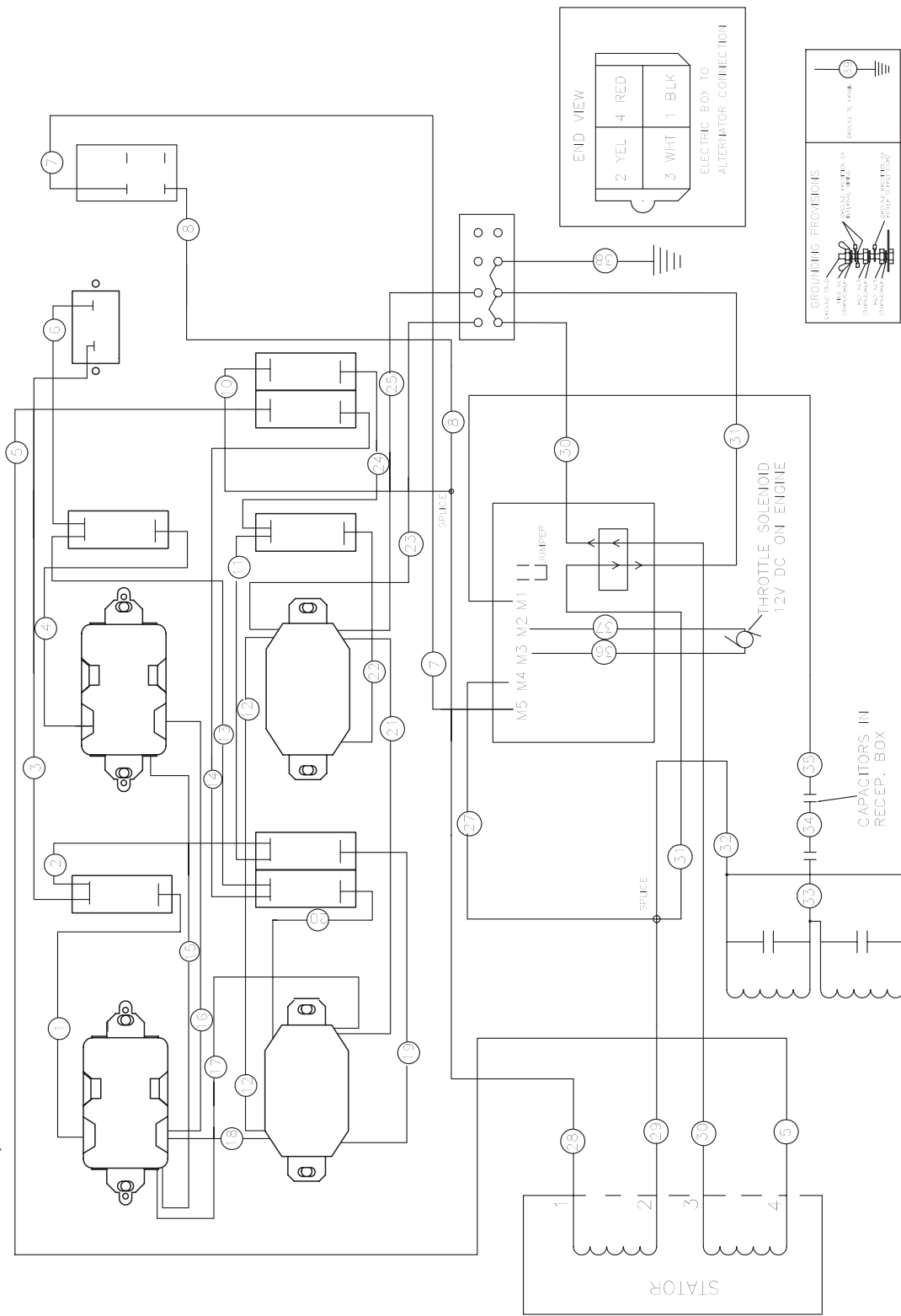


Figure 6 – Illustration des pièces détachées pour 2ZRP8 Wire Diagram

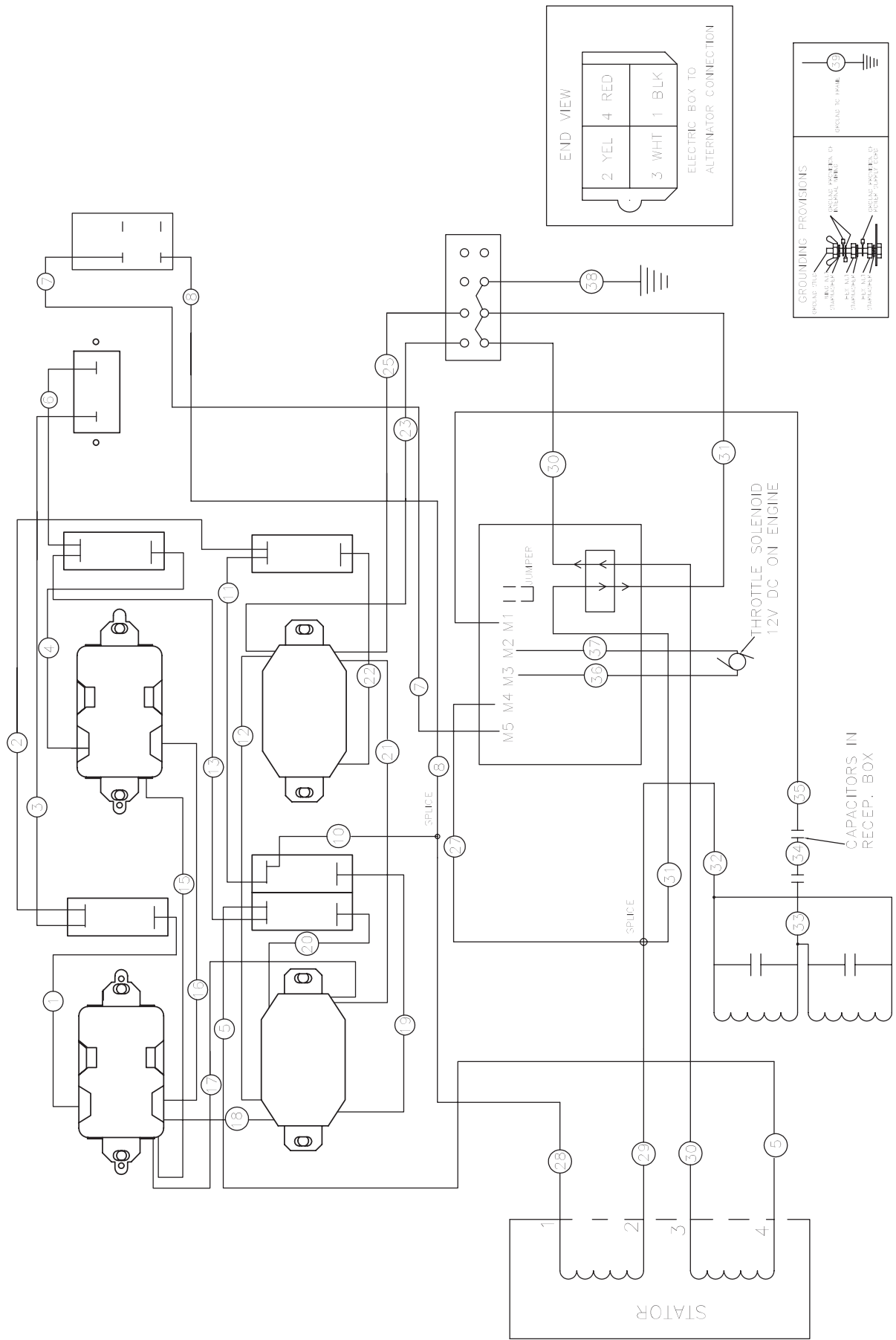


Figure 7- Illustration des pièces détachées pour 2ZRP9 Wire Diagram

Free Manuals Download Website

<http://myh66.com>

<http://usermanuals.us>

<http://www.somanuals.com>

<http://www.4manuals.cc>

<http://www.manual-lib.com>

<http://www.404manual.com>

<http://www.luxmanual.com>

<http://aubethermostatmanual.com>

Golf course search by state

<http://golfingnear.com>

Email search by domain

<http://emailbydomain.com>

Auto manuals search

<http://auto.somanuals.com>

TV manuals search

<http://tv.somanuals.com>