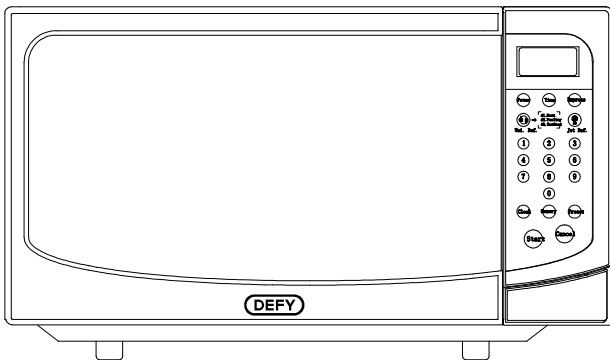


OWNER'S MANUAL



The Manufacturer strives for continuous improvements. The content of this book is therefore subject to change without notice.

Please read these instructions carefully before installing and operating the oven.

Record in the space below the listed information for future reference. The Serial number may be found on the nameplate of your oven.

SERIAL No.....

DATE OF PURCHASE.....

PURCHASED FROM.....



You can rely on Defy. To simplify

MODEL
DMO 345

**38 LITRE
MICROWAVE OVEN**

Please register your
product at
www.defy.co.za



PRECAUTIONS TO AVOID POSSIBLE EXPOSURE TO MICROWAVE ENERGY.

1. Do not operate this oven with the door open since this can result in harmful exposure to microwave energy.
2. It is important not to bypass or tamper with the door safety interlocks.
3. Do not place any object between the oven front face and the door or allow soil or cleaner residue to accumulate on the sealing surfaces.
4. Do not operate the oven if it is damaged.
5. It is particularly important that the oven door closes properly and that there is no damage to the:
 - Door (bent, skew or dented)
 - Hinges and latches (broken or loosened)
 - Door seals and sealing surfaces. (deformed or covered with dirt deposits)
6. The oven should not be adjusted or repaired by anyone except properly qualified service personnel.

CONTENTS AND PAGE NUMBER.

IMPORTANT SAFETY INSTRUCTIONS.....	3
SPECIFICATIONS.....	4
INSTALLATION.....	4
RADIO INTERFERENCE.....	4
EARTHING INSTRUCTIONS.....	5
MICROWAVE COOKING GUIDE.....	5
BEFORE YOU CALL FOR SERVICE.....	5
UTENSILS AND COOKWARE GUIDE.....	6
PART NAMES.....	6
CONTROL PANEL.....	7
HOW TO SET THE OVEN CONTROLS.....	8
• Setting The Clock.....	8
• Setting Cooking Times And Power Levels.....	8
• Preset.....	8
• Express.....	9
• Setting “Jet defrost”.....	9
• Setting “Weight defrost”.....	9
• Programme Cooking.....	9
• Setting the Safety (child) lock.....	10
CLEANING AND CARE	10
DEFY SERVICE CENTRES.....	11
WARRANTY.....	12



IMPORTANT SAFETY INSTRUCTIONS.

This product is classified as Group 2 Class B ISM. Defined as (Industrial, Scientific and Medical) equipment in which radio-frequency energy is intentionally generated and/or used in the form of electromagnetic radiation for the treatment of material, and spark erosion equipment. Class B equipment is suitable for use in domestic establishments and in establishments directly connected to a low voltage power supply network which supplies buildings used for domestic purpose.

When using an electrical appliance basic safety precautions should be followed, including the following:

1. Read all instructions before using the appliance.
2. Use this appliance only for its intended use as described in this manual. This type of oven is specifically designed to heat, cook or defrost food. It is not designed for industrial or laboratory use.
3. Do not use corrosive chemicals or aerosols to clean this appliance.
4. Do not operate the oven when empty.
5. Do not operate this appliance if it has a damaged cord or plug, if it is not working properly or if it has been damaged or dropped. If the supply cord is damaged, it must be replaced by the manufacturer or its service agent or a similarly qualified person in order to avoid a hazard.



IMPORTANT SAFETY ADVICE TO REDUCE THE RISK OF FIRE OR BURNS.

1. Check the oven frequently when heating food in plastic or paper container.
2. Remove wire twist-ties from paper or plastic bags before placing the bag in the oven.
3. If smoke is observed, switch off or unplug the appliance and keep the door closed in order to stifle any flames.
4. Do not use the cavity for storage purposes. Do not leave paper products, cooking utensils or food in the cavity when it is not in use.
5. Liquid or other food must not be heated in sealed containers since these are liable to explode.
6. Microwave heating of beverages can result in delayed eruptive boiling, therefore care has to be taken when handling the container.
7. Do not fry food in the oven. Hot oil can damage oven parts, utensils and can even result in skin burns.
8. Pierce foods with heavy skins such as potatoes, tomatoes, whole squashes, apples and chestnuts before cooking. Unless this is done, they may burst or explode.
9. Eggs in their shells and whole hard-boiled eggs should not be heated in microwave ovens since they may explode even after microwave heating has ended.
10. The contents of feeding bottles and baby jars should be stirred or shaken and the temperature should be checked before serving in order to avoid burns.
11. Cooking utensils may become hot because heat is transferred from the heated food. Potholders may be needed to handle the utensil.
12. Utensils should be checked to ensure that they are suitable for use in microwave oven.

Please note:

This appliance is not intended for use by persons, including children, with reduced physical, sensory or mental capabilities, unless they have been given supervision or instruction concerning the use of the appliance by a person responsible for their safety.

Warning:

It is hazardous for anyone other than a trained person to carry out any service or repair operation which involves the removal of any cover which protects against exposure to microwave energy.

SPECIFICATIONS.

Power Consumption:	230V~50Hz, 1500 W (Microwave)
Output:	1000 W.
Operation Frequency:	2450 MHz.
Outside Dimensions:	311mm (H) × 553mm (W) × 455mm (D)
Oven Cavity Dimensions:	250mm (H) × 376mm (W) × 404mm (D)
Oven Capacity:	38 Litres.
Cooking Uniformity:	Turntable System.
Net Weight:	Approx.17.3.kg

INSTALLATION.

Check the oven for:

- A damaged, misaligned or bent door.
- Damaged door seals and sealing surfaces.
- Broken or loose door hinges and latches..
- Dents inside the cavity or on the door..

1. If there is any damage, do not operate the oven and contact qualified service personnel.
2. Make sure that all the packing materials are removed from the inside of the door.
3. The microwave oven must be placed on a flat and stable surface, strong enough to hold its weight and the heaviest food likely to be cooked in the oven.
4. Do not place the oven where heat, moisture, or high humidity are generated, or near any combustible materials.
5. The oven must have sufficient ventilation to operate correctly.
Allow a space of 20cm above the oven, 10cm at back and 5cm at both sides.
6. Do not cover or block any openings on the appliance.
7. Do not remove the feet.
8. Do not operate the oven without the glass tray, the roller support, and the shaft in their proper positions.
9. Make sure that the power supply cord is undamaged and does not run under the oven or over any hot or sharp surface.
- 10.The socket must be readily accessible so that it can be easily unplugged in an emergency.
- 11.Do not use the oven outdoors.

RADIO INTERFERENCE.

Microwave ovens can cause radio and TV interference.

This may be reduced or eliminated by taking the following measures:

1. Clean the door and sealing surfaces of the oven.
2. Reorient the receiving antenna of the radio or the television.
3. Relocate the microwave oven with respect to the receiver.
4. Move the microwave oven away from the receiver.
5. Plug the microwave oven into a different outlet so that the microwave oven and receiver are on different branch circuits.

EARTHING INSTRUCTIONS.

This appliance must be earthed. This oven is equipped with a power chord and earthed plug. It must be plugged into a wall socket that is properly installed and earthed. In the event of an electrical short circuit, earthing reduces risk of electric shock by providing an escape wire for the electric current. It is recommended that a separate circuit serving only the oven be provided. Using a high voltage power supply is dangerous and may result in a fire or other accident causing oven damage.

WARNING

Improper use of the earthed plug can result in a risk of electric shock.

Neither the manufacturer nor the dealer can accept any liability for damage to the oven or personal injury resulting from failure to observe the electrical connection procedures.

If you have any doubts about the electrical installation please consult an electrician or qualified technician.

The wires in the power chord are colored in accordance with the following code:

Green and Yellow = EARTH.

Blue = NEUTRAL.

Brown = LIVE.

MICROWAVE COOKING GUIDE.

1. Arrange the food carefully. Place thickest areas towards outside of dish.
2. Watch the cooking time. Cook for the minimum time indicated in the recipe and add more as needed. Food which is severely overcooked can smoke or ignite.
3. Cover foods while cooking to prevent spattering and to help the food cook evenly.
4. Turn foods over once during microwave cooking to speed up the cooking of such foods as chicken and hamburgers. Large items like roasts must be turned over at least once.
5. Rearrange foods such as meatballs halfway through cooking both from top to bottom and from the center of the dish to the outside.

BEFORE YOU CALL FOR SERVICE.

If the oven fails to operate:

1. Check to ensure that the oven is plugged in securely. If it is not, remove the plug from the outlet, wait 10 seconds, and plug it in again securely.
2. Check for a blown circuit fuse or a tripped main circuit breaker. If these seem to be operating properly, test the outlet with another appliance.
3. Check to ensure that the control panel is programmed correctly and the timer is set.
4. Check to ensure that the door is securely closed and that the door safety locks have engaged properly.
5. Check that the safety (child) lock has not been activated. See page 10.

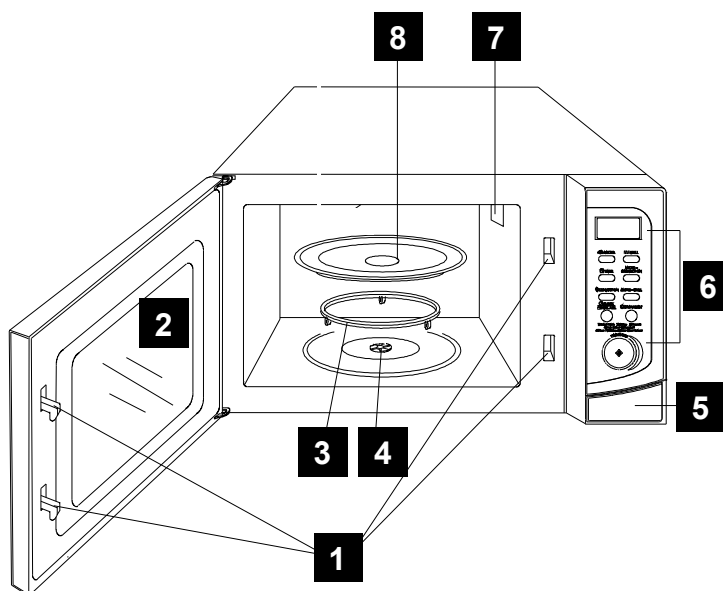
**IF NONE OF THE ABOVE RECTIFIES THE SITUATION,
THEN CONTACT THE NEAREST DEFY SERVICE CENTRE . SEE DETAILS ON PAGE 11
DO NOT TRY TO ADJUST OR REPAIR THE OVEN YOURSELF.**

UTENSIL GUIDE

1. Glass or Pyrex dishes allow energy to pass through the utensil and heat the food.
2. Microwaves cannot penetrate metal, so don't use metal dishes or utensils. Neither use any dish which has metallic decorations or a gold-foiled pattern.
3. Do not use recycled paper products when microwave cooking, as these may contain small metal fragments which may cause sparks and or fires.
4. Use round or oval dishes rather than square or oblong ones, as food in corners tends to overcook.
5. Narrow strips of aluminum foil may be used to prevent overcooking of exposed areas.(on drum stick ends and such) But be keep a distance of at least 1 inch (2.54cm) between the foil and the cavity to prevent arching.

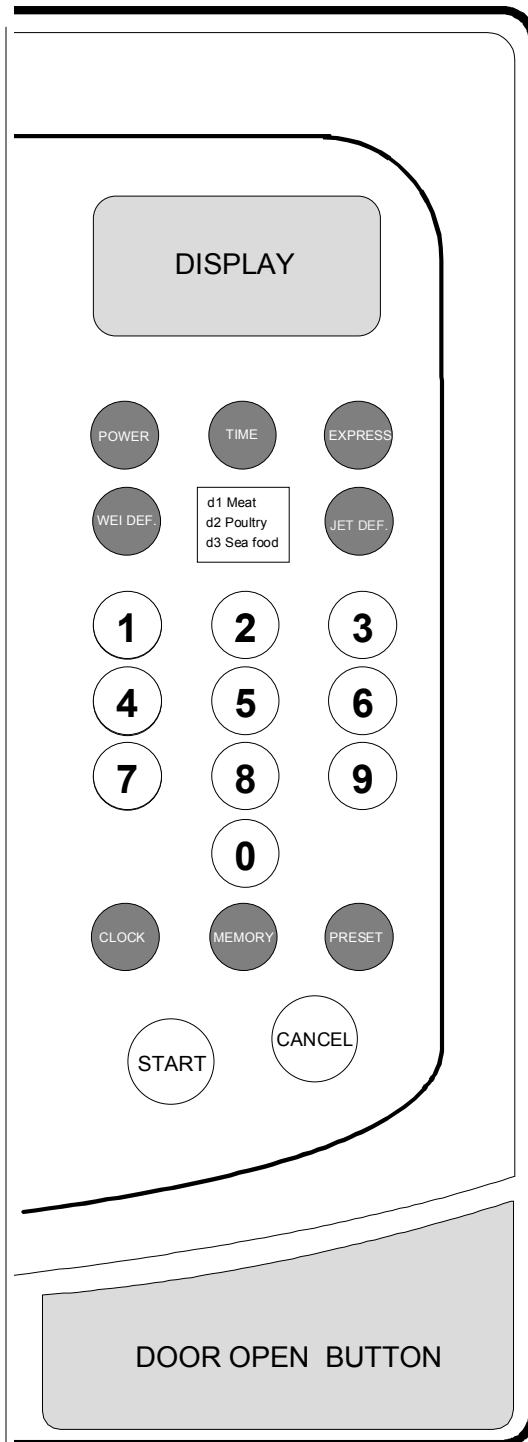
COOKWARE	MICROWAVE COMPATIBLE
Heat resistant glass	Yes
Non heat resistant glass	No
Heat resistant ceramics	Yes
Microwave compatible plastic dishes	Yes
Paper toweling	Yes — with caution
Metal dishes or utensils	No
Metal trays or racks	No
Aluminium foil containers	No

SCHEMATIC — Part names.



1. Door safety lock system.
2. Oven window.
3. Turn table roller.
4. Turn table shaft.
5. Door release button.
6. Control panel.
7. Wave guide.
8. Glass tray.

CONTROL PANEL



DISPLAY

Cooking time, power indicators and present time are displayed.

POWER PAD.

Use to set power level. To check power level during time cooking, touch POWER pad.

TIME PAD.

Use to set cooking time.

EXPRESS PAD.

Use this feature to program the oven for 4 popular microwave timing at HIGH power.

WEI. DEF.(WEIGHT DEFROST) PAD.

Use to defrost frozen meat, poultry and seafood by weight. The defrosting time and power level are automatically set once the food category and the weight are programmed.

JET DEF. PAD.

Touch to set defrosting time; the oven automatically divides the defrosting time into periods of alternating defrost and stand times by cycling on and off.

NUMBER PADS (0-9)

Touch to set time or weight.

CLOCK PAD.

Use to set the time of day or recall the time of day.

MEMORY PAD.

When programming the oven to cook by time, use the MEMORY pad when setting both the 1st and the 2nd cooking stage. The respective lights will come on to indicate which stage the oven is operating in.

PRESET PAD.

Use to set the oven to start-up at a later time.

CANCEL PAD.

Touch to clear the selected power level, cook or defrost times that were previously programmed. Note: the time of day clock cannot be cancelled.

START PAD.

Touch to start the cooking or defrosting programs. The cooking indicator light and the oven light will turn on and the cooling fan will operate.

SETTING THE OVEN CONTROLS.

SETTING THE CLOCK.

1. Touch the CLOCK pad.
2. Touch the CANCEL pad.
3. Use the NUMBER pads to enter the correct time. You must touch at least three numbers to set the clock (one for the hour and two for minutes).
4. Touch the CLOCK pad again.

NOTE: This is a 12-hour clock. When the oven was plugged in, "1:01" should have appeared in the display. To reset the time of day, repeat the steps given above. You can check the clock time while cooking is in progress by touching the CLOCK pad.

SETTING COOKING TIMES AND POWER LEVELS.

(A) One-stage Cooking.

1. Touch the TIME pad.
2. Use the NUMBER pads to set a cooking time. You can set a cooking time from one second to 99 minutes and 99 seconds. If you are setting a time greater than one minute, you must enter numbers for both minutes and seconds. For example, to set 20 minutes, enter **2** then **0** then **0** then **0**.
3. If you want to set a power level other than 100% power, touch the POWER pad, and then use the number pads to enter the power level.
4. Touch the START button to start cooking.

(B) **Two-stage Cooking** Some recipes require a two stage cooking process at different temperatures.

Stage 1.

1. Follow steps 1 and 2 in "One-stage Cooking" above.
DO NOT TOUCH THE START PAD.

Stage 2

1. Touch the MEMORY pad then enter the required cooking time and a lower power level. Most 2-stage recipes use a lower power level for the second stage.
2. Touch START pad.

NOTE: The respective lights will come on to indicate the stage the oven is operating in. After a cooking or defrosting program is completed, the oven will automatically continue to sound a tone every two minutes until the door is opened or the CANCEL pad is touched.

PRESET.

Suppose you wish the oven to start at later time.

1. Touch the PRESET pad.
2. Touch the number pads to enter the desired (later) time.
3. Set the cooking programme.
4. Touch the START pad.

NOTE: Be sure the clock is set at the correct time of day before programming PRESET.

PRESS TO SELECT POWER LEVELS	
Number pad	% of Power
1+0	100%
9	90%
8	80%
7	70%
6	60%
5	50%
4	40%
3	30%
2	20%
1	10%
0	0%

EXPRESS.

This facility offers 4 popular microwave time settings.

With each touch of the EXPRESS pad you can program the oven for:

- 15 secondsTOUCH ONCE.
- 30 seconds.....TOUCH TWICE.
- 1 minute.....TOUCH 3 TIMES.
- 2 minutes.....TOUCH 4 TIMES.

The oven will operate at HIGH power (100% power output) for the EXPRESS cooking programme.

Suppose you want to set the oven to cook for 1 minute at 100% by using this feature:

1. Touch the EXPRESS pad 3 times.
2. "1:00" will appear in the display.
3. Touch the START pad.

SETTING "JET" DEFROST.

1. Touch the Jet DEFROST button.
2. Enter the desired defrosting time by touching the relevant number pads.
3. Touch the START pad.

..

SETTING "WEI." (WEIGHT) DEFROST

Suppose you wish to defrost 500 g of fish.

1. Touch the WEI. DEF. pad 3 times. "d3" will appear in the display.
2. Use the number pads to enter food weight.
3. Touch the START pad.

FOOD	MAXIMUM WEIGHT	DISPLAY
Meat	2300g	d1
Poultry	4000g	d2
Seafood	900g	d3

NOTE: The maximum allowable weight for each category is shown >>>.

If you programme weight in excess of the maximum recommended, the oven will not operate properly.

Use the JET DEFROST programme for foods exceeding these maximum weights.

NOTE: Jet defrost and Wei. defrost can only be selected before the cooking stage in a programme and can not be selected between or after stage1 or stage 2.

PROGRAMME COOKING.

The oven has the ability to be programmed to do several consecutive functions.

Suppose you want set the following cooking program:

① JET DEFROST,

② 1st stage: Cook for 5 minutes at 100%,

③ 2nd stage: Cook for 10 minutes at 50%.

1. Touch CANCEL pad,
2. Input jet defrost program,
3. Touch MEMORY pad,
4. Input time (5 minutes) and power level (100%) cooking program,
5. Touch MEMORY pad,
6. Input time (10 minutes) and power level (50%) cooking program,
7. Touch START pad.

SETTING THE SAFETY (CHILD) LOCK.

Use the child lock to prevent unsupervised operation of the oven by little children.

The CHILD LOCK indicator will show up on the display and the oven can not be operated while CHILD LOCK is set.

To set the CHILD LOCK:

1. Press and hold the CANCEL button for 3 seconds, a beep sounds and the LOCK indicator lights up in the display.
2. To cancel the CHILD LOCK: Press and hold the CANCEL button for 3 seconds until the LOCK indicator in the display goes off.

CLEANING AND CARE.

Turn off the oven and remove the power plug from the wall socket before cleaning.

1. Keep the inside of the oven clean. When food splatters or spilled liquids adhere to oven walls, wipe with a damp cloth. Mild detergent may be used if the oven gets very dirty. Avoid the use of aerosols and other harsh cleaners as these may stain, streak or dull the door surface.
2. The outside surfaces should be cleaned with a damp cloth. To prevent damage to the operating parts inside the oven, water should not be allowed to seep into the ventilation slots.
3. Wipe the door and window (both sides), the door seals and adjacent parts frequently with a damp cloth to remove any spills or spatters. Do not use any abrasive cleaners.
4. Do not allow the control panel to become wet. Clean with a soft, damp cloth. When cleaning the control panel, leave the oven door open to prevent the oven from accidentally switching on.
5. If steam accumulates inside or around the outside of the oven door, wipe it with a soft cloth. This may occur when the microwave oven is operated under high humidity conditions and is normal.
6. It is occasionally necessary to remove the glass tray for cleaning. Wash the tray in warm sudsy water or in a dishwasher.
7. The roller ring and oven floor should be cleaned regularly to avoid excessive noise. Simply wipe the bottom surface of the oven with a mild detergent. The roller ring may be washed in mild sudsy water or in a dishwasher. When removing the roller ring from cavity floor for cleaning, be sure to replace in the correct position.
8. Remove odours from your oven by combining a cup of water with the juice and the skin of one lemon in a deep microwave proof bowl, microwave for 5 minutes. Wipe thoroughly and dry with a soft cloth.
9. If it becomes necessary to replace the oven lamp, please consult a Defy Service Centre to have it replaced.
Please note that replacement lamps are not covered by the warranty. See page 12 section 5
10. The oven should be cleaned regularly and any food deposits removed. Failure to maintain the oven in a clean condition could lead to deterioration of the surface that could adversely affect the life of the appliance. It could also constitute a fire risk.
11. Please do not dispose this appliance at the local dump. It should be disposed of at a disposal center provided by the municipality.

SERVICE CENTRES

If you have followed the instructions and still have a problem, contact the nearest Defy Service Centre. They will be able to advise you on any aspect of the product or send a qualified technician to repair it.

BLOEMFONTEIN 160 Long Street, Hilton,
Bloemfontein 9301.
Tel. 051 400 3900
Bloemfontein.Service@defy.co.za

CAPE TOWN 5A Marconi Rd.
Montague Gardens, 7441.
Tel. 021 551 8314
CapeTown.Service@defy.co.za

DURBAN 35 Intersite Avenue,
Umgeni Business Park, Durban 4051.
Tel. 031 268 3300
Durban.Service@defy.co.za

EAST LONDON 16 Bowls Rd. Arcadia,
East London 5201.
Tel. 043 743 7100
EastLondon.Service@defy.co.za

JOHANNESBURG Cnr. Mimetes & Kruger Sts. Denver ext.12
Commercial Head Office, Johannesburg. 2094.
Administration, Distribution, National Groups, Tel. 011 621 0200 or 011 621 0300
Sales, Contracts and Credit. Gauteng.Service@defy.co.za

POLOKWANE 87 Nelson Mandela Drive.
Superbia 0699.
Tel. 0152 92 1166 / 7 / 8 / 9.
Polokwane.Service@defy.co.za

PORT ELIZABETH 112 Patterson Road,
North End, Port Elizabeth 6001.
Tel. 041 401 6400
PortElizabeth.Service@defy.co.za

PRETORIA. Block A1 Old Mutual Industrial Park.
Cnr. D.F.Malan Drive & Moot Str.
Hermanstad. 0082.
Tel. 012 377 8300
Pretoria.Service@defy.co.za

**OTHER AREAS ARE SERVICED BY OVER 200 AUTHORISED SERVICE AGENTS.
PLEASE CONSULT THE NEAREST REGIONAL DEFY SERVICE CENTRE FOR DETAILS**

WARRANTY

- 1 This certificate is issued by DEFY APPLIANCES LIMITED manufacturers of Defy and Ocean products, hereinafter the Company, to the original purchaser only, of the appliance described on the certificate and shall constitute the only warranty given in respect of this appliance.
- 2 The Company warrants to the original purchaser that for a period of TWO YEARS from date of purchase the appliance is free from defect under normal domestic use, both in workmanship and material, subject to the following conditions.
- 3 Repair or replacement of any part of this appliance, found by the Company to be defective, shall be at the election of the Company. The Company reserves the right to effect such service through any of its Service Divisions or Authorised Service Dealers. The cost of such service shall be borne by the Company in full, provided that the appliance is located no further than 50 km from a Company Service Centre or an Authorised Service Dealer. Where the appliance is located beyond the 50 km radius, the purchaser shall be liable for the standard travelling charges, as determined by the Company.
- 4 **Carry-in service. Microwave ovens are repaired in our service centres and are not collected from the customers home. Faulty units should be delivered to the purchasing dealer or to the nearest Company Service Centre for warranty repairs.**
- 5 Rusted or corroded plates, vitreous enamelware, fuses and lamps are specifically excluded from these warranties. It is an express condition of these warranties that the purchaser takes due care and attention in the use and maintenance of the appliance. Abuse, misuse in conflict with operating instructions, connection to incorrect voltages and subjection to commercial use shall release the Company from its obligations.
- 6 This warranty shall become void and cease to operate if the appliance is dismantled by, or any repairs to the appliance are effected by any persons not duly authorised by the Company, or if substitute parts not approved by the Company are used in the appliance, or if the serial number of the appliance is removed.
- 7 The Company shall not be responsible for damages resulting from fire, flood, civil disturbances or any Act of God. The Company shall not, in terms of these warranties be responsible nor held liable for any consequential loss or damage of any kind caused by or due to the failure or malfunction of the appliance.
- 8 The Company shall not be responsible for transportation or other costs other than those incurred within the provisions of Point 1 of this Certificate.
- 9 These warranties shall not apply to the appliance if it is purchased or used beyond the borders of the Republic of South Africa, Namibia, Botswana, Swaziland and Lesotho.
- 10 Where service is requested under warranty and no fault or defect can be found by the Company, all costs incurred will be for the purchaser's account.
- 11 This Certificate as well as your invoice will serve as proof of purchase. For the purpose of warranty, it will be essential to produce this Certificate and invoice. Failure to do so, will render the purchaser liable for service costs.

**KEEP THIS CERTIFICATE AND SALES INVOICE AS PROOF OF
PURCHASE FOR WARRANTY PURPOSES.**

Free Manuals Download Website

<http://myh66.com>

<http://usermanuals.us>

<http://www.somanuals.com>

<http://www.4manuals.cc>

<http://www.manual-lib.com>

<http://www.404manual.com>

<http://www.luxmanual.com>

<http://aubethermostatmanual.com>

Golf course search by state

<http://golfingnear.com>

Email search by domain

<http://emailbydomain.com>

Auto manuals search

<http://auto.somanuals.com>

TV manuals search

<http://tv.somanuals.com>