



# Delfield®

## ST4464N MEGA TOP

### Front-Breathing Self-Contained Compact Mega Top Refrigerators

Project \_\_\_\_\_

Item \_\_\_\_\_

Quantity \_\_\_\_\_

CSI Section 11400

ST4464N MEGATOP FRONT-BREATHING SELF-CONTAINED COMPACT MEGA TOP REFRIGERATORS

#### MODELS:

**ST4464N-12M** Two section with doors  
Twelve pan capacity

**STD4464N-12M** Two section with drawers  
Twelve pan capacity

**ST4464N-18M** Two section with doors  
Eighteen pan capacity

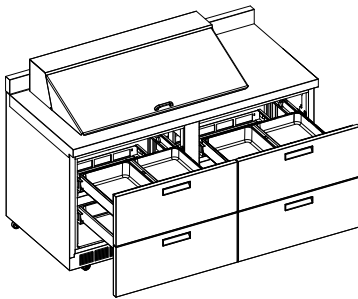
**STD4464N-18M** Two section with drawers  
Eighteen pan capacity

#### STANDARD FEATURES

- Patented air screen ensures product stays cold without drying it out
- All 4400 Series units are 100% front breathing, which allows the unit to be pushed against a wall or built into a cabinet or an existing line up
- Durable, rugged stainless steel sides, top and front
- Features Delfield's exclusive ABS interior (on sides). ABS is extremely durable - it won't dent, chip or corrode and is backed by a limited lifetime warranty
- Delfield supplies 1/6 size pans and adapter bars for top opening
- Mega top refrigerators are standard with 8" wide, dishwasher safe polyethylene cutting board treated with antimicrobial agent
- "D" prefix models feature Delfield's new drawer system. Drawers are backed by a 10-year warranty on the track assembly
- Environmentally friendly R404A refrigerant
- High density foamed in place polyurethane keeps energy costs low
- Black recessed quick grip handle
- Standard on 2" casters for easy cleaning and installation
- 7' cord and plug supplied
- Cord spring relief - prevents cord rollover
- One epoxy coated wire shelf standard, installed per door section
- ACT solid state electronic control
- "ST" models have a 4" stainless steel backsplash
- One year parts and 90 day labor standard warranty.

#### OPTIONS AND ACCESSORIES

- Flat lift off cover
- 18" wide single tier overshef
- Stainless steel finish on back
- Plastic laminate on front
- Additional wire shelves
- Door lock
- Exterior thermometer
- Glass door(s)
- \*220V/50 Hertz electrical system  
\*Inclusion of this option will alter electrical specifications of the unit.



Model STD4464N-18M



#### SPECIFICATIONS

Exterior top is one-piece 22-gauge stainless steel with integral 2.12" (5.1cm) square nosing on the front. Telescoping lid is constructed of 20-gauge stainless steel. Top opening can accept 12, 18 or 24 1/6 size plastic pans 4"-6" (10.1cm-15.2cm) deep. Adapter bars and 1/6 size pans are supplied by Delfield. Temperature in top openings maintains 33°F (1°C) to 41°F (5°C), with pans recessed 2.5" (6.4cm) at 86°F ambient room temperature, meeting NSF 7 requirements. One 64" x 8" x .5" (162.9cm x 20.3cm x 1.3cm) polyethylene cutting board treated with antimicrobial agent is mounted on the top at the front edge.

**Exterior back and bottom** are two-piece 24-gauge galvanized steel. Exterior ends are stainless steel.

**Interior sides** are thermoformed ABS plastic with shelf supports. Base is fully insulated with high-density foamed in place polyurethane.

**Refrigeration system** uses HFC-404A refrigerant. Compressor is 1/2 H.P., with condenser coil and hot gas condensate evaporator mounted on rear of the cabinet. Evaporator coils and temperature control are located on the interior rear wall of the cabinet. Refrigerant flow is controlled by a capillary tube. Cabinet maintains an interior cabinet temperature of 36°F to 40°F (2°C to 4°C).

**ACT control.** ACT electronic, solid state control, mounted on the exterior rear of the cabinet, allows unit to maintain precise temperatures in heavy duty conditions.

**Electrical connections** are 115 volt, 60 Hertz, single phase. Unit has a 7' (2.1m) long electrical cord and NEMA 5-15P plug.

**Casters:** Equipment is mounted on 2" (5.08cm) diameter plate casters with front two locking. Equipment clearance above the floor is 2.5" (6.35cm).

**Doors** have a 24-gauge stainless steel exterior, with thermoformed ABS plastic interior liner. Cabinet has one adjustable epoxy-coated wire shelf per door opening.

**Drawers** have 24-gauge stainless steel exterior with thermoformed ABS plastic interior liner. Drawer frames are 12-gauge stainless steel. Drawer slides are 11-gauge stainless steel with stainless steel bearings. Each top drawer holds two 12" x 20" (30.5cm x 50.8cm) pans 4"-6" (10.1cm-15.2cm) deep. Each bottom drawer holds two 12" x 20" (30.5cm x 50.8cm) pans 4" (10.1cm) deep. Pans are supplied by others.



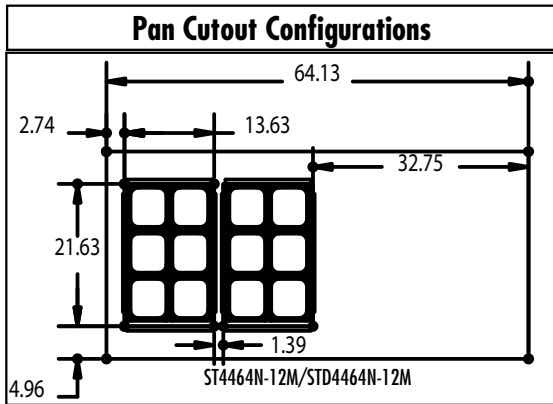
980 S. Isabella Road  
Mt. Pleasant, MI 48858  
www.delfield.com

Phone: 800-733-8948  
Fax: 800-669-0619  
Email: info@delfield.com

Approval \_\_\_\_\_

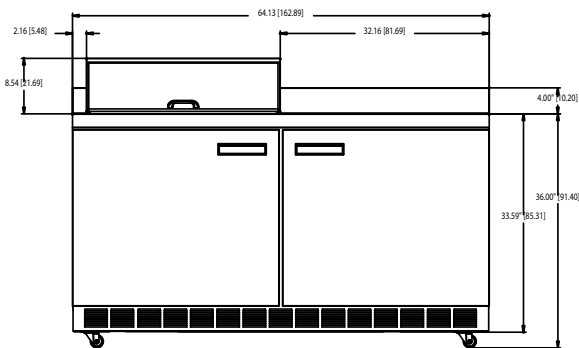
Date \_\_\_\_\_

# ST4464N Front-Breathing Self-Contained Compact MegaTop Refrigerators

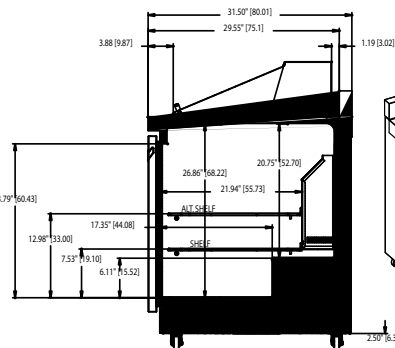


**INSTALLATION NOTE:**  
Refrigeration system is designed so that air will flow under the unit, through the compressor area and out the front of the unit. Any restriction to this air flow path will void the warranties.

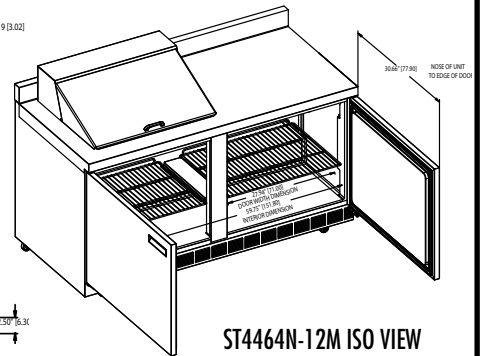
**PLEASE NOTE:**  
Air flow through the louver on the back of the unit is not necessary for operation, however, any air which passes through the louver is beneficial.



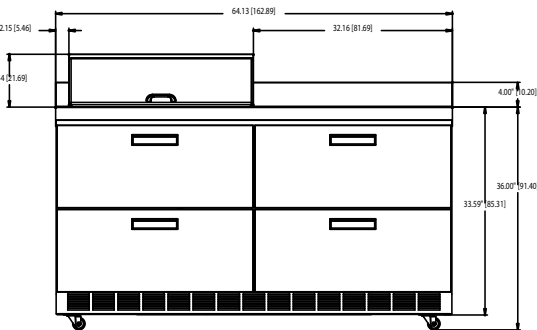
ST4464N-12M ELEVATION VIEW



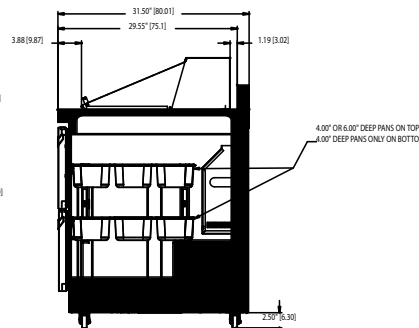
ST4464N-12M RIGHT SIDE VIEW



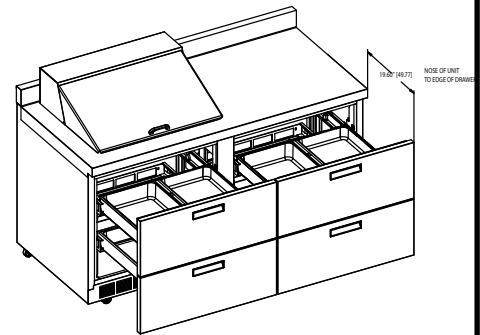
ST4464N-12M ISO VIEW



STD4464N-12M ELEVATION VIEW



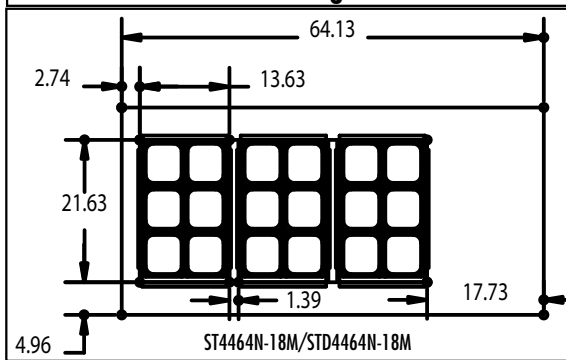
STD4464N-12M RIGHT SIDE VIEW



STD4464N-12M ISO VIEW

# ST4464N Front-Breathing Self-Contained Compact MegaTop Refrigerators

## Pan Cutout Configurations

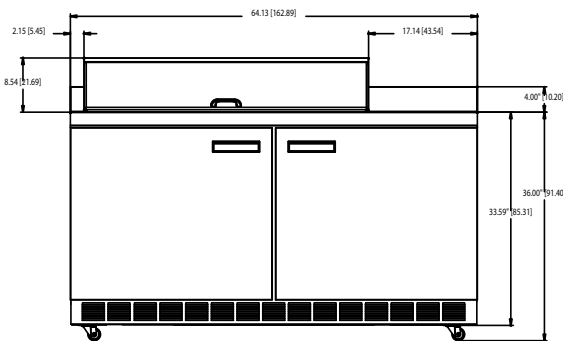


### INSTALLATION NOTE:

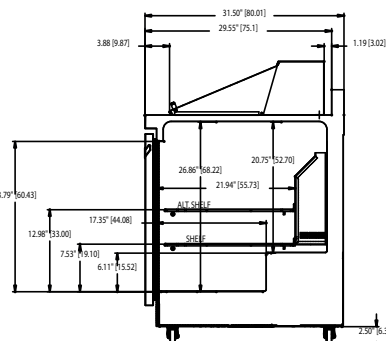
Refrigeration system is designed so that air will flow under the unit, through the compressor area and out the front of the unit. Any restriction to this air flow path will void the warranties.

### PLEASE NOTE:

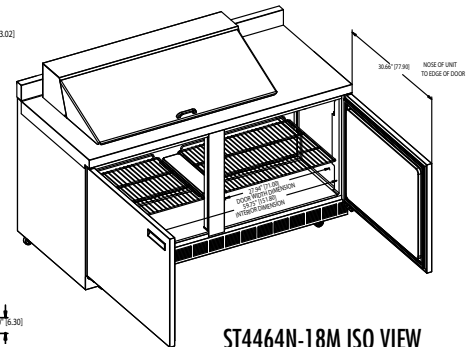
Air flow through the louver on the back of the unit is not necessary for operation, however, any air which passes through the louver is beneficial.



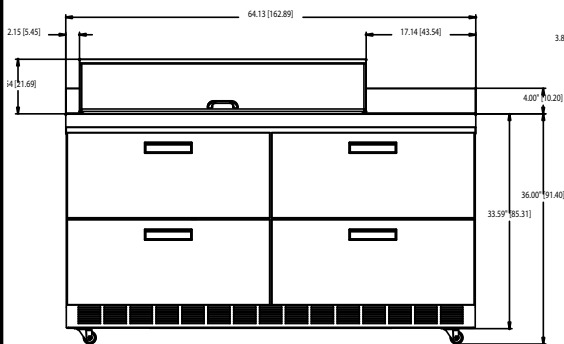
ST4464N-18M ELEVATION VIEW



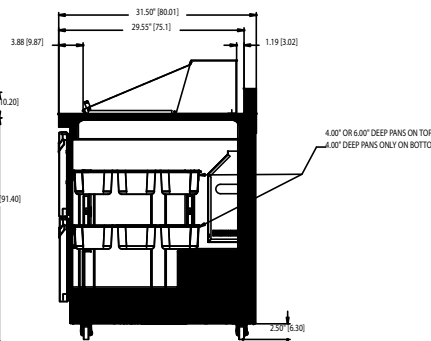
ST4464N-18M RIGHT SIDE VIEW



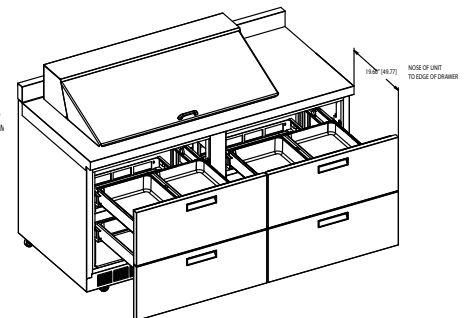
ST4464N-18M ISO VIEW



STD4464N-18M ELEVATION VIEW



STD4464N-18M RIGHT SIDE VIEW



STD4464N-18M ISO VIEW

## Mechanical Data—Standard Unit

MODEL NUMBER	1/6 SIZE PAN CAPACITY	#OF SHELVES	SHELF AREA. SQ. FT.	STORAGE CAP. CU. FT.	H.P.	VOLTS/HERTZ/PHASE	AMPS	NEMA PLUG	SHIP WEIGHT
ST4464N-12M	12	2	7.94	16.7	1/2	115/60/1	12.0	5-15P	435 lbs/ 197 kg
STD4464N-12M	12	N/A	N/A	5.4	1/2	115/60/1	12.0	5-15P	470 lbs/ 213 kg
ST4464N-18M	18	2	7.94	16.7	1/2	115/60/1	12.0	5-15P	435 lbs/ 197 kg
STD4464N-18M	18	N/A	N/A	5.4	1/2	115/60/1	12.0	5-15P	470 lbs/ 213 kg



980 S. Isabella Road  
Mt. Pleasant, MI 48858  
[www.delfield.com](http://www.delfield.com)

Phone: 800-733-8948  
Fax: 800-669-0619  
Email: [info@delfield.com](mailto:info@delfield.com)

Printed in the USA.  
03/08  
DSST4464NM

## Free Manuals Download Website

<http://myh66.com>

<http://usermanuals.us>

<http://www.somanuals.com>

<http://www.4manuals.cc>

<http://www.manual-lib.com>

<http://www.404manual.com>

<http://www.luxmanual.com>

<http://aubethermostatmanual.com>

Golf course search by state

<http://golfingnear.com>

Email search by domain

<http://emailbydomain.com>

Auto manuals search

<http://auto.somanuals.com>

TV manuals search

<http://tv.somanuals.com>