

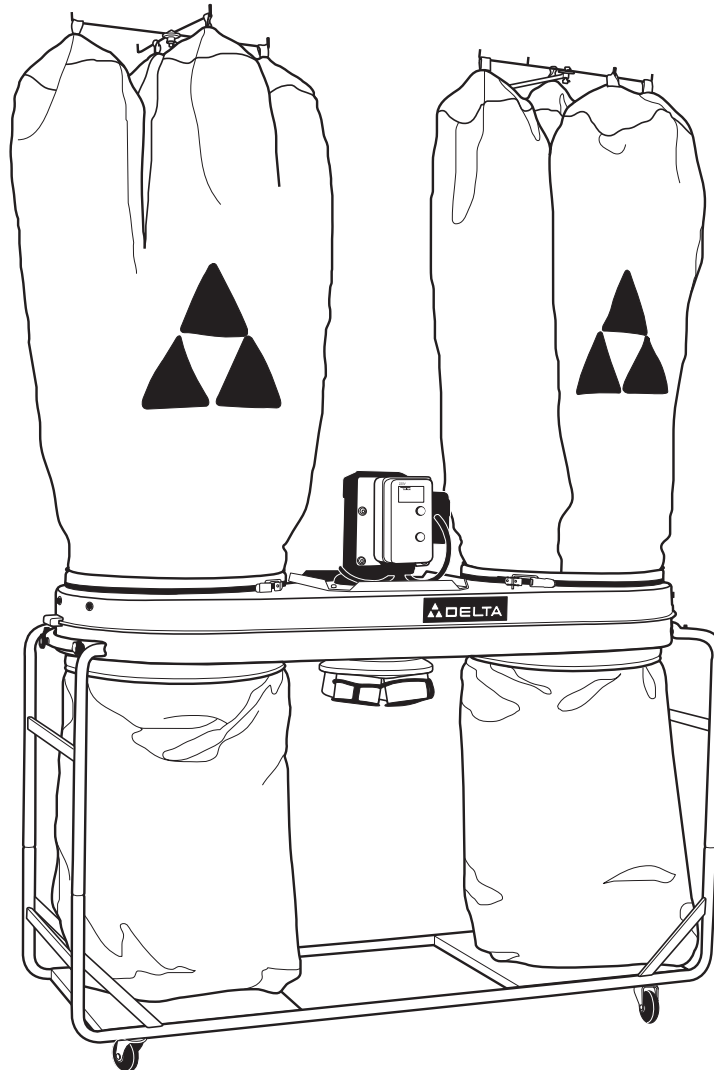


50-764
50-765

5 H.P. Dust
Collector

5 H.P.
Dépoussiéreur

Recolector de
polvo de 5 H.P.



Instruction Manual
Manuel d'Utilisation
Manual de Instrucciones

FRANÇAIS (17)

ESPAÑOL (31)

A17000 - 04-21-06
Copyright © 2004, 2006 Delta
Machinery

www.deltamachinery.com
(800) 223-7278 - US
(800) 463-3582 - CANADA

TABLE OF CONTENTS

IMPORTANT SAFETY INSTRUCTIONS	2
SAFETY GUIDELINES - DEFINITIONS	3
TOOL WARNING LABEL	3
GENERAL SAFETY RULES	4
ADDITIONAL SPECIFIC SAFETY RULES	5
FUNCTIONAL DESCRIPTION	6
CARTON CONTENTS	7
ASSEMBLY	8
OPERATION	14
TROUBLESHOOTING GUIDE	15
MAINTENANCE	15
SERVICE	15
ACCESSORIES	16
WARRANTY	16
FRANÇAIS	17
ESPAÑOL	31

IMPORTANT SAFETY INSTRUCTIONS

▲ WARNING Read and understand all warnings and operating instructions before using any tool or equipment. When using tools or equipment, basic safety precautions should always be followed to reduce the risk of personal injury. Improper operation, maintenance or modification of tools or equipment could result in serious injury and property damage. There are certain applications for which tools and equipment are designed. Delta Machinery strongly recommends that this product NOT be modified and/or used for any application other than for which it was designed.

If you have any questions relative to its application DO NOT use the product until you have written Delta Machinery and we have advised you.

Online contact form at www.deltamachinery.com

Postal Mail: Technical Service Manager
Delta Machinery
4825 Highway 45 North
Jackson, TN 38305

Information regarding the safe and proper operation of this tool is available from the following sources:

Power Tool Institute
1300 Sumner Avenue, Cleveland, OH 44115-2851
www.powertoolinstitute.org

National Safety Council
1121 Spring Lake Drive, Itasca, IL 60143-3201

American National Standards Institute, 25 West 43rd Street, 4 floor, New York, NY 10036 www.ansi.org
ANSI 01.1 Safety Requirements for Woodworking Machines, and

the U.S. Department of Labor regulations www.osha.gov

SAVE THESE INSTRUCTIONS!

SAFETY GUIDELINES - DEFINITIONS

It is important for you to read and understand this manual. The information it contains relates to protecting YOUR SAFETY and PREVENTING PROBLEMS. The symbols below are used to help you recognize this information.

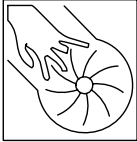
- ⚠ DANGER** Indicates an imminently hazardous situation which, if not avoided, will result in death or serious injury.
- ⚠ WARNING** Indicates a potentially hazardous situation which, if not avoided, could result in death or serious injury.
- ⚠ CAUTION** Indicates a potentially hazardous situation which, if not avoided, may result in minor or moderate injury.
- CAUTION** Used without the safety alert symbol indicates potentially hazardous situation which, if not avoided, may result in property damage.

⚠ WARNING WHEN USING THIS DUST COLLECTOR, DO NOT PICK UP ANYTHING THAT IS BURNING, SMOLDERING OR SMOKING, SUCH AS MATCHES, CIGARETTES, OR HOT ASHES.

⚠ WARNING DO NOT USE TO VACUUM COMBUSTIBLE EXPLOSIVE MATERIALS, SUCH AS COAL, GRAIN OR OTHER FINELY DIVIDED COMBUSTIBLE MATERIAL.

⚠ WARNING DO NOT USE TO VACUUM HAZARDOUS, TOXIC, OR CARCINOGENIC MATERIALS SUCH AS ASBESTOS, PESTICIDE OR LEAD-BASED PAINT DEBRIS.

TOOL WARNING LABEL

⚠ WARNING	⚠ ADVERTENCIA
<p>To reduce risk of injury from moving parts, keep hands away from air inlet ports. Only operate with inlet ports covered with caps or connected to flexible hose.</p> <p><small>802713</small></p>	<p>Para reducir el riesgo de lesionamiento por piezas en movimiento, desenchufe la máquina antes de limpiar o rendir servicio a las bolsas guardapolvo. No opere la máquina sin conectar la bolsa guardapolvo al puerto de salida o sin la rejilla ajustada para tapar el puerto de salida.</p>
	

⚠ WARNING

FOR YOUR OWN SAFETY

1. READ AND UNDERSTAND INSTRUCTION MANUAL BEFORE OPERATING DUST COLLECTOR.
2. To reduce the risk of electrical shock, do not use on wet surfaces. Do not expose to rain. Store indoors. Use only for dry pick-up.
3. To reduce risks of injury from moving parts, unplug before cleaning or servicing dust bags and hose. Do not operate without hose connected to inlet port and bags in place.
4. Collect wood materials only. Never use the collector to pick up metal shavings, dust or parts.
5. Do not use to pick up flammable or combustible liquids, such as gasoline. Never use your dust collector near any flammable or combustible liquids. Sparks can ignite vapors and cause an explosion.
6. Dust generated by certain woods and wood products can be hazardous to your health. Always wear eye protection and use face or dust mask in dust laden environments.
7. Do not operate without dust bags in place.
8. Do not expose to rain or use in damp locations.

⚠ ADVERTENCIA

PARA SU PROPIA SEGURIDAD

1. LEA Y ENTIENDA EL MANUAL DE INSTRUCCIONES ANTES DE OPERAR EL RECOLECTOR DE POLVO.
2. Para reducir el riesgo de los choques eléctricos, no use la máquina sobre superficies mojadas. No la exponga a la lluvia. Almacénela bajo techo. Solamente use para recoger seco.
3. Para reducir el riesgo de lesionamiento por piezas en movimiento, desenchufe la máquina antes de limpiar o rendir servicio a las bolsas guardapolvo y la manguera. No opere la máquina sin conectar para recoger virutas, polvo o piezas metálicas.
4. Recolecte materiales de madera solamente. Jamás utilice el recolector para recoger virutas, polvo o piezas metálicas.
5. No lo utilice para recoger líquidos inflamables o combustibles tales como la gasolina. Jamás utilice su recolector de polvo cerca de líquidos inflamables o combustibles. Las chispas pueden producir la ignición de los vapores y ocasionar una explosión.
6. El polvo generado por ciertas maderas y productos de madera puede ser perjudicial a la salud. Utilice protección ocular siempre y utilice una careta facial o careta contra polvo en entornos saturados de polvo.
7. No lo opere sin las bolsas guardapolvo en sus respectivos sitios.
8. No exponga a la intemperie ni tampoco haga uso de la herramienta en lugares húmedos.

A04489

GENERAL SAFETY RULES

▲WARNING Failure to follow these rules may result in serious personal injury.

- 1. FOR YOUR OWN SAFETY, READ THE INSTRUCTION MANUAL BEFORE OPERATING THE MACHINE.** Learning the machine's application, limitations, and specific hazards will greatly minimize the possibility of accidents and injury.
- 2. WEAR EYE AND HEARING PROTECTION. ALWAYS USE SAFETY GLASSES.** Everyday eyeglasses are NOT safety glasses. USE CERTIFIED SAFETY EQUIPMENT. Eye protection equipment should comply with ANSI Z87.1 standards. Hearing equipment should comply with ANSI S3.19 standards.
- 3. WEAR PROPER APPAREL.** Do not wear loose clothing, gloves, neckties, rings, bracelets, or other jewelry which may get caught in moving parts. Nonslip protective footwear is recommended. Wear protective hair covering to contain long hair.
- 4. DO NOT USE THE MACHINE IN A DANGEROUS ENVIRONMENT.** The use of power tools in damp or wet locations or in rain can cause shock or electrocution. Keep your work area well-lit to prevent tripping or placing arms, hands, and fingers in danger.
- 5. MAINTAIN ALL TOOLS AND MACHINES IN PEAK CONDITION.** Keep tools sharp and clean for best and safest performance. Follow instructions for lubricating and changing accessories. Poorly maintained tools and machines can further damage the tool or machine and/or cause injury.
- 6. CHECK FOR DAMAGED PARTS.** Before using the machine, check for any damaged parts. Check for alignment of moving parts, binding of moving parts, breakage of parts, and any other conditions that may affect its operation. A guard or any other part that is damaged **should be properly repaired or replaced with Delta or factory authorized replacement parts.** Damaged parts can cause further damage to the machine and/or injury.
- 7. KEEP THE WORK AREA CLEAN.** Cluttered areas and benches invite accidents.
- 8. KEEP CHILDREN AND VISITORS AWAY.** Your shop is a potentially dangerous environment. Children and visitors can be injured.
- 9. REDUCE THE RISK OF UNINTENTIONAL STARTING.** Make sure that the switch is in the "OFF" position before plugging in the power cord. In the event of a power failure, move the switch to the "OFF" position. An accidental start-up can cause injury. Do not touch the plug's metal prongs when unplugging or plugging in the cord.
- 10. USE THE GUARDS.** Check to see that all guards are in place, secured, and working correctly to prevent injury.
- 11. REMOVE ADJUSTING KEYS AND WRENCHES BEFORE STARTING THE MACHINE.** Tools, scrap pieces, and other debris can be thrown at high speed, causing injury.
- 12. USE THE RIGHT MACHINE.** Don't force a machine or an attachment to do a job for which it was not designed. Damage to the machine and/or injury may result.
- 13. USE RECOMMENDED ACCESSORIES.** The use of accessories and attachments not recommended by Delta may cause damage to the machine or injury to the user.
- 14. USE THE PROPER EXTENSION CORD.** Make sure your extension cord is in good condition. When using an extension cord, be sure to use one heavy enough to carry the current your product will draw. An undersized cord will cause a drop in line voltage, resulting in loss of power and overheating. See the Extension Cord Chart for the correct size depending on the cord length and nameplate ampere rating. If in doubt, use the next heavier gauge. The smaller the gauge number, the heavier the cord.
- 15. SECURE THE WORKPIECE.** Use clamps or a vise to hold the workpiece when practical. Loss of control of a workpiece can cause injury.
- 16. FEED THE WORKPIECE AGAINST THE DIRECTION OF THE ROTATION OF THE BLADE, CUTTER, OR ABRASIVE SURFACE.** Feeding it from the other direction will cause the workpiece to be thrown out at high speed.
- 17. DON'T FORCE THE WORKPIECE ON THE MACHINE.** Damage to the machine and/or injury may result.
- 18. DON'T OVERREACH.** Loss of balance can make you fall into a working machine, causing injury.
- 19. NEVER STAND ON THE MACHINE.** Injury could occur if the tool tips, or if you accidentally contact the cutting tool.
- 20. NEVER LEAVE THE MACHINE RUNNING UNATTENDED. TURN THE POWER OFF.** Don't leave the machine until it comes to a complete stop. A child or visitor could be injured.
- 21. TURN THE MACHINE "OFF", AND DISCONNECT THE MACHINE FROM THE POWER SOURCE** before installing or removing accessories, changing cutters, adjusting or changing set-ups. When making repairs, be sure to lock the start switch in the "OFF" position. An accidental start-up can cause injury.
- 22. MAKE YOUR WORKSHOP CHILDPROOF WITH PADLOCKS, MASTER SWITCHES, OR BY REMOVING STARTER KEYS.** The accidental start-up of a machine by a child or visitor could cause injury.
- 23. STAY ALERT, WATCH WHAT YOU ARE DOING, AND USE COMMON SENSE. DO NOT USE THE MACHINE WHEN YOU ARE TIRED OR UNDER THE INFLUENCE OF DRUGS, ALCOHOL, OR MEDICATION.** A moment of inattention while operating power tools may result in injury.
- 24. ▲WARNING USE OF THIS TOOL CAN GENERATE AND DISBURSE DUST OR OTHER AIRBORNE PARTICLES, INCLUDING WOOD DUST, CRYSTALLINE SILICA DUST AND ASBESTOS DUST.** Direct particles away from face and body. Always operate tool in well ventilated area and provide for proper dust removal. Use dust collection system wherever possible. Exposure to the dust may cause serious and permanent respiratory or other injury, including silicosis (a serious lung disease), cancer, and death. Avoid breathing the dust, and avoid prolonged contact with dust. Allowing dust to get into your mouth or eyes, or lay on your skin may promote absorption of harmful material. Always use properly fitting NIOSH/OSHA approved respiratory protection appropriate for the dust exposure, and wash exposed areas with soap and water.

ADDITIONAL SPECIFIC SAFETY RULES

⚠ WARNING Failure to follow these rules may result in serious personal injury.

⚠ DANGER **DO NOT USE THIS UNIT TO FILTER METAL DUST.** Combining wood and metal dust can create an explosion or fire hazard. This unit is intended to filter non-explosive atmospheres only.

⚠ WARNING **DO NOT USE THIS UNIT TO DISSIPATE FUMES OR SMOKE.** Explosions or fire can result. This dust collector is intended for use where only dry airborne dust is present. Its use should be limited to non-explosive, non-metallic atmospheres.

- DO NOT OPERATE THIS UNIT UNTIL IT IS COMPLETE-LY ASSEMBLED AND INSTALLED ACCORDING TO THE INSTRUCTIONS.** A unit incorrectly assembled can cause injury.
- OBTAIN ADVICE FROM YOUR SUPERVISOR, INSTRUCTOR, OR ANOTHER QUALIFIED PERSON** if you are not thoroughly familiar with the operation of this unit. Knowledge is safety
- FOLLOW ALL WIRING CODES** and recommended electrical connections to prevent electrical shock or electrocution.
- DO NOT PULL THIS UNIT BY THE POWER CORD.** Do not allow the power cord to come in contact with sharp instruments or edges, hot surfaces, or oil or grease. Do not place any weight on top of the power cord. A damaged power cord can cause electrical shock or electrocution.
- SUPPORT THIS UNIT OR SECURELY CLAMP IT TO THE WORK SURFACE WHEN IT IS USED IN A PORTABLE APPLICATION** to eliminate potential injury and/or damage from falling.
- ENSURE THAT THE INTAKE AND EXHAUST AREAS ARE CLEAR PRIOR TO STARTING THE UNIT.** Clogged intakes or exhausts can cause an explosion and/or fire.
- DO NOT USE THE DUST COLLECTOR** to pick up flammable liquids such as gasoline. Do not use the dust collector near flammable or combustible liquids. Explosion and/or fire can occur.
- KEEP ARMS, HANDS, AND FINGERS AWAY FROM THE FAN.** Avoid all exposure to rotating parts to prevent injury.
- DO NOT OPERATE THIS UNIT WITHOUT THE DUST COLLECTION BAG IN PLACE AND PROPERLY SECURED.** Sawdust and other debris can provide the potential for fire and/or explosion and can also cause inhalation problems.
- INSPECT THE DUST BAG FOR CUTS, RIPS, OR TEARS.** Replace damaged bags or vacuum hoses. Sawdust and other debris can provide the potential for fire and/or explosion and can also cause inhalation problems.
- ALWAYS USE THE INTAKE CAPS TO COVER UNUSED DUST PORTS.** Debris can cause damage to the unit and injury.
- DO NOT ATTEMPT TO REMOVE OR REPLACE** the dust collection bag(s) while the unit is connected to the power source. Exposed fan blades can cause severe injuries.
- MAINTAIN THE UNIT IN TOP CONDITION.** Clogged filters can increase the potential for fire or explosion. Follow all instructions for changing and cleaning filters.
- STORE THIS UNIT IN A LOCATION** that eliminates the potential for damage to the power cord. A damaged power cord can cause shock or electrocution. Safely store power cord on the unit to eliminate tripping hazards.
- TURN THE UNIT "OFF" AND DISCONNECT THE UNIT** from the power source before installing or removing accessories, before adjusting or changing set-ups, or when making repairs. An accidental start-up can cause serious injury.
- TURN THE UNIT "OFF",** disconnect the unit from the power source, and clean the table/work area before leaving the area.

SAVE THESE INSTRUCTIONS.

**Refer to them often
and use them to instruct others.**

POWER CONNECTIONS

A separate electrical circuit should be used for your machine. This circuit should not be less than #12 wire and should be protected with a 30 Amp time lag fuse. Before connecting the machine to the power line, make sure the electric current is of the same characteristics as indicated on the machine's specification plate. All line connections should make good contact. Running on low voltage will damage the machine.

⚠ DANGER DO NOT EXPOSE THE MACHINE TO RAIN OR OPERATE THE MACHINE IN DAMP LOCATIONS.

MOTOR SPECIFICATIONS

The 50-764 is wired for 230 volts, 60HZ alternating current. The 50-764 can also be reconfigured to run on 460 volts. The 50-765 is wired for 230V, 60 HZ alternating current.

⚠ DANGER THIS MACHINE MUST BE GROUNDED WHILE IN USE TO PROTECT THE OPERATOR FROM ELECTRIC SHOCK.

The 50-764 and 50-765 dust collectors are not supplied with a power cord. They must be permanently connected to the building's electrical system and grounded according to the National Electrical Code. Since they must be permanently connected to the building's electrical system, extension cords cannot be used with these dust collectors. For instructions on how to wire three phase or single phase motors, check the section "SINGLE AND THREE PHASE WIRING" in this manual.

460 VOLT OPERATION

460 volt operation of the 50-764 requires replacement of the motor starter and reconfiguration of the motor's internal connections. A 460 volt starter is available from most industrial electrical supply dealers and must be installed by a qualified electrician.

⚠ WARNING DO NOT ATTEMPT to wire the machine for 460 volts without replacing the starter. Doing so will cause damage to the machine and personal injury could result.

FUNCTIONAL DESCRIPTION

FOREWORD

The Delta Industrial Models 50-764 and 50-765 are dust collectors that will connect to woodworking machines that accept a 5" diameter hose. The units each come with two 1 micron filter bags and four 6 mil plastic collection bags. The 50-764 has a three phase 230V/460V 5HP motor, while the 50-765 has a single phase 230V 5 HP motor.

CARTON CONTENTS

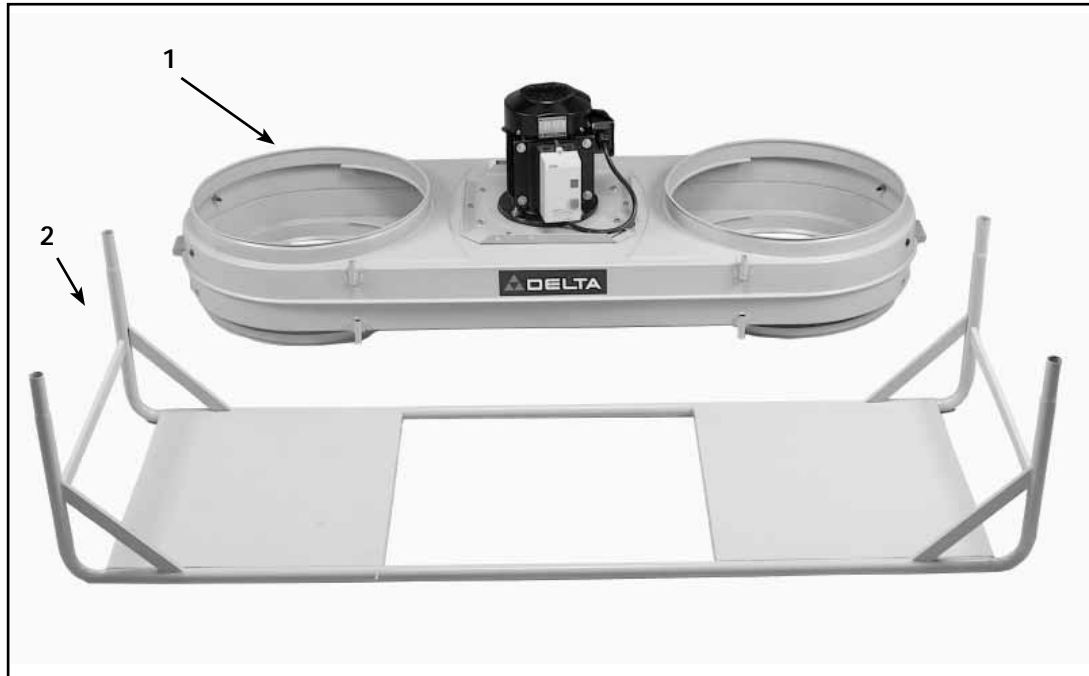


Fig. 1C

1. Motor and blower assembly
2. Stand
3. Dust intake port

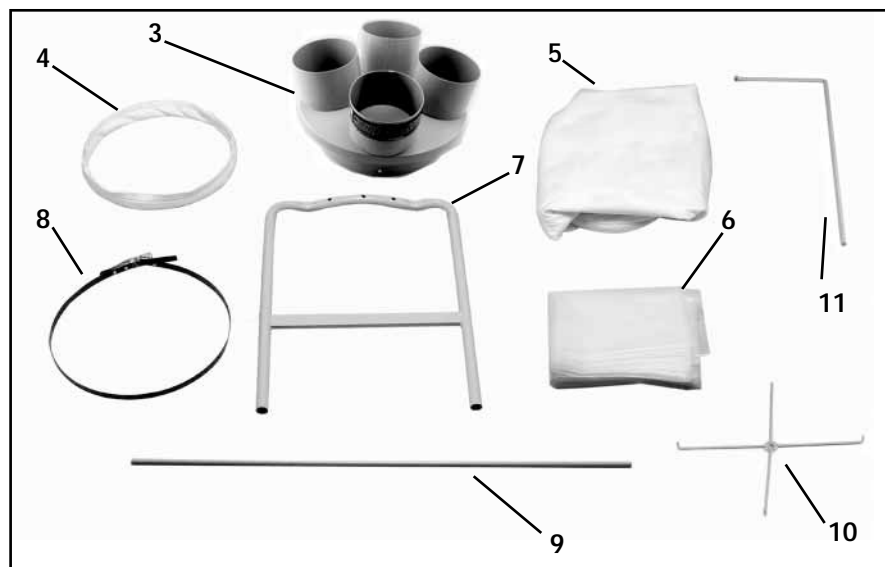


Fig. 1D

4. Cloth-covered bag retainer ring (2)
5. One micron upper filter bag (2)
6. Six mil plastic lower bag (4)
7. Legs (2)
8. Bag retainer clamp (2)
9. Lower bag support pole (2)
10. Bag hanger assembly (2)
11. Upper bag support pole (2)

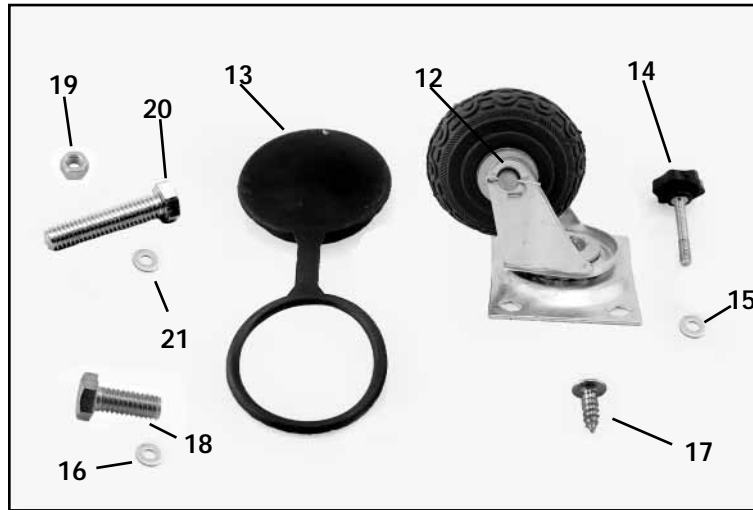


Fig. 1E

- 12. Caster (4)
- 13. Intake cap and ring (4)
- 14. Knob for attaching legs to blower/motor assembly (6)
- 15. 3/8" (9.5mm) Flat washer for knobs (6)
- 16. 5/16" (9mm) Small flat washers for casters (16)
- 17. M4 Sheet metal screw for dust intake port (4)
- 18. 5/16"x3/4" Hex head screw for attaching casters to base (16)
- 19. 5/16" (8mm) Hex nut (2)
- 20. 5/16" (8mm) x 1 1/4" Hex head screw for bag hanger assembly (2)
- 21. 5/16" (8mm) Large washers for bag hanger assembly (2)
- 22. 3/8" washer for bag hanger assembly (2)

UNPACKING AND CLEANING

Carefully unpack the machine and all loose items from the shipping container(s). Remove the rust-preventative oil from unpainted surfaces using a soft cloth moistened with mineral spirits, paint thinner or denatured alcohol.

CAUTION Do not use highly volatile solvents such as gasoline, naphtha, acetone or lacquer thinner for cleaning your machine.

After cleaning, cover the unpainted surfaces with a good quality household floor paste wax.

ASSEMBLY

ASSEMBLY TOOLS REQUIRED

Phillips head screwdriver
12 mm wrench

ASSEMBLY TIME ESTIMATE

Assembly for this machine takes approximately 1-2 hours.

⚠ WARNING FOR YOUR OWN SAFETY, DO NOT CONNECT THE MACHINE TO THE POWER SOURCE UNTIL THE MACHINE IS COMPLETELY ASSEMBLED AND YOU READ AND UNDERSTAND THE ENTIRE INSTRUCTION MANUAL.

⚠ CAUTION THIS MACHINE IS HEAVY. USE TWO OR MORE PEOPLE WHEN LIFTING.

CASTERS

1. Turn stand (A) upside down, as shown in Fig 1F.
2. Align holes in caster assembly (B) with holes in plates on stand. Place small 5/16" flatwasher on a 5/16"x3/4" hex head screw. Insert screw through hole in caster assembly and thread into hole in stand. Repeat for all holes in all casters.
3. Tighten hardware by hand, then set with a 12mm wrench.

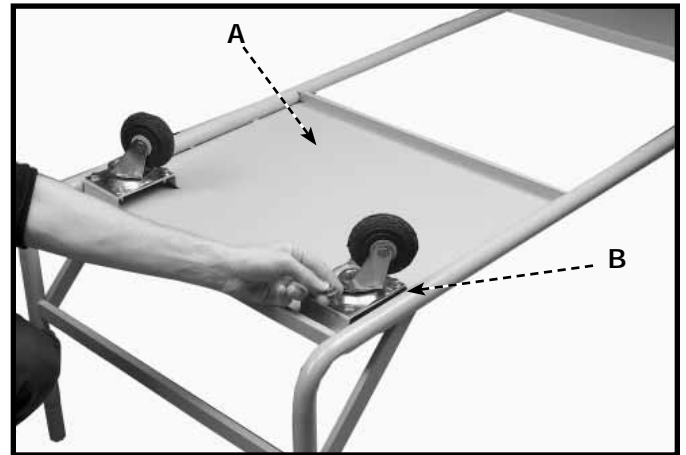


Fig. 1F

LEGS TO MOTOR/BLOWER ASSEMBLY

1. Place motor/blower assembly with the motor down. (Fig. 2)
2. Place 3/8" (18 mm) flatwasher on knob (A) Fig. 2.
3. Align holes (B) on legs with holes (C) in the motor/blower assembly. Legs should extend up. Insert knob through hole (B) in the legs and thread into hole (C) in the motor/blower assembly. Tighten knob securely.
4. Repeat steps for all knobs on both legs.

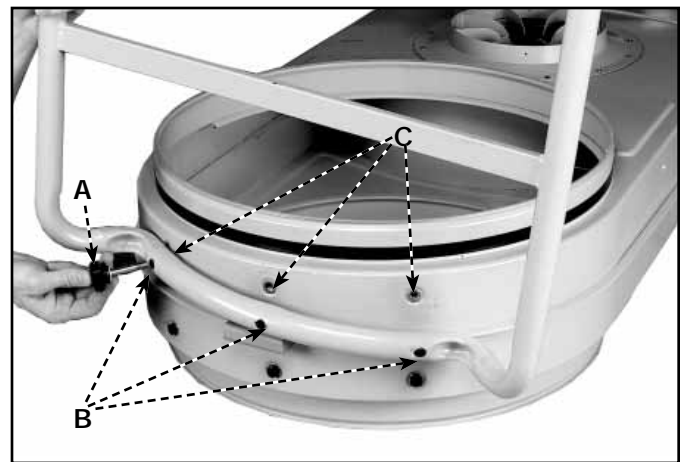


Fig. 2

ATTACHING STAND TO LEGS ON MOTOR/BLOWER ASSEMBLY

NOTE: TWO PEOPLE ARE NEEDED FOR THIS STEP.

Place all four stand posts (A) Fig. 3 into four legs (B) on motor/blower assembly.

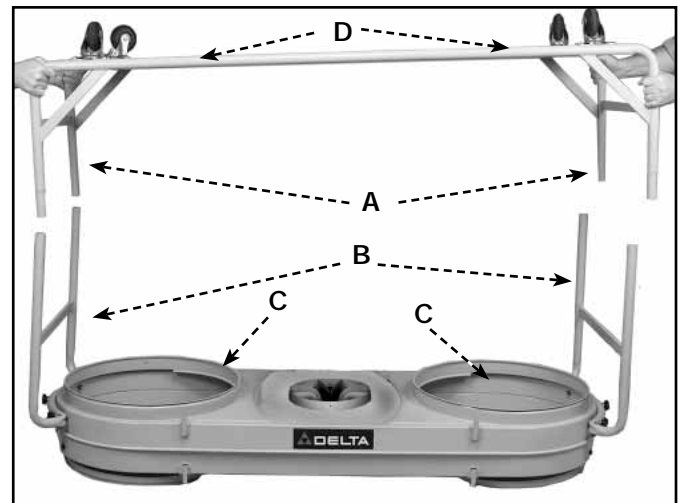


Fig. 3

ALTERNATE SETUP

The steps so far will assemble the unit with the motor on top and dust intake ports on bottom, as shown in Fig 4.

This unit can be assembled with the intake port (A) Fig. 5 in the up position by following the steps in "LEGS TO MOTOR/BLOWER ASSEMBLY." The exception is to place the motor/blower assembly on a flat surface with the motor (A) Fig. 6 facing up before attaching legs.

NOTE: BEFORE DOING THE ALTERNATE SETUP, REMOVE 5/16" HEX HEAD SCREWS FROM HOLES (B) FIG. 6 IN MOTOR/BLOWER ASSEMBLY AND PLACE IN HOLES (C). AIR LEAKAGE WOULD OCCUR IF SCREWS ARE NOT PLACED IN HOLES (C).



Fig. 4

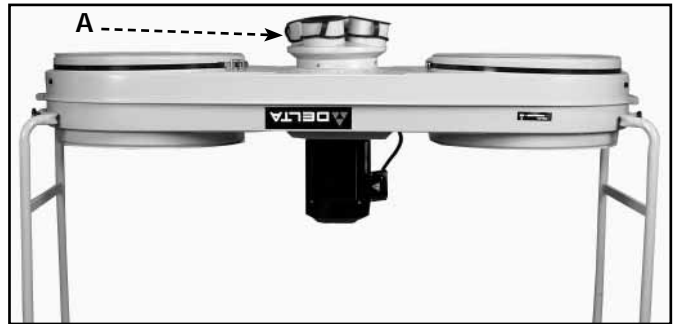


Fig. 5

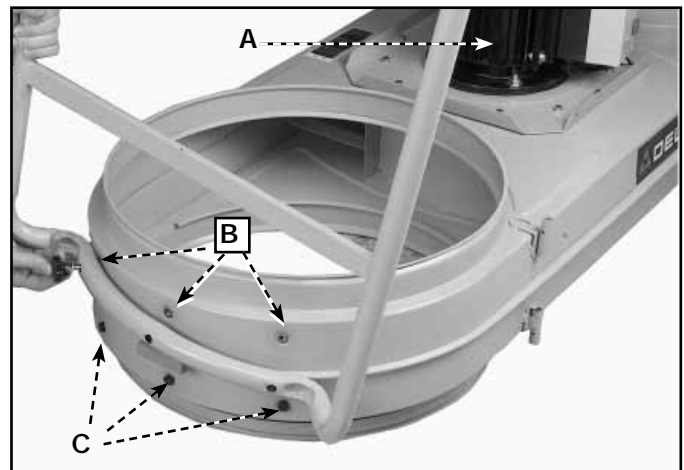


Fig. 6

ATTACHING DUST INTAKE PORTS

⚠ WARNING DISCONNECT MACHINE FROM POWER SOURCE

Place dust intake port (A) Fig. 7 over intake hole (B) opposite the motor. Align four holes (C) in the port with the ones in the motor/blower assembly and fasten with four M4 sheet metal screws.

Turn unit over so casters are on the ground.

⚠ CAUTION BECAUSE OF THE WEIGHT OF THE UNIT, MORE THAN ONE PERSON SHOULD LIFT MOTOR/BLOWER ASSEMBLY INTO UPRIGHT POSITION.

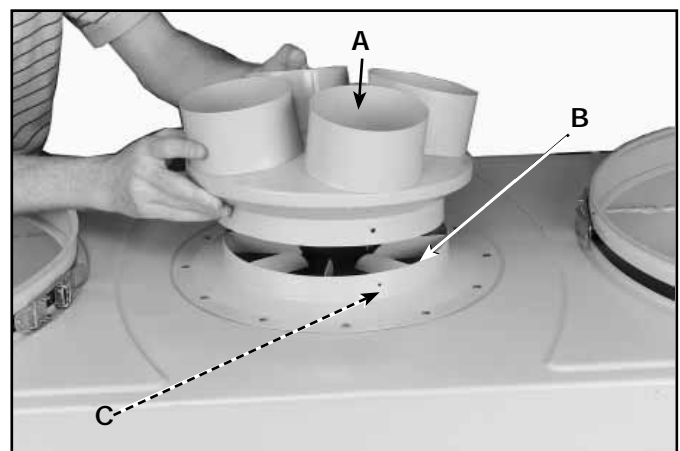


Fig. 7

ATTACHING DUST COLLECTION BAG

⚠ WARNING DISCONNECT MACHINE FROM POWER SOURCE

USING CLOTH COVERED FLEXIBLE RING:

1. Take cloth-covered bag retainer ring (A) Fig. 8 and place it inside opening of clear plastic dust collection bag. Fold about 6 inches of the bag down around the retainer ring.
2. Place bag up into the motor/blower assembly (B) Fig. 8 and fit retainer ring (A) Fig. 8 and (A) Fig. 9 into bottom groove (B) Fig. 9. It will be necessary to bend and fold the ring to fit it into place.
3. Tug slightly on bag to eliminate any slack and to make sure there is a good fit so the bag will not detach during collection.
4. Repeat for other bag.

USING METAL BAG CLAMP:

The plastic bag can also be attached to the outside of the dust collector using the included clamp (B) Fig. 10:

1. Place clamp (B) around top of plastic bag (A) and fold about 4 to 6 inches of plastic bag over the clamp as show in Fig. 10.
2. Place the clamp and plastic bag assembly (A) Fig. 10A and fasten clamp securely as shown.
3. Repeat for other bag.

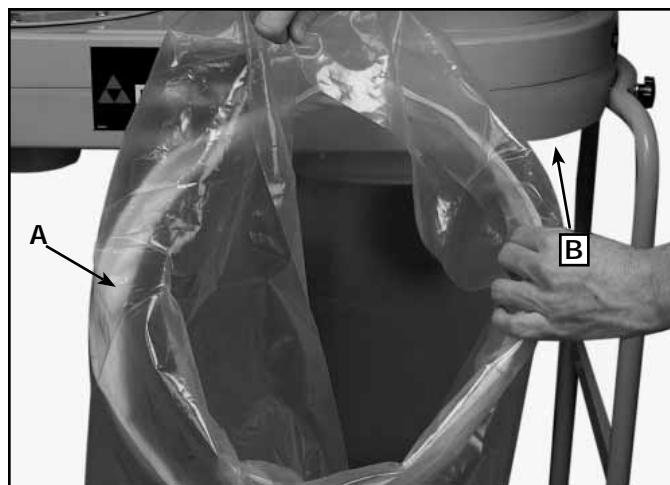


Fig. 8

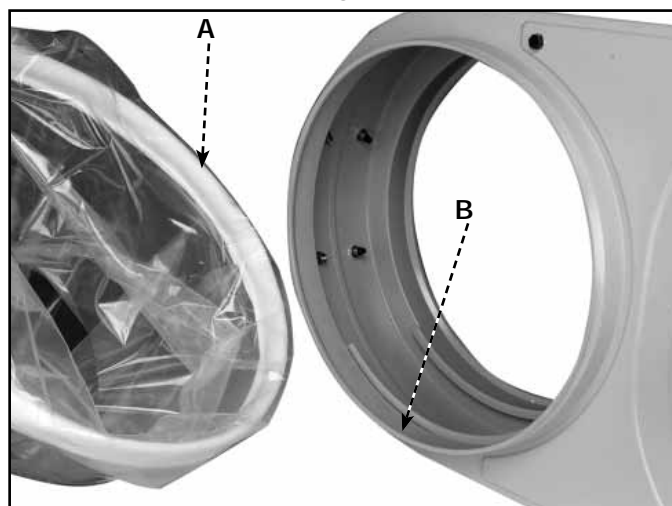


Fig. 9

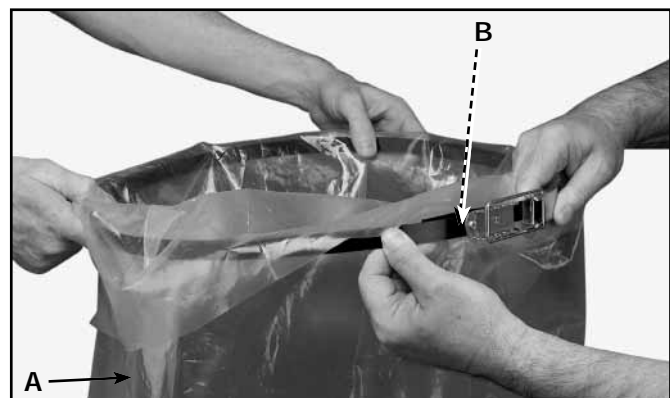


Fig. 10

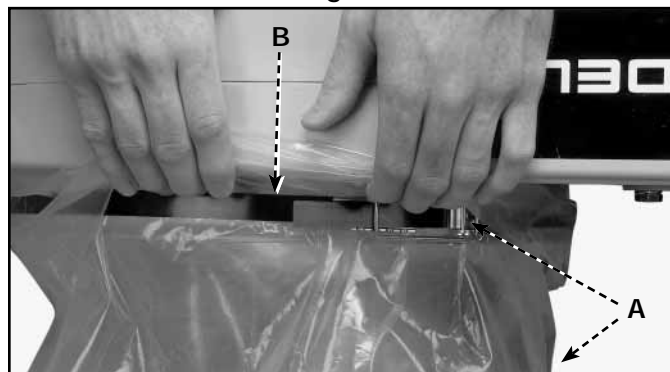


Fig. 10A

ATTACHING TOP FILTER BAGS

⚠ WARNING DISCONNECT MACHINE FROM POWER SOURCE

NOTE: TWO PEOPLE ARE NEEDED FOR THIS STEP.

1. Assemble upper (A) and lower (B) bag hanging rods as shown in Fig. 11.
2. Place 3/8" flat washer on 5/16"x1 1/4" hex head screw. Insert the screw through hole in center of bag hanging assembly (A) Fig. 12 and Fig. 12A and through the hole in the upper bag hanging rod (B) Fig. 12. Then place another large 5/16" flat washer on end of screw followed by a 5/16 hex nut. Assembly shown complete in Fig. 12. Tighten all securely with 12mm wrench.
3. Hang bag loops (C) Fig. 12A around hooks on bag hanging assembly (B), as shown in Fig. 12A
4. Insert rod (A) Fig. 12B into hole in bracket (B). Make sure the four bag ends are not twisted.
5. Work open end of filter bag into top groove of dust collector drum until secure and sealed. (Similar to how internal ring of bottom bag was inserted, Fig. 9. It will be necessary to bend and fold the internal bag retainer ring to fit it into place.
6. Fig. 12C shows the bags installed properly.
7. Repeat steps for the other bag.

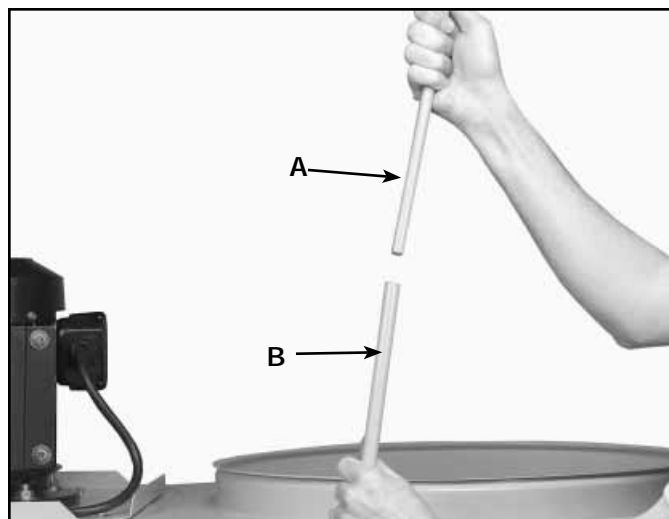


Fig. 11

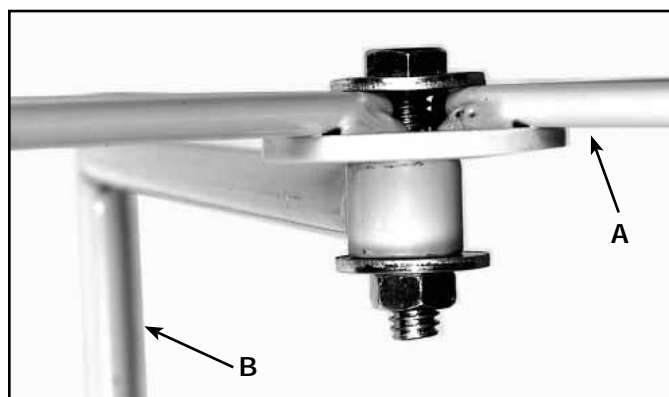


Fig. 12

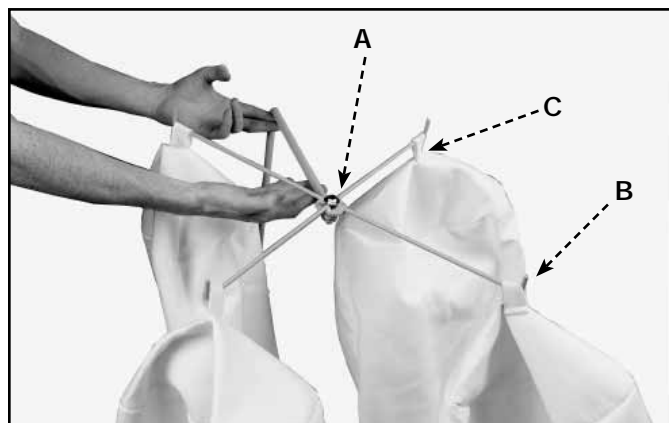


Fig. 12A

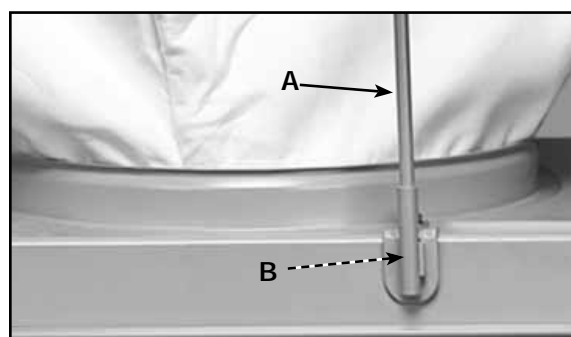


Fig. 12B



Fig. 12C

ATTACHING ACCESSORY HOSE TO INTAKE PORT

⚠ WARNING DISCONNECT MACHINE FROM POWER SOURCE BEFORE CONNECTING OR DISCONNECTING HOSE .

Models 50-764/50-765 provides four 5" dust ports. Proceed as follows for each port with your accessory hoses.

NOTE: Place open end (D) of intake cap rings around and onto ends of each dust intake port before attaching the hose.

To assemble the 5" dust collection hose (not included) to the motor and blower assembly, loosely attach hose clamp (A) Fig. 13, around one end of flexible hose (B) and assemble the hose to dust intake port (C). Tighten hose clamp (A). Assemble the remaining clamp to the other end of the flexible hose and to the woodworking machine.

NOTE: See "ACCESORIES" section of this manual.

NOTE: Do not operate the dust collector with any of the holes in dust intake port (C) Fig. 13 uncovered. To cover a hole not being used by a hose, place the flat intake cap (E) on dust intake port as shown in Fig. 13.

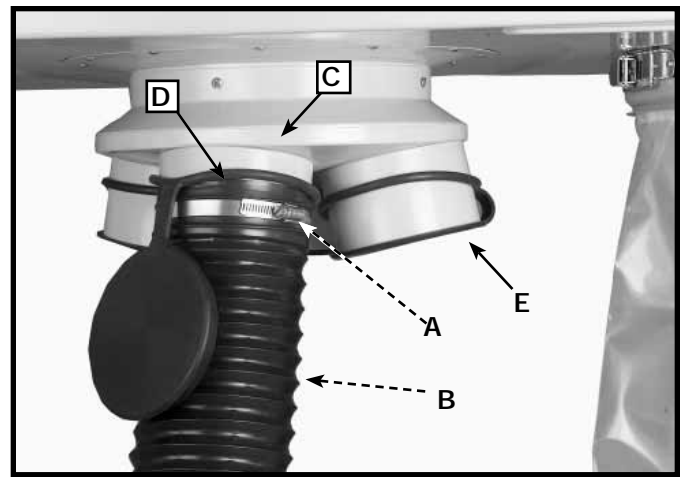


Fig. 13

SINGLE AND THREE PHASE WIRING

⚠ WARNING INSTALLATION BY A QUALIFIED ELECTRICIAN IS RECOMMENDED TO ASSURE SAFE AND PROPER WIRING AND PRODUCT OPERATION.

⚠ DANGER DISCONNECT POWER AT SOURCE BEFORE WIRING THE MACHINE.

MODEL 50-764 THREE PHASE INSTALLATION FOR 230 VOLTS

Your dust collector is supplied with a motor and a magnetic starter controller and must be permanently connected to the building's electrical system and grounded to meet code.

1. To connect the dust collector to a power system, remove controller cover (A) Fig. 14.
2. Bring three phase power line through the access hole (B) Fig. 14, in the top of controller box and connect the three power lines to terminals (C) Fig. 15, and the green ground wire to ground screw (D).

⚠ WARNING BE SURE TO REINSTALL COVER BEFORE OPERATING.

⚠ WARNING DO NOT INSERT FINGERS OR ANY FOREIGN OBJECT INTO THE DUST INTAKE PORT.

⚠ WARNING MAKE SURE UNIT IS PROPERLY GROUNDED.

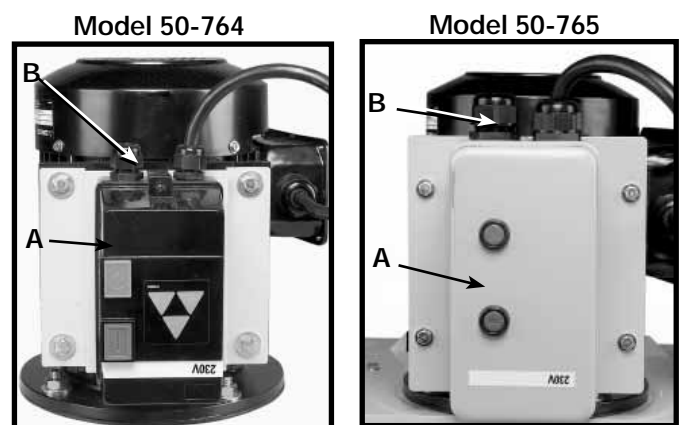


Fig. 14

- After connecting the power cord to the machine, make certain the rotation of the motor is in the proper direction by viewing the rotation of the blower fan. The fan should rotate in a clockwise direction. Rotation of the motor can be reversed by interchanging any two of the three incoming power lines connected to terminals (C) Fig. 15.

⚠ DANGER BE SURE TO DISCONNECT MACHINE AT POWER SOURCE BEFORE REVERSING WIRES.

460 VOLT OPERATION

460V operation of the 50-764 requires replacement of the motor starter and reconfiguration of the motor's internal connections. This item is available from most industrial electrical supply dealers and must be installed by a qualified electrician.

⚠ WARNING DO NOT ATTEMPT TO WIRE THE MACHINE FOR 460 VOLTS WITHOUT REPLACING THE STARTER. DOING SO WILL CAUSE DAMAGE TO THE MACHINE AND PERSONAL INJURY COULD RESULT.

MODEL 50-765 SINGLE PHASE INSTALLATION

Your dust collector is supplied with a motor and a magnetic starter controller and must be permanently connected to the building's electrical system and grounded to meet code.

- To connect the dust collector to a power system, remove controller cover (A) Fig. 14.
- Bring the single phase power line through the access hole (B) Fig. 14, in the top of controller box and connect the two power lines to terminals (E) Fig. 16, and the green ground wire to ground screw (F).

⚠ WARNING BE SURE TO REINSTALL COVER BEFORE OPERATING.

⚠ WARNING DO NOT INSERT FINGERS OR ANY FOREIGN OBJECT INTO THE DUST INTAKE PORT.

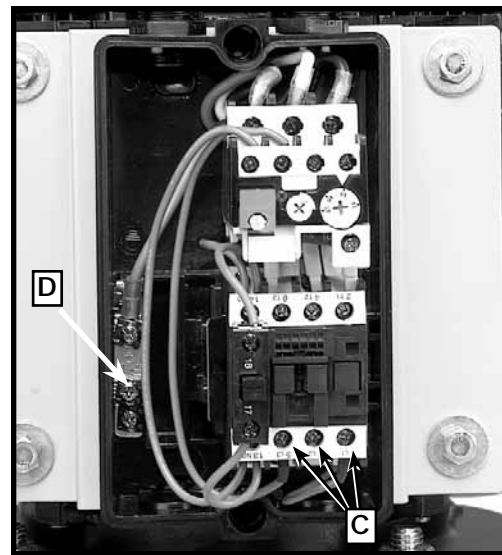


Fig. 15

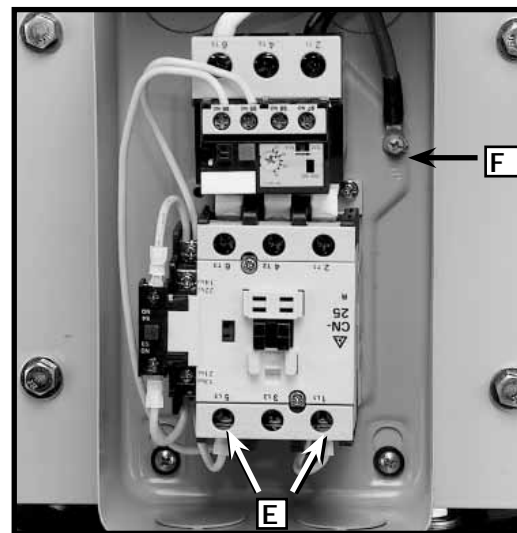


Fig. 16

⚠ WARNING MAKE SURE UNIT IS PROPERLY GROUNDED.

OPERATION

⚠ WARNING FOR OPERATOR SAFETY, DO NOT OPERATE THE MACHINE WITH ANY DUST INTAKE HOLES UNCOVERED. THE ROTATING FAN LOCATED INSIDE THE BLOWER HOUSING IS ACCESSIBLE THROUGH THE DUST IN-TAKE PORT AND CAN BE HAZARDOUS. ALWAYS WEAR PROPER APPAREL. DO NOT WEAR JEWELRY AND KEEP FINGERS AND ALL FOREIGN OBJECTS OUT OF THE DUST INTAKE PORT. FOLLOW THE SAFETY RULES IN THIS MANUAL.

STARTING AND STOPPING DUST COLLECTOR

- The on (A) and off (B) buttons are located on the front of the motor housing as shown in Fig. 17. To turn the machine "ON", push the "ON" button (A).
- To turn the machine "OFF", push the off button (B).

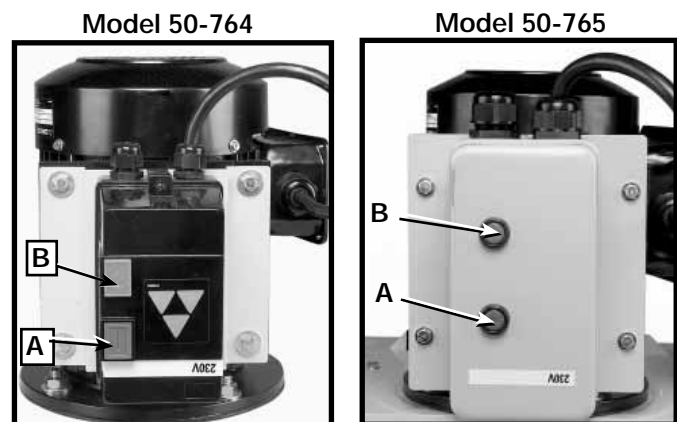


Fig. 17

LOCKING SWITCH IN "OFF" POSITION FOR 50-764

IMPORTANT: When the machine is not in use, the "ON" button (A) Fig. 17 should be locked to prevent unauthorized use, using a padlock (C) Fig. 18 with a 3/16" diameter shackle through the hole beside the button.

LOCKING POWER OUT FOR 50-765

⚠ WARNING THE POWER SWITCH FOR THE 50-765 CAN NOT BE LOCKED IN THE OFF POSITION AND SHOULD BE LOCKED OUT AT THE POWER SOURCE TO PREVENT UNAUTHORIZED USE.

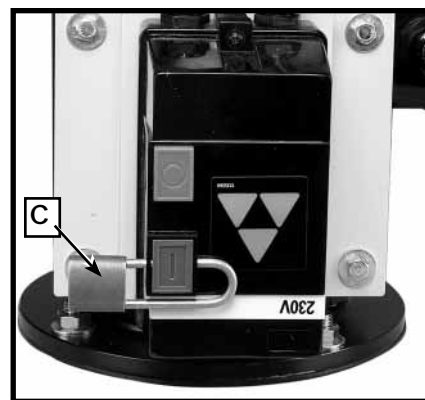


Fig. 18

⚠ WARNING WHEN USING THIS DUST COLLECTOR, DO NOT PICK UP ANYTHING THAT IS BURNING, SMOLDERING OR SMOKING, SUCH AS MATCHES, CIGARETTES, OR HOT ASHES.

⚠ WARNING DO NOT USE TO VACUUM COMBUSTIBLE EXPLOSIVE MATERIALS, SUCH AS COAL, GRAIN OR OTHER FINELY DIVIDED COMBUSTIBLE MATERIAL.

⚠ WARNING DO NOT USE TO VACUUM HAZARDOUS, TOXIC, OR CARCINOGENIC MATERIALS SUCH AS ASBESTOS, PESTICIDE OR LEAD-BASED PAINT DEBRIS.

TROUBLESHOOTING GUIDE

For assistance with your tool, visit our website at www.deltamachinery.com for a list of service centers or call the DELTA Machinery help line at 1-800-223-7278 (In Canada call 1-800-463-3582).

MAINTENANCE

KEEP MACHINE CLEAN

Periodically blow out all air passages with dry compressed air. All plastic parts should be cleaned with a soft damp cloth. NEVER use solvents to clean plastic parts. They could possibly dissolve or otherwise damage the material.

⚠ WARNING Wear certified safety equipment for eye, hearing and respiratory protection while using compressed air.

FAILURE TO START

Should your machine fail to start, check to make sure the prongs on the cord plug are making good contact in the outlet. Also, check for blown fuses or open circuit breakers in the line.

SERVICE

REPLACEMENT PARTS

Use only identical replacement parts. For a parts list or to order parts, visit our website at servicenet.deltamachinery.com. You can also order parts from your nearest factory-owned branch, or by calling our Customer Care Center at 1-800-223-7278 to receive personalized support from highly-trained technicians.

SERVICE AND REPAIRS

All quality tools will eventually require servicing and/or replacement of parts. For information about Delta Machinery, its factory-owned branches, or an Authorized Warranty

Service Center, visit our website at www.deltamachinery.com or call our Customer Care Center at 1-800-223-7278. All repairs made by our service centers are fully guaranteed against defective material and workmanship. We cannot guarantee repairs made or attempted by others.

You can also write to us for information at Delta Machinery, 4825 Highway 45 North, Jackson, Tennessee 38305 - Attention: Product Service. Be sure to include all of the information shown on the nameplate of your tool (model number, type, serial number, etc.)

ACCESSORIES

A complete line of accessories is available from your Delta Supplier, Porter-Cable • Delta Factory Service Centers, and Delta Authorized Service Stations. Please visit our Web Site www.deltamachinery.com for a catalog or for the name of your nearest supplier.

⚠ WARNING Since accessories other than those offered by Delta have not been tested with this product, use of such accessories could be hazardous. For safest operation, only Delta recommended accessories should be used with this product.

WARRANTY

To register your tool for warranty service visit our website at www.deltamachinery.com.

Two Year Limited New Product Warranty

Delta will repair or replace, at its expense and at its option, any new Delta machine, machine part, or machine accessory which in normal use has proven to be defective in workmanship or material, provided that the customer returns the product prepaid to a Delta factory service center or authorized service station with proof of purchase of the product within two years and provides Delta with reasonable opportunity to verify the alleged defect by inspection. For all refurbished Delta product, the warranty period is 180 days. Delta may require that electric motors be returned prepaid to a motor manufacturer's authorized station for inspection and repair or replacement. Delta will not be responsible for any asserted defect which has resulted from normal wear, misuse, abuse or repair or alteration made or specifically authorized by anyone other than an authorized Delta service facility or representative. Under no circumstances will Delta be liable for incidental or consequential damages resulting from defective products. This warranty is Delta's sole warranty and sets forth the customer's exclusive remedy, with respect to defective products; all other warranties, express or implied, whether of merchantability, fitness for purpose, or otherwise, are expressly disclaimed by Delta.

FRANÇAIS

LES INSTRUCTIONS IMPORTANTES DE SURETE

⚠ AVERTISSEMENT : Lire et comprendre toutes instructions d'avertissements et opération avant d'utiliser n'importe quel outil ou n'importe quel équipement. En utilisant les outils ou l'équipement, les précautions de sûreté fondamentales toujours devraient être suivies pour réduire le risque de blessure personnelle. L'opération déplacée, l'entretien ou la modification d'outils ou d'équipement ont pour résultat la blessure sérieux et les dommages de propriété. Il y a de certaines applications pour lequel outils et l'équipement sont conçus. La Delta Machinery recommande avec force que ce produit n'ait pas modifié et/ou utilisé pour l'application autrement que pour lequel il a été conçu.

Si vous avez n'importe quelles questions relatives à son application n'utilisent pas le produit jusqu'à ce que vous avez écrit Porter-Cable et nous vous avons conseillé.

La forme en ligne de contact à www.deltamachinery.com

Courrier Postal: Technical Service Manager

Delta Machinery

4825 Highway 45 North

Jackson, TN 38305

Information en ce qui concerne l'opération sûre et correcte de cet outil est disponible des sources suivantes:

Power Tool Institute

1300 Sumner Avenue, Cleveland, OH 44115-2851

www.powertoolinstitute.org

National Safety Council

1121 Spring Lake Drive, Itasca, IL 60143-3201

American National Standards Institute, 25 West 43rd Street, 4 floor, New York, NY 10036 www.ansi.org ANSI 01.1 Safety Requirements for Woodworking Machines, and the U.S. Department of Labor regulations www.osha.gov

MESURES DE SÉCURITÉ - DÉFINITIONS

Ce guide contient des renseignements importants que vous deviez bien saisir. Cette information porte sur **VOTRE SÉCURITÉ** et sur **LA PRÉVENTION DE PROBLÈMES D'ÉQUIPEMENT**. Afin de vous aider à identifier cette information, nous avons utilisé les symboles ci-dessous. Veuillez lire attentivement ce guide en portant une attention particulière à ces sections.

⚠ DANGER : Indique un danger imminent qui, s'il n'est pas évité, causera de graves blessures ou la mort.

⚠ AVERTISSEMENT : Indique la possibilité d'un danger qui, s'il n'est pas évité, pourrait causer de graves blessures ou la mort.

⚠ ATTENTION Indique la possibilité d'un danger qui, s'il n'est pas évité, peut causer des dommages à la propriété.

ATTENTION : Sans le symbole d'alerte. Indique la possibilité d'un danger qui, s'il n'est pas évité, peut causer des dommages; mineurs ou moyennes.

LA PROPOSITION DE CALIFORNIE 65

⚠ AVERTISSEMENT : La poussière produite par le ponçage électrique le sciage, le meulage, le perçage et autres activités de construction peut contenir des produits chimiques qui sont reconnus, par l'état de la Californie, de causer le cancer, les anomalies congénitales ou autres maux de reproduction. Ces produits chimiques comprennent, entre autres :

- le plomb provenant des peintures à base de plomb;
- la silice cristalline provenant de briques, de béton ou d'autres produits de maçonnerie
- l'arsenic et le chrome provenant du bois de charpente traité chimiquement

Le risque d'exposition à ces produits dépend de la fréquence d'exécution de ce genre de travaux. Afin de réduire l'exposition à ces produits chimiques, travaillez dans un endroit bien aéré et utilisez de l'équipement de sécurité approuvé, portez toujours un masque facial ou respirateur homologué **MSHA/NIOSH** bien ajusté lorsque vous utilisez de tels outils.

CONSERVEZ CES INSTRUCTIONS!

RÈGLES DE SÉCURITÉ GÉNÉRALES

▲ AVERTISSEMENT : L'inobservation de ces règles peut conduire à des blessures graves.

- 1. POUR SA SÉCURITÉ PERSONNELLE, LIRE LA NOTICE D'UTILISATION, AVANT DE METTRE LA MACHINE EN MARCHÉ,** et pour aussi apprendre l'application et les limites de la machine ainsi que les risques qui lui sont particuliers ainsi, les possibilités d'accident et de blessures seront beaucoup réduites.
- 2. PORTEZ DES DISPOSITIFS DE PROTECTION DES YEUX ET DE L'OUÏE. UTILISEZ TOUJOURS DES LUNETTES DE SÉCURITÉ.** Des lunettes ordinaires ne constituent PAS des lunettes de sécurité. **UTILISEZ DES ÉQUIPEMENTS DE SÛRETÉ HOMOLOGUÉS.** Les dispositifs de protection des yeux doivent être conformes aux normes ANSI Z87.1. Les dispositifs de protection de l'ouïe doivent être conformes aux normes ANSI S3.19.
- 3. PORTER UNE TENUE APPROPRIÉE.** Pas de cravates, de gants, ni de vêtements amples. Enlever montre, bagues et autres bijoux. Rouler les manches. Les vêtements ou les bijoux qui se trouvent pris dans les pièces mobiles peuvent entraîner des blessures.
- 4. NE PAS UTILISER LA MACHINE DANS UN ENVIRONNEMENT DANGEREUX.** L'utilisation d'outils électriques dans des endroits humides ou sous la pluie peut entraîner des décharges électriques ou une électrocution. Garder la zone de travail bien éclairée pour éviter de trébucher ou d'exposer les doigts, les mains ou les bras à une situation dangereuse.
- 5. GARDER LES OUTILS ET LES MACHINES EN PARFAIT ÉTAT.** Garder les outils affûtés et propres afin d'obtenir le meilleur et le plus sûr rendement. Suivre les instructions pour lubrifier et changer les accessoires. Les outils et les machines mal entretenus peuvent se dégrader davantage, et/ou entraîner des blessures.
- 6. INSPECTER LES PIÈCES POUR DÉCELER TOUT DOMMAGE.** Avant d'utiliser la machine, la vérifier pour voir s'il n'y a pas de pièces endommagées. Vérifier l'alignement des pièces mobiles et si ces pièces ne se coincent pas, la rupture de pièces, ou toute autre condition pouvant en affecter le fonctionnement. Toute pièce ou protecteur endommagé doit être réparé ou remplacé. Les pièces endommagées peuvent dégrader davantage la machine et/ou entraîner des blessures.
- 7. GARDER L'AIRE DE TRAVAIL PROPRE.** Les zones et établis encombrés favorisent les accidents.
- 8. GARDER LES ENFANTS ET LES VISITEURS À DISTANCE.** L'atelier est un lieu potentiellement dangereux. Les enfants et les visiteurs peuvent se blesser.
- 9. ÉVITER LE DÉMARRAGE ACCIDENTEL.** S'assurer que l'interrupteur est sur « OFF » (ARRÊT) avant de brancher le cordon. En cas de coupure de courant, placer l'interrupteur à la position « OFF » (ARRÊT). Un démarrage accidentel peut entraîner des blessures.
- 10. UTILISER LES DISPOSITIFS PROTECTEURS.** Vérifier que tous les dispositifs protecteurs sont bien en place, bien fixés et en bon état de marche pour éviter les blessures.
- 11. ENLEVER LES CLÉS DE RÉGLAGE ET CELLES DE SERRAGE AVANT DE METTRE LA MACHINE EN MARCHÉ.** Les outils, les chutes et les autres débris peuvent être projetés violemment et blesser.
- 12. UTILISER LA BONNE MACHINE.** Ne pas forcer la machine ou l'accessoire à faire un travail pour lequel il n'a pas été conçu. Des dommages à la machine et/ou des blessures pourraient s'ensuivre.
- 13. UTILISER LES ACCESSOIRES RECOMMANDÉS.** L'utilisation d'accessoires non recommandés par Delta peut endommager la machine et blesser l'utilisateur.
- 14. UTILISER LE CORDON PROLONGATEUR APPROPRIÉ.** S'assurer que le cordon prolongateur est en bon état. Lorsqu'un cordon prolongateur est utilisé, s'assurer que celui-ci est d'un calibre suffisant pour l'alimentation nécessaire à la machine. Un cordon d'un calibre insuffisant entraînera une perte de tension d'où une perte de puissance et surchauffe. Voir le tableau sur les cordons prolongateurs pour obtenir le calibre approprié selon la longueur du cordon et l'ampérage de la machine. S'il y a un doute, utiliser un cordon d'un calibre supérieur. Plus le chiffre est petit, plus le fil est gros.
- 15. FIXER LA PIÈCE.** Utilisez les brides ou l'étau quand vous ne pouvez pas fixer l'objet sur la table et contre la barrière à la main ou quand votre main sera dangereusement près de la lame (à moins de 6").
- 16. AVANCER LA PIÈCE DANS LE SENS CONTRAIRE À LA ROTATION DE LA LAME, DE LA FRAISE OU DE LA SURFACE ABRASIVE.** L'alimentation dans l'autre sens peut entraîner une projection violente de la pièce.
- 17. NE PAS FORCER LA MACHINE EN AVANÇANT LA PIÈCE TROP VITE.** Des dommages et/ou des blessures peuvent s'ensuivre.
- 18. NE PAS SE PENCHER AU-DESSUS DE LA MACHINE.** Une perte de l'équilibre peut entraîner une chute sur la machine en marche et causer des blessures.
- 19. NE JAMAIS MONTER SUR LA MACHINE.** On peut se blesser gravement si la machine bascule ou si l'on touche accidentellement son outil tranchant.
- 20. NE JAMAIS LAISSER LA MACHINE EN MARCHÉ SANS SURVEILLANCE. COUPER LE COURANT.** Ne pas quitter la machine tant qu'elle n'est pas complètement arrêtée. Un enfant ou un visiteur pourrait se blesser.
- 21. METTRE LA MACHINE À L'ARRÊT « OFF » ET LA DÉBRANCHER** avant d'installer ou d'enlever des accessoires, d'ajuster ou de changer des montages, ou lors des réparations. Un démarrage accidentel peut entraîner des blessures.
- 22. METTRE L'ATELIER À L'ABRI DES ENFANTS AU MOYEN DE CADENAS, D'INTERRUPTEURS PRINCIPAUX OU EN ENLEVANT LES BOUTONS DES DISPOSITIFS DE MISE EN MARCHÉ.** Le démarrage accidentel de la machine par un enfant ou un visiteur peut entraîner des blessures.
- 23. RESTER VIGILANT, ATTENTIF, ET FAIRE PREUVE DE BON SENS. NE PAS UTILISER LA MACHINE LORSQUE L'ON EST FATIGUÉ OU SOUS L'INFLUENCE DE DROGUES, D'ALCOOL OU DE MÉDICAMENTS.** Un instant d'inattention lors de l'utilisation d'outils électriques peut entraîner des blessures graves.
- 24. ▲ AVERTISSEMENT :** L'UTILISATION DE CET OUTIL PEUT PRODUIRE ET DISPERSER DE LA POUSSIÈRE OU D'AUTRES PARTICULES EN SUSPENSION DANS L'AIR, TELLES QUE LA SCIURE DE BOIS, LA POUSSIÈRE DE SILICIUM CRISTALLIN ET LA POUSSIÈRE D'AMIANTE. Dirigez les particules loin du visage et du corps. Faites toujours fonctionner l'outil dans un espace bien ventilé et prévoyez l'évacuation de la poussière. Utilisez un système de dépoussiérage chaque fois que possible. L'exposition à la poussière peut causer des problèmes de santé graves et permanents, respiratoires ou autres, tels que la silicose (une maladie pulmonaire grave) et le cancer, et même le décès de la personne affectée. Évitez de respirer de la poussière et de rester en contact prolongé avec celle-ci. En laissant la poussière pénétrer dans vos yeux ou votre bouche, ou en la laissant reposer sur votre peau, vous risquez de promouvoir l'absorption de substances toxiques. Portez toujours des dispositifs de protection respiratoire homologués par NIOSH/OSHA, appropriés à l'exposition à la poussière et de taille appropriée, et lavez à l'eau et au savon les surfaces de votre corps qui ont été exposées.

RÈGLES DE SÉCURITÉ SPÉCIFIQUES SUPPLÉMENTAIRES

⚠ AVERTISSEMENT L'inobservation de ces règles peut conduire à des blessures graves.

⚠ AVERTISSEMENT **NE PAS UTILISER CET APPAREIL POUR FILTRER LA POUSSIÈRE DE MÉTAL.** La combinaison de poussières de bois et de métal peut créer un risque d'explosion ou d'incendie. Cet appareil est conçu pour filtrer dans des milieux non déflagrants.

⚠ AVERTISSEMENT **NE PAS UTILISER CET APPAREIL POUR DISSIPER DES VAPEURS OU DE LA FUMÉE.** Cela peut se solder par des explosions ou un incendie. Le présent dépollueur est conçu pour une utilisation seulement en présence de poussières sèches en suspension. Limiter l'utilisation à des milieux non déflagrants exempts de métaux

- 1. NE PAS UTILISER L'APPAREIL AVANT QU'IL NE SOIT ENTièrement ASSEMBLÉ ET INSTALLÉ CONFORMément AUX DIRECTIVES.** Un appareil mal assemblé peut provoquer des blessures.
- 2. DEMANDER CONSEIL À UN SUPERVISEUR, INSTRUCTEUR, OU TOUTE AUTRE PERSONNE QUALIFIÉE** si l'on ne maîtrise pas parfaitement l'utilisation de l'appareil. La connaissance est synonyme de sécurité
- 3. SUIVRE TOUS LES CODES DE CÂBLAGE** et les connexions électriques recommandées afin d'éviter tout choc électrique ou électrocution.
- 4. NE PAS TIRER SUR L'APPAREIL PAR LE CORDON D'ALIMENTATION.** Éloigner le cordon d'alimentation d'accessoires ou bords tranchants, de surfaces chaudes, d'huile ou de graisse. Ne pas déposer d'objets lourds sur le cordon d'alimentation. Un cordon d'alimentation endommagé risque de provoquer un choc électrique ou une électrocution.
- 5. APPUYER L'APPAREIL OU LE FIXER SOLIDEMENT AVEC UN SERRE-JOINT À LA SURFACE DE TRAVAIL LORS D'UNE UTILISATION COMME ACCESSOIRE PORTATIF** pour empêcher une blessure éventuelle et/ou des dommages des suites d'une chute.
- 6. S'ASSURER QUE LES ORIFICES D'ADMISSION ET D'ÉVACUATION SONT LIBRES AVANT DE DÉMARRER L'APPAREIL.** Un orifice d'admission ou d'évacuation obstrué risque de provoquer une explosion et/ou un incendie.
- 7. NE PAS UTILISER LE DÉPOUSSIÉREUR** pour ramasser des liquides inflammables comme l'essence. Ne pas utiliser le dépollueur près de liquides inflammables ou combustibles. Cela peut se solder par une explosion et/ou un incendie.
- 8. ÉLOIGNER LES BRAS, MAINS, ET DOIGTS DU VENTILATEUR.** Éviter tout contact avec des pièces mobiles pour empêcher des blessures.
- 9. NE PAS UTILISER L'APPAREIL SANS LE SAC COLLECTEUR DE POUSSIÈRE EN PLACE ET BIEN FIXÉ.** La sciure et autres débris peuvent créer un risque potentiel d'incendie et/ou d'explosion ainsi que des problèmes respiratoires.
- 10. INSPECTER LE SAC À POUSSIÈRE POUR TOUTE TRACE DE COUPURES OU DÉCHIRURES.** Remplacer les sacs ou tuyaux d'aspirateur endommagés. La sciure et autres débris peuvent créer un risque potentiel d'incendie et/ou d'explosion ainsi que des problèmes respiratoires.
- 11. TOUJOURS INSTALLER DES CAPUCHONS D'ADMISSION SUR LES ORIFICES INUTILISÉS.** Les débris risquent d'endommager l'appareil et de provoquer une blessure.
- 12. NE PAS ESSAYER DE RETIRER OU DE REMPLACER** le ou les sacs collecteurs de poussière alors que l'appareil est branché à la prise. Des pales de ventilateur exposées peuvent provoquer de graves blessures.
- 13. MAINTENIR L'APPAREIL EN EXCELLENTE CONDITION.** Des filtres bouchés peuvent accroître le potentiel d'incendie ou d'explosion. Suivre toutes les directives pour le changement et les nettoyage de filtres.
- 14. ENTREPOSER L'APPAREIL DANS UN ENDROIT** qui élimine le risque de dommages potentiels au cordon d'alimentation. Un cordon d'alimentation endommagé risque de provoquer un choc ou une électrocution. Ranger le cordon d'alimentation de façon sécuritaire pour empêcher le risque de trébuchement.
- 15. ÉTEINDRE L'APPAREIL ET LE DÉBRANCHER** avant d'installer ou de retirer tout accessoire, avant d'ajuster ou de modifier les réglages, ou lors de réparations. Un démarrage accidentel peut provoquer des blessures graves.
- 16. ÉTEINDRE L'APPAREIL,** le débrancher, et nettoyer la table/l'espace de travail avant de quitter la zone.

CONSERVER CES DIRECTIVES.

Les consulter souvent et les utiliser pour donner des directives aux autres.

CONNEXIONS ÉLECTRIQUES

Un circuit électrique séparé doit être utilisé pour l'appareil. Ce circuit doit utiliser un câble de calibre 12 au minimum et doit être protégé par un fusible temporisé de 30 A. Avant de relier l'appareil à un fil actif, s'assurer que le courant électrique reçu est compatible avec celui spécifié sur la plaque signalétique de l'appareil. Tous les branchements doivent établir un bon contact. Si l'appareil fonctionne à basse tension, il peut être endommagé.

⚠ AVERTISSEMENT NE PAS EXPOSER L'APPAREIL À LA PLUIE NI L'UTILISER DANS UN ENDROIT HUMIDE.

CARACTÉRISTIQUES TECHNIQUES DU MOTEUR

Le câblage du modèle 50-764 est conçu pour une tension de 230 volts à 60 Hz de courant alternatif. Il est possible d'en modifier le câblage pour accepter une tension de 460 volts. Quant au modèle 50-765, son câblage est conçu pour une tension de 230 volts à 60 Hz de courant alternatif.

⚠ AVERTISSEMENT CETTE MACHINE DOIT ÊTRE MISE À LA TERRE LORS DE SON UTILISATION AFIN DE PROTÉGER L'UTILISATEUR CONTRE TOUT CHOC ÉLECTRIQUE.

Les dépoussiéreurs, modèles 50-764 et 50-765, ne sont pas livrés avec un cordon d'alimentation. Pour répondre aux exigences du Code, les dépoussiéreurs doivent être reliés en permanence au réseau électrique de l'édifice et correctement mis à la terre. Dans ce cas, il est impossible d'utiliser des rallonges avec ces dépoussiéreurs. Pour des directives à propos du câblage de moteurs triphasés ou monophasés, consulter la rubrique « CÂBLAGE DE MOTEURS TRIPHASÉS OU MONOPHASÉS » du présent mode d'emploi.

FONCTIONNEMENT AVEC UNE TENSION DE 460 VOLTS

Le fonctionnement du modèle 50-764, à une tension de 460 volts, exige le remplacement du démarreur et la reconfiguration des connexions internes du moteur. Un démarreur, conçu pour une tension de 460 volts, est disponible auprès de la plupart des fournisseurs de pièces électriques industrielles. Confier l'installation à un **électricien professionnel**.

⚠ AVERTISSEMENT NE PAS CÂBLER l'appareil pour une tension de 460 volts sans remplacer le démarreur. Une telle pratique risquera d'endommager l'appareil et pourrait entraîner des blessures corporelles.

DESCRIPTION FONCTIONNELLE

AVANT-PROPOS

Les dépoussiéreurs industriels de Delta, modèles 50-764 et 50-765, se raccorderont aux machines de travail du bois compatibles avec un tuyau de 12,7 cm (5 po) de diamètre. Chaque modèle est livré avec deux sacs filtrant de 1 micromètre et quatre sacs collecteurs plastiques de 152,4 micromètres (6 mils). Le modèle 50-764 comporte un moteur triphasé de 5 HP pour des tensions de 230 ou 460 volts alors que le modèle 50-765 est livré avec un moteur monophasé de 5 HP de 230 volts.

CONTENUS DE BOITE



Fig. 1C

1. Module moteur-souffleur
2. Socle
3. Goulotte à poussière

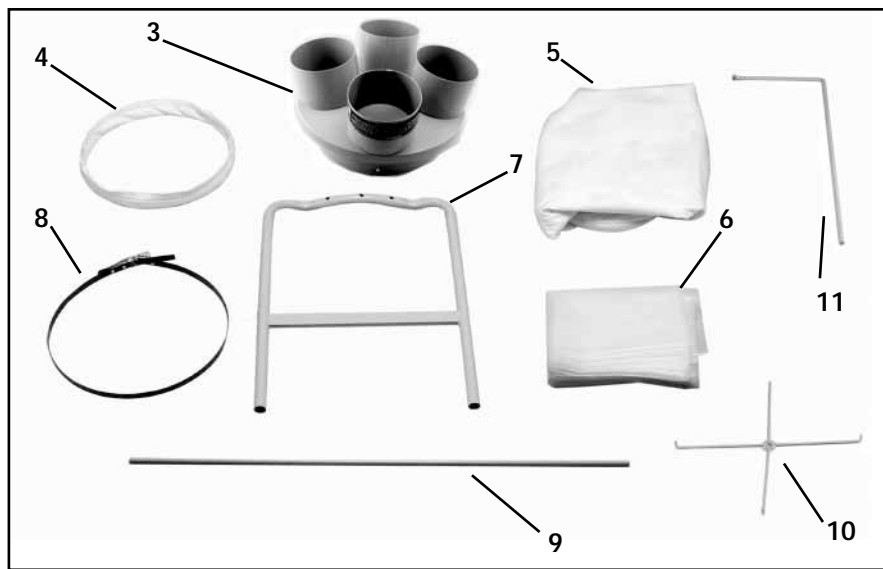


Fig. 1D

- | | |
|---|--|
| 4. (2) Anneaux de retenue du sac, gainés de tissu | 8. (2) Brides de retenue des sacs |
| 5. (2) Sacs filtrants supérieurs de 1 micromètre | 9. (2) Tiges de maintien pour sac inférieur |
| 6. (4) Sacs plastiques inférieurs, à capacité filtrante de 152,4 micromètres (6 mils) | 10. (2) Modules de suspension de sac |
| 7. (2) Pattes | 11. (2) Tiges de maintien pour sac supérieur |

12. (4) Roulettes
 13. (4) Bouchons d'admission avec anneaux
 14. (6) Boutons pour fixer les pattes au module moteur-souffleur
 15. (4) Rondelles plates de 9,5 mm (3/8 po) pour les boutons
 16. (16) Petites rondelles plates de 8 mm (5/16 po) pour les roulettes
 17. (4) Vis à tôle M4 pour la goulotte à poussière
 18. Vis à tête hexagonale de 8 mm x 19 mm (5/16 po x 3/4 po)
 19. (2) Écrous hexagonaux à embase de 8 mm (5/16 po)
 20. (2) Vis à tête hexagonale de 8 mm (5/16 po) x 31,8 mm (1 1/4 po) pour le module de suspension de sac
 21. (2) Grandes rondelles plates de 8 mm (5/16 po) pour le module de suspension de sac
 22. (2) Rondelles de 9,5 mm (3/8 po) pour le module de suspension de sac



Fig. 1E

DÉSEMBALLAGE ET NETTOYAGE

Désemballer soigneusement la machine et toutes les pièces de ou des emballage(s) d'expédition. Retirer l'huile anti-corrosion des surfaces non peintes à l'aide d'un chiffon doux humidifié avec de l'alcool, du diluant à peinture ou de l'alcool dénaturé.

▲ ATTENTION : N'utiliser pas de solvants hautement volatils tel l'essence, le naphte, l'acétone ou du diluant à laque pour nettoyer.

Après nettoyage, couvrir les surfaces non peintes d'une cire à parquets d'usage domestique de bonne qualité.

ASSEMBLAGE

⚠ AVERTISSEMENT Pour votre propre sûreté, ne reliez pas la machine à la source d'énergie jusqu'à ce que la machine soit complètement assemblée et vous lisez et comprenez le manuel d'instruction entier.

OUTILS NÉCESSAIRES POUR L'ASSEMBLEE

Tournevis à tête cruciforme

Clé de 12 mm

L'ESTIMATION DE TEMPS D'ASSEMBLEE

30 minutes à 1 heure

⚠ AVERTISSEMENT L'APPAREIL EST LOURD. LE SOULEVER A L'AIDE DE DEUX PERSONNES OU PLUS.

ROULETTES

1. Mettre le socle (A) à l'envers comme indiqué à la figure 1F.
2. Aligner les trous de l'ensemble roulette (B) avec ceux des plaques du socle. Enfiler une rondelle plate de 8 mm (5/16 po) sur une vis à tête hexagonale de 8 mm x 19 mm (5/16 po x 3/4 po) puis insérer la vis dans le trou de l'ensemble roulette et la visser dans le trou du socle. Répéter l'assemblage pour toutes les roulettes.
3. Serrer la visserie à la main puis fixer solidement avec la clé de 12 mm.

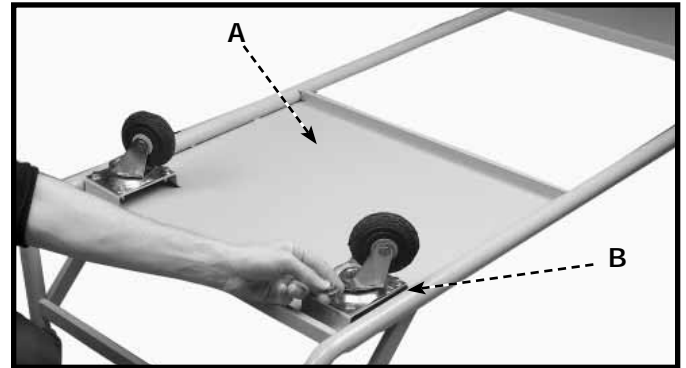


Fig. 1F

ASSEMBLAGE DES PATTES AU MODULE MOTEUR-SOUFFLEUR

1. Placer le module moteur-souffleur avec le moteur vers le bas. (fig. 2)
2. Enfiler une rondelle plate de 18 mm (3/8 po) sur le bouton (A) fig. 2.
3. Aligner les trous (B) des pattes avec ceux (C) du module moteur-souffleur. Les pattes devraient pointer vers le haut. Insérer le bouton dans le trou (B) dans les pattes et le visser dans le trou (C) du module moteur-souffleur. Serrer solidement le bouton.
4. Répéter les étapes précédentes pour tous les boutons sur les deux pattes.

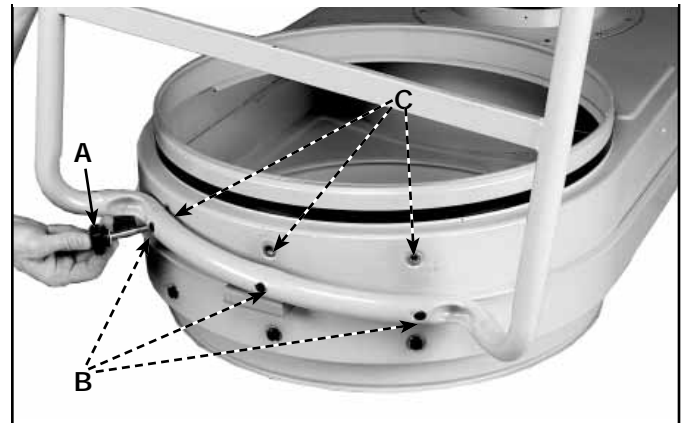


Fig. 2

ASSEMBLAGE DU SOCLE AUX PATTES DU MODULE MOTEUR-SOUFFLEUR

REMARQUE : DEUX PERSONNES SONT NÉCESSAIRES POUR CETTE ÉTAPE.

Insérer les quatre tiges du socle (A) fig. 3, dans les quatre pattes (B) du module moteur-souffleur.

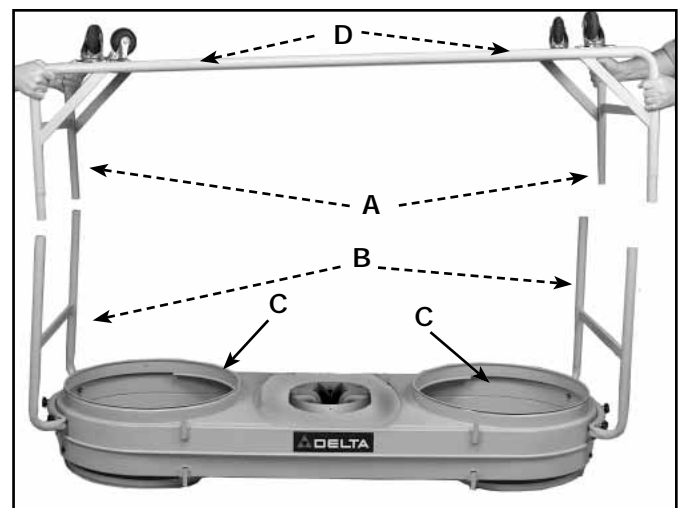


Fig. 3

ASSEMBLAGE ALTERNATIF

Jusqu'à maintenant, les étapes décrivent l'assemblage de l'appareil avec le moteur sur le dessus et les orifices d'admission de la poussière en bas comme indiqué à la figure 4.

Il est possible d'assembler l'appareil avec la goulotte d'admission (A) fig. 5, en position supérieure en suivant les étapes sous la section « **ASSEMBLAGE DES PATTES AU MODULE MOTEUR-SOUFFLEUR** » à moins de placer le module moteur-souffleur sur une surface plane avec le moteur (A) fig. 6, pointant vers le plafond avant d'assembler les pattes.

REMARQUE : AVANT DE DÉBUTER L'ASSEMBLAGE ALTERNATIF, RETIRER LES VIS À TÊTE HEXAGONALE DE 8 MM (5/16 PO) DES TROUS (B) FIG. 6, DU MODULE MOTEUR-SOUFFLEUR ET LES INSÉRER DANS LES TROUS (C). IL Y AURA UNE FUITE D'AIR SI LES VIS NE SONT PAS EN PLACE DANS LES TROUS (C).

ASSEMBLAGE DES GOULOTTES À POUSSIÈRE

⚠ AVERTISSEMENT DÉBRANCHER L'APPAREIL DE LA SOURCE D'ALIMENTATION.

Insérer la goulotte à poussière (A) fig. 7, dans l'orifice d'admission (B) opposé au moteur. Aligner les quatre trous (C) de la goulotte à poussière avec ceux du module moteur-souffleur et la fixer solidement avec quatre vis à tôle M4.

Renverser l'appareil pour le mettre sur ses roulettes.

⚠ AVERTISSEMENT UTILISER PLUS D'UNE PERSONNE POUR SOULEVER LE MODULE MOTEUR-SOUFFLEUR EN POSITION VERTICALE CAR L'APPAREIL EST LOURD.



Fig. 4



Fig. 5

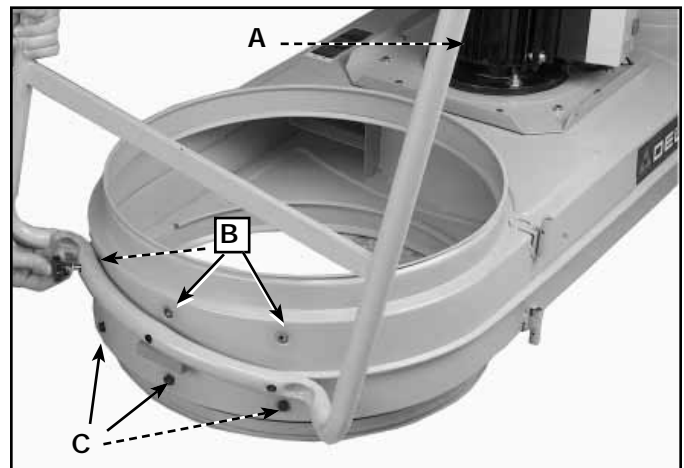


Fig. 6

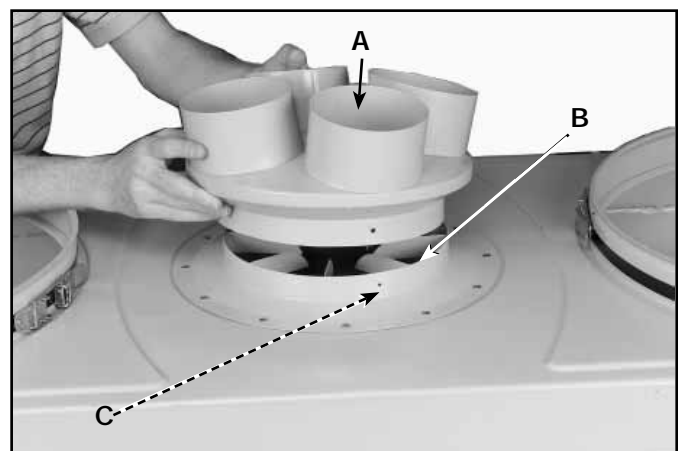


Fig. 7

FIXATION DU SAC COLLECTEUR DE POUSSIÈRES

UTILISATION DE L'ANNEAU FLEXIBLE RECOUVERT DE TISSU :

1. Prendre l'anneau de retenue du sac gainé de tissu (A) fig. 8, et l'insérer dans l'ouverture du sac collecteur de poussière en plastique transparent. Enrouler environ 15 cm (6 po) du sac autour de l'anneau de retenue.
2. Insérer le sac dans le grand trou (B) fig. 8, du module moteur-souffleur et insérer l'anneau de retenue (A) fig. 8, et (A) fig. 9, dans la rainure inférieure (B) fig. 9. Au besoin, plier l'anneau pour l'insérer en place.
3. Tirer légèrement sur le sac pour éliminer tout mou et s'assurer qu'il soit bien ajusté pour empêcher qu'il ne se détache en cours de dépoussiérage.
4. Répétition pour l'autre sac.

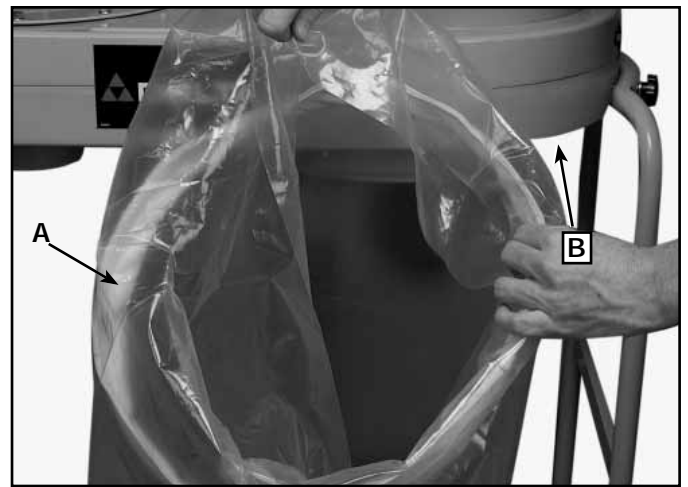


Fig. 8

UTILISATION DE LA BRIDE MÉTALLIQUE DU SAC :

Le sac plastique s'attache aussi à l'extérieur du dépoussiéreur à l'aide de la bride comprise (B) fig. 10 :

1. Insérer la bride (B) autour du haut du sac plastique (A) et enrouler environ 10 cm à 15 cm (4 à 6 po) du sac sur la bride comme indiqué à la figure 10.
2. Insérer le bloc bride-sac plastique (A) fig. 10A, et serrer solidement la bride comme indiquée.
3. Répétition pour l'autre sac.

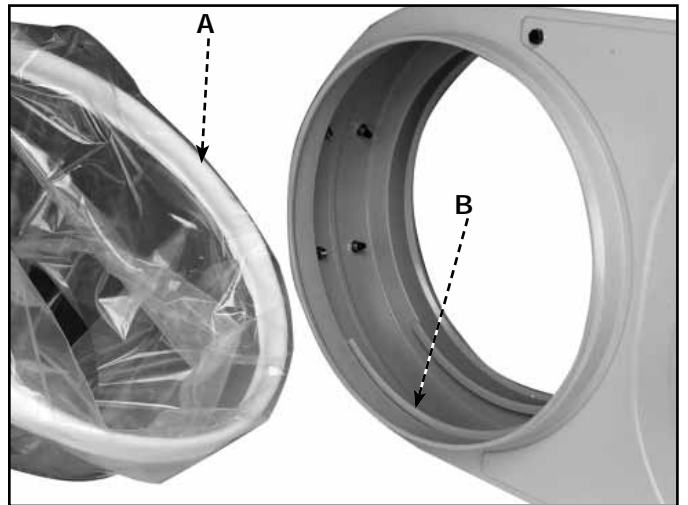


Fig. 9

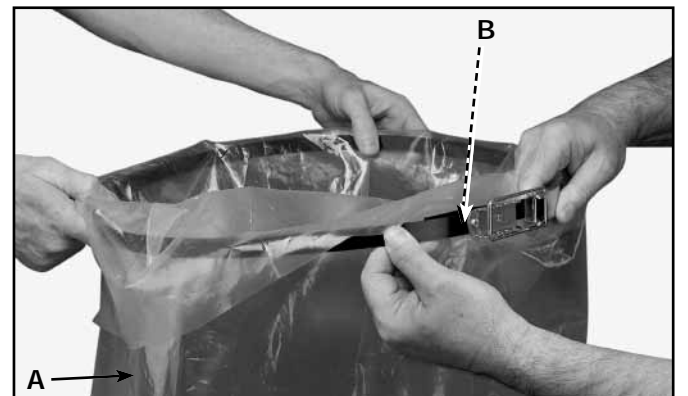


Fig. 10

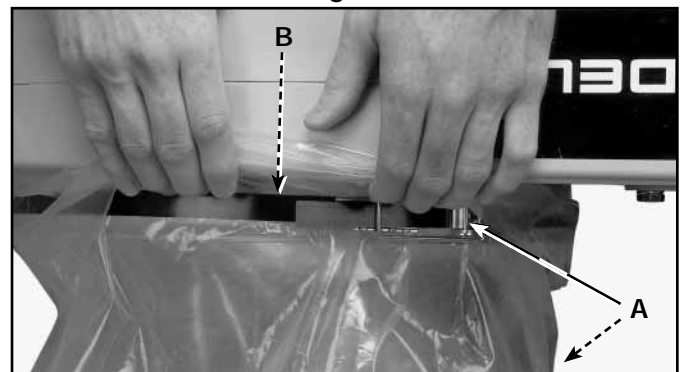


Fig. 10A

FIXATION DES SACS FILTRANTS SUPÉRIEURS

REMARQUE : DEUX PERSONNES SONT NÉCESSAIRES POUR CETTE ÉTAPE.

⚠ AVERTISSEMENT DÉBRANCHER L'APPAREIL DE LA SOURCE D'ALIMENTATION.

1. Assembler les tiges de suspension des sacs supérieur (A) et inférieur (B) comme indiqué à la figure 11.
2. Enfiler une rondelle plate de 9,5 mm (3/8 po) sur une vis à tête hexagonale de 8 mm x 31,7 mm (5/16 po x 1-1/4 po) et insérer la vis dans le trou au centre de l'ensemble de sac suspendu (A) fig. 12 et fig. 12A et dans le trou de la tige de suspension du sac supérieur (B) fig. 12. Puis enfiler une autre grande rondelle plate de 8 mm (5/16 po) sur l'extrémité de la vis suivi d'un boulon hexagonale de 8 mm (5/16 po) de diamètre. Ensemble illustré assemblé à la figure 12. Serrer toute la boulonnerie solidement à l'aide de la clé de 12 mm.
3. Insérer les boucles des sacs (C) fig. 12A, sur les crochets des ensembles de sac suspendu (B), comme indiqué à la figure 12A
4. Insérer la tige de suspension (A) fig. 12B, dans le trou du support (B). S'assurer que les quatre sacs ne sont pas entortillés.
5. Insérer l'extrémité ouverte du sac filtrant dans la rainure supérieure du tambour du dépoussiéreur jusqu'à ce que le sac soit fixe et scellé. (D'une façon similaire à l'insertion de l'anneau interne du sac inférieur, fig. 9. Au besoin, plier l'anneau de retenue interne pour l'insérer en place.
6. La figure 12C illustre les sacs bien en place.
7. Répéter les étapes pour l'autre sac.

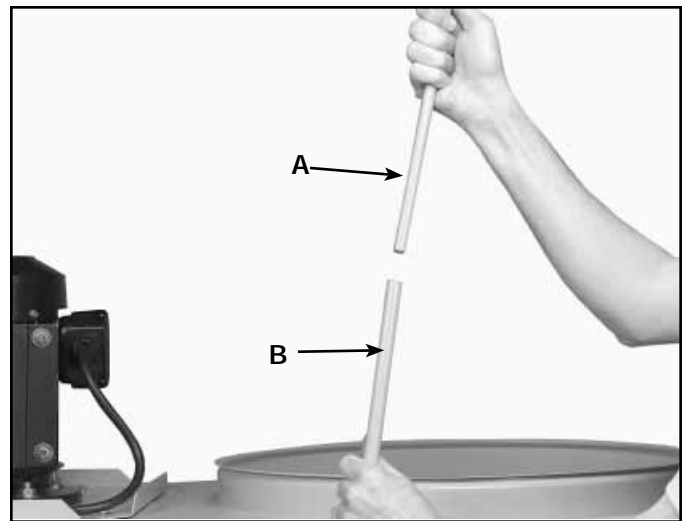


Fig. 11

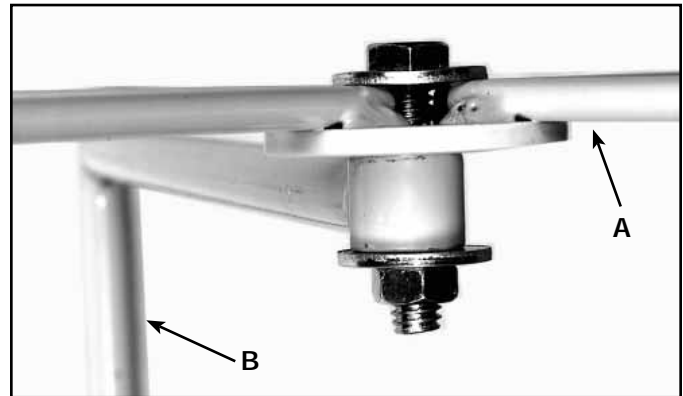


Fig. 12

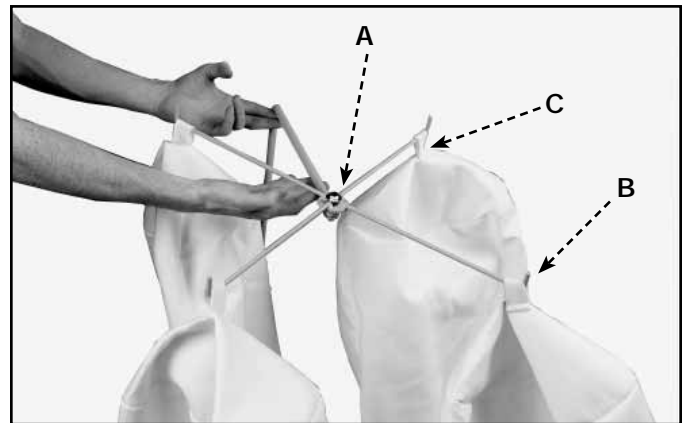


Fig. 12A



Fig. 12C

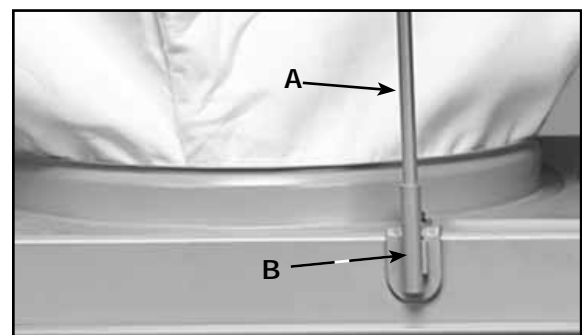


Fig. 12B

RACCORD DU TUYAU ACCESSOIRE À L'ORIFICE D'ADMISSION

⚠ AVERTISSEMENT DÉBRANCHER L'APPAREIL DE LA SOURCE D'ALIMENTATION AVANT DE RACCORDER OU DE DÉBRANCHER LE TUYAU.

Les dépoussiéreur, modèles 50-764 et 50-765, comportent quatre orifices de 12,7 cm (5 po) pour le dépoussiérage. Pour chaque goulotte à poussière, procéder comme suit avec les tuyaux accessoires.

REMARQUE : insérer la portion ouverte (D) des anneaux du capuchon d'admission autour et sur les extrémités de chaque goulotte à poussière avant de raccorder le tuyau.

Pour l'assemblage du tuyau collecteur de 12,7 cm (5 po) au module moteur-souffleur, attacher lâchement le collier de serrage du tuyau (A) fig. 13, autour d'une extrémité du tuyau flexible (B) et raccorder le tuyau à la goulotte à poussière (C). Serrer le collier de serrage du tuyau (A). Assembler l'autre collier de serrage à l'autre extrémité du tuyau flexible et le raccorder à la machine de travail du bois.

REMARQUE : consulter la rubrique « ACCESSOIRES » du présent mode d'emploi.

REMARQUE : ne pas utiliser le dépoussiéreur avec l'une des goulottes à poussière (C) fig. 13, sans capuchon ou tuyau. Pour couvrir un trou sans tuyau, insérer le capuchon plat d'admission (E) sur la goulotte à poussière comme indiqué à la figure 13.

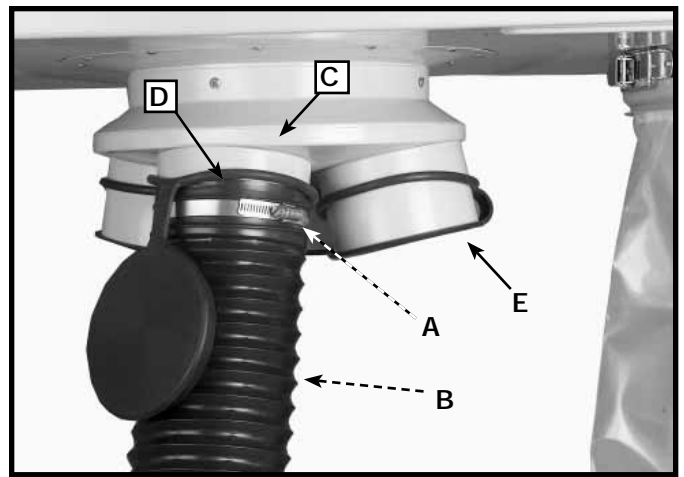


Fig. 13

CÂBLAGE DE MOTEURS TRIPHASÉS OU MONOPHASÉS

⚠ AVERTISSEMENT confier l'installation à un électricien professionnel pour garantir un câblage et un fonctionnement sécuritaires et corrects.

⚠ AVERTISSEMENT désactiver le courant à la source avant d'effectuer le câblage de l'appareil.

MODÈLE 50-764. CÂBLAGE POUR MOTEUR TRIPHASÉ À UNE TENSION DE 230 VOLTS

Le dépoussiéreur est livré avec un contrôleur pour le moteur et le démarreur magnétique. Pour répondre aux exigences du Code, le dépoussiéreur doit être relié en permanence au réseau électrique de l'édifice et mis à la terre.

1. Pour brancher le dépoussiéreur à un réseau électrique, retirer le couvercle du contrôleur (A) fig. 14.
2. Passer le fil triphasé par le trou d'accès (B) fig. 14, au haut du boîtier du contrôleur et relier les trois fils actifs aux bornes (C) fig. 15, et le fil vert à la vis de mise à la terre (D).

⚠ AVERTISSEMENT S'ASSURER DE REMETTRE LE COUVERCLE EN PLACE AVANT D'UTILISER L'APPAREIL.

⚠ AVERTISSEMENT NE PAS INSÉRER DE DOIGTS OU TOUT AUTRE OBJET ÉTRANGER DANS LA GOULOTTE À POUSSIÈRE.

⚠ AVERTISSEMENT S'ASSURER QUE L'APPAREIL SOIT CORRECTEMENT MIS À LA TERRE.

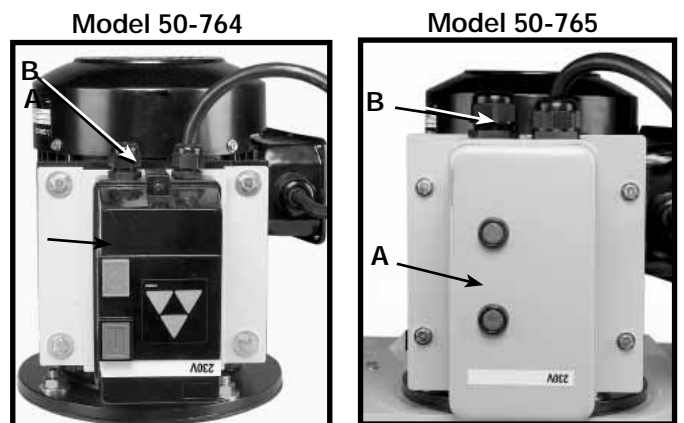


Fig. 14

3. Une fois l'appareil branché, s'assurer que le moteur tourne bien dans la bonne direction en observant la direction de la rotation du ventilateur du souffleur. Le ventilateur devrait tourner en sens horaire. Il est possible d'inverser la rotation du moteur en interchangeant n'importe quel deux fils des trois fils actifs entrants qui sont reliés aux bornes (C) fig. 15.

⚠ AVERTISSEMENT S'ASSURER DE DÉBRANCHER L'APPAREIL À LA SOURCE D'ALIMENTATION AVANT D'INVERSER LES FILS.

FONCTIONNEMENT AVEC UNE TENSION DE 460 VOLTS

Le fonctionnement du modèle 50-764, à une tension de 460 volts, exige le remplacement du démarreur et la reconfiguration des connexions internes du moteur. Le démarreur est disponible auprès de la plupart des fournisseurs de pièces électriques industrielles. Confier l'installation à un électricien professionnel.

⚠ AVERTISSEMENT NE PAS CÂBLER l'appareil pour une tension de 460 volts sans remplacer le démarreur. Une telle pratique risquera d'endommager l'appareil et pourrait entraîner des blessures corporelles.

MODÈLE 50-765, CÂBLAGE POUR MOTEUR MONOPHASÉ

Le dépoussiéreur est livré avec un contrôleur pour le moteur et le démarreur magnétique. Pour répondre aux exigences du Code, le dépoussiéreur doit être relié en permanence au réseau électrique de l'édifice et mis à la terre.

1. Pour brancher le dépoussiéreur à un réseau électrique, retirer le couvercle du contrôleur (A) fig. 14.
2. Passer le fil monophasé par le trou d'accès (B) fig. 14, au haut du boîtier du contrôleur et relier les deux fils actifs aux bornes (E) fig. 16, et le fil vert à la vis de mise à la terre (F).

⚠ AVERTISSEMENT S'ASSURER DE REMETTRE LE COUVERCLE EN PLACE AVANT D'UTILISER L'APPAREIL.

⚠ AVERTISSEMENT NE PAS INSÉRER DE DOIGTS OU TOUT AUTRE OBJET ÉTRANGER DANS LA GOULOTTE À POUSSIÈRE.

⚠ AVERTISSEMENT S'ASSURER QUE L'APPAREIL SOIT CORRECTEMENT MIS À LA TERRE.

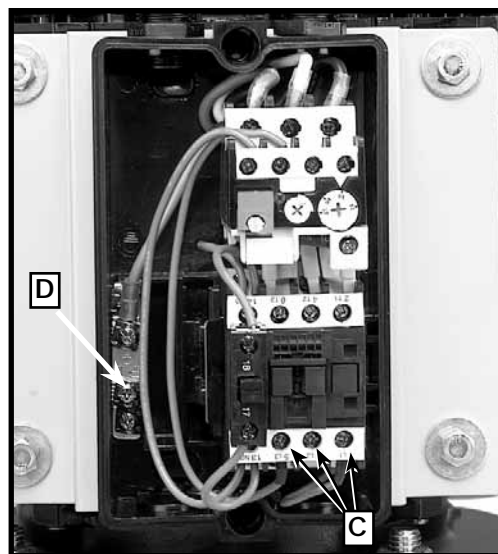


Fig. 15

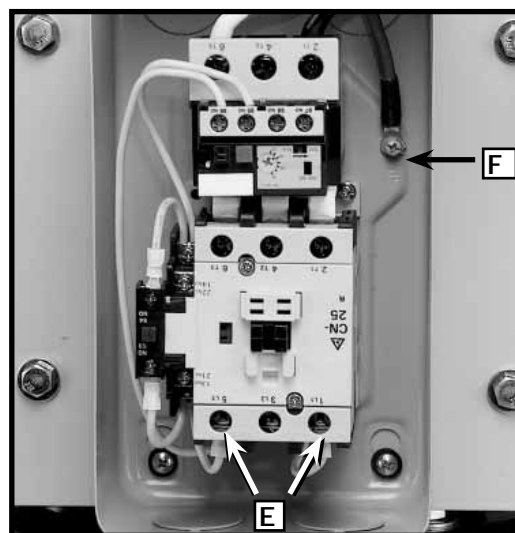


Fig. 16

FONCTIONNEMENT

⚠ AVERTISSEMENT POUR LA SÉCURITÉ DE L'OPÉRATEUR, NE PAS UTILISER L'APPAREIL AVEC DES GOULOTTES À POUSSIÈRE SANS CAPUCHONS OU TUYAUX. LE VENTILATEUR LOGÉ À L'INTÉRIEUR DU BOÎTIER DU SOUFFLEUR EST ACCESSIBLE PAR L'ORIFICE D'ADMISSION DE LA POUSSIÈRE ET PEUT S'AVÉRER DANGEREUX. TOUJOURS PORTER DES VÊTEMENTS ADÉQUATS. NE PAS PORTER DE BIJOUX ET ÉLOIGNER LES DOIGTS ET TOUT OBJET ÉTRANGER DE LA GOULOTTE À POUSSIÈRE. SUIVRE LES CONSIGNES EN MATIÈRE DE SÉCURITÉ DU PRÉSENT MANUEL.

DÉMARRAGE ET ARRÊT DU DÉPOUSSIÉREUR

1. Les boutons de démarrage (A) et d'arrêt (B) sont logés à l'avant du boîtier moteur comme indiqué à la figure 17. Pour démarrer l'appareil, appuyer sur le bouton « ON » (A).
2. Pour l'arrêter, appuyer sur le bouton « OFF » (B).

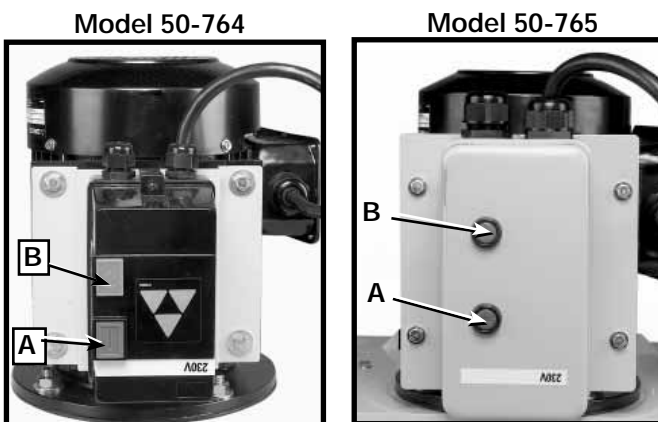


Fig. 17

VERROUILLAGE DE L'INTERRUPTEUR EN POSITION D'ARRÊT POUR LE MODÈLE 50-764

IMPORTANT : lorsque l'appareil n'est pas utilisé, verrouiller le bouton de démarrage (A) fig. 17, pour empêcher toute utilisation non autorisée, en passant un cadenas (C) fig. 18, muni d'une boucle de 4,75 mm (3/16 po) de diamètre, dans le trou au côté du bouton.

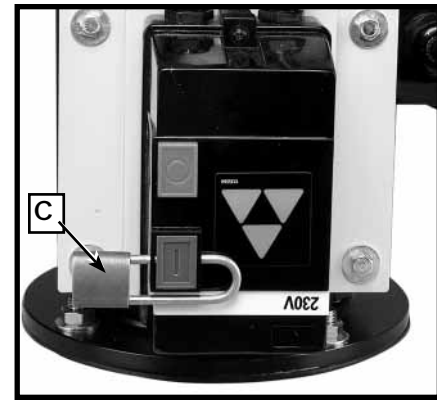


Fig. 18

VERROUILLAGE DE LA SOURCE D'ALIMENTATION POUR LE MODÈLE 50-765

⚠ AVERTISSEMENT IL EST IMPOSSIBLE DE VERROUILLER L'INTERRUPTEUR DU MODÈLE 50-765 EN POSITION D'ARRÊT. VEUILLEZ VERROUILLER LA SOURCE D'ALIMENTATION POUR EMPÊCHER TOUTE UTILISATION NON AUTORISÉE.

⚠ AVERTISSEMENT LORS DE L'UTILISATION DU DÉPOUSSIÉREUR, NE PAS ASPIRER DES SUBSTANCES QUI BRÛLENT, QUI COUVENT UN FEU OU QUI ÉMETTENT DE LA FUMÉE COMME DES ALLUMETTES, CIGARETTES OU CENDRES CHAUDES.

⚠ AVERTISSEMENT NE PAS UTILISER L'APPAREIL POUR ASPIRER DES MATÉRIaux COMBUSTIBLES DÉFLAGRANTS COMME DU CHARBON, DU GRAIN OU AUTRE MATÉRIEL FIN COMBUSTIBLE.

⚠ AVERTISSEMENT NE PAS ASPIRER DES MATIÈRES DANGEREUSES, TOXIQUES OU CANCÉRIGÈNES COMME L'AMIANTE, UN PESTICIDE OU DES RÉSIDUS DE PEINTURE AU PLOMB.

DEPANNAGE

Pour l'assistance avec votre outil, visiter notre site web à www.deltamachinery.com pour une liste de centres de maintenance ou appeler la ligne d'aide de Delta Machinery à 1-800-223-7278. (Canada: 1-800-463-3582).

ENTRETIEN

GARDER LA MACHINE PROPRE

Dégager régulièrement toutes les conduites d'air avec de l'air comprimé sec. Toutes les pièces en plastique doivent être nettoyées à l'aide d'un chiffon doux humide. NE JAMAIS utiliser de solvants pour nettoyer les pièces en plastique. Les solvants peuvent dissoudre ou endommager le matériel.

⚠ AVERTISSEMENT Porter des protections oculaire et auditive homologuées et utiliser un appareil respiratoire lors de l'utilisation d'air comprimé.

DÉMARRAGE IMPOSSIBLE

Si la machine ne démarre pas, s'assurer que les lames de la fiche du cordon d'alimentation sont bien enfoncées dans la prise de courant. Vérifier également que les fusibles ne sont pas grillés ou que le disjoncteur ne s'est pas déclenché.

SERVICE

PIÈCES DE RECHANGE

Utiliser seulement des pièces de rechange identiques. Pour obtenir une liste des pièces de rechange ou pour en commander, consulter notre site Web au servicenet.deltamachinery.com. Commander aussi des pièces auprès d'une succursale d'usine ou composer le 1-800-223-7278 pour le service à la clientèle et recevoir ainsi une assistance personnalisée de techniciens bien formés.

ENTRETIEN ET RÉPARATION

Tous les outils de qualité finissent par demander un entretien ou un changement de pièce. Pour de plus amples renseignements à propos de Delta Machinery, ses succursales d'usine ou un centre de réparation sous

garantie autorisé, consulter notre site Web au www.deltamachinery.com ou composer le 1-800-223-7278 pour le service à la clientèle. Toutes les réparations effectuées dans nos centres de réparation sont entièrement garanties contre les défauts de matériaux et de main-d'oeuvre. Nous ne pouvons garantir les réparations effectuées en partie ou totalement par d'autres.

Pour de plus amples renseignements par courrier, écrire à Delta Machinery, 4825 Highway 45 North, Jackson, Tennessee 38305, É.-U. – à l'attention de : Product Service. S'assurer d'indiquer toutes les informations figurant sur la plaque signalétique de l'outil (numéro du modèle, type, numéro de série, etc.).

ACCESSOIRES

Une ligne complète des accessoires est fournie des centres commerciaux d'usine de par votre de Porter-Cable•Delta fournisseur, de Porter-Cable•Delta, et des stations service autorisées par Porter-Cable. Veuillez visiter notre site Web www.deltamachinery.com pour un catalogue ou pour le nom de votre fournisseur plus proche.

⚠ AVERTISSEMENT Depuis des accessoires autre que ceux offerts par Porter-Cable•Delta n'ont pas été testés avec ce produit, utilisation de tels accessoires a pu être dangereux. Pour l'exploitation sûre, seulement Porter-Cable•Delta a recommandé des accessoires devrait être utilisé avec ce produit.

GARANTIE

Pour enregistrer votre outil pour la garantie service la visite notre site Web à www.deltamachinery.com.

Garantie limitée de deux ans

Delta réparera ou remplacera, à ses frais et à sa discrétion, toute nouvelle machine Delta, pièce de rechange ou tout accessoire qui, dans des circonstances d'utilisation normale, s'est avéré défectueux en raison de défauts de matériau ou de fabrication, à condition que le client retourne le produit (transport payé d'avance) au centre de réparation de l'usine Delta ou à un centre de réparation autorisé accompagné d'une preuve d'achat et dans les deux ans de la date d'achat du produit, et fournisse à Delta une opportunité raisonnable de vérifier le défaut présumé par une inspection. La période de garantie des produits Delta réusinés est de 180 jours. Delta peut demander que les moteurs électriques soient retournés (transport payé d'avance) à un centre de réparation autorisé du fabricant du moteur en vue d'une inspection, d'une réparation ou d'un remplacement. Delta ne peut être tenu pour responsable des défauts résultants de l'usure normale, de la mauvaise utilisation, de l'abus, de la réparation ou de la modification du produit, sauf en cas d'autorisation spécifique d'un centre de réparation ou d'un représentant Delta autorisé. En aucune circonstance Delta ne peut être tenu pour responsable des dommages accidentels ou indirects résultant d'un produit défectueux. Cette garantie constitue la seule garantie de Delta et le recours exclusif des clients en ce qui concerne les produits défectueux ; toutes les autres garanties, expresses ou implicites, de qualité marchande, d'adéquation à un usage particulier, ou autre, sont expressément déclinées par Delta.

ESPAÑOL

INSTRUCCIONES DE SEGURIDAD IMPORTANTES

▲ ADVERTENCIA: Lea y entienda todas advertencias y las instrucciones operadoras antes de utilizar cualquier instrumento o el equipo. Cuando se usa instrumentos o equipo, las precauciones básicas de la seguridad siempre se deben seguir para reducir el riesgo de la herida personal. La operación impropia, la conservación o la modificación de instrumentos o equipo podrían tener como resultado el daño grave de la herida y la propiedad. Hay ciertas aplicaciones para que equipas con herramienta y el equipo se diseña. La Delta Machinery recomienda totalmente que este producto no sea modificado y/o utilizado para ninguna aplicación de otra manera que para que se diseñó.

Si usted tiene cualquiera pregunta el pariente a su aplicación no utiliza el producto hasta que usted haya escrito Delta Machinery y nosotros lo hemos aconsejado.

La forma en línea del contacto en www.deltamachinery.com

El Correo Postal: Technical Service Manager
Delta Machinery
4825 Highway 45 North
Jackson, TN 38305

(IN CANADA: 125 Mural St. Suite 300, Richmond Hill, ON, L4B 1M4)

Información con respecto a la operación segura y apropiada de este instrumento está disponible de las fuentes siguientes:

Power Tool Institute
1300 Sumner Avenue, Cleveland, OH 44115-2851
www.powertoolinstitute.org

National Safety Council
1121 Spring Lake Drive, Itasca, IL 60143-3201

American National Standards Institute, 25 West 43rd Street, 4 floor, New York, NY 10036 www.ansi.org

ANSI O1.1 Safety Requirements for Woodworking Machines, and the U.S. Department of Labor regulations www.osha.gov

GUARDE ESTAS INSTRUCCIONES!

PAUTAS DE SEGURIDAD/DEFINICIONES

Es importante para usted leer y entender este manual. La información que lo contiene relaciona a proteger SU SEGURIDAD y PREVENIR los PROBLEMAS. Los símbolos debajo de son utilizados para ayudarlo a reconocer esta información.

▲ PELIGRO: Indica una situación de inminente riesgo, la cual, si no es evitada, causará la muerte o lesiones serias.

▲ ADVERTENCIA: Indica una situación potencialmente riesgosa, que si no es evitada, podría resultar en la muerte o lesiones serias.

▲ PRECAUCIÓN: Indica una situación potencialmente peligrosa, la cual, si no es evitada, podría resultar en lesiones menores o mode-radas.

PRECAUCIÓN Usado sin el símbolo de seguridad de alerta indica una situa-ción potencialmente riesgosa la que, si no es evitada, podría causar daños en la propiedad.

PROPOSICIÓN DE CALIFORNIA 65

▲ ADVERTENCIA Algunos tipos de aserrín creados por máquinas eléctricas de lijado, aserrado, amolado, perforado u otras actividades de la construcción, contienen materiales químicos conocidos (en el Estado de California) como causantes de cáncer, defectos de nacimiento u otros daños del aparato reproductivo. Algunos ejemplos de dichos productos químicos son:

- El plomo contenido en algunas pinturas con base de plomo
- Sílice cristalizado proveniente de los ladrillos, el cemento y otros productos de albañilería
- Arsénico y cromo de madera tratada químicamente

Su riesgo por causa de estas exposiciones varía, dependiendo de con cuánta frecuencia realice este tipo de trabajo. Para reducir su exposición a estos agentes químicos: trabaje en un área bien ventilada y trabaje con equipo de seguridad aprobado, use siempre protección facial o respirador **NIOSH/OSHA** aprobados cuando deba utilizar dichas herramientas.

NORMAS GENERALES DE SEGURIDAD

⚠ ADVERTENCIA: Si no se siguen estas normas, el resultado podría ser lesiones graves.

- 1. PARA SU PROPIA SEGURIDAD, LEA EL MANUAL DE INSTRUCCIONES ANTES DE UTILIZAR LA MÁQUINA.** Al aprender la aplicación, las limitaciones y los peligros específicos de la máquina, se minimizará enormemente la posibilidad de accidentes y lesiones.
- 2. USE PROTECCIÓN DE LOS OJOS Y DE LA AUDICIÓN. USE SIEMPRE ANTEOJOS DE SEGURIDAD.** Los lentes de uso diario NO son anteojos de seguridad. USE EQUIPO DE SEGURIDAD CERTIFICADO. El equipo de protección de los ojos debe cumplir con las normas ANSI Z87.1. El equipo de protección de la audición debe cumplir con las normas ANSI S3.19.
- 3. USE INDUMENTARIA ADECUADA.** No use ropa holgada, guantes, corbatas, anillos, pulseras u otras joyas que podrían engancharse en las piezas móviles. Se recomienda usar calzado antideslizante. Use una cubierta protectora del pelo para sujetar el pelo largo.
- 4. NO UTILICE LA MÁQUINA EN UN ENTORNO PELIGROSO.** La utilización de herramientas mecánicas en lugares húmedos o mojados, o en la lluvia, puede causar descargas eléctricas o electrocución. Mantenga bien iluminada el área de trabajo para evitar tropezar o poner en peligro los brazos, las manos y los dedos.
- 5. MANTENGA TODAS LAS HERRAMIENTAS Y MÁQUINAS EN CONDICIONES ÓPTIMAS.** Mantenga las herramientas afiladas y limpias para lograr el mejor y más seguro rendimiento. Siga las instrucciones de lubricación y cambio de accesorios. Las herramientas y las máquinas mal mantenidas pueden dañar más la herramienta o la máquina y/o causar lesiones.
- 6. COMPRUEBE SI HAY PIEZAS DAÑADAS.** Antes de utilizar la máquina, compruebe si hay piezas dañadas. Compruebe la alineación de las piezas móviles, si las piezas móviles se atascan, si hay piezas rotas y toda otra situación que podría afectar su funcionamiento. Un protector o cualquier otra pieza que presente daños debe repararse o reemplazarse apropiadamente. Las piezas dañadas pueden causar daños adicionales a la máquina y/o lesiones.
- 7. MANTENGA LIMPIA EL ÁREA DE TRABAJO.** Las áreas y los bancos desordenados invitan a que se produzcan accidentes.
- 8. MANTENGA ALEJADOS A LOS NIÑOS Y A LOS VISITANTES.** El taller es un entorno potencialmente peligroso. Los niños y los visitantes pueden sufrir lesiones.
- 9. REDUZCA EL RIESGO DE UN ARRANQUE NO INTENCIONADO.** Asegúrese de que el interruptor esté en la posición de apagado antes de enchufar el cable de alimentación. En caso de un apagón, mueva el interruptor a la posición de apagado. Un arranque accidental podría causar lesiones.
- 10. UTILICE LOS PROTECTORES.** Asegúrese de que todos los protectores estén colocados en su sitio, sujetos firmemente y funcionando correctamente para prevenir lesiones.
- 11. QUITÉ LAS LLAVES DE AJUSTE Y DE TUERCA ANTES DE ARRANCAR LA MÁQUINA.** Las herramientas, los pedazos de desecho y otros residuos pueden salir despedidos a alta velocidad, causando lesiones.
- 12. UTILICE LA MÁQUINA ADECUADA.** No fuerce una máquina o un aditamento a hacer un trabajo para el que no se diseñó. El resultado podría ser daños a la máquina y/o lesiones.
- 13. UTILICE ACCESORIOS RECOMENDADOS.** La utilización de accesorios y aditamentos no recomendados por Delta podría causar daños a la máquina o lesiones al usuario.
- 14. UTILICE EL CORDÓN DE EXTENSIÓN ADECUADO.** Asegúrese de que el cordón de extensión esté en buenas condiciones. Cuando utilice un cordón de extensión, asegúrese de utilizar un cordón que sea lo suficientemente pesado como para llevar la corriente que su producto tome. Un cordón de tamaño insuficiente causará una caída de la tensión de la línea, lo cual producirá una pérdida de potencia y recalentamiento. Consulte el Cuadro de cordones de extensión para obtener el tamaño correcto dependiendo de la longitud del cordón y la capacidad nominal en amperios indicada en la placa de especificaciones. En caso de duda, utilice el próximo calibre más grueso. Cuanto más pequeño sea el número de calibre, más pesado será el cordón.
- 15. SUJETE FIRMEMENTE LA PIEZA DE TRABAJO.** Utilice las abrazaderas o el tornillo cuando usted no puede asegurar el objeto en la tabla y contra la cerca a mano o cuando su mano estará peligroso cerca de la lámina (dentro de 6").
- 16. HAGA AVANZAR LA PIEZA DE TRABAJO CONTRA EL SENTIDO DE ROTACIÓN DE LA HOJA, EL CORTADOR O LA SUPERFICIE ABRASIVA.** Si la hace avanzar desde el otro sentido, el resultado será que la pieza de trabajo salga despedida a alta velocidad.
- 17. NO FUERCE LA PIEZA DE TRABAJO SOBRE LA MÁQUINA.** El resultado podría ser daños a la máquina y/o lesiones.
- 18. NO INTENTE ALCANZAR DEMASIADO LEJOS.** Una pérdida del equilibrio puede hacerle caer en una máquina en funcionamiento, causándole lesiones.
- 19. NO SE SUBA NUNCA A LA MÁQUINA.** Se podrían producir lesiones si la herramienta se inclina o si usted hace contacto accidentalmente con la herramienta de corte.
- 20. NO DEJE NUNCA DESATENDIDA LA MÁQUINA CUANDO ESTÉ EN MARCHA. APÁGUELA.** No deje la máquina hasta que ésta se detenga por completo. Un niño o un visitante podría resultar lesionado.
- 21. APAGUE LA MÁQUINA Y DESCONÉCTELA DE LA FUENTE DE ALIMENTACIÓN** antes de instalar o quitar accesorios, antes de ajustar o cambiar configuraciones o al realizar reparaciones. Un arranque accidental puede causar lesiones.
- 22. HAGA SU TALLER A PRUEBA DE NIÑOS CON CANDADOS E INTERRUPTORES MAESTROS O QUITANDO LAS LLAVES DE ARRANQUE.** El arranque accidental de una máquina por un niño o un visitante podría causar lesiones.
- 23. MANTÉNGASE ALERTA, FÍJESE EN LO QUE ESTÁ HACIENDO Y USE EL SENTIDO COMÚN. NO UTILICE LA MÁQUINA CUANDO ESTÉ CANSADO O BAJO LA INFLUENCIA DE DROGAS, ALCOHOL O MEDICAMENTOS.** Un momento de distracción mientras se estén utilizando herramientas mecánicas podría causar lesiones.
- 24. ⚠ ADVERTENCIA:** EL USO DE ESTA HERRAMIENTA PUEDE GENERAR Y DISPERSAR POLVO U OTRAS PARTÍCULAS SUSPENDIDAS EN EL AIRE, INCLUYENDO POLVO DE MADERA, POLVO DE SÍLICE CRISTALINA Y POLVO DE ASBESTO. Dirija las partículas de modo que se alejen de la cara y del cuerpo. Utilice siempre la herramienta en un área bien ventilada y proporcione un medio apropiado de remoción de polvo. Use un sistema de recolección de polvo en todos los lugares donde sea posible. La exposición al polvo puede causar lesiones respiratorias graves y permanentes u otras lesiones graves y permanentes, incluyendo silicosis (una enfermedad pulmonar grave), cáncer y muerte. Evite aspirar el polvo y evite el contacto prolongado con el polvo. Si se permite que el polvo entre en la boca o en los ojos, o que se deposite en la piel, se puede promover la absorción de material nocivo. Use siempre protección respiratoria aprobada por NIOSH/ OSHA que se ajuste apropiadamente y sea adecuada para la exposición al polvo, y lávese las áreas expuestas con agua y jabón.

NORMAS ESPECÍFICAS ADICIONALES DE SEGURIDAD

⚠ ADVERTENCIA El no acatar estas reglas puede tener como resultado graves lesiones físicas.

⚠ PELIGRO UTILICE el colector de polvo para recoger materiales de madera solamente. **NO** utilice el colector de polvo para recoger virutas metálicas, polvo metálico o piezas metálicas.

⚠ ADVERTENCIA **NUNCA** utilice el colector de polvo para disipar vapores o humo. **NUNCA** recoja nada que esté ardiendo o desprendiendo humo, como cigarrillos, fósforos o cenizas calientes.

1. **NO UTILICE ESTA MÁQUINA** hasta que esté completamente montada e instalada de acuerdo con las instrucciones.
2. **OBTenga ASESORAMIENTO** de su supervisor, instructor u otra persona calificada si no está completamente familiarizado con la utilización de esta máquina.
3. **SIGA TODOS LOS CÓDIGOS DE CABLEADO** y las conexiones eléctricas recomendadas.
4. **NO** tire del colector de polvo por el cable de alimentación. **NUNCA** deje que el cable de alimentación entre en contacto con bordes afilados, superficies calientes, aceite o grasa. No ponga nada encima del cable de alimentación.
5. Ponga **SIEMPRE** todos los controles en la posición de apagado antes de desenchufar el colector de polvo. **PARA REDUCIR EL RIESGO DE DESCARGAS ELÉCTRICAS**, no utilice la unidad sobre superficies mojadas. No la exponga a la lluvia. Guárdela en interiores.
6. **NO** utilice la unidad con ninguna abertura bloqueada; manténgala libre de polvo, pelusa, pelo y todo aquello que pueda reducir la circulación de aire.
7. **NO** utilice el colector de polvo para recoger líquidos inflamables o combustibles, como por ejemplo gasolina. **NUNCA** utilice el colector de polvo cerca de líquidos inflamables o combustibles.
8. **NO** introduzca los dedos ni objetos extraños en el orificio de entrada de polvo. Mantenga el pelo, la ropa holgada, los dedos y todas las partes del cuerpo alejados de las aberturas y las piezas móviles del colector de polvo.
9. **NUNCA** utilice el colector de polvo sin la bolsa de recolección de polvo colocada en su sitio y sujeta adecuadamente.
10. **INSPECCIONE PERIÓDICAMENTE** la bolsa para polvo con el fin de comprobar si tiene cortes, roturas o desgarraduras. **NUNCA** utilice el colector de polvo con una bolsa o manguera de aspiración dañada.
11. Utilice **SIEMPRE** la cubierta de la entrada para cubrir el orificio para polvo cuando el colector de polvo no esté en uso o montado en una superficie de soporte para almacenamiento.
12. **NO** deje el colector de polvo enchufado en el tomacorriente eléctrico. Desenchufe el colector de polvo del tomacorriente cuando no se esté utilizando y antes de hacerle servicio, cambiar las bolsas, desatascarlo y limpiarlo.
13. **NUNCA** utilice el colector de polvo con una bolsa o manguera de aspiración dañada. **INSPECCIONE PERIÓDICAMENTE** la bolsa para polvo con el fin de comprobar si tiene cortes, roturas o desgarraduras.
14. **REEMPLACE** inmediatamente un cable de alimentación dañado. **NO** utilice un cable de alimentación o enchufe dañado. Si el colector de polvo no funciona correctamente, o si ha sufrido daños, se ha dejado a la intemperie o ha estado en contacto con agua, llévelo a un Centro de Servicio Autorizado para que le den servicio.
15. **APAGUE LA MÁQUINA Y DESCONÉCTELA** de la fuente de alimentación antes de instalar o quitar accesorios, antes de ajustar o cambiar las preparaciones o al hacer reparaciones.
16. **APAGUE LA MÁQUINA**, desconéctela de la fuente de alimentación y limpie la mesa/área de trabajo antes de dejar la máquina. **BLOQUEE EL INTERRUPTOR EN LA POSICIÓN DE APAGADO** para impedir el uso no autorizado.

GUARDE ESTAS INSTRUCCIONES.

Refiérase a ellas con frecuencia y utilícelas para adiestrar a otros.

CONEXIONES ELÉCTRICAS

Debe utilizar un circuito eléctrico independiente para su máquina. Este circuito no debe ser menor a un cable N° 12 y debe estar protegido con un fusible de acción retardada de 30 amperios. Antes de conectar la máquina a la línea eléctrica, asegúrese de que la corriente tenga las características que se indican en la placa de especificaciones de la máquina. Todas las conexiones a la línea deben hacer un buen contacto. La máquina se dañará si está funcionando con bajo voltaje.

⚠ ADVERTENCIA NO EXPONGA LA MÁQUINA A LA LLUVIA NI LA UTILICE EN LUGARES HÚMEDOS.

ESPECIFICACIONES DEL MOTOR

El modelo 50-764 tiene un cableado adecuado para funcionar a 230 voltios, 60 HZ de corriente alterna. También puede reconfigurarse para funcionar a 460 voltios. El modelo 50-765 tiene un cableado adecuado para funcionar a 230 voltios, 60 HZ de corriente alterna.

⚠ ADVERTENCIA ESTA MÁQUINA DEBE ESTAR CONECTADA A TIERRA MIENTRAS ESTÉ EN USO, PARA PROTEGER AL OPERADOR DE UNA DESCARGA ELÉCTRICA.

Los recolectores de polvo 50-764 y 50-765 no vienen con cables de alimentación. Deben estar conectados permanentemente al sistema eléctrico del edificio y con puesta a tierra de acuerdo con el Código Eléctrico Nacional. Dado que deben estar conectados permanentemente al sistema eléctrico del edificio, no se puede usar cables prolongadores con estos recolectores. Para obtener instrucciones sobre cómo realizar el cableado de motores de una o tres fases, consulte la sección "CABLEADO DE UNA Y TRES FASES" de este manual.

FUNCIONAMIENTO A 460 VOLTIOS

Para que el modelo 50-764 funcione a 460 voltios, es necesario reemplazar el mecanismo de arranque y reconfigurar las conexiones internas del motor. Un mecanismo de arranque de 460 voltios se puede conseguir en la mayoría de los comercios de suministros eléctricos, y debe instalarlo un electricista calificado.

⚠ ADVERTENCIA NO INTENTE REALIZAR EL CABLEADO DE LA MÁQUINA PARA 460 VOLTIOS SIN REEMPLAZAR EL MECANISMO DE ARRANQUE. CASO CONTRARIO, LA MÁQUINA SE DAÑARÁ Y PODRÍA CAUSAR UNA LESIÓN PERSONAL.

DESCRIPCIÓN FUNCIONAL

INTRODUCCIÓN

Los Modelos Industriales de Delta 50-764 y 50-765 son recolectores de polvo que se conectan a máquinas para trabajo en madera que aceptan una manguera de 127 mm (5"). Cada unidad trae dos bolsas filtradoras de 1 micrón y cuatro bolsas plásticas para recolección de 6 mm. El modelo 50-762 tiene un motor de cinco caballos de fuerza de 230 V/460 V de tres fases, mientras que el modelo 50-763 tiene un motor de cinco caballos de fuerza de 230 V de una sola fase.

CONTENIDO DE CARTON

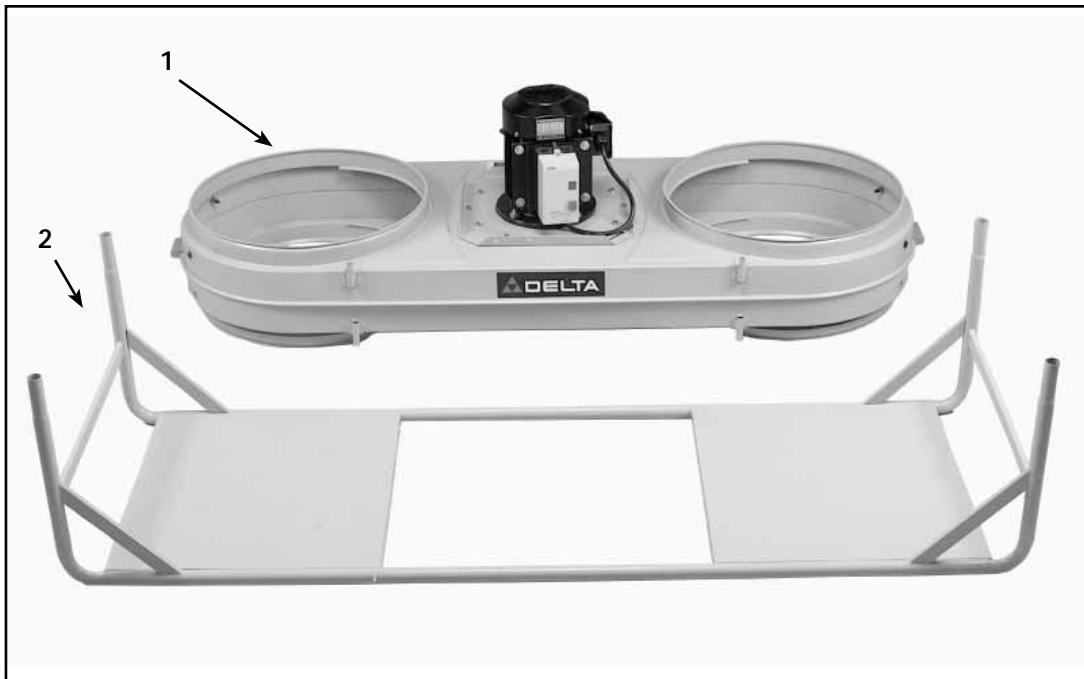


Fig. 1C

1. Conjunto de motor y soplador
2. Base
3. Orificio de admisión de polvo

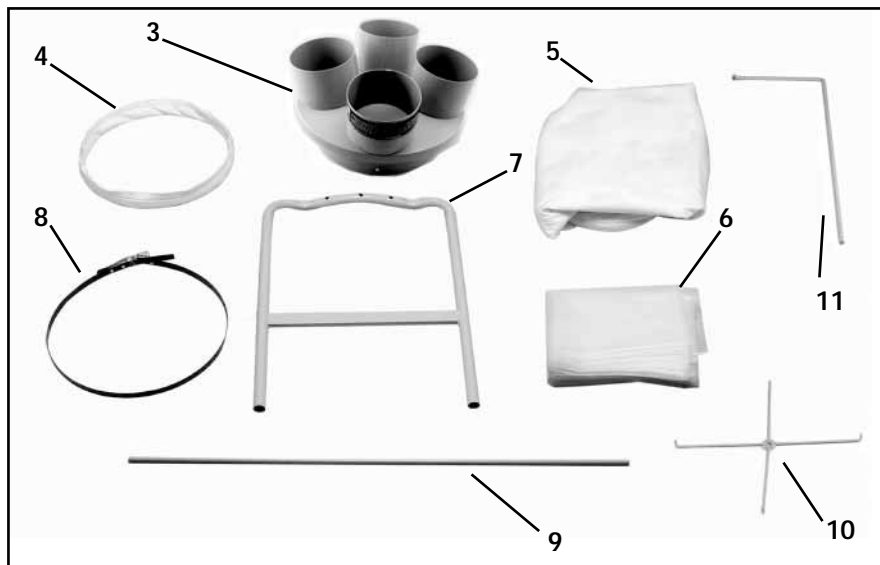


Fig. 1D

4. Anillo de retención para bolsa cubierto de tela (2)
5. Bolsas de filtro superiores de un micrón (2)
6. Bolsa plástica para recolección inferior de seis mil.(4)
7. Patas (2)
8. Abrazadera de retención de la bolsa (2)
9. Poste inferior de apoyo para la bolsa (2)
10. Unidad para colgar las bolsas (2)
11. Poste superior de apoyo para la bolsa (2)



Fig. 1E

- 12. Rueda (4)
- 13. Tapa y anillo de entrada (4)
- 14. Perilla para conectar las patas a la unidad de soplador y motor (6)
- 15. Arandela plana de 9,5 mm (3/8") para las perillas (4)
- 16. Arandelas planas pequeñas de 8 mm (5/16") para las ruedas (16)
- 17. Tornillo de metal M4 para el orificio de admisión de polvo (4)
- 18. Tornillos de cabeza hexagonal de 8 mm x 19,1 mm (5/16" x 3/4")
- 19. Tuerca hexagonal de 8 mm (5/16") (2)
- 20. Tornillo de cabeza hexagonal para la unidad para colgar bolsas de 8 mm (5/16") x 31,75 mm (1 1/4") (2)
- 21. Arandelas grandes para la unidad para colgar bolsas de 8 mm (5/16") (2)
- 22. Arandelas para la unidad para colgar bolsas de 9,52 mm (3/8")

DESEMPAQUETADO Y LIMPIEZA

Desembale cuidadosamente la máquina y todos los elementos sueltos del o los contenedores de envío. Retire el aceite anticorrosivo de las superficies sin pintura con un paño suave humedecido con alcohol mineral, solvente o alcohol desnaturalizado.

⚠ PRECAUCIÓN:

No use solventes volátiles como gasolina, nafta, acetona o solvente de barniz para limpiar la máquina.

Luego de limpiar, cubra las superficies sin pintura con cera en pasta de buena calidad que se utiliza para los pisos del hogar.

ENSAMBLAJE

HERRAMIENTAS DE ENSAMBLAJE REQUERIDAS

* Destornillador con cabeza Phillips

* Llave de 12 mm

ESTIMACIÓN DEL TIEMPO DE ENSAMBLAJE

La asamblea para esta máquina es más o menos 1-2 horas.

⚠ ADVERTENCIA: PARA SU PROPIA SEGURIDAD, NO CONECTE LA MAQUINA A LA FUENTE DE ENERGIA HASTA QUE LA MAQUINA HAYA SIDO ENSAMBLADA POR COMPLETO Y USTED HAYA LEIDO Y ENTENDIDO COMPLETAMENTE EL MANUAL DEL PROPIETARIO.

⚠ ADVERTENCIA ESTA MÁQUINA ES PESADA. SE REQUIEREN DOS O MÁS PERSONAS PARA LEVANTARLA.

RUEDAS

1. Invierta la base (A), como se muestra en la Fig. 1F.
2. Alinee los orificios del conjunto de las ruedas (B) con los de las placas de la base. Coloque una arandela plana pequeña de 8 mm (5/16") sobre un tornillo de cabeza hexagonal de 8 mm x 19,1 mm (5/16" x 3/4"). Inserte el tornillo a través del orificio del conjunto de la rueda y enrósquelo en el orificio de la base. Repita la operación para todos los orificios de todas las ruedas.
3. Apriete el equipo manualmente y luego fíjelo con una llave de 12 mm.

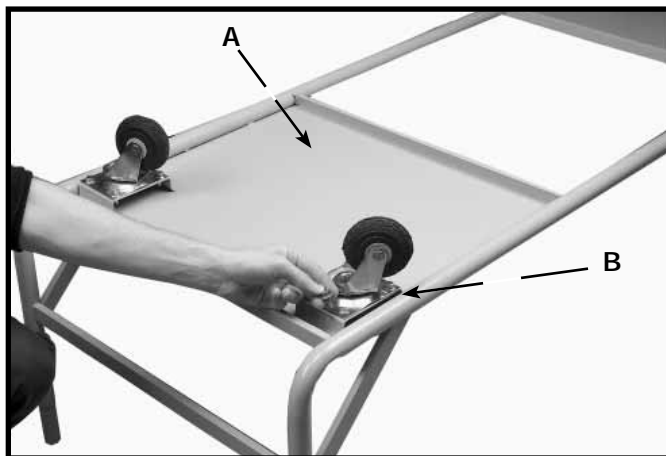


Fig. 1F

PATAS PARA EL CONJUNTO DE MOTOR Y SOPLADOR

1. Coloque el conjunto de motor y soplador con el motor hacia abajo. (Fig. 2)
2. Coloque una arandela plana de 9,5 mm (3/8") sobre la perilla (A) Fig. 2.
3. Alinee los orificios (B) de las patas con los orificios (C) del conjunto de motor y soplador. Las patas deben quedar extendidas hacia arriba. Introduzca la perilla a través del orificio (B) de las patas y enrósquela en el orificio (C) del conjunto de motor y soplador. Ajuste la perilla firmemente.
4. Repita estos pasos para todas las perillas de ambas patas.

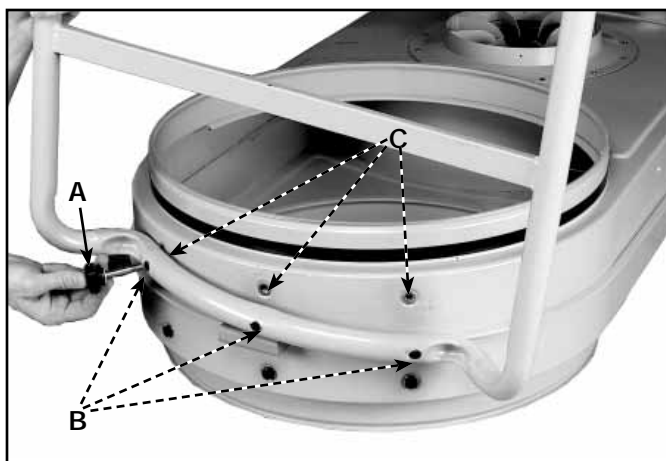


Fig. 2

CÓMO CONECTAR LAS PATAS A LA BASE DEL CONJUNTO DE MOTOR Y SOPLADOR

NOTA: PARA ESTE PASO SE REQUIEREN DOS PERSONAS.

Coloque los cuatro postes de la base (A) Fig. 3 en las cuatro patas (B) del conjunto de motor y soplador.

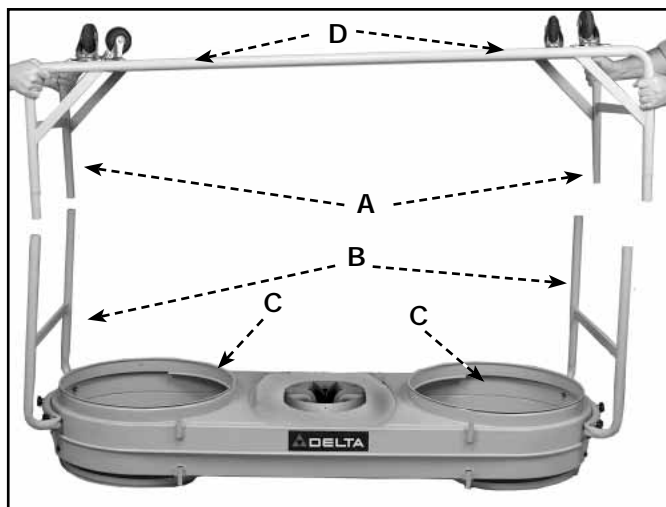


Fig. 3

INSTALACIÓN ALTERNATIVA

Los pasos mencionados hasta ahora son para ensamblar la unidad con el motor arriba y los orificios de admisión de polvo abajo, como se muestra en la Fig. 4.

Esta unidad se puede ensamblar con el orificio de admisión (A) Fig. 5 en la parte superior, siguiendo los pasos de la sección "PATAS PARA EL CONJUNTO DE MOTOR Y SOPLADOR". La excepción es colocar el conjunto de motor y soplador en una superficie plana con el motor (A) Fig. 6 orientado hacia arriba antes de conectar las patas.

NOTA: ANTES DE HACER LA INSTALACIÓN ALTERNATIVA, RETIRE LOS TORNILLOS DE CABEZA HEXAGONAL DE 8 MM (5/16") DE LOS ORIFICIOS (B) (FIG. 6) EN EL CONJUNTO DEL MOTOR Y SOPLADOR Y COLÓQUELOS EN LOS ORIFICIOS (C). SI LOS TORNILLOS NO SE ENCUENTRAN COLOCADOS EN LOS ORIFICIOS (C), HABRÁ UNA FUGA DE AIRE.

CÓMO CONECTAR LOS ORIFICIOS DE ADMISIÓN DE POLVO

⚠ ADVERTENCIA DESCONECTE LA MÁQUINA DE LA FUENTE DE ENERGÍA.

Coloque el orificio de admisión de polvo (A) Fig. 7 sobre el orificio de entrada (B) que se encuentra del lado opuesto del motor. Alinee los cuatro orificios (C) del orificio de admisión con los del conjunto del motor y soplador y sujételos con cuatro tornillos de metal M4.

Dé vuelta la unidad de manera que las ruedas queden en el suelo.

⚠ ADVERTENCIA DEBIDO AL PESO DE LA UNIDAD, MÁS DE UNA PERSONA DEBERÁ CARGAR EL CONJUNTO DE MOTOR Y SOPLADOR PARA COLOCARLO EN POSICIÓN VERTICAL.



Fig. 4

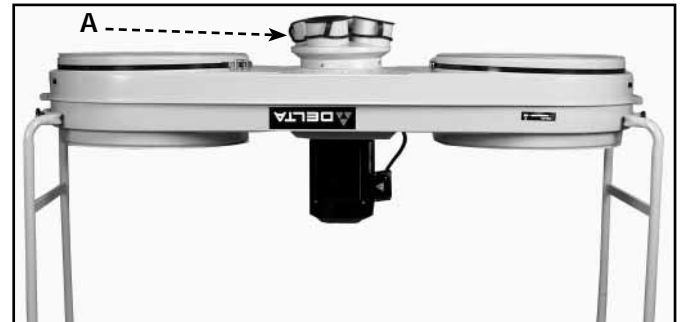


Fig. 5

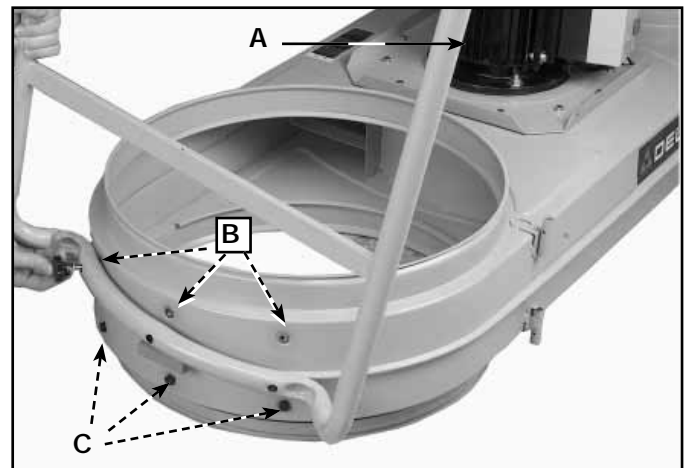


Fig. 6

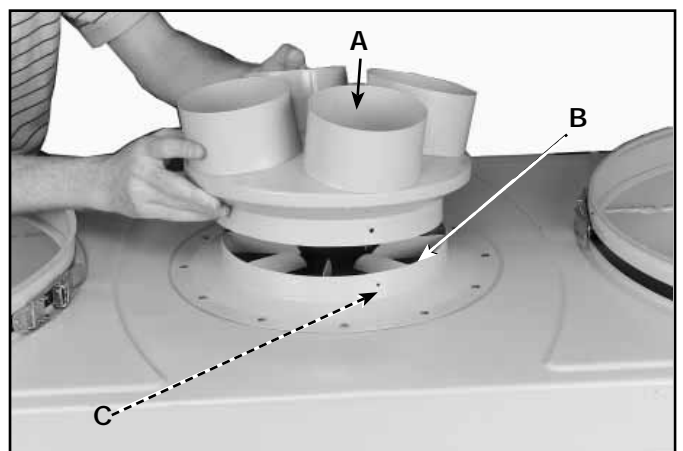


Fig. 7

CÓMO CONECTAR LA BOLSA DE RECOLECCIÓN DE POLVO

CON EL ANILLO FLEXIBLE CUBIERTO DE TELA:

1. Tome el anillo de retención para bolsa cubierto de tela (A) Fig. 8 y colóquelo dentro de la abertura de la bolsa plástica transparente para recolección de polvo. Pliegue aproximadamente 152,4 mm (6 pulgadas) de la bolsa hacia abajo y alrededor del anillo de retención.
2. Coloque la bolsa en el orificio grande (B) Fig. 8 en el conjunto de motor y soplador y calce bien el anillo de retención (A) Fig. 8 y (A) Fig. 9 en la ranura inferior (B) Fig. 9. Es necesario doblar y plegar el anillo para que calce en su lugar.
3. Tire un poco de la bolsa para que no quede floja y asegurarse de que haya un buen calce de modo que la bolsa no se desconecte durante la recolección de polvo.
4. Repetición para el otro bolso.

CON LA ABRAZADERA DE METAL PARA BOLSA:

La bolsa plástica también puede sujetarse a la parte externa del recolector de polvo con la abrazadera incluida (B) Fig. 10:

1. Coloque la abrazadera (B) alrededor de la parte superior de la bolsa plástica (A) y pliegue entre 101,6 mm y 152,4 mm (4 y 6 pulgadas, respectivamente) de la bolsa plástica sobre la abrazadera, como se muestra en la Fig. 10.
2. Coloque la abrazadera y el conjunto de bolsa plástica (A) Fig. 10A, y sujete firmemente la abrazadera como se muestra.
3. Repetición para el otro bolso.

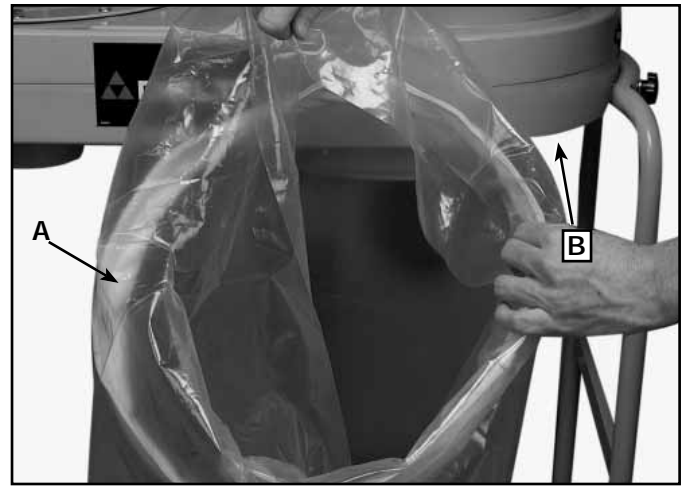


Fig. 8

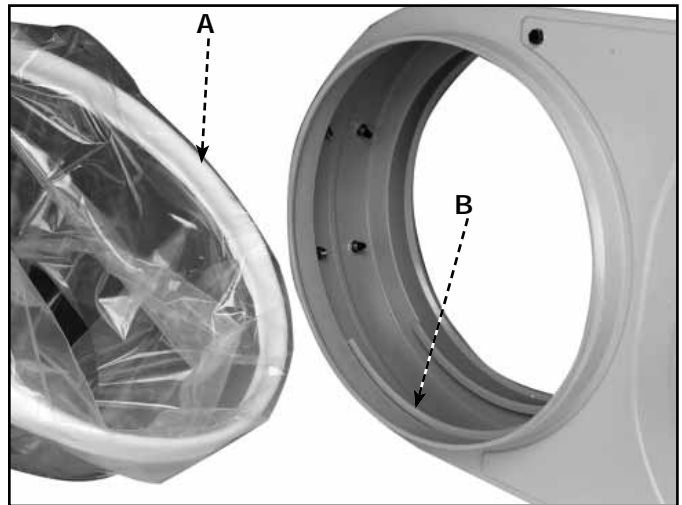


Fig. 9

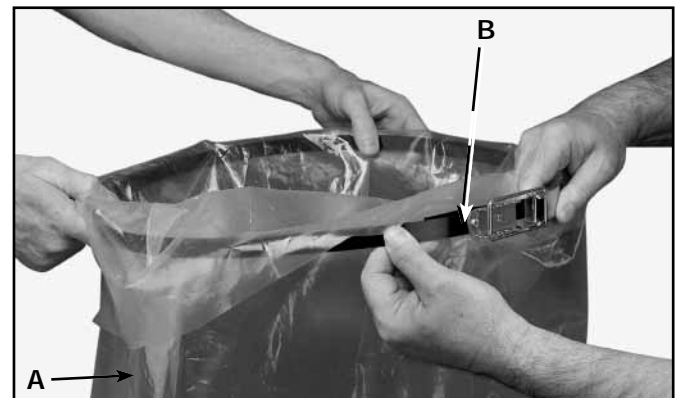


Fig. 10

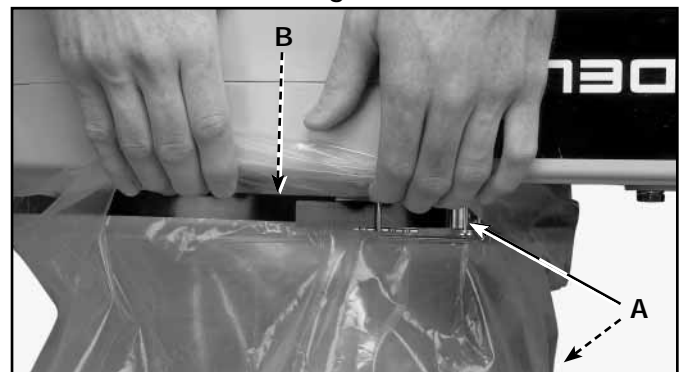


Fig. 10A

CÓMO CONECTAR LAS BOLSAS DE FILTRO SUPERIORES

NOTA: PARA ESTE PASO SE REQUIEREN DOS PERSONAS.

⚠ ADVERTENCIA DESCONECTE LA MÁQUINA DE LA FUENTE DE ENERGÍA.

1. Ensamble las varillas para colgar la bolsa superior (A) e inferior (B) como se muestra en la Fig. 11.
2. Coloque una arandela plana pequeña de 9,5 mm (3/8") sobre un tornillo de cabeza hexagonal de 8 mm x 19,1 mm (5/16" x 1/4"). Inserte el tornillo a través del orificio del centro del conjunto para colgar la bolsa (A) Fig. 12 y Fig. 12A y a través del orificio en la varilla para colgar la bolsa superior (B) Fig. 12. Luego, coloque otra arandela plana grande de 8 mm (5/16") sobre el extremo del tornillo con una tuerca hexagonal del mismo tamaño. El conjunto se muestra completo en la Fig. 12. Ajustelos firmemente con una llave de 12 mm.
3. Cuelgue los lazos para bolsa (C) Fig. 12A alrededor de los ganchos sobre el conjunto para colgar bolsas (B), como se muestra en la Fig. 12A
4. Inserte la varilla (A) Fig. 12B en el orificio del soporte (B). Asegúrese de que ninguno de los cuatro extremos de la bolsa esté doblado.
5. Coloque el extremo abierto de la bolsa de filtro dentro de la ranura superior del tambor del recolector de polvo hasta que quede seguro y sellado. (De manera similar a como se insertó el anillo interior de la bolsa inferior, Fig. 9. Será necesario doblar y plegar el anillo interior de retención para bolsa a fin de que calce en su lugar.
6. La Fig. 12C muestra las bolsas colocadas correctamente.
7. Repita estos pasos para la otra bolsa.

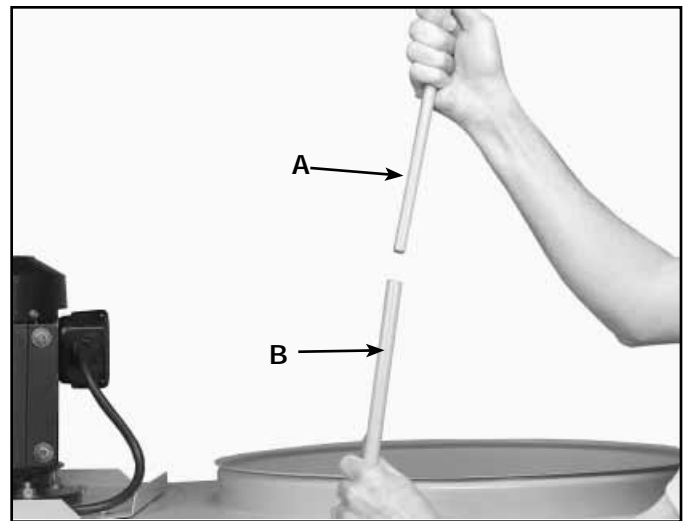


Fig. 11

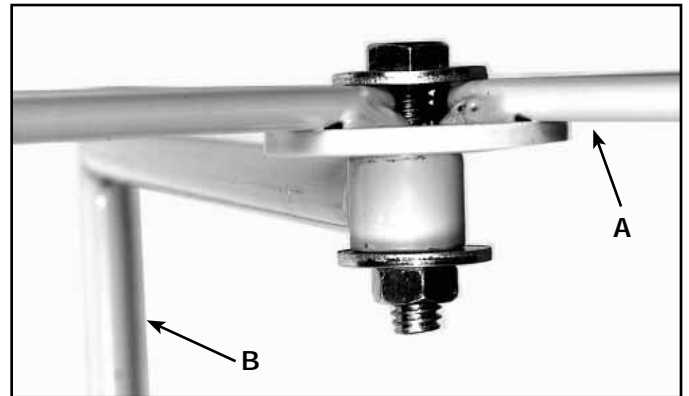


Fig. 12

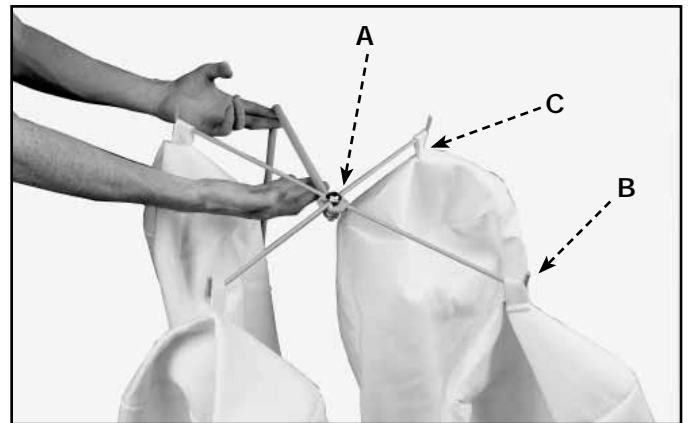


Fig. 12A



Fig. 12C

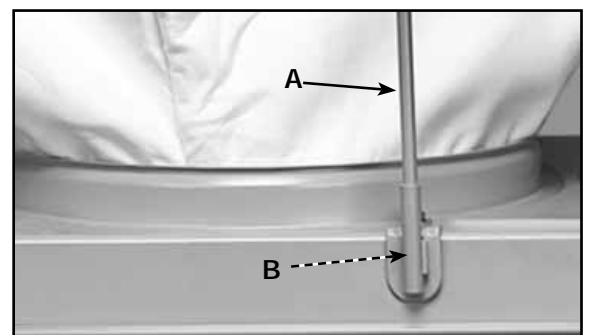


Fig. 12B

CÓMO CONECTAR LA MANGUERA ACCESORIA AL ORIFICIO DE ADMISIÓN

⚠ ADVERTENCIA DESCONECTE LA MANGUERA DE LA FUENTE DE ENERGÍA ANTES DE CONECTAR O DESCONECTAR LA MANGUERA.

Los modelos 50-764/50-765 poseen orificios para recolección de polvo de 127 mm (5"). Proceda de la siguiente manera para cada orificio de sus mangueras accesorias.

NOTA: Coloque el extremo abierto (D) de los anillos de las tapas de entrada alrededor y sobre los extremos de cada orificio de admisión de polvo antes de conectar la manguera.

Para ensamblar la manguera de recolección de polvo de 127 mm (5") al conjunto de motor y soplador, sujete ligeramente la abrazadera de la manguera (A) Fig. 13, alrededor de un extremo de la manguera flexible (B) y ensamble la manguera al orificio de admisión de polvo (C). Apriete la abrazadera de la manguera (A). Ensamble la abrazadera restante al otro extremo de la manguera flexible y a la máquina para carpintería.

NOTA: Consulte la sección "ACCESORIOS" de este manual.

NOTA: No opere el recolector de polvo con alguno de los orificios de admisión de polvo (C) Fig. 13 descubierto. Para cubrir el orificio que no está utilizando con la manguera, coloque la tapa de entrada plana (E) sobre el orificio de admisión de polvo, como se muestra en la Fig. 13.

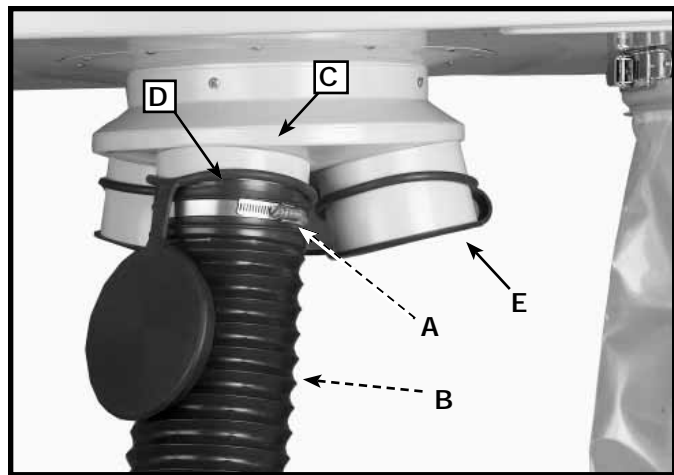


Fig. 13

CABLEADO DE UNA Y TRES FASES

⚠ ADVERTENCIA Se recomienda que un electricista calificado realice la instalación, a fin de asegurar un cableado y una operación del producto seguros y adecuados.

⚠ ADVERTENCIA Desconecte la energía desde la fuente de alimentación antes de realizar el cableado de la máquina.

INSTALACIÓN DE TRES FASES DEL MODELO 50-764 (OPERACIÓN DE 230 VOLTIOS)

Su recolector de polvo está equipado con un motor y un controlador magnético del mecanismo de arranque, y debe estar permanentemente conectado al sistema eléctrico del edificio y con puesta a tierra de acuerdo con el código.

1. Para conectar el recolector a un sistema eléctrico, retire la cubierta del controlador (A) Fig. 14.
2. Introduzca la línea de energía trifásica a través del orificio de acceso (B) Fig. 14, de la parte superior de la caja del controlador y conecte las tres líneas de energía a los terminales (C) Fig. 16, y el cable verde a tierra al tornillo de puesta a tierra (D).

⚠ ADVERTENCIA ASEGÚRESE DE VOLVER A COLOCAR LA CUBIERTA ANTES DE PONER EN MARCHA LA UNIDAD.

⚠ ADVERTENCIA NO INTRODUZCA LOS DEDOS NI NINGÚN OBJETO EXTRAÑO EN EL ORIFICIO DE ADMISIÓN DE POLVO.

⚠ ADVERTENCIA Asegúrese de que la unidad esté correctamente conectada a tierra.

3. Después de conectar el cable de alimentación a la máquina, verifique que la rotación del motor sea en la dirección correcta observando la rotación del ventilador del soplador. El ventilador debe girar en sentido de las agujas del reloj. Es posible invertir la rotación del motor intercambiando dos de las tres líneas de energía entrantes conectadas a los terminales (C) Fig. 15.

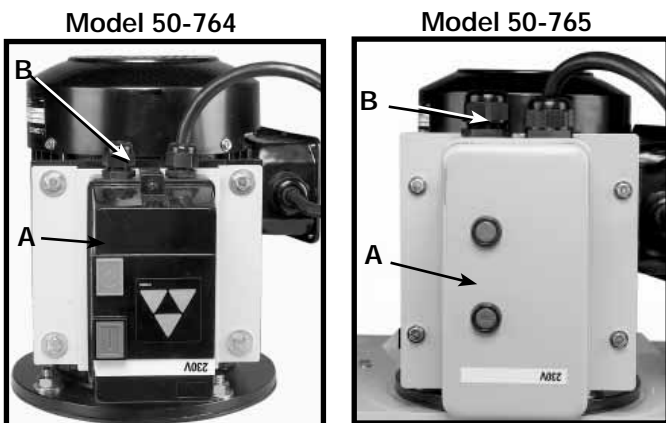


Fig. 14

⚠ ADVERTENCIA ASEGÚRESE DE DESCONECTAR LA MÁQUINA DESDE LA FUENTE DE ENERGÍA ANTES DE INVERTIR LOS CABLES.

FUNCIONAMIENTO A 460 VOLTIOS

Para que el modelo 50-764 funcione a 460 voltios, es necesario reemplazar el mecanismo de arranque y reconfigurar las conexiones internas del motor. Este elemento se puede conseguir en la mayoría de los comercios de suministros eléctricos, y debe instalarlo un electricista calificado.

⚠ ADVERTENCIA NO INTENTE realizar el cableado de la máquina para 460 voltios sin reemplazar el mecanismo de arranque. Caso contrario, la máquina se dañará y podría causar una lesión personal.

INSTALACIÓN DE UNA SOLA FASE DEL MODELO 50-765

Su recolector de polvo está equipado con un motor y un controlador magnético del mecanismo de arranque, y debe estar permanentemente conectado al sistema eléctrico del edificio y con puesta a tierra de acuerdo con el código.

1. Para conectar el recolector a un sistema eléctrico, retire la cubierta del controlador (A) Fig. 14.
2. Introduzca la línea de energía de una fase a través del orificio de acceso (B) Fig. 14, de la parte superior de la caja del controlador y conecte las dos líneas de energía a los terminales (C) Fig. 16, y el cable verde a tierra al tornillo de puesta a tierra (F).

⚠ ADVERTENCIA ASEGÚRESE DE VOLVER A COLOCAR LA CUBIERTA ANTES DE PONER EN MARCHA LA UNIDAD.

⚠ ADVERTENCIA NO INTRODUZCA LOS DEDOS NI NINGÚN OBJETO EXTRAÑO EN EL ORIFICIO DE ADMISIÓN DE POLVO.

⚠ ADVERTENCIA ASEGÚRESE DE QUE LA UNIDAD ESTÉ CORRECTAMENTE CONECTADA A TIERRA.

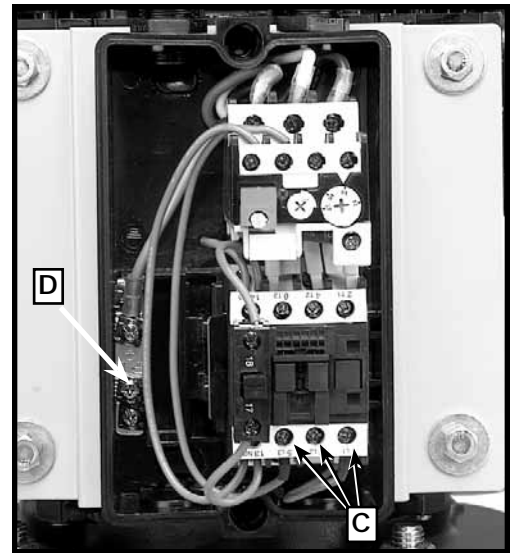


Fig. 15

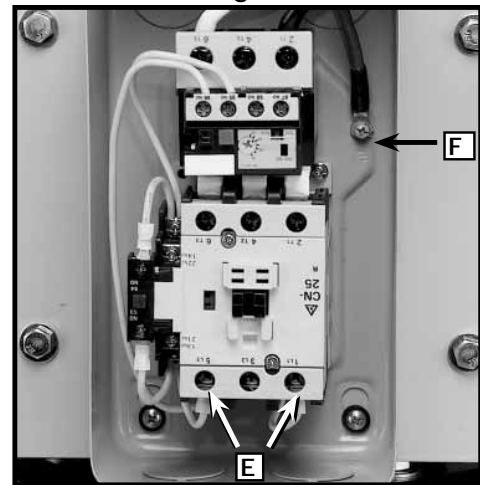


Fig. 16

OPERACIÓN

⚠ ADVERTENCIA PARA SEGURIDAD DEL OPERADOR, NO OPERE LA MÁQUINA SIN CUBRIR TODOS LOS ORIFICIOS DE ADMISIÓN DE POLVO. SE PUEDE ACCEDER AL VENTILADOR GIRATORIO QUE SE ENCUENTRA DENTRO DE LA CAJA DEL SOPLADOR A TRAVÉS DEL ORIFICIO DE ADMISIÓN DE POLVO; LO CUAL PUEDE SER PELIGROSO. SIEMPRE USE EL EQUIPO ADECUADO. NO USE JOYAS Y MANTENGA LOS DEDOS Y TODOS LOS OBJETOS EXTRAÑOS FUERA DEL ORIFICIO DE ADMISIÓN DE POLVO. SIGA LAS REGLAS DE SEGURIDAD DE ESTE MANUAL.

CÓMO ENCENDER Y DETENER EL RECOLECTOR DE POLVO

1. Los botones de encendido (A) y apagado (B) están ubicados en la parte delantera de la caja del motor como se muestra en la Fig. 17. Para encender la máquina, oprima el botón "ENCENDIDO" (ON) (A).
2. Para apagar la máquina, oprima el botón "APAGADO" (OFF) (B).

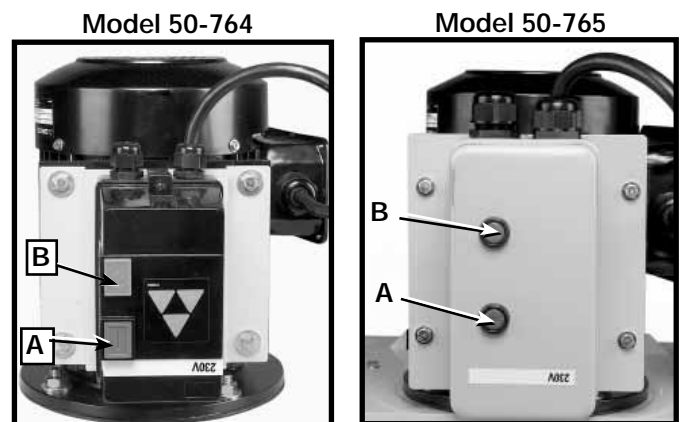


Fig. 17

INTERRUPTOR DE BLOQUEO EN POSICIÓN "APAGADO" PARA EL MODELO 50-764

IMPORTANTE: Cuando la máquina no esté en uso, el botón "ENCENDIDO" (A) Fig. 17 debe estar bloqueado para evitar el uso no autorizado mediante un candado (C) Fig. 18 y una argolla de 4,763 mm (3/16") de diámetro a través del orificio que está junto al botón.

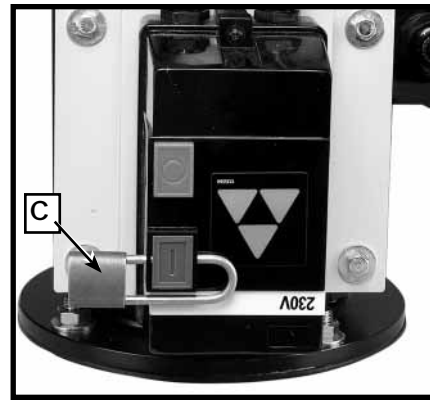


Fig. 18

CÓMO BLOQUEAR LA ENERGÍA PARA EL MODELO 50-765

⚠ ADVERTENCIA EL INTERRUPTOR DE ENERGÍA PARA EL MODELO 50-765 NO PUEDE BLOQUEARSE EN LA POSICIÓN DE APAGADO, Y DEBE BLOQUEARSE EN LA FUENTE DE ENERGÍA PARA EVITAR EL USO AUTORIZADO.

⚠ ADVERTENCIA AL USAR EL RECOLECTOR DE POLVO, NO ASPIRE NADA QUE ESTÉ EN COMBUSTIÓN, EN LLAMAS O ECHANDO HUMO, COMO FÓSFOROS, CIGARRILLOS O CENIZAS CALIENTES.

⚠ ADVERTENCIA NO USE LA MÁQUINA PARA ASPIRAR MATERIALES EXPLOSIVOS COMBUSTIBLES, COMO CARBÓN, GRANOS O CUALQUIER OTRO MATERIAL COMBUSTIBLE DIVIDIDO EN PARTÍCULAS FINAS.

⚠ ADVERTENCIA NO USE LA MÁQUINA PARA ASPIRAR MATERIALES PELIGROSOS, TÓXICOS O CARCINÓGENOS COMO AMIANTO, PESTICIDAS O RESIDUOS DE PINTURA A BASE DE PLOMO.

LOCALIZACION DE FALLAS

Para obtener asistencia para su máquina, visite nuestro sitio Web en www.deltamachinery.com para tener acceso a una lista de centros de servicio o llame a la línea de ayuda de Delta Machinery al 1-800-223-7278. (En Canadá, llame al 1-800-463-3582.)

MANTENIMIENTO

MANTENGA LA MÁQUINA LIMPIA

Periódicamente sople por todas las entradas de aire con aire comprimido seco. Todas las piezas de plástico deben limpiarse con un paño suave y húmedo. NUNCA utilice solventes para limpiar las piezas de plástico. Podrían derretirse o dañar el material.

⚠ ADVERTENCIA Utilice equipo de seguridad certificado para proteger sus ojos, oídos y vías respiratorias cuando use aire comprimido.

FALLA EN EL ENCENDIDO

Si la máquina no enciende, verifique que las patas del enchufe del cable hagan buen contacto en el tomacorriente. Además, revise que no hayan fusibles quemados o interruptores automáticos de circuito abierto en la línea.

SERVICIO

PIEZAS DE REPUESTO

Utilice sólo piezas de repuesto idénticas. Para obtener una lista de piezas o para solicitar piezas, visite nuestro sitio web en servicenet.deltamachinery.com. También puede solicitar piezas en nuestro centro más cercano, o llamando a nuestro Centro de atención al cliente al 1-800-223-7278 para obtener asistencia personalizada de nuestros técnicos capacitados.

con garantía autorizado, visite nuestro sitio web en www.deltamachinery.com o llame a nuestro Centro de atención al cliente al 1-800-223-7278. Todas las reparaciones realizadas por nuestros centros de mantenimiento están completamente garantizadas en relación con los materiales defectuosos y la mano de obra. No podemos otorgar garantías en relación con las reparaciones ni los intentos de reparación de otras personas.

MANTENIMIENTO Y REPARACIONES

Con el paso del tiempo, todas las herramientas de calidad requieren mantenimiento o reemplazo de las piezas. Para obtener información acerca de Delta Machinery, sus sucursales propias o un Centro de mantenimiento

También puede escribirnos solicitando información a Delta Machinery, 4825 Highway 45 North, Jackson, Tennessee 38305 - Mantenimiento de productos. Asegúrese de incluir toda la información mencionada en la placa de la herramienta (número de modelo, tipo, número de serie, etc.)

ACCESORIOS

Una línea completa de accesorios está disponible de su surtidor de Porter-Cable • Delta, centros de servicio de la fábrica de Porter-Cable • Delta, y estaciones autorizadas delta. Visite por favor nuestro Web site www.deltamachinery.com para un catálogo o para el nombre de su surtidor más cercano.

▲ ADVERTENCIA Puesto que los accesorios con excepción de éstos ofrecidos por Delta no se han probado con este producto, el uso de tales accesorios podría ser peligroso. Para la operación más segura, solamente el delta recomendó los accesorios se debe utilizar con este producto.

GARANTIA

Para registrar la herramienta para obtener el mantenimiento cubierto por la garantía de la herramienta, visite nuestro sitio web en www.deltamachinery.com.

Garantía limitada de dos años para productos nuevos

Delta reparará o reemplazará, a expensas y opción propias, cualquier máquina nueva, pieza de máquina nueva o accesorio de máquina nuevo Delta que durante el uso normal haya presentado defectos de fabricación o de material, siempre que el cliente devuelva el producto con el transporte prepago a un centro de servicio de fábrica Delta o una estación de servicio autorizado Delta, con un comprobante de compra del producto, dentro del plazo de dos años y dé a Delta una oportunidad razonable de verificar el supuesto defecto mediante la realización de una inspección. Para todos los productos Delta reacondicionados, el periodo de garantía es de 180 días. Delta podrá requerir que los motores eléctricos sean devueltos con el transporte prepago a una estación autorizada de un fabricante de motores para ser sometidos a inspección y reparación o para ser reemplazados. Delta no será responsable de ningún defecto alegado que haya resultado del desgaste normal, uso indebido, abuso o reparación o alteración realizada o autorizada específicamente por alguien que no sea un centro de servicio autorizado Delta o un representante autorizado Delta. Delta no será responsable en ninguna circunstancia de los daños incidentales o emergentes que se produzcan como resultado de productos defectuosos. Esta garantía es la única garantía de Delta y establece el recurso exclusivo del cliente en lo que respecta a los productos defectuosos; Delta rechaza expresamente todas las demás garantías, expresas o implícitas, tanto de comerciabilidad como de idoneidad para un propósito o de cualquier otro tipo.

The gray & black color scheme is a trademark for Porter-Cable Power Tools and Accessories. The following are also trademarks for one or more Porter-Cable and Delta products: L'agencement de couleurs grise et noire est une marque de commerce des outils électriques et accessoires Porter-Cable. Les marques suivantes sont également des marques de commerce se rapportant à un ou plusieurs produits Porter-Cable ou Delta : AEI gráfico de color negro y gris es una marca registrada para las herramientas eléctricas y los accesorios Porter-Cable. Las siguientes también son marcas comerciales para uno o más productos de Porter-Cable y Delta: 2 BY 4[®], 890[™], Air America[®], AIRBOSS[™], Auto-Set[®], B.O.S.S.[®], Bammer[®], Biesemeyer[®], Builders Saw[®], Charge Air[®], Charge Air Pro[®], CONTRACTOR SUPERDUTY[®], Contractor's Saw[®], Delta[®], DELTA[®], Delta Industrial[®], DELTA MACHINERY & DESIGN[™], Delta Shopmaster and Design[®], Delta X5[®], Deltacraft[®], DELTAGRAM[®], Do It. Feel It.[®], DUAL LASERLOC AND DESIGN[®], EASY AIR[®], EASY AIR TO GO[™], ENDURADIAMOND[®], Ex-Cell[®], Front Bevel Lock[®], Get Yours While the Sun Shines[®], Grip to Fit[®], GRIPVAC[™], GTF[®], HICKORY WOODWORKING[®], Homecraft[®], HP FRAMER HIGH PRESSURE[®], IMPACT SERIES[™], Innovation That Works[®], Jet-Lock[®], Job Boss[®], Kickstand[®], LASERLOC[®], LONG-LASTING WORK LIFE[®], MAX FORCE[™], MAX LIFE[®], Micro-Set[®], Midi-Lathe[®], Monsoon[®], MONSTER-CARBIDE[™], Network[®], OLDHAM[®], Omnijig[®], PC EDGE[®], Performance Crew[™], Performance Gear[®], Pocket Cutter[®], Porta-Band[®], Porta-Plane[®], Porter Cable[®], Porter-Cable Professional Power Tools[®], Powerback[®], POZI-STOP[™], Pressure Wave[®], PRO 4000[®], Proair[®], Quicksand and Design[®], Quickset II[®], QUIET DRIVE TECHNOLOGY[™], QUIET DRIVE TECHNOLOGY AND DESIGN[™], Quik-Change[®], QUIK-TILT[®], RAPID-RELEASE[™], RAZOR[®], Redefining Performance[®], Riptide[®], Safe Guard II[®], Sand Trap and Design[®], Sanding Center[®], Saw Boss[®], Shop Boss[®], Sidekick[®], Site Boss[®], Speed-Bloc[®], Speedmatic[®], Stair Ease[®], Steel Driver Series[®], SUPERDUTY[®], T4 & DESIGN[®], THE AMERICAN WOODSHOP[®], THE PROFESSIONAL EDGE[®], Thin-Line[®], Tiger Saw[®], TIGERCLAW[®], TIGERCLAW AND DESIGN[®], Torq-Buster[®], TRU-MATCH[®], T-Square[®], Twinlaser[®], Unifence[®], Uniguard[®], UNIRIP[®], UNISAW[®], UNITED STATES SAW[®], Veri-Set[®], Versa-Feeder[®], VIPER[®], VT[™], VT RAZOR[™], Water Driver[®], WATER VROOM[®], Waveform[®], Whisper Series[®], X5[®], YOUR ACHIEVEMENT. OUR TOOLS.[®]

Trademarks noted with ® are registered in the United States Patent and Trademark Office and may also be registered in other countries. Other trademarks may apply. À Les marques de commerce suivies du symbole ® sont enregistrées auprès du United States Patent and Trademark Office et peuvent être enregistrées dans d'autres pays. D'autres marques de commerce peuvent également être applicables. À Lasmarcas comerciales con el símbolo ® están registradas en la Oficina de patentes y marcas comerciales de Estados Unidos (United States Patent and Trademark Office), y también pueden estar registradas en otros países. Posiblemente se apliquen otras marcas comerciales registradas.



Delta Machinery
 4825 Highway 45 North
 Jackson, TN 38305
 (800) 223-7278
www.deltamachinery.com

Free Manuals Download Website

<http://myh66.com>

<http://usermanuals.us>

<http://www.somanuals.com>

<http://www.4manuals.cc>

<http://www.manual-lib.com>

<http://www.404manual.com>

<http://www.luxmanual.com>

<http://aubethermostatmanual.com>

Golf course search by state

<http://golfingnear.com>

Email search by domain

<http://emailbydomain.com>

Auto manuals search

<http://auto.somanuals.com>

TV manuals search

<http://tv.somanuals.com>