

48313 48313 48313 48313



**IMPORTANT DOCUMENTS ENCLOSED**

**CAUTION:**

To reduce the risk of injury due to hot water burns, make sure the enclosed labels are applied where specified on the label.

---

**DOCUMENTOS IMPORTANTES INCLUIDOS**

**AVISO:**

Para reducir el riesgo de lesión por quemaduras de agua caliente, asegúrese que las etiquetas incluidas se han aplicado donde se ha especificado en la etiqueta.

---

**DOCUMENTS IMPORTANTS À L'INTÉRIEUR**

**MISE EN GARDE :**

Pour réduire le risque d'ébouillantage, veuillez apposer les étiquettes fournies aux endroits indiqués sur celles-ci.

48313 48313 48313 48313

**NOTICE TO INSTALLER:** Place this label on the water heater next to the temperature adjustment knob.

**WARNING:**

These series of tub/shower valves do not adjust automatically for changes in temperature at the hot water heater or inlet. If the temperature setting of the hot water heater or inlet is changed, the setting on these valves **must be adjusted manually!** Failure to re-adjust the valve may result in hot water burns or extreme cold resulting from variations in line pressure (such as when a dishwasher or washing machine is in use while you are taking a shower). After installation, verify that the rotational limit stop (18 series) or temperature knob (18T series) on the valve is set so that changes in line pressure or temperature do not result in uncomfortable water temperature changes. **If the temperature setting of the hot water heater or inlet is changed after installation of the valve, the setting of the rotational limit stop or temperature knob also must be changed!** Consult the installation instruction sheet for instructions on how to make this setting, or call us at 1-800-345-DELTA.

**AVISO AL INSTALADOR:** Coloque esta etiqueta en el calentador de agua al lado de la perilla para el ajuste de temperatura.

**AVISO:**

Esta serie de válvulas para bañeras/regaderas no se ajustan automáticamente a los cambios de temperatura en el calentador de agua o en el agua de entrada. Si el ajuste de la temperatura del calentador de agua o la temperatura del agua que entra cambia ¡El ajuste de estas válvulas se debe hacer manualmente! El no reajustar la válvula puede resultar en quemaduras por agua caliente o temperaturas de agua extremadamente frías resultando en variaciones de presión y temperatura (como cuando el fregador de platos o la lavadora están funcionando mientras que se baña). Después de la instalación, verifique que el control o tope del límite rotacional (Series 18) o la perilla del control de temperatura (Series 18T) en la válvula está ajustada para que los cambios de presión y de temperatura en la línea no resulten en cambios incómodos de temperatura del agua. **Si el ajuste de la temperatura del calentador de agua o de la entrada de agua se cambia después de la instalación de la válvula, el ajuste del tope del límite rotacional o la perilla de ajuste ¡también se debe cambiar!** Consulte con su hoja de instrucciones de instalación para saber como se ajusta o cambia el ajuste, o llámenos al 1-800-345-DELTA.

**AVIS À L'INSTALLATEUR:** Fixez cette étiquette sur le chauffe-eau près du bouton de réglage de température.

**ATTENTION :**

La soupape de robinet de baignoire ou de douche de cette série ne se règle pas automatiquement en fonction des changements de température de l'eau chaude au chauffe-eau ou de l'eau d'alimentation. En cas de modification du réglage de température du chauffe-eau ou de la température de l'eau d'alimentation, le réglage de cette soupape doit être **modifié manuellement!** Si le réglage de la soupape n'est pas modifié, le robinet pourra permettre l'écoulement d'eau très chaude susceptible de causer l'ébullition de l'eau ou d'eau très froide, sous l'effet des variations de pression et de température dans la tuyauterie d'alimentation (lorsque la douche est utilisée en même temps que le lave-vaisselle ou la machine à laver, par exemple). Après l'installation, assurez-vous que la butée de température maximale (séries 18) ou le bouton de température (séries 18T) sur la soupape est réglé de manière que les fluctuations de pression et de température dans la tuyauterie d'alimentation n'entraînent pas de changements de température de l'eau inconfortables. **En cas de modification du réglage de température du chauffe-eau ou de la température de l'eau d'alimentation après l'installation de la soupape, le réglage de la butée de température maximale ou du bouton de température doit être modifié!** Pour régler le bouton de température, consultez la feuille d'instructions d'installation ou appelez-nous au 1-800-345-DELTA.

**NOTICE TO INSTALLER:** Place this label close to the valve where the owner will see it, such as inside the door of a cabinet or vanity.

**WARNING:**

Water temperature changes due to seasonal or other inlet variations, such as changing the setting on the hot water heater may require adjustment of the rotational limit stop (18 Series) or temperature knob (18T Series) on your tub/shower valve to ensure a safe maximum temperature. These valve series do not automatically adjust for inlet temperature changes. If changes occur and you are not sure how to make the necessary rotational limit stop or temperature knob adjustments, please consult the installation instruction sheet provided with this valve or call 1-800-345-DELTA. These valve series are designed to minimize the effects of outlet water temperature changes due to inlet pressure changes, commonly caused by dishwashers, washing machines, toilets and the like. **They may not provide protection from hot water burns when there is a failure of other temperature controlling devices elsewhere in the plumbing system.** After making the necessary adjustments please fill in the information below. This valve/system has been set by the person listed below to ensure a safe maximum temperature. Any change in the setting may raise the discharge temperature above the limit considered safe and could lead to hot water burns. If this label has not been completed, you should verify that the rotational limit stop or temperature knob has been properly adjusted to suit your individual installation. The installation instruction sheet supplied with the valve provides information on how to make this setting.

**AVISO AL INSTALADOR:** Coloque esta etiqueta cerca de la válvula donde el propietario la pueda ver, tal como dentro de la puerta del gabinete o el tocador.

**AVISO:**

Los cambios de temperatura del agua por variaciones estacionales u otras variaciones en el agua de entrada, como el cambio por el ajuste en el calentador de agua, puede requerir el ajuste del tope del límite rotacional (Series 18) o ajuste de la perilla para el control de la temperatura (Series 18T) de la válvula de su unidad bañera/regadera para asegurar una temperatura máxima segura. Esta serie de válvulas no se ajusta automáticamente para los cambios de temperatura del agua de entrada. Si cambios ocurren y usted no está seguro como hacer los ajustes necesarios con la perilla para controlar la temperatura, por favor consulte la hoja de instrucciones de instalación proporcionada con esta válvula o llámenos al 1-800-345-DELTA. Las válvulas de esta serie están diseñadas para minimizar los efectos por cambios de temperatura en el agua de entrada por cambios en la presión del agua, comúnmente causados por el uso simultáneo de fregadoras de platos, lavadoras, inodoros y aparatos similares. **Estas pueden no proporcionar protección de quemaduras por el agua caliente cuando hay una falla de otros mecanismos que controlan la temperatura del agua en otro sitio del sistema de plomería.** Después de hacer los ajustes necesarios, por favor escriba la información suministrada a continuación. Esta válvula/sistema ha sido ajustada por la persona indicada a continuación para ayudar a asegurar una temperatura máxima segura. Cualquier cambio al ajuste puede aumentar la temperatura del agua de descarga sobre el límite considerado seguro y puede resultar en quemaduras por agua caliente. Si esta etiqueta no se ha llenado, debe verificar si el control o tope del límite rotacional o la perilla que controla la temperatura han sido correctamente ajustadas al gusto de su instalación individual. La hoja de instrucciones de instalación proporcionada con las válvulas le suministra información sobre como hacer este ajuste.

**AVIS À L'INSTALLATEUR:** Fixez cette étiquette près du robinet, à la vue du propriétaire, à l'intérieur de la porte du meuble ou de la coiffeuse, par exemple.

**ATTENTION :**

Les modifications de la température de l'eau attribuables au changement de saison ou à d'autres facteurs, comme la modification du réglage du chauffe-eau, peuvent nécessiter un réglage de la butée de température maximale (séries 18) ou du bouton de température (séries 18T) de la soupape de votre robinet pour baignoire et de douche. La soupape de robinet de ces séries ne se règle pas automatiquement en fonction des changements de température de l'eau chaude de l'eau d'alimentation. En cas de modification de la température de l'eau d'alimentation, si vous ne savez pas comment régler la butée de température maximale ou le bouton de température, veuillez consulter le feuillet d'instructions d'installation fourni avec la soupape ou appeler au 1-800-345-DELTA. La soupape de cette série est conçue pour limiter la variation de la température de l'eau pouvant résulter des fluctuations de température et de pression dans la tuyauterie d'alimentation. Ces fluctuations sont habituellement causées par une utilisation simultanée du lave-vaisselle, de la machine à laver, d'un cabinet d'aisances ou d'un autre appareil qui consomme de l'eau. **La soupape peut ne pas protéger l'utilisateur contre l'ébullition en cas de défectuosité d'un autre dispositif de régulation de la température de l'eau situé ailleurs dans la tuyauterie.** Après avoir effectué les réglages nécessaires, veuillez inscrire l'information requise ci-dessous. Cet appareil de robinetterie a été réglé par la personne dont le nom figure ci-dessous pour que la température maximale de l'eau soit sans danger. Toute modification du réglage peut occasionner une élévation de la température de l'eau à la sortie du robinet et l'eau qui s'écoulera pourra être suffisamment chaude pour causer l'ébullition. Si la présente étiquette n'a pas été remplie, assurez-vous que la butée de température maximale ou le bouton de température a bien été réglé en fonction des caractéristiques de votre installation. La marche à suivre pour faire le réglage figure dans les instructions d'installation fournies avec la soupape.

**TO BE FILLED OUT BY THE INSTALLER / PARA SER LLENADO POR EL INSTALADOR / A REMPLIR PAR L'INSTALLATEUR:**

BY/POR/PAR \_\_\_\_\_ COMPANY/COMPANIA/COMPAGNIE \_\_\_\_\_  
DATE/FECHA/LE \_\_\_\_\_ PHONE/TELÉFONO/TELÉPHONE \_\_\_\_\_

<p><b>18 Series</b></p> <p>Rotational Limit stop is located under the handle.</p> <p>Hotter Más Caliente Plus Chaud</p> <p>Colder Más Fría Plus Froid</p>	<p><b>18T Series</b></p> <p>Temperature Knob Pomo para el ajuste de temperatura Bouton de Température</p>
---	---

<p><b>18 Series</b></p> <p>Rotational Limit stop is located under the handle.</p> <p>Hotter Más Caliente Plus Chaud</p> <p>Colder Más Fría Plus Froid</p>	<p><b>18T Series</b></p> <p>Temperature Knob Pomo para el ajuste de temperatura Bouton de Température</p>
---	---



# Single Handle Monitor® MultiChoice® Jetted Shower™ Trim Installation Instructions



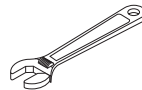
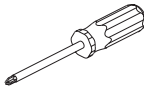
ASME A112.18.1 / CSA B125.1  
ASSE 1016

## Owners Manual

### 18 & 18T Series

Write purchased model number here.

### You May Need



### Table of Contents:

Warranty .....	Page 2
18 Series Installation Instructions	
Separate Units - T18430 & T18455 Series .....	Pages 3 - 8
Single Units - T18230, T18240 & T18255 Series .....	Pages 9 - 14
18T Series Installation Instructions .....	Pages 15 - 20
Maintenance .....	Page 21
Replacement Parts .....	Pages 22 - 29

### THIS VALVE MEETS OR EXCEEDS THE FOLLOWING STANDARDS:

**ASME A112.18.1/CSA B125.1 and ASSE 1016.**  
CAUTION: This system/device must be set by the installer to ensure safe, maximum temperature. Any change in the setting may raise the discharge temperature above the limit considered safe and may lead to hot water burns.

**NOTICE TO INSTALLER: CAUTION!**—As the installer of this valve, it is your responsibility to properly INSTALL and ADJUST this valve per the instructions given. This valve does not automatically adjust for inlet temperature changes, therefore, someone must make the necessary Rotational Limit Stop or temperature knob adjustments at the time of installation and further adjustments may be necessary due to seasonal water temperature change. YOU MUST inform the owner/user of this requirement by following the instructions. If you or the owner/user are unsure how to properly make these adjustments, please refer to page 8 and 14 (18 series) or page 20 (18T series) and if still uncertain, call us at 1-800-345-DELTA. After installation and adjustment, you must affix your name, company name and the date you

adjusted the Rotational Limit Stop or temperature knob to the caution label provided and apply or attach the label to the back side of the closest cabinet door and the warning label to the water heater. **Leave this Instruction Sheet for the owner's/user's reference.**

**WARNING:** This pressure balanced or thermostatic bath valve is designed to minimize the effects of outlet water temperature changes due to inlet pressure changes, commonly caused by dishwashers, washing machines, toilets and the like. It may not provide protection from hot water burns when there is a failure of other temperature controlling devices elsewhere in the plumbing system, if the rotational limit stop or temperature knob is not properly set or if the hot water temperature is changed after the settings are made or if the water inlet changes due to seasonal changes.

**WARNING:** Do not install a shut-off device on either outlet of this valve. When this type of device shuts off the water flow, it can defeat the ability of the valve to balance the hot and cold water pressures.

## Lifetime Faucet and Finish Limited Warranty

All parts and finishes of the Delta® faucet are warranted to the original consumer purchaser to be free from defects in material & workmanship for as long as the original consumer purchaser owns their home. Delta Faucet Company recommends using a professional plumber for all installation & repair.

Delta will replace, FREE OF CHARGE, during the warranty period, any part or finish that proves defective in material and/or workmanship under normal installation, use & service. Replacement parts may be obtained by calling 1-800-345-DELTA (in the U.S. and Canada) or by writing to:

In the United States:  
Delta Faucet Company  
Product Service  
55 E. 111th Street  
Indianapolis, IN 46280

In Canada:  
Masco Canada Limited, Plumbing Group  
Technical Service Centre  
420 Burbrook Place  
London, ON N6A 4L6

This warranty is extensive in that it covers replacement of all defective parts and even finish, but these are the only two things that are covered. LABOR CHARGES AND/OR DAMAGE INCURRED IN INSTALLATION,

REPAIR, OR REPLACEMENT AS WELL AS ANY OTHER KIND OF LOSS OR DAMAGES ARE EXCLUDED. Proof of purchase (original sales receipt) from the original consumer purchaser must be made available to Delta for all warranty claims. THIS IS THE EXCLUSIVE WARRANTY BY DELTA FAUCET COMPANY, WHICH DOES NOT MAKE ANY OTHER WARRANTY OF ANY KIND, INCLUDING THE IMPLIED WARRANTY OF MERCHANTABILITY.

This warranty excludes all industrial, commercial & business usage, whose purchasers are hereby extended a five year limited warranty from the date of purchase, with all other terms of this warranty applying except the duration of the warranty. This warranty is applicable to Delta® faucets manufactured after January 1, 1995.

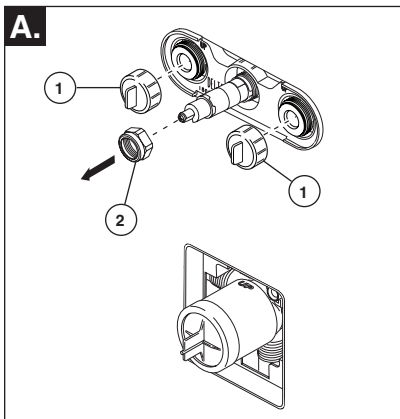
Some states/provinces do not allow the exclusion or limitation of incidental or consequential damages, so the above limitation or exclusion may not apply to you. Any damage to this faucet as a result of misuse, abuse, or neglect, or any use of other than genuine Delta® replacement parts WILL VOID THE WARRANTY.

This warranty gives you specific legal rights, and you may also have other rights which vary from state/province to state/province. It applies only for Delta® faucets installed in the United States of America, Canada, and Mexico.

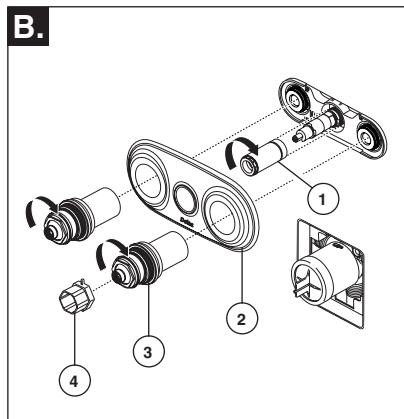
© 2008 Masco Corporation of Indiana

## 1

### Jetted Shower™ Jet Module Trim Installation

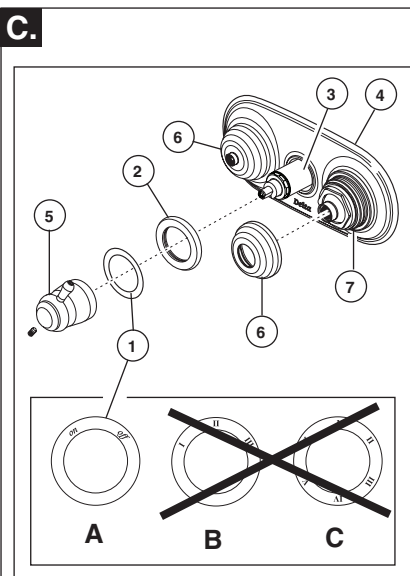


**Turn off water supplies.** Unscrew test caps (1) from the body. If this is not a thin wall mounting, the entire plasterguard may be removed. Remove bonnet nut (2) from the body.



Thread sleeve (1) onto brass body, use wrench to tighten. Place the oval escutcheon (2) over jet body module. Thread the jet sleeve assemblies (3) onto the jet body module. Use the wrench (4) to tighten the sleeve assemblies.

**CAUTION: DO NOT OVERTIGHTEN. TIGHTEN UNTIL THE ESCUTCHEON IS FLAT AGAINST THE WALL.**



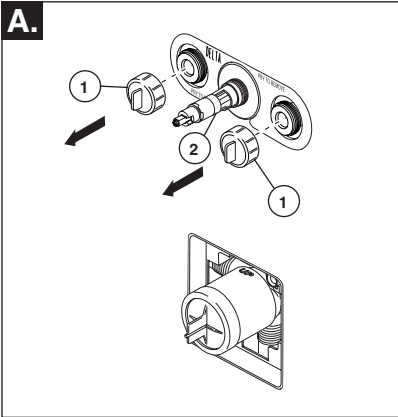
Select proper label (1) (the off/on label A is used on the standard Jetted Shower™ only) and assemble onto trim ring (2). (Refer to chart below for proper label selection.) Slide trim ring onto sleeve (3) until it bottoms out on the escutcheon (4). Install handle (5) onto stem, tighten set screw to secure. Thread the bonnet assemblies (6) onto the jet sleeve assemblies (7).

	Jetted Shower™	Jetted Shower XO™	
		2 Ports	3 Ports
Stem Extender	White	Blue	Black
Label	A	B	C

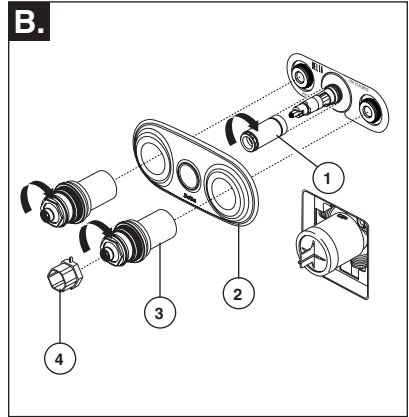
# 18 Series Installation - Separate Units

## 1

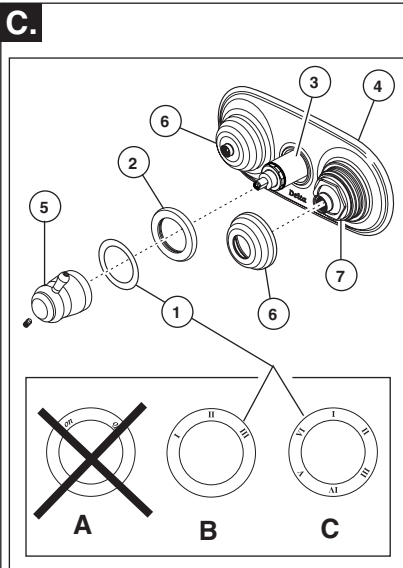
### Jetted Shower XO™ Jet Module Trim Installation



**Turn off water supplies.** Unscrew test caps (1) from the body. If this is not a thin wall mounting, the entire plasterguard may be removed. **IMPORTANT: NOTE COLOR OF BASE ON STEM EXTENDER (2) FOR USE LATER. (SEE CHART BELOW FOR REFERENCE.)**



Thread sleeve (1) onto brass body, use wrench to tighten. Place the oval escutcheon (2) over jet body module. Thread the jet sleeve assemblies (3) onto the jet body module. Use wrench (4) to tighten the sleeve assemblies. **CAUTION: DO NOT OVERTIGHTEN. TIGHTEN UNTIL THE ESCUTCHEON IS FLAT AGAINST THE WALL.**

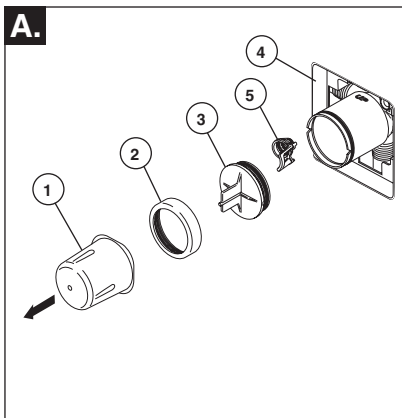


Select proper label (1), the 3 position label B (used with the blue stem extender) or 6 position label C (used with the black stem extender) and assemble onto trim ring (2). (Refer to chart below for proper label selection.) Slide trim ring onto sleeve (3) until it bottoms out on the escutcheon (4). Install handle (5) onto stem, tighten set screw to secure. Thread the bonnet assemblies (6) onto the jet sleeve assemblies (7).

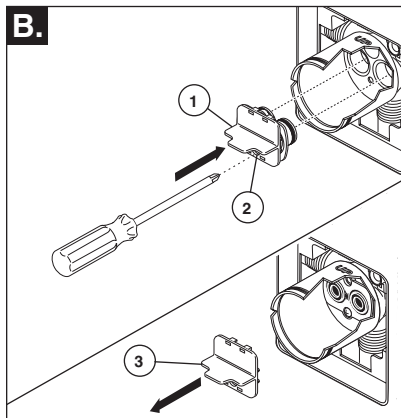
	Jetted Shower™	Jetted Shower XO™	
		2 Ports	3 Ports
Stem Extender	White	Blue	Black
Label	A	B	C

## 2

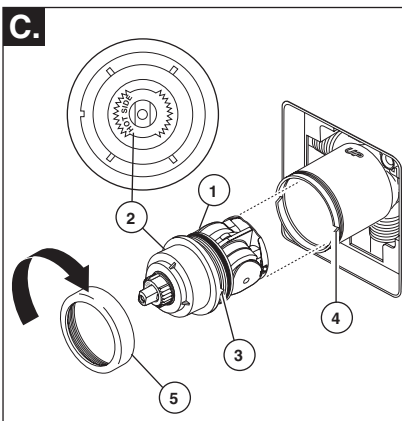
### Cartridge Installation



**Turn off water supplies.** Remove cover (1), bonnet nut (2) and test cap (3) from the body. If this is not a thin wall mounting, the entire plasterguard (4) may be removed. If screen (5) is in place, remove before installing cartridge.

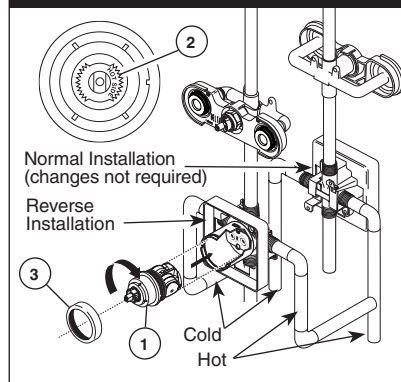


Insert adapter assembly (1) into valve body. Make sure the adapter assembly is correctly positioned and is pressed all the way down inside body. Secure adapter with the screw (2) provided in the adapter assembly. Remove the retainer (3) from the adapter.



Rotate cartridge (1) so the words "HOT SIDE" (2) appear on the left. Insert cartridge assembly into valve body. Make sure the key (3) on the cartridge is fully engaged with the slot in the brass body (4). Slide bonnet nut (5) over the cartridge and thread onto the body. Hand tighten securely.

### Back to back Installation

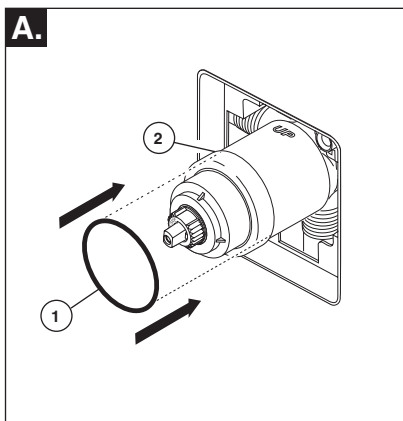


For back to back or reverse installations (hot on right and cold on left): Rotate cartridge (1) so the words "HOT SIDE" (2) appear on the right. Install the cartridge making sure that the key is fully engaged with the slot in the brass body (See step C). Slide bonnet nut (3) over the cartridge and thread onto the body. Hand tighten securely.

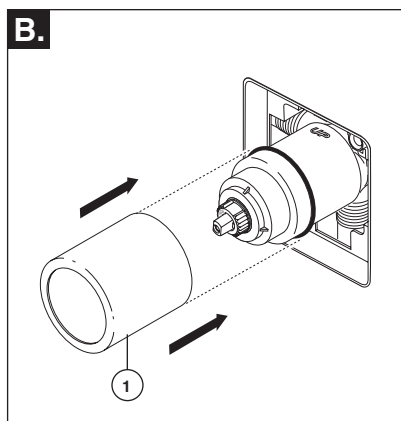
## 18 Series Installation - Separate Units

### 3

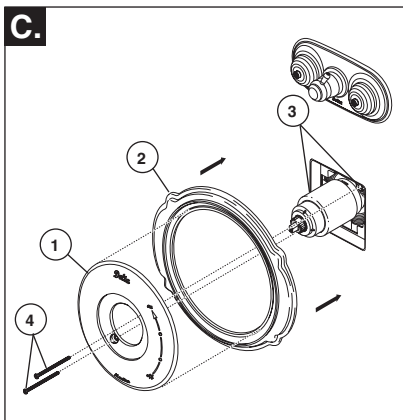
#### Trim Installation



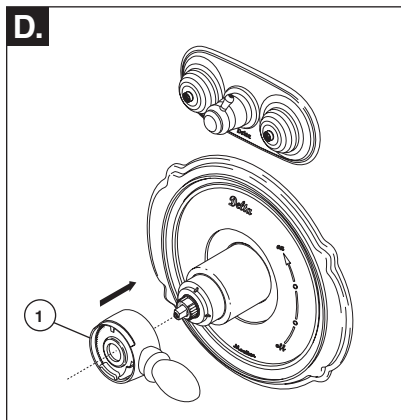
Slide O-ring (1) over cartridge and the bonnet nut (2). The O-ring, which acts as a spacer to steady the sleeve, should rest behind the bonnet nut.



Slide the sleeve (1) over the cartridge, body and O-ring. Ensure sleeve is properly positioned over the front of cartridge.



Secure the escutcheon (1) and backplate (2) (if your model has one) to the bracket (3) with the 2 screws provided (4). Do not overtighten escutcheon screws.



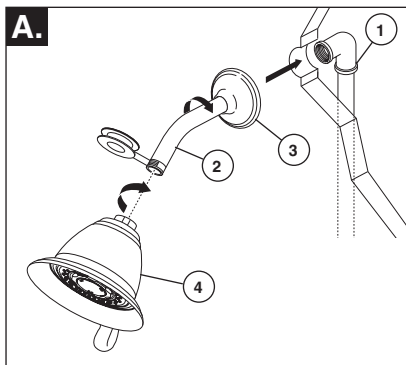
Install volume control handle (1) with lever to the right. **DO NOT SECURE WITH SCREW.**



## 18 Series Installation - Separate Units

### 4

#### Showerhead and Tub Spout Installation

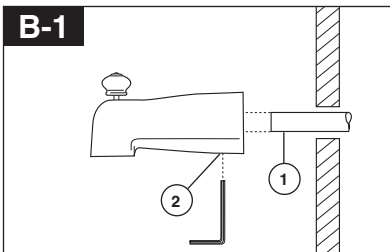


#### FOR SHOWERHEAD INSTALLATION:

Connect top outlet (1) to shower arm (2) with proper fittings. To prevent damage to finish on shower arm, insert wall end of shower arm into shower flange (3) before screwing arm into riser connection. Thread showerhead (4) onto shower arm. Apply Teflon® tape to pipe thread on both ends. Do not overtighten showerhead.

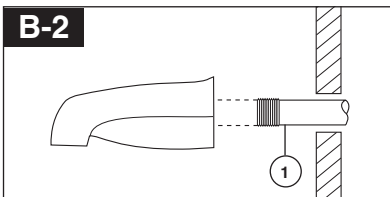
#### FOR TUB SPOUT INSTALLATION:

Refer to the installation instructions supplied with your spout. Do not connect deck mount spouts to in-wall valves. Do not use hand showers connected in lieu of a tub spout to a tub/shower valve. Do not use PEX tubing for tub spout drop.



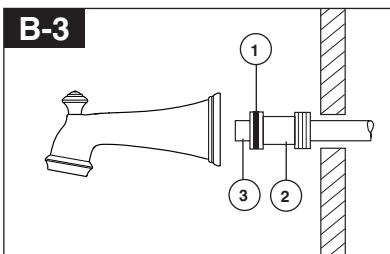
#### Slip-On Installation

The copper tube (1) must be 1/2" nominal copper. Important: If it is necessary to cut the copper tube, the end must be chamfered free of burrs to prevent cutting or nicking O-ring inside the spout. Slide spout over copper tube flush with the finished tub or wall surface. Tighten set screw (2), but do not overtighten.



#### Iron Pipe Installation

Install threaded pipe nipple (1) to extend past finished wall. Apply Teflon® tape to threads on pipe nipple and screw on tub spout.



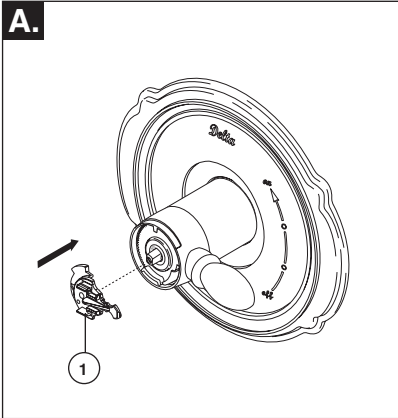
#### Copper Sweat Installation

Remove O-ring (1) from adapter (2). Solder adapter to tube taking care to keep solder away from O-ring groove. CAUTION: NO SOLDER PERMITTED ON OUTSIDE DIAMETER OF ADAPTER ADJACENT TO O-RING GROOVE. Cut off tube (3) and replace O-ring on groove of brass adapter. Thread tub/spout onto adapter, taking care not to damage O-ring, and hand tighten until spout is firmly against finished wall and all slack is taken up behind wall.

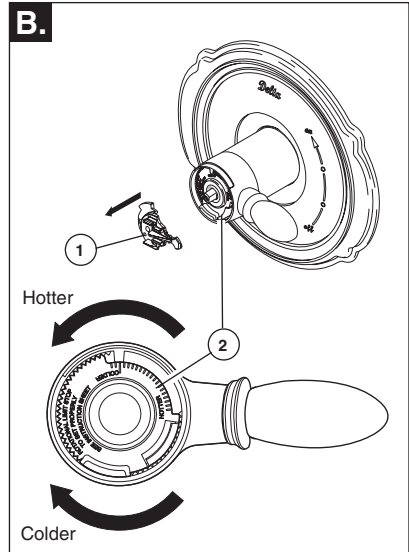
## 18 Series Installation - Separate Units

### 5

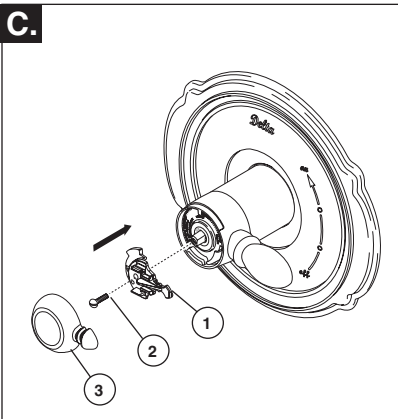
#### Installation and Adjustment of the Rotational Limit Stop



Place the temperature control knob (1) on volume handle and rotate to the mixed position (if required). **DO NOT SECURE WITH SCREW.** Turn on water supplies; let the water run until both hot and cold water is as hot/cold as possible. Place thermometer in a plastic tumbler, and hold the tumbler in the water stream. Record the temperature reading.



If the water temperature is above 120°F, remove the temperature control knob (1) and rotate the limit stop (2) clockwise one tooth for every 4°F - 6°F (approximate) change in temperature. If water temperature is cooler than desired, rotate the limit stop counterclockwise.

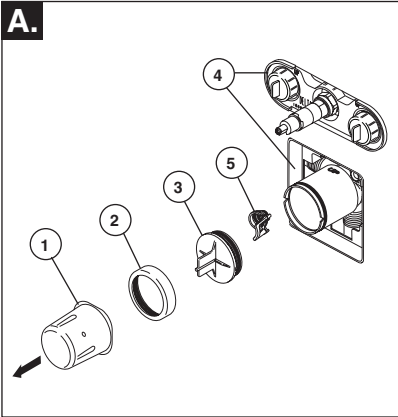


Secure temperature control knob (1) with screw (2) and snap control cover (3) onto knob. **NOTE: Secure screw until handle wobble is reduced, DO NOT FULLY TIGHTEN.** Overtightening will result in difficulty to operate temperature control knob. Screw is self locking.

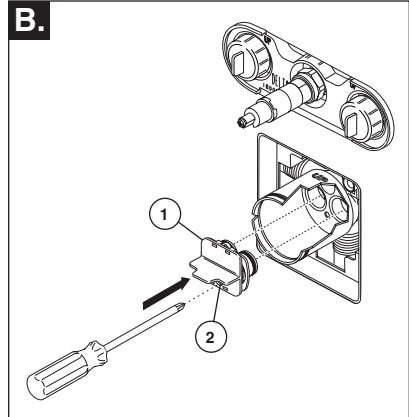
**IMPORTANT:** The first position of the Rotational Limit Stop (the Limiter) is that position that restricts the rotation of the stem the most and is at the maximum clockwise setting. According to industry standards, the maximum allowable temperature of the water exiting from the valve is 120° F. This temperature may vary in your local area. The Rotational Limit Stop may need to be readjusted if the inlet water temperature changes. For instance, during the winter, the cold water temperature is colder than it is during the summer which could result in varying outlet temperatures. Typical temperature for a comfortable bath or shower is between 90°-110° F.

## 1

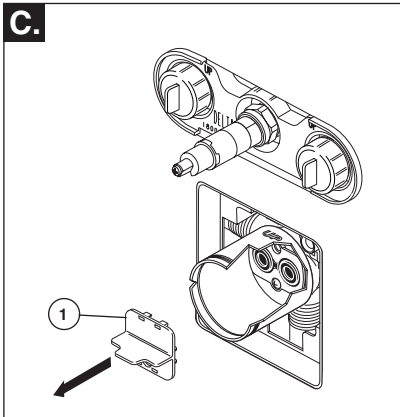
### Cartridge Installation



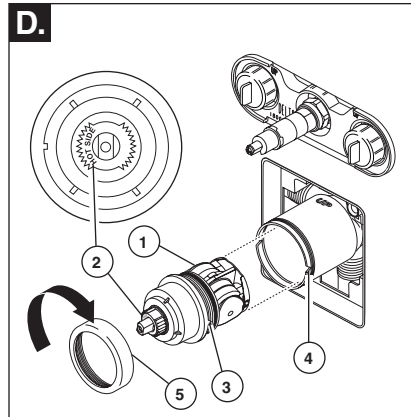
**Turn off water supplies.** Remove cover (1), bonnet nut (2) and test cap (3) from the body. If this is not a thin wall mounting, the entire platerguard (4) may be removed. If screen (5) is in place, remove before installing cartridge.



Insert adapter assembly (1) into valve body. Make sure the adapter assembly is correctly positioned and is pressed all the way down inside body. Secure adapter with the screw (2) provided in the adapter assembly.



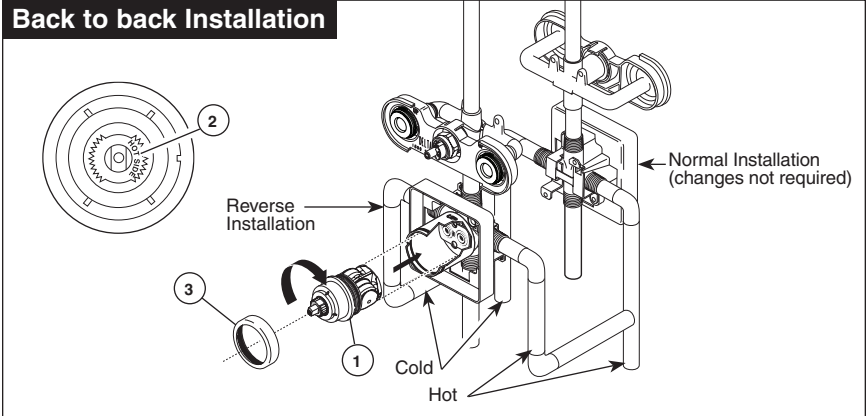
Remove the retainer (1) from the adapter.



Rotate cartridge (1) so the words "HOT SIDE" (2) appear on the left. Insert cartridge assembly into valve body. Make sure the key (3) on the cartridge is fully engaged with the slot in the brass body (4). Slide bonnet nut (5) over the cartridge and thread onto the body. Hand tighten securely.

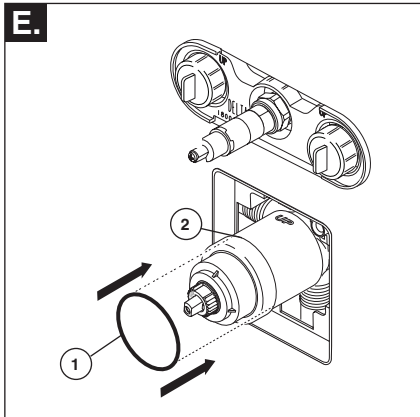
# 18 Series Installation - Single Unit

## Cartridge Installation

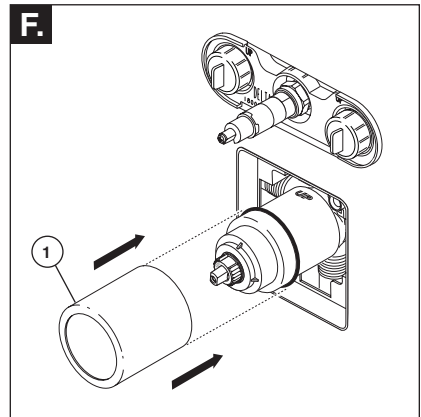


For back to back or reverse installations (hot on right and cold on left): Rotate cartridge (1) so the words "HOT SIDE" (2) appear on the right. Install the cartridge

making sure that the key is fully engaged with the slot in the brass body (see step D). Slide bonnet nut (3) over the cartridge and thread onto the body. Hand tighten securely.



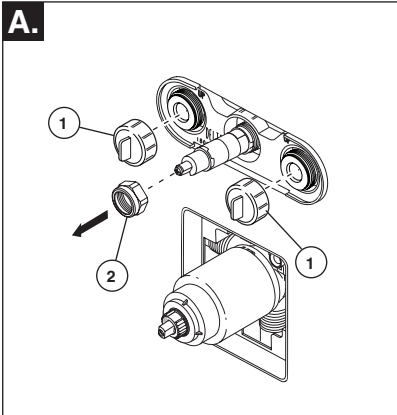
Slide O-ring (1) over cartridge and the bonnet nut (2). The O-ring, which acts as a spacer to steady the sleeve, should rest behind the bonnet nut.



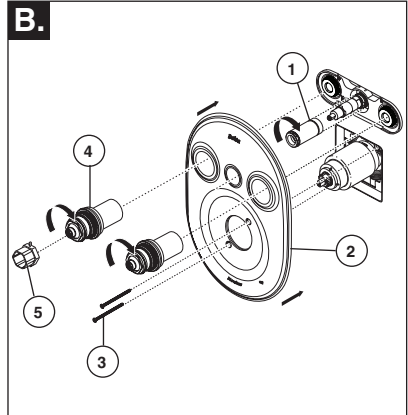
Slide the sleeve (1) over the cartridge, body and O-ring. Ensure sleeve is properly positioned over the front of cartridge.

## 2

### Jetted Shower™ Trim Installation

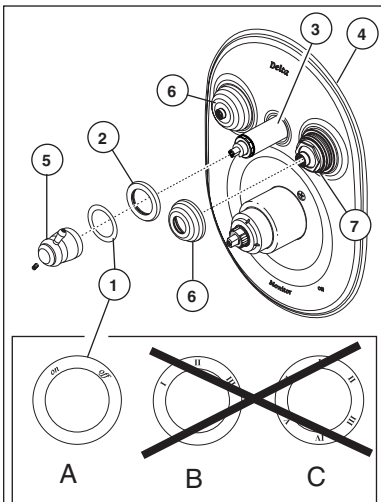


**Turn off water supplies.** Unscrew test caps (1) from the body. If this is not a thin wall mounting, the entire plasterguard may be removed. Remove bonnet nut (2) from the body.



Thread sleeve (1) onto brass body, use wrench to tighten. Place escutcheon (2) over jet body module. Install screws (3). Thread the jet sleeve assemblies (4) onto the jet body module. Use the wrench (5) to tighten the sleeve assemblies. **CAUTION: DO NOT OVER TIGHTEN. TIGHTEN UNTIL THE ESCUTCHEON IS FLAT AGAINST THE WALL.**

### C.



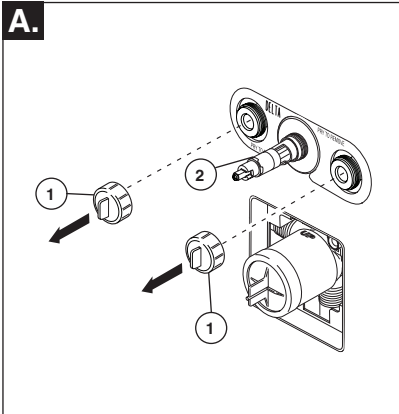
Select proper label (1) (the off/on label A is used on the standard Jetted Shower™ only) and assemble onto trim ring (2) (Refer to chart below for proper label selection.) Slide trim ring onto sleeve (3) until it bottoms out on the escutcheon (4). Install handle (5) onto stem, tighten set screw to secure. Thread the bonnet assemblies (6) onto the jet sleeve assemblies (7).

	Jetted Shower™	Jetted Shower XO™	
		2 Ports	3 Ports
Stem Extender	White	Blue	Black
Label	A	B	C

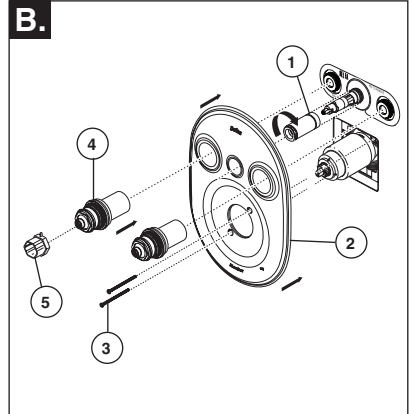
## 18 Series Installation - Single Unit

# 2

### Jetted Shower XO™ Trim Installation

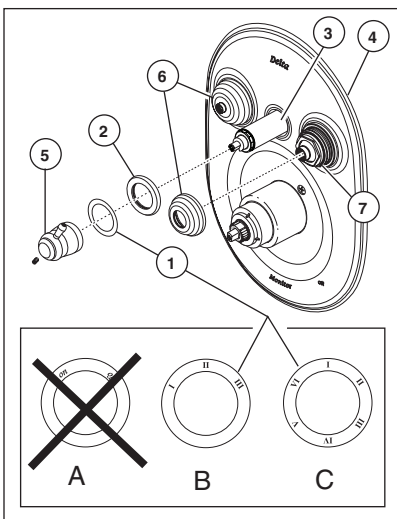


**Turn off water supplies.** Unscrew test caps (1) from the body. If this is not a thin wall mounting, the entire plasterguard may be removed. **IMPORTANT: NOTE COLOR OF BASE ON STEM EXTENDER (2) FOR USE LATER. (SEE CHART BELOW FOR REFERENCE.)**



Thread sleeve (1) onto brass body, use wrench to tighten. Place escutcheon (2) over jet body module. Install screws (3). Thread the jet sleeve assemblies (4) onto the jet body module. Use the wrench (5) to tighten the sleeve assemblies. **CAUTION: DO NOT OVERTIGHTEN. TIGHTEN UNTIL THE ESCUTCHEON IS FLAT AGAINST THE WALL.**

### C.

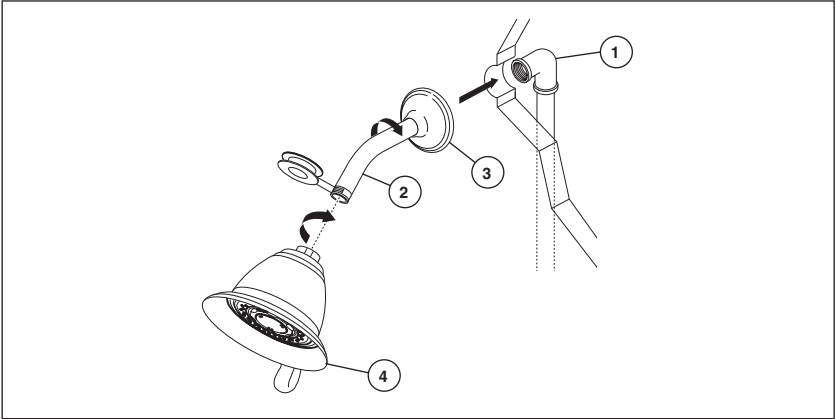


Select proper label (1), the 3 position label B (used with the blue stem extender) or 6 position label C (used with the black stem extender) and assemble onto trim ring (2). (Refer to chart below for proper label selection.) Slide trim ring onto sleeve (3) until it bottoms out on the escutcheon (4). Install handle (5) onto stem, tighten set screw to secure. Thread the bonnet assemblies (6) onto the jet sleeve assemblies (7).

	Jetted Shower™	Jetted Shower XO™	
		2 Ports	3 Ports
Stem Extender	White	Blue	Black
Label	A	B	C

### 3

#### Showerhead Installation



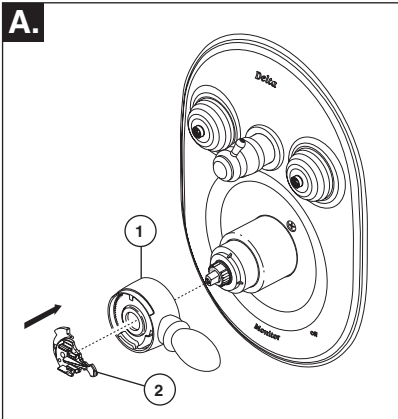
Connect top outlet (1) to shower arm (2) with proper fittings. To prevent damage to finish on shower arm, insert wall end of shower arm into shower flange (3) before

screwing arm into riser connection. Thread showerhead (4) onto shower arm. Apply Teflon® tape to pipe threads on both ends. Do not overtighten showerhead.

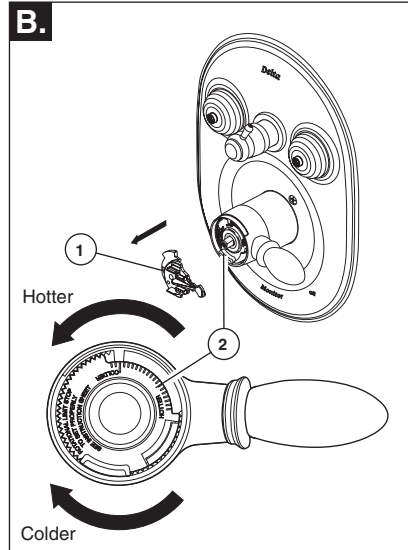
## 18 Series Installation - Single Unit

### 4

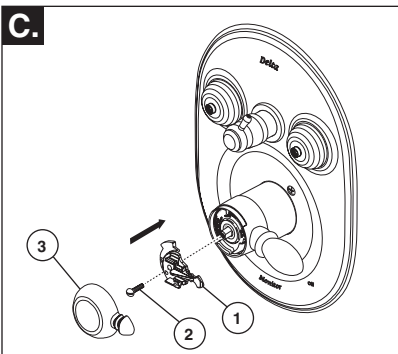
#### Installation and Adjustment of the Rotational Limit Stop



Install volume control handle (1) with lever to the right, then turn to the on position. **DO NOT SECURE WITH SCREW.** Place the temperature control knob (2) on volume handle and rotate to the mixed position (if required). **DO NOT SECURE WITH SCREW.** Turn on water supplies; let the water run until both hot and cold water is as hot/cold as possible. Place thermometer in a plastic tumbler, and hold the tumbler in the water stream. Record the temperature reading.



If the water temperature is above 120°F, remove the temperature control knob (1) and rotate the limit stop (2) clockwise one tooth for every 4°F - 6°F (approximate) change in temperature. If water temperature is cooler than desired, rotate the limit stop counterclockwise.



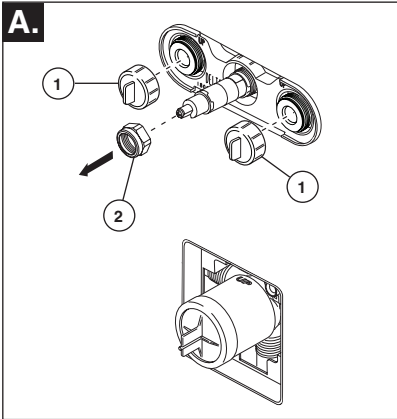
Secure temperature control knob (1) with screw (2) and snap control cover (3) onto knob. **NOTE: Secure screw until handle wobble is reduced, DO NOT FULLY TIGHTEN.** Overtightening will result in difficulty to operate temperature control knob. Screw is self locking.

**IMPORTANT:** The first position of the Rotational Limit Stop (the Limiter) is that position that restricts the rotation of the stem the most and is at the maximum clockwise setting. According to industry standards, the maximum allowable temperature of the water exiting from the valve is 120° F. This temperature may vary in your local area. The Rotational Limit Stop may need to be readjusted if the inlet water temperature changes. For instance, during the winter, the cold water temperature is colder than it is during the summer which could result in varying outlet temperatures. Typical temperature for a comfortable bath or shower is between 90°–110° F.

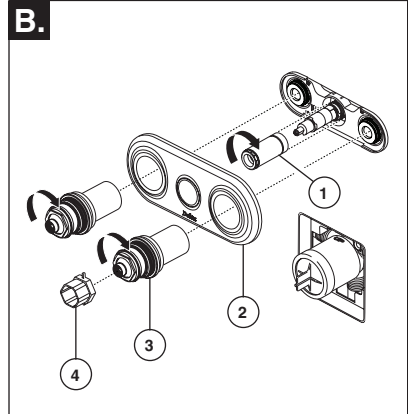


## 1

### Jetted Shower™ Jet Module Trim Installation



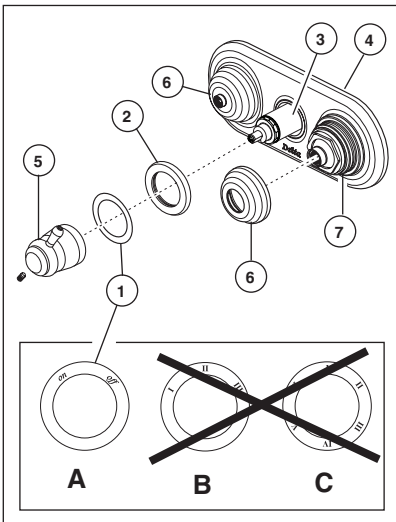
**Turn off water supplies.** Unscrew test caps (1) from the body. If this is not a thin wall mounting, the entire plasterguard may be removed. Remove bonnet nut (2) from the body.



Thread sleeve (1) onto brass body, use wrench to tighten. Place the oval escutcheon (2) over jet body module. Thread the jet sleeve assemblies (3) onto the jet body module. Use the wrench (4) to tighten the sleeve assemblies.

**CAUTION: DO NOT OVERTIGHTEN. TIGHTEN UNTIL THE ESCUTCHEON IS FLAT AGAINST THE WALL.**

## C.



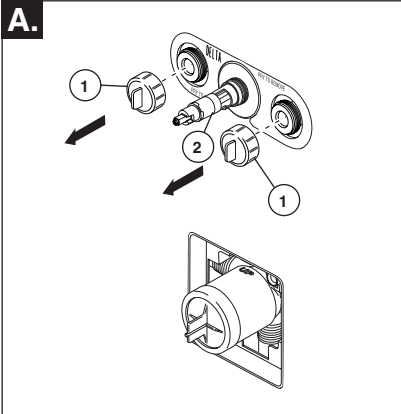
Select proper label (1) (the off/on label A is used on the standard Jetted Shower™ only) and assemble onto trim ring (2) (Refer to chart below for proper label selection.) Slide trim ring onto sleeve (3) until it bottoms out on the escutcheon (4). Install handle (5) onto stem, tighten set screw to secure. Thread the bonnet assemblies (6) onto the jet sleeve assemblies (7).

	Jetted Shower™	Jetted Shower XO™	
		2 Ports	3 Ports
Stem Extender	White	Blue	Black
Label	A	B	C

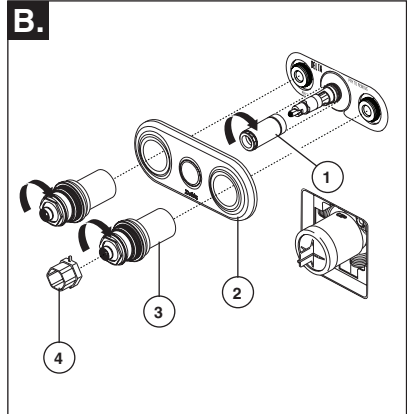
# 18T Series Installation

## 1

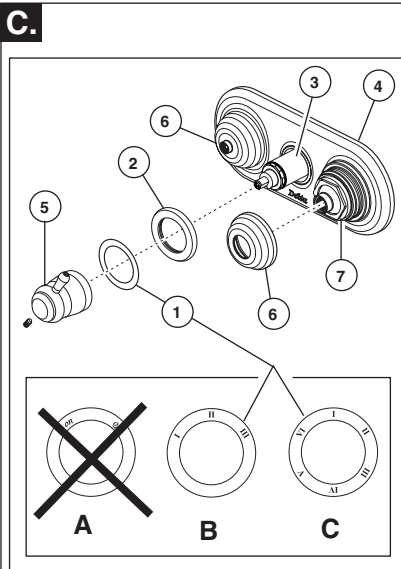
### Jetted Shower XO™ Jet Module Trim Installation



**Turn off water supplies.** Unscrew test caps (1) from the body. If this is not a thin wall mounting, the entire plasterguard may be removed. **IMPORTANT: NOTE COLOR OF BASE ON STEM EXTENDER (2) FOR USE LATER. (SEE CHART BELOW FOR REFERENCE.)**



Thread sleeve (1) onto brass body, use wrench to tighten. Place the oval escutcheon (2) over jet body module. Thread the jet sleeve assemblies (3) onto the jet body module. Use wrench (4) to tighten the sleeve assemblies. **CAUTION: DO NOT OVERTIGHTEN. TIGHTEN UNTIL THE ESCUTCHEON IS FLAT AGAINST THE WALL.**

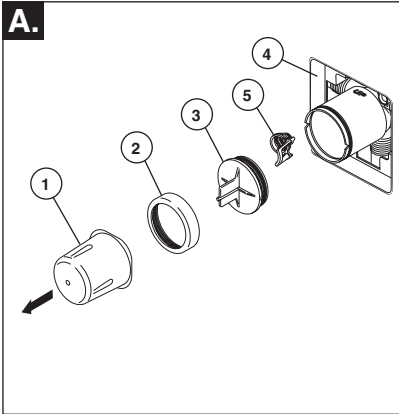


Select proper label (1), the 3 position label B (used with the blue stem extender) or 6 position label C (used with the black stem extender) and assemble onto trim ring (2). (See chart below for proper label selection.) Slide trim ring onto sleeve (3) until it bottoms out on the escutcheon (4). Install handle (5) onto stem, tighten set screw to secure. Thread the bonnet assemblies (6) onto the jet sleeve assemblies (7).

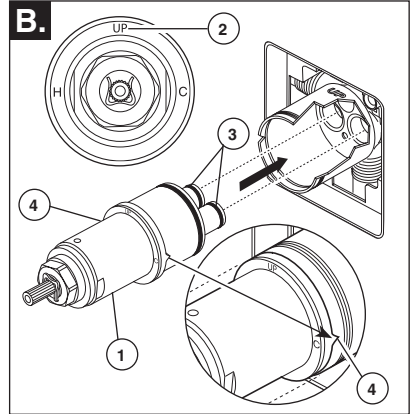
	Jetted Shower™	Jetted Shower XO™	
		2 Ports	3 Ports
Stem Extender	White	Blue	Black
Label	A	B	C

## 2

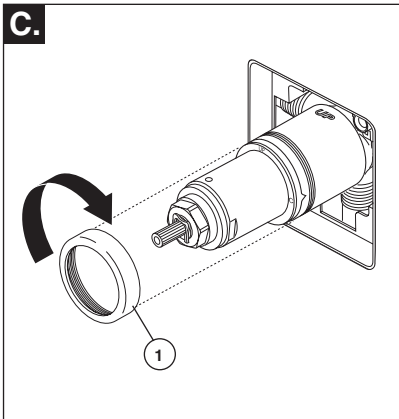
### Cartridge Installation



**Turn off water supplies.** Remove cover (1), bonnet nut (2) and test cap (3) from the body. If this is not a thin wall mounting, the entire plasterguard (4) may be removed. If screen (5) is in place, remove before installing cartridge.

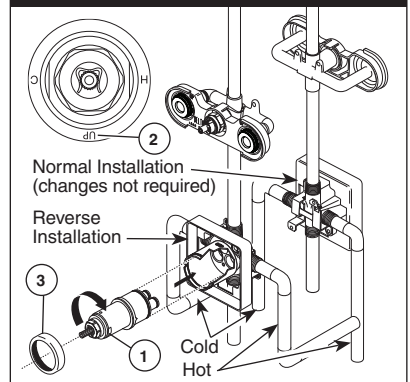


Rotate the cartridge (1) so the word "UP" (2) appears on the top. Insert cartridge into valve body as shown. Make sure the cartridge tubes and O-rings (3) are properly seated in holes at the base of the body. Ensure the keys on the body are fully engaged with the slots in the body (4).



Slide bonnet nut (1) over the cartridge and thread onto the body. Hand tighten securely.

### Back to back Installation

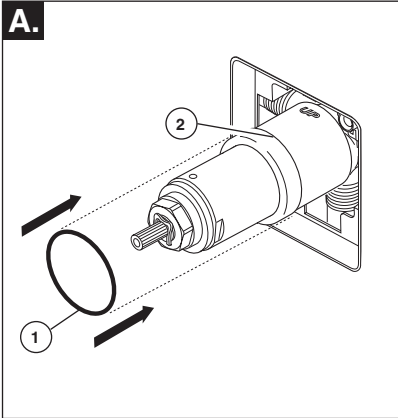


For back to back or reverse installations (hot on right and cold on left): Rotate cartridge (1) so the word "UP" (2) appears on the bottom. Install the cartridge making sure that the keys are fully engaged with the slot in the brass body (see step B). Slide bonnet nut (3) over the cartridge and thread onto the body. Hand tighten securely.

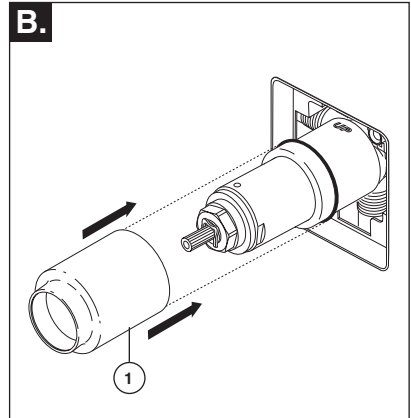
# 18T Series Installation

## 3

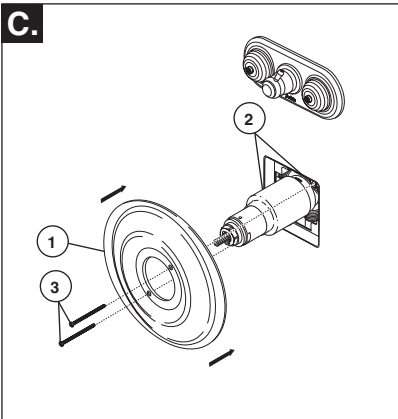
### Trim Installation



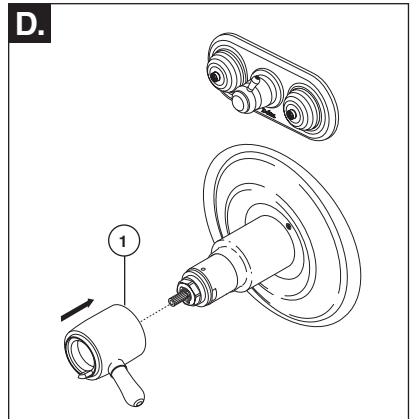
Slide O-ring (1) over cartridge and the bonnet nut (2). The O-ring, which acts as a spacer to steady the sleeve, should rest behind the bonnet nut.



Slide the sleeve (1) over the cartridge, body and O-ring. Ensure sleeve is properly positioned over the front of cartridge.



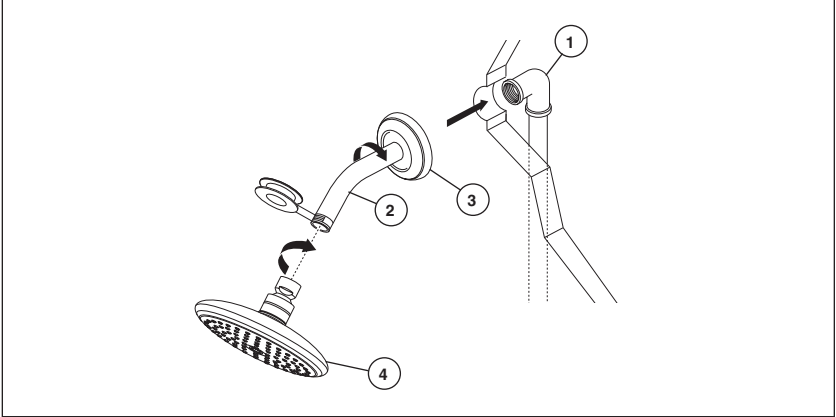
Secure the escutcheon (1) to the bracket (2) with the 2 screws provided (3). Do not overtighten escutcheon screws.



Install volume control handle (1) with lever to the right. **DO NOT SECURE WITH SCREW.**

## 4

## Showerhead Installation



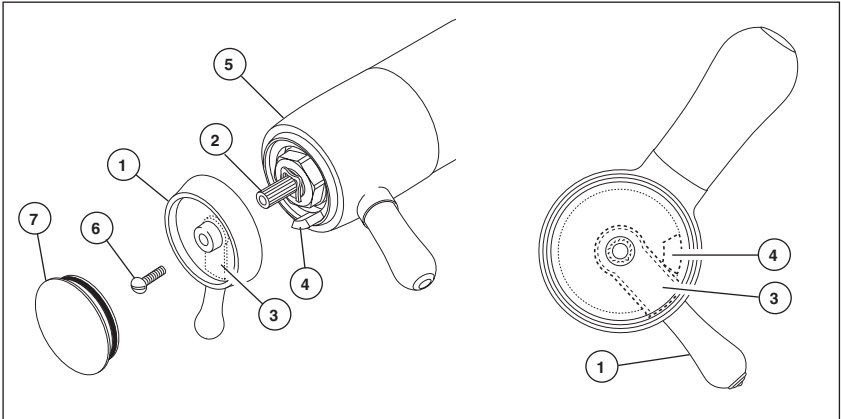
Connect top outlet (1) to shower arm (2) with proper fittings. To prevent damage to finish on shower arm, insert wall end of shower arm into shower flange (3) before

screwing arm into riser connection. Thread showerhead (4) onto shower arm. Apply Teflon® tape to pipe threads on both ends. Do not overtighten showerhead.

## 18T Series Installation

### 5

#### Installation and Adjustment of the Temperature Knob



**Adjust temperature limit stop!** Turn on water supplies; let the water run at both full hot and full cold to ensure the water is running as hot/cold as possible. Place a thermometer in a plastic tumbler, and hold the tumbler in the water stream. Place the temperature knob (1) onto the splines (2), then rotate the temperature knob until you achieve your maximum desired temperature from the outlet (not more

than 120° or the lower temperature mandated by your local plumbing code). Remove the temperature knob and replace onto the splines (2), making sure that the temperature knob limit stop (3) hits against the volume handle limit stop (4) as shown. Secure volume handle with set screw (5). Secure the temperature knob using screw (6) and place cap (7) on knob.

## Cleaning and Care

Care should be given to the cleaning of this product. Although its finish is extremely durable, it can be damaged by harsh abrasives or polish. To clean, simply wipe gently with a damp cloth and blot dry with a soft towel.

## 18 Series Maintenance

**Cannot receive more than a trickle of water:**

Both hot and cold supply lines must be pressurized. If only one side is pressurized, the pressure balance system will not allow adequate flow of water.

**Volume control handle rotates 360 degrees or is not positioned correctly per escutcheon, (sleeve is also loose).** The keys of the cartridge have not been properly placed in the keyways in the brass body or keys on cartridge have been sheared off due to improper installation. **BE SURE TO CORRECT THIS SITUATION IMMEDIATELY.**

**Cannot receive enough hot water:**

See step 3 and/or check water heater temperature.

**Faucet leaks from tub spout/showerhead:**

SHUT OFF WATER SUPPLIES. Replace Adapter Assembly –Repair Kit RP46073.

**If leak persists–**

SHUT OFF WATER SUPPLIES

Replace cartridge assembly–RP46463.

**Unable to maintain constant water temperature:**

SHUT OFF WATER SUPPLIES. Remove cartridge assembly, shake cartridge side to side. Spool should rattle in sleeve. If rattle cannot be heard, spool may be stuck. Spool may be freed up by rapping cartridge briskly sideways into the palm of your hand. If spool cannot be freed, replace cartridge assembly–RP46463.

**NOTE:** If the water in your area has lime, rust, sand, or other contaminants in it, your pressure balance valve will require periodic inspection. The frequency of the inspection will depend on the amount of contaminants in the water. To inspect cartridge, remove it from the body and shake it rigorously. If there is a rattling sound, the unit is functional and can be reinstalled in its previous position. If there is no rattle, replace the cartridge with RP46463.

## 18T Series Maintenance

**Faucet leaks from showerhead:**

SHUT OFF WATER SUPPLIES. Replace Cartridge Assembly –Repair Kit RP47201.

**Notes / Notas / Notes**





# Manual de Instrucciones para la Instalación del Accesorio de la Regadera a Chorro MultiChoice® de Una Manija Monitor®

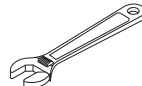
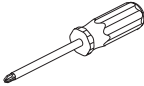


ASME A112.18.1 / CSA B125.1  
ASSE 1016

## 18 y 18T Series

Escriba aquí el número del modelo comprado.

### Usted puede necesitar



### Contenido:

Garantías .....	Página 2
Instrucciones para la Instalación de la Serie 18	
Unidades Separadas – Series T18430 & T18455 .....	Páginas 3-8
Unidades Sencillas – Series T18230, T18240 & T18255 ....	Páginas 9-14
Instrucciones para la Instalación de la Serie 18T .....	Páginas 5-20
Mantenimiento .....	Página 21
Piezas de Repuesto .....	Páginas 22-29

### ESTA VÁLVULA CUMPLE O EXCEDE LAS SIGUIENTES NORMAS:

**ASME A112.18 1 / CSA B125.1 y ASSE 1016.**

**ADVERTENCIA:** El instalador debe apostar este sistema/divisa para garantizar temperatura maximo y seguro. Cualqueir cambio en el ajuste puede subir la temperatura del agua de descarga sobre el límite considerado seguro y puede resultar en quemaduras de agua caliente.

**AVISO PARA EL INSTALADOR: PRECAUCIÓN** – Como instalador de esta válvula, es su responsabilidad de **INSTALAR Y AJUSTAR** apropiadamente esta válvula como se describe en las instrucciones, por lo tanto, debe haber una persona para hacer los ajustes necesarios del Tope del Límite Rotacional y del pomo para la temperatura en el momento que se haga la instalación y pueda necesitar ajustes adicionales por los cambios estacionales de la temperatura del agua. **USTED DEBE** informarle al dueño/usuario sobre este requisito siguiendo las instrucciones. Si usted o el dueño/usuario no están seguros como hacer estos ajustes apropiadamente, por favor refiérase a las páginas del 8 al 14 (serie 18) ó a la página 20 (Serie 18T) y si todavía no está seguro, llámenos al 1-800-345-DELTA.

Después de hacer la instalación y el ajuste, usted puede agregarle a la etiqueta de aviso proporcionada, su nombre, el nombre de la compañía y la fecha cuando ajustó el Tope del

Límite Rotacional y el pomo para la temperatura y aplicar o fijar la etiqueta al dorso de la puerta del gabinete más cercano y la etiqueta de aviso al calentador de agua. Deje la Hoja de Instrucciones para referencia del dueño/usuario.

**ADVERTENCIA:** Esta válvula de presión balanceada y termostática está diseñada para minimizar los efectos de los cambios de temperatura de agua por causa de los cambios de presión en el agua de entrada, comúnmente causados por lavadoras de platos, lavadoras de ropa, inodoros, y otros aparatos por el estilo. Puede no proporcionar protección de quemaduras de agua caliente cuando hay alguna falla de otros aparatos para el control de temperatura en otro sitio en el sistema de plomería. También no proporcionará protección si el tope del límite rotacional y el pomo para el ajuste de la temperatura no está apropiadamente fijo o si cambia la temperatura del agua caliente después de hacer los ajustes o si los cambios del agua de entrada son por los cambios estacionales.

**ADVERTENCIA:** No instale un aparato de corte o cierre en cualquiera de las tomas de esta válvula. Cuando este tipo de aparato cierra el flujo de agua, puede hacer fallar la habilidad de la válvula de balancear las presiones del agua caliente y fría.

## Garantía Limitada De Por Vida de la Llave y su Acabado

Todas las piezas y acabados de la llave Delta® están garantizados al consumidor comprador original, de estar libres de defectos de material y fabricación, por el tiempo que el consumidor comprador original sea dueño de su casa. Delta Faucet Company recomienda que use un plomero profesional para todas las instalaciones y reparaciones.

Delta reemplazará, LIBRE DE CARGO, durante el período de garantía, cualquier pieza o acabado que pruebe tener defectos de material y/o fabricación bajo instalación normal, uso y servicio. Piezas de repuesto pueden ser obtenidas llamando al 1-800-345-DELTA (en los Estados Unidos y Canada) o escribiendo a:

En los Estados Unidos:  
Delta Faucet Company  
Product Service  
55 E. 111th Street  
Indianapolis, IN 46280

En Canada:  
Masco Canada Limited, Plumbing Group  
Technical Service Centre  
420 Burbrook Place  
London, ON N6A 4L6

Esta garantía es extensiva en lo que cubre el reemplazamiento de todas las piezas defectuosas y hasta el acabado, pero éstas son las únicas dos cosas que están cubiertas. **CARGOS DE LABOR Y/O DAÑOS INCURRIDOS EN LA INSTALACIÓN, REPARACIÓN, O REEMPLAZAMIENTO COMO TAMBIÉN**

**CUALQUIER OTRO TIPO DE PÉRDIDA O DAÑOS ESTÁN EXCLUIDOS.** Prueba de compra (recibo original de venta) del comprador consumidor original debe de ser disponible a Delta para todos los reclamos. **ESTA ES LA GARANTÍA EXCLUSIVA DE DELTA FAUCET COMPANY, QUE NO HACE CUALQUIER OTRA GARANTÍA DE CUALQUIER TIPO, INCLUYENDO LA GARANTÍA IMPLÍCITA DE COMERCIALIZACIÓN.**

Esta garantía excluye todo uso industrial, comercial y de negocio, a cuyos compradores se les da una garantía limitada extendida de cinco años desde la fecha de compra, con todos los otros términos de esta garantía aplicados, excepto el de duración de ésta. Esta garantía es aplicable a las llaves de Delta® fabricadas después de Enero 1, 1995.

Algunos estados/provincias no permiten la exclusión o limitación de daños incidentales o consecuentes, de manera que la limitación o exclusión arriba escrita puede no aplicarle a usted. Cualquier daño a esta llave, resultado del mal uso, abuso, o descuido, o cualquier otro uso de piezas de repuesto que no sean genuinas de Delta® **ANULARÁN LA GARANTÍA.**

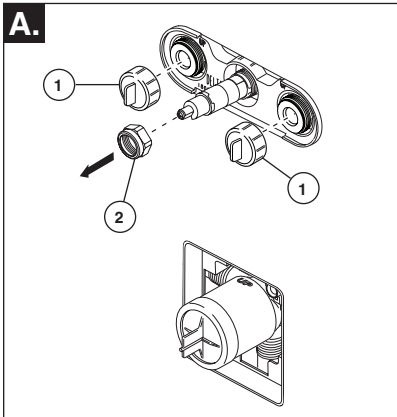
Esta garantía le da derechos legales específicos, y usted puede, también tener otros derechos que varían de estado/provincia a estado/provincia. Es aplicable sólo a las llaves Delta® instaladas en los Estados Unidos de America, Canada y Mexico.

© 2008 Masco Corporación de Indiana

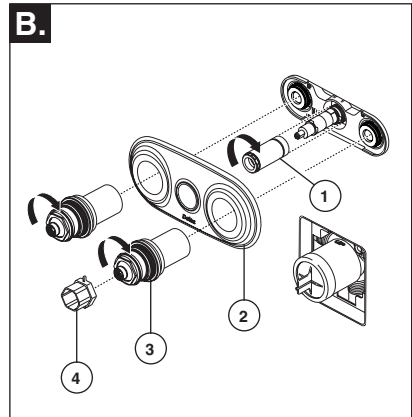
# Instalación de la Serie 18 - Unidades Separadas

## 1

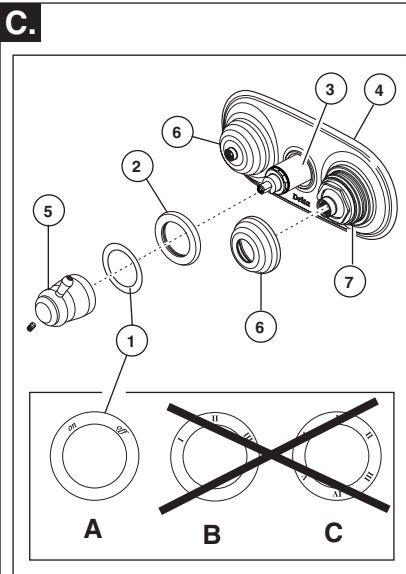
### Instalación de Accesorios del Módulo de la Regadera a Chorro Jetted Shower™



**Cierre los suministros de agua.** Destornille las tapas de prueba (1) del cuerpo. Si no es para instalar en pared delgada, puede quitar el protector de yeso completo. Quite la tuerca tapa (2) del cuerpo.



Enrosque la manga (1) en el cuerpo de bronce. Use una llave de tuercas para apretar. Coloque la placa ovalada (2) sobre el módulo del cuerpo del chorro. Enrosque los ensambles de la manga del chorro (3) en el cuerpo del módulo del chorro. Use una llave de tuercas (4) para apretar los ensambles de la manga. **AVISO: NO APRIETE DEMASIADO. APRIETE HASTA QUE LA PLACA QUEDE PLANA CONTRA LA PARED.**



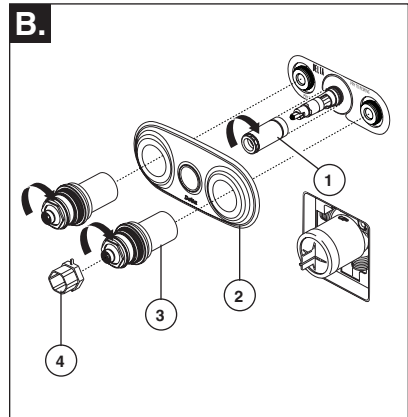
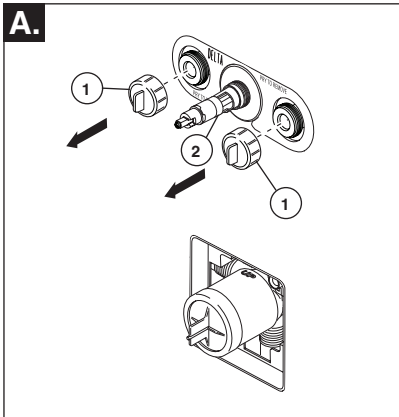
Elija la etiqueta apropiada (1) (la etiqueta A para abrir/cerrar se usa sólo en la regadera de chorro estándar Jetted Shower™) y ensamble en el aro de accesorio (2) (Refiérase a continuación a la tabla para obtener la selección apropiada de la etiqueta.) Deslice el aro de accesorio en la manga (3) hasta que toque fondo en la placa (4). Instale la manija (5) en la espiga. Apriete el tornillo de ajuste para fijarlo. Enrosque los ensambles de la tapa (6) en los ensambles de la manga del chorro (7).

	Jetted Shower™	Jetted Shower XO™	
		2 tomas de agua	3 tomas de agua
Extensión para la espiga	Blanco	Azul	Negro
Etiqueta	A	B	C

# Instalación de la Serie 18 - Unidades Separadas

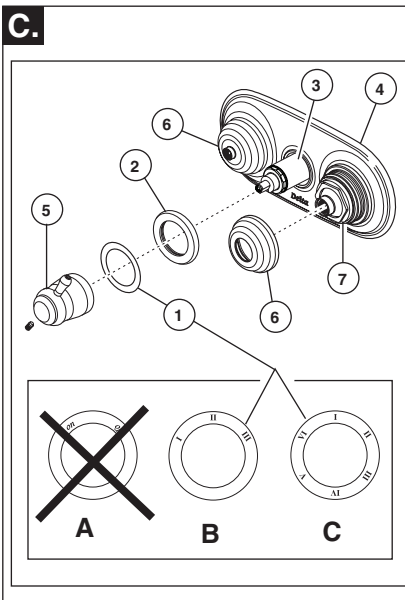
## 1

### Instalación de Accesorios del Módulo de la Regadera a Chorro Jetted Shower XO™



**Cierre los suministros de agua.** Destornille las tapas de prueba (1) del cuerpo. Si no es para instalar en pared delgada, puede quitar el protector de yeso completo. **IMPORTANTE: TOMÉ NOTA DEL COLOR DE LA BASE EN LA EXTENSIÓN DE LA ESPIGA (2) PARA USARLA MÁS ADELANTE. (COMO REFERENCIA, VEA LA TABLA A CONTINUACIÓN.)**

Enrosque la manga (1) en el cuerpo de bronce. Use una llave de tuercas para apretar. Coloque la placa ovalada (3) sobre el módulo del cuerpo del chorro. Enrosque los ensambles de la manga del chorro (4) en el cuerpo del módulo del chorro. Use la llave de tuercas (2) para apretar los ensambles de la manga. **Aviso: No apriete demasiado.** Apriete hasta que la placa quede plana contra la pared.



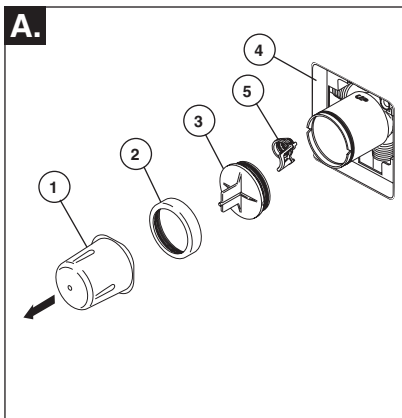
Elija la etiqueta apropiada (1), la etiqueta B de 3 posiciones (que se usa con la extensión azul para la espiga) o la etiqueta C de 6 posiciones (que se usa con la extensión negra para la espiga) y ensámblela en el aro de accesorio (2). Refiérase a continuación a la tabla para obtener la selección apropiada de la etiqueta. Deslice el accesorio en la manga (3) hasta que toque fondo en la placa (4). Instale la manija (5) en la espiga. Apriete el tornillo de ajuste para fijarla. Enrosque los ensambles de la tapa (6) en los ensambles de la manga del chorro (7).

	Jetted Shower™	Jetted Shower XO™	
		2 tomas de agua	3 tomas de agua
Extensión para la espiga	Blanco	Azul	Negro
Etiqueta	A	B	C

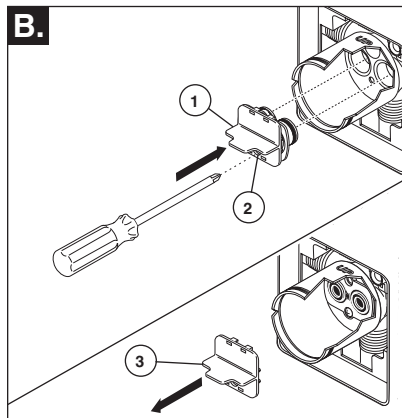
# Instalación de la Serie 18 - Unidades Separadas

## 2

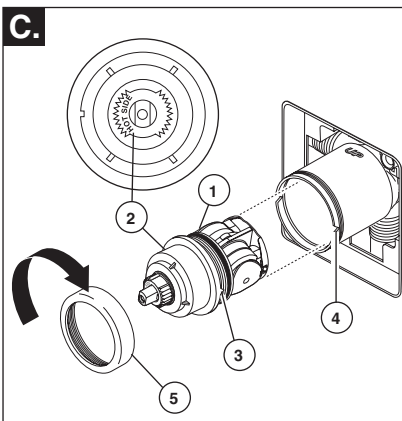
### Instalación del Cartucho



**Cierre los suministros de agua.** Quite la cubierta (1), la tuerca tapa (2) y la tapa de prueba (3). Si no es para instalar en pared delgada, puede quitar el protector (4) de yeso completo. Si la pantalla (5) está en lugar, quite antes de instalar el cartucho.

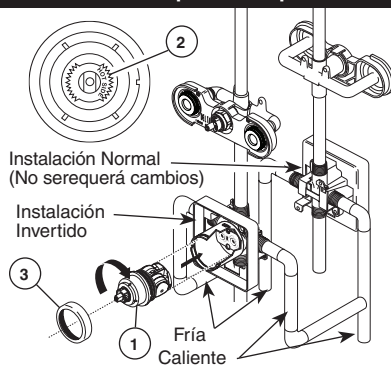


Introduzca el adaptador (1) en la válvula. Asegúrese que el adaptador estén correctamente colocados dentro de los orificios en la base de la válvula. Fije el adaptador con el tornillo (2) suministrado con el adaptador. Quite el retenedor (3) del adaptador.



Gire el cartucho (1) de manera que las palabras "HOT SIDE" (LADO CALIENTE) (2) aparezcan en la izquierda. Introduzca el cartucho en la válvula. Asegúrese que la guía (3) en el cartucho esté totalmente encajada en la muesca del cuerpo de latón (4). Deslice la tuerca tapa (5) sobre el cartucho y enrosque en el cuerpo de la válvula. Apriete a mano bien.

### Instalación de Espalda a Espalda

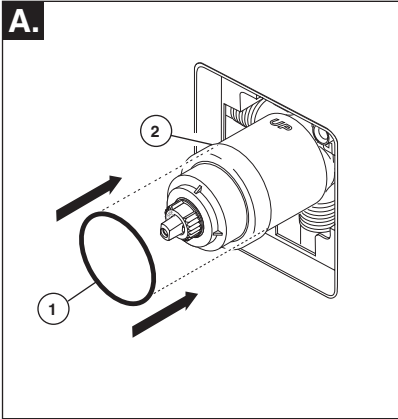


En las instalaciones dorso con dorso (el agua caliente en la derecha y la fría en la izquierda): Gire el cartucho (1) de manera que las palabras "HOT SIDE" (LADO CALIENTE) (2) aparezcan en la derecha. Instale el cartucho asegurando que la guía quede totalmente encajada en la muesca de la pieza de latón. Deslice la tuerca tapa (3) sobre el cartucho y enrosque en el cuerpo de la válvula. Apriete a mano bien.

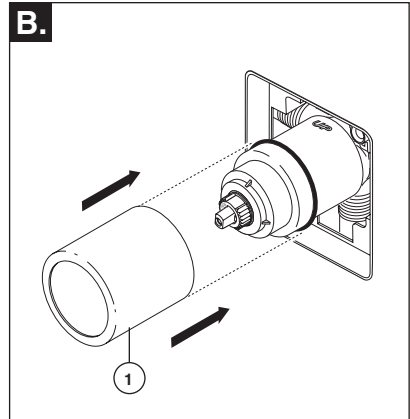
# Instalación de la Serie 18 - Unidades Separadas

## 3

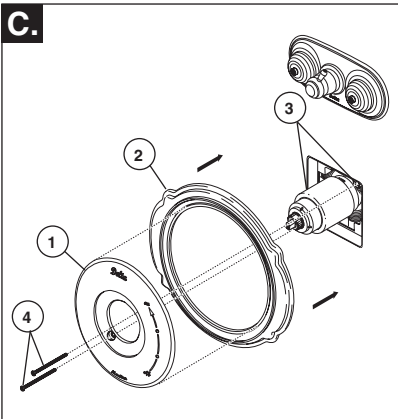
### Instalación Final



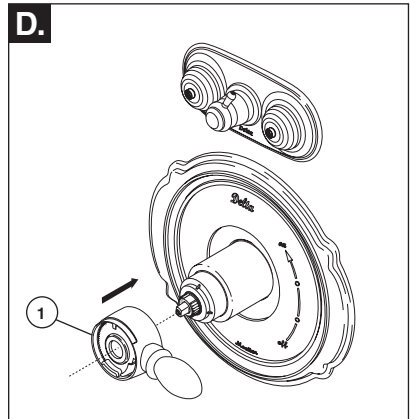
Deslice el aro O (1) sobre el cartucho y la tuerca tapa (2). El aro O, el cual funciona como un separador para estabilizar la manga, debe quedar apoyado en la tuerca tapa.



Deslice la manga (1) sobre el cartucho, el cuerpo de la pieza y el aro O.



Fije la roseta con orificio (1) y la placa de atrás (2) (si su modelo tiene una) al soporte (3) usando los 2 tornillos suministrados (4). No apriete demasiado los tornillos de la roseta.

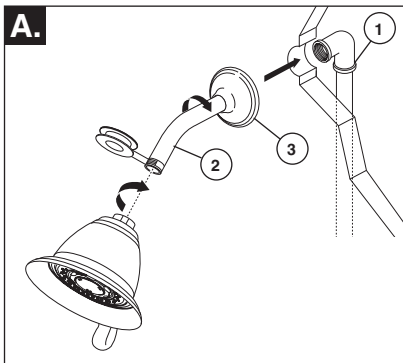


Instale la manija de control del volumen (1) con la palanca hacia la derecha, luego gírela a la posición abierta. **NO FIJE CON TORNILLO.**

## Instalación de la Serie 18 - Unidades Separadas

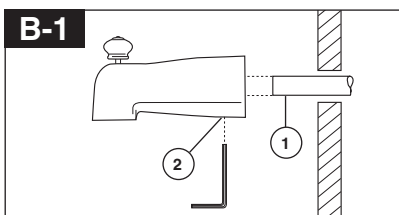
# 4

### Instalación de la Cabeza de la Regadera y el Surtidor de la Bañera



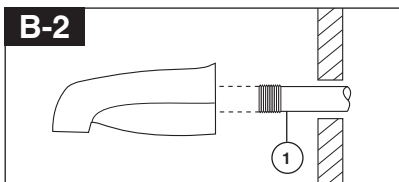
**PARA LAS INSTALACIONES DE LAS CABEZAS DE REGADERA:** Conecte la toma de salida de agua superior (1) al brazo de la regadera (2) con los accesorios apropiados. Para prevenir daño al acabado del brazo de la regadera, introduzca el extremo que va hacia la pared del brazo de la regadera dentro del reborde (3) antes de atornillar el brazo en la conexión de la tubería vertical. Aplique cinta Teflon® a los enrosques de la tubería. No apriete demasiado la cabeza de la regadera.

**PARA LA INSTALACIÓN DEL SURTIDOR DE LA BAÑERA:** Refiérase a las instrucciones para la instalación suministradas con su surtidor. No conecte los surtidores para las instalaciones en las superficies horizontales en las válvulas dentro de las paredes. No use las regaderas de mano en vez de un surtidor de bañera conectado a una válvula de bañera/regadera. No use la tubería PEX como tubería entre la válvula y el surtidor de la bañera.



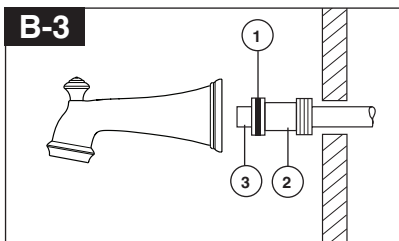
#### Instalación deslizable

El tubo de cobre (1) debe ser de 1/2" de cobre nominal. Importante: Si es necesario cortar el tubo de cobre, el extremo debe biselarse que quede libre de rebabas para prevenir cortar o mellar el aro O dentro del tubo de cobre. Deslice el surtidor sobre el tubo de cobre al ras con la bañera o la superficie de la pared acabada. Apriete el tornillo de ajuste (2), pero no apriete demasiado.



#### Instalación de la tubería de Hierro

Instale una enterrosca de tubo enroscado de 1/2" (13 mm) (1) para extenderse por delante de la pared acabada. Aplique cinta Teflon® a las roscas en la enterrosca de tubo y atornille el surtidor de la bañera.



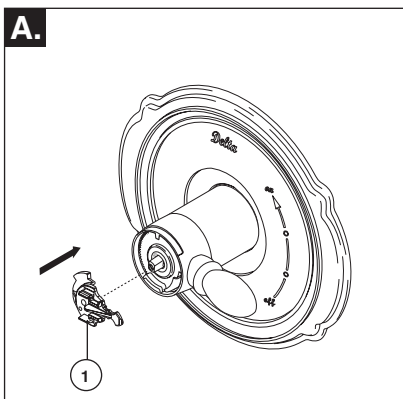
#### Instalación de Soldadura de Cobre

Quite el aro O (1) del adaptador (2). Suelde el adaptador al tubo asegurando de mantener la soldadura lejos de la muesca del aro O. AVISO: NO SE PERMITE SOLDAR EN EL DIAMETRO EXTERIOR DEL ADAPTADOR ADJUNTO A LA MUESCA DEL ARO O. Corte el tubo (3) y coloque otra vez el aro O en la muesca del adaptador de latón. Atornille la bañera/surtidor al adaptador, asegurando no dañar el aro O, y apriete a mano bien hasta que el surtidor quede firmemente contra la pared acabada y no quede flojo detrás de la pared.

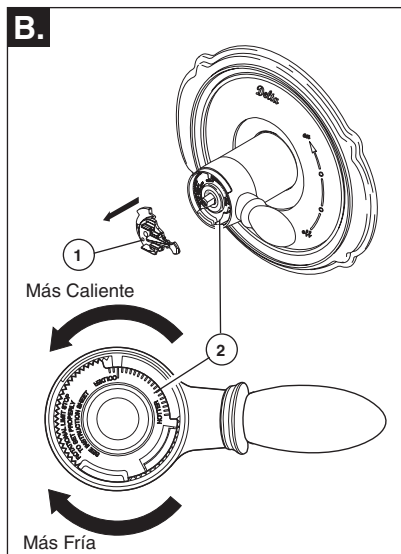
## Instalación de la Serie 18 - Unidades Separadas

### 5

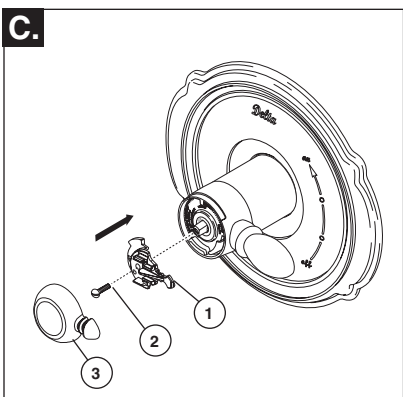
#### Instalación y Ajuste del Tope que Limita la Rotación



**A.** Instalación y Ajuste del Tope que Limita la Rotación Coloque la perilla para el control de la temperatura (1) en la manija para controlar el volumen y gire a la posición mixta (si se requiere). NO FIJE CON TORNILLO. Abra los suministros de agua; deje que el agua corra hasta que ambas, el agua caliente y la fría, estén lo más caliente/fría posible. Coloque el termómetro en un vaso plástico, y sostenga el vaso debajo del chorro de agua. Tome nota de la temperatura.



**B.** Si la temperatura del agua es más de 120°F, quite la perilla para el control de la temperatura (1) y gire el tope (2) en sentido de las manecillas del reloj un diente por cada 4°F-6°F (aproximadamente) de cambio de temperatura. Si la temperatura del agua es más fría de lo deseado, gire el tope en sentido contrario de las manecillas del reloj.



**C.** Fije la perilla para el control de la temperatura (1) con un tornillo (2) y coloque a presión la cubierta del control (3) en la perilla. NOTA: Fije con un tornillo hasta que se reduzca el tambaleo de la manija, NO APRIETE TOTALMENTE. Si aprieta demasiado no podrá operar la perilla para el control de la temperatura fácilmente. El tornillo se cierra automáticamente.

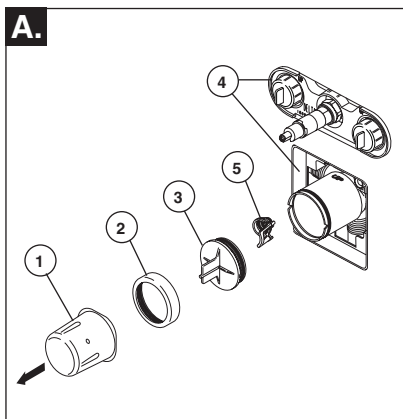
**IMPORTANTE:** La primera posición del tope que limita la rotación (el pare) es aquella que limita más la rotación de la espiga y es la que está en la colocación máxima en sentido contrario a las manecillas del reloj. De acuerdo a los estándares de la industria, la temperatura máxima permitida del agua que sale de la válvula es 120° F. Esta temperatura puede variar en su área. Si el agua de entrada cambia de temperatura, se puede requerir el reajuste del tope que limita la rotación. Por ejemplo, durante el invierno, la temperatura del agua fría es más fría que durante el verano, esto puede resultar en temperaturas variadas de agua de entrada. La temperatura típica para un baño o ducha agradable es entre 90°-110° F.



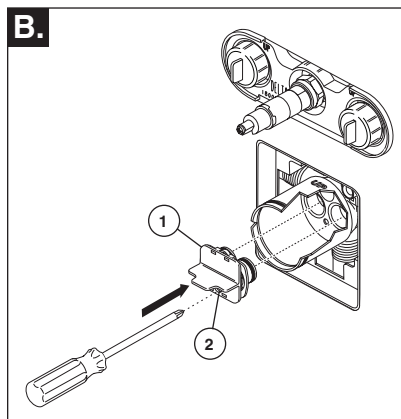
# Instalación de la Serie 18 - Unidades Sencillas

## 1

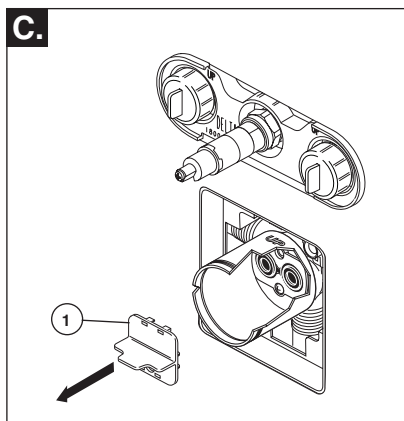
### Instalación del Cartucho



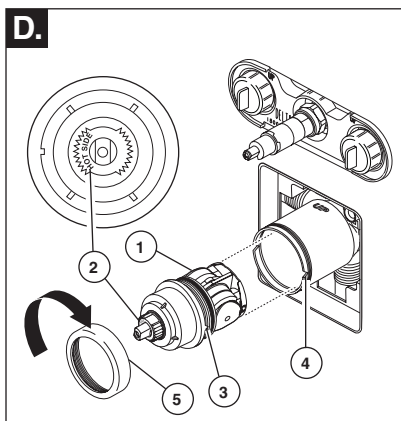
**Cierre los suministros de agua.** Quite la cubierta (1), la tuerca tapa (2) y la tapa de prueba (3). Si no es para instalar en pared delgada, puede quitar el protector (4) de yeso completo. Si la pantalla (5) está en lugar, quite antes de instalar el cartucho.



Introduzca el adaptador (1) en la válvula. Asegúrese que el adaptador estén correctamente colocados dentro de los orificios en la base de la válvula. Fije el adaptador con el tornillo (2) suministrado con el adaptador.



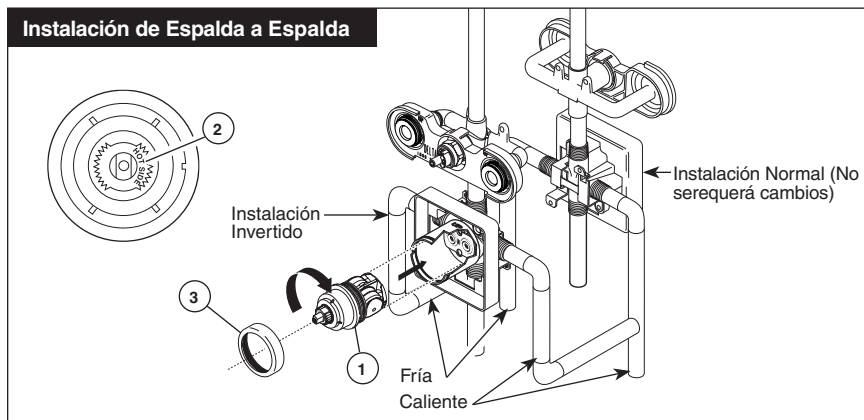
Quite el retenedor (1) del adaptador.



En las instalaciones dorso con dorso (el agua caliente en la derecha y la fría en la izquierda): Gire el cartucho (1) de manera que las palabras "HOT SIDE" (LADO CALIENTE) aparezcan en la derecha. Instale el cartucho asegurando que la guía quede totalmente encajada en la muesca de la pieza de latón. Deslice la tuerca tapa (2) sobre el cartucho y enrosque en el cuerpo de la válvula. Apriete a mano bien.

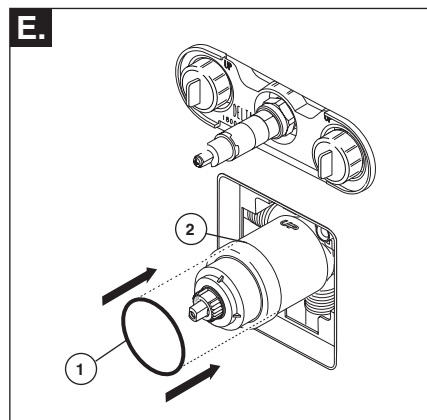
# Instalación de la Serie 18 - Unidades Sencillas

## Instalación del Cartucho

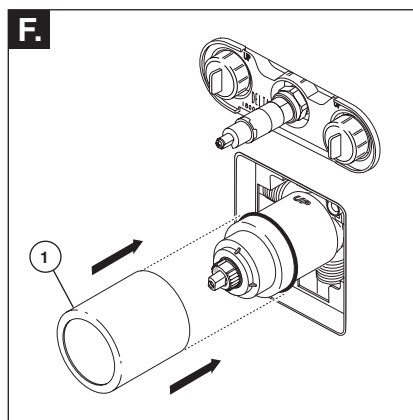


En las instalaciones dorso con dorso (el agua caliente en la derecha y la fría en la izquierda): Gire el cartucho (1) de manera que las palabras "HOT SIDE" (LADO CALIENTE) (2) aparezcan en la derecha. Instale el cartucho

asegurando que la guía quede totalmente encajada en la muesca de la pieza de latón. Deslice la tuerca tapa (3) sobre el cartucho y enrosque en el cuerpo de la válvula. Apriete a mano bien.



Deslice el aro O (1) sobre el cartucho y la tuerca tapa (2). El aro O, el cual funciona como un separador para estabilizar la manga, debe quedar apoyado en la tuerca tapa.

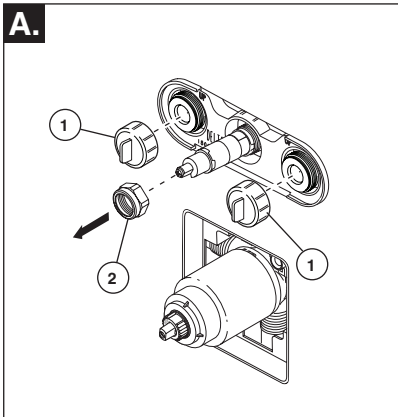


Deslice la manga (1) sobre el cartucho, el cuerpo de la pieza y el aro O.

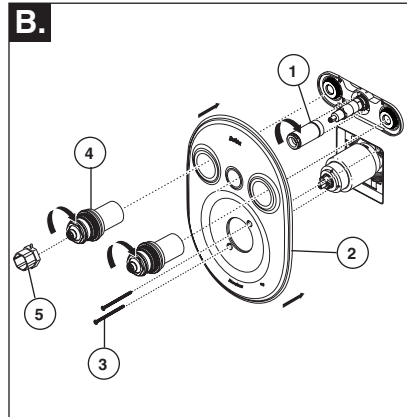
# Instalación de la Serie 18 - Unidades Sencillas

## 2

### Instalación de los Accesorios del Jetted Shower™

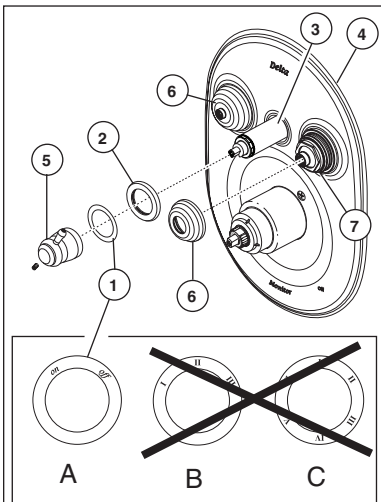


**Cierre los suministros de agua.** Destornille las tapas de prueba (1) del cuerpo. Si no es para instalar en pared delgada, puede quitar el protector de yeso completo. Quite la tuerca tapa (2) del cuerpo.



Enrosque la manga (1) en el cuerpo de bronce. Use una llave de tuercas para apretar. Coloque la placa ovalada (2) sobre el módulo del cuerpo del chorro. Instale los tornillos (3) en el cuerpo del módulo del chorro. Enrosque los ensambles de la manga del chorro (4) en el cuerpo del módulo del chorro. Use la llave de tuercas (5) para apretar los ensambles de la manga. **AVISO: NO APRIETE DEMASIADO. APRIETE HASTA QUE LA PLACA QUEDE PLANA CONTRA LA PARED.**

### C.



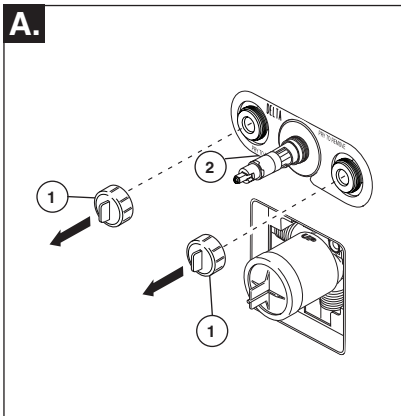
Elija la etiqueta apropiada (1) (la etiqueta A para abrir/cerrar se usa sólo en la regadera de chorro estándar Jetted Shower™) y ensamble en el aro de accesorio (2) (Refiérase a continuación a la tabla para obtener la selección apropiada de la etiqueta.) Deslice el aro de accesorio en la manga (3) hasta que toque fondo en la placa (4). Instale la manija (5) en la espiga. Apriete el tornillo de ajuste para fijarlo. Enrosque los ensambles de la tapa (6) en los ensambles de la manga del chorro (7).

	Jetted Shower™	Jetted Shower XO™	
		2 tomas de agua	3 tomas de agua
Extensión para la espiga	Blanco	Azul	Negro
Etiqueta	A	B	C

# Instalación de la Serie 18 - Unidades Sencillas

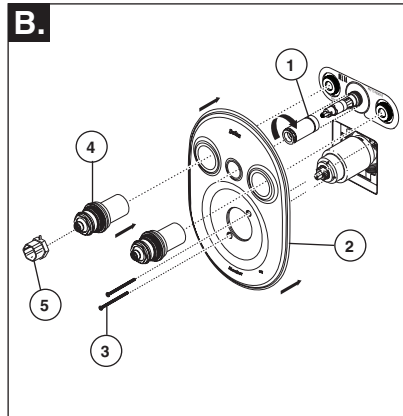
## 2

### Instalación de los Accesorios del Jetted Shower XO™

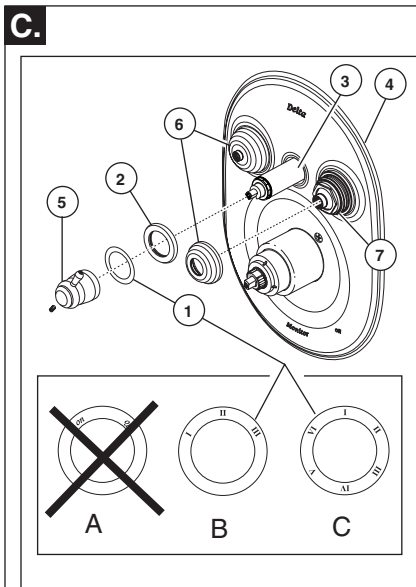


**Cierre los suministros de agua.** Destornille las tapas de prueba (1) del cuerpo. Si no es para instalar en pared delgada, puede quitar el protector de yeso completo.

**IMPORTANTE: TOMA NOTA DEL COLOR DE LA BASE EN LA EXTENSIÓN DE LA ESPIGA (2) PARA USARLA MÁS ADELANTE. (COMO REFERENCIA, VEA LA TABLA A CONTINUACIÓN.)**



Enrosque la manga (1) en el cuerpo de bronce. Use una llave de tuercas para apretar. Coloque la placa ovalada (2) sobre el módulo del cuerpo del chorro. Instale los tornillos (3). Enrosque los ensambles de la manga del chorro (4) en el cuerpo del módulo del chorro. Use la llave de tuercas (5) para apretar los ensambles de la manga. **AVISO: NO APIRIETE DEMASIADO. APIRIETE HASTA QUE LA PLACA QUEDE PLANA CONTRA LA PARED.**



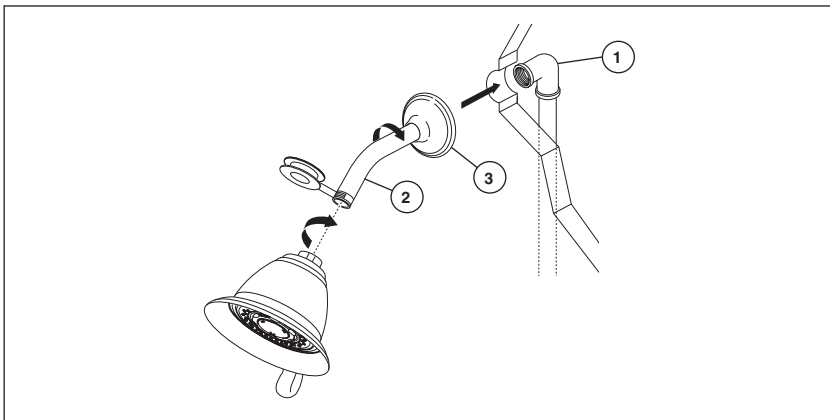
Elija la etiqueta apropiada (1), la etiqueta B de 3 posiciones (que se usa con la extensión azul para la espiga) o la etiqueta C de 6 posiciones (que se usa con la extensión negra para la espiga) y ensámblela en el aro de accesorio (2). Refiérase a continuación a la tabla para obtener la selección apropiada de la etiqueta. Deslice el accesorio en la manga (3) hasta que toque fondo en la placa (4). Instale la manija (5) en la espiga. Apriete el tornillo de ajuste para fijarla. Enrosque los ensambles de la tapa (6) en los ensambles de la manga del chorro (7).

	Jetted Shower™	Jetted Shower XO™	
		2 tomas de agua	3 tomas de agua
Extensión para la espiga	Blanco	Azul	Negro
Etiqueta	A	B	C

## Instalación de la Serie 18 - Unidades Sencillas

### 3

#### Instalación de la Cabeza de la Regadera



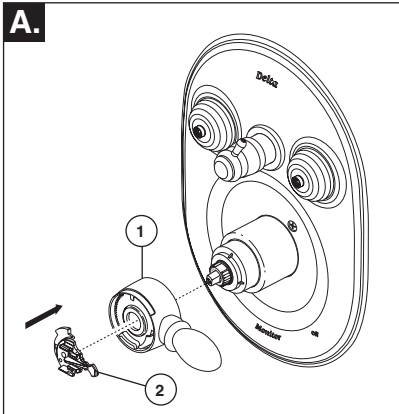
Conecte la toma de salida de agua superior (1) al brazo de la regadera (2) con los accesorios apropiados. Para prevenir daño al acabado del brazo de la regadera, introduzca el extremo que va hacia la pared del

brazo de la regadera dentro del reborde (3) antes de atornillar el brazo en la conexión de la tubería vertical. Aplique cinta Teflon® a los enrosques de la tubería. No apriete demasiado la cabeza de la regadera.

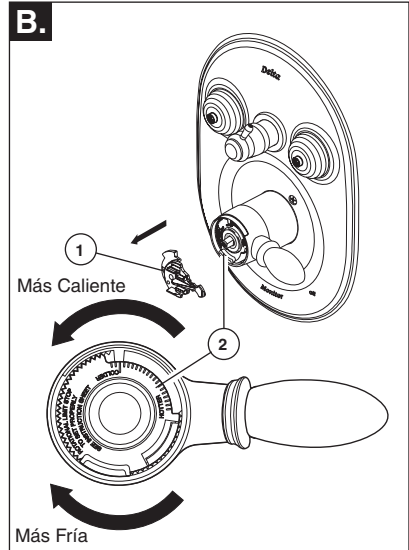
# Instalación de la Serie 18 - Unidades Sencillas

## 4

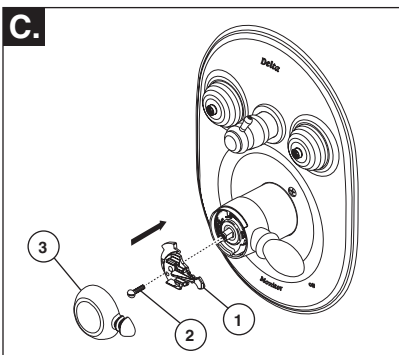
### Instalación y Ajuste del Tope que Limita la Rotación



Instale la manija de control del volumen (1) con la palanca hacia la derecha, luego gírela a la posición abierta. **NO FIJE CON TORNILLO.** Instalación y Ajuste del Tope que Limita la Rotación Coloque la perilla para el control de la temperatura (2) en la manija para controlar el volumen y gire a la posición mixta (si se requiere). **NO FIJE CON TORNILLO.** Abra los suministros de agua; deje que el agua corra hasta que ambas, el agua caliente y la fría, estén lo más caliente/fría posible. Coloque el termómetro en un vaso plástico, y sostenga el vaso debajo del chorro de agua. Tome nota de la temperatura.



Si la temperatura del agua es más de 120°F, quite la perilla para el control de la temperatura (1) y gire el tope (2) en sentido de las manecillas del reloj un diente por cada 4°F-6°F (aproximadamente) de cambio de temperatura. Si la temperatura del agua es más fría de lo deseado, gire el tope en sentido contrario de las manecillas del reloj.



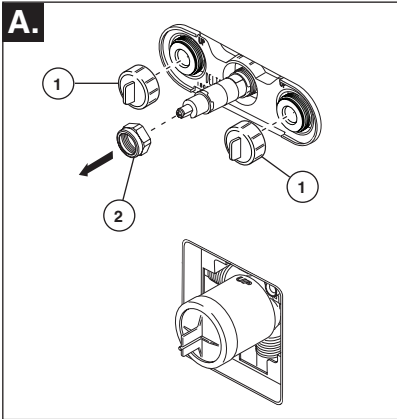
Fije la perilla para el control de la temperatura (1) con un tornillo (2) y coloque a presión la cubierta del control (3) en la perilla. **NOTA:** Fije con un tornillo hasta que se reduzca el tambaleo de la manija, **NO APRIETE TOTALMENTE.** Si aprieta demasiado no podrá operar la perilla para el control de la temperatura fácilmente. El tornillo se cierra automáticamente.

**IMPORTANTE:** La primera posición del tope que limita la rotación (el pare) es aquella que limita más la rotación de la espiga y es la que está en la colocación máxima en sentido contrario a las manecillas del reloj. De acuerdo a los estándares de la industria, la temperatura máxima permitida del agua que sale de la válvula es 120° F. Esta temperatura puede variar en su área. Si el agua de entrada cambia de temperatura, se puede requerir el reajuste del tope que limita la rotación. Por ejemplo, durante el invierno, la temperatura del agua fría es más fría que durante el verano, esto puede resultar en temperaturas variadas de agua de entrada. La temperatura típica para un baño o ducha agradable es entre 90°-110° F.

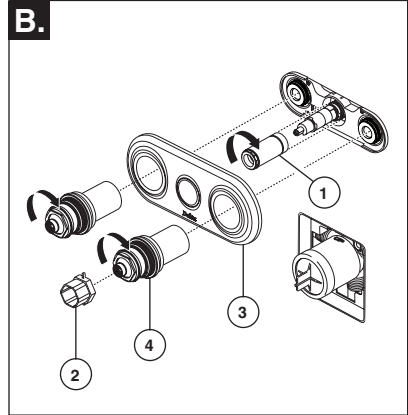
# Instalación de la Serie 18T

# 1

## Instalación de los Accesorios del Jetted Shower™

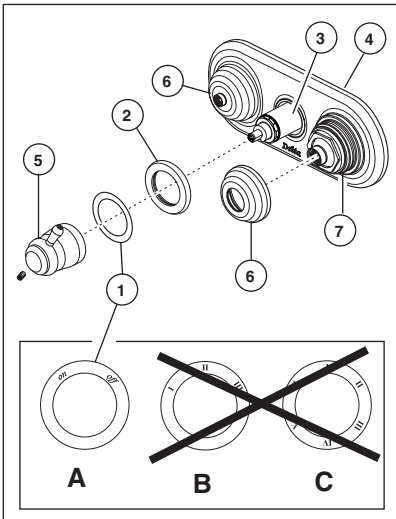


**Cierre los suministros de agua.** Destornille las tapas de prueba (1) del cuerpo. Si no es para instalar en pared delgada, puede quitar el protector de yeso completo. Quite la tuerca tapa (2) del cuerpo.



Enrosque la manga (1) en el cuerpo de bronce. Use una llave de tuercas para apretar. Coloque la placa ovalada (2) sobre el módulo del cuerpo del chorro. Enrosque los ensambles de la manga del chorro (3) en el cuerpo del módulo del chorro. Use una llave de tuercas (4) para apretar los ensambles de la manga. **AVISO: NO APRIETE DEMASIADO. APRIETE HASTA QUE LA PLACA QUEDE PLANA CONTRA LA PARED.**

# C.



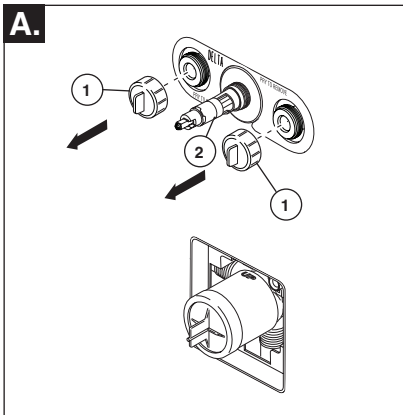
Elija la etiqueta apropiada (1) (la etiqueta A para abrir/cerrar se usa sólo en la regadera de chorro estándar Jetted Shower™) y ensamble en el aro de accesorio (2) (Refiérase a continuación a la tabla para obtener la selección apropiada de la etiqueta.) Deslice el aro de accesorio en la manga (3) hasta que toque fondo en la placa (4). Instale la manija (5) en la espiga. Apriete el tornillo de ajuste para fijarlo. Enrosque los ensambles de la tapa (6) en los ensambles de la manga del chorro (7).

	Jetted Shower™	Jetted Shower XO™	
		2 tomas de agua	3 tomas de agua
Extensión para la espiga	Blanco	Azul	Negro
Etiqueta	A	B	C

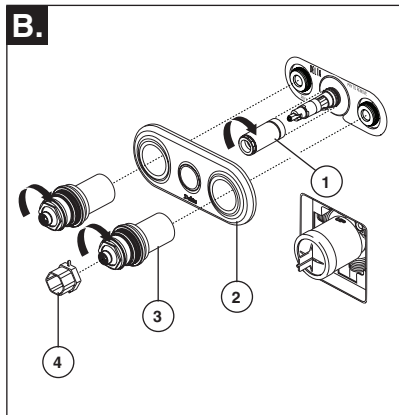
# Instalación de la Serie 18T

## 1

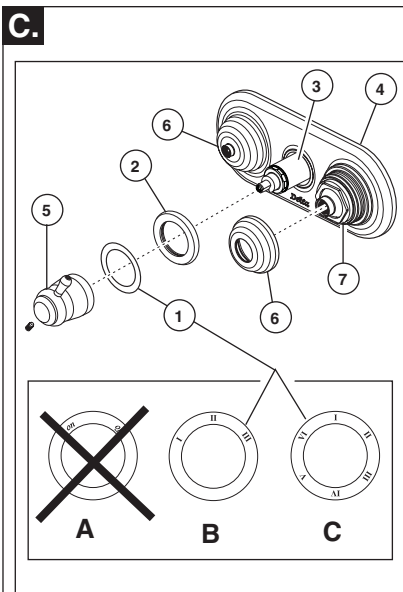
### Instalación de Accesorios del Módulo de la Regadera a Chorro Jetted Shower XO™



**Cierre los suministros de agua.** Destornille las tapas de prueba (1) del cuerpo. Si no es para instalar en pared delgada, puede quitar el protector de yeso completo. **IMPORTANTE: TOMA NOTA DEL COLOR DE LA BASE EN LA EXTENSIÓN DE LA ESPIGA (2) PARA USARLA MÁS ADELANTE. (COMO REFERENCIA, VEA LA TABLA A CONTINUACIÓN.)**



Enrosque la manga (1) en el cuerpo de bronce. Use una llave de tuercas para apretar. Coloque la placa ovalada (2) sobre el módulo del cuerpo del chorro. Enrosque los ensambles de la manga del chorro (3) en el cuerpo del módulo del chorro. Use la llave de tuercas (4) para apretar los ensambles de la manga. **Aviso: No apriete demasiado. Apriete hasta que la placa quede plana contra la pared.**



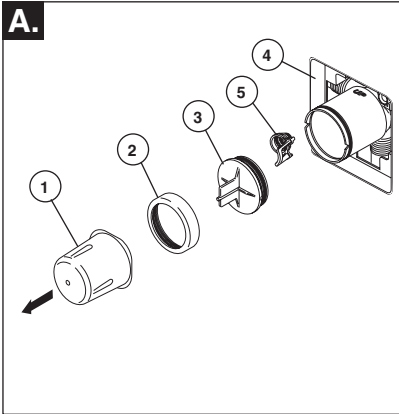
Elija la etiqueta apropiada (1), la etiqueta B de 3 posiciones (que se usa con la extensión azul para la espiga) o la etiqueta C de 6 posiciones (que se usa con la extensión negra para la espiga) y ensámblela en el aro de accesorio (2). Refiérase a continuación a la tabla para obtener la selección apropiada de la etiqueta. Deslice el accesorio en la manga (3) hasta que toque fondo en la placa (4). Instale la manija (5) en la espiga. Apriete el tornillo de ajuste para fijarla. Enrosque los ensambles de la tapa (6) en los ensambles de la manga del chorro (7).

	Jetted Shower™	Jetted Shower XO™	
		2 tomas de agua	3 tomas de agua
Extensión para la espiga	Blanco	Azul	Negro
Etiqueta	A	B	C

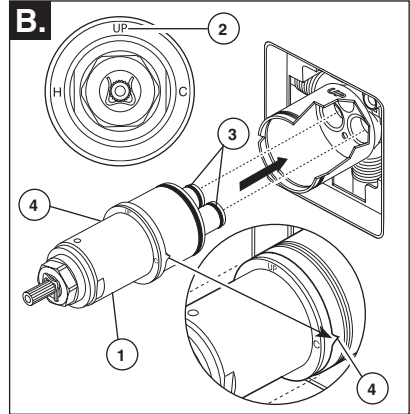


## 2

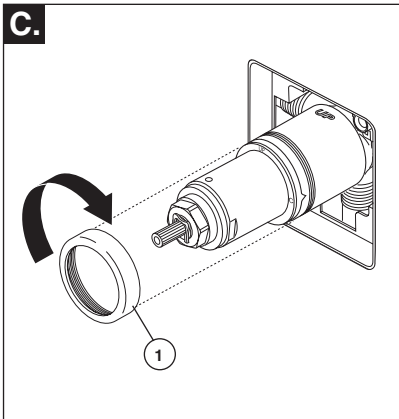
### Instalación del Cartucho



**Cierre los suministros de agua.** Quite la cubierta (1), la tuerca tapa (2) y la tapa de prueba (3). Si no es para instalar en pared delgada, puede quitar el protector (4) de yeso completo. Si la pantalla (5) está en lugar, quite antes de instalar el cartucho.

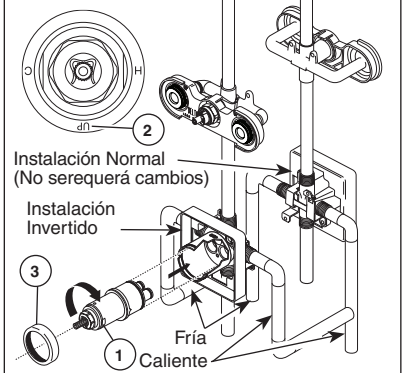


Gire el cartucho (1) de manera que la palabra "UP" (2) aparezca encima. Introduzca el cartucho en el cuerpo de la válvula como se muestra. Asegúrese que los tubos del cartucho y los aros O (3) estén debidamente sentados en los agujeros en la base del cuerpo. Asegúrese que los dentados estén completamente encajados en las muescas del cuerpo (4).



Deslice la tuerca tapa (1) sobre el cartucho y enrosque en el cuerpo de la válvula. Apriete a mano bien.

### Instalación de Espalda a Espalda

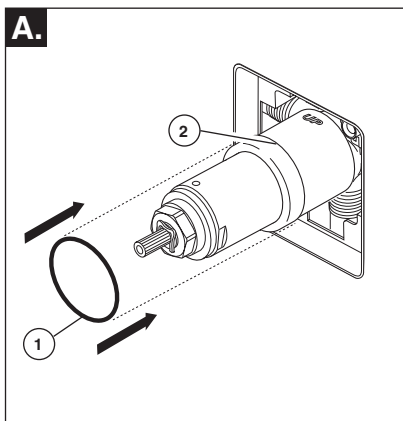


En las instalaciones dorso con dorso (el agua caliente en la derecha y la fría en la izquierda): Gire el cartucho (1) de manera que la palabra "UP" (2) aparezca en la parte inferior. Instale el cartucho asegurándose que el diente este completamente encajados en las muescas del cuerpo de bronce (vea el paso B). Deslice la tuerca tapa (3) sobre el cartucho y enrosque en el cuerpo de la válvula. Apriete a mano bien.

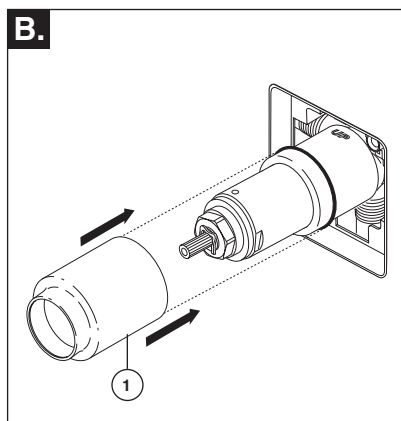
# Instalación de la Serie 18T

## 3

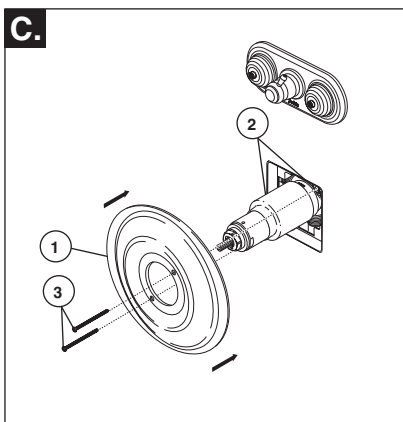
### Instalación Final



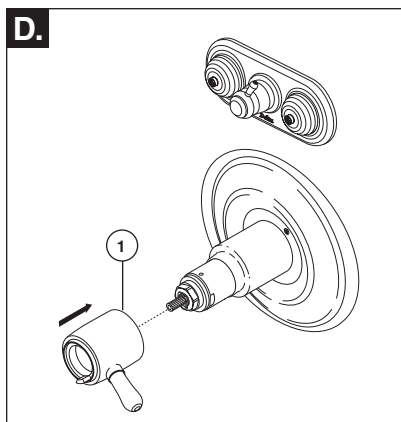
Deslice el aro O (1) sobre el cartucho y la tuerca tapa (2). El aro O, el cual funciona como un separador para estabilizar la manga, debe quedar apoyado en la tuerca tapa.



Deslice la manga (1) sobre el cartucho, el cuerpo de la pieza y el aro O.



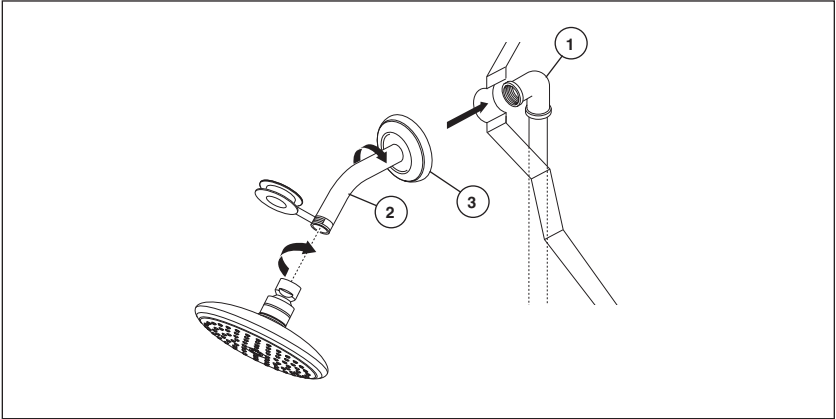
Fije la roseta con orificio (1) y la placa de atrás (2) (si su modelo tiene una) al soporte (3) usando los 2 tornillos suministrados (4). No apriete demasiado los tornillos de la roseta.



Instale la manija de control del volumen (1) con la palanca hacia la derecha, luego gírela a la posición abierta. **NO FIJE CON TORNILLO.**

### 4

#### Instalación de la Cabeza de la Regadera



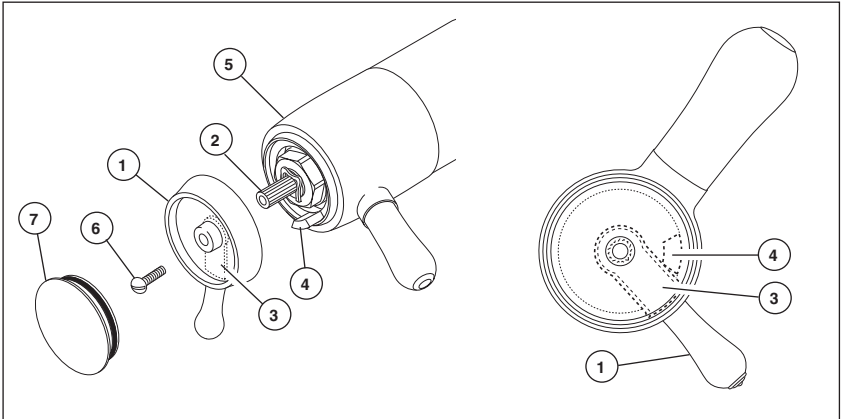
Conecte la toma de salida de agua superior (1) al brazo de la regadera (2) con los accesorios apropiados. Para prevenir daño al acabado del brazo de la regadera, introduzca el extremo que va hacia la pared del

brazo de la regadera dentro del reborde (3) antes de atornillar el brazo en la conexión de la tubería vertical. Aplique cinta Teflon® a los enrosques de la tubería. No apriete demasiado la cabeza de la regadera.

## Instalación de la Serie 18T

### 5

#### Instalación y Ajuste del Pomo de Temperatura



#### ¡Ajuste el tope del límite de temperatura!

Abra los suministros de agua; deje que corra el agua caliente y fría totalmente abierta para asegurar que el agua está fluyendo lo más caliente/fría posible. Coloque un termómetro en un vaso plástico, y sostenga el vaso bajo un chorro de agua. Coloque la perilla de temperatura (1) en las ranuras (2), luego gire la perilla de temperatura hasta que logre su temperatura máxima deseada de salida (no más de 120° ó la temperatura

más baja autorizada por su código local de plomería). Quite el pomo de la temperatura y colóquela otra vez en las ranuras (2), asegurándose que el pomo del tope del límite de la temperatura (3) pegue contra la manija del tope del límite del volumen (4) como se muestra. Fije la manija para el ajuste del volumen con un tornillo de ajuste (5). Fije el pomo de la temperatura usando un tornillo (6) y coloque la tapa (7) en el pomo.

## Limpeza y Cuidado de su Llave

Tenga cuidado al ir a limpiar este producto. Aunque su acabado es sumamente durable, puede ser afectado por agentes de limpieza o para pulir abrasivos. Para limpiar su llave, simplemente frótelas con un trapo húmedo y luego séquela con una toalla suave

## Mantenimiento de la Serie 18

### **No puede recibir más de un goteo de agua:**

Debe de hacerse sobrepresión en ambas líneas de suministro de agua caliente y fría. Si solamente se le hace presión a un solo lado, el sistema de presión balaceada no permitirá que el agua corra adecuadamente.

### **La manija para el control del volúmen rota 360 grados o no está en la posición correcta de acuerdo al espejo de popa. (El manguito también está flojo).**

Las llaves del cartucho no han sido apropiadamente colocadas en el chavetero en el cuerpo de bronce o las llaves en el cartucho han sido cortadas por causa de instalación inapropiada. **ASEGURESE DE CORREGIR ESTA SITUACION INMEDIATAMENTE.**

### **No puede recibir suficiente agua caliente:**

Ver el paso 3 y/o examine la temperatura del calentador de agua.

### **Si la llave tiene filtraciones del tubo de salida de la bañera/regadera:**

**CIERRE LOS SUMINISTROS DE AGUA.** Reemplace los asientos, resortes y sellos de goma - Equipo de Reparación RP46073.

### **Si la filtración persiste:**

**CIERRE LOS SUMINISTROS DE AGUA.** Reemplace el ensamble del cartucho - RP46463

**Incapaz de mantener una temperatura de agua constante:** **CIERRE LOS SUMINISTROS DE AGUA.** Quite el ensamble del cartucho, Agítelo de lado a lado. El carrete debe de sonar dentro del manguito. Si no hay sonido, puede ser que el carrete esté atascado. El carrete se puede soltar golpeándolo de lado a lado contra la palma de su mano. Si el carrete no puede soltarse reemplace el ensamble del cartucho—RP46463

**NOTA:** Si el agua en su área contiene cal, moho, arena, u otros contaminantes su válvula de presión balanceada requerirá inspección periódica. La frecuencia de la inspección dependerá de la cantidad de contaminantes en el agua. Para inspeccionar el cartucho, saque el cartucho del cuerpo y agítelo rigurosamente. Si hay un ruido (traqueteo) la unidad es funcional y puede ser reinstalada en su posición anterior. Si no hay traqueteo, reemplace el cartucho con la pieza RP46463.

## Mantenimiento de la Serie 18T

### **Si la llave de agua tiene una filtración o escape de agua desde el surtidor o la cabeza de la regadera:**

**CIERRE LOS SUMINISTROS DE AGUA.** Cambie el Ensamble del cartucho – Piezas de Repuesto RP47201.

**Notes / Notas / Notes**



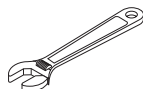
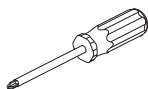
ASME A112.18.1 / CSA B125.1  
ASSE 1016

# Instructions d'installation des éléments de finition du robinet Monitor® une manette pour MultiChoice® Jetted Shower<sup>MC</sup> (douche à gicleurs)

## 18 et 18T Séries

Inscrivez le numéro de modèle ici.

### Articles dont vous pouvez avoir besoin:



### Table des matières

Garanties .....	Page 2
Instructions d'installation, série18	
Appareils en deux pièces - Séries T18430 et T18455 ....	Pages 3 - 8
Appareils monobloc - Séries T18230, T18240 et T18255...	Pages 9 - 14
Instructions d'installation, Série 18T .....	Pages 15 - 20
Maintenance .....	Page 21
Pièces de rechange .....	Pages 22 - 29

**Ce robinet satisfait aux exigences des normes ASME A112.18.1/CSA B125.1 et ASSE 1016 ou les surpasse.**

**ATTENTION:** L'installateur doit régler l'appareil pour que la température maximale de l'eau chaude soit sans danger. Toute modification des réglages peut entraîner une élévation de la température à la sortie du robinet au delà de la température sans danger et pourrait causer un échaudage.

**AVIS À L'INSTALLATEUR : ATTENTION!** – En qualité d'installateur, vous êtes tenu d'INSTALLER et de REGLER ce robinet conformément aux instructions. Ce robinet ne s'adapte pas automatiquement aux fluctuations de la température de l'eau d'alimentation. Par conséquent, il faut régler la butée limitatrice de température ou le bouton de température au moment de l'installation et il peut être nécessaire de faire de nouveaux réglages par la suite en raison des fluctuations saisonnières de la température de l'eau. VOUS DEVEZ informer le propriétaire ou l'utilisateur de cette exigence. En cas de doute quant à la marche à suivre pour faire ces réglages, veuillez consulter les pages 8 et 14 (série 18) ou la page 20 (série 18T). Si vous avez encore des doutes, veuillez appeler au 1-800-345-DELTA.

Après avoir terminé l'installation et le réglage, vous devez inscrire, sur l'étiquette de mise en garde fournie, votre nom, le nom de votre entreprise et la

date à laquelle vous avez réglé la butée limitatrice de température ou le bouton de température, puis fixer l'étiquette à l'endos de la porte de la coiffeuse. Vous devez également fixer l'étiquette d'avertissement au chauffe-eau. **Veillez laisser ce feuillet d'instructions au propriétaire ou à l'utilisateur pour qu'il puisse le consulter au besoin.**

**MISE EN GARDE –** Ce robinet thermostatique à équilibrage de pression pour baignoire est conçu pour limiter les effets des fluctuations de température de l'eau causées par les variations de la pression d'alimentation attribuables au fonctionnement d'un lave-vaisselle, d'une machine à laver, d'un cabinet d'aisances ou d'un autre appareil qui consomme de l'eau. Il peut ne pas protéger l'utilisateur contre l'échaudage en cas de défectuosité d'un autre dispositif de régulation de la température, si le réglage de la butée limitatrice de haute température ou du bouton de température est mauvais, si la température de l'eau chaude a été modifiée après que les réglages ont été effectués ou si la température de l'eau d'alimentation a changé en raison du changement de saison.

**MISE EN GARDE –** N'installez pas de dispositif d'arrêt sur une sortie quelconque de ce robinet. En interrompant l'écoulement de l'eau, ce dispositif peut empêcher le robinet d'équilibrer les pressions d'eau chaude et d'eau froide.

## Garantie à vie limitée des robinets et de leurs finis

Toutes les pièces et les finis du robinet Delta® sont protégés contre les défauts de fabrication de matériel et les vices de fabrication par une garantie qui est consentie au premier acheteur et qui demeure valide tant que celui-ci demeure propriétaire de sa maison. Delta recommande de faire appel à un plombier compétent pour l'installation et la réparation du robinet.

Pendant la période de garantie, Delta remplacera GRATUITEMENT toute pièce ou tout fini, présentant une déféctuosité de matériel ou un vice de fabrication pour autant que l'appareil ait été installé, utilisé et entretenu correctement. Pour obtenir des pièces de rechange, veuillez communiquer par téléphone au numéro 1-800-345-DELTA (aux États-Unis ou au Canada) et par écrit à l'une des adresses suivantes :

Aux États-Unis:  
Delta Faucet Company  
Product Service  
55 E. 111th Street  
Indianapolis, IN 46280

Au Canada:  
Masco Canada Limited, Plumbing Group  
Technical Service Centre  
420 Burbrook Place  
London, ON N6A 4L6

La présente garantie s'applique au remplacement de toutes les pièces défectueuses, y compris le fini, et elle ne couvre que ces éléments. LES FRAIS DE MAIN-D'OEUVRE ET (OU) LES DOMMAGES PROVOQUÉS, AU COURS DE L'INSTALLATION, DE LA RÉPARATION OU DU REMPLACEMENT D'UN ÉLÉMENT AINSI QUE

LES PERTES OU DOMMAGES DE TOUTE AUTRE NATURE NE SONT PAS COUVERTS PAR LA GARANTIE. Toute réclamation en vertu de la présente garantie doit être adressée à Delta, accompagnée de la preuve d'achat (original de la facture) du premier acheteur. CETTE GARANTIE EST LA SEULE OFFERTE PAR DELTA FAUCET COMPANY OU DELTA FAUCET CANADA, SELON LE CAS. ELLE EXCLUT TOUTE AUTRE GARANTIE, Y COMPRIS LA GARANTIE IMPLICITE DE QUALITÉ MARCHANDE.

Les robinets installés dans un établissement industriel ou commercial ou dans une place d'affaires sont protégés par une garantie étdandue de cinq ans qui prend effet à compter de la date d'achat. Toutes les autres conditions de la garantie de cinq ans sont identiques à celle de la présente garantie. La présente garantie s'applique à tous les robinets Delta® fabriqués après le 1er janvier 1995.

Dans les États ou les provinces où il est interdit d'exclure ou de limiter les responsabilités à l'égard des dommages indirects ou fortuits, les exclusions et les limites susmentionnées ne s'appliquent pas. Les dommages résultant d'une mauvaise utilisation, d'une utilisation abusive de la négligence ou de l'utilisation de pièces autres que des pièces d'origine Delta® RENDENT LA GARANTIE NULLE ET SANS EFFET.

La présente garantie vous donne des droits précis qui peuvent varier selon votre lieu de résidence. Elle ne s'applique qu'aux robinets Delta® installés aux États-Unis, au Canada et au Mexique.

© 2008 Division de Masco Indiana

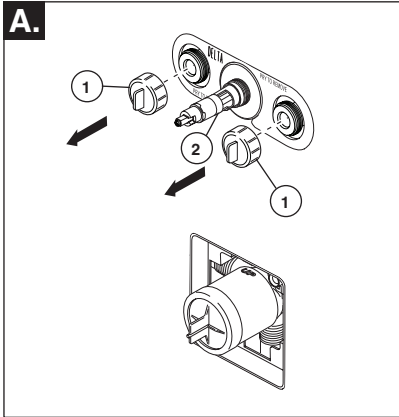




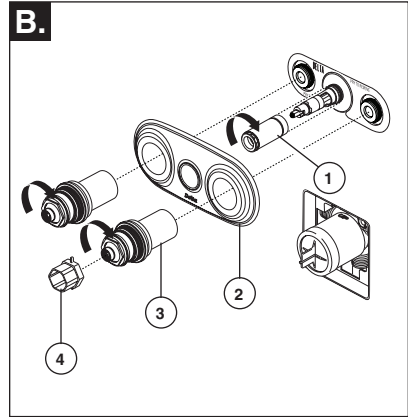
# Installation – Série 18 - Appareils en deux pièces

## 1

### Installation des éléments de finition du module de gicleurs Jetted Shower XO<sup>MC</sup>

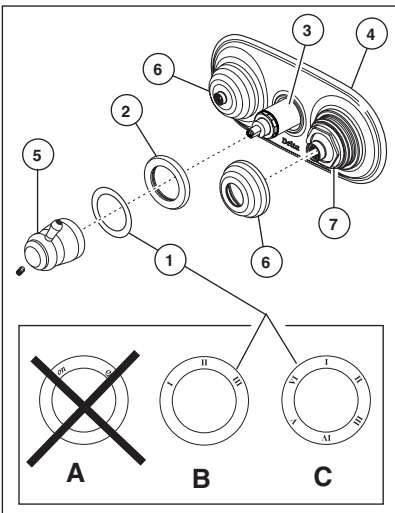


**Interrompez l'alimentation en eau.**  
Desserrez les capuchons d'essai (1) et retirez-les du corps. Si vous n'installez pas l'appareil dans une paroi mince, vous pouvez retirer le protecteur complètement. **IMPORTANT:** NOTEZ LA COULEUR SUR LA BASE DE LA RALLONGE DE TIGE (2). VOUS EN AUREZ BESOIN ULTÉRIEUREMENT (CONSULTEZ LE TABLEAU CI-DESSOUS).



Vissez le manchon (1) sur le corps en laiton. Serrez-le avec la clé. Placez la plaque de finition ovale (3) sur le module de gicleurs. Vissez les manchons de gicleur (4) sur le module de gicleurs. Utilisez la clé (2) pour serrer les manchons. **Attention – Prenez garde de trop serrer. Serrez jusqu'à ce que la plaque de finition soit bien appuyée contre le mur.**

## C.



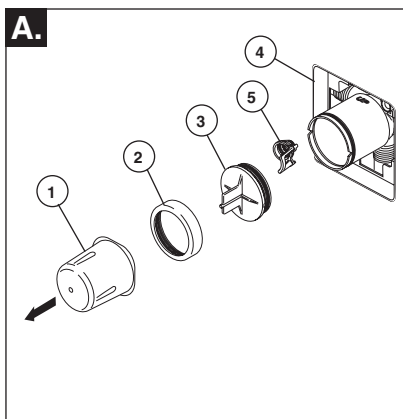
Choisissez l'étiquette appropriée (1), soit l'étiquette B à 3 positions (s'utilise avec la rallonge de tige bleue) ou l'étiquette C à 6 positions (s'utilise avec la rallonge de tige noire) et apposez-la sur l'anneau de finition (2). Consultez le tableau ci-dessous pour choisir la bonne étiquette. Faites glisser l'anneau de finition sur le manchon (3) jusqu'à ce qu'il s'appuie sur la plaque de finition (4). Montez la manette (5) sur la tige. Immobilisez-la à l'aide de la vis de calage. Vissez les bagues (6) sur les manchons (7).

	Jetted Shower <sup>TM</sup>	Jetted Shower XO <sup>TM</sup>	
		2 orifices	3 orifices
Rallonge de tige	Blanc	Bleu	Noir
Étiquette	A	B	C

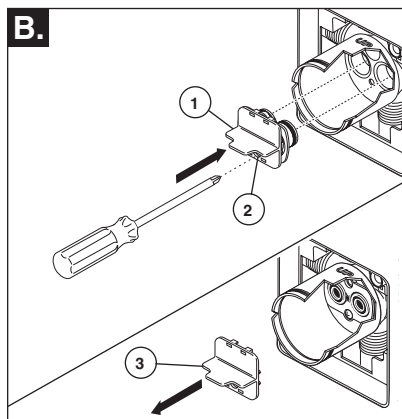
## Installation – Série 18 - Appareils en deux pièces

# 2

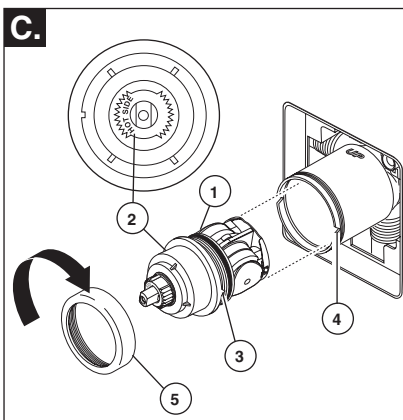
### Installation de la cartouche.



**Interrompez l'arrivée d'eau.** Enlevez le couvercle (1), l'écrou à portée sphérique (2) et le capuchon d'essai (3) du corps. Si vous n'installez pas l'appareil dans une paroi mince, vous pouvez retirer le protecteur (4) complètement. Si l'écran (5) est en place, enlevez avant d'installer la cartouche.

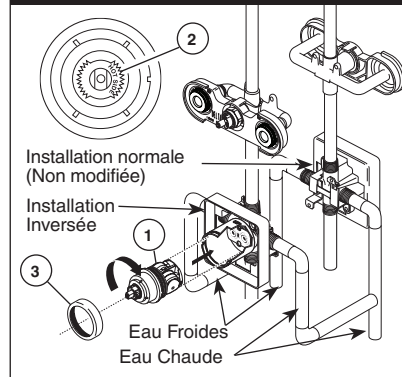


Introduisez l'adaptateur (1) dans le corps de la soupape. Assurez-vous que les l'adaptateur sont positionnés correctement dans les trous à la base du corps. Fixez l'adaptateur avec la vis (2) se trouvant dans celui-ci. Retirez la pièce de retenue (3) de l'adaptateur.



Tournez la cartouche (1) de sorte que la mention « HOT SIDE » (2) se trouve du côté gauche. Introduisez la cartouche dans le corps de la soupape. Assurez-vous que l'ergot (3) sur la cartouche est parfaitement engagé dans la rainure du corps en laiton (4). Faites glisser l'écrou à portée sphérique (5) sur la cartouche et vissez-le sur le corps. Serrez à la main fermement.

### Installation dos à dos

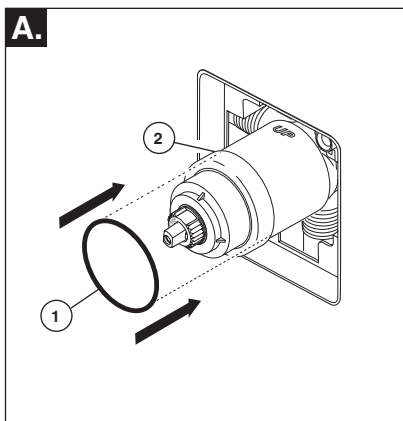


Dans le cas d'une installation dos à dos ou inversée (eau chaude à droite et eau froide à gauche) : Tournez la cartouche (1) de sorte que la mention « HOT SIDE »(2) se trouve du côté droit. Installez la cartouche en vous assurant que l'ergot est parfaitement engagé dans la rainure du corps en laiton. Faites glisser l'écrou à portée sphérique (3) sur la cartouche et vissez-le sur le corps. Serrez à la main fermement.

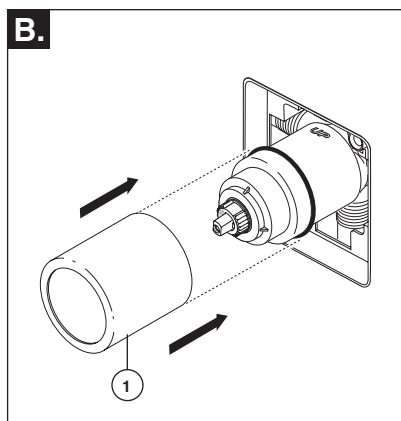
## Installation – Série 18 - Appareils en deux pièces

### 3

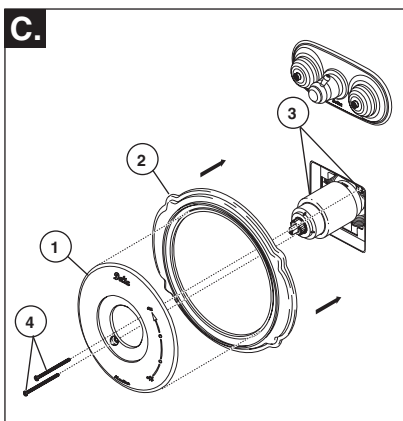
#### Installation des pièces de finition



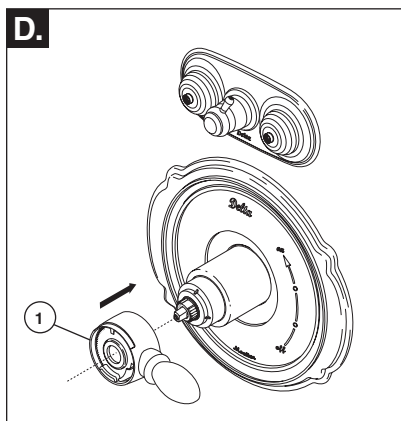
Faites glisser le joint torique (1) sur la cartouche et l'écrou à portée sphérique (2). Le joint sert de pièce d'espacement et il stabilise le manchon; il doit se trouver derrière l'écrou à portée sphérique.



Faites glisser le manchon (1) sur la cartouche, le corps et le joint torique.



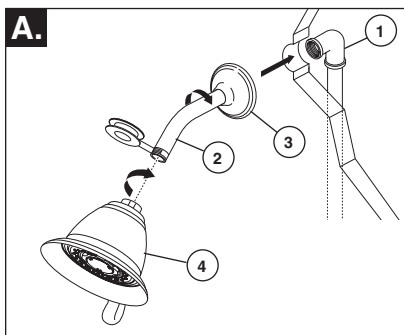
Fixez la rosace (1) et la plaque arrière (2) (si le modèle que vous installez en comporte une) sur le support (3) à l'aide des 2 vis fournies (4). Prenez garde de serrer les vis de la rosace excessivement.



Installez la manette de réglage de débit (1) de manière qu'elle pointe vers la droite, puis placez-la en position d'ouverture. **NE LA FIXEZ PAS AVEC LA VIS.**

## 4

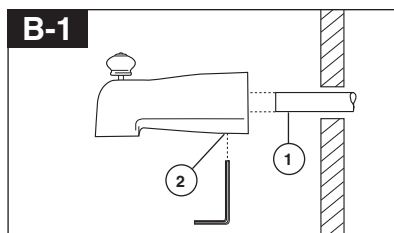
### Installation de la pomme de douche et du bec de baignoire



#### INSTALLATION DE LA POMME DE DOUCHE

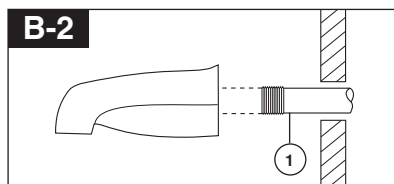
Raccordez la sortie supérieure (1) au tuyau d'alimentation de la pomme de douche (2) à l'aide des raccords appropriés. Pour éviter d'abîmer le fini du tuyau de la pomme de douche, introduisez le côté « rur » de celui-ci dans la collerette (3) avant de le visser dans le raccord du tuyau vertical. Appliquez du ruban de Téflon® sur les filets. Vissez la pomme de douche (4) sur le tuyau. Appliquez du ruban de Téflon® sur les filets. Prenez garde de serrer la pomme de douche excessivement.

**INSTALLATION DU BEC DE BAIGNOIRE :** Consultez les instructions d'installation fournies avec le bec. Ne raccordez pas à une soupape murale à un bec conçu pour être monté sur une plaque. Ne raccordez pas une douche à main à la sortie d'un robinet de baignoire-douche prévue pour un bec de baignoire. N'utilisez pas de tube PEX pour raccorder le bec.



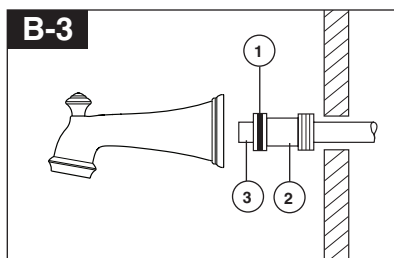
#### Installation d'un bec coulissant

Le tube de cuivre (1) doit avoir un diamètre nominal de 1/2 po. Important : Si vous devez couper le tube de cuivre, chanfreinez son extrémité de sorte qu'elle ne risque pas d'endommager le joint torique à l'intérieur du bec. Faites glisser le bec sur le tube de cuivre de sorte qu'il s'appuie contre la surface finie de la baignoire ou du mur. Serrez la vis de calage (3), mais prenez garde de la serrer excessivement.



#### Installation à l'aide d'un tuyau de fer

Installez le manchon fileté (1) 1/2 po (13 mm) de manière que sa saillie par rapport à la surface finie du mur. Appliquez du ruban de Téflon® sur les filets du manchon et fixez celui-ci au bec de baignoire en vissant.



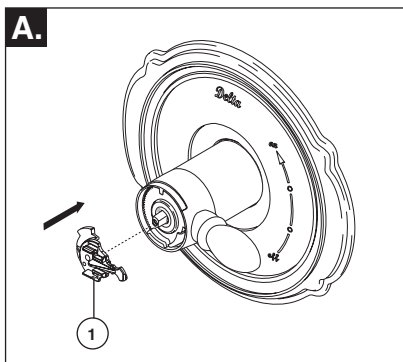
#### Installation à l'aide d'un tuyau de cuivre brasé

Retirez le joint torique (1) de l'adaptateur (2). Braisez l'adaptateur au tube en prenant garde d'échapper du métal d'apport dans la rainure pour le joint torique. ATTENTION : IL NE DOIT PAS Y AVOIR DE MÉTAL D'APPORT SUR LA CIRCONFÉRENCE EXTÉRIEURE DE L'ADAPTEUR PRÈS DE LA RAINURE POUR LE JOINT TORIQUE. Coupez le tube (3) et remettez le joint torique en place dans la rainure de l'adaptateur en laiton. Vissez le bec de baignoire sur l'adaptateur et prenant garde d'abîmer le joint torique. Serrez le bec à la main jusqu'à ce qu'il s'appuie solidement contre la surface finie de la paroi et qu'il n'y ait plus de jeu derrière le mur.

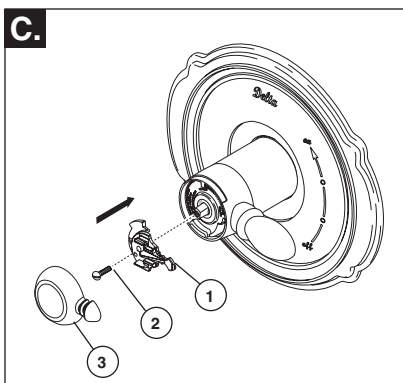
## Installation – Série 18 - Appareils en deux pièces

### 5

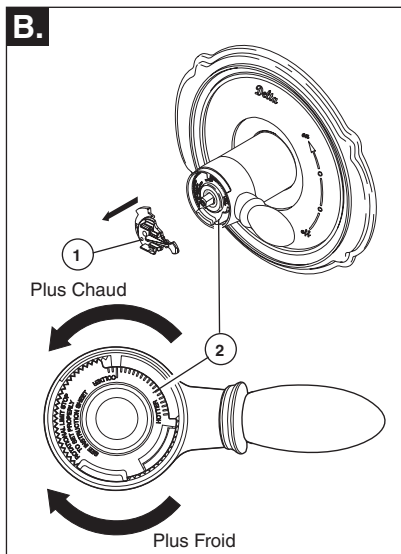
#### Installation et réglage de la butée anti-échaudage



Placez le bouton de réglage de température (1) sur la manette de réglage de débit et tournez-le jusqu'à la position de mélange (au besoin). **NE LE FIXEZ PAS AVEC LA VIS.** Rétablissez l'alimentation en eau. Laissez couler l'eau jusqu'à ce que l'eau froide soit aussi froide que possible et que l'eau chaude soit aussi chaude que possible. Mettez un thermomètre dans un gobelet en plastique, puis placez le gobelet sous le jet d'eau et attendez un peu. Notez la température de l'eau.



Fixez le bouton de réglage de température (1) avec la vis (2) et, en poussant fermement sur celui-ci, calez le couvercle (3) sur le bouton. **NOTE :** Serrez la vis jusqu'à ce que la manette cesse d'osciller. **NE LA SERREZ PAS À FOND.** Si vous la serrez excessivement, le bouton de réglage de température sera difficile à tourner. La vis est du type à autofreinage.

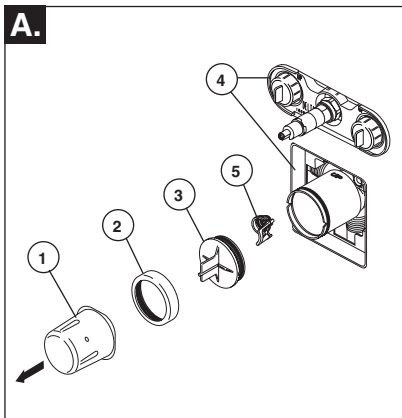


Si la température de l'eau sur le thermomètre est supérieure à 120 °F, retirez le bouton de réglage de température (1) et tournez la butée anti-échaudage (2) dans le sens horaire d'un cran par tranche de température d'environ 4 à 6 °F. Si l'eau n'est plus assez chaude, tournez la butée anti-échaudage dans le sens antihoraire.

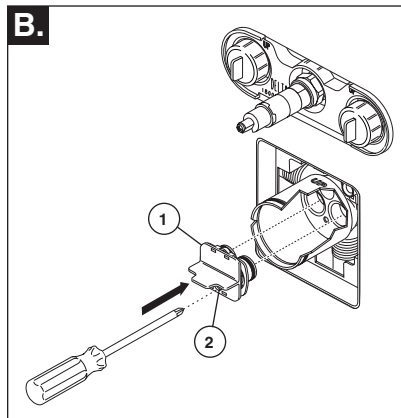
**IMPORTANT:** La première position de la butée anti-échaudage est celle qui limite le plus la rotation de la tige; elle se trouve à l'extrémité de la plage dans le sens horaire. Selon les normes de l'industrie, la température maximale de l'eau à la sortie de la soupape ne doit pas dépasser 120 °F. La température peut varier selon la région. Le réglage de la butée anti-échaudage peut être modifié si la température de l'eau d'alimentation a changé. À titre d'exemple, la température de l'eau froide est plus basse en hiver, ce qui influence la température de l'eau à la sortie de la soupape. La température idéale de l'eau pour un bain ou une douche se situe entre 90 et 110 °F.

## 1

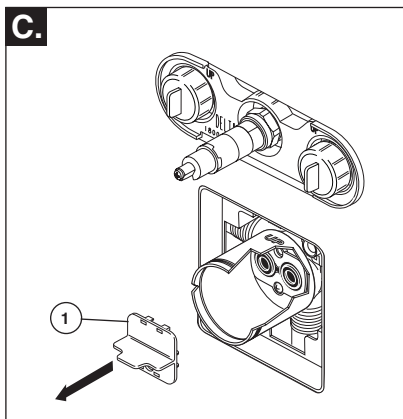
### Installation de la cartouche.



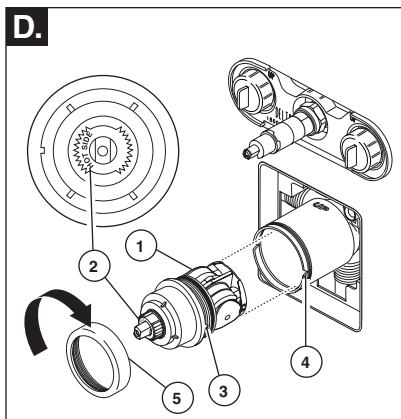
**Interrompez l'arrivée d'eau.** Enlevez le couvercle (1), l'écrou à portée sphérique (2) et le capuchon d'essai (3) du corps. Si vous n'installez pas l'appareil dans une paroi mince, vous pouvez retirer le protecteur (4) complètement. Si l'écran (5) est en place, enlevez avant d'installer la cartouche.



Introduisez l'adaptateur (1) dans le corps de la soupape. Assurez-vous que les l'adaptateur sont positionnés correctement dans les trous à la base du corps. Fixez l'adaptateur avec la vis (2) se trouvant dans celui-ci.



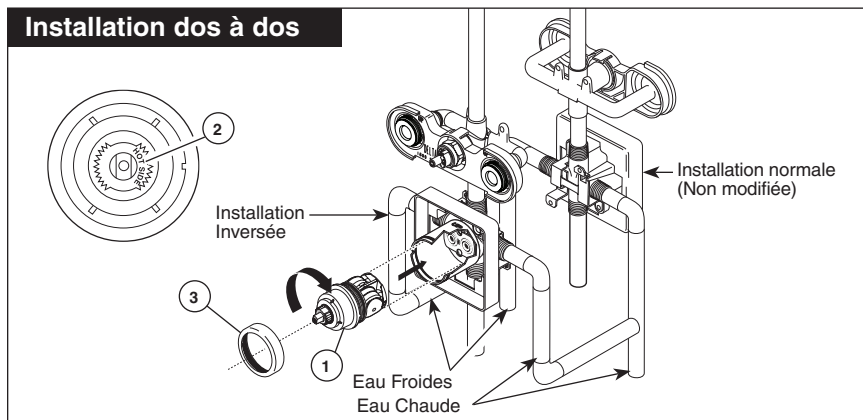
Retirez la pièce de retenue (1) de l'adaptateur.



Tournez la cartouche (1) de sorte que la mention « HOT SIDE » (2) se trouve du côté gauche. Introduisez la cartouche dans le corps de la soupape. Assurez-vous que l'ergot (3) sur la cartouche est parfaitement engagé dans la rainure du corps en laiton (4). Faites glisser l'écrou à portée sphérique (5) sur la cartouche et vissez-le sur le corps. Serrez à la main fermement.

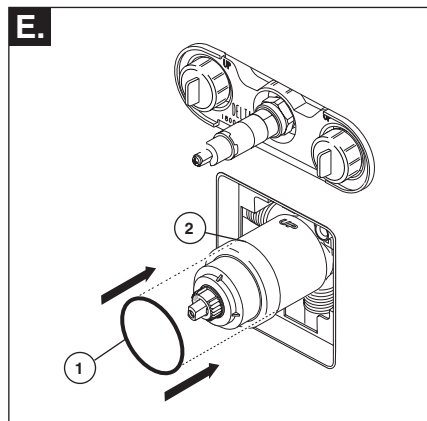
## Installation – Série 18 - Appareils monobloc

### Installation de la cartouche.

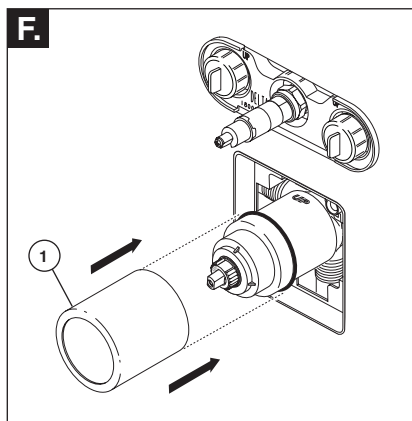


Dans le cas d'une installation dos à dos ou inversée (eau chaude à droite et eau froide à gauche) : Tournez la cartouche (1) de sorte que la mention « HOT SIDE » (2) se trouve du côté droit. Installez la cartouche en vous

assurant que l'ergot est parfaitement engagé dans la rainure du corps en laiton. Faites glisser l'écrou à portée sphérique (3) sur la cartouche et vissez-le sur le corps. Serrez à la main fermement.



Faites glisser le joint torique (1) sur la cartouche et l'écrou à portée sphérique (2). Le joint sert de pièce d'espacement et il stabilise le manchon; il doit se trouver derrière l'écrou à portée sphérique.



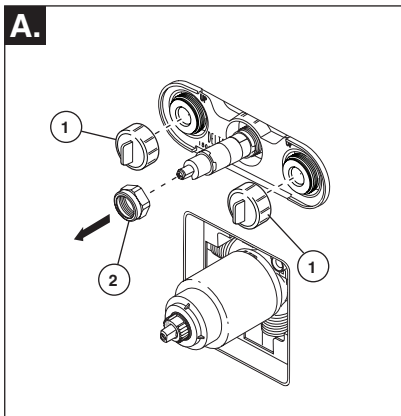
Faites glisser le manchon (1) sur la cartouche, le corps et le joint torique.



# Installation – Série 18 - Appareils monobloc

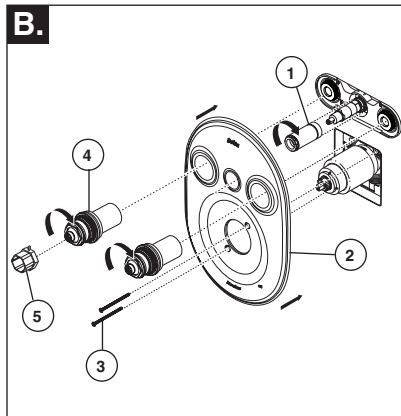
## 2

### Installation des éléments de finition Jetted Shower<sup>MC</sup>



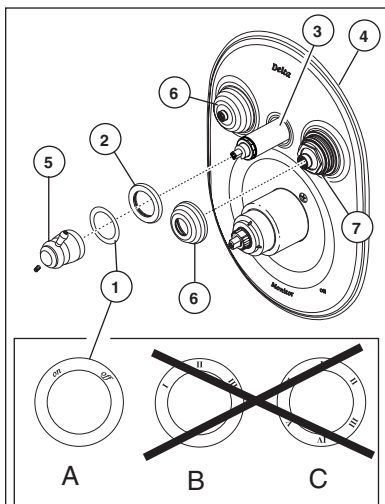
#### Interrompez l'alimentation en eau.

Desserrez les capuchons d'essai (1) et retirez-les du corps. Si vous n'installez pas l'appareil dans une paroi mince, vous pouvez retirer le protecteur complètement. Retirez l'écrou à portée sphérique (2) du corps.



Vissez le manchon (1) sur le corps en laiton. Serrez-le avec la clé. Placez la plaque de finition (2) sur le module de gicleurs. Montez les vis (3). Vissez les manchons de gicleur (4) sur le module de gicleurs. Utilisez la clé (5) pour serrer les manchons. **ATTENTION : PRENEZ GARDE DE TROP SERRER. SERREZ JUSQU'À CE QUE LA PLAQUE DE FINITION SOIT BIEN APPUYÉE CONTRE LE MUR.**

## C.



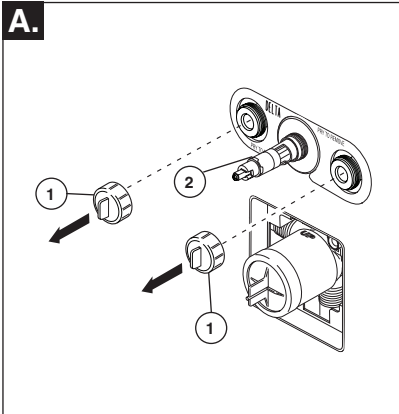
Sélectionnez l'étiquette (1) appropriée (l'étiquette off/on A doit être utilisée uniquement sur le robinet à gicleurs Jetted Shower<sup>MC</sup>) et appliquez-la sur l'anneau de finition (2). (Consultez le tableau ci-dessous pour choisir la bonne étiquette.) Faites glisser l'anneau de finition sur le manchon (3) jusqu'à ce qu'il s'appuie sur la plaque de finition (4). Montez la manette (5) sur la tige. Immobilisez-la en serrant la vis de calage. Vissez les bagues (6) sur les manchons de gicleur (7).

	Jetted Shower <sup>TM</sup>	Jetted Shower XO <sup>TM</sup>	
		2 orifices	3 orifices
Rallonge de tige	Blanc	Bleu	Noir
Étiquette	A	B	C

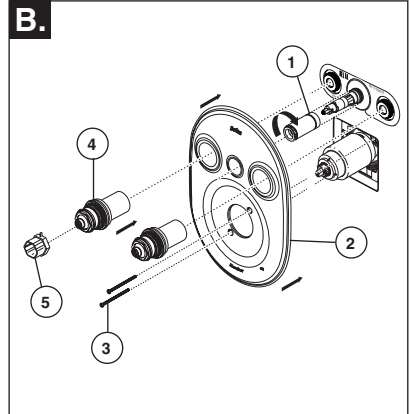
# Installation – Série 18 - Appareils monobloc

## 2

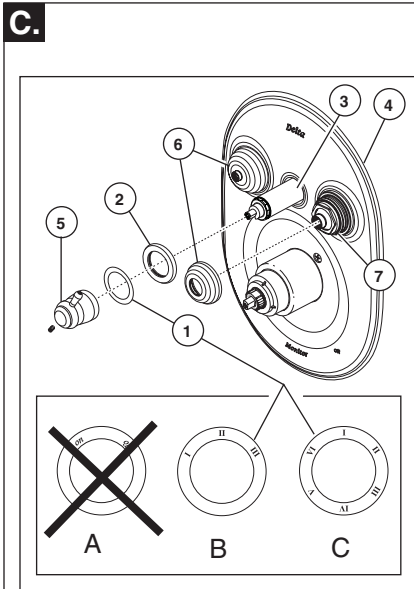
### Installation des éléments de finition Jetted Shower XO<sup>MC</sup>



**Interrompez l'alimentation en eau.** Desserrez les capuchons d'essai (1) et retirez-les du corps. Si vous n'installez pas l'appareil dans une paroi mince, vous pouvez retirer le protecteur complètement. **IMPORTANT: NOTEZ LA COULEUR SUR LA BASE DE LA RALLONGE DE TIGE (2). VOUS EN AUREZ BESOIN ULTÉRIEUREMENT (CONSULTEZ LE TABLEAU CI-DESSOUS).**



Vissez le manchon (1) sur le corps en laiton. Serrez-le avec la clé. Placez la plaque de finition (2) sur le module de gicleurs. Montez les vis (3). Vissez les manchons de gicleur (4) sur le module de gicleurs. Utilisez la clé (5) pour serrer les manchons. **ATTENTION : PRENEZ GARDE DE TROP SERRER. SERREZ JUSQU'À CE QUE LA PLAQUE DE FINITION SOIT BIEN APPUYÉE CONTRE LE MUR.**

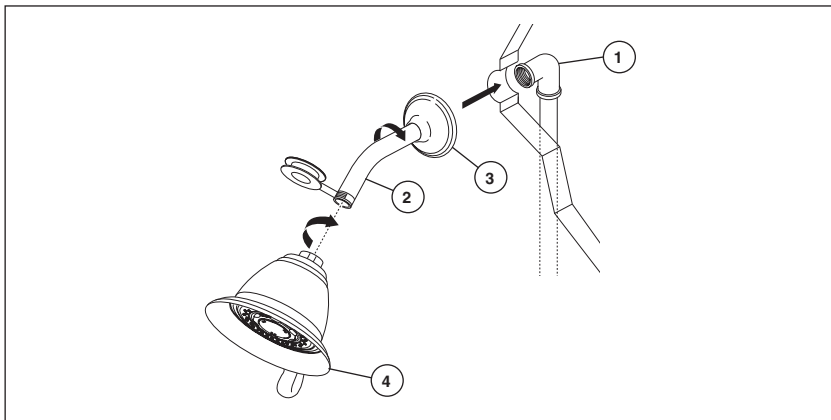


Choisissez l'étiquette appropriée (1), soit l'étiquette B à 3 positions (s'utilise avec la rallonge de tige bleue) ou l'étiquette C à 6 positions (s'utilise avec la rallonge de tige noire) et apposez-la sur l'anneau de finition (2). Consultez le tableau ci-dessous pour choisir la bonne étiquette. Faites glisser l'anneau de finition sur le manchon (3) jusqu'à ce qu'il s'appuie sur la plaque de finition (4). Montez la manette (5) sur la tige. Immobilisez-la à l'aide de la vis de calage. Vissez les bagues (6) sur les manchons (7).

	Jetted Shower <sup>TM</sup>	Jetted Shower XO <sup>TM</sup>	
		2 orifices	3 orifices
Rallonge de tige	Blanc	Bleu	Noir
Étiquette	A	B	C

### 3

#### Installation de la pomme de douche



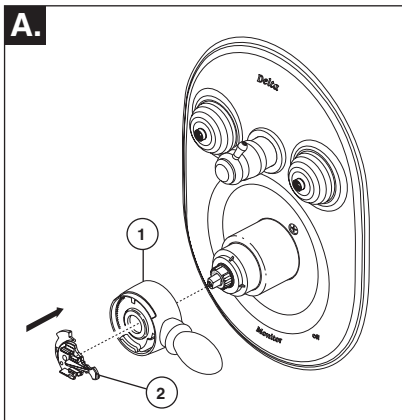
Raccordez la sortie supérieure (1) au tuyau d'alimentation de la pomme de douche (2) à l'aide des raccords appropriés. Pour éviter d'abîmer le fini du tuyau de la pomme de douche, introduisez le côté « mur » de celui-ci dans la collerette (3) avant de

le visser dans le raccord du tuyau vertical. Appliquez du ruban de Téflon® sur les filets. Vissez la pomme de douche (4) sur le tuyau. Appliquez du ruban de Téflon® sur les filets. Prenez garde de serrer la pomme de douche excessivement.

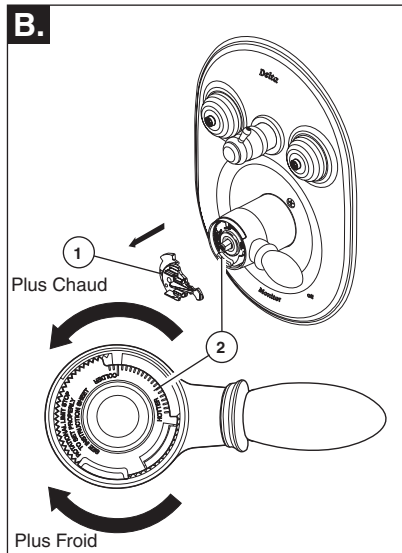
## Installation – Série 18 - Appareils monobloc

### 4

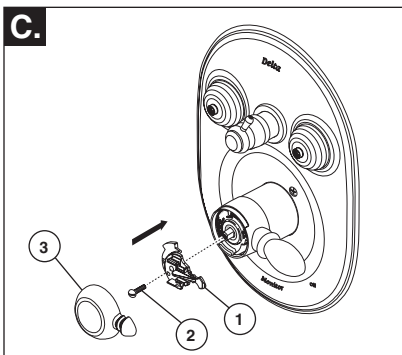
#### Installation et réglage de la butée anti-échaudage



Placez le bouton de réglage de température (1) sur la manette de réglage de débit et tournez-le jusqu'à la position de mélange (au besoin). **NE LE FIXEZ PAS AVEC LA VIS.** Rétablissez l'alimentation en eau. Laissez couler l'eau jusqu'à ce que l'eau froide soit aussi froide que possible et que l'eau chaude soit aussi chaude que possible. Mettez un thermomètre dans un gobelet en plastique, puis placez le gobelet sous le jet d'eau et attendez un peu. Notez la température de l'eau.



Si la température de l'eau sur le thermomètre est supérieure à 120 °F, retirez le bouton de réglage de température (1) et tournez la butée anti-échaudage (2) dans le sens horaire d'un cran par tranche de température d'environ 4 à 6 °F. Si l'eau n'est plus assez chaude, tournez la butée anti-échaudage dans le sens antihoraire.

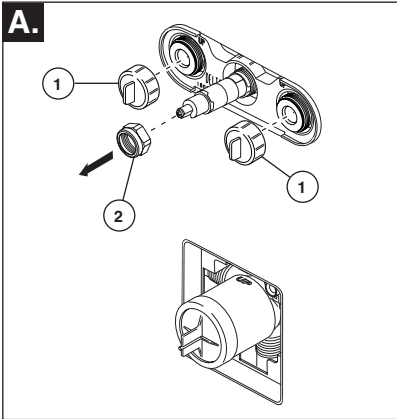


Fixez le bouton de réglage de température (1) avec la vis (2) et, en poussant fermement sur celui-ci, calez le couvercle (3) sur le bouton. **NOTE :** Serrez la vis jusqu'à ce que la manette cesse d'osciller. **NE LA SERREZ PAS À FOND.** Si vous la serrez excessivement, le bouton de réglage de température sera difficile à tourner. La vis est du type à autofreinage.

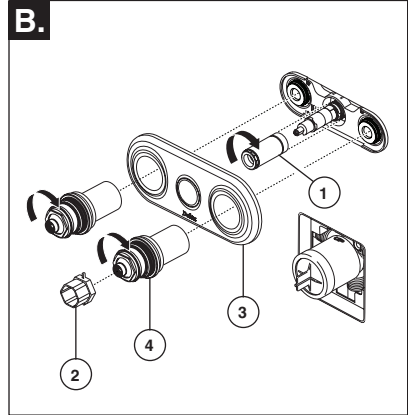
**IMPORTANT:** La première position de la butée anti-échaudage est celle qui limite le plus la rotation de la tige; elle se trouve à l'extrémité de la plage dans le sens horaire. Selon les normes de l'industrie, la température maximale de l'eau à la sortie de la soupape ne doit pas dépasser 120 °F. La température peut varier selon la région. Le réglage de la butée anti-échaudage peut être modifié si la température de l'eau d'alimentation a changé. À titre d'exemple, la température de l'eau froide est plus basse en hiver, ce qui influence la température de l'eau à la sortie de la soupape. La température idéale de l'eau pour un bain ou une douche se situe entre 90 et 110 °F.

# 1

## Installation des éléments de finition du module de gicleurs Jetted Shower<sup>MC</sup>

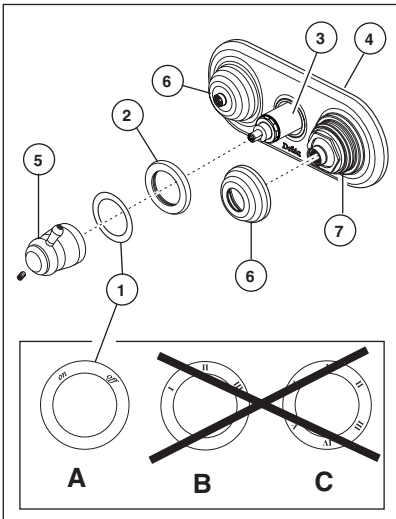


**Interrompez l'alimentation en eau.** Desserrez les capuchons d'essai (1) et retirez-les du corps. Si vous n'installez pas l'appareil dans une paroi mince, vous pouvez retirer le protecteur complètement. Retirez l'écrou à portée sphérique (2) du corps.



Vissez le manchon (1) sur le corps en laiton. Serrez-le avec la clé. Placez la plaque de finition ovale (2) sur le module de gicleurs. Vissez les manchons de gicleur (3) sur le module de gicleurs. Utilisez la clé (4) pour serrer les manchons. **ATTENTION : PRENEZ GARDE DE TROP SERRER. SERREZ JUSQU'À CE QUE LA PLAQUE DE FINITION SOIT BIEN APPUYÉE CONTRE LE MUR.**

# C.



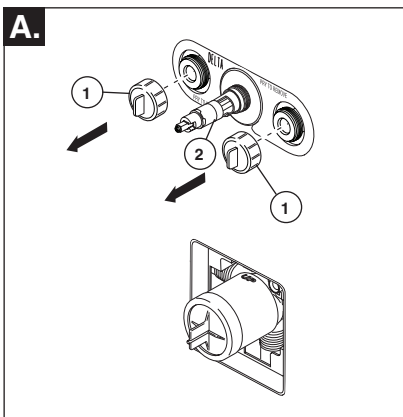
Sélectionnez l'étiquette (1) appropriée (l'étiquette off/on A doit être utilisée uniquement sur le robinet à gicleurs Jetted Shower<sup>MC</sup>) et appliquez-la sur l'anneau de finition (2). (Consultez le tableau ci-dessous pour choisir la bonne étiquette.) Faites glisser l'anneau de finition sur le manchon (3) jusqu'à ce qu'il s'appuie sur la plaque de finition (4). Montez la manette (5) sur la tige. Immobilisez-la en serrant la vis de calage. Vissez les bagues (6) sur les manchons de gicleur (7).

	Jetted Shower <sup>TM</sup>	Jetted Shower XO <sup>TM</sup>	
		2 orifices	3 orifices
Rallonge de tige	Blanc	Bleu	Noir
Étiquette	A	B	C

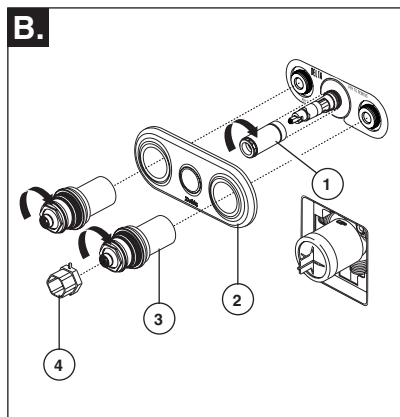
# Installation – Série 18T

# 1

## Installation des éléments de finition du module de gicleurs Jetted Shower XO<sup>MC</sup>

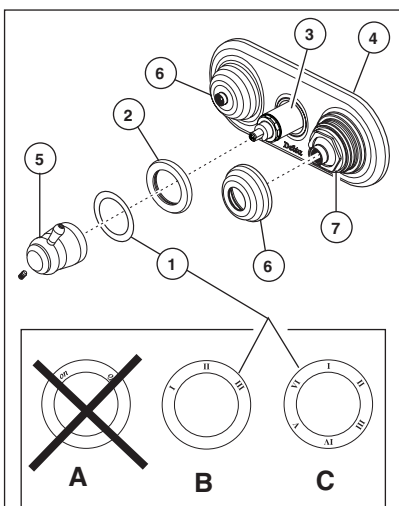


**Interrompez l'alimentation en eau.** Desserrez les capuchons d'essai (1) et retirez-les du corps. Si vous n'installez pas l'appareil dans une paroi mince, vous pouvez retirer le protecteur complètement. **IMPORTANT: NOTEZ LA COULEUR SUR LA BASE DE LA RALLONGE DE TIGE (2). VOUS EN AUREZ BESOIN ULTÉRIEUREMENT (CONSULTEZ LE TABLEAU CI-DESSOUS).**



Vissez le manchon (1) sur le corps en laiton. Serrez-le avec la clé. Placez la plaque de finition ovale (2) sur le module de gicleurs. Vissez les manchons de gicleur (3) sur le module de gicleurs. Utilisez la clé (4) pour serrer les manchons. **Attention – Prenez garde de trop serrer. Serrez jusqu'à ce que la plaque de finition soit bien appuyée contre le mur.**

# C.

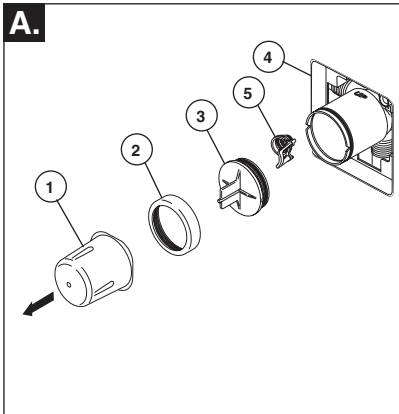


Choisissez l'étiquette appropriée (1), soit l'étiquette B à 3 positions (s'utilise avec la rallonge de tige bleue) ou l'étiquette C à 6 positions (s'utilise avec la rallonge de tige noire) et apposez-la sur l'anneau de finition (2). Consultez le tableau ci-dessous pour choisir la bonne étiquette. Faites glisser l'anneau de finition sur le manchon (3) jusqu'à ce qu'il s'appuie sur la plaque de finition (4). Montez la manette (5) sur la tige. Immobilisez-la à l'aide de la vis de calage. Vissez les bagues (6) sur les manchons (7).

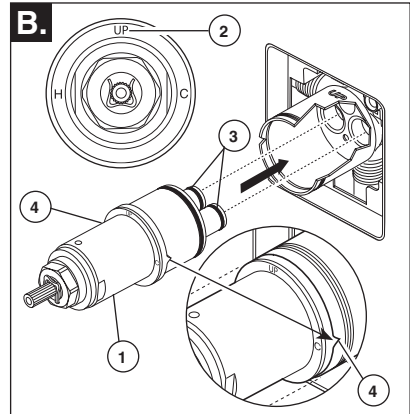
	Jetted Shower <sup>TM</sup>	Jetted Shower XO <sup>TM</sup>	
		2 orifices	3 orifices
Rallonge de tige	Blanc	Bleu	Noir
Étiquette	A	B	C

## 2

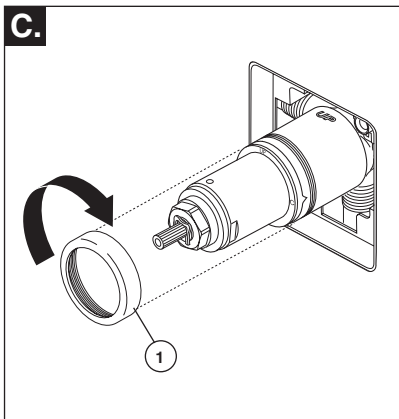
### Installation de la cartouche.



**Interrompez l'arrivée d'eau.** Enlevez le couvercle (1), l'écrou à portée sphérique (2) et le capuchon d'essai (3) du corps. Si vous n'installez pas l'appareil dans une paroi mince, vous pouvez retirer le protecteur (4) complètement. Si l'écran (5) est en place, enlevez avant d'installer la cartouche.

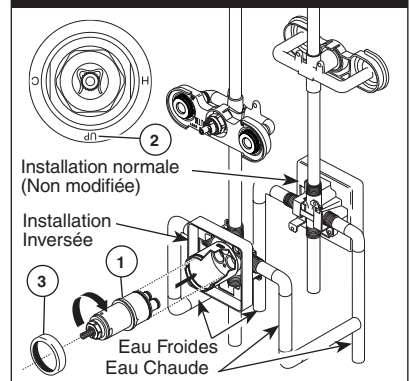


Tournez la cartouche (1) de sorte que le mot « UP » (2) se trouve sur le dessus. Introduisez la cartouche dans le corps de la soupape comme le montre la figure. Assurez-vous que les tubes et les joints toriques (3) sont bien calés dans les orifices à la base du corps. Assurez-vous que les ergots sont parfaitement engagés dans les rainures du corps (4).



Faites glisser l'écrou à portée sphérique (1) sur la cartouche et vissez-le sur le corps. Serrez à la main fermement.

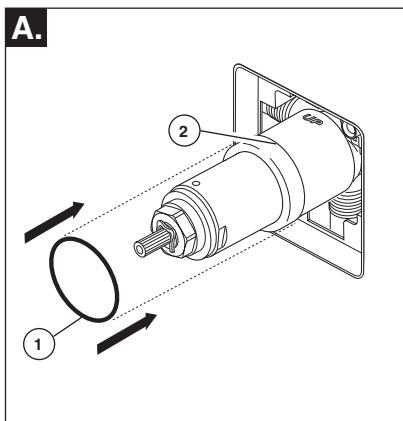
### Installation dos à dos



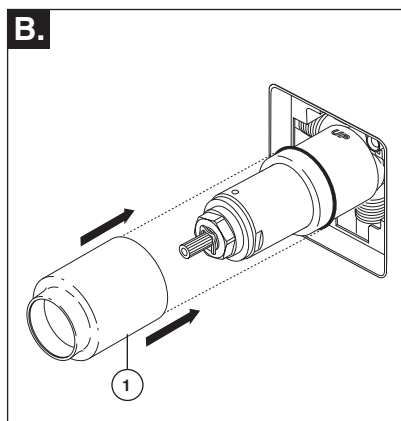
Dans le cas d'une installation dos à dos ou inversée (eau chaude à droite et eau froide à gauche) : Tournez la cartouche (1) de sorte que le mot « UP » (2) se trouve sur le dessus. Installez la cartouche en vous assurant que l'ergot est parfaitement engagé dans la rainure du corps en laiton (reportez-vous à l'étape B). Faites glisser l'écrou à portée sphérique (3) sur la cartouche et vissez-le sur le corps. Serrez à la main fermement.

## 3

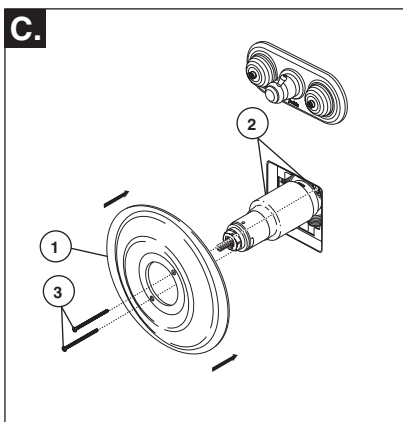
### Installation des pièces de finition



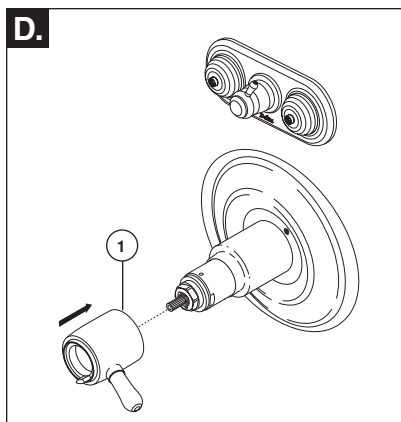
Faites glisser le joint torique (1) sur la cartouche et l'écrou à portée sphérique (2). Le joint sert de pièce d'espacement et il stabilise le manchon; il doit se trouver derrière l'écrou à portée sphérique.



Faites glisser le manchon (1) sur la cartouche, le corps et le joint torique.



Fixez la rosace (1) sur le support (2) à l'aide des 2 vis fournies (3). Prenez garde de serrer les vis de la rosace excessivement.

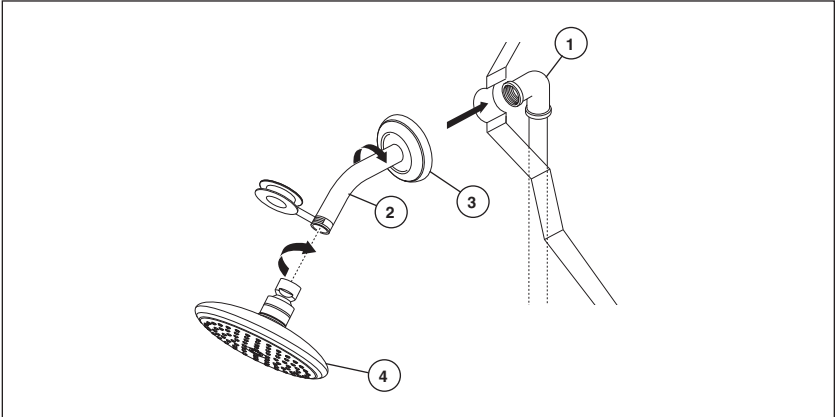


Installez la manette de réglage de débit (1) de manière qu'elle pointe vers la droite, puis placez-la en position d'ouverture. **NE LA FIXEZ PAS AVEC LA VIS.**



### 4

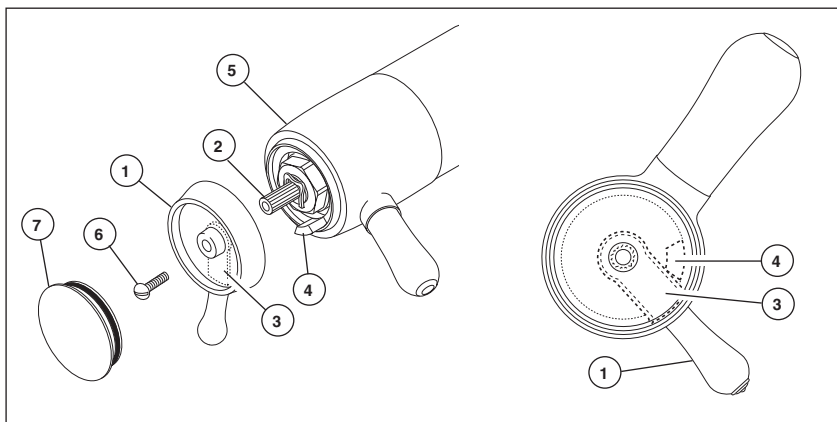
#### Installation de la pomme de douche



Raccordez la sortie supérieure (1) au tuyau d'alimentation de la pomme de douche (2) à l'aide des raccords appropriés. Pour éviter d'abîmer le fini du tuyau de la pomme de douche, introduisez le côté « mur » de celui-ci dans la collerette (3) avant de

le visser dans le raccord du tuyau vertical. Appliquez du ruban de Téflon® sur les filets. Vissez la pomme de douche (4) sur le tuyau. Appliquez du ruban de Téflon® sur les filets. Prenez garde de serrer la pomme de douche excessivement.

#### Installation et réglage du bouton de température



#### Réglez la butée limitatrice de température!

Rétablissez l'alimentation en eau. Laissez couler chaude jusqu'à ce qu'elle soit aussi chaude que possible et faites de même pour l'eau froide. Placez un thermomètre dans un gobelet en plastique et tenez le gobelet sous le jet d'eau. Placez le bouton de température (1) sur les cannelures (2), tournez ensuite le bouton de température jusqu'à ce que vous atteigniez la température maximale désirée à la sortie (la température de l'eau ne doit pas

dépasser 120 degrés ou la valeur autorisée par les codes de plomberie de votre localité). Enlevez le bouton de température et replacez-le sur les cannelures (2) en vous assurant que la butée limitatrice de température (3) s'appuie contre la butée de la manette de débit (4) comme le montre la figure. Fixez la manette de débit au moyen de la vis de calage (5). Fixez le bouton de température à l'aide de la vis (6) et placez le capuchon (7) sur le bouton.

## Instructions de nettoyage

Care should be given to the cleaning of this product. Although its finish is extremely durable, it can be damaged by harsh abrasives or polish. To clean, simply wipe gently with a damp cloth and blot dry with a soft towel.

## Maintenance – Série 18

### **Seul un filet d'eau s'écoule du robinet :**

Les tuyaux d'eau chaude et d'eau froide doivent être mis sous pression. Si un seul tuyau est sous pression, le dispositif d'équilibrage de pression ne fournit pas le débit d'eau requis.

### **La poignée de réglage de débit tourne sur 360 degrés ou n'est pas placée correctement par rapport à la rosace (le manchon est aussi desserré):**

Les clavettes de la cartouche sont mal placées dans les rainures du corps en laiton ou les clavettes ont été cisailées en raison d'une mauvaise installation. CORRIGEZ LA SITUATION IMMEDIATEMENT.

### **L'eau qui s'écoule n'est pas assez chaude.**

Consultez à l'étape 3C, ou vérifiez le réglage de température du chauffe-eau.

### **Le robinet fuit par le bec ou la pomme**

**de douche:** COUPEZ L'EAU. Remplacez les sièges, les ressorts et le joint à quatre lobes (1) (kit de réparation RP46073).

### **Si la fuite persiste: COUPEZ L'EAU.**

Remplacez la cartouche (kit RP46463) (2).

### **La température n'est pas maintenue constante:**

COUPEZ L'EAU. Retirez la cartouche et secouez-la de côté. Le tiroir doit faire un bruit de cliquetis dans le manchon. Si vous n'entendez pas de cliquetis, le tiroir peut être coincé. Pour le décoincer, frappez la cartouche de côté dans la paume de la main. Si le tiroir ne peut être décoincé, remplacez la cartouche kit de réparation RP46463 (2).

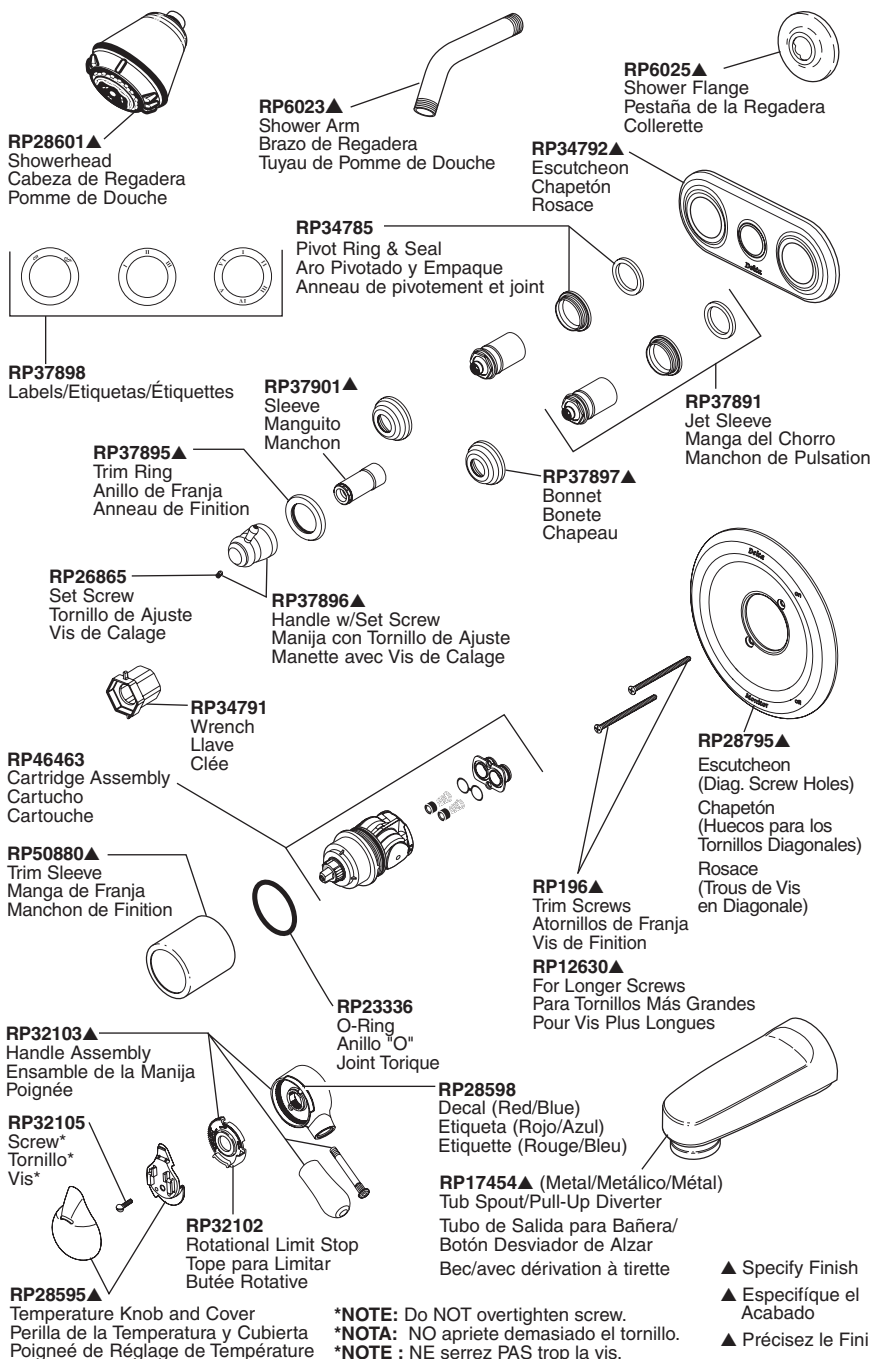
**NOTE :** Si l'eau est dure et renferme du calcaire, du fer, du sable ou d'autres substances du même genre, le robinet doit faire l'objet d'inspections périodiques. La fréquence des inspections dépend de la dureté de l'eau. Pour inspecter la cartouche, déposez-la du corps du robinet et secouez-la vigoureusement. Si des cliquetis se font entendre, la cartouche est en bon état et peut être reposée correctement. Si la cartouche ne produit pas de cliquetis, remplacez-la kit de réparation RP46463.

## Maintenance – Série 18T

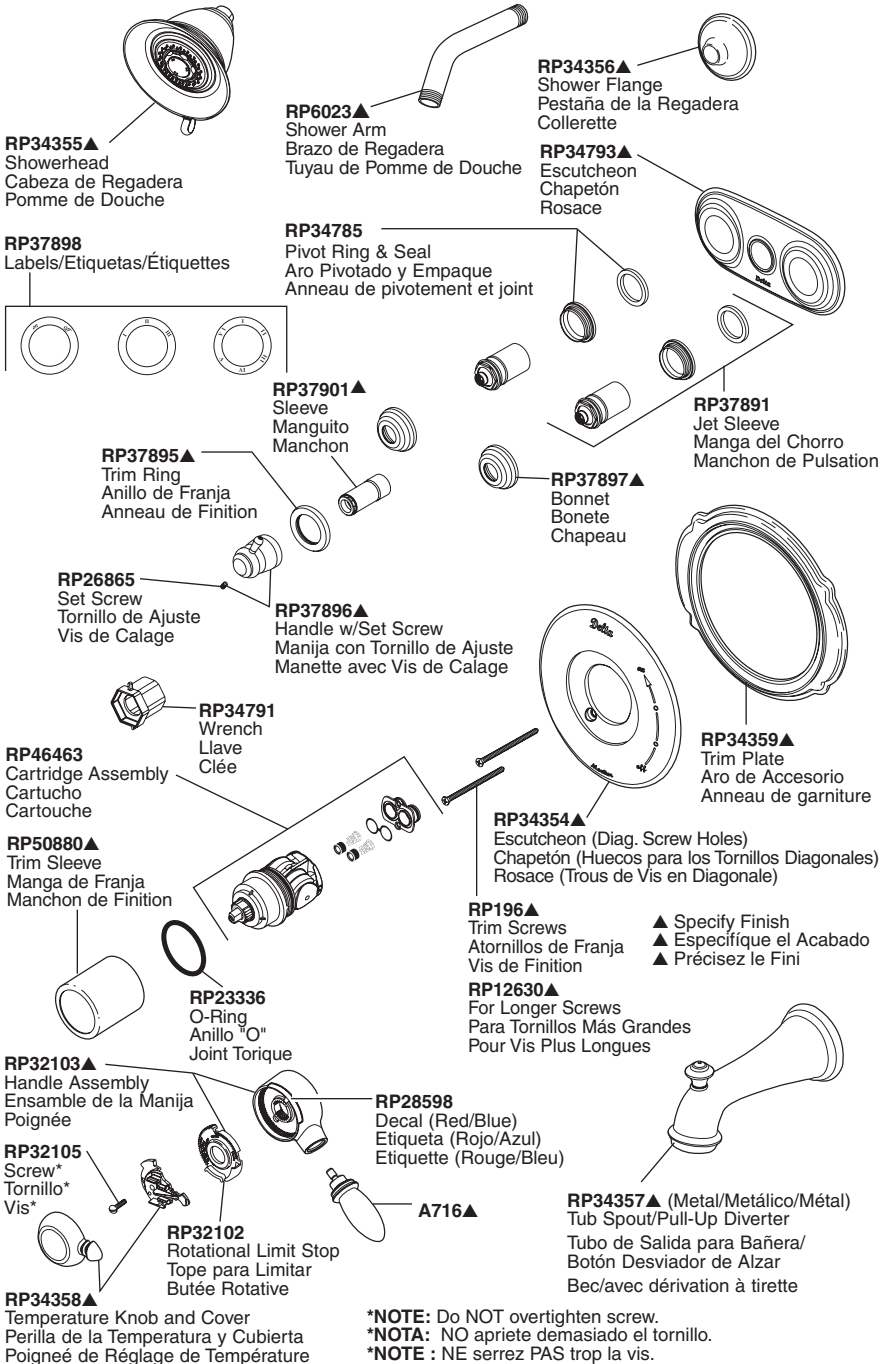
### **Le robinet fuit par le bec de baignoire ou la pomme de douche :**

INTERROMPEZ L'ALIMENTATION EN EAU. Remplacez la cartouche – Kit de réparation RP47201.

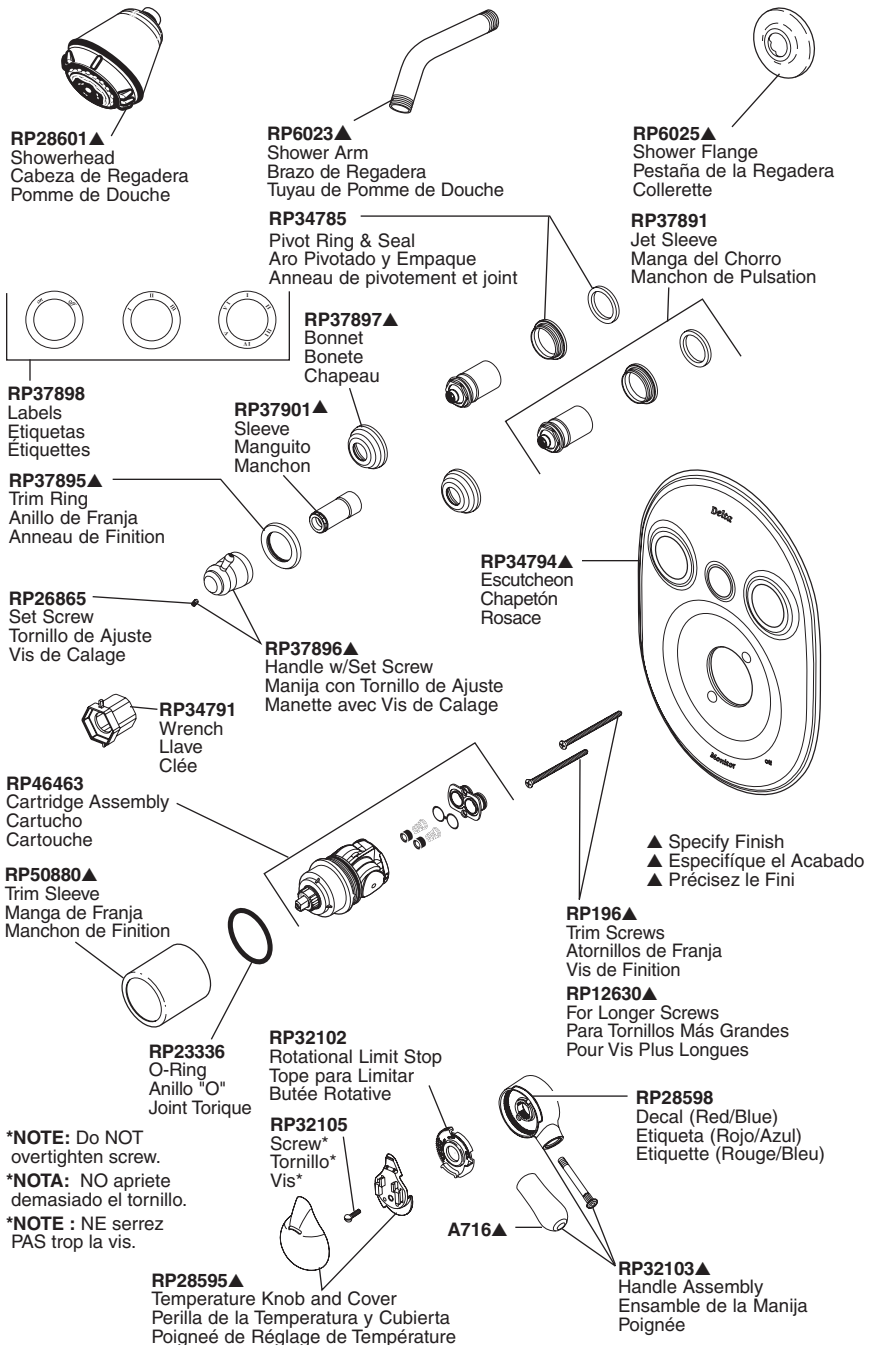
# T18430 Models / Modelos / Modèles



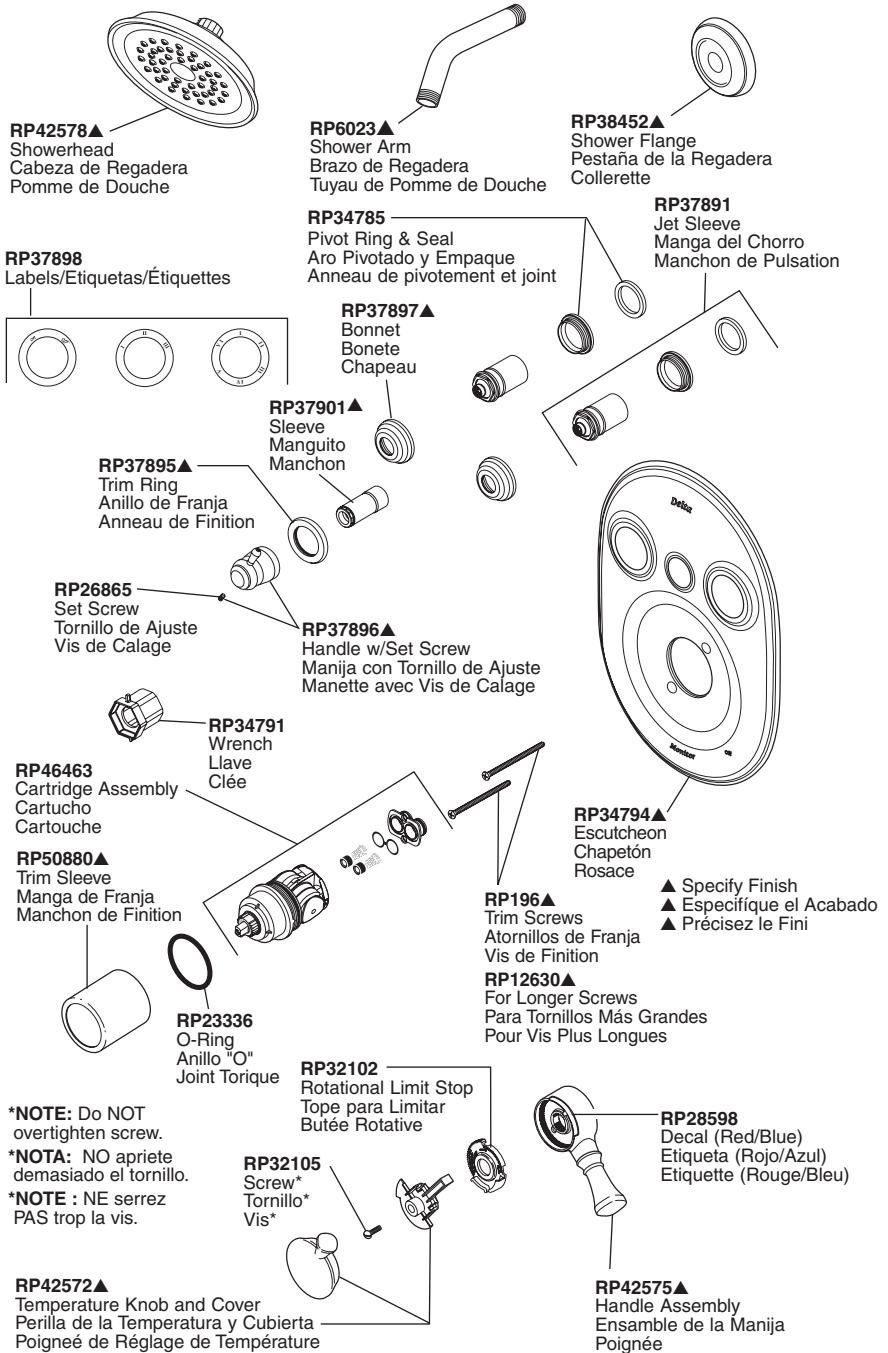
# T18455 Models / Modelos / Modèles



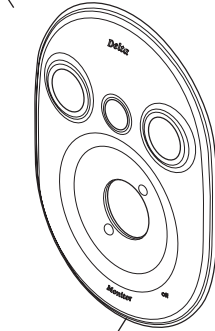
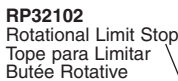
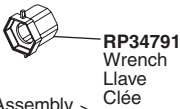
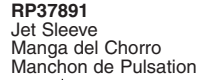
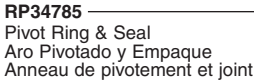
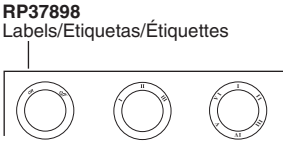
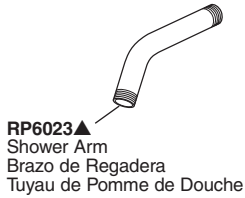
# T18230 Models / Modelos / Modèles



# T18240 Models / Modelos / Modèles



# T18255 Models / Modelos / Modèles

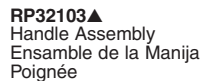
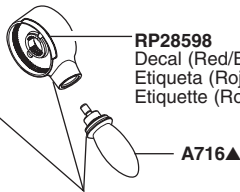


▲ Specify Finish  
▲ Especificque el Acabado  
▲ Précisez le Fini

\*NOTE: Do NOT overtighten screw.

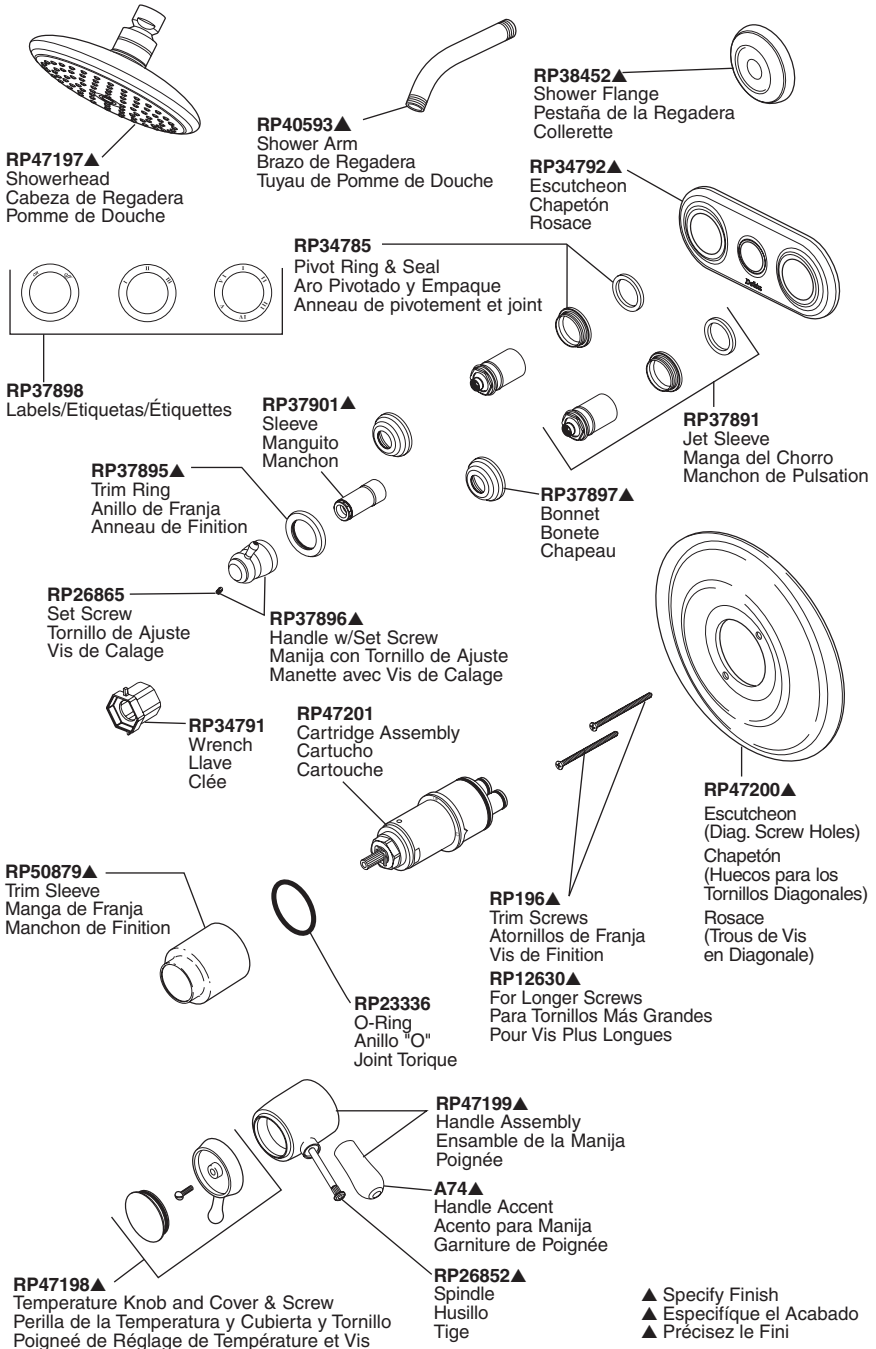
\*NOTA: NO apriete demasiado el tornillo.

\*NOTE: NE serrez PAS trop la vis.

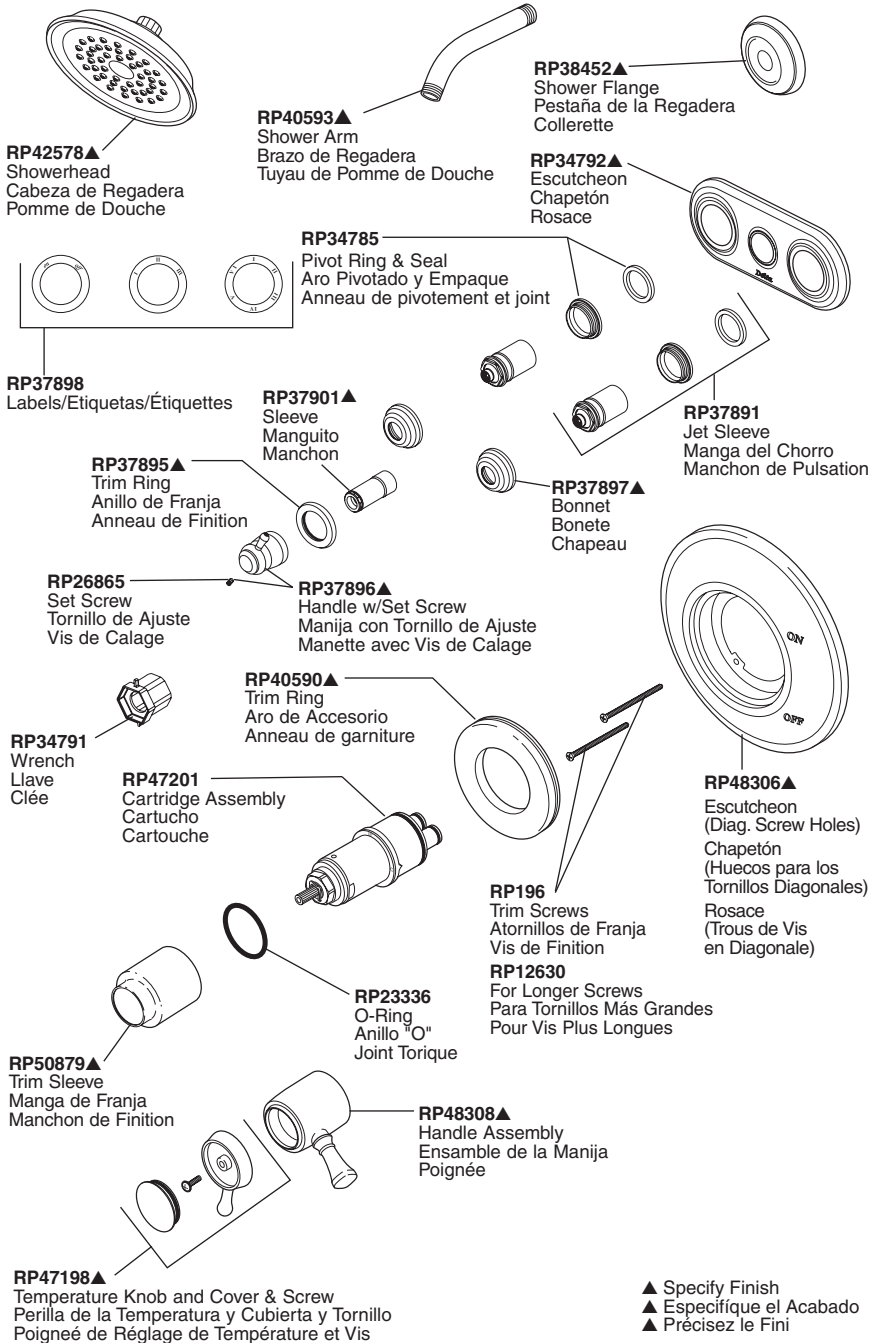




# T18T230 Models / Modelos / Modèles

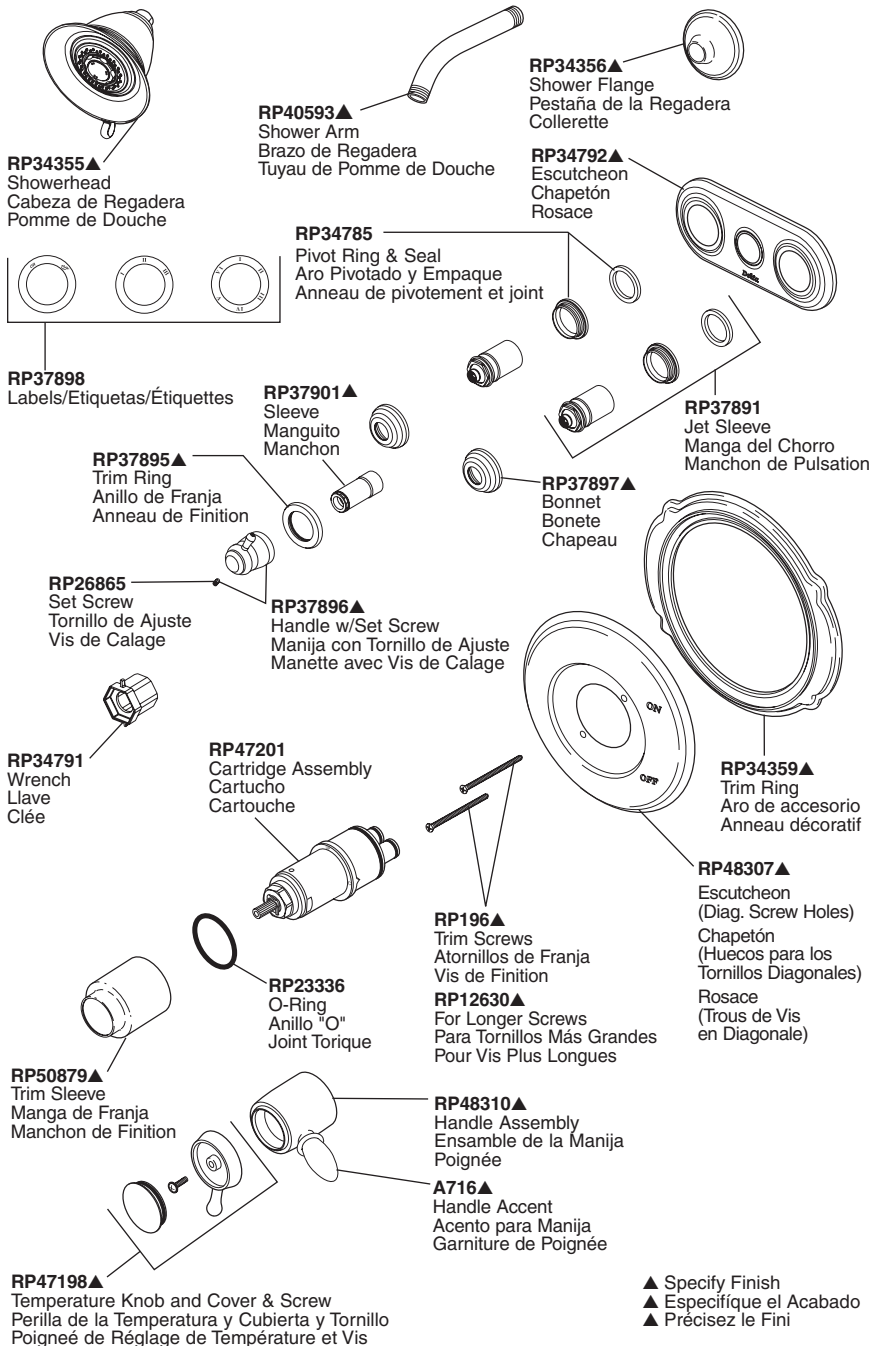


# T18T240 Models / Modelos / Modèles



▲ Specify Finish  
▲ Especifico el Acabado  
▲ Précisez le Fini

# T18T255 Models / Modelos / Modèles



**Notes / Notas / Notes**

**Notes / Notas / Notes**



Delta Faucet Company  
Product Service  
55 E. 111th Street  
Indianapolis, IN 46280

## Free Manuals Download Website

<http://myh66.com>

<http://usermanuals.us>

<http://www.somanuals.com>

<http://www.4manuals.cc>

<http://www.manual-lib.com>

<http://www.404manual.com>

<http://www.luxmanual.com>

<http://aubethermostatmanual.com>

Golf course search by state

<http://golfingnear.com>

Email search by domain

<http://emailbydomain.com>

Auto manuals search

<http://auto.somanuals.com>

TV manuals search

<http://tv.somanuals.com>