

Ice Cream Maker

2 Qt

deni®

BONUS

Includes Ice Cream
Recipes for Delicious
Desserts

Models #5220, 5221, 5222,
5225, 5226

IMPORTANT

Please keep these instructions
and your original box
packaging.



INSTRUCTIONS
FOR PROPER USE AND CARE

Ice Cream Maker

IMPORTANT SAFEGUARDS

When using this electrical appliance, safety precautions should always be observed, including the following:

- Read all of the instructions.
- Do not let the cord hang over the edge of the work space or touch any hot surfaces.
- Place the ice cream maker securely in the center of the counter or work space.
- Close adult supervision must be provided when this appliance is used by or near children.
- Avoid any contact with moving parts. Fingers, hair, clothing, etc. should be kept away during operation.
- Using attachments not recommended or sold by Deni/Keystone Manufacturing Co., Inc. may cause hazards.
- Do not operate with a damaged cord. Return the ice cream maker to a repair center or have it repaired by a licensed electrician.
- Always unplug before cleaning and removing parts.
- For indoor use only.
- Do not place near hot gas or electric burner.
- Keep utensils out of the canister while in use to reduce the risk of harm to persons or to the ice cream maker.

SHARP OR METAL UTENSILS OR OBJECTS SHOULD NOT BE USED ON THE INSIDE OF THE CANISTER.

They can scratch or damage it. Rubber or wooden utensils may be used when the ice cream maker is off.

- Do not clean with metal scrubbing pads. Pieces can break off the pad and short-circuit electrical parts, creating a possibility of an electrical shock.
- To protect against electrical shock, do not immerse plug, cord or motor top in water or any other liquid.
- Do not use an extension cord with this ice cream maker. However, if one is used, it must have a rating equal to or exceeding the rating of this appliance.
- This ice cream maker is for household use only.
- This ice cream maker should not be used for other than the intended use.
- The Deni® Ice cream maker has a polarized plug (one blade is wider than the other). This plug will fit in a polarized outlet only one way, as a safety feature. Reverse the plug if the plug does not fit fully in the outlet. Contact a qualified electrician if it still does not fit. Do not attempt to defeat this safety feature.

SAVE THESE INSTRUCTIONS

FEATURES

Your new Deni Ice Cream Maker allows you to create a variety of frozen treats: many ice cream flavors, sorbets, sherbet, frozen yogurt, margaritas, even your favorite frozen drink in your canister! The following features come with your Deni Ice Cream Maker:

The following features come with your Deni Ice Cream Maker:

- **Clear-Vue Lid**

You can easily add ingredients through the opening in the lid without turning the machine off.

- **Canister**

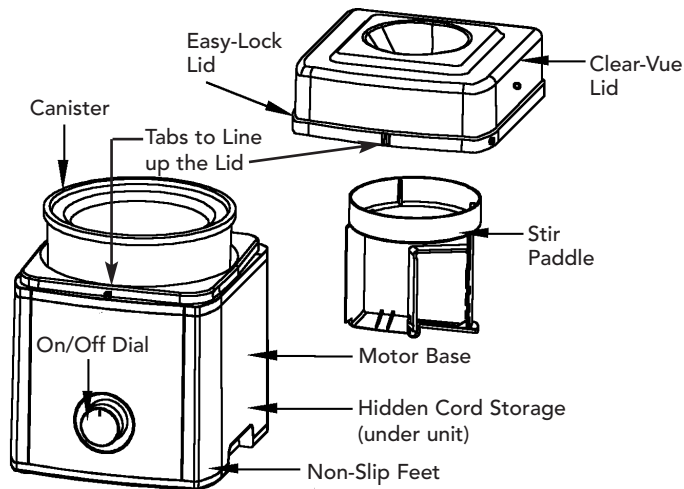
Thorough and even freezing is provided by the liquid inside the walls. The double insulated walls keep the cylinder bowl cold longer, for best freezing results.

- **Motor Base**

The 50 watt, high performance motor base requires minimal counter space. Anti-slip rubber feet keep the ice cream maker in place during use.

- **Hidden Cord Storage**

Adjusts to needed length and keeps countertops neat by keeping excess cord out of the way.



Ice Cream Maker

BEFORE FIRST USE

1. Remove all packing materials and literature.
2. Wash the canister, lid and stir paddle in warm soapy water. Rinse and dry all parts thoroughly. **NEVER** immerse motor in water or any other liquid. **NEVER** clean any parts in a dishwasher.

FREEZING THE CANISTER

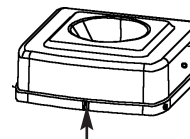
- Before making frozen desserts, it is very important that the canister be properly frozen. The ice cream maker features a double insulated bowl that requires thorough freezing. We recommend placing the canister upright in the back (coldest part) of your freezer.
- Make sure the canister is washed and thoroughly dried. For best results, wrap canister in a plastic bag and place in the freezer.
- The length of time necessary to properly freeze the canister depends on the temperature in your freezer. **Freezing is approximately 8-24 hours depending on how cold your freezer is (ie. -22°F freeze for 8 hours and 0°F freeze for 24 hours), depending on freezer temperatures ranging from -30°C/-22°F to -17°C/+0°F.**
- Shake the canister to ensure a properly frozen

bowl. The canister should have no liquid moving inside. If you hear liquid, it is not frozen.

- Keep your canister in the freezer when not in use so you can create frozen desserts anytime. If you hear liquid, it is not frozen.

HOW TO OPERATE

1. Place canister in the freezer for 8-24 hours, (see Freezing the Canister on this page).
2. Follow the recipes in our instruction booklet. Almost any frozen dessert recipe can be used providing it does not make more than 6 cups of liquid. 6 cups will make 2 quarts of ice cream.
3. Prepare the ingredients (see pages 7-15).
4. Take the canister out of freezer and place on motor base. **The canister should be used immediately after removal from freezer because it will begin to thaw once placed in room temperature.**
5. Place the paddle inside the canister. Be sure the round side of the stir paddle faces up (photo on pg. 2).
6. Lock the lid onto the motor base. The tabs on the bottom of the lid should line up with the indentations in the motor base. This ensures that the lid is locked into place. When



placing the lid on the motor base, the stir paddle should fit into the lid.

7. Turn the On/Off dial to the right (on position). **It is important to turn the unit on first before pouring in the mixture. The canister rotates while the stir paddle remains stationary.**

NOTE: The Ice Cream Maker is equipped with a safety feature that automatically stops the unit if the motor overheats. This may occur if there is too much liquid in the unit, the unit has been running too long, or if added ingredients (nuts, etc.) are too large. To reset the unit, turn the ON/OFF switch to the OFF position. Let the unit cool off. After a few minutes, you may turn the unit on again and continue making the dessert or drink.

8. Slowly pour the mixture in the top opening of the lid. **NOTE: Do not fill the canister higher than 1/2 inch from the top. It is at this time that you leave the machine on for about 20 minutes (time varies, depending on the coldness of the ingredients and/or canister), or until mixture becomes the desired thickness. If making ice cream, your result should be a soft, custard-like ice cream.**

NOTE: Continually check the ice cream mixture while the unit is on.

9. When the frozen dessert is ready, make sure the unit is off. Remove the lid and the mixture from the bowl with a plastic spoon or plastic scoop. **Do not use metal utensils or metal objects in the canister.**
10. Ice cream will be a custard like ice cream. If you prefer hard ice cream, place ice cream in an air tight container, then place in the freezer and allow it to set until it reaches your desired hardness. It is recommended to remove the frozen dessert from canister and place in an airtight, freezer safe container. If the frozen dessert is left in the canister in the freezer, **it should only be for a short period of time (less than 30 minutes) or the frozen dessert will freeze to the canister and possibly damage the canister.**

Ice Cream Maker

TROUBLESHOOTING

- **ICE CREAM DID NOT BECOME A SOFT CUSTARD.** The canister must be frozen properly. Check the temperature in your freezer. If it is higher than -17°C / 0°F lower it. If you cannot lower the freezer temperature, the ingredients should be as cold as possible. Put mixture in the freezer for 1 hour until the mix starts to crystallize. Then pour mixture into ice cream maker.
- **UNIT STARTED AND THEN STOPPED.** Take the canister off of the motor base and turn on the unit. If it works, the unit wasn't turned on before adding the mix. Pour mix into the canister **AFTER** the unit is turned on.
- **THE PADDLE ISN'T TURNING.** Only the canister turns. The paddle should remain stationary.

CLEANING INSTRUCTIONS

- Clean the canister, paddle and lid with warm soapy water.
- Use a damp cloth to clean the motor base.
- Never immerse the motor unit, plug or cord in water or in any other liquid.

- Never place the canister in freezer if it is still wet.
- Make sure all parts are dried thoroughly.
- Never store plastic parts in freezer.

HINTS AND TIPS

- Read all the instructions and save for future reference.
- Cool all cooked recipes in the refrigerator before using.
- Flavors will be stronger before freezing.
- For better results, drain your yogurt.
- For best results, chill nuts, fruits, alcohol, and garnishes before adding to the frozen treat. Generally these products are added at the end of the freeze cycle.
- **For pre-cooked recipes, make the mixture one day before. This will allow it to cool completely and increase in volume. Chilling recipes will produce better results.**
- Recipes that do not require cooking are best made with an electric mixer to increase the mixture's volume.
- Cream, sugar, eggs, and milk are the most common ingredients in ice cream. Substitutions with similar ingredients may be used depending upon your preference. For example, any type of cream can be used, however, there will be a difference in color, texture and flavor. The richer the cream you use, the richer the results. Heavy cream contains about 36% fat, which is the richest. Whipping cream, coffee (light) cream and half-and-half contain approximately 30%, 18%, and 10% fat respectively.
- 2 oz. of egg substitute is equivalent to one egg.
- When using or adding eggs or egg substitute in any of

our recipes, we recommend heating/cooking the recipe mixture.

- Artificial sweeteners can be used in place of sugar; however, they should be added when the mixture is cool, at most, room temperature. If sugar is dissolved by heat in a recipe, omit this process when using a sugar substitute. Instead, add sweetener into the mixture until it is thoroughly dissolved.
- Adding one small egg white will volumize most mixes.
- If a recipe calls for alcohol, add it last, about one to three minutes before the end of the freezing process. Otherwise, the alcohol may stop the freezing process.
- The taste of sorbets is largely affected by the ripeness and sweetness of fruit or juice. For tart fruit, add sugar or omit sugar if fruit is very ripe. Once frozen, the sorbet or other frozen desserts will taste less sweet than the mixture.
- Long-term storage of homemade ice cream in the freezer should be done in airtight freezer-safe containers.
- Ice cream and other frozen dessert mixtures stay fresh in the refrigerator for several days. However, they should be mixed well minutes before being added to the canister.
- Mixture will increase in volume during the freezing process; therefore, pour no more than 6 cups mixture into the canister.

Ice Cream Maker

FROZEN DESSERT RECIPES

The following recipes are for 2 qts.

Note: 1.5 quart of liquid makes 2 qts. of frozen dessert.

TIP: Use the "Basic Vanilla Ice Cream" recipe as a base for creating your own favorite ice cream flavors. As an example, to make a fruit ice cream, decrease the cream or milk by one cup and add one cup of pureed fruit to the basic vanilla ice cream recipe.

NOTE: The ice cream's texture and taste may change depending on how rich of a cream you use.

Basic Vanilla Ice Cream

Ingredients:

- 6 oz. egg substitute
- 1½ cup of sugar
- 1½ cup half and half (or milk)
- 3 cups heavy cream
- 2 tsp. vanilla

Method:

1. Combine eggs, sugar, and vanilla in a mixing bowl, processor, or a blender.
2. Add cream and half and half (or milk).
3. Mix well and chill thoroughly.
4. Follow standard instructions on pg. 3.

Banana Orange Frozen Yogurt

Ingredients:

- 3 cups vanilla yogurt
- 1½ cup orange juice
- 1½ cup mashed banana
- ½ cup milk
- ½ cup light corn syrup

Method:

1. In a mixing bowl, combine all ingredients and mix well.
2. Follow standard instructions on pg. 3.

Blackberry Sorbet

Ingredients:

- 4½ cups fresh blackberries
- ¾ cup water
- 1 cup sugar
- ¾ cup orange juice
- 3 (large) egg whites

Method:

1. Over medium heat, in a saucepan, combine blackberries with water and sugar.
2. Stir until sugar is dissolved.
3. Puree, then chill thoroughly.
4. Beat egg whites until soft peaks form.
5. Add orange juice to the blackberries.
6. Whisk in egg whites.
7. Follow standard instructions on pg. 3.

Chocolate Frozen Yogurt

Ingredients:

- 3½ cups plain or vanilla flavored yogurt
- 1½ cup sour cream
- ⅓ cup light corn syrup
- 1¼ cup sugar
- ¾. 1 cup baking cocoa (to taste)

Method:

1. Combine all ingredients in a mixing bowl and beat well.
2. Chill thoroughly.
3. Follow standard instructions on pg. 3.

Chocolate Chip Frozen Yogurt

Ingredients:

- 3½ cups plain or vanilla flavored yogurt
- 1½ cups sour cream
- ⅓ cup light corn syrup
- 1¼ cup sugar
- 1½ tsp. vanilla
- 1½ cups mini chocolate chips

Method:

1. Combine first five ingredients in a mixing bowl and beat well.
2. Chill thoroughly.
3. Follow standard instructions on pg. 3.
4. Fold in chocolate chips at end of freezing process.

Chocolate Ice Cream

Ingredients:

- 3½ cups of heavy cream
- 1½ cup half and half or milk
- 1½ cup sugar
- 6 oz. egg substitute
- 2 teaspoon vanilla
- ¾. 1 cup baking cocoa (for taste)

Method:

1. Combine all ingredients in a mixing bowl.
2. Beat well.
3. Chill thoroughly.
4. Follow standard instructions on pg. 3.

Egg substitutes can be added to a mix without cooking, for those who are concerned about eggs. You may also eliminate the eggs. If any recipes in this book are to be used by diabetics or persons with other dietary concerns, please consult your doctor before using.

Ice Cream Maker

Chocolate Peanut Butter Ice Cream

Ingredients:

- 1½ cup of heavy cream
- 1½ cup half and half or milk
- 1½ cup sugar
- 6 oz. egg substitute
- 2 teaspoon vanilla
- ¾ - 1 cup baking cocoa (for taste)
- 1½ cup peanut butter

Method:

1. Combine cocoa and sugar in a mixing bowl, processor, or blender and mix.
2. Blend in peanut butter and eggs.
3. Add cream, half and half and vanilla.
4. Beat well and chill thoroughly.
5. Follow standard instructions on pg. 3.

Espresso Ice

Ingredients:

- 4½ tbsp. instant espresso or 6 tbsp. regular instant coffee powder
- 5½ cups boiling water
- 1½ tbsp. vanilla extract
- 1¼ cup sugar

Method:

1. Dissolve coffee in boiling water.
2. Stir sugar into coffee until dissolved.
3. Stir in vanilla extract.
4. Chill thoroughly.
5. Follow standard instructions on pg. 3.
6. Serve with a dollop of whipped cream and a sprinkle of cocoa.

Fat Free Peach Ice Cream

Ingredients:

- 2¼ cups evaporated skim milk
- 1½ cup pureed ripe peaches
- 2¼ tsp. plain gelatin
- 6 oz. egg substitute
- 8 oz. fat-free cream cheese
- 1½ tsp. vanilla
- 1½ cup sugar
- ¾ tsp. cinnamon
- ½ tsp. ground all spice
- ½ tsp. ground cloves
- ½ tsp. grated nutmeg

Method:

1. To soften gelatin, place milk in a small saucepan and sprinkle the gelatin over the surface. Allow 3 minutes for gelatin to absorb into the mixture, warm the milk and stir the mixture to completely dissolve.
2. Combine remaining ingredients in a blender or food processor. Mix well. Add the milk/gelatin and continue processing to ensure proper mixing.
3. Chill thoroughly and follow standard instructions on pg. 3.

Fat Free Chocolate Ice Cream

Ingredients:

- 4½ cups evaporated skim milk
- 1½ tsp. vanilla extract
- 2¼ tsp. plain gelatin
- 1½ cup sugar
- 6 oz. egg substitute
- ¾ to 1 cup baking cocoa (to taste)

Note: Combine cocoa and sugar before adding to recipe to facilitate easy mixing of the cocoa.

Method:

1. To soften gelatin, place 2¼ cups of milk in a small saucepan and sprinkle the gelatin over the surface. Allow 3 minutes for gelatin to absorb into the mixture, warm the milk and stir the mixture to completely dissolve.
2. Combine remaining ingredients in a blender or food processor. Mix well. Add the milk/gelatin and continue processing to ensure proper mixing.
3. Chill thoroughly.
4. Follow standard instructions on pg. 3.

Fat Free Pineapple Frozen Yogurt

Ingredients:

- 1¼ cup evaporated skim milk
- 6 tbsp. pineapple juice
- 2¼ tsp. plain gelatin
- 6 oz. egg substitute
- 3¾ cup vanilla fat-free yogurt
- 1½ tbsp. orange zest
- 1½ cup sugar
- dash salt

Method:

1. To dissolve gelatin, place 1¼ cup of milk in a small saucepan and sprinkle the gelatin over the surface. Allow 3 minutes for gelatin to absorb into the mixture, warm the milk and stir the mixture completely to dissolve.
2. Combine remaining ingredients in a blender or food processor. Mix well. Add the milk/gelatin and continue processing to ensure proper mixing.
3. Chill thoroughly.
4. Follow standard instructions on pg. 3.

French Chocolate Mint Ice Cream

Ingredients:

- 4 (large) egg yolks
- 1½ cup sugar
- ½ cup cocoa
- 1½ cups milk
- 3 cups cream
- 1½ tsp. vanilla
- 2¼ tbsp. mint extract

Method:

1. Beat milk and egg yolks together.
2. Blend in sugar.
3. In a saucepan, cook over medium heat, stirring constantly, until thick enough to coat the spoon.
4. Remove from heat and gently sift cocoa and add mint into the mixture.
5. Beat well until blended.
6. Cool, then add cream and vanilla.
7. Mix well and refrigerate overnight.
8. Follow standard instructions on pg. 3.

Ice Cream Maker

French Vanilla Ice Cream

Ingredients:

- 4 (large) eggs
- 1½ cup of sugar
- 2¼ cups milk
- 3 cups cream
- 3 tsp. vanilla

Method:

1. Beat eggs and milk together in a large saucepan.
2. Add sugar and cook over low heat, stirring constantly until thickened (approx. 10 minutes).
3. Mixture should coat the spoon.
4. Cool, then add cream and vanilla.
5. Mix well and refrigerate overnight.
6. Follow standard instructions on pg. 3.

Frozen Margaritas

Ingredients:

- 3½ cups of water
- ¾ cup lime juice
- 1¼ cup triple sec
- 1 cup tequila

Method:

1. Combine first two ingredients.
2. Follow standard instructions on pg. 3.
3. When complete, add triple sec and tequila and serve.

Frozen Pina Colada

Ingredients:

- 1 8-oz can cream of coconut
- 2 ½ cups sweetened pineapple juice
- ½ cup dark rum

Method:

1. Combine first two ingredients.
2. Follow standard instructions on pg. 3.
3. When complete, add rum and serve.

Fruit Sorbet

Ingredients:

- 4½ cups fruit (such as strawberries, raspberries, blueberries or fresh pineapple)
- ¾ cup sugar
- 1½ cup water

Method:

1. Combine ingredients in a processor to puree the fruit.
2. Follow standard instructions on pg. 3.

Lemon Ice

Ingredients:

- 1 12-oz. can frozen lemonade concentrate
- 3 cups of water
- 1½ cups of sugar

Method:

1. Combine water and sugar in a small saucepan. Simmer to dissolve sugar, cool.
2. Mix ingredients in a mixing bowl, processor, or blender.
3. Follow standard instructions on pg. 3.

Lemon Sherbet

Ingredients:

- 1½ cup frozen lemonade concentrate
- 4½ cups milk
- ¾ cup sugar
- 3 tbsp. grated lemon rind
- 1 (large) egg white

Method:

1. Combine all ingredients and stir until sugar dissolves & mixture appears curdled.
2. Follow standard instructions on page 3.

Ice Cream Sandwiches

Ingredients:

Pre-baked cookies — 2 per sandwich, select large 2½ to 3" diameter, soft texture cookies work best. Freeze cookies before filling.

Filling — Prepare ice cream of choice. Firm up in freezer before assembling sandwiches.

Assembling

Spread about ½" thick layer of ice cream on one cookie. Top with a second cookie. If desired, roll the sandwiches in toasted coconut or sprinkles.

Storage

Individually wrap frozen cookies and freeze.

Ice Cream Maker

Low Fat Non-Dairy Mango Freeze

Ingredients:

- 4½ cups non-dairy creamer
- 6 oz. egg substitute
- 2¼ tsp. plain gelatin
- 2¼ cups very ripe mango puree
- 1¼ cup sugar
- 1½ tsp. vanilla

Method:

1. In a small saucepan, sprinkle the gelatin over 2¼ cups of non-dairy creamer. Warm the mixture (do not allow to boil) to dissolve the gelatin, stirring if necessary.
2. Add remaining ingredients and mix well in a blender or food processor.
3. Chill thoroughly.
4. Follow standard instructions on pg. 3.

Low Fat Non-Dairy Strawberry Freeze

Ingredients:

- 4½ cups non-dairy creamer
- 6 oz. egg substitute
- 2¼ tsp. plain gelatin
- 2¼ cups pureed strawberries
- 1¼ cup sugar
- 1½ tsp. vanilla

Method:

1. In a small saucepan, sprinkle the gelatin over 2¼ cups of non-dairy creamer. Warm the mixture (do not allow to boil) to dissolve the gelatin, stirring if necessary.
2. Add remaining ingredients and mix well in a blender or food processor.
3. Chill thoroughly.
4. Follow standard instructions on pg. 3.

Pina Colada Sherbet

Ingredients:

- 1½ cups milk
- 1 cup crushed pineapple
- 2 tbsp. non-fat dry milk
- 2 tbsp. dark rum
- 1 cup coconut milk
- dash salt
- 1 can (10 oz.) piña colada mix, partially defrosted

Method:

1. In a blender or food processor, combine ingredients until milk is dissolved.
2. Cover and chill thoroughly.
3. Follow standard instructions on pg. 3.

Pineapple Ice

Ingredients:

- 12 oz. can frozen pineapple concentrate
- 3 cups water
- 1 cup of sugar

Method:

1. Combine sugar and water in a small saucepan. Simmer to dissolve the sugar. Cool.
2. Mix all ingredients in a mixing bowl, blender or food processor.
3. Follow standard instructions on pg. 3.

Pistachio Ice Cream

Ingredients:

- 1 cup unsalted, shelled pistachios
- 4 oz egg substitute
- 1¼ cup sugar
- 3 cups whipping cream
- 1½ cup milk
- ¾ tsp. almond extract
- 1½ tsp. vanilla extract

Method:

1. In a blender or processor, combine nuts, egg and milk.
2. Blend until nuts are finely chopped.
3. Mix in remaining ingredients.
4. Follow standard instructions on pg. 3.

Variation:

1. Substitute pecans or walnuts for pistachios.
2. Substitute 1 cup maple syrup for sugar.

Raspberry Ice Cream

Ingredients:

- 3½ cups heavy cream
- 1½ cup half and half or milk
- 1½ cup sugar
- 6 oz. egg substitute
- 1½ tsp. vanilla
- 1½ cup raspberry puree'

Method:

1. Combine eggs, sugar, and vanilla in a mixing bowl and beat well.
 2. Beat in raspberry puree'.
 3. Add cream and half and half (or milk).
 4. Beat well and chill thoroughly.
 5. Follow standard instructions on pg. 3.
- NOTE: Strawberries, blueberries or black berries can substitute for raspberries.*

Ice Cream Maker

Strawberry Cheesecake Ice Cream

Ingredients:

- ½ cup half & half (or milk)
- 8 oz. cream cheese
- 2 cups heavy cream
- 1½ tsp. vanilla
- 4 oz. egg substitute
- ¾ -1 cup pureed strawberries
- 1 cup sugar

Method:

1. Beat eggs and sugar in a mixer, blender or processor until thick and cream colored.
2. Add milk, cream, vanilla and cream cheese. Mix thoroughly.
3. Add strawberries and mix well.
4. Follow standard instructions on pg. 3.

Sugar Free Black Walnut Ice Cream

Ingredients:

- 3 cups heavy cream
- dash salt
- 1½ cup half & half
- 6 oz. egg substitute
- 7½ tsp. sweetener (or to taste)
- 1½ tbsp. vanilla
- ¾ cup finely chopped black walnuts*
- ½ tsp. black walnut extract or 2-3 drops almond extract

Method:

1. Mix all ingredients in a food processor or blender, except for nuts.
 2. Mix thoroughly.
 3. Cover and chill thoroughly.
 4. Follow instructions on page 3.
 5. Add nuts at end of freezing process.
- * Toasted almonds, pecans, hazelnuts and macadamia nuts can be substituted.

Sugar Free Raspberry Sherbet

Ingredients:

- 2¼ cups milk
- 4½ cups raspberry puree
- ⅔ cup non-fat dry milk
- 3¾ tsp. artificial sweetener
- 2¼ tsp. plain gelatin
- 3 tbsp. triple sec or grand mariner or 1½ tbsp. orange zest + 4½ tbsp. orange juice

Method:

1. In a small saucepan, add milk, sprinkle gelatin over surface to soften. Warm slightly until gelatin is dissolved, stirring if necessary.
2. Add dry milk and mix thoroughly. Add remaining ingredients. Mix completely.
3. Chill thoroughly.
4. Follow standard instructions on pg. 3.

Note: Because of the addition of the alcohol, it is necessary to be sure the mix is well chilled before placing in the ice cream maker, and freezing canister is as close to -20°F as possible.

CUSTOMER SERVICE

If you have any questions or problems regarding the operation of your Deni Ice Cream Maker, call our customer service department toll free:

Monday through Friday
8:30 a.m. to 5:00 p.m.
(Eastern Standard Time)
1-800-DENI-822

Deni by Keystone Manufacturing Company, Inc.®

ONE-YEAR LIMITED WARRANTY

Your Deni Ice Cream Maker is warranted for one year from date of purchase or receipt against all defects in material and workmanship. Should your appliance prove defective within one year from date of purchase or receipt, return the unit, freight prepaid, along with an explanation of the claim. Please send to: Keystone Manufacturing Company, Inc. 800 Hertel Ave, Buffalo, NY 14207. (Please package your appliance carefully in its original box and packing material to avoid damage in transit. Keystone is not responsible for any damage caused to the appliance in return shipment.) Under this warranty, Keystone Manufacturing Company, Inc. undertakes to repair or replace any parts found to be defective.

This warranty is only valid if the appliance is used solely for household purposes in accordance with the instructions. This warranty is invalid if the unit is connected to an unsuitable electrical supply, or dismantled or interfered with in any way or damaged through misuse.

We ask that you kindly fill in the details on your warranty card and return it within one week from date of purchase or receipt.

This warranty gives you specific legal rights. You may also have other rights which vary from state/province to state/province.

2 pintes, entièrement
automatique Sorbetière

deni®

BONIFICATION
Inclut la crème glacée
Recettes pour les
desserts délicieux

Modèle #5220, 5221, 5222,
5225, 5226

IMPORTANT!

Conservez ces instructions et
l'emballage d'origine

www.deni.com



INSTRUCTIONS MODE D'UTILISATION ET D'ENTRETIEN

Ice Cream Maker

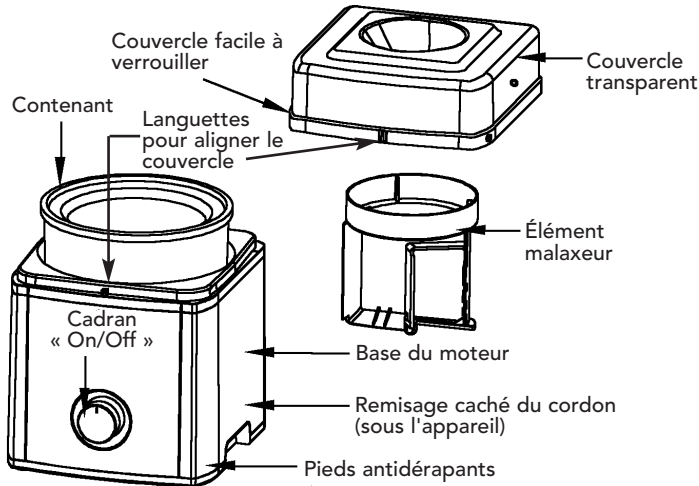
MISES EN GARDE IMPORTANTES

Lorsque vous utilisez cet appareil électrique, observez toujours les précautions de sécurité, y compris ce qui suit.

- Lisez toutes les instructions avant d'utiliser l'appareil.
- Ne laissez pas le cordon électrique pendre sur le bord de l'aire de travail ni toucher à des surfaces chaudes.
- Placez la sorbetière au centre du comptoir ou de l'aire de travail.
- Un adulte doit exercer une surveillance étroite quand cet appareil est employé par des enfants ou à proximité de ces derniers.
- Évitez tous les contacts avec les pièces mobiles. Les doigts, les cheveux, les vêtements, etc. doivent être tenus loin de l'appareil lorsqu'il est en marche.
- L'utilisation d'accessoires non recommandés ou vendus par Deni/Keystone Manufacturing Co. Inc. peut présenter des risques.
- N'utilisez pas l'appareil si le cordon d'alimentation est endommagé. Renvoyez la sorbetière à un centre de réparation ou faites-la réparer par un électricien autorisé.
- Débranchez toujours l'appareil avant de le nettoyer et d'en retirer des pièces.
- Utilisez l'appareil à l'intérieur seulement.
- Ne placez pas l'appareil près d'un brûleur à gaz ou électrique.
- Gardez les ustensiles hors du contenant pendant que l'appareil est en marche pour réduire les risques de blessures ou de dommages à la sorbetière.

- Il ne faut pas utiliser d'ustensiles acérés ni en métal dans le contenant pour ne pas le rayer ou l'endommager. Les ustensiles en caoutchouc ou en bois peuvent être utilisés quand la sorbetière est éteinte.
- Ne nettoyez pas l'appareil avec des tampons à récuser en métal. Des morceaux de métal peuvent se détacher du tampon et court-circuiter les pièces électriques, créant ainsi une possibilité de choc électrique.
- Pour vous protéger contre les chocs électriques, n'immergez pas la prise, le cordon d'alimentation ou le moteur dans l'eau ou dans un autre liquide.
- N'employez de rallonge électrique avec cette sorbetière. Mais si vous devez absolument en utiliser une, la rallonge doit avoir des valeurs nominales égales ou supérieures aux valeurs nominales de cet appareil.
- Cette sorbetière est réservée exclusivement aux applications domestiques.
- Cette sorbetière ne devrait pas être utilisée pour d'autres fins que l'usage pour lequel elle a été prévue.
- La sorbetière Deni® a une prise polarisée (l'une des lames est plus large que l'autre). Par mesure de sécurité, cette prise ne peut être insérée que d'une seule manière dans une prise électrique murale polarisée. Inversez la prise si celle-ci ne peut pas être insérée entièrement dans la prise murale à la première tentative. Consultez un électricien qualifié si vous ne pouvez toujours pas faire le branchement. N'essayez pas de contourner ce dispositif de sécurité.

CARACTÉRISTIQUES



Votre nouvelle sorbetière Deni vous permet de créer des gourmandises surgelées : plusieurs saveurs de crème glacée, des sorbets, des yogourts surgelés, des margaritas et même votre boisson congelée préférée en 20 minutes environ, selon la température du contenant !

Voici les caractéristiques de votre sorbetière Deni :

- **Couvercle transparent**

Vous pouvez facilement ajouter des ingrédients par l'ouverture pratiquée dans le couvercle sans arrêter l'appareil.

- **Contenant**

Congélation complète et uniforme du liquide qui se trouve entre les parois. La double paroi isolée conserve le contenant froid plus longtemps pour donner une meilleure congélation.

- **Base du moteur**

La base du moteur de 50 W à grand rendement ne prend que peu de place sur le comptoir. Les pieds en caoutchouc antidérapant gardent la sorbetière en place pendant qu'elle est utilisée.

- **Cordon d'alimentation électrique caché.**

Le cordon s'ajuste à la longueur nécessaire et il tient les dessus de comptoir dégagés en tenant le surplus de cordon remisé.

Ice Cream Maker

AVANT D'UTILISER L'APPAREIL POUR LA PREMIÈRE FOIS

1. Enlevez tous les matériaux d'emballage et la documentation.
2. Lavez le contenant, le couvercle et l'élément malaxeur à l'eau savonneuse chaude. Rincez les composants et séchez-les complètement. N'immergez jamais le moteur dans l'eau ou dans un autre liquide. Ne nettoyez pas les composants de l'appareil au lave-vaisselle.

CONGÉLATION DU CONTENANT

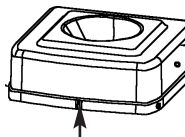
- Avant de faire des desserts surgelés, il est très important de geler le contenant correctement. La sorbetière comporte une double cuvette isolée qui doit être complètement congelée. Le contenant devrait être placé à la verticale à l'arrière (la partie la plus froide) de votre congélateur.
- Assurez-vous que le contenant est lavé et séché complètement. Pour obtenir les meilleurs résultats possibles, enveloppez le contenant dans un sac en plastique et placez-le au congélateur.
- Le temps nécessaire pour geler correctement le contenant est fonction de la température de votre congélateur. **La congélation prend environ 8-24 heures selon la température du congélateur (si la température est à -22 °F, il faudra 8 heures; si la température est de 0 °F, il faudra 24 heures), selon la température du congélateur qui va de -30 °C/-22 °F à -17 °C/+0 °F.**

- Secouez le contenant pour vous assurer qu'il est correctement congelé. Le contenant ne doit pas avoir de liquide qui se déplace entre les parois. Si vous entendez le liquide, le contenant n'est pas gelé.
- Conservez votre contenant au congélateur pour qu'il soit prêt à préparer des desserts surgelés n'importe quand. Si vous entendez le liquide dans le contenant, il n'est pas gelé.

MODE D'UTILISATION

1. Placez le contenant au congélateur pendant 8-24 heures (voir la rubrique sur la congélation sur cette page).
2. Suivez les recettes présentées dans le livret d'instruction. Presque n'importe quelle recette de dessert surgelé peut être employée à condition de ne pas utiliser plus de 6 tasses de liquide. Six tasses produiront 2 pintes de crème glacée.
3. Préparez les ingrédients (voir les pages 24-32).
4. Sortez le contenant du congélateur et placez-le sur la base du moteur. Le contenant devrait être employé dès qu'il sort du congélateur; autrement, il commence à dégeler quand il se trouve à la température ambiante.
5. Placez l'élément malaxeur dans le contenant. Assurez-vous que la partie arrondie de l'élément malaxeur est orientée vers le haut (photo de la page 19).

6. Verrouillez le couvercle sur la base du moteur. Les languettes situées au fond du couvercle devraient être alignées avec les fentes pratiquées dans la base du moteur. Ainsi, le couvercle est bien verrouillé. Quand vous placez le couvercle sur la base du moteur, l'élément malaxeur devrait s'insérer dans le couvercle.



7. Tournez le cadran « On/Off » vers la droite (position de fonctionnement). **Il est important de mettre l'appareil en marche en premier, avant d'y verser le mélange. Le contenant tourne et l'élément malaxeur reste stationnaire.**

NOTE : La sorbetière a une caractéristique de sécurité qui arrête automatiquement l'appareil si le moteur surchauffe. Cela peut se produire s'il y a trop de liquide dans l'appareil, si l'appareil a été en marche trop longtemps ou si les ingrédients ajoutés (noix, etc.) sont trop gros. Pour remettre l'appareil en marche, tournez l'interrupteur en position « Off ». Laisser l'appareil refroidir. Après quelques minutes, vous pouvez remettre l'appareil en marche et continuer de préparer le dessert ou la boisson.

8. Versez lentement le mélange dans l'ouverture supérieure du couvercle. NOTE : Ne remplissez pas le contenant à plus de 1/2 po du dessus. À ce

moment-ci, laissez la machine en marche pendant environ 20 minutes (le temps varie, selon la température des ingrédients ou du contenant) ou jusqu'à ce que le mélange parvienne à la consistance désirée. Si vous préparez de la crème glacée, votre mélange devrait être lisse, comme la crème glacée.

NOTE : Vérifier continuellement le mélange de crème glacée quand l'appareil est en marche.

9. Quand le dessert surgelé est prêt, arrêtez l'appareil. Retirez le couvercle et le mélange de la cuvette avec une cuillère en plastique. **N'utilisez pas d'ustensiles en métal ou d'objets en métal dans le contenant.**
10. La crème glacée sera lisse comme du pudding. Si vous préférez une crème glacée dure, placez la crème glacée dans un récipient étanche à l'air et placez-le au congélateur pour lui permettre de parvenir à la dureté désirée. Le dessert surgelé devrait être sorti du contenant et placé dans un contenant hermétique qui peut aller au congélateur. Si le dessert surgelé est laissé dans le contenant et placé au congélateur, cela ne doit être fait que pendant une courte période (moins de 30 minutes); autrement, le dessert gèlera sur les parois du contenant et il l'endommagera probablement.

Ice Cream Maker

DÉPANNAGE

- **LA CRÈME GLACÉE N'EST PAS PARVENUE À LA CONSISTANCE D'UN PUDDING.** Le contenant doit être gelé correctement. Vérifier la température de votre congélateur. Si la température est supérieure à -17 °C / 0 °F, réduisez la température. Si vous ne pouvez pas abaisser la température du congélateur, les ingrédients devraient être aussi froids que possible. Mettez le mélange au congélateur pendant une heure, jusqu'à ce que le mélange commence à se cristalliser. Versez alors le mélange dans la sorbetière.
- **L'APPAREIL SE MET EN MARCHÉ ET IL S'ARRÊTE.** Enlevez le contenant de la base du moteur et mettez l'appareil en marche. Si cela donne des résultats, l'appareil n'était pas en marche correctement avant d'y ajouter le mélange. Versez le mélange dans le contenant APRÈS avoir mis l'appareil en marche.
- **L'ÉLÉMENT MALAXEUR NE TOURNE PAS.** Seul le contenant tourne. L'élément malaxeur doit être stationnaire.

INSTRUCTIONS POUR LE NETTOYAGE

- Nettoyez le contenant, l'élément malaxeur et le couvercle à l'eau savonneuse chaude.
- Employez un chiffon humide pour nettoyer la base du moteur.
- N'immergez jamais l'appareil, la prise de courant ou le cordon d'alimentation électrique dans l'eau ou dans un autre liquide.
- Ne placez jamais le contenant au congélateur s'il est encore humide.
- Assurez-vous que toutes les pièces sont séchées complètement.
- Ne remisez jamais les pièces en plastique au congélateur.

CONSEILS ET TRUCS

- Lisez toutes les instructions et sauvegardez-les pour vous y référer éventuellement.
- Refroidissez au réfrigérateur toutes les recettes cuites avant de les utiliser.
- Les saveurs seront plus fortes avant la congélation.
- Pour obtenir de meilleurs résultats, égouttez votre yogourt.
- Pour obtenir de meilleurs résultats, refroidissez les noix, les fruits, l'alcool et les garnitures avant de les ajouter aux gourmandises surgelées. En général, ces produits sont ajoutés à la fin du cycle de gel.
- **Pour des recettes précuites, faites le mélange un jour à l'avance. Cela permet de les refroidir complètement et d'augmenter leur volume. Les recettes refroidies donnent de meilleurs résultats.**
- Les recettes qui n'exigent pas de cuisson devraient être préparées à l'aide d'un mélangeur électrique pour augmenter le volume du mélange.
- La crème, le sucre, les oeufs et le lait sont les ingrédients les plus utilisés dans la crème glacée. Des substitutions peuvent être faites à l'aide d'ingrédients semblables selon vos préférences. Par exemple, n'importe quel type de crème peut être employé, mais il y aura une différence au niveau de la couleur, de la texture et de la saveur. Plus la crème que vous employez est riche, plus les résultats sont riches. La crème épaisse contient environ 36 % de matières grasses; c'est la crème la plus riche. La crème à fouetter, la crème (légère) pour le café et la crème moitié-moitié contiennent environ 30 %, 18 % et 10 % de matières grasses respectivement.
- 2 onces de succédané d'oeuf est l'équivalent d'un oeuf.
- Quand vous utilisez ou ajoutez des oeufs ou un succédané d'oeufs dans vos recettes, vous devriez chauffer / cuire le mélange de la recette.
- Des édulcorants peuvent être employés au lieu du sucre, mais ils devraient être ajoutés quand le mélange est refroidi ou tout au plus, être à la température ambiante. Si le sucre est dissout par la chaleur dans une recette, omettez cette étape si vous utilisez un édulcorant. Ajoutez ce dernier au mélange jusqu'à ce qu'il soit complètement dissout.
- Ajouter le blanc d'un petit oeuf ajoute du volume à la plupart des mélanges.
- Si une recette contient de l'alcool, ajoutez l'alcool à la fin de la recette, environ une à trois minutes avant la fin de la congélation. Autrement, l'alcool peut arrêter la congélation.
- Le goût des sorbets dépend en grande partie de deux choses : le degré de maturité des fruits et dans quelle mesure les fruits ou les jus sont sucrés. Pour les fruits acides, ajoutez le sucre ou omettez le sucre si le fruit est très mûr. Quand il est congelé, le sorbet ou les autres desserts surgelés ont un goût moins sucré que le mélange.
- L'entreposage à long terme au congélateur de la crème glacée faite à la maison devrait être fait dans un contenant hermétique qui peut aller au congélateur.
- La crème glacée et les autres desserts surgelés restent frais au réfrigérateur pendant plusieurs jours, mais ils devraient être très bien mélangés quelques minutes avant d'être ajoutés au contenant.
- Le mélange augmente de volume pendant la congélation; c'est pourquoi il ne faut pas verser plus de 6 tasses de mélange dans le contenant.

Ice Cream Maker

RECETTES DE DESSERTS SURGELÉS

Les recettes ci-dessous sont conçues pour donner 2 pintes.

Note : 1,5 pinte de liquide donne 2 pintes de dessert surgelé.

CONSEIL : Utilisez la recette pour la « crème glacée à la vanille comme base » pour créer vos propres saveurs préférées de crème glacée. Par exemple, pour faire une crème glacée aux fruits, réduisez la quantité de crème ou de lait d'une tasse et ajouter une tasse de fruits en purée à la recette de crème de glace à la vanille comme base.

NOTE : La texture et le goût de la crème glacée peuvent changer selon que la crème que vous utilisez est plus riche ou moins riche.

Crème glacée à la vanille

Ingrédients :

- 6 onces de succédanés d'œufs
- 1,5 tasse de sucre
- 1,5 tasse de crème moitié-moitié (ou de lait)
- 3 tasses de crème épaisse
- 2 c. à thé de vanille

Préparation :

1. Amalgamez les œufs, le sucre et la vanille dans un bol à mélanger avec un malaxeur ou un mélangeur.
2. Ajoutez la crème moitié-moitié (ou le lait).
3. Mélangez bien les ingrédients et refroidissez la préparation complètement.
4. Suivez les instructions normales présentées à la page. 20.

Yogourt surgelé aux oranges et aux bananes

Ingrédients :

- 3 tasses de yogourt à la vanille
- 1,5 tasse de jus d'orange
- 1,5 tasse de bananes écrasées
- 1,5 tasse de lait
- 1,5 tasse de sirop de maïs léger

Préparation :

1. Dans un bol à mélanger, amalgamez tous les

2. Suivez les instructions normales présentées à la page. 20.

Sorbet aux mûres

Ingrédients :

- 4,5 tasses de mûres fraîches
- $\frac{3}{4}$ tasse d'eau
- 1 tasse de sucre
- $\frac{3}{4}$ tasse d'oranges
- 3 (gros) blancs d'œuf

Préparation :

1. Dans une casserole placée sur un feu d'intensité moyenne, amalgamez l'eau et le sucre.
2. Remuez la préparation jusqu'à ce que le sucre soit dissout.
3. Faites une purée et refroidissez la préparation complètement.
4. Battez les blancs d'œufs jusqu'à ce qu'ils forment des pics lisses.
5. Ajoutez le jus d'orange aux mûres.
6. Fouettez les blancs d'œufs.
7. Suivez les instructions normales présentées à la page 20.

Yogourt surgelé au chocolat

Ingrédients :

- 3,5 tasses de yogourt ordinaire ou à la vanille
- 1,5 tasse de crème sûre
- 1/3 tasse de sirop de maïs léger
- 1,25 tasse de sucre
- 3/4 – 1 tasse de cacao à cuire (au goût)

Préparation :

1. Amalgamez tous les ingrédients dans un bol à mélanger et battez-les bien.
2. Refroidissez la préparation complètement.
3. Suivez les instructions normales présentées à la page. 20.

Yogourt surgelé aux pépites de chocolat

Ingrédients :

- 3,5 tasses de yogourt ordinaire ou à la vanille
- 1,5 tasse de crème sûre
- 1/2 tasse de sirop de maïs léger

- 1,25 tasse de sucre
- 1,5 c. à thé de vanille
- 1,5 tasse de mini pépites de chocolat

Préparation :

1. Amalgamez les cinq premiers ingrédients dans un bol à mélanger et battez-les bien.
2. Refroidissez la préparation complètement.
3. Suivez les instructions normales présentées à la page. 20.
4. Ajoutez les pépites de chocolat à la fin de la congélation.

Des succédanés d'eufs peuvent être ajoutés au mélange sans cuisson pour ceux qui sont préoccupés par les eufs. Vous pouvez également éliminer les eufs. Si des recettes présentées dans ce livre doivent être employées par des personnes diabétiques ou des personnes ayant d'autres inquiétudes diététiques, consultez votre médecin avant de les utiliser.

Crème glacée au chocolat

Ingrédients :

- 3,5 tasses de crème épaisse
- 1,5 tasse de crème moitié-moitié ou de lait
- 1,5 tasse de sucre
- 6 onces de succédanée d'eufs
- 2 cuillerées à thé de vanille
- 3/4 – 1 tasse de cacao de cuisson (au goût)

Préparation :

1. Amalgamez tous les ingrédients dans un bol à mélanger.
2. Battez bien la préparation.
3. Refroidissez la préparation complètement.
4. Suivez les instructions normales présentées à la page. 20.

Ice Cream Maker

Crème glacée au beurre d'arachide et au chocolat

Ingrédients :

- 1,5 tasse de crème épaisse
- 1,5 tasse de crème moitié-moitié ou de lait
- 1,5 tasse de sucre
- 6 onces de succédané d'œufs
- 2 c. à thé de vanille
- $\frac{3}{4}$ – 1 tasse de cacao de cuisson (au goût)
- 1,5 tasse de beurre d'arachide

Method:

1. Amalgamez le cacao et le sucre dans un bol à mélanger à l'aide d'un robot, d'un mélangeur et d'un malaxeur.
2. Ajoutez graduellement le beurre d'arachides et les œufs.
3. Ajoutez la crème, la crème moitié-moitié et la vanille.
4. Battez bien la préparation et refroidissez-la complètement.
5. Suivez les instructions normales présentées à la page. 20.

Glace expresso

Ingrédients :

- 4,5 c. à soupe d'expresso instantané ou 6 c. à soupe de poudre de café instantané
- 5,5 tasses d'eau bouillante
- 1,5 c. à soupe d'extrait de vanille
- 1,25 tasse de sucre

Method:

1. Dissoudre le café dans l'eau bouillante.
2. Dissoudre le sucre dans le café.
3. Ajoutez l'extrait de vanille.
4. Refroidissez la préparation complètement.
5. Suivez les instructions normales présentées à la page. 20.
6. Servez la préparation avec une cuillerée de crème fouettée et saupoudre de cacao.

Crème glacée non grasse aux pêches

Ingrédients :

- 2,25 tasses de lait écrémé évaporé
- 1,5 tasse de pêches mûres en purée
- 2,25 c. à thé de gélatine ordinaire
- 6 onces de succédané d'œufs
- 8 onces de fromage non gras fondu
- 1,5 c. à thé de vanille
- 1,5 tasse de sucre
- $\frac{3}{4}$ c. à thé de cannelle
- $\frac{1}{2}$ c. à thé d'épices générales moulues
- $\frac{1}{2}$ c. à thé de clou de girofle moulu
- $\frac{1}{2}$ c. à thé de muscade râpée

Method:

1. Pour ramollir la gélatine, versez le lait dans une petite casserole et saupoudrez la gélatine à la surface. Prévoyez 3 minutes pour que la gélatine soit absorbée dans le mélange et que le lait se réchauffe; remuez le mélange pour que les ingrédients soient dissous complètement.
2. Amalgamez les autres ingrédients dans un mélangeur ou un robot culinaire. Mélangez bien. Ajoutez le lait/gélatine et continuez la préparation pour obtenir un mélange approprié.
3. Refroidissez complètement la préparation et suivez les instructions normales présentées à la page. 20.

Crème glacée non grasse au chocolat

Ingrédients :

- 4,5 tasses de lait écrémé évaporé
- 1,5 c. à thé d'extrait de vanille
- 2,25 c. à thé de gélatine ordinaire
- 1,5 tasse de sucre
- 6 onces de succédané d'oeufs
- $\frac{3}{4}$ – 1 tasse de cacao de cuisson (au goût)

Note : Amalgamez le cacao et le sucre avant d'ajouter la préparation pour faciliter le mélange au cacao.

Préparation :

1. Pour ramollir la gélatine, versez 2,25 tasses de lait dans une petite casserole et saupoudrez la gélatine sur la surface. Prévoyez 3 minutes pour que la gélatine soit absorbée dans le mélange et pour que le lait se réchauffe; remuez le mélange pour bien dissoudre tous les ingrédients.
2. Amalgamez les autres ingrédients dans un mélangeur ou un robot culinaire. Mélangez bien la préparation. Ajoutez le lait/gélatine et continuez le traitement pour obtenir un mélange approprié.
3. Refroidissez la préparation complètement.
4. Suivez les instructions normales présentées à la page. 20.

Yogourt surgelé non gras aux ananas

Ingrédients :

- 1,25 tasse de lait écrémé évaporé
- 6 c. à soupe de jus d'ananas
- 2,25 c. à thé de gélatine ordinaire
- 6 onces de succédané d'oeufs
- 3,75 tasses de yogourt non gras à la vanille
- 1,5 c. à soupe de zeste d'orange
- 1,5 tasse de sucre
- Un soupçon de sel

Préparation :

1. Pour dissoudre la gélatine, placez 1,25 tasse de lait dans une petite casserole; saupoudrez la gélatine sur la surface. Prévoyez 3 minutes pour que la gélatine soit absorbée dans le mélange et pour réchauffer le lait; remuez le mélange pour obtenir une dissolution complète.
2. Amalgamez les autres ingrédients dans un mélangeur ou un robot culinaire. Mélangez bien la préparation. Ajoutez le lait/gélatine et continuez le traitement pour obtenir un mélange approprié.
3. Refroidissez la préparation complètement.
4. Suivez les instructions normales présentées à la page. 20.

Crème glacée au chocolat et à la menthe française

Ingrédients :

- 4 (gros) jaunes d'oeufs
- 1,5 tasse de sucre
- $\frac{1}{2}$ tasse de cacao
- 1,5 tasse le lait
- 3 tasses de crème
- 1,5 c. à thé de vanille
- 2,25 c. à soupe d'extrait de menthe

Préparation :

1. Battez le lait et les jaunes d'oeufs.
2. Ajoutez graduellement le sucre.
3. Dans une casserole, faites cuire la préparation sur un feu à température moyenne; remuez constamment jusqu'à ce que la préparation soit assez épaisse pour enduire la cuillère.
4. Retirez le contenant de la chaleur et tamisez-y doucement le cacao; ajoutez la menthe au mélange.
5. Battez bien le mélange jusqu'à ce que les ingrédients soient mélangés.
6. Refroidissez la préparation et ajoutez ensuite la crème et la vanille.
7. Mélangez bien la préparation et refroidissez-la toute une nuit.
8. Suivez les instructions normales présentées à la page. 20.

Ice Cream Maker

Crème de glace à la vanille française

Ingrédients :

- 4 (gros) oeufs
- 1,5 tasse de sucre
- 2,25 tasses de lait
- 3 tasses de crème
- 3 c. à thé de vanille

Préparation :

1. Battez ensemble les oeufs et le lait dans une grande casserole.
2. Ajoutez le sucre et cuisez la préparation à basse température; mélangez constamment jusqu'à ce que la préparation épaississe (environ 10 minutes).
3. Le mélange devrait enduire la cuillère.
4. Refroidissez bien la préparation et ajoutez la crème et la vanille.
5. Mélangez bien la préparation et réfrigérez-la pendant toute une nuit.
6. Suivez les instructions normales présentées à la page. 20.

Margaritas surgelés

Ingrédients :

- 3,5 tasses d'eau
- $\frac{3}{4}$ tasse de jus de limette
- 1,25 tasse de triple sec
- 1 tasse de tequila

Préparation :

1. Amalgamez les deux premiers ingrédients.
2. Suivez les instructions normales présentées à la page. 20.
3. Lorsque la préparation est terminée, ajoutez le triple sec et la tequila avant de servir.

Frozen Pina Colada

Ingredients:

- 1 contenant de 8 onces de crème de noix de coco
- 2,5 tasses de jus d'ananas sucré
- $\frac{1}{2}$ tasse de rhum foncé

Préparation :

1. Amalgamez les deux premiers ingrédients.
2. Suivez les instructions normales présentées à la page. 20.
3. Lorsque la préparation est terminée, ajoutez le rhum avant de servir

Sorbet aux fruits

Ingrédients :

- 4,5 tasses de fruits (fraises, framboises, bleuets ou ananas frais)
- $\frac{3}{4}$ tasses de sucre
- 1,5 tasse d'eau

Préparation :

1. Amalgamez les ingrédients dans un robot pour mettre les fruits en purée.
2. Suivez les instructions normales présentées à la page. 20.

Glace au citron

Ingrédients :

- 1 contenant de 12 onces de concentré congelé de citronnade
- 3 tasses d'eau
- 1,5 tasse de sucre

Préparation :

1. Amalgamez l'eau et le sucre dans une petite casserole. Faites mijoter pour dissoudre le sucre; refroidissez la préparation.
2. Mélangez les ingrédients dans un bol à mélanger, un robot ou un mélangeur.
3. Suivez les instructions normales présentées à la page. 20.

Sorbet au citron

Ingrédients :

- 1,5 tasse de concentré de citronnade congelée
- 4,5 tasses de lait
- $\frac{3}{4}$ tasse de sucre
- 3 c. à soupe de pelure de citron râpé
- 1 (gros) blanc d'oeuf

Préparation :

1. Amalgamez tous les ingrédients et remuez la préparation jusqu'à ce que le sucre soit dissout et que le mélange semble caillé.
2. Suivez les instructions normales présentées à la page 20.

Sandwichs à la crème glacée

Ingrédients :

Biscuits cuits d'avance - 2 par sandwich; choisissez des biscuits de 2,5 à 3 po de diamètre; les biscuits mous donnent de meilleurs résultats. Congelez les biscuits avant de les garnir.

Garniture - préparez la crème glacée choisie. Affermissez-la au congélateur avant de la placer dans les sandwichs.

Préparation

Placez une strate de $\frac{1}{2}$ po de crème glacée sur un biscuit. Placez un deuxième biscuit sur la garniture. Au besoin, rouler les sandwichs dans la noix de coco grillée ou saupoudrez-les de noix de coco.

Stockage

Enveloppez individuellement les biscuits congelés et congelez-les.

Ice Cream Maker

Gourmandise surgelée sans produits laitiers et sans matières grasses

Ingrédients :

- 4,5 tasses de colorant à café
- 6 onces de succédané d'œufs
- 2,25 c. à thé de gélatine ordinaire
- 2,25 tasses de mangues très mûres en purée
- 1,25 tasse de sucre
- 1,5 c. à thé de vanille

Préparation :

1. Dans une petite casserole, saupoudrez la gélatine sur 2,25 tasses de colorant à café. Chauffez le mélange (sans le laisser bouillir) pour dissoudre la gélatine; remuez la préparation au besoin.
2. Ajoutez les autres ingrédients et mélangez-les bien dans un mélangeur ou un robot culinaire.
3. Refroidissez complètement la préparation.
4. Suivez les instructions normales présentées à la page. 20.

Gourmandise aux fraises sans produits laitiers et sans matières grasses

Ingrédients :

- 4,5 tasses de colorant à café sans matières grasses
- 6 onces de succédané d'œufs
- 2,25 c. à thé de gélatine ordinaire
- 2,25 tasses de fraises en purée
- 1,25 tasse de sucre
- 1.5 c. à thé de vanille

Préparation :

1. Dans une petite casserole, saupoudrez la gélatine sur 2,25 tasses de colorant à café. Chauffez le mélange (sans le laisser bouillir) pour dissoudre la gélatine; remuez la préparation au besoin.
2. Ajoutez les autres ingrédients et mélangez-les bien dans un mélangeur ou un robot culinaire.
3. Refroidissez la préparation complètement.
4. Suivez les instructions normales présentées à la page. 20.

Sorbet au Piña Colada

Ingrédients :

- 1,5 tasse de lait
- 1 tasse d'ananas écrasés
- 2 c. à soupe de lait en poudre sans matières grasses
- 2 c. à soupe de rhum foncé
- 1 tasse de lait de noix de coco
- un soupçon de sel
- 1 contenant de 10 onces de mélange de piña colada partiellement décongelé

Préparation :

1. Dans un mélangeur ou un robot culinaire, amalgamez les ingrédients jusqu'à ce que le lait soit dissout.
2. Couvrez la préparation et refroidissez-la complètement.
3. Suivez les instructions normales présentées à la page. 20.

Glace aux ananas

Ingrédients :

- 1 contenant de 12 onces de concentré d'ananas congelé
- 3 tasses d'eau
- 1 tasse de sucre

Préparation :

1. Amalgamez le sucre et l'eau dans une petite casserole. Faites mijoter la préparation pour dissoudre le sucre puis faites-le refroidir.
2. À l'aide d'un mélangeur ou d'un robot culinaire, mélangez tous les ingrédients.
3. Suivez les instructions normales présentées à la page. 20.

Crème glacée aux pistaches

Ingrédients :

- 1 tasse de pistaches non salées et écosées
- 4 onces de succédané d'œufs
- 1,25 tasse de sucre
- 3 tasses de crème à fouetter
- 1,5 tasse de lait
- $\frac{3}{4}$ de c. à thé d'extrait d'amande
- 1,5 c. à thé d'extrait de vanille

Préparation :

1. Dans un mélangeur ou un robot, amalgamez les noix, les œufs et le lait.
2. Mélangez la préparation jusqu'à ce que les noix soient finement hachées.
3. Ajoutez les autres ingrédients.
4. Suivez les instructions normales présentées à la page. 20.

Autre préparation :

1. Remplacez les pistaches par des noix de pacane ou des noix de noyer.
2. Remplacez le sucre par une tasse de sirop d'érable.

Crème glacée aux framboises

Ingrédients :

- 3,5 tasses de crème épaisse
- 1,5 tasse de crème moitié-moitié ou de lait
- 1,5 tasse de sucre
- 6 onces de succédané d'œufs
- 1,5 c. à thé de vanille
- 1,5 tasse de framboises en purée

Préparation :

1. Amalgamez les œufs, le sucre et la vanille dans un bol à mélanger et bien battre la préparation.
2. Ajoutez la purée de framboises.
3. Ajoutez la crème et la crème moitié-moitié (ou le lait).
4. Battez bien la préparation et refroidissez-la complètement.
5. Suivez les instructions normales présentées à la page. 20.

NOTE : Les fraises, les bleuets ou les mûtes peuvent remplacer les framboises.

Ice Cream Maker

Crème glacée au gâteau au fromage et aux fraises

Ingrédients :

- ½ tasse de crème moitié-moitié (ou de lait)
- 8 onces de fromage à la crème
- 2 tasses de crème épaisse
- 1,5 c. à thé de vanille
- 4 onces de succédané d'œufs
- ¾ – 1 tasse de fraises en purée
- 1 tasse de sucre

Préparation :

1. Battez les œufs et le sucre à l'aide d'un mélangeur, d'un malaxeur ou d'un robot culinaire jusqu'à ce que la préparation soit épaisse et qu'elle ait la couleur de la crème.
2. Ajoutez le lait, la crème, la vanille et le fromage à la crème. Mélangez la préparation complètement.
3. Ajoutez les fraises et mélangez bien la préparation.
4. Suivez les instructions normales présentées à la page. 20.

Crème glacée sans sucre aux noix noires

Ingrédients :

- 3 tasses de crème épaisse
- un soupçon de sel
- 1,5 tasse de crème moitié-moitié
- 6 onces de succédané d'œufs
- 7,5 c. à thé d'édulcorant (ou au goût)
- 1,5 c. à soupe de vanille
- ¾ tasse de noix noires finement hachées*
- ½ c. à thé d'extrait de noix noires ou 2-3 gouttes d'extrait d'amandes

Préparation :

1. Mélangez tous les ingrédients dans un mélangeur ou un robot culinaire, sauf les noix.
 2. Mélangez complètement la préparation.
 3. Couvrez la préparation et refroidissez-la complètement.
 4. Suivez les instructions présentées à la page 20.
 5. Ajoutez les noix à la fin de la congélation.
- * Des amandes, des noix de pacane, des noisettes et des macadamias grillés peuvent remplacer les noix noires.

Sorbet aux framboises sans sucre

Ingrédients :

- 2,25 tasses de lait
- 4,5 tasses de purée de framboises
- ⅔ tasse de lait en poudre sans gras
- 3,75 c. à thé d'édulcorant
- 2,25 c. à thé de gélatine ordinaire
- 3 c. à soupe de triple sec ou de grand marnier ou 1,5 c. à soupe de zeste d'orange et 4,5 c. à soupe de jus d'orange

Préparation :

1. Dans une petite casserole, ajoutez le lait et saupoudrez la gélatine sur la surface pour la ramollir. Chauffez légèrement la préparation jusqu'à ce que la gélatine soit dissoute; remuez au besoin.
2. Ajoutez le lait en poudre et mélangez complètement la préparation. Ajoutez les autres ingrédients. Mélangez complètement la préparation.
3. Refroidissez complètement la préparation.
4. Suivez les instructions normales présentées à la page. 20.

Note : En raison de l'ajout d'alcool, le mélange doit être bien refroidi avant de le verser dans la sorbetière; congelez le contenant aussi près de -20 °F que possible.

SERVICE À LA CLIENTÈLE

Si vous avez des questions ou des problèmes concernant le fonctionnement de votre Ice Cream Maker de Deni, téléphonez à notre département de service à la clientèle au numéro sans frais ci-dessous.:

Du lundi au vendredi
8h30 à 17h00.

(heure normale de l'Est)

1-800-DENI-VAC

1-800-336-4822

Ou envoyez-nous un courriel à
custserv@deni.com

Deni by Keystone Manufacturing Company, Inc.®

GARANTIE LIMITÉE D'UN AN

Votre Ice Cream Maker de Deni est garantie pendant un an à partir de la date d'achat ou du reçu contre tout défaut au niveau des matériaux et de la fabrication. Si votre appareil se révèle défectueux au cours de l'année suivant la date d'achat ou du reçu, renvoyez l'appareil, en port payé, avec une explication de la réclamation. Renvoyez l'appareil à l'adresse suivante : Keystone Manufacturing Company Inc., 800 Hertel Ave, Buffalo (NY) 14207. (Emballez votre appareil avec soin dans son contenant et avec les matériaux d'emballage d'origine pour éviter tout dommage pendant le transport. Keystone n'est pas responsable des dommages qui se produisent lors du renvoi.) En vertu de la présente garantie, Keystone Manufacturing Company Inc. s'engage à réparer ou à remplacer les pièces qui se révèlent défectueuses.

La présente garantie n'est valable que si l'appareil est utilisé uniquement à des fins domestiques et conformément aux instructions. Cette garantie ne vaut pas si l'appareil est branché sur une alimentation électrique qui ne convient pas ou si l'appareil est démonté ou autrement trafiqué, peu importe la manière, ou s'il est endommagé à la suite d'une utilisation qui ne convient pas.

Nous vous demandons de remplir en entier la fiche de garantie et de nous la renvoyer au cours de la semaine qui suit la date d'achat ou du reçu.

Cette garantie vous donne des droits légaux particuliers. Vous pourriez également avoir d'autres droits qui peuvent varier d'un état à l'autre ou d'une province à l'autre.

Máquina para hacer helado de

1 litro completamente
automática

REGALO

Incluye recetas con
helados para postres
deliciosos

Modelo #5220, 5221, 5222,
5225, 5226

IMPORTANTE: Sírvase
conservar estas instrucciones
y su embalaje original

deni®



INSTRUCCIONES
PARA EL USO Y EL CUIDADO APROPIADOS

Ice Cream Maker

MEDIDAS DE SEGURIDAD IMPORTANTES

Al utilizar este electrodoméstico, siempre debe cumplir precauciones de seguridad, incluso las siguientes:

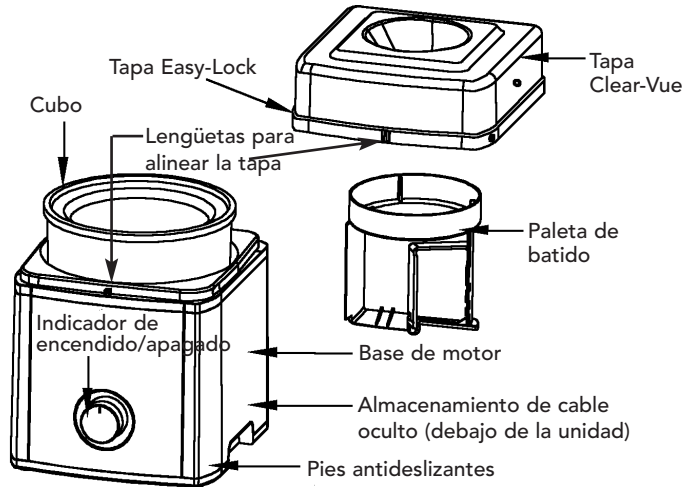
- Lea todas las instrucciones antes de utilizarlo.
- No permita que el cable cuelgue del borde de la mesa de trabajo o toque alguna superficie caliente.
- Coloque la máquina para hacer helado en un lugar firme del centro de la encimera o el lugar de trabajo.
- Es necesaria una atenta supervisión cuando la utilicen niños o se la utilice cerca de ellos.
- Evite cualquier contacto con componentes en movimiento. Los dedos, el cabello, la ropa, etc. deben mantenerse a distancia durante la operación.
- El uso de accesorios no recomendados o vendidos por Deni/Keystone Manufacturing Co., Inc. puede causar peligros.
- No la opere con el cable dañado. Devuelva la máquina para hacer helado a nuestro centro de reparaciones o haga que la repare un electricista matriculado.
- Siempre desconéctela antes de limpiarla y sacarle componentes.
- Sólo para uso en interiores.
- No la coloque cerca de quemadores calientes a gas o eléctricos.
- Mantenga los utensilios fuera del bote mientras utiliza la máquina para reducir el riesgo de lesiones a personas o daño a la máquina para hacer helado.

Los utensilios u objetos afilados o de metal no deben utilizarse en el interior del bote. Pueden rayarlo o dañarlo. Los utensilios de goma o madera pueden utilizarse cuando la máquina esté apagada.

- No la limpie con paños de metal. Ciertas partes del paño pueden desprenderse y causar cortocircuito en componentes eléctricos, lo cual genera la posibilidad de una descarga eléctrica.
- Para protegerla de descargas eléctricas, no sumerja el enchufe, el cable o la parte superior del motor en agua ni en otro líquido.
- No utilice un alargue con esta máquina para hacer helados. Sin embargo, si usa uno, debe tener una potencia nominal igual o superior a la de este electrodoméstico.
- La máquina es sólo para uso doméstico.
- No debe utilizársela para otros fines que no sean aquellos para los cuales se la diseñó.
- La máquina para hacer helado Deni® tiene un enchufe polarizado (una pata es más ancha que la otra). Como medida de seguridad, ese enchufe entrará en un tomacorriente polarizado sólo en una dirección. Si no encaja por completo, dé vuelta el enchufe. Póngase en contacto con un electricista calificado si sigue sin encajar. No intente pasar por alto esta medida de seguridad.

GUARDE ESTAS INSTRUCCIONES

ACCESORIOS



¡Su nueva máquina para hacer helados Deni le permite crear una gran variedad de delicias heladas: muchos sabores de helados, helados de agua, nieve, yogur helado, margaritas, incluso sus bebidas heladas favoritas en alrededor de 20 minutos, según el grado de frío de su bote!

La máquina para hacer helado de Deni viene con las siguientes prestaciones:

- **Tapa Clear-View**

Puede agregar con facilidad los ingredientes a través de la apertura de la tapa sin apagar la máquina.

- **Cubo**

El líquido del interior de las paredes brinda un frío completo y parejo. Las paredes con aislamiento doble mantienen el tazón cilíndrico frío durante más tiempo para obtener mejores resultados de congelamiento.

- **Base de motor**

La base del motor de alto rendimiento de 50 vatios ocupa muy poco espacio de la encimera. Las patas de goma antideslizantes mantienen la máquina para hacer helado en su lugar durante el uso.

- **Almacenamiento de cable oculto.**

Se ajusta al largo que se necesita y mantiene la encimera ordenada al quitar el resto del cable del medio del paso.

Ice Cream Maker

ANTES DE UTILIZARLO POR PRIMERA VEZ

1. Quite todos los materiales de embalaje y manuales.
2. Lave el cubo, la tapa y la paleta de mezcla con agua tibia con jabón. Enjuáguelos y séquelos por completo. NUNCA sumerja el motor en agua ni en ningún otro líquido. NUNCA lave ningún componente en un lavavajillas.

CONGELAMIENTO DEL CUBO

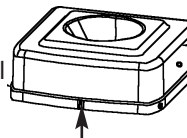
- Antes de hacer postres helados, es muy importante congelar el bote como corresponde. La máquina para hacer helados cuenta con un tazón de doble aislamiento que necesita estar congelado por completo. Recomendamos colocar el cubo en posición vertical en la parte trasera (la parte más fría) de su congelador.
- Asegúrese de que esté lavado y seco por completo. Para obtener mejores resultados, envuelva el bote en una bolsa de plástico y colóquelo en el congelador.
- La cantidad de tiempo necesaria para congelarlo como corresponde depende de la temperatura de su congelador. **El congelamiento dura entre 8 y 24 horas, según cuán frío esté el congelador (es decir, a -22 °F/-30 °C se congela durante 8 horas y a 0 °F/-17 °C se congela durante 24 horas), según las temperaturas del congelador estén entre -30°C/-22°F y -17°C/+0°F.**
- Sacuda el bote para asegurarse de que esté congelado como corresponde. No debe tener líquido que se mueva

en su interior. Si escucha líquido, no está congelado.

- Mantenga el bote en el congelador cuando no lo esté usando de manera de poder hacer postres helados en cualquier momento. Si escucha líquido, no está congelado.

CÓMO OPERARLA

1. Coloque el cubo en el congelador durante 8 a 24 horas (ver "Congelamiento del cubo" en esta página).
2. Siga las recetas de nuestro folleto de instrucciones. Se puede usar casi cualquier receta de postre helado siempre y cuando no exceda las 6 tazas de líquido. Las 6 tazas harán 1 litro de helado.
3. Prepare los ingredientes (ver páginas 41 a 49).
4. Saque el bote del congelador y colóquelo en la base del motor. El bote debe utilizarse de inmediato después de sacarlo del congelador porque comenzará a derretirse después de colocarlo a temperatura ambiente.
5. Coloque la paleta dentro del cubo. Asegúrese que el lado redondeado de la paleta de mezcla mire hacia arriba (foto de la página 36).
6. Trabe la tapa en la base del motor. Las lengüetas de la parte inferior de la tapa deben alinearse con las hendiduras de la base del motor. Eso asegura que la tapa esté trabada en su lugar. Al colocar la tapa en la base del motor, la paleta de mezcla debe encajar en la tapa.



7. Gire el disco de encendido/apagado hacia la derecha (posición de encendido). **Es importante encender la unidad primero antes de volcar la mezcla. El cubo rota mientras la paleta de mezcla permanece fija.**

NOTA: La máquina para hacer helado está equipada con una prestación de seguridad que detiene de manera automática la unidad si el motor se recalienta. Eso puede suceder si hay demasiado líquido en la unidad, si la unidad ha estado funcionando durante demasiado tiempo o si los ingredientes agregados (nueces, etc.) son demasiado grandes. Para reiniciar la unidad, gire el interruptor de encendido/apagado a la posición OFF (de apagado). Deje que la unidad se enfríe. Después de unos minutos, puede encender de nuevo la unidad y seguir haciendo el postre o la bebida.

8. Vierta con lentitud la mezcla por la apertura superior de la tapa. **NOTA: No llene el cubo más de 1/2 pulgada (1,2 cm.) desde la parte superior. Es en ese momento que deja la máquina encendida durante alrededor de 20 minutos (el tiempo varía, según el grado de frío de los ingredientes o el cubo) o hasta que la mezcla cobre el espesor deseado. Si está**

haciendo helado, debería obtener un producto suave, parecido a las natillas.

NOTA: controle en todo momento la mezcla mientras la unidad esté encendida.

9. Cuando el postre helado esté listo, asegúrese de que la unidad esté apagada. Quite la tapa y la mezcla del tazón con una cuchara de plástico o una pala de plástico. No use utensilios u objetos de metal en el bote.
10. El helado tendrá una consistencia parecida a las natillas. Si prefiere helado duro, colóquelo en un recipiente hermético, luego colóquelo en el congelador y déjelo hasta que alcance la dureza deseada. Se recomienda quitar los postres fríos del cubo y colocarlos en recipientes herméticos preparados para el congelador. Si se deja el postre helado en el cubo en el congelador, sólo debe dejárselo durante un período breve de tiempo (menos de 30 minutos) o el postre helado se adherirá al cubo y quizá lo dañe.

Ice Cream Maker

SOLUCIÓN DE PROBLEMAS

- **EL HELADO NO SE CONVIRTIÓ EN UNA CREMA SUAVE.** El bote debe estar apropiadamente congelado. Revise la temperatura de su congelador. Si está por encima de los -17 °C/0 °F, bájela. Si no puede bajar la temperatura del congelador, los ingredientes deben estar tan fríos como sea posible. Ponga la mezcla en el congelador durante 1 hora hasta que comience a cristalizarse. Luego vierta la mezcla en la máquina para hacer helado.
- **LA UNIDAD ARRANCÓ Y LUEGO SE DETUVO**
Saque el cubo de la base del motor y encienda la unidad. Si funciona, no se había encendido la unidad antes de agregar la mezcla. Vierta la mezcla en el cubo DESPUÉS de encender la unidad.
- **LA PALETA NO ESTÁ GIRANDO.** Sólo el cubo gira. La paleta debería permanecer quieta.

INSTRUCCIONES DE LIMPIEZA

- Limpie el cubo, la paleta y la tapa con agua tibia con jabón.

- Use un trapo húmedo para limpiar la base del motor.
- Nunca sumerja la unidad del motor, el enchufe o el cable en agua ni en otro líquido.
- Nunca coloque el cubo en el congelador si sigue húmedo.
- Asegúrese de que todos los componentes estén por completo secos.
- Nunca guarde componentes de plástico en el congelador.

PISTAS Y CONSEJOS

- Lea todas las instrucciones y guárdelas para referencia futura.
- Enfríe todos los ingredientes cocinados en el refrigerador antes de utilizarlos.
- Los sabores serán más intensos antes del congelamiento.
- Para lograr mejores resultados, cuele su yogur.
- Para obtener mejores resultados, enfríe nueces, frutas, alcohol y decoraciones antes de agregarlas al postre helado. Por lo general, estos productos se agregan al final del ciclo de congelación.
- **Para recetas precocidas, haga la mezcla un día antes. Eso le permitirá enfriarse por completo y que su volumen crezca. La congelación de ingredientes producirá mejores resultados.**
- Es mejor hacer las recetas que no requieren cocción con una batidora eléctrica para aumentar el volumen de la mezcla.
- Los ingredientes más comunes para el helado son la crema, el azúcar, los huevos y la leche. Puede substituirse estos ingredientes por otros similares según su preferencia. Por ejemplo, se puede utilizar cualquier tipo de crema, no obstante, el color, la textura y el sabor serán diferentes. Cuanto más rica sea la crema que use, más ricos serán los resultados. La crema de leche contiene alrededor de un 36% de grasa y por ende es la más rica. La crema batida, la crema (ligera) para café y la mezcla de crema y leche contienen alrededor del 30%, 18% y 10% de grasa respectivamente.
- 2 onzas (55 g.) de sustituto de huevo equivalen a un huevo.
- Al usar o agregar huevos o sustituto de huevo en alguna de nuestras recetas, recomendamos calentar/cocinar la mezcla.
- Pueden usarse edulcorantes en lugar de azúcar; no obstante, se los debe agregar cuando la mezcla esté fría o, como mucho, a temperatura ambiente. Si el calor disuelve el azúcar en una receta, omita ese proceso al usar un sustituto para el azúcar. En lugar de eso, agregue endulzante a la mezcla hasta que esté por completo disuelto.
- El agregar la clara de un huevo pequeño dará más volumen a la mayoría de las mezclas.
- Si una receta requiere alcohol, agréguelo al final, entre uno y tres minutos antes del final del proceso de congelación. De lo contrario, puede detener el proceso de congelamiento.
- El gusto de los helados de agua se ve en gran medida afectado por la maduración y el dulzor de la fruta o el jugo. Para las tartas de fruta, agregue azúcar u omítala si la fruta está muy madura. Después de congelado, el helado de agua u otros postres congelados sabrán menos dulces que la mezcla.
- Al guardar durante mucho tiempo helado casero en el congelador debería guardárselo en recipientes herméticos preparados para congelador.
- El helado y otras mezclas de postres helados permanecen frescos en el refrigerador durante varios días. Sin embargo, se las debe mezclar bien antes de agregarlas al bote.
- El volumen de la mezcla aumentará durante el proceso de congelación; por lo tanto, no vierta más de 6 tazas de mezcla en el bote.

Ice Cream Maker

RECETAS PARA POSTRES HELADOS

Las siguientes recetas son para 1 litro.

Nota: 750 cm² de líquido forman 1 litro de postre helado.

CONSEJO: utilice la receta del "Helado de vainilla básico" como basa para crear sus sabores de helado favoritos. Como ejemplo, para hacer un helado de fruta, quite una taza de crema o leche y agregue una taza de fruta pisada a la receta de helado de vainilla básico.

NOTA: La textura del helado y su gusto pueden cambiar según la riqueza de la crema que use.

Helado de vainilla básico

Ingredientes:

- 6 onzas (170 g.) de sustituto de huevo
- 1 ½ tazas de azúcar
- 1 ½ tazas de mezcla de leche y crema (o de leche)
- 3 tazas de crema de leche
- 2 cucharadas de vainilla

Método:

1. Combine los huevos, el azúcar y la vainilla en un tazón de mezcla, procesadora o licuadora.
2. Agregue la mezcla de leche y crema (o la leche).
3. Mezcle bien y deje enfriar por completo.
4. Siga las instrucciones estándar de la pág. 37.

Yogur helado de naranja y banana

Ingredientes:

- 3 tazas de yogur de vainilla
- 1 ½ tazas de jugo de naranja
- 1 ½ tazas de banana pisada
- ½ de taza de leche
- ½ de taza de jarabe de maíz ligero

Método:

1. En un tazón de mezcla, combine todos los ingredientes y mézclelos bien.
2. Siga las instrucciones estándar de la pág. 37.

Helado de agua sabor mora

Ingredientes:

- 4 ½ tazas de moras frescas
- ¾ tazas de agua
- 1 taza de azúcar
- ¾ tazas de jugo de naranja
- 3 claras de huevo (grandes)

Método:

1. A fuego mediano, en una cacerola, combine las moras con el agua y el azúcar.
2. Revuelva hasta que el azúcar esté disuelta.
3. Pise la mezcla, luego enfríela por completo.
4. Mezcle las claras de huevo a punto nieve.
5. Agregue jugo de naranja a las moras.
6. Bátalas en las claras.
7. Siga las instrucciones estándar de la pág. 37.

Yogur helado de chocolate

Ingredientes:

- 3 ½ taza de yogur común o de vainilla
- 1 ½ taza de crema agria
- ⅓ de taza de jarabe de maíz ligero
- 1 ¼ tazas de azúcar
- ¾ a 1 taza de cacao en polvo (a gusto)

Método:

1. Combine todos los ingredientes en un tazón de mezcla y bátalos bien.
2. Enfríe por completo.
3. Siga las instrucciones estándar de la pág. 37.

Yogur helado con trozos de chocolate

Ingredientes:

- 3 ½ taza de yogur común o de vainilla
- 1 ½ tazas de crema agria
- ⅓ de taza de jarabe de maíz ligero
- 1 ¼ tazas de azúcar
- 1 ½ cucharada de vainilla
- 1 ½ tazas de trozos de chocolate

Método:

1. Combine los primeros cinco ingredientes en un tazón de mezcla y bátalos bien.
2. Enfríe por completo.
3. Siga las instrucciones estándar de la pág. 37.
4. Agregue los trozos de chocolate al final de proceso de congelación. freezing process.

Quienes se preocupen por los huevos, pueden agregar a la mezcla substitutos de huevo sin cocinar. También pueden eliminar los huevos. Si personas diabéticas o con otros problemas dietarios van a utilizar cualquiera de las recetas de este libro, deben consultar al médico antes de hacerlo.

Helado de chocolate

Ingredientes:

- 3 ½ tazas de crema de leche
- 1 ½ tazas de mezcla de leche y crema o de leche
- 1 ½ tazas de azúcar
- 6 onzas (170 g.) de sustituto de huevo
- 2 cucharadas de vainilla
- ¾ a 1 taza de cacao en polvo (para gusto)

Método:

1. Combine todos los ingredientes en un tazón de mezcla.
2. Bata bien.
3. Enfríe por completo.
4. Siga las instrucciones estándar de la pág. 37.

Ice Cream Maker

Helado de mantequilla de cacahuete y chocolate

Ingredientes:

- 1 ½ tazas de crema de leche
- 1 ½ tazas de mezcla de leche y crema o de leche
- 1 ½ tazas de azúcar
- 6 onzas (170 g.) de sustituto de huevo
- 2 cucharadas de vainilla
- ¾ a 1 taza de cacao en polvo (para gusto)
- 1 ½ tazas de mantequilla de cacahuete

Método:

1. Combine el cacao y el azúcar en un tazón de mezcla, procesadora o licuadora y mézclelas.
2. Mézclela con la mantequilla de cacahuete y los huevos.
3. Agregue la crema, la mezcla de leche y crema y la vainilla.
4. Bata bien y deje enfriar por completo.
5. Siga las instrucciones estándar de la pág. 37.

Expreso helado

Ingredientes:

- 4 ½ cucharadas de expreso instantáneo o
- 6 cucharadas de café en polvo común instantáneo.
- 5 ½ tazas de agua hirviendo.
- 1 ½ cucharada de extracto de vainilla
- 1 ¼ tazas de azúcar

Método:

1. Disuelva el café en el agua hirviendo.
2. Mezcle el azúcar con el café hasta que se disuelva.
3. Agregue el extracto de vainilla mientras mezcla.
4. Enfríe por completo.
5. Siga las instrucciones estándar de la pág. 37.
6. Sirva con una cucharada de crema batida y espolvoree cacao.

Helado de durazno sin grasa

Ingredientes:

- 2 ¼ tazas de leche descremada evaporada
- 1 ½ de taza de duraznos maduros pisados
- 2 ½ cucharada de gelatina sin sabor
- 6 onzas (170 g.) de sustituto de huevo
- 8 onzas (226 g.) de queso crema sin grasa
- 1 ½ cucharada de vainilla
- 1 ½ tazas de azúcar
- ¾ cucharada de canela
- ½ cucharada de pimienta de Jamaica molida
- ½ de cucharada de clavo molido
- ½ cucharada de nuez moscada rallada

Método:

1. Para ablandar la gelatina, coloque la leche en una cacerola pequeña y espolvoree la gelatina sobre la superficie. Deje 3 minutos que la mezcla absorba la gelatina. Caliente la leche y revuelva la mezcla para disolverla por completo.
2. Combine el resto de los ingredientes en una licuadora o procesadora de alimentos. Mézclelos bien. Agregue la leche/gelatina y siga procesándola para asegurarse de que se mezcle bien.
3. Enfríe por completo y siga las instrucciones estándar de la pág. 37.

Helado de chocolate sin grasa

Ingredientes:

- 4½ tazas de leche descremada evaporada
- 1½ cucharadas de extracto de vainilla
- 2½ cucharada de gelatina sin sabor
- 1½ tazas de azúcar
- 6 onzas (170 g.) de sustituto de huevo
- ¾ a 1 taza de cacao en polvo (a gusto)

Nota: Combine el cacao y el azúcar antes de agregarlos a la receta para facilitar una mezcla fácil del cacao.

Método:

1. Para ablandar la gelatina, coloque 3 ¼ taza de leche en una cacerola pequeña y espolvoree la gelatina sobre la superficie. Deje 3 minutos que la mezcla absorba la gelatina. Caliente la leche y revuelva la mezcla para disolverla por completo.
2. Combine el resto de los ingredientes en una licuadora o procesadora de alimentos. Mézclelos bien. Agregue la leche/gelatina y siga procesándola para asegurarse de que se mezcle bien.
3. Enfríe por completo.
4. Siga las instrucciones estándar de la pág. 37.

Yogur helado de ananá sin grasa

Ingredientes:

- 1¼ tazas de leche descremada evaporada
- 6 cucharadas de jugo de ananá
- 2 ¼ cucharada de gelatina sin sabor
- 6 onzas (170 g.) de sustituto de huevo
- 3 ¾ tazas de yogur sin grasa con sabor a vainilla
- 1 ½ cucharada de cáscara de naranja
- 1 ½ tazas de azúcar
- Una pizca de sal

Método:

1. Para disolver la gelatina, coloque 1 ¼ taza de leche en una cacerola pequeña y espolvoree la gelatina sobre la superficie. Deje 3 minutos que la mezcla absorba la gelatina. Caliente la leche y revuelva la mezcla para disolverla por completo.
2. Combine el resto de los ingredientes en una licuadora o procesadora de alimentos. Mézclelos bien. Agregue la leche/gelatina y siga procesándola para asegurarse de que se mezcle bien.
3. Enfríe por completo.
4. Siga las instrucciones estándar de la pág. 37.

Helado de menta y chocolate

francés

Ingredientes:

- 4 yemas de huevo (grandes)
- 1 ½ tazas de azúcar
- 1/2 de taza de cacao
- 1 ½ tazas de leche
- 3 tazas de crema
- 1 ½ cucharada de vainilla
- 2 ¼ cucharadas de extracto de menta

Método:

1. Bata la leche y las yemas de huevo juntas.
2. Agréguele el azúcar y mézclela.
3. En una cacerola, cocine la mezcla a fuego medio, mientras revuelve constantemente, hasta que tenga el suficiente espesor para cubrir la cuchara.
4. Saque la mezcla del fuego, tamice con cuidado el cacao y agregue la menta a la mezcla.
5. Bata bien hasta que esté mezclado.
6. Enfríe y luego agregue la crema y la vainilla.
7. Mezcle bien y refrigere durante toda la noche.
8. Siga las instrucciones estándar de la pág. 37.

Ice Cream Maker

Helado de vainilla francesa

Ingredientes:

- 4 huevos (grandes)
- 1 ½ tazas de azúcar
- 2 ¼ tazas de leche
- 3 tazas de crema
- 3 cucharadas de vainilla

Método:

1. Bata los huevos y la leche juntos en una cacerola grande.
2. Agregue azúcar y cocine a fuego lento, mientras revuelve en todo momento hasta que se espese (aprox. 10 minutos).
3. La mezcla debería cubrir la cuchara.
4. Enfríe y luego agregue la crema y la vainilla.
5. Mezcle bien y refrigere durante toda la noche.
6. Siga las instrucciones estándar de la pág. 37.

Margaritas heladas

Ingredientes:

- 3 ½ tazas de agua
- ¾ de taza de jugo de lima
- 1 ¼ tazas de triple seco
- 1 taza de tequila

Método:

1. Combine los primeros dos ingredientes.
2. Siga las instrucciones estándar de la pág. 37.
3. Cuando haya terminado, agregue el triple seco y el tequila y sirva.

Piñas coladas heladas

Ingredientes:

- 1 lata de 8 onzas (226 g) de crema de coco
- 2 ½ tazas de jugo endulzado de piña
- ½ taza de ron oscuro

Método:

1. Combine los primeros dos ingredientes.
2. Siga las instrucciones estándar de la pág. 37.
3. Cuando haya terminado, agregue ron y sirva.

Helado de agua sabor frutal

Ingredientes:

- 4½ tazas de fruta (como frutillas, frambuesas, moras o piña fresca)
- ¾ de taza de azúcar
- 1 ½ tazas de agua

Método:

1. Combine los ingredientes en una procesadora para moler la fruta.
2. Siga las instrucciones estándar de la pág. 37.

Hielo de limón

Ingredientes:

- 1 lata de 12 onzas (340 g) de limonada concentrada helada
- 3 tazas de agua
- 1 1/2 tazas de azúcar

Método:

1. Combine el agua y el azúcar en una cacerola pequeña. Cocine a fuego lento para disolver el azúcar. Enfríe.
2. Mezcle los ingredientes en un tazón de mezcla, procesadora o licuadora.
3. Siga las instrucciones estándar de la pág. 37.

Nieve de limón

Ingredientes:

- 1 1/2 taza de limonada concentrada helada
- 4 1/2 tazas de leche
- 3/4 de taza de azúcar
- 3 cucharadas de cáscara de limón rallada
- 1 clara de huevo (grande)

Método:

1. Combine todos los ingredientes y revuelva hasta que el azúcar se disuelva y la mezcla se vea cortada.
2. Siga las instrucciones estándar de la pág. 37.

Sándwiches de helado

Ingredientes:

Galletas precocinadas -2 por sándwich, elija galletas grandes de 2 1/2 a 3" de diámetro y de textura blanda para obtener mejores resultados. Congele las galletas antes de llenarlas. Llenado – Prepare el helado a elección. Endurézcalo en el congelador antes de armar los sándwiches.

Armado

Esparza una capa de alrededor de 1/2" de grosor de helado en una galleta. Cúbrala con una segunda galleta. Si lo desea, pase los sándwiches por coco tostado o espolvoréelos con él.

Almacenamiento

Envuelva cada galleta helada por separado y congélela.

Ice Cream Maker

Mango congelado sin lácteos bajo en grasa

Ingredientes:

- 4 ½ tazas de leche en polvo no láctea
- 6 onzas (170 g.) de sustituto de huevo
- 2 ¼ cucharada de gelatina sin sabor
- 2 ¼ tazas de puré de mango muy maduro
- 1 ¼ tazas de azúcar
- 1 ½ cucharada de vainilla

Método:

1. En una cacerola pequeña, espolvoree la gelatina en 2 ½ tazas de leche en polvo no láctea. Caliente la mezcla (no deje que hierva) para disolver la gelatina y revuelva si es necesario.
2. Agregue el resto de los ingredientes y mezcle bien en una licuadora o procesadora de alimentos.
3. Enfríe por completo.
4. Siga las instrucciones estándar de la pág. 37.

Frutillas congeladas sin leche bajas en grasa

Ingredientes:

- 4½ tazas de leche en polvo no láctea
- 6 onzas (170 g.) de sustituto de huevo
- 2 ¼ cucharada de gelatina sin sabor
- 2 ¼ tazas de frutillas pisadas
- 1 ¼ tazas de azúcar
- 1 ½ cucharada de vainilla

Método:

1. En una cacerola pequeña, espolvoree la gelatina en 2 ¼ tazas de leche en polvo no láctea. Caliente la mezcla (no deje que hierva) para disolver la gelatina y revuelva si es necesario.
2. Agregue el resto de los ingredientes y mezcle bien en una licuadora o procesadora de alimentos.
3. Enfríe por completo.
4. Siga las instrucciones estándar de la pág. 37.

Nieve de piña colada

Ingredientes:

- 1 ½ tazas de leche
- 1 taza de piña pisada
- 2 cucharadas de leche seca sin grasa
- 2 cucharadas de ron oscuro
- 1 taza de leche de coco
- Una pizca de sal
- 1 lata (10 onzas/ 280 g.) de mezcla de piña colada, en particular descongelada

Método:

1. En una licuadora o procesadora de alimentos, combine los ingredientes hasta que se disuelva la leche.
2. Cubra y enfríe por completo.
3. Siga las instrucciones estándar de la pág. 37.

Hielo de piña

Ingredientes:

- Lata de 12 onzas (340 g.) de piña concentrada congelada
- 3 tazas de agua
- 1 taza de azúcar

Método:

1. Combine el azúcar y el agua en una cacerola pequeña. Cocine a fuego lento para disolver el azúcar. Enfríe.
2. Mezcle todos los ingredientes en un tazón de mezcla, procesadora o licuadora.
3. Siga las instrucciones estándar de la pág. 37.

Helado de pistacho

Ingredientes:

- 1 taza de pistachos con cáscara y sin sal
- 4 onzas (113 g.) de sustituto de huevo
- 1 ¼ tazas de azúcar
- 3 tazas de crema batida
- 1 ½ tazas de leche
- ¾ de cucharada de extracto de almendra
- 1 ½ cucharadas de extracto de vainilla

Método:

1. En una licuadora o procesadora, combine las nueces, el huevo y la leche.
2. Licue hasta que las nueces estén finamente picadas.
3. Agregue el resto de los ingredientes y siga mezclando.
4. Siga las instrucciones estándar de la pág. 37.

Variación:

1. Sustituya los pistachos por pacanas o nueces de Castilla.
2. Sustituya el azúcar por 1 taza de jarabe de arce.

Raspberry Ice Cream

Ingredientes:

- 3 ½ tazas de crema de leche
- 1 ½ tazas de mezcla de leche y crema o de leche
- 1 ½ tazas de azúcar
- 6 onzas (170 g.) de sustituto de huevo
- 1 ½ cucharada de vainilla
- 1 ½ tazas de frambuesas pisadas

Método:

1. Combine los huevos, el azúcar y la vainilla en un tazón de mezcla y bata bien.
2. Bata las frambuesas pisadas.
3. Agregue la mezcla de leche y crema (o la leche).
4. Bata bien y deje enfriar por completo.
5. Siga las instrucciones estándar de la pág. 37.

NOTA: Puede sustituir las frambuesas por frutillas, arándanos o moras.

Ice Cream Maker

Helado de torta de queso de frutilla

Ingredientes:

- ½ taza de mezcla de leche y crema (o de leche)
- 8 onzas (226 g.) de queso crema
- 2 tazas de crema de leche
- 1 ½ cucharada de vainilla
- 4 onzas (113 g.) de sustituto de huevo
- ¾ a 1 taza de frutillas pisadas
- 1 taza de azúcar

Method:

1. Bata los huevos y el azúcar en una batidora, licuadora o procesadora hasta que estén espesos y color crema.
2. Agregue la leche, la crema, la vainilla y el queso crema. Mezcle por completo.
3. Agregue las frutillas y mezcle bien.
4. Siga las instrucciones estándar de la pág. 37.

Helado de nuez de Castilla negra sin azúcar

Ingredientes:

- 3 tazas de crema de leche
- Una pizca de sal
- 1 ½ tazas de mezcla de leche y crema
- 6 onzas (170 g.) de sustituto de huevo
- 7 ½ cucharadas de endulzante (o a gusto)
- 1 ½ cucharada de vainilla
- ¾ de taza de nuez de Castilla negra picada fina*
- ½ cucharada de extracto de nuez de Castilla negra o 2 a 3 gotas de extracto de almendra

Method:

1. Mezcle todos los ingredientes en un procesador de alimentos o licuadora, excepto las nueces.
2. Mezcle por completo.
3. Cubra y enfríe por completo.
4. Siga las instrucciones estándar de la pág. 37.
5. Agregue las nueces al final del proceso de congelamiento.

* Se puede reemplazar por almendras tostadas, pecanas, avellanas y nueces de macadamia.

Helado de agua sabor frambuesa sin azúcar

Ingredientes:

- 2¼ tazas de leche
- 4 ½ tazas de frambuesas pisadas
- ⅔ de cucharada de leche seca sin grasa
- ¾ cucharadas de endulzante
- 2 ¼ cucharada de gelatina sin sabor
- 3 cucharadas de triple seco o Grand Marnier o
- 1 ½ cucharadas de cáscara de naranja + 4 ½ cucharadas de jugo de naranja

Method:

1. In a small saucepan, add milk, sprinkle gelatin over surface to soften. Warm slightly until gelatin is dissolved, stirring if necessary.
2. Add dry milk and mix thoroughly. Add remaining ingredients. Mix completely.
3. Chill thoroughly.
4. Follow standard instructions on pg. 37.

Note: Because of the addition of the alcohol, it is necessary to be sure the mix is well chilled before placing in the ice cream maker, and freezing canister is as close to -20°F as possible.

SERVICIO AL CLIENTE

Si tiene alguna pregunta o problema sobre la operación de Ice Cream Maker Deni, llame a nuestro departamento de servicio al cliente a la línea gratuita:

de lunes a viernes
de 8:30 a 17:00
(horario del este)

1-800-DENI-822
www.deni.com

Deni by Keystone Manufacturing Company, Inc.®

UN AÑO DE GARANTÍA

Su Ice Cream Maker Deni está cubierta por una garantía de un año, a partir de la fecha de compra o recepción, contra cualquier defecto de materiales o fabricación. En caso de que su electrodoméstico tenga algún defecto dentro del año posterior a la fecha de compra o de recepción, devuelva la unidad, con envío prepago, junto con una explicación sobre el reclamo. Si lo compró en Estados Unidos u otro país, sírvase enviarla a: Keystone Manufacturing Company, Inc. 800 Hertel Ave, Buffalo, NY 14207. (Por favor, empaque su electrodoméstico con cuidado en su caja y material de embalaje originales para evitar que sufra daños durante el transporte. Keystone no se hace responsable por ningún daño que sufra el electrodoméstico durante el envío de devolución.) De acuerdo con esta garantía, Keystone Manufacturing Company, Inc. se compromete a reparar o reemplazar cualquier componente que se considere defectuoso.

Esta garantía sólo es válida si el electrodoméstico se utiliza con exclusivos fines domésticos según las instrucciones. Esta garantía no tiene validez si la unidad se conecta a un suministro eléctrico inapropiado o si se la desmonta o se interfiere con ella de manera alguna o si se la daña por su uso inadecuado.

Le pedimos que por favor complete los detalles de su tarjeta de garantía y la devuelva dentro de la semana posterior a la fecha de compra o recepción.

Esta garantía le da derechos legales específicos. También puede gozar de otros derechos que varíen de un estado o provincia a otro.

Free Manuals Download Website

<http://myh66.com>

<http://usermanuals.us>

<http://www.somanuals.com>

<http://www.4manuals.cc>

<http://www.manual-lib.com>

<http://www.404manual.com>

<http://www.luxmanual.com>

<http://aubethermostatmanual.com>

Golf course search by state

<http://golfingnear.com>

Email search by domain

<http://emailbydomain.com>

Auto manuals search

<http://auto.somanuals.com>

TV manuals search

<http://tv.somanuals.com>