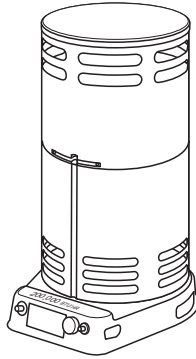


DESA™

HEATING PRODUCTS

PROPANE CONSTRUCTION CONVECTION HEATER OWNER'S MANUAL



**VARIABLE 30-80,000 BTU/HR
75-200,000 BTU/HR**

IMPORTANT: Read and understand this manual before assembling, starting or servicing heater. Improper use of heater can cause serious injury. Keep this manual for future reference.

⚠ GENERAL HAZARD WARNING:

Failure to comply with the precautions and instructions provided with this heater, can result in death, serious bodily injury and property loss or damage from hazards of fire, explosion, burn, asphyxiation, carbon monoxide poisoning, and/or electrical shock.

Only persons who can understand and follow the instructions should use or service this heater.

If you need assistance or heater information such as an instructions manual, labels, etc. contact the manufacturer.

TABLE OF CONTENTS


Safety Information	2	Maintenance	6
Unpacking	3	Technical Services.....	6
Theory of Operation	3	Replacement Parts	6
Product Identification	3	Accessories	6
Ventilation	3	Specifications	7
Propane Supply	4	Troubleshooting	7
Installation	4	Illustrated Parts Breakdown and Parts List.....	8
Operation	5	Warranty and Repair Service	Back Cover
Storage	6		


Save this manual for future reference.

For more information, visit www.desatech.com

Download from www.Somanuals.com. All Manuals Search And Download.

SAFETY INFORMATION

 **WARNING: This product contains and/or generates chemicals known to the State of California to cause cancer or birth defects, or other reproductive harm.**

 **WARNING: Fire, burn inhalation, and explosion hazard. Keep solid combustibles, such as building materials, paper or cardboard, a safe distance away from the heater as recommended by the instructions. Never use the heater in spaces which do or may contain volatile or airborne combustibles, or products such as gasoline, solvents, paint thinner, dust particles or unknown chemicals.**

 **WARNING: Not for home or recreational vehicle use.**

The heater is designed for use as a construction heater in accordance with ANSI Z83.7/CGA 2.14. Other standards govern the use of fuel gases and heating products for specific uses. Your local authority can advise you about these. The primary purpose of construction heaters is to provide temporary heating of buildings under construction, alteration or repair. Properly used, the heater provides safe economical heating. Products of combustion are vented into the area being heated.

We cannot foresee every use which may be made of our heaters. **CHECK WITH YOUR LOCAL FIRE SAFETY AUTHORITY IF YOU HAVE QUESTIONS ABOUT HEATER USE.**

Other standards govern the use of fuel gases and heat producing products for specific uses. Your local authorities can advise you about these.

Carbon Monoxide Poisoning: Some people are more affected by carbon monoxide than others. Early signs of carbon monoxide poisoning resemble the flu, with headaches, dizziness, and/or nausea. If you have these signs, the heater may not be working properly. **Get fresh air at once!** Check for proper ventilation and have heater serviced.

Propane Gas: Propane gas is odorless. An odor-making agent is added to propane gas. The odor helps you detect a propane gas leak. However, the odor added to propane gas may fade. Propane gas may be present even though no odor exists.

Make certain you read and understand all warnings. Keep this manual for reference. It is your guide to safe and proper operation of this heater.

1. Install and use heater with care. Follow all local ordinances and codes. In the absence of local ordinances and codes, refer to the *Standard for Storage and Handling of Liquefied Petroleum Gas, ANSI/NFPA 58 and the Natural Gas Installation Code, CAN/CGA B149.2*. This instructs on the safe storage and handling of propane gases.
2. This product has been approved for use in the Commonwealth of Massachusetts.
3. Use only propane gas set up for vapor withdrawal.
4. Provide adequate ventilation. Before using heater, provide at least a 2.5 square foot (0.232 m²) (80,000 btu heaters) or 6.0 square foot (0.557 m²) (200,000 btu heaters) opening of fresh, outside air.
5. For indoor use only. Do not use heater outdoors.
6. Keep heater away from strong drafts, wind, water spray, rain, or dripping water.
7. Do not use heater in occupied dwellings or in living or sleeping quarters.
8. Do not use heater in a basement or below ground level. Propane gas is heavier than air. If a leak occurs, propane gas may sink to the lowest possible level.
9. Keep appliance area clear and free from combustible materials, gasoline, paint thinner, and other flammable vapors and liquids. Dust is combustible. Do not use heater in areas with high dust content.
10. Minimum heater clearances from combustibles:
80,000 Btu heaters
Sides: 3 feet (91 cm); Top: 6 feet (1,83 m)
100-200,000 Btu heaters
Sides: 3 feet (91 cm); Top: 7 feet (2,1 m)
11. Keep heater at least six feet (1,83 m) from propane tank(s).
12. Keep propane tank(s) below 100° F (37,8°C).
13. Use only the hose and factory preset regulator provided with the heater.
14. Check heater for damage before each use. Do not use a damaged heater.

SAFETY INFORMATION

Continued

15. Check hose before each use of heater. If highly worn or cut, replace with hose specified by manufacturer before using heater.
16. Do not alter heater. Keep heater in its original state.
17. Do not use heater if altered.
18. Locate heater on stable and level surface if heater is hot or operating.
19. Not intended for use on finished floors.
20. Never block air inlet (bottom of shell) or air outlet (around top of shell) of heater.
21. Do not leave heater unattended.
22. Keep children and animals away from heater.
23. Never move, handle, or service a hot or operating heater. Severe burns may result. You must wait 15 minutes after turning heater off.
24. To prevent injury, wear gloves when handling heater.
25. Never attach duct work to heater.
26. Turn off propane supply to heater when not in use.
27. Use only original replacement parts. This heater must use design-specific parts. Do not substitute or use generic parts. Improper replacement parts could cause serious or fatal injuries.

UNPACKING

1. Remove all packing items applied to heater for shipment. Keep plastic cover caps (attached to inlet connector and hose/regulator assembly) for storage.
2. Remove all items from carton.
3. Check all items for shipping damage. If heater is damaged, promptly inform dealer where you bought heater.

THEORY OF OPERATION

The Fuel System: The hose/regulator assembly attaches to the propane gas supply. This provides fuel to the heater.

The Ignition System: The piezo ignitor lights the pilot.

The Automatic Control System: This system causes the heater to shut down if the flame goes out.

PRODUCT IDENTIFICATION

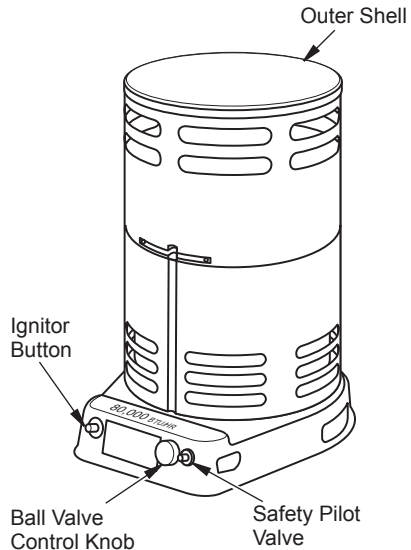


Figure 1 - 80,000 Btu Model Shown

VENTILATION

⚠ WARNING: Provide at least a 2.5 square foot (0.23 m²) opening of fresh, outside air while running heater. If proper fresh, outside air ventilation is not provided, carbon monoxide poisoning can occur. Provide proper fresh, outside air ventilation before running heater.

PROPANE SUPPLY

You must provide propane gas and propane tank(s).

Use this heater only with a propane vapor withdrawal supply system. See Chapter 5 of the *Standard for Storage and Handling of Liquefied Petroleum Gas, ANSI/NFPA 58 and/or CAN/CGA B149.2*. Your local library or fire department will have this booklet.

This heater will operate with a 20-pound (9,07 kg) propane tank. However, you can only operate it in the LOW position during mildly cool weather. At higher heat settings or during colder weather, you must use larger tanks.

The amount of propane gas ready for use from propane tanks varies. Two factors decide this amount.

1. The amount of propane gas in tank(s)
2. The temperature of tank(s)

The chart below shows the minimum number of 100-pound (45 kg) tanks needed to run the heater. Connect tanks together with a manifold.

Average Temperature °F(°C) At Tank Location	Number Of Tanks
(80,000 Btu models)	
20° (-6.7°) to 60° (15.6°)	1
0° (-17.8°) to 20° (-6.7°)	2
(200,000 Btu models)	
20° (-6.7°) to 60° (15.6°)	2
0° (-17.8°) to 20° (-6.7°)	3

Less gas is vaporized at lower temperatures. Your local propane gas dealer will help you select the proper supply system.

INSTALLATION

WARNING: Review and understand the warnings in the *Safety Information* section, page 2. They are needed to safely operate this heater. Follow all local codes when using this heater.

CAUTION: Never ignite and/or run this heater unless the shells are fully extended and locked into position.

OUTER SHELL

IMPORTANT: When the heater is first removed from carton, the outer shell is in the down position. Protect hands before lifting outer shell. Never grasp bare metal without hand protection.

1. Care must be taken to protect hands during this step. Lift outer shell straight up as shown in Figure 2, until all three clips engage slots in lower shell. Screw holes will line up at this point.
2. Lock clips into place with 3 screws as shown in Figure 2. The heater must not be operated unless the outer shell is properly extended and fully locked into place.

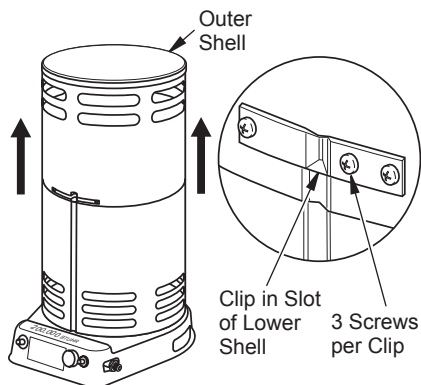


Figure 2 - Lifting Outer Shell

CONNECTING TO GAS SUPPLY

WARNING: Test all gas piping and connections for leaks after installation or servicing. Never use an open flame to check for a leak. Apply a mixture of liquid soap and water to all joints. Bubbles forming show a leak. Correct all leaks at once.

1. Provide propane supply system (see *Propane Supply*, page 4).
2. Connect fuel gas fitting on hose/regulator assembly to propane tank(s). Turn fuel gas fitting counterclockwise into threads on tank. Tighten firmly using a wrench. **IMPORTANT:** Tighten regulator with vent pointing down. Pointing vent down protects regulator from weather damage.
3. Connect hose to the valve inlet. Tighten firmly using a wrench. You must use the regulator supplied with heater even if propane tank has one.

INSTALLATION

Continued

4. Open propane supply valve on propane tank(s) slowly. **Note:** If not opened slowly, excess-flow check valve on propane tank may stop gas flow. If this happens, you may hear a click inside the regulator assembly, this is the check valve closing. To reset the excess flow check valve, close propane supply valve and open again slowly.
5. Check all connections for leaks. Apply mixture of liquid soap and water to gas joints. Bubbles forming show a leak that must be corrected.

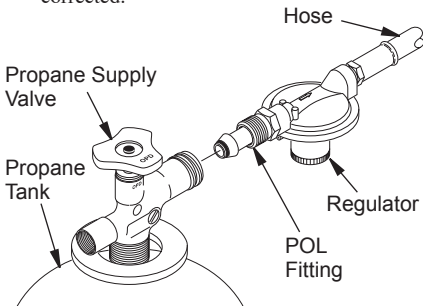


Figure 3 - Regulator Position

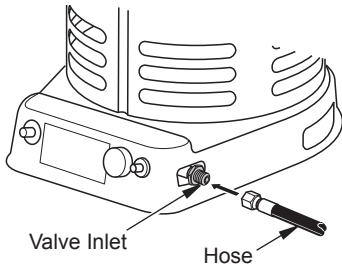


Figure 4 - Hose and Valve Inlet

OPERATION

WARNING: Review and understand the warnings in the *Safety Information* section, page 2. They are needed to safely operate this heater. Follow all local codes when using this heater.

TO START HEATER

1. Before lighting pilot fully close the ball valve (turn knob fully clockwise).

2. Fully open the valve on the propane cylinder and wait 15 seconds before proceeding to step 3.
3. Depress red button on safety pilot valve admitting gas to the heater. Then push and release the ignitor button until the pilot lights.
4. When the pilot lights, continue to hold the button depressed for 30 seconds, then release.
5. If pilot goes out, wait 5 minutes and repeat the lighting procedure.
6. When the pilot remains lit, open the ball valve (turn knob counterclockwise) to light main burner. Partially close valve to regulate heat output.

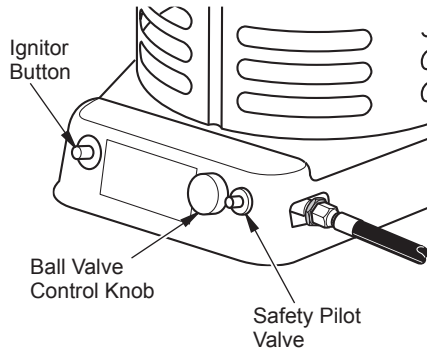


Figure 5 - Starting Heater

TO STOP HEATER

1. Securely close valve on the propane cylinder.
2. Continue to operate heater until all fuel in the hose has burned.
3. Fully close the ball valve.

TO RESTART HEATER


1. Securely close valve at propane cylinder.
2. Wait 5 minutes.
3. Restart following *To Start Heater* procedure on page 5.

STORAGE

 **CAUTION: Disconnect heater from propane supply tank(s).**

1. The heater should be inspected before each use, and at least annually by a qualified person.
2. Before each use, check the soft "O" ring seat at the bullnose of the POL fitting. If the "O" ring is cut, scuffed, or otherwise damaged, replace the POL fitting with part number LPA4020.
3. Turn off the gas at the propane/LP gas supply cylinder(s) when the heater is not in use.
4. When the heater is to be stored indoors, the connection between the propane/LP gas supply cylinder(s) and the heater must be disconnected and the cylinder(s) removed from the heater and stored outdoors and in accordance with Chapter 5 of the *Standard for Storage and Handling of Liquefied Petroleum Gases ANSI/NFPA 58 and CSA B149.1, Natural Gas and Propane Installation Code*.
5. Store in a dry, clean, and safe place.

MAINTENANCE

 **WARNING: Never attempt to service heater while it is connected to propane supply, operating, or hot. Severe burns can occur.**


1. Keep heater clean.
2. Inspect heater before each use. Check connections for leaks. Apply mixture of liquid soap and water to connections. Bubbles forming show a leak that must be corrected. Correct all leaks at once.
3. Inspect hose/regulator assembly before each use. If hose is highly worn or cut, replace.
4. Have heater inspected yearly by a qualified service person.

TECHNICAL SERVICES

You may have further questions about this heater. If so, contact DESA Heating Products' Technical Service Department at 1-866-672-6040. When calling, please have your model and serial numbers of your heater ready.

You can also visit DESA Heating Products' Technical Service web site at www.desatech.com.

REPLACEMENT PARTS

 **WARNING: Use only original replacement parts. This heater must use design-specific parts. Do not substitute or use generic parts. Improper replacement parts could cause serious or fatal injuries. This will also protect your warranty coverage for parts replaced under warranty.**

PARTS UNDER WARRANTY

Contact authorized dealers of this product. If they can't supply original replacement part(s), either contact your nearest Parts Central or call DESA Heating Products' Technical Service Department at 1-866-672-6040.

When calling DESA Heating Products, have ready

- your name
- your address
- model number of your heater
- how heater was malfunctioning
- purchase date

PARTS NOT UNDER WARRANTY

Contact authorized dealers of this product. If they can't supply original replacement part(s), either contact your nearest Parts Central (listed in Authorized Service Center booklet) or call DESA Heating Products at 1-866-672-6040 for referral information.

When calling DESA Heating Products, have ready

- model number of your heater
- the replacement part number

ACCESSORIES

Purchase heater accessories and parts from your nearest dealer or service center. If they can not supply an accessory or part, either contact your nearest Parts Central (listed in the separate Authorized Service Center booklet) or call DESA Heating Products' at 1-866-672-6040. You can also write to the address listed on the back page of this manual.

SPECIFICATIONS

	80,000 Btu	200,000 Btu
Type of Gas	Propane/LP Only	Propane/LP Only
Gas Supply Pressure to regulator		
Maximum	Bottle Pressure	Bottle Pressure
Minimum	5 psig (34.5 kPa)	15 psig (103 kPa)
Gas Supply Pressure regulator out	11" W.C. (2.74 kPa)	10 psig (68.9 kPa)
Ignition	Piezo Ignitor	Piezo Ignitor
Minimum Ambient Temp. Rating	0°F (-17.8°C)	0°F (-17.8°C)
Rating	30,000 - 80,000 Btu/hr (8.79 - 23.4 kW)	75,000 - 200,000 Btu/hr (22.0 - 58.6 kW)
Fuel Consumption	1.4 to 3.7 lb/hr (.74 - 1.80 kg/hr)	3.5 - 0.3 lb/hr (1.44 - 4.32 kg/hr)
Fuel Orifice Port No.	6	6
Fuel Orifice Port Size	0.0472" (1.20mm)	0.0320" (.813mm)

TROUBLESHOOTING

⚠ WARNING: Never service heater while it is plugged in, connected to propane supply, operating, or hot. Severe burns and electrical shock can occur.

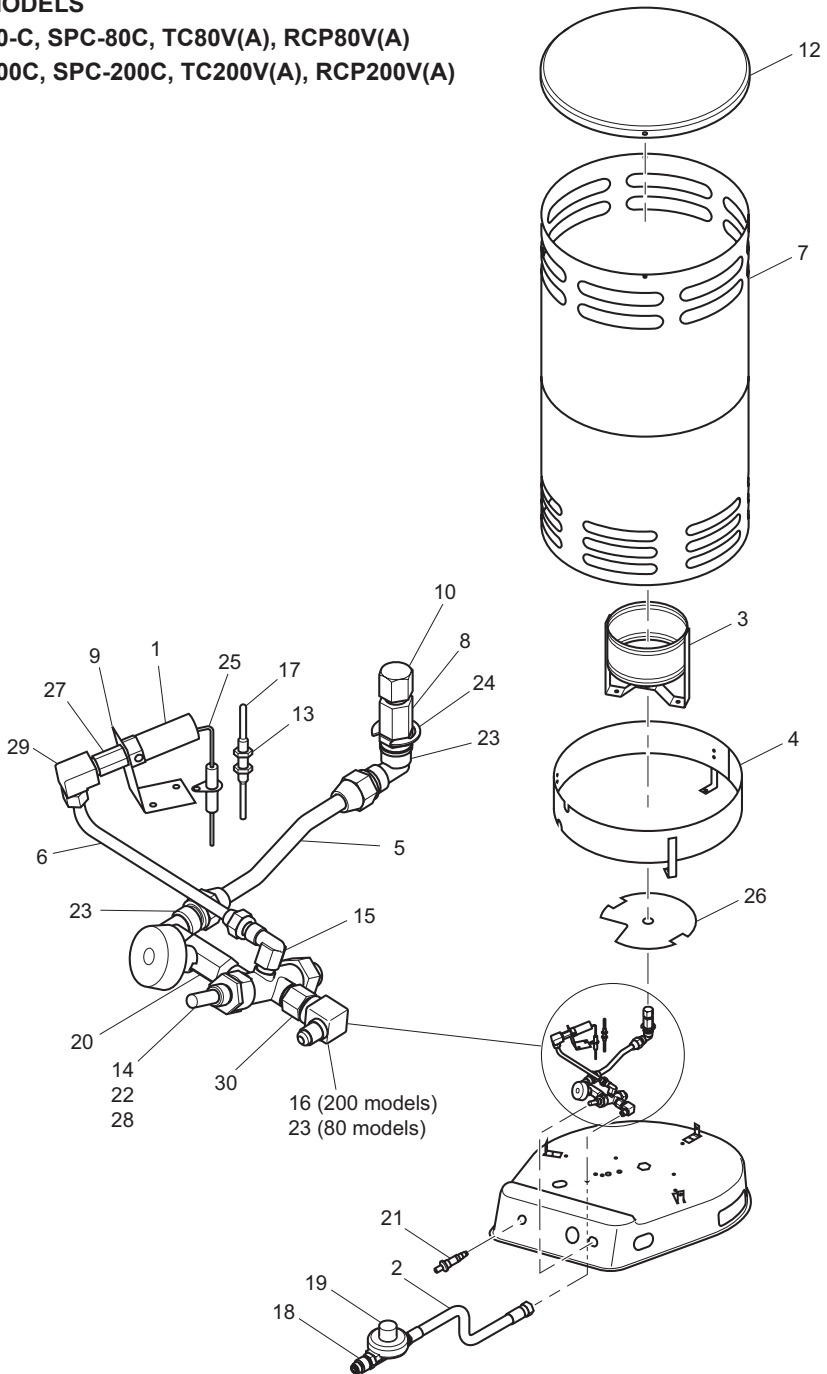
OBSERVED FAULT	POSSIBLE CAUSE	REMEDY
Burner fails to light	1. Propane supply valve closed on propane tank(s)	1. Open propane supply valve slowly
	2. Excess flow check valve closed	2. Close propane supply valve on propane tank and reopen slowly
	3. Blockage in burner orifice	3. Replace burner orifice
	4. Piezo ignition system not sparking	4. Check to assure ignitor electrode gap is .195" Check wire lead for damage. Replace piezo ignitor and/or ignitor electrode as necessary
	5. Pilot orifice clogged	5. Clean or replace pilot assembly
Pilot lights but goes out when automatic control valve button is released	1. Not enough warm up time	1. Relight, hold automatic control valve button in 45 seconds
	2. Low gas pressure	2. Check propane tank(s) for proper gas supply
	3. Thermocouple loose or needs to be replaced	3. Tighten connection or replace thermocouple
	4. Automatic control valve needs to be replaced	4. Replace automatic control valve
Burn rate is low	1. Control valve is on LOW	1. Turn valve counter clockwise to HIGH
	2. Plugged gas orifice	2. Replace gas orifice
	3. Low gas pressure	3. Check gas supply; check regulator output
	4. Low fuel supply	4. Consult propane gas supplier

ILLUSTRATED PARTS BREAKDOWN

MODELS

80-C, SPC-80C, TC80V(A), RCP80V(A)

200C, SPC-200C, TC200V(A), RCP200V(A)



PARTS LIST

MODELS

80-C, SPC-80C, TC80V(A), RCP80V(A)
200C, SPC-200C, TC200V(A), RCP200V(A)

This list contains replaceable parts used in your heater. When ordering parts, follow the instructions listed under *Replacement Parts* on page 6 of this manual.

KEY NO.	PART NUMBER		DESCRIPTION	QTY.
	80,000 Btu	200,000 Btu		
1	113775-01	113814-01	Pilot Assembly	1
2	113776-01	113815-01	Hose Assembly, 10 foot	1
3	113777-01	113777-01	Burner Ring Assembly	1
4	113778-01	113778-01	Ring Shield	1
5	113779-01	113779-01	Fuel Tube Assembly	1
6	113780-01	113780-01	Pilot Tube Assembly	1
7	113781-01	113781-01	Upper Shell	1
8	113782-01	113782-01	Orifice Adapter	1
9	113783-01	113783-01	Bracket, Pilot Mounting	1
10	113784-01	113784-01	Orifice, LP	1
11	113346-01	113346-01	Base	1
12	113785-01	113875-01	Cap	1
13	113786-01	113876-01	Thermocouple Clip	1
14	113787-01	113787-01	Control Valve	1
15	113788-01	113788-01	Female Elbow Fitting, 1/4 FLR x 1/8 FPT	1
16	113789-01	113789-01	Female Elbow Fitting, 1/4 FLR x 1/4 FPT	1
17	113790-01	113790-01	Thermocouple	1
18	113791-01	113818-01	POL, Excess Flow	1
19	113792-01	113819-01	Regulator	1
20	113793-01	113793-01	Ball Valve	1
21	102445-01	102445-01	Piezo Ignitor	1
22	113794-01	113794-01	Valve Nut, 1/2-28	1
23	113795-01	113795-01	Female Elbow Fitting, 1/4 FPTx 3/8 FLR	3
24	113796-01	113796-01	Retaining Ring	1
25	113797-01	113797-01	Ignitor Electrode	1
26	113798-01	113798-01	Heat Shield	1
27	113799-01	113799-01	Pilot Orifice	1
28	113800-01	113800-01	Washer, Flat	1
29	113801-01	113801-01	Elbow Fitting, 1/8 FPT x 1/4 CPSN	1
30	113825-01	113821-01	Lower Shell	1
PARTS AVAILABLE - NOT SHOWN				
	113809-01	113809-01	Ball Valve Knob	1
	113810-01	113810-01	Ball Valve Knob Insert	1
	113822-01	113822-03	Tradename Decal [RCP80V(A), RCP200V(A)]	1
	113822-02	113822-04	Tradename Decal [TC80V(A), TC200V(A)]	1
	113822-05	113822-07	Tradename Decal (SPC-80C, SPC-200C)	1
	113822-06	113822-08	Tradename Decal (80-C, 200C)	1
	113808-04	113808-01	Hang Tag (English)	1
	113808-05	113808-02	Hang Tag (Spanish)	1
	113808-06	113808-03	Hang Tag (French)	1
	113805-01	113805-01	Installation Decal (English)	1
	113805-02	113805-02	Installation Decal (Spanish)	1
	113805-03	113805-03	Installation Decal (French)	1
	113802-01	113802-02	Model Decal (80-C, SPC-80C, 200C, SPC-200C)	1
	113802-09	113802-10	Model Decal (RCP80VA, TC80VA, RCP200VA, TC200VA)	1

WARRANTY AND REPAIR SERVICE

KEEP THIS WARRANTY

Model _____

Serial No. _____

Date of Purchase _____

LIMITED WARRANTY

DESA Heating Products warrants this product and any parts thereof, to be free from defects in materials and workmanship for one (1) year from the date of first purchase when operated and maintained in accordance with instructions. This warranty is extended only to the original retail purchaser, when proof of purchase is provided.

This warranty covers only the cost of parts and labor required to restore the product to proper operating condition. Transportation and incidental costs associated with warranty repairs are not reimbursable under this warranty.

Warranty service is available only through authorized dealers and service centers.

This warranty does not cover defects resulting from misuse, abuse, negligence, accidents, lack of proper maintenance, normal wear, alteration, modification, tampering, contaminated fuels, repair using improper parts, or repair by anyone other than an authorized dealer or service center. Routine maintenance is the responsibility of the owner.

THIS EXPRESS WARRANTY IS GIVEN IN LIEU OF ANY OTHER WARRANTY EITHER EXPRESSED OR IMPLIED, INCLUDING WARRANTIES OR MERCHANTABILITY AND FITNESS FOR A PARTICULAR PURPOSE.

DESA Heating Products assumes no responsibility for indirect, incidental or consequential damages. Some states do not allow the exclusion or limitation of incidental or consequential damages, or limitations or exclusions may not apply to you. This Limited Warranty gives you specific legal rights and you may also have other rights which vary from state to state.

This warranty does not cover discoloration due to operation of heater. We reserve the right to amend these specifications at any time without notice. The only warranty applicable is our standard written warranty. We make no other warranty, expressed or implied.

WARRANTY SERVICE

Should your heater require service, return it to your nearest authorized service center. Proof of purchase must be presented with the heater. The heater will be inspected. A defect may be caused by faulty materials or workmanship. If so, DESA Heating Products will repair or replace the heater without charge.

REPAIR SERVICE

Return your heater to your nearest authorized service center. Repairs not covered by the warranty will be billed at standard prices. Each Service Center is independently owned and operated. We reserve the right to amend these specifications at any time without notice.

For more information write:

DESA[™]
HEATING PRODUCTS

2701 Industrial Drive

P.O. Box 90004

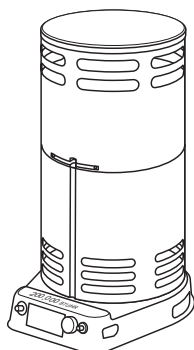
Bowling Green, KY 42102-9004

ATTN: Customer Service Department

DESA™

HEATING PRODUCTS

CALENTADOR DE CONVECCIÓN PARA CONSTRUCCIÓN DE PROPANO MANUAL DEL PROPIETARIO



VARIABLE 30-80.000 BTU/H
75-200.000 BTU/H

IMPORTANTE: Lea y comprenda este manual antes de ensamblar, encender o dar servicio al calentador. El uso inadecuado del calentador puede causar lesiones graves. Conserve este manual para referencias futuras.

⚠ ADVERTENCIA GENERAL DE PELIGRO:

No cumplir con las precauciones e instrucciones proporcionadas con este calentador puede causar la muerte, lesiones físicas graves y pérdidas o daños a la propiedad debido al peligro de incendio, explosión, quemaduras, asfixia, intoxicación con monóxido de carbono y/o choques eléctricos.

Únicamente las personas que puedan entender y seguir las instrucciones deberán usar o dar servicio a este calentador.

Si necesita ayuda o información sobre el calentador, como manuales de instrucciones, etiquetas, etc., comuníquese con el fabricante.

TABLA DE CONTENIDO

Información de seguridad	2	Mantenimiento	6
Desempaque	3	Servicios técnicos	6
Teoría del funcionamiento	3	Piezas de repuesto	6
Identificación del producto	3	Accesorios	6
Ventilación	3	Especificaciones	7
Suministro de propano	4	Solución de problemas	7
Instalación	4	Clasificación ilustrada de piezas y lista de piezas ..	8
Funcionamiento	5	Garantía y servicio de reparación	12
Almacenamiento	6		

Guarde este manual para futuras referencias.

Para obtener mayor información, visite el sitio www.desatech.com

Download from www.Somanuals.com. All Manuals Search And Download.

INFORMACIÓN DE SEGURIDAD

⚠ ADVERTENCIA: Este producto contiene y/o genera químicos que el Estado de California reconoce que causan cáncer, defectos de nacimiento u otros daños relacionados con la reproducción.

⚠ ADVERTENCIA: Peligro de incendio, quemaduras, inhalación y explosión. Mantenga los combustibles sólidos, como materiales de construcción, papel o cartón a una distancia segura del calentador según se recomienda en las instrucciones. Nunca use el calentador en espacios que contengan o podrían contener combustibles volátiles o transportados por aire o productos como gasolina, solventes, diluyente de pintura, partículas de polvo o químicos desconocidos.

⚠ ADVERTENCIA: No usar en residencias ni en vehículos recreativos.

El calentador está diseñado para utilizarse como calentador para construcción de acuerdo con el estándar ANSI Z83.7•CGA2.2.14. Otras normas rigen el uso de gases combustibles y productos de calefacción para usos específicos. La autoridad local puede informarle acerca de éstas. El propósito principal de los calentadores para construcción es proporcionar calefacción temporal a edificios en construcción, modificación o reparación. Cuando se usa correctamente, el calentador proporciona calefacción económica y segura. Los productos de combustión se ventilan al área que se está calentando.

No podemos prever todos los usos que se les pueden dar a nuestros calentadores. **CONSULTE A LA AUTORIDAD LOCAL DE SEGURIDAD CONTRA INCENDIOS SI TIENE PREGUNTAS ACERCA DEL USO DE CALENTADORES.**

Otras normas rigen el uso de gases combustibles y productos que producen calor para usos específicos. Las autoridades locales pueden informarle sobre estos.

Intoxicación con monóxido de carbono: algunas personas sufren mayores efectos del monóxido de carbono que otras. Los primeros signos de intoxicación con monóxido de carbono se asemejan a los

de la gripe, con dolor de cabeza, mareo y/o náusea. Si usted presenta estos síntomas, es posible que el calentador no esté funcionando correctamente. **¡Respire aire fresco inmediatamente!** Compruebe que haya ventilación adecuada y haga que reparen el calentador.

Gas propano: el gas propano es inodoro. Al gas propano se le agrega un agente oloroso. El olor le ayuda a detectar las fugas de gas propano. Sin embargo, el olor que se añade al gas propano puede desvanecerse. Es posible que haya gas propano presente aunque no haya ningún olor.

Asegúrese de leer y comprender todas las advertencias. Conserve este manual para referencia. Es su guía para la operación segura y correcta de este calentador.

1. Instale y use el calentador cuidadosamente. Siga las ordenanzas y los códigos locales. A falta de ordenanzas y códigos locales, consulte la *Norma de almacenamiento y manejo de gas licuado de petróleo, ANSI/NFPA 58* y el *Código de instalación de gas natural, CAN/CGA B149.2*. Ésta proporciona instrucciones acerca del almacenamiento y manejo seguro del propano.
2. Este producto ha sido aprobado para su uso en el Estado de Massachusetts.
3. Use solamente el montaje de gas propano para la extracción de vapores.
4. Proporcione una ventilación adecuada. Antes de usar el calentador, deje una abertura mínima de 2,5 pies cuadrados (0,23 metros cuadrados) (calentadores 80.000 BTU) o 6,0 pies cuadrados (0,56 metros cuadrados) (calentadores 200.000 BTU) para permitir la entrada de aire fresco del exterior.
5. Para uso en interiores solamente. No use el calentador en exteriores.
6. Mantenga el calentador alejado de corrientes fuertes de aire, viento, rocío, lluvia o goteos de agua.
7. No use el calentador en viviendas ocupadas ni en dormitorios o alojamientos.
8. No use el calentador en un sótano ni debajo del nivel del suelo. El gas propano es más pesado que el aire. Si se produce una fuga, el gas propano se puede asentar en el nivel más bajo posible.
9. Mantenga el área cerca del aparato despejada y libre de materiales combustibles, gasolina, diluyentes para pintura y otros vapores y líquidos inflamables. El polvo es combustible. No use el calentador en áreas con un contenido alto de polvo.
10. Distancias mínimas de los combustibles:
Calentadores 80.000 BTU
Laterales: 3 pies (91 cm); Parte superior: 6 pies (1,83 m)
Calentadores 100 -200.000 BTU
Laterales: 3 pies (91 cm); Parte superior: 7 pies (2,1 m)
11. Mantenga el calentador alejado de los tanques de propano a una distancia de al menos seis pies (1,83 m).

INFORMACIÓN DE SEGURIDAD

Continuación

- Mantenga los tanques de propano por debajo de los 37,8° C (100° F).
- Use sólo la manguera y el regulador preinstalado en la fábrica que se incluyen con el calentador.
- Antes de cada uso, verifique si el calentador ha sufrido algún daño. No use un calentador dañado.
- Revise la manguera antes de cada uso del calentador. Si la manguera está muy desgastada o con roturas, reemplácela con una manguera especificada por el fabricante antes de usar el calentador.
- No altere el calentador. Mantenga el calentador en su estado original.
- No use el calentador si éste ha sido alterado.
- Sitúe el calentador en una superficie estable y nivelada si el calentador está caliente o si está funcionando.
- No está diseñado para su uso en pisos terminados.
- Nunca bloquee la entrada de aire (parte inferior de la cubierta) o la salida de aire (alrededor de la parte superior de la cubierta) del calentador.
- No deje el calentador desatendido.
- Evite que los niños y los animales se acerquen al calentador.
- Nunca mueva, maneje o dé servicio a un calentador caliente o en funcionamiento. Pueden producirse quemaduras graves. Debe esperar 15 minutos después de apagar el calentador.
- Para evitar lesiones, use guantes cuando manipule el calentador.
- Nunca fije tubería al calentador.
- Cierre el suministro de gas propano al calentador cuando no se esté usando.
- Use sólo piezas de repuesto originales. Este calentador debe usar piezas diseñadas específicamente. No las sustituya ni use piezas genéricas. El uso de piezas de repuesto inadecuadas puede ocasionar lesiones graves o fatales.

DESEMPAQUE

- Retire todos los elementos de empaque aplicados al calentador para su envío. Mantenga los tapones de plástico (fijados al ensamblaje de manguera-regulador y al conector de entrada) puestos cuando se guarde.
- Saque todos los elementos de la caja.
- Revise todos los elementos para ver si hay daños debidos al transporte. Si el calentador está dañado, informe de inmediato al distribuidor a quien lo compró.

TEORÍA DEL FUNCIONAMIENTO

El sistema de combustible: el ensamblaje de manguera-regulador se fija al suministro de gas propano. Esto proporciona combustible al calentador.

El sistema de encendido: el encendedor piezoeléctrico enciende el piloto.

El sistema de control automático: este sistema ocasiona que el calentador se apague si se extingue la llama.

IDENTIFICACIÓN DEL PRODUCTO

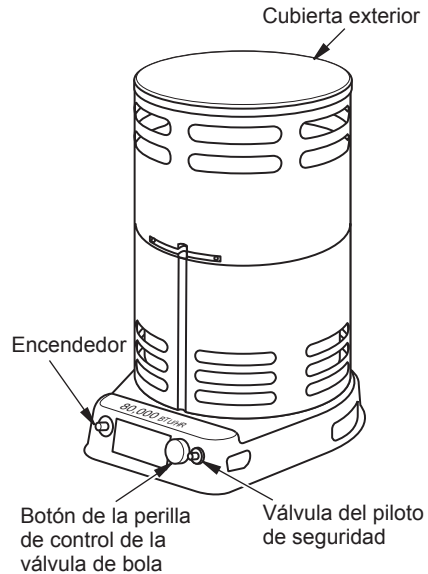


Figura 1. Se muestra el modelo de 80.000 BTU/h

VENTILACIÓN

⚠️ ADVERTENCIA: Procure tener al menos una abertura de aire fresco del exterior de 2,5 pies cuadrados (0,23 metros cuadrados) mientras el calentador está encendido. Si no se procura ventilación de aire fresco del exterior, puede haber una intoxicación con monóxido de carbono. Procure una abertura de aire fresco del exterior antes de encender el calentador.

SUMINISTRO DE PROPANO

Usted debe proveer el gas propano y el (los) tanque(s) de gas propano.

Use el calentador solamente con un sistema de suministro con extracción de vapores de propano. Consulte el capítulo 5 de la *Norma de almacenamiento y manejo de gas licuado de petróleo, ANSI/NFPA 58 y/o la norma CAN/CGA B149.2*. La biblioteca local o el departamento de bomberos debe tener este folleto.

Este calentador funciona con un tanque de propano de 20 libras (9,07 kg). Sin embargo, sólo puede hacer funcionar el calentador en la posición BAJA cuando hace frío leve. En lugares con más calefacción o cuando el tiempo está más frío, deberá usar tanques más grandes.

La cantidad de gas propano lista para usarse de los tanques de propano varía. Dos factores determinan esta cantidad:

1. La cantidad de gas propano en el (los) tanque(s)
2. La temperatura del (de los) tanque(s)

El cuadro a continuación muestra los tanques mínimos de 100 libras (45 kg) necesarios para hacer funcionar el calentador. Conecte los tanques entre sí con un tubo múltiple.

Temperatura promedio °C (°F) en la ubicación de los tanques (Modelos 80.000 BTU)	Número de tanques
-6,7° (20°) a 15,6° (60°)	1
-17,8° (0°) a -6,7° (20°)	2
(Modelos 200.000 BTU)	
-6,7° (20°) a 15,6° (60°)	2
-17,8° (0°) a -6,7° (20°)	3

A temperaturas más bajas se vaporiza menos gas. El surtidor de gas de su localidad le ayudará a seleccionar el sistema de suministro apropiado.

INSTALACIÓN

⚠ ADVERTENCIA: Revise y comprenda las advertencias en la sección *Información de seguridad*, página 2. Son necesarias para hacer funcionar este calentador de manera segura. Siga todas las reglas locales al utilizar este calentador.

⚠ PRECAUCIÓN: Nunca encienda y/o haga funcionar el calentador salvo que las cubiertas estén totalmente extendidas y aseguradas en su posición.

CUBIERTA EXTERIOR

IMPORTANTE: cuando retire el calentador por primera vez de la caja, la cubierta exterior está en posición hacia abajo. Protéjase las manos antes de levantar la cubierta exterior. Nunca tome metal expuesto sin usar protección para las manos.

1. Debe proteger sus manos mientras realiza este paso. Levante la cubierta exterior hacia arriba, como se muestra en la Figura 2, hasta que los tres clips enganchen en las ranuras en la cubierta inferior. Los orificios para tornillos se alinearán en este momento.
2. Asegure los clips en su lugar con 3 tornillos como se muestra en la Figura 2. El calentador no se deberá hacer funcionar salvo que la cubierta exterior esté adecuadamente extendida y totalmente asegurada en su lugar.

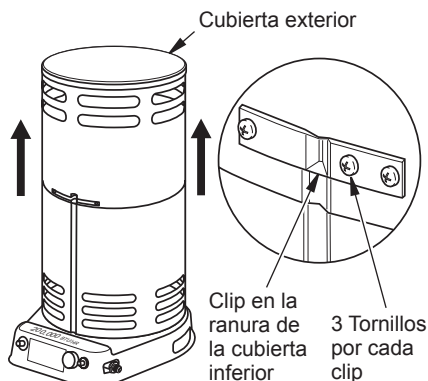


Figura 2. Cómo levantar la cubierta exterior

CONEXIÓN A LA ALIMENTACIÓN DE GAS

⚠ ADVERTENCIA: Pruebe todas las tuberías de gas y sus conexiones para saber si hay fugas después de instalar o dar servicio. Nunca use una llama al descubierto para verificar una fuga. Aplique una mezcla de jabón líquido y agua en todas las uniones. La formación de burbujas indicará una fuga. Repare todas las fugas inmediatamente.

1. Proporcione un sistema de alimentación de propano (vea *Suministro de propano*, página 4).
2. Conecte el niple de gas combustible del ensamblaje de manguera-regulador a el (los) tanque(s) de propano. Gire el niple de gas combustible en el sentido contrario al de las manecillas del reloj en las rosas del tanque. Apriete firmemente usando una llave. **IMPORTANTE:** apriete el regulador con la ventila apuntando hacia abajo. Apuntar la ventila hacia abajo protege el regulador del daño climático.

INSTALACIÓN

Continuación

3. Conecte la manguera a la entrada de la válvula. Apriete firmemente usando una llave. Debe usar el regulador suministrado con el calentador aunque el tanque de propano ya tenga uno.
4. Abra lentamente la válvula del suministro de propano en el (los) tanque(s) de propano. **Nota:** si no se abre lentamente, la válvula de exceso de flujo del tanque de propano puede detener el flujo del gas. Si esto sucede, es posible que escuche un chasquido al cerrarse la válvula de exceso de flujo. Para restablecer la válvula de exceso de flujo, cierre la válvula del suministro de propano y ábrala de nuevo lentamente.
5. Revise todas las conexiones en busca de fugas. Aplique una mezcla de jabón líquido y agua a todas las uniones de la línea de gas. La formación de burbujas indica una fuga que se debe corregir.

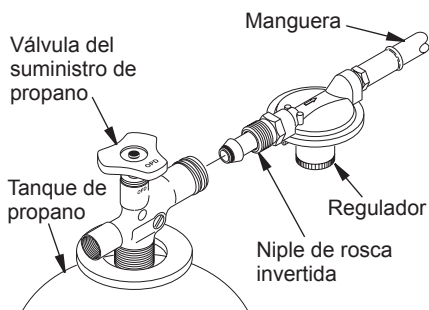


Figura 3. Posición del regulador

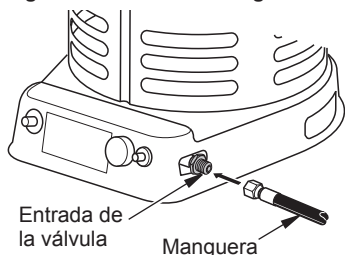


Figura 4. Manguera y entrada de la válvula

FUNCIONAMIENTO

⚠ ADVERTENCIA: Revise y comprenda las advertencias en la sección *Información de seguridad*, página 2. Son necesarias para hacer funcionar este calentador de manera segura. Siga todas los códigos locales al utilizar este calentador.

PARA ENCENDER EL CALENTADOR

1. Antes de encender el piloto, cierre completamente la válvula de bola (gire la perilla totalmente en el sentido de las manecillas de reloj).
2. Abra completamente la válvula del cilindro de propano y espere 15 segundos antes de proceder al paso 3.
3. Presione el botón rojo de la válvula del piloto de seguridad dejando así que el gas pase al calentador. Luego presione y suelte el botón de encendido hasta que se encienda el piloto.
4. Cuando se encienda el piloto, continúe presionando el botón durante 30 segundos y luego suéltelo.
5. Si el piloto se apaga, espere 5 minutos y repita el procedimiento de encendido.
6. Cuando el piloto quede encendido, abra la válvula de bola (gire la perilla en el sentido contrario al de las manecillas del reloj) para encender el quemador principal. Cierre parcialmente la válvula para regular la salida de calor.

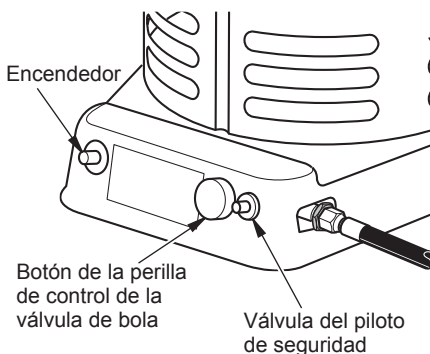


Figura 5. Encendido del calentador

PARA APAGAR EL CALENTADOR

1. Cierre firmemente la válvula del cilindro de propano.
2. Continúe haciendo funcionar el calentador hasta que todo el combustible de la manguera se haya quemado.
3. Cierre completamente la válvula de bola.

PARA VOLVER A ENCENDER EL CALENTADOR

1. Cierre firmemente la válvula del cilindro de propano.
2. Espere 5 minutos.
3. Vuelva a encender siguiendo el procedimiento *Para encender el calentador* de la página 5.

ALMACENAMIENTO

⚠ PRECAUCIÓN: Desconecte el calentador del (de los) tanque(s) de suministro de propano.

1. El calentador debe ser inspeccionado antes de cada uso y al menos una vez al año por una persona capacitada.
2. Antes de cada uso, verifique el apoyo del anillo "O" en la esquina redondeada del niple de rosca invertida. Si el anillo "O" está cortada, golpeada o dañada de alguna manera, reemplace el niple de rosca invertida con el repuesto número LPA4020.
3. Cierre el gas en el (los) cilindro(s) de suministro propano o gas LP cuando el calentador no esté en uso.
4. Cuando el calentador debe ser guardado en interiores, la conexión entre el (los) cilindro(s) de propano o gas LP y el calentador deberá ser desconectada y el (los) cilindro(s) retirado(s) del calentador y guardado(s) en el exterior y de acuerdo con lo previsto en el Capítulo 5 de la *Norma de almacenamiento y manejo de gas licuado de petróleo ANSI/NFPA 58 y CSA B149.1, Código de instalación de gas natural y gas propano*.
5. Almacénelo en un lugar seco, limpio y seguro.

MANTENIMIENTO

⚠ ADVERTENCIA: Nunca intente dar servicio a un calentador mientras esté conectado al suministro de propano, funcionando o caliente. Pueden producirse quemaduras graves.

1. Mantenga el calentador limpio.
2. Inspeccione el calentador antes de cada uso. Revise las conexiones en busca de fugas. Aplique una mezcla de jabón líquido y agua en todas las conexiones. La formación de burbujas indica una fuga que se debe corregir. Repare todas las fugas inmediatamente.
3. Inspeccione el ensamblaje de manguera-regulador antes de cada uso. Si la manguera está muy desgastada o con roturas, reemplácela.
4. Haga que una persona de servicio calificada inspeccione el calentador una vez al año.

SERVICIOS TÉCNICOS

Es posible que tenga más preguntas acerca de este calentador. Si es así, comuníquese con el Departamento de servicio técnico de DESA Heating Products al 1-866-672-6040. Al llamar, tenga a la mano los números de modelo y serie de su calentador.

También puede visitar el sitio web de servicio técnico de DESA Heating Products en www.desatech.com.

PIEZAS DE REPUESTO

⚠ ADVERTENCIA: Use sólo piezas de repuesto originales. Este calentador debe usar piezas diseñadas específicamente. No las sustituya ni use piezas genéricas. El uso de piezas de repuesto inadecuadas puede ocasionar lesiones graves o fatales. Esto también protegerá la cobertura de su garantía para piezas reemplazadas con garantía.

PIEZAS CON GARANTÍA

Comuníquese con los distribuidores autorizados de este producto. Si ellos no pueden suministrar piezas de repuesto originales, comuníquese con la Central de piezas más cercana o llame al Departamento de servicios técnicos de DESA Heating Products al 1-866-672-6040.

Cuando llame a DESA Heating Products, tenga listo:

- su nombre
- su dirección
- el número de modelo de su calentador
- la falla del calentador
- la fecha de compra

PIEZAS SIN GARANTÍA

Comuníquese con los distribuidores autorizados de este producto. Si ellos no pueden suministrar piezas de repuesto originales, comuníquese con la Central de piezas más cercana (listada en el folleto de Centros de servicio autorizados), o bien, llame a DESA Heating Products al 1-866-672-6040 para obtener información de referencia.

Cuando llame a DESA Heating Products, tenga listo:

- el número de modelo de su calentador
- el número de la pieza de repuesto

ACCESORIOS

Adquiera accesorios y partes para el calentador mediante su distribuidor o centro de servicio más cercano. Si ellos no pueden suministrar un accesorio o pieza de repuesto original, comuníquese con la Central de piezas más cercana listada en el folleto de Centros de servicio autorizados provisto por separado, o bien, llame a DESA Heating Products al 1-866-672-6040. También puede escribir a la dirección que se encuentra en la última página de este manual.

ESPECIFICACIONES

	80.000 BTU	200.000 BTU
Tipo de gas	Sólo propano o gas LP	Sólo propano o gas LP
Presión del suministro de gas al regulador		
Presión máxima de botella	Presión de botella	Presión de botella
Mínimo	5 psig (34,5 kPa)	15 psig (103 kPa)
Presión de salida del regulador de presión del suministro de gas	11 pulgadas de columna de agua (2,74 kPa)	10 psig (68,9 kPa)
Encendido	Encendedor piezoeléctrico	Encendedor piezoeléctrico
Temperatura ambiente mínima. Clasificación	-17,8°C (0°F)	-17,8°C (0°F)
Clasificación	30.000 - 80.000 BTU/h (8,79 - 23,4 kW)	75.000 - 200.000 BTU/h (22,0 - 58,6 kW)
Consumo de Combustible	1,4 a 3,7 lb/h (0,74 - 1,80 kg/h)	3,5 - 0,3 lb/h (1,44 - 4,32 kg/h)
Número del puerto del orificio de combustible	6	6
Tamaño del puerto del orificio de combustible	0.0472 pulgadas (1,20mm)	0.0320 pulgadas (0,813mm)

SOLUCIÓN DE PROBLEMAS



ADVERTENCIA: Nunca intente reparar un calentador mientras esté enchufado, conectado al suministro de propano, funcionando o caliente. Pueden ocurrir quemaduras graves y choques eléctricos.

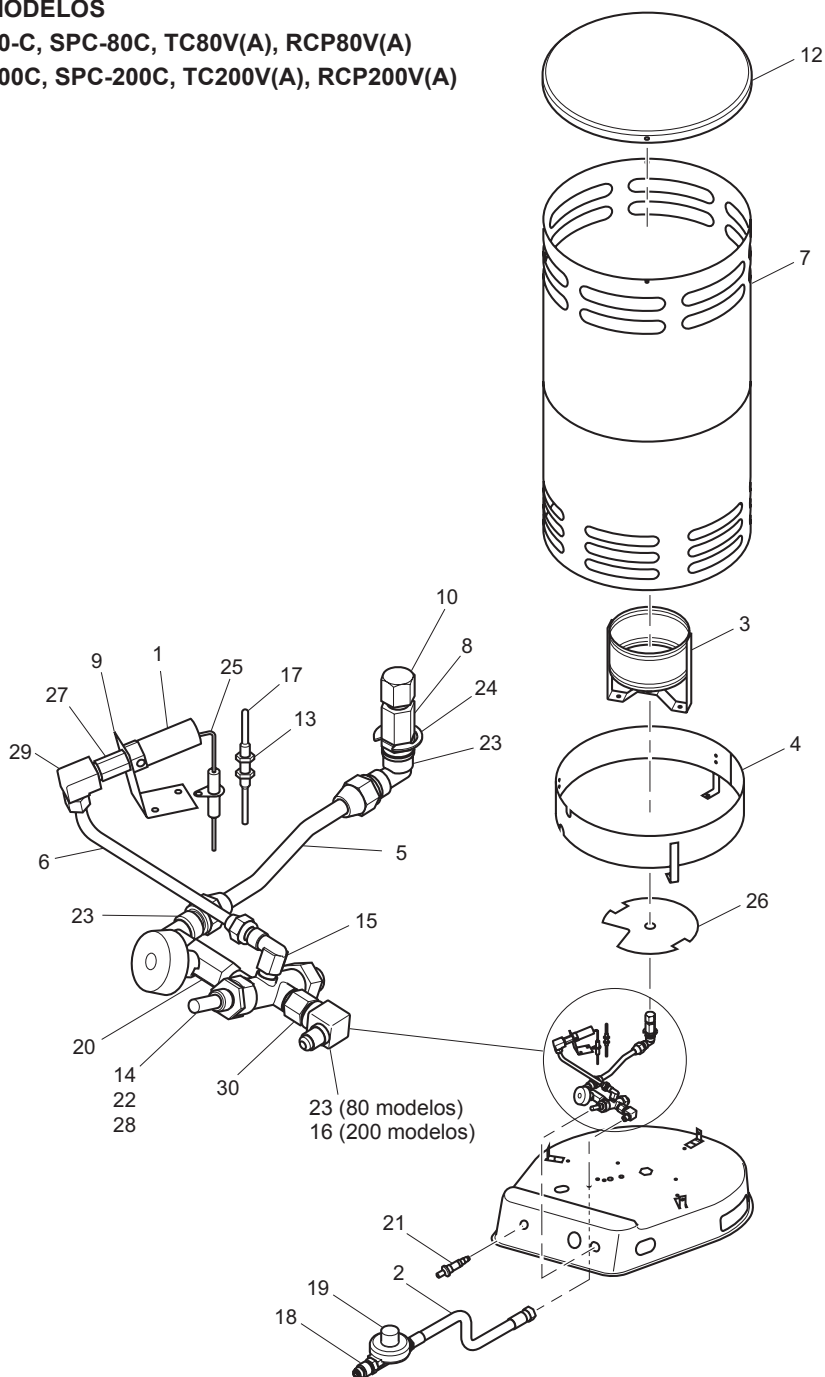
FALLA OBSERVADA	POSIBLE CAUSA	REMEDIO
El quemador no se enciende	<ol style="list-style-type: none"> 1. La válvula del suministro de propano está cerrada en el (los) tanque(s) de propano 2. La válvula de verificación de exceso de flujo está cerrada 3. Bloqueo en el orificio del quemador 4. El sistema de encendido piezoeléctrico no produce chispa 5. El orificio del piloto está obstruido 	<ol style="list-style-type: none"> 1. Abra la válvula del suministro de propano lentamente 2. Cierre la válvula del suministro de propano en el tanque de propano y vuelva a abrirla lentamente 3. Reemplace el orificio del quemador 4. Verifique para asegurar que el espacio del electrodo del encendedor es de 0,195 pulgadas. Revise si el cable está dañado. Reemplace el encendedor piezoeléctrico y/o el electrodo del encendedor, según sea necesario 5. Limpie o reemplace en ensamblaje del piloto
El piloto se enciende pero se apaga cuando se suelta el botón de la válvula de control automático	<ol style="list-style-type: none"> 1. El tiempo de calentamiento no es suficiente 2. La presión de gas está baja 3. El termopar está flojo o se debe reemplazar 4. La válvula de control automático se debe reemplazar 	<ol style="list-style-type: none"> 1. Vuelva a encender, sostenga el botón de la válvula de control automático oprimido 45 segundos 2. Revise que el (los) tanque(s) de propano para tenga(n) un suministro de gas apropiado 3. Apriete la conexión o reemplace el termopar 4. Reemplace la válvula de control automático
La tasa de combustión es baja	<ol style="list-style-type: none"> 1. La válvula de control está encendida en BAJO 2. El orificio de gas está tapado 3. La presión de gas está baja 4. El suministro de combustible está bajo 	<ol style="list-style-type: none"> 1. Gire el contador de la válvula en el sentido de las manecillas del reloj a ALTO 2. Reemplace el orificio de gas 3. Verifique el suministro de gas; verifique la salida del regulador 4. Consulte al proveedor de gas propano

CLASIFICACIÓN ILUSTRADA DE PIEZAS

MODELOS

80-C, SPC-80C, TC80V(A), RCP80V(A)

200C, SPC-200C, TC200V(A), RCP200V(A)



LISTA DE PIEZAS

MODELOS

**80-C, SPC-80C, TC80V(A), RCP80V(A)
200C, SPC-200C, TC200V(A), RCP200V(A)**

Esta lista contiene las partes reemplazables utilizadas en el calentador. Al hacer un pedido de piezas, siga las instrucciones listadas en *Piezas de repuesto* en la página 6 de este manual.

NÚM. DE CLAVE	NÚMERO DE PIEZA		DESCRIPCIÓN	CANT.
	80.000 BTU	200.000 BTU		
1	113775-01	113814-01	Ensamblaje del piloto	1
2	113776-01	113815-01	Ensamblaje de la manguera, 10 pies	1
3	113777-01	113777-01	Ensamblaje del anillo del quemador	1
4	113778-01	113778-01	Protector del anillo	1
5	113779-01	113779-01	Ensamblaje del tubo de combustible	1
6	113780-01	113780-01	Ensamblaje del tubo del piloto	1
7	113781-01	113781-01	Cubierta superior	1
8	113782-01	113782-01	Adaptador del orificio	1
9	113783-01	113783-01	Soporte, Montaje del piloto	1
10	113784-01	113784-01	Orificio, LP	1
11	113346-01	113346-01	Base	1
12	113785-01	113875-01	Tapón	1
13	113786-01	113876-01	Clip Termopar	1
14	113787-01	113787-01	Válvula de Control	1
15	113788-01	113788-01	Niple de tubo acodado hembra, 1/4 FLR x 1/8 FPT	1
16	113789-01	113789-01	Niple de tubo acodado hembra, 1/4 FLR x 1/4 FPT	1
17	113790-01	113790-01	Termopar	1
18	113791-01	113818-01	Rosca invertida, Flujo en exceso	1
19	113792-01	113819-01	Regulador	1
20	113793-01	113793-01	Válvula de bola	1
21	102445-01	102445-01	Encendedor piezoeléctrico	1
22	113794-01	113794-01	Tuerca de la válvula, 1/2-28	1
23	113795-01	113795-01	Niple de tubo acodado hembra, 1/4 FPTx 3/8 FLR	3
24	113796-01	113796-01	Anillo de retención	1
25	113797-01	113797-01	Electrodo del encendedor	1
26	113798-01	113798-01	Protector de calor	1
27	113799-01	113799-01	Orificio del piloto	1
28	113800-01	113800-01	Arandela, Plana	1
29	113801-01	113801-01	Niple de tubo acodado, 1/8 FPT x 1/4 CPSN	1
30	113825-01	113821-01	Cubierta inferior	1
PIEZAS DISPONIBLES. (NO SE MUESTRAN)				
	113809-01	113809-01	Perilla de la válvula de bola	1
	113810-01	113810-01	Inserto de la perilla de la válvula de bola	1
	113822-01	113822-03	Etiqueta adhesiva de marca [RCP80V(A), RCP200V(A)]	1
	113822-02	113822-04	Etiqueta adhesiva de marca [TC80V(A), TC200V(A)]	1
	113822-05	113822-07	Etiqueta adhesiva de marca (SPC-80C, SPC-200C)	1
	113822-06	113822-08	Etiqueta adhesiva de marca (80-C, 200C)	1
	113808-04	113808-01	Etiqueta colgante (Inglés)	1
	113808-05	113808-02	Etiqueta colgante (Español)	1
	113808-06	113808-03	Etiqueta colgante (Francés)	1
	113805-01	113805-01	Etiqueta adhesiva de instalación (Inglés)	1
	113805-02	113805-02	Etiqueta adhesiva de instalación (Español)	1
	113805-03	113805-03	Etiqueta adhesiva de instalación (Francés)	1
	113802-01	113802-02	Etiqueta adhesiva de modelo (80-C, SPC-80C, 200C, SPC-200C)	1
	113802-09	113802-10	Etiqueta adhesiva de modelo (RCP80VA, TC80VA, RCP200VA, TC200VA)	1

GARANTÍA Y SERVICIO DE REPARACIÓN

GUARDE ESTA GARANTÍA

Modelo _____

N° de serie _____

Fecha de compra _____

GARANTÍA LIMITADA

DESA Heating Products (productos de calefacción de DESA) garantiza que este producto y todas sus partes están libres de defectos en los materiales y la mano de obra durante un (1) año a partir de la primera compra, siempre que se hayan operado y mantenido de acuerdo con las instrucciones. Esta garantía se extiende solamente al comprador al por menor, cuando se proporciona una prueba de compra.

Esta garantía sólo cubre el costo de las piezas y de la mano de obra requeridos para restablecer el producto a su condición de operación adecuada. Los costos de transporte e incidentales asociados con reparaciones de garantía no son reembolsables bajo esta garantía.

El servicio de garantía está disponible sólo a través de distribuidores y centros de servicio autorizados.

Esta garantía no cubre defectos ocasionados por mal uso, abuso, negligencia, accidentes, falta de mantenimiento adecuado, desgaste normal, alteración, modificación, manipulación, combustibles contaminados, reparación usando piezas inadecuadas o reparación realizada por cualquiera que no sea un distribuidor o centro de servicio autorizado. El mantenimiento de rutina es responsabilidad del propietario.

ESTA GARANTÍA EXPRESA SE OTORGA EN LUGAR DE CUALQUIER OTRA GARANTÍA, YA SEA EXPRESA O IMPLÍCITA, INCLUYENDO GARANTÍAS O APROVECHAMIENTO Y APTITUD PARA UN PROPÓSITO EN PARTICULAR.

DESA Heating Products no asume ninguna responsabilidad por daños indirectos, incidentales o consiguientes. Algunos estados no permiten la exclusión o limitación de daños incidentales o consiguientes, o es posible que las exclusiones no sean aplicables a usted. Esta Garantía limitada le otorga derechos legales específicos y usted podría tener también otros derechos que varían de un estado a otro.

Esta garantía no cubre la decoloración debida al funcionamiento del calentador. Nos reservamos el derecho de modificar estas especificaciones en cualquier momento sin previo aviso. La única garantía aplicable es nuestra garantía por escrito regular. No otorgamos ninguna otra garantía, expresa o implícita.

SERVICIO DE GARANTÍA

Si su calentador requiere servicio, regréselo al centro de servicio autorizado más cercano. Se debe presentar una prueba de compra con el calentador. El calentador será inspeccionado. Un defecto puede ser ocasionado por materiales o mano de obra defectuosos. Si es así, DESA Heating Products reparará o reemplazará el calentador sin ningún cargo.

SERVICIO DE REPARACIÓN

Devuelva su calentador al centro de servicio autorizado más cercano. Las reparaciones no cubiertas por la garantía se cobrarán a los precios regulares. Cada Centro de servicio tiene un propietario y una operación independientes. Nos reservamos el derecho de modificar estas especificaciones en cualquier momento sin previo aviso.

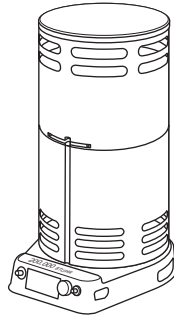
Para mayor información, escriba a:

DESA[™]
HEATING PRODUCTS
2701 Industrial Drive
P.O. Box 90004
Bowling Green, KY 42102-9004, EE.UU.
ATTN: Customer Service Department

DESATM

HEATING PRODUCTS

CONVECTEUR DE CHANTIER AU PROPANE MANUEL D'UTILISATION



**À CHALEUR VARIABLE 60-80 000 BTU/H
75-200 000 BTU/H**

IMPORTANT : Lisez et comprenez ce guide avant d'assembler, d'allumer ou de réparer l'appareil de chauffage. Une mauvaise utilisation de l'appareil de chauffage peut causer des blessures graves. Conservez ce guide pour référence future.

⚠ AVERTISSEMENT DE RISQUE GÉNÉRAL :

Tout manquement aux précautions et aux instructions fournies avec cet appareil de chauffage peut causer la mort, des blessures corporelles graves ainsi que la perte de biens et des dommages causés par les risques associés au feu, à une explosion, aux brûlures, à l'asphyxie, à l'empoisonnement par le monoxyde de carbone et par les chocs électriques.

Seuls les individus qui comprennent et suivent les instructions peuvent utiliser ou réparer cet appareil de chauffage.

Si vous avez besoin d'assistance ou de renseignements concernant l'appareil de chauffage tels que le mode d'emploi, les étiquettes, etc., communiquez avec le fabricant.

TABLE DES MATIÈRES


Informations relatives à la sécurité.....	2	Entretien	6
Déballage	3	Service technique	6
Théorie de fonctionnement.....	3	Pièces de rechange.....	6
Identification du produit	3	Accessoires	6
Ventilation	3	Spécifications	7
Alimentation en propane	4	Dépannage.....	7
Installation	4	Vue détaillée et liste des pièces	8
Fonctionnement.....	5	Service de garantie et de réparation... Couverture arrière	
Entreposage	6		


Conservez ce mode d'emploi pour consultation future.


Pour plus de détails, visitez le site www.desatech.com.

Download from www.Somanuals.com. All Manuals Search And Download.

INFORMATIONS RELATIVES À LA SÉCURITÉ

 **AVERTISSEMENT : Cet appareil contient ou produit des produits chimiques déterminés par l'État de Californie comme cancérigènes et pouvant causer des malformations congénitales et d'autres problèmes reliés à la reproduction.**

 **AVERTISSEMENT : Danger d'incendie, de brûlure, d'inhalation et d'explosion. Garder les produits combustibles solides comme les matériaux de construction, le papier et les cartons à une distance sûre de l'appareil de chauffage tel que recommandé dans les instructions. Ne jamais utiliser l'appareil de chauffage dans des espaces susceptibles de contenir des combustibles volatils ou atmosphériques, ou des produits tels que de l'essence, des diluants, du solvant à peinture, des particules de poussières ou des produits chimiques inconnus.**

 **AVERTISSEMENT : Cet appareil n'est pas conçu pour usage domestique ou dans les véhicules de camping.**

Cet appareil de chauffage est conçu comme appareil de chauffage de chantier en conformité avec les normes ANSI Z83.7/CGA2.2.14. D'autres normes régissent l'utilisation des gaz combustibles et des produits de chauffage pour des utilisations particulières. Les autorités locales peuvent vous conseiller à propos de ces normes. La fonction principale des appareils de chauffage de chantier est la production temporaire de chaleur pour des édifices en construction ou en cours de modification ou de réparation. Utilisés correctement, ces appareils de chauffage représentent une source de chaleur économique et sûre. Les produits de combustion sont évacués dans l'espace qui est chauffé.

Nous ne pouvons pas prévoir toutes les utilisations possibles de nos appareils de chauffage. **VÉRIFIEZ AUPRÈS DE VOTRE RESPONSABLE LOCAL DE LA SÉCURITÉ-INCENDIE SI VOUS AVEZ DES QUESTIONS RELATIVES À L'UTILISATION DE L'APPAREIL DE CHAUFFAGE.**

D'autres normes régissent l'utilisation des gaz combustibles et des produits de chauffage pour des utilisations particulières. Les autorités locales peuvent vous conseiller à propos de ces normes.

Empoisonnement au monoxyde de carbone : Certaines personnes sont plus sensibles au monoxyde de carbone que d'autres. Les premiers symptômes d'un empoisonnement au monoxyde de carbone ressemblent à la grippe avec des maux de tête, des vertiges ou de la nausée. Si vous avez ces symptômes, il se pourrait que l'appareil de chauffage ne fonctionne pas bien. **Respirez tout de suite de l'air frais !** Vérifiez si la ventilation est suffisante et faites réparer l'appareil de chauffage.

Gaz propane : Le gaz propane n'a pas d'odeur. Un produit odorant est ajouté au gaz propane. Cette odeur vous permet de détecter une fuite de propane. Cependant, cette odeur ajoutée au propane peut se dissiper. Du gaz propane peut être présent même s'il n'y a pas d'odeur.

Assurez-vous de lire et de comprendre tous les avertissements. Conservez ce mode d'emploi pour consultation future. Il vous permettra de faire fonctionner cet appareil de chauffage correctement et en toute sécurité.

1. Installez et utilisez l'appareil de chauffage avec précaution. Suivez toutes les lois et les codes locaux. En l'absence de codes ou de règlements locaux, consultez la publication *Norme pour l'emmagasinage et la manipulation du gaz de pétrole liquéfié, ANSI/NFPA 58 et le Code d'installation du gaz naturel, CAN/CGA B149.2*. Ces documents décrivent les précautions à prendre pour l'entreposage et la manutention du gaz propane.
2. Ce produit a été approuvé pour usage dans le Commonwealth du Massachusetts.
3. N'utilisez que du gaz propane composé pour le retrait de vapeur.
4. Assurez une ventilation suffisante. Avant d'utiliser l'appareil de chauffage, prévoyez une ouverture sur l'air frais extérieur d'au moins 0,232 m² (2,5 pi²) (pour les appareils de chauffage à 80 000 Btu) ou de 0,557 m² (6,0 pi²) (pour les appareils de chauffage à 200 000 Btu).
5. Usage à l'intérieur seulement. N'utilisez pas l'appareil de chauffage à l'extérieur.
6. Protégez l'appareil de chauffage des courants d'air, du vent, des éclaboussures, de la pluie ou de l'eau ruisselante.
7. N'utilisez pas l'appareil de chauffage dans un édifice habité ou dans des endroits où l'on vit et dort.
8. N'utilisez pas l'appareil de chauffage dans un sous-sol ou sous le niveau du sol. Le gaz propane est plus lourd que l'air. Si une fuite se manifeste, le gaz propane peut s'écouler au niveau le plus bas possible.
9. Ne placez pas de matériaux combustibles, d'essence, de solvant à peinture ou d'autres vapeurs ou liquides inflammables à proximité de l'appareil. La poussière est combustible. N'utilisez pas l'appareil de chauffage là où il y a beaucoup de poussière.

INFORMATIONS RELATIVES À LA SÉCURITÉ *Suite*

- Distances minimales entre l'appareil de chauffage et les produits combustibles :

Appareils de chauffage à 80 000 Btu

Sur les côtés : 91 cm (3 pi); Au-dessus : 1,83 m (6 pi)

Appareils de chauffage à 100-200 000 Btu

Sur les côtés : 91 cm (3 pi); Au-dessus : 2,1 m (7 pi)

- Placez l'appareil de chauffage à au moins 1,83 m (6 pi) des réservoirs de propane.
- Conservez les réservoirs de propane à moins de 37,8° C (100° F).
- N'utilisez que le tuyau et le régulateur réglé en usine qui ont été fournis avec l'appareil de chauffage.
- Vérifiez l'appareil de chauffage avant chaque utilisation. N'utilisez pas d'appareil de chauffage endommagé.
- Avant chaque utilisation de l'appareil de chauffage, vérifiez que le tuyau n'est pas endommagé. S'il est très usé ou fendu, remplacez le tuyau par le type de tuyau spécifié par le fabricant avant d'utiliser l'appareil de chauffage.
- Ne modifiez pas l'appareil de chauffage. Maintenez l'appareil de chauffage dans son état initial.
- N'utilisez pas l'appareil de chauffage s'il a été modifié.
- Placez l'appareil de chauffage sur une surface stable et de niveau si l'appareil est chaud ou en fonctionnement.
- Pas conçu pour utilisation sur des planchers finis.
- Ne bloquez jamais la prise d'air (partie inférieure de l'habillage) ou la sortie d'air (près de la partie supérieure de l'habillage) de l'appareil de chauffage.
- Ne laissez pas l'appareil de chauffage sans surveillance.
- Ne laissez pas les enfants et les animaux s'approcher de l'appareil de chauffage.
- Ne déplacez, ne manipulez et ne révisiez jamais un appareil de chauffage brûlant ou allumé. Vous risqueriez de vous brûler gravement. Attendez 15 minutes après avoir éteint l'appareil de chauffage.
- Pour ne pas vous blesser, portez des gants lorsque vous manipulez l'appareil de chauffage.
- Ne raccordez jamais de tuyauterie de ventilation à l'appareil de chauffage.
- Fermez l'alimentation en propane de l'appareil de chauffage s'il n'est pas utilisé.
- Utilisez seulement des pièces de rechange d'origine. Cet appareil de chauffage utilise des pièces conçues spécifiquement pour lui. N'utilisez pas de substituts ou de pièces génériques. L'utilisation de pièces de rechange inadéquates peut causer des blessures graves ou fatales.

DÉBALLAGE

- Enlevez le matériau d'emballage appliqué sur l'appareil de chauffage pour son expédition. Conservez les bouchons en plastique (sur le raccord d'entrée et l'assemblage du tuyau et du régulateur) pour l'entreposage.
- Retirez toutes les pièces de l'emballage.
- Examinez toutes les pièces pour vérifier si elles ont été endommagées pendant le transport. Si l'appareil de chauffage est endommagé, informez-en au plus vite le revendeur où vous l'avez acheté.

THÉORIE DE FONCTIONNEMENT

Système d'alimentation en carburant : l'assemblage du tuyau et du régulateur est relié à l'alimentation en gaz propane. Il achemine le combustible à l'appareil de chauffage.

Circuit d'allumage : l'allumeur piézo-électrique allume la veilleuse.

Système de contrôle automatique : ce système provoque l'arrêt de l'appareil de chauffage en cas d'extinction de la flamme.

IDENTIFICATION DU PRODUIT

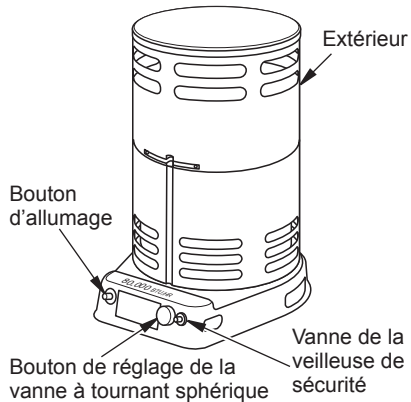


Figure 1 - Modèle à 80 000 Btu/h illustré

VENTILATION

AVERTISSEMENT : Prévoir une ouverture d'au moins 0,232 m² (2,5 pi²) permettant l'entrée d'air frais de l'extérieur quand l'appareil de chauffage fonctionne. Si aucune ventilation d'air frais de l'extérieur n'est fournie, un empoisonnement au monoxyde de carbone peut se produire. Assurer une entrée d'air frais de l'extérieur adéquate avant d'utiliser l'appareil de chauffage.

ALIMENTATION EN PROPANE

Vous devez vous procurer les réservoirs de propane et le gaz propane.

N'utilisez cet appareil de chauffage qu'avec un système d'approvisionnement à élimination de vapeurs de propane. Consultez le chapitre 5 des *Normes pour l'emmagasinement et la manipulation du gaz de pétrole liquéfié, ANSI/NFPA 58 et/ou CAN/CGA B149.2*. Votre bibliothèque ou votre service-incendie ont cette publication.

Cet appareil de chauffage fonctionnera sur une bouteille de propane de 9 kg (20 lb). Cependant, vous pouvez l'utiliser sur le réglage BAS s'il ne fait pas très froid. Aux réglages de chaleur supérieurs ou quand il fait plus froid, il faudra utiliser des réservoirs de plus grande capacité.

La quantité de gaz propane utilisable dans les réservoirs varie. Deux facteurs influencent cette quantité :

1. La quantité de gaz propane contenue dans les réservoirs
2. La température des réservoirs

Le tableau ci-dessous indique le nombre minimum de réservoirs de 45 kg (100 lb) à utiliser pour faire fonctionner l'appareil de chauffage. Raccordez les réservoirs entre eux avec un collecteur.

Température moyenne ambiante en °C (°F)	Nombre de réservoirs
(modèles à 80 000 Btu)	
de -6,7° (20°) à 15,6° (60°)	1
de -17,8° (0°) à -6,7° (20°)	2
(modèles à 200 000 Btu)	
de -6,7° (20°) à 15,6° (60°)	2
de -17,8° (0°) à -6,7° (20°)	3

Moins de gaz se vaporise à basse température. Votre fournisseur de gaz propane local vous aidera à choisir le système d'alimentation qui convient.

INSTALLATION

AVERTISSEMENT : Lire et comprendre les avertissements de la section *Informations relatives à la sécurité*, page 2. Ils sont requis pour faire fonctionner cet appareil de chauffage sans danger. Respecter tous les codes locaux lors de l'utilisation de cet appareil de chauffage.

ATTENTION : N'allumez jamais et ne faites jamais fonctionner cet appareil de chauffage sans déployer complètement l'habillage et le verrouiller en place.

HABILLAGE EXTÉRIEUR

IMPORTANT : La première fois que vous sortez l'appareil de chauffage de son carton, l'habillage extérieur est la tête en bas. Protégez-vous les mains avant de soulever l'habillage. Ne saisissez jamais du métal nu sans protéger vos mains.

1. Prenez soin de protéger vos mains pendant cette étape. Soulevez l'habillage extérieur verticalement, comme le montre la figure 2, jusqu'à ce que les 3 fixations s'emboîtent dans les fentes de l'habillage inférieur. Les trous de vis seront alors alignés.
2. Fixez les fixations en place avec les 3 vis comme l'illustre la figure 2. L'appareil de chauffage ne doit pas être utilisé si l'habillage extérieur n'est pas correctement déployé et vissé en place.

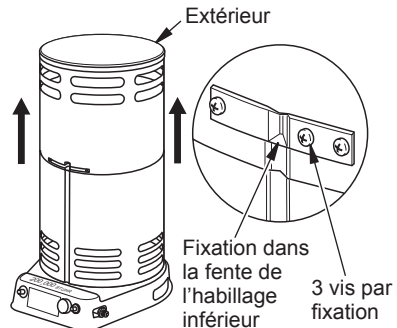


Figure 2 - Soulèvement de l'habillage extérieur

CONNEXION À L'ALIMENTATION EN GAZ

AVERTISSEMENT : Vérifier toutes les conduites de gaz et les connexions pour détecter les fuites après l'installation ou la révision. Ne jamais utiliser de flamme nue pour rechercher une fuite. Appliquer une solution de savon liquide et d'eau sur tous les joints. La présence de bulles indique une fuite. Réparer toutes les fuites immédiatement.

1. Fournissez le système d'alimentation en propane (voir la section *Alimentation en propane*, page 4).
2. Branchez le raccord de gaz de chauffage de l'assemblage du tuyau et du régulateur sur le réservoir de propane. Tournez le raccord de gaz de chauffage dans le sens inverse des aiguilles d'une montre dans le filetage du réservoir. Resserrez fermement avec une clé. **IMPORTANT** : Serrez le régulateur en dirigeant l'évent vers le bas. Ceci le protégera de l'eau.
3. Raccordez le tuyau à l'entrée de la vanne. Resserrez fermement avec une clé. Il faut utiliser le régulateur fourni avec l'appareil de chauffage même si le réservoir de propane en a un.

INSTALLATION

Suite

- Ouvrez lentement la vanne d'alimentation en propane du ou des réservoirs de propane. **Note** : Si on ne l'ouvre pas lentement, la vanne de limitation de débit du réservoir de propane peut couper le gaz. Si cela se produit, vous pouvez entendre un clic à l'intérieur de l'assemblage du régulateur quand la vanne de limitation de débit se ferme. Pour réamorcer la vanne de limitation de débit, fermez la vanne d'alimentation en propane et rouvrez-la plus lentement.
- Vérifiez les fuites à chaque branchement. Appliquez une solution de savon liquide et d'eau aux joints servant au gaz. L'apparition de bulles indique la présence d'une fuite qui doit être réparée.

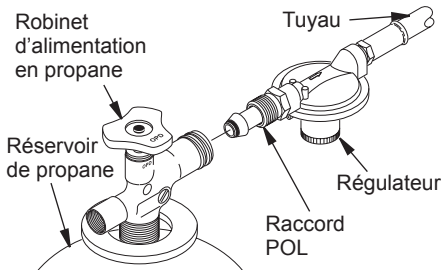


Figure 3 - Position du régulateur

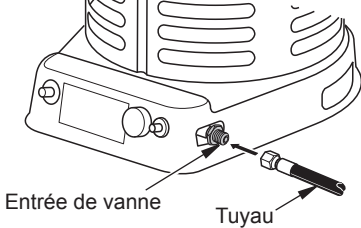


Figure 4 - Tuyau et entrée de vanne

FONCTIONNEMENT

AVERTISSEMENT : Lire et comprendre les avertissements de la section *Informations relatives à la sécurité*, page 2. Ils sont requis pour faire fonctionner cet appareil de chauffage sans danger. Respecter tous les codes locaux lors de l'utilisation de cet appareil de chauffage.

POUR DÉMARRER L'APPAREIL DE CHAUFFAGE

- Avant d'allumer la veilleuse, fermez complètement la vanne à tournant sphérique (tournez complètement le bouton dans le sens des aiguilles d'une montre).

- Ouvrez complètement le robinet de la bouteille de propane et attendez 15 secondes avant de passer à l'étape 3.
- Appuyez sur le bouton rouge de la vanne de la veilleuse de sécurité qui alimente l'appareil de chauffage en gaz. Puis appuyez sur le bouton d'allumage et relâchez-le jusqu'à ce que la veilleuse s'allume.
- Lorsque la veilleuse s'allume, continuez à appuyer sur le bouton pendant 30 secondes puis relâchez-le.
- Si la veilleuse s'éteint, attendez 5 minutes puis recommencez la procédure d'allumage.
- Lorsque la veilleuse reste allumée, ouvrez la vanne à tournant sphérique (en faisant tourner le bouton dans le sens inverse des aiguilles d'une montre) pour allumer le brûleur principal. Fermez partiellement la vanne pour régler la chaleur.

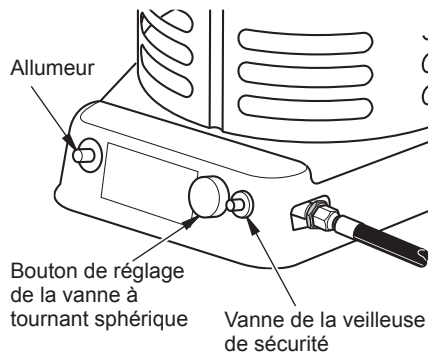


Figure 5 - Allumage de l'appareil de chauffage

POUR ARRÊTER L'APPAREIL DE CHAUFFAGE

- Fermez complètement le robinet de la bouteille de propane.
- Faites fonctionner l'appareil de chauffage jusqu'à ce que tout le carburant du tuyau ait été brûlé.
- Fermez complètement la vanne à tournant sphérique.

POUR REDÉMARRER L'APPAREIL DE CHAUFFAGE

- Fermez complètement le robinet de la bouteille de propane.
- Attendez 5 minutes.
- Rallumez en suivant la procédure de la section *Pour démarrer l'appareil de chauffage*, page 5.

ENTREPOSAGE

⚠ ATTENTION : Débranchez l'appareil de chauffage des réservoirs de propane.

1. L'appareil de chauffage devrait être vérifié avant chaque utilisation et au moins une fois l'an par un technicien compétent.
2. Avant chaque utilisation, examinez le siège du joint torique de l'embout du raccord POL. Si le joint torique est coupé, usé ou endommagé, remplacez le raccord POL par la pièce n° LPA4020.
3. Coupez le gaz aux bouteilles de gaz propane ou de GPL quand l'appareil de chauffage n'est pas utilisé.
4. Si l'appareil de chauffage est entreposé à l'intérieur, il doit être déconnecté des bouteilles de propane ou de GPL, et les bouteilles doivent être retirées de l'appareil de chauffage et entreposées à l'extérieur conformément au chapitre 5 de la *Norme pour l'emmagasinement et la manipulation des gaz de pétrole liquéfiés ANSI/NFPA 58 et de CSA B149.1, Code d'installation du propane et du gaz naturel.*
5. Entrezposez l'appareil de chauffage dans un endroit sec, propre et sans danger.

ENTRETIEN

⚠ AVERTISSEMENT : Ne jamais tenter de réparer l'appareil de chauffage pendant qu'il est branché au réservoir de propane, qu'il est en utilisation ou qu'il est brûlant. Des brûlures graves peuvent en résulter.

1. Gardez l'appareil de chauffage propre.
2. Inspectez l'appareil de chauffage avant chaque utilisation. Vérifiez que les branchements ne fument pas. Appliquez une solution de savon liquide et d'eau aux raccords. L'apparition de bulles indique la présence d'une fuite qui doit être réparée. Réparez toutes les fuites immédiatement.
3. Inspectez l'assemblage du tuyau et du régulateur avant chaque utilisation. Si le tuyau est très usé ou fendu, remplacez-le.
4. Faites inspecter l'appareil de chauffage une fois l'an par un technicien de service qualifié.

SERVICE TECHNIQUE

Vous avez peut-être d'autres questions sur cet appareil de chauffage. Si c'est le cas, communiquez avec le service technique de DESA Heating Products au 1-866-672-6040. Lorsque vous appelez, ayez sous la main les numéros de modèle et de série de votre appareil de chauffage.

Vous pouvez aussi visiter le site Web de service technique de DESA Heating Products à www.desatech.com.

PIÈCES DE RECHANGE

⚠ AVERTISSEMENT : N'utiliser que des pièces de rechange DESA. Cet appareil de chauffage utilise des pièces conçues spécifiquement pour lui. Ne pas utiliser de substituts ou de pièces génériques. L'utilisation de pièces de rechange inadéquates peut causer des blessures graves ou fatales. Cela protégera également la garantie des pièces remplacées sous garantie.

PIÈCES SOUS GARANTIE

Communiquez avec les revendeurs autorisés de ce produit. S'ils ne peuvent pas vous fournir de pièces de rechange DESA, communiquez avec le dépôt de pièces le plus proche ou appelez le service technique de DESA Heating Products au 1-866-672-6040.

Lorsque vous appelez DESA Heating Products, ayez sous la main :

- votre nom
- votre adresse
- le numéro du modèle de l'appareil de chauffage
- la description du mauvais fonctionnement de l'appareil de chauffage
- la date de l'achat

PIÈCES QUI NE SONT PAS SOUS GARANTIE

Communiquez avec les revendeurs autorisés de ce produit. S'ils ne peuvent vous fournir une pièce de rechange DESA, communiquez avec le dépôt de pièces le plus proche (liste dans la brochure distincte des centres de service autorisés) ou appelez DESA Heating Products au 1-866-672-6040 pour obtenir une référence.

Lorsque vous appelez DESA Heating Products, ayez sous la main :

- le numéro du modèle de l'appareil de chauffage
- le numéro de la pièce de rechange

ACCESSOIRES

Achetez les accessoires et les pièces de l'appareil de chauffage chez le revendeur ou au centre de service le plus proche. S'ils ne peuvent pas vous fournir un accessoire ou une pièce, communiquez avec le dépôt de pièces le plus proche (les dépôts sont répertoriés dans la brochure des centres de service autorisés) ou appelez DESA Heating Products au 1-866-672-6040. Vous pouvez également écrire à l'adresse indiquée au dos de ce manuel.

SPÉCIFICATIONS

	80 000 Btu	200 000 Btu
Type de gaz	Propane ou GPL uniquement	Propane ou GPL uniquement
Pression du gaz à l'entrée du régulateur		
Maximum	Pression de la bouteille	Pression de la bouteille
Minimum	34,5 kPa (5 lb/po2-jauge)	103 kPa (15 lb/po2-jauge)
Pression du gaz à la sortie du régulateur	2,74 kPa (11 po de colonne d'eau)	68,9 kPa (10 lb/po2-jauge)
Allumage	Allumeur piézo.	Allumeur piézo.
Température ambiante minimale	-17,8 °C (0 °F)	-17,8 °C (0 °F)
Rendement	8,79 - 23,4 kW (30 000 - 80 000 Btu/h)	22,0 - 58,6 kW (75 000 - 200 000 Btu/h)
Consommation de carburant	de 0,74 à 1,80 kg/h (de 1,4 à 3,7 lb/h)	de 1,44 à 4,32 kg/h (de 3,5 à 0,3 lb/h)
N° du port de l'orifice de carburant	6	6
Taille du port de l'orifice de carburant	1,20 mm (0,0472 po)	0,813 mm (0,0320 po)

DÉPANNAGE



AVERTISSEMENT : Ne jamais réparer l'appareil de chauffage lorsqu'il est branché, connecté à l'alimentation de gaz, en marche ou brûlant. Des brûlures et des chocs électriques graves peuvent se produire.

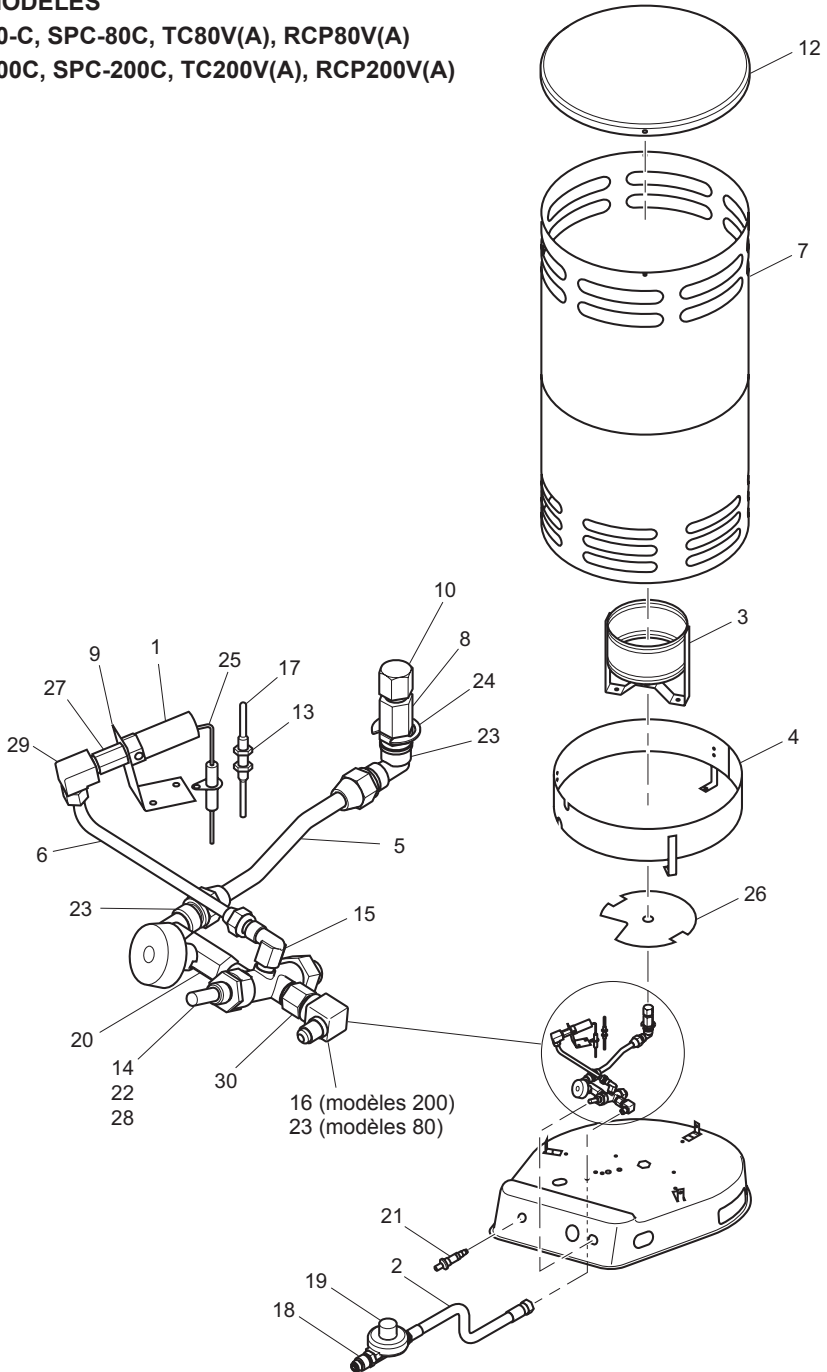
PROBLÈME OBSERVÉ	CAUSE POSSIBLE	SOLUTION
Le brûleur ne s'allume pas	<ol style="list-style-type: none"> 1. La vanne d'alimentation en propane des réservoirs de propane est fermée. 2. La vanne de limitation du débit est fermée 3. L'orifice du brûleur est bouché 4. Le système d'allumage piézo-électrique ne produit pas d'étincelles 5. L'orifice de la veilleuse est bouché 	<ol style="list-style-type: none"> 1. Ouvrez lentement la vanne d'alimentation en propane 2. Fermez le robinet d'alimentation en propane du réservoir de propane et rouvrez-le lentement 3. Remplacez l'orifice du brûleur 4. Vérifiez que l'écartement de l'électrode d'allumage est de 5 mm (0,195 po). Vérifiez que le fil électrique n'est pas endommagé. Remplacez l'allumeur piézo-électrique ou l'électrode d'allumage selon les besoins 5. Nettoyez ou remplacez l'assemblage de la veilleuse
La veilleuse s'allume, mais elle s'éteint dès que le bouton de la vanne de contrôle automatique est relâché	<ol style="list-style-type: none"> 1. Le préchauffage ne dure pas assez longtemps 2. La pression du gaz est trop faible 3. Le thermocouple est desserré ou doit être remplacé 4. La vanne de contrôle automatique doit être remplacée 	<ol style="list-style-type: none"> 1. Rallumez et appuyez sur le bouton de la vanne de contrôle automatique pendant 45 secondes 2. Vérifiez que les réservoirs de propane fournissent une alimentation en gaz adéquate 3. Resserrez le branchement ou remplacez le thermocouple 4. Remplacez la vanne de contrôle automatique
Le taux de combustion est bas	<ol style="list-style-type: none"> 1. La vanne de contrôle est sur Low (BAS) 2. L'orifice de gaz est bouché 3. La pression du gaz est trop faible 4. Il n'y a pas assez de carburant 	<ol style="list-style-type: none"> 1. Tournez la vanne dans le sens inverse des aiguilles d'une montre pour la mettre sur High (HAUT) 2. Remplacez l'orifice de gaz 3. Vérifiez l'alimentation en gaz et la sortie du régulateur 4. Consultez la compagnie de gaz propane

ILLUSTRATION DÉTAILLÉE DES PIÈCES

MODÈLES

80-C, SPC-80C, TC80V(A), RCP80V(A)

200C, SPC-200C, TC200V(A), RCP200V(A)



LISTE DES PIÈCES

MODÈLES

80-C, SPC-80C, TC80V(A), RCP80V(A)

200C, SPC-200C, TC200V(A), RCP200V(A)

Cette liste contient les pièces de rechange utilisées dans votre appareil de chauffage. Quand vous commandez des pièces, reportez-vous aux instructions de la section *Pièces de rechange*, à la page 6 de ce mode d'emploi.

N°	NUMÉRO DE PIÈCE		DESCRIPTION	QTÉ
	80 000 Btu	200 000 Btu		
1	113775-01	113814-01	Assemblage de la veilleuse	1
2	113776-01	113815-01	Assemblage du tuyau, 3 m (10 pi)	1
3	113777-01	113777-01	Assemblage de l'anneau du brûleur	1
4	113778-01	113778-01	Anneau de protection	1
5	113779-01	113779-01	Assemblage du tube de carburant	1
6	113780-01	113780-01	Assemblage du tube de la veilleuse	1
7	113781-01	113781-01	Habillage supérieur	1
8	113782-01	113782-01	Adaptateur de l'orifice	1
9	113783-01	113783-01	Support de montage de la veilleuse	1
10	113784-01	113784-01	Orifice, LP	1
11	113346-01	113346-01	Base	1
12	113785-01	113875-01	Dessus	1
13	113786-01	113876-01	Fixation du thermocouple	1
14	113787-01	113787-01	Vanne de contrôle	1
15	113788-01	113788-01	Raccord femelle on L, 1/4 FLR x 1/8 FPT	1
16	113789-01	113789-01	Raccord femelle en L, 1/4 FLR x 1/4 FPT	1
17	113790-01	113790-01	Thermocouple	1
18	113791-01	113818-01	POL, Excès de carburant	1
19	113792-01	113819-01	Régulateur	1
20	113793-01	113793-01	Vanne à tournant sphérique	1
21	102445-01	102445-01	Allumeur piézo-électrique	1
22	113794-01	113794-01	Écrou de vanne, 1/2-28	1
23	113795-01	113795-01	Raccord femelle en L, 1/4 FPT x 3/8 FLR	3
24	113796-01	113796-01	Bague de rétention	1
25	113797-01	113797-01	Électrode d'allumage	1
26	113798-01	113798-01	Plaque de protection thermique	1
27	113799-01	113799-01	Orifice de la veilleuse	1
28	113800-01	113800-01	Rondelle plate	1
29	113801-01	113801-01	Raccord en L, 1/8 FPT x 1/4 CPSN	1
30	113825-01	113821-01	Habillage inférieur	1
PIÈCES DISPONIBLES — PAS ILLUSTRÉES				
	113809-01	113809-01	Bouton de la vanne à tournant sphérique	1
	113810-01	113810-01	Élément encastré du bouton de vanne à tournant sphérique	1
	113822-01	113822-03	Décalque du nom de commerce [RCP80V(A), RCP200V(A)]	1
	113822-02	113822-04	Décalque du nom de commerce [TC80V(A), TC200V(A)]	1
	113822-05	113822-07	Décalque du nom de commerce (SPC-80C, SPC-200C)	1
	113822-06	113822-08	Décalque du nom de commerce (80-C, 200C)	1
	113808-04	113808-01	Étiquette à fil (en anglais)	1
	113808-05	113808-02	Étiquette à fil (en espagnol)	1
	113808-06	113808-03	Étiquette à fil (en français)	1
	113805-01	113805-01	Décalque d'installation (en anglais)	1
	113805-02	113805-02	Décalque d'installation (en espagnol)	1
	113805-03	113805-03	Décalque d'installation (en français)	1
	113802-01	113802-02	Décalque de modèle (80-C, SPC-80C, 200C, SPC-200C)	1
	113802-09	113802-10	Décalque de modèle (RCP80VA, TC80VA, RCP200VA, TC200VA)	1

NOTES

NOTES

SERVICE DE GARANTIE ET DE RÉPARATION

CONSERVEZ CETTE GARANTIE

Modèle _____

Numéro de série _____

Date de l'achat _____

GARANTIE LIMITÉE

DESA Heating Products garantit ce produit et toutes les pièces qu'il contient contre tout défaut de matériau et de fabrication pour un (1) an à partir de la date d'achat originale lorsque utilisés et entretenus selon les instructions. Cette garantie ne protège que l'acheteur au détail d'origine, lorsqu'une preuve d'achat est fournie.

Cette garantie ne couvre que le coût des pièces et de la main-d'œuvre requis pour restaurer le produit à son état de fonctionnement normal. Le transport et les frais incidents associés aux réparations sous garantie ne sont pas remboursables sous cette garantie.

Les réparations sous garantie sont disponibles seulement par l'intermédiaire des revendeurs et des centres de service autorisés.

Cette garantie ne couvre pas les défauts causés par la mauvaise utilisation, l'abus, la négligence, les accidents, le manque d'entretien adéquat, l'usure normale, les modifications, les altérations, les combustibles contaminés, les réparations avec des pièces non conformes ou une réparation par quelqu'un d'autre qu'un revendeur ou un centre de service autorisé. L'entretien de routine est la responsabilité du propriétaire.

CETTE GARANTIE REMPLACE TOUTE AUTRE GARANTIE EXPRESSE OU IMPLICITE, Y COMPRIS LES GARANTIES DE COMMERCIALITÉ ET D'ADÉQUATION À UN USAGE PARTICULIER.

DESA Heating Products n'assume aucune responsabilité pour les dommages indirects, imprévus ou incidents. Dans les états et les provinces qui ne permettent pas l'exclusion ou la restriction des dommages imprévus ou incidents et certaines restrictions ou exclusions, ces exclusions et ces restrictions ne s'appliquent pas à vous. Cette garantie limitée vous donne des droits spécifiques selon la loi; vous pourriez aussi avoir d'autres droits selon l'état ou la province où vous habitez.

La présente garantie ne couvre pas toute décoloration provoquée par l'utilisation de l'appareil de chauffage. Nous nous réservons le droit de modifier ces spécifications à tout moment sans préavis. La seule garantie valable est notre garantie écrite standard. Nous n'offrons aucune autre garantie, expresse ou implicite.

RÉPARATION SOUS GARANTIE

Si votre appareil de chauffage a besoin de réparation, retournez-le au centre de service autorisé le plus près de chez vous. Une preuve d'achat doit être présentée avec l'appareil de chauffage. L'appareil de chauffage sera inspecté. Un défaut peut être causé par des matériaux défectueux ou un défaut de fabrication. Si tel est le cas, DESA Heating Products réparera ou remplacera l'appareil de chauffage sans frais.

SERVICE DE RÉPARATION

Retournez votre appareil de chauffage au centre de service autorisé le plus proche de chez vous. Les réparations non couvertes par la garantie seront facturées aux prix normaux. Chaque centre de service est autonome. Nous nous réservons le droit de modifier ces spécifications à tout moment sans préavis.

Pour obtenir des détails supplémentaires, écrivez à :

DESA[™]

HEATING PRODUCTS

2701 Industrial Drive

P.O. Box 90004

Bowling Green, KY 42102-9004, USA

ATTN: Customer Service Department



113811 01
NOT A UPC

113811-01
Rev. A
05/04

Free Manuals Download Website

<http://myh66.com>

<http://usermanuals.us>

<http://www.somanuals.com>

<http://www.4manuals.cc>

<http://www.manual-lib.com>

<http://www.404manual.com>

<http://www.luxmanual.com>

<http://aubethermostatmanual.com>

Golf course search by state

<http://golfingnear.com>

Email search by domain

<http://emailbydomain.com>

Auto manuals search

<http://auto.somanuals.com>

TV manuals search

<http://tv.somanuals.com>