

# **PROPANE CONSTRUCTION HEATER**

**OWNER'S MANUAL**

**Model: BLP35E**

# **APPAREIL DE CHAUFFAGE AU PROPANE POUR LA CONSTRUCTION**

**MANUEL D'UTILISATION**

**Modèle : BLP35E**

# **PROPAN-BAUSTELLEN- HEIZGERÄT**

**BETRIEBSANLEITUNG**

**Modell: BLP35E**

# **PROPAANKACHEL VOOR DE BOUW**

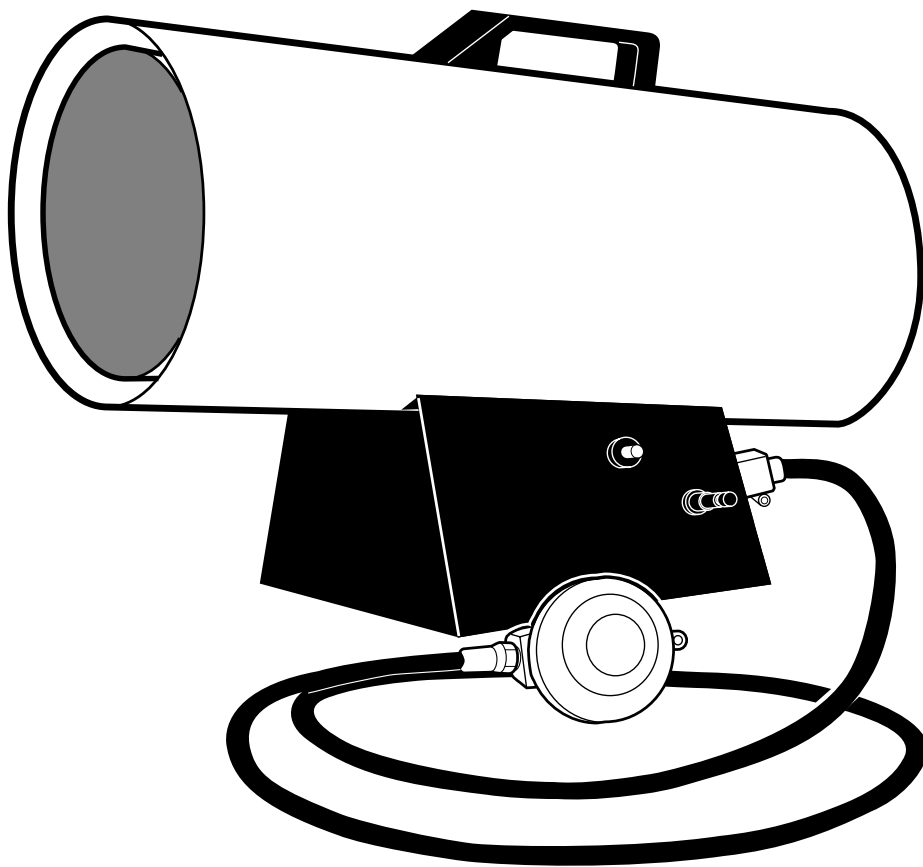
**GEBRUIKERSHANDLEIDING**

**Model: BLP35E**



# PROPANE CONSTRUCTION HEATER

## OWNER'S MANUAL



**Model: BLP35E**

### **IMPORTANT**

**Read and understand this manual before assembling, starting, or servicing heater. Improper use of heater can cause serious injury. Keep this manual for future reference.**

# CONTENTS

SECTION	PAGE
Safety Information .....	2
Unpacking .....	3
Product Identification .....	4
Theory of Operation .....	4
Propane Supply .....	5
Installation .....	5
If Gas Leak Occurs .....	6
Ventilation .....	6
Operation .....	7
Storage .....	8
Maintenance .....	8
Wiring Diagram .....	8
Troubleshooting .....	9
Service Procedures .....	10
Electrical System .....	10
Motor .....	10
Fan .....	11
Ignitor .....	12
If Gas Leak Occurs .....	13
Specifications .....	13
Illustrated Parts Breakdown and Parts List .....	14, 15
Warranty and Repair Service .....	Back Cover

## FOR YOUR SAFETY

**Do not use this heater in a space where gasoline or other liquids having flammable vapors are stored or used.**

# SAFETY INFORMATION

## WARNINGS

**IMPORTANT:** Read this owner's manual carefully and completely before trying to assemble, operate, or service this heater. Improper use of this heater can cause serious injury or death from burns, fire, explosion, electrical shock, or carbon monoxide poisoning.

**Carbon Monoxide Poisoning:** Early signs of carbon monoxide poisoning resemble the flu, with headaches, dizziness, and/or nausea. If you have these signs, the heater may not be working properly. **Get fresh air at once!** Have heater serviced. Some people are more affected by carbon monoxide than others. These include pregnant women, people with heart or lung disease or anemia, those under the influence of alcohol, and those at high altitudes.

**Propane Gas:** Propane gas is odorless. An odor-making agent is added to propane gas. The odor helps you detect a propane gas leak. However, the odor added to propane gas can fade. Propane gas may be present even though no odor exists.

Make certain you read and understand all warnings. Keep this manual for reference. It is your guide to safe and proper operation of this heater.

*Safety Information continues on next page*

## SAFETY INFORMATION

*Continued*

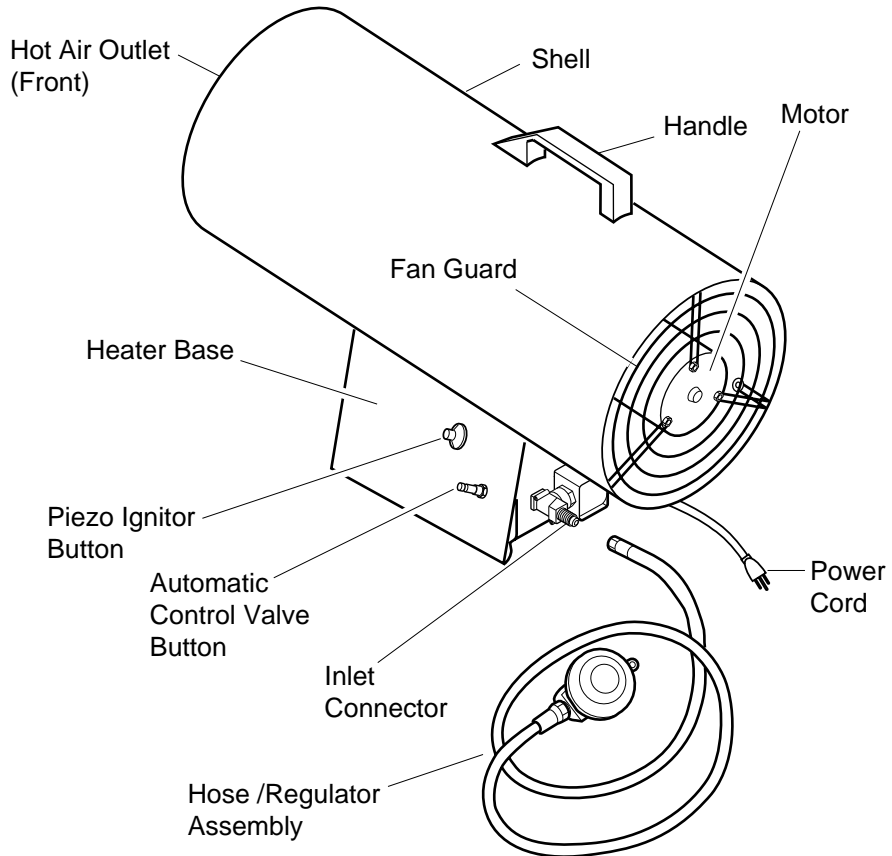
## WARNINGS *Continued*

- Not for domestic use (inside living areas). Use heater for space heating only.
- Intended for temporary heating of buildings under construction, alteration, or repair.
- Install and use heater with care. Follow all local ordinances and codes.
- Use only in a well-vented area away from combustible materials.
- Provide proper ventilation. If not, excessive levels of carbon monoxide (CO) and carbon dioxide (CO<sub>2</sub>) will form. Provide two fresh, outside air openings for ventilation. One opening should be near the floor, the other opening near the ceiling. Each ventilation opening must be at least 130 cm<sup>2</sup>.
- Never use heater where gasoline, paint thinner, or other highly flammable vapors are present. Use only in places free of flammable vapors or high dust content.
- Do not use heater in basements. Propane gas is heavier than air. If a leak occurs, propane gas will sink to the lowest possible level.
- Keep heater away from strong drafts, water spray, rain, or dripping water.
- Check heater for damage before each use. Do not use a damaged heater.
- Use only propane gas, I3P.
- Keep propane tank(s) below 38° C.
- Do not pull or twist gas hose.
- Unhook heater from propane and electrical supply before moving or when not in use.
- Use only the electrical voltage and frequency specified on model plate.
- Use only the hose and regulator provided with the heater.
- Inspect hose before each use. If cut, worn, or damaged, replace before using heater. Use the replacement hose assembly specified in this manual.
- Keep heater at least two meters from propane tank(s). Do not point heater at propane tank(s).
- Minimum heater clearances from combustibles:  
Outlet: 3 meters   Sides: 1 meter   Top: 2 meters   Rear: 1 meter
- Locate heater on stable and level surface if heater is hot or running.
- Keep children and animals away from heater.
- Never block air inlet (rear) or air outlet (front) of heater.
- Never move, handle, or service a hot, operating, or plugged-in heater.
- Do not alter heater. Keep heater in its original state.
- Do not use heater if altered.
- Never attach duct work to front or rear of heater.
- Use only original replacement parts. This heater must use design-specific parts. Do not substitute or use generic parts. Improper replacement parts could cause serious or fatal injuries.
- Electrical installer: Follow all national and local codes.

## UNPACKING

1. Remove all packing items applied to heater for shipment.
2. Remove all items from carton.
3. Check all items for shipping damage. If heater is damaged, promptly inform dealer where you bought heater.

# PRODUCT IDENTIFICATION



**Figure 1 - Model BLP35E**

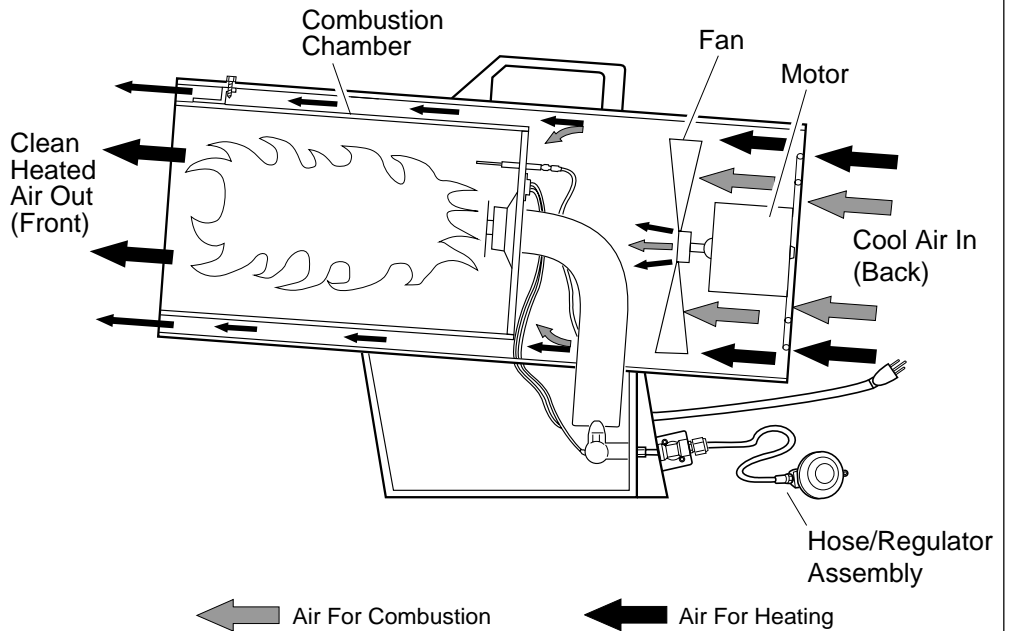
# THEORY OF OPERATION

**The Fuel System:** The hose/regulator assembly attaches to the propane gas supply. This provides fuel to the heater.

**The Air System:** The motor turns the fan. The fan pushes air into and around the combustion chamber. This air is heated and provides a stream of clean, hot air.

**The Ignition System:** The piezo ignitor lights the burner.

**The Burner Control System:** This system causes the heater to shut down if the flame goes out.



**Figure 2 - Cross Section Operational View**

## PROPANE SUPPLY

User must provide propane gas and propane tank(s).

Use this heater only with a propane vapor withdrawal supply system. The amount of propane gas ready for use from propane tanks varies. Two factors decide this amount:

1. The amount of propane gas in tank(s)
2. The temperature of tank(s)

This heater is designed to operate with a minimum 9-kg propane tank. You may need two or more tanks or one larger tank in colder weather. Use a 45-kg tank for longer operation or in very cold weather. Less gas is vaporized at lower temperatures. Your local propane gas dealer will help you select the proper supply system.

### Average Temperature (°C)

At Tank Location	5°	0°	-7°	-12°	-18°
Number Of Tanks (45-kg)	1	1	1	1	1

## INSTALLATION

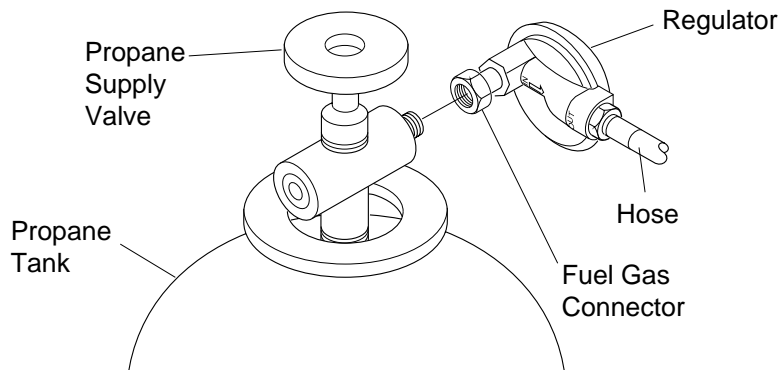
### **⚠ WARNING**

Review and understand the warnings in the Safety Information Section, pages 2 and 3. They are needed to safely operate this heater. Follow all local codes when using this heater.

### **⚠ WARNING**

Test all gas piping and connections for leaks after installation or servicing. Never use an open flame to check for a leak. Apply a mixture of liquid soap and water to all joints. Bubbles forming show a leak. Correct all leaks at once.

1. Provide propane supply system (see *Propane Supply*, above).
2. Connect fuel gas connector on hose/regulator assembly to propane tank(s). Tighten firmly using wrench. **IMPORTANT:** Position regulator so that hose leaving the regulator is in a horizontal position (see Figure 3). This places the regulator vent in the proper position to protect it from the weather.



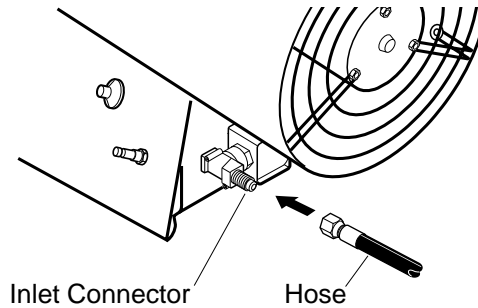
**Figure 3 - Regulator Position**

*Continued*

# INSTALLATION

*Continued*

3. Connect hose to inlet connector. Tighten firmly using a wrench.  
**IMPORTANT:** Use extra hose or piping if needed. Install extra hose or piping between hose/regulator assembly and propane tank. You must use the regulator supplied with heater.



**Figure 4 - Hose and Inlet Connector**

4. Open propane supply valve on propane tank(s).
5. Check all connections for leaks. Apply mixture of liquid soap and water to gas joints. Bubbles forming show a leak that must be corrected.

## **⚠ WARNING**

**Never use an open flame to check for a leak. Apply a mixture of liquid soap and water to all joints. Bubbles forming show a leak that must be corrected. Correct all leaks at once.**

6. Close propane supply valve.

## **⚠ WARNING**

**If you detect a gas leak, turn off propane supply at once. Ventilate the area. Wait until five minutes after propane odor is not present. Follow steps below to check for gas leak.**

## **⚠ WARNING**

**Never use an open flame to check for a leak. Apply a mixture of liquid soap and water to all joints. Bubbles forming show a leak. Correct all leaks at once.**

1. After turning off propane supply and ventilating area, unplug heater power cord.
2. Turn propane supply on.
3. Apply a mixture of liquid soap and water to hose and connections between propane tank(s) and heater inlet. Bubbles forming show a leak.
4. Turn propane supply off and ventilate the area. Repair leak.
5. Wait until five minutes after propane odor is not present before restarting heater.
6. If you cannot repair leak, contact your local service center.

## **⚠ WARNING**

**Provide proper ventilation. If proper fresh, outside air ventilation is not provided, carbon monoxide poisoning can occur. Provide two fresh, outside air openings for ventilation. One opening should be near the floor, the other opening near the ceiling. Each ventilation opening must be at least 130 cm<sup>2</sup>. Provide proper fresh, outside air ventilation before running heater.**

## IF GAS LEAK OCCURS

## VENTILATION



# OPERATION

## **⚠ WARNING**

**Review and understand the warnings in the Safety Information section, pages 2 and 3. They are needed to safely operate this heater. Follow all local codes when using this heater.**

### **To Start Heater**

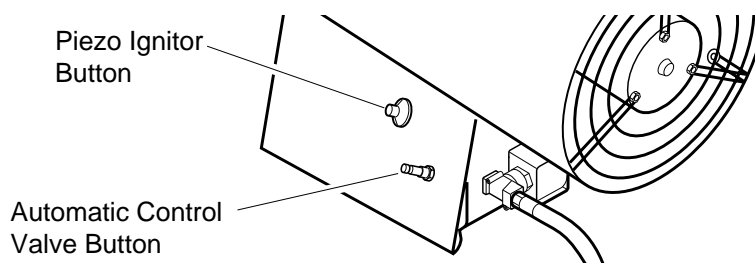
1. Follow all installation, ventilation, and safety information.
2. Locate heater on stable and level surface. Make sure strong drafts do not blow into front or rear of heater.
3. Plug heater power cord into electrical source. Motor will start. Fan will turn, forcing air out front of heater. Electric gas valve will open.
4. Open propane supply valve on propane tank(s).

## **⚠ WARNING**

**Be sure motor and fan are running before pushing in automatic control valve button.**

5. Push in and hold automatic control valve button (see Figure 5). Push piezo ignitor button (see Figure 5). You may need to push piezo ignitor button 3-8 times until the burner lights. When burner lights, keep automatic control valve button pushed in for 30 seconds.

**Note:** If heater fails to ignite, hose may have air in it. If so, keep automatic control valve button pressed and wait 20 seconds. Release automatic control valve button and wait 20 seconds for unburned fuel to exit heater. Repeat step 5.



**Figure 5 - Automatic Control Valve Button and Piezo Ignitor Button**

Visually check combustion in heater. Be sure the flame is blue in color. Flames must not extend beyond the heater outlet.

### **To Stop Heater**

1. Tightly close propane supply valve on propane tank(s).
2. Wait a few seconds. Heater will burn gas left in supply hose.
3. Unplug heater.

### **To Restart Heater**

1. Wait five minutes after stopping heater.
2. Repeat steps under *To Start Heater*, above.

### **To Change Propane Tank(s)**

Change propane tank(s) in a flame-free area. Use only propane gas, I3P.

1. Tightly close the propane supply valve(s) on the propane tank(s).
2. Disconnect the hose/regulator assembly from the propane tank(s).
3. Connect the hose/regulator assembly to the new propane tank(s). Tighten firmly.
4. Check all connections for leaks.

## **⚠ WARNING**

**Never use an open flame to check for a leak. Apply a mixture of liquid soap and water to all joints. Bubbles forming show a leak. Correct all leaks at once.**

## STORAGE

### ⚠ CAUTION

Disconnect heater from propane supply tank(s).

1. Store propane tank(s) in safe manner. Follow all local codes. Always store propane tanks outdoors.
2. Store in dry, clean, and safe place. Do not store hose/regulator assembly inside heater combustion chamber.
3. When taking heater out of storage, always check inside of heater. Insects and small animals may place foreign objects in heater. Keep inside of heater free from combustible and foreign objects. Remove motor and other internal parts if needed to remove foreign objects (see *Service Procedures*, page 10).

## MAINTENANCE

### ⚠ WARNING

Never service heater while it is plugged in, connected to propane supply, operating, or hot. Severe burns and electrical shock can occur.

1. Keep heater clean. Clean heater annually or as needed to remove dust and debris. If heater is dirty or dusty, clean heater with a damp cloth.
2. Inspect heater before each use. Check connections for leaks. Apply mixture of liquid soap and water to connections. Bubbles forming show a leak. Correct all leaks at once.
3. Inspect hose/regulator assembly before each use. If hose is highly worn or cut, replace.
4. Have heater inspected yearly by service person.
5. Keep inside of heater free from combustible and foreign objects. Remove motor and other internal parts if needed to clean inside of heater (see *Service Procedures*, page 10).
6. Clean fan every 500 hours of operation or as needed.

## WIRING DIAGRAM

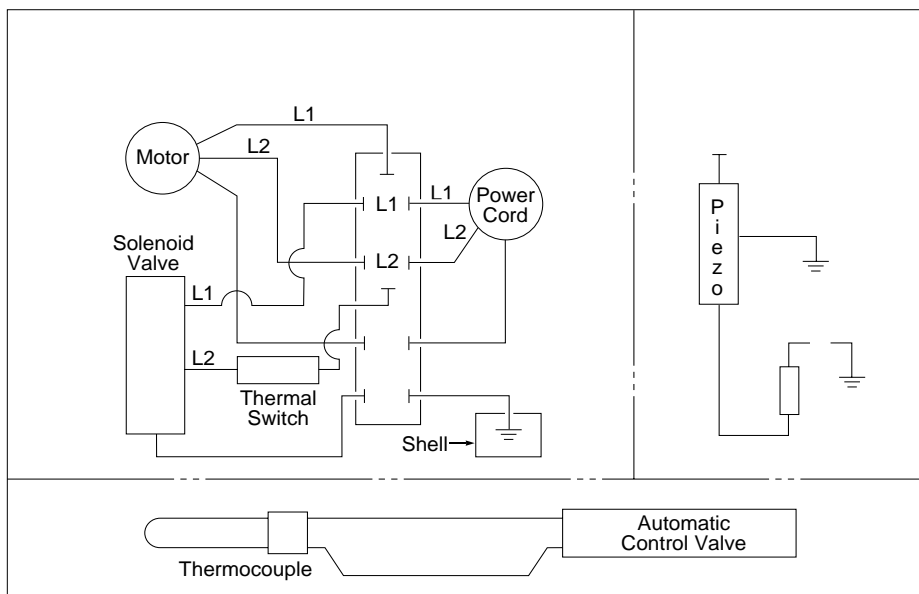


Figure 6 - Wiring Diagram

# TROUBLE-SHOOTING

## WARNING

Never service heater while it is plugged in, connected to propane supply, operating, or hot. Severe burns and electrical shock can occur.

<u>OBSERVED FAULT</u>	<u>POSSIBLE CAUSE</u>	<u>REMEDY</u>
Fan does not turn when heater is plugged in.	No electrical power to heater	Check current to electrical outlet. If current is good, check heater power cord for breaks.
	Fan hitting inside of heater shell	Adjust motor/fan guard to keep fan from hitting inside of heater shell. Bend fan guard if necessary.
	Heater electrical wiring improperly connected	Relocate wires using wiring diagram.
	Fan blades bent	Replace fan. See <i>Motor and Fan</i> , page 10.
	Defective motor	Replace motor. See <i>Motor and Fan</i> , page 10.
Heater will not ignite.	User did not follow installation or operation instructions properly	Repeat installation and operation instructions. See <i>Installation</i> , page 5 and <i>Operation</i> , page 7.
	No spark at ignitor. To test for spark, follow step 8 under <i>Ignitor</i> , page 11. If you see spark at ignitor, have heater serviced by qualified service person. If no spark seen:	A) Check ignitor wire. Tighten or reattach loose ignitor wire. See Figure 11, page 11 for ignitor wire location. B) Set gap between ignitor electrode and target plate to 4.3 mm. C) Tighten nut holding piezo ignitor to base of heater. D) Replace ignitor electrode. See <i>Ignitor</i> , page 11.
	A) Loose or disconnected ignitor wire	
	B) Wrong spark gap C) Piezo ignitor loose D) Bad ignitor electrode	
Heater shuts down while running.	High surrounding air temperature causing thermal limit device to shut down heater.	This can happen when running heater in temperatures above 29° C. Run heater in cooler temperatures.
	Restricted air flow	Check heater inlet and outlet. Remove any obstructions.
	Damaged fan	Replace fan. See <i>Motor and Fan</i> , page 11.
	Excessive dust or debris in surrounding area	

## WARNING

Use only in areas free of high dust content.

Clean heater. See *Maintenance*, page 8.

# SERVICE PROCEDURES

## Motor and Fan

1. Remove three screws that attach fan guard to heater shell.
2. Remove motor and fan guard from heater shell (see Figure 7).
3. Use pliers to remove the fan nut from front of motor shaft (see Figure 8).
4. Remove fan. Be careful not to damage fan blade pitch.
5. Remove three nuts that attach fan guard to motor using nut-driver. Remove fan guard from motor (see Figure 9).
6. Discard old motor.
7. Attach fan guard to new motor with three nuts (see Figure 9). Tighten nuts firmly.
8. Place fan onto motor shaft of new motor.  
**IMPORTANT:** When placing fan onto motor shaft, make sure part number stamped on fan is facing motor. Attach fan nut to end of motor shaft. Tighten fan nut firmly.
9. Place motor and fan guard into rear of heater shell (see Figure 10).
10. Insert three screws through heater shell and into fan guard. Tighten screws firmly.

## ⚠ WARNING

Never service heater while it is plugged in, connected to propane supply, operating, or hot. Severe burns and electrical shock can occur.

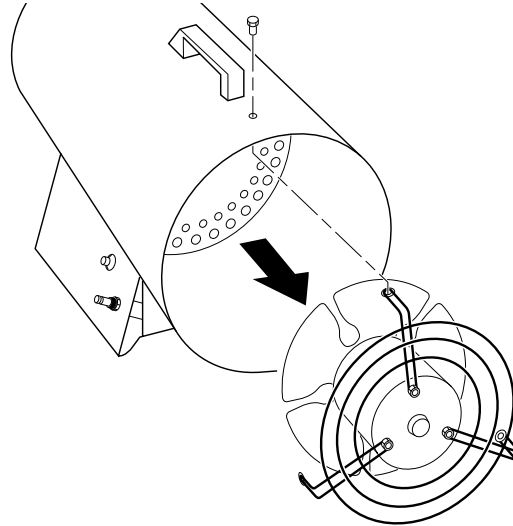


Figure 7 - Removing Motor and Fan Guard from Heater

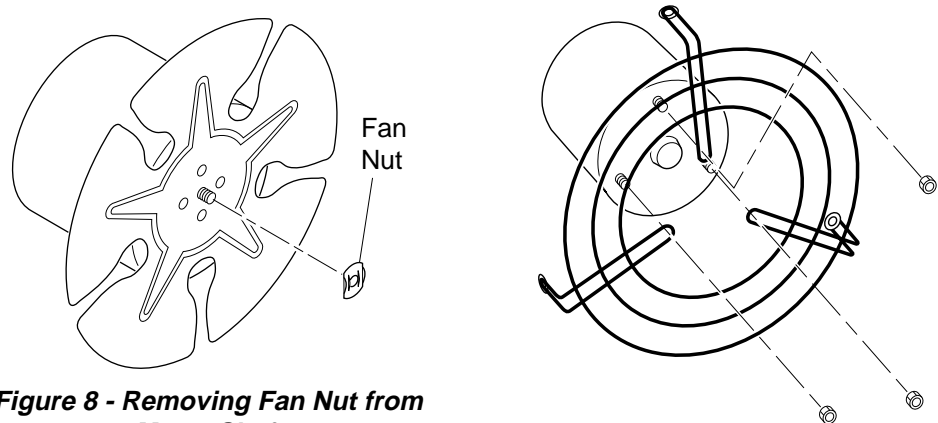


Figure 8 - Removing Fan Nut from Motor Shaft

Figure 9 - Removing or Attaching Fan Guard from Motor

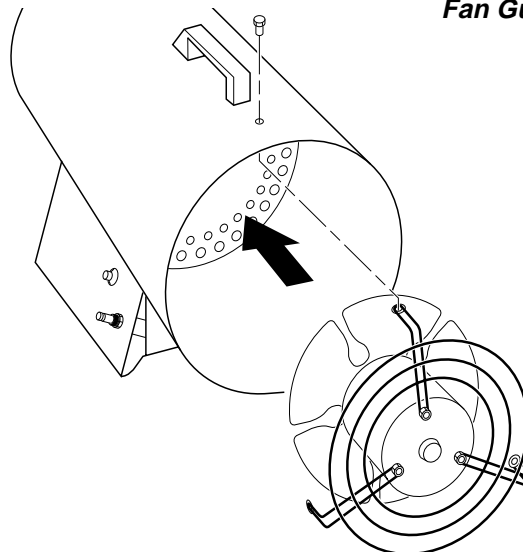


Figure 10 - Replacing Motor and Fan Guard into Heater

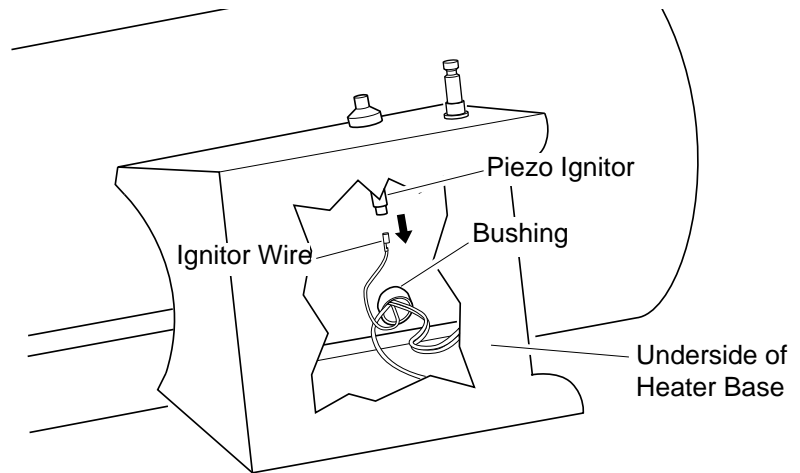
## Ignitor

1. Remove motor and fan guard from heater (see *Motor and Fan*, page 10, steps 1 and 2).
2. Remove black ignitor wire from piezo ignitor. Access ignitor wire through underside of heater base (see Figure 11). Push wire up through bushing in heater shell.
3. Remove ignitor mounting screw from rear head using nut-driver or standard screwdriver (see Figure 12).
4. Remove ignitor from rear head.
5. Install new ignitor. Attach ignitor to rear head with ignitor mounting screw.
6. Run ignitor wire from new ignitor through bushing in heater shell. Attach ignitor wire to piezo ignitor.
7. Set gap between ignitor electrode and target plate to 4.3 mm (see Figure 13).
8. Test for spark.

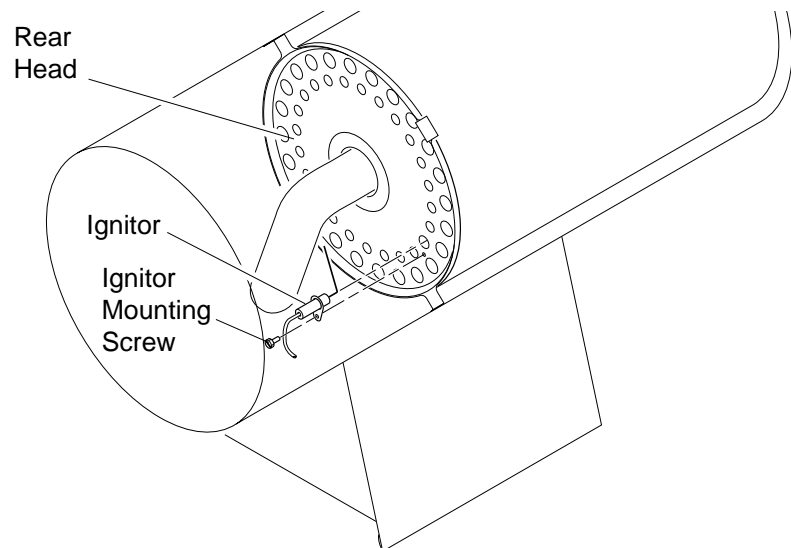
**WARNING: Make sure heater is disconnected from propane supply. Heater could ignite causing severe burns.**

Push piezo ignitor button and watch for spark between ignitor electrode and target plate.

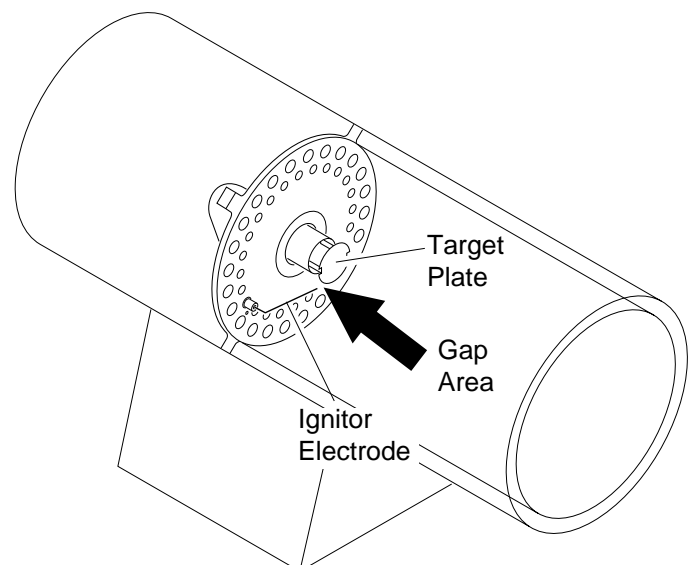
9. Place motor and fan guard into rear of heater shell (see *Motor and Fan*, page 10, steps 9 and 10).



**Figure 11 - Removing Ignitor Wire from Piezo Ignitor**



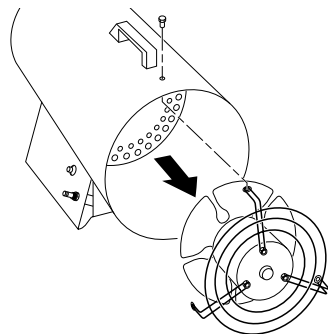
**Figure 12 - Removing Ignitor Mounting Screw and Ignitor**



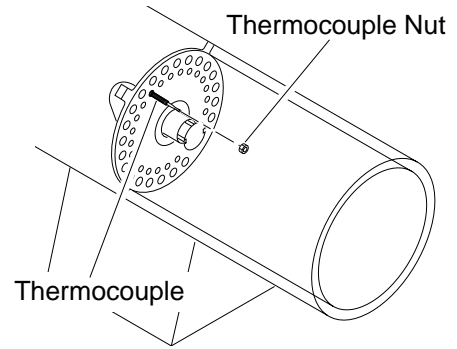
**Figure 13 - Clearance between Ignitor Electrode and Target Plate**

## Thermocouple

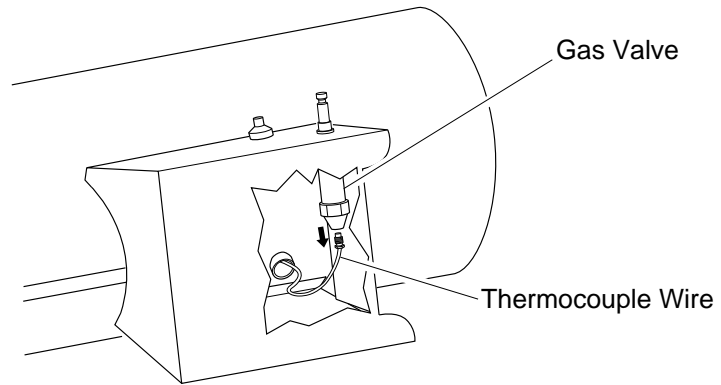
1. Make sure unit is unplugged.
2. Remove three screws that attach fan guard to heater shell.
3. Remove motor and fan guard from heater shell (see Figure 14). Be careful not to damage fan.
4. Remove thermocouple nut located inside the combustion chamber (see Figure 15).
5. Place unit on its side, and remove the thermocouple wire from the gas valve (see Figure 16).
6. Remove thermocouple from the unit.
7. Install first of two nuts on new thermocouple (see Figure 17). Position nut about 40mm from tip of thermocouple.
8. Insert tip of thermocouple through the thermocouple hole in rear head (see Figure 18).
9. Install second nut onto thermocouple. Attach this nut to thermocouple from inside combustion chamber (see Figure 18). Adjust both thermocouple nuts until tip of thermocouple is 40mm from rear head.
10. Tighten thermocouple nuts and confirm 40mm tip location.
11. Thread the thermocouple wire back through unit to gas valve. Tighten thermocouple wire into gas valve until snug (do not over tighten).
12. Place motor and fan guard into rear of heater shell (see Figure 19).
13. Insert three screws through heater shell and into fan guard. Tighten screws firmly.



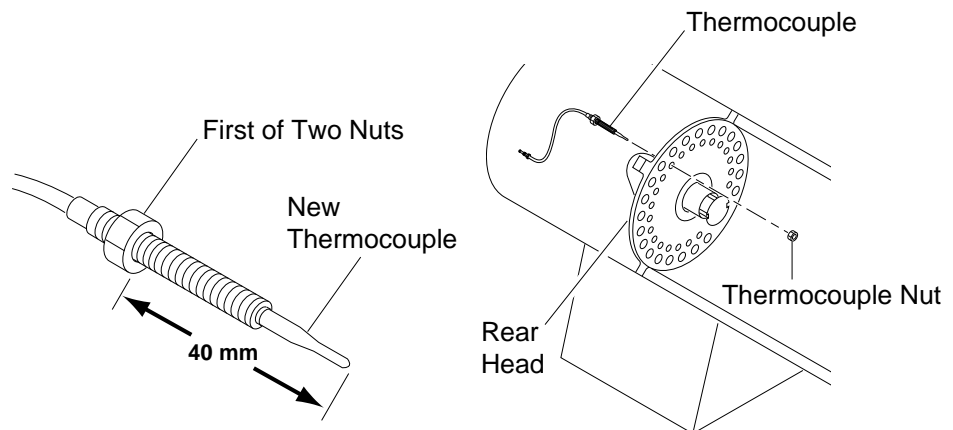
**Figure 14 - Removing Motor and Fan Guard from Heater**



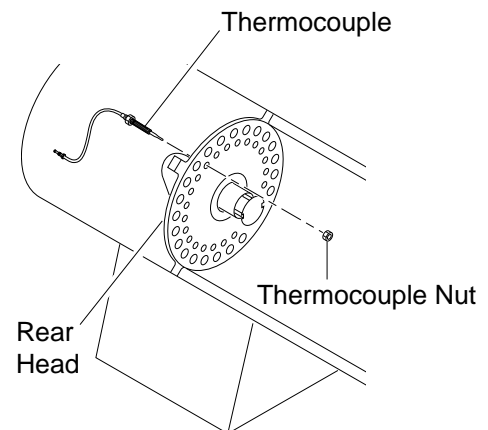
**Figure 15 - Thermocouple Nut Location**



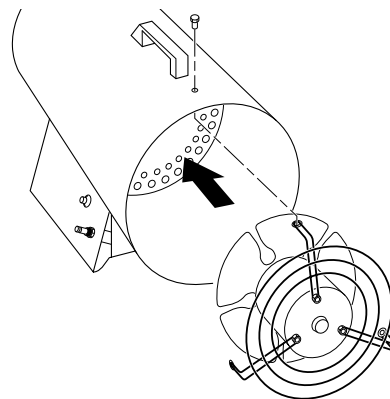
**Figure 16 - Removing Thermocouple Wire from Gas Valve**



**Figure 17 - Installing First Nut on New Thermocouple**



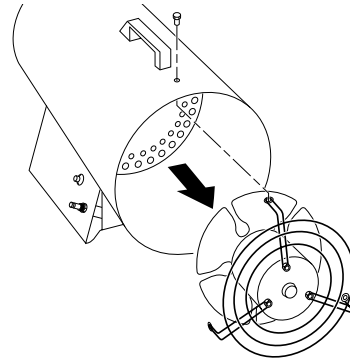
**Figure 18 - Installing New Thermocouple**



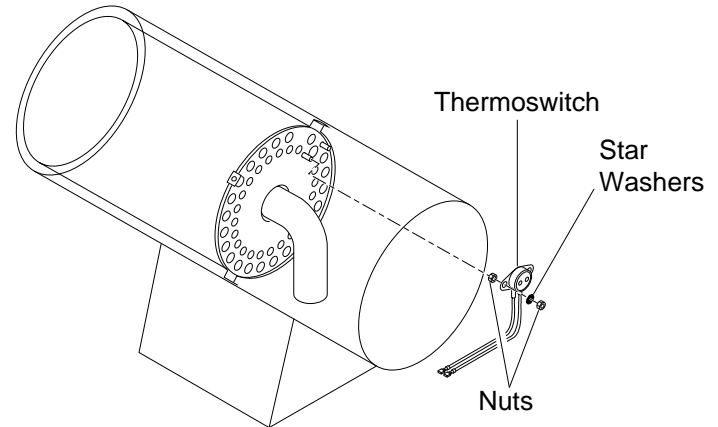
**Figure 19 - Replacing Motor and Fan Guard into Heater**

## Thermoswitch

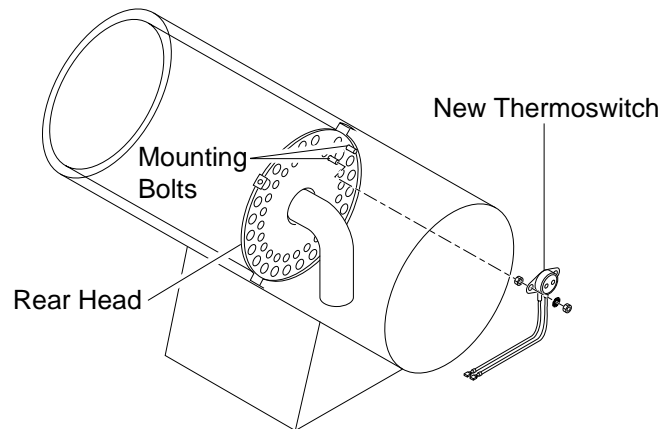
1. Make sure unit is unplugged.
2. Remove three screws that attach fan guard to heater shell.
3. Remove motor and fan guard from heater shell (see Figure 20). Be careful not to damage fan.
4. Remove two nuts and star washers from thermoswitch (see Figure 21).
5. Disconnect the blue thermoswitch leads in base of heater.
6. Remove the thermoswitch assembly.
7. Insert new thermoswitch wires down through hole at bottom of heater shell.
8. Mount new thermoswitch onto the two mounting bolts on rear head (see Figure 22).
9. Replace star washers and nuts onto bolts.
10. **Recommended for accurate results:** Torque the nuts to 4-6 inch/lbs.
11. Place motor and fan guard into rear of heater shell (see Figure 23).
12. Insert three screws through heater shell and into fan guard. Tighten screws firmly.
13. Attach blue thermoswitch leads to terminal block and solenoid valve wire lead (see Wiring Diagram, page 8).



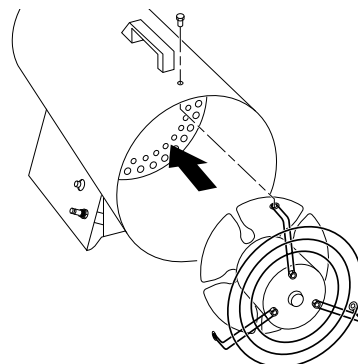
**Figure 20 - Removing Motor and Fan Guard from Heater**



**Figure 21 - Removing Nuts and Star Washers from Thermoswitch**

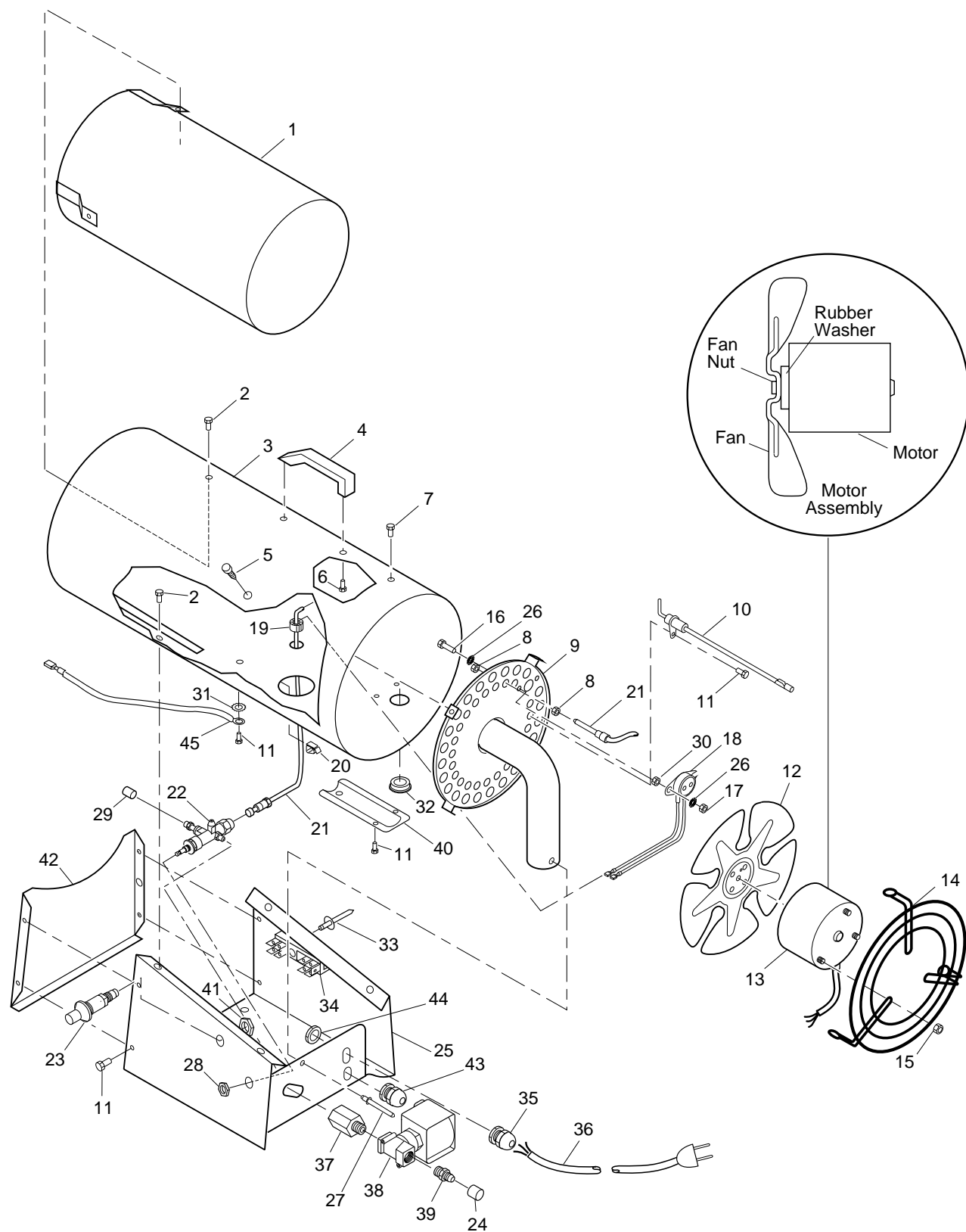


**Figure 22 - Mounting New Thermoswitch onto Mounting Bolts**



**Figure 23 - Replacing Motor and Fan Guard into Heater**

# ILLUSTRATED PARTS BREAKDOWN





# PARTS LIST

This list contains replaceable parts used in your heater. When ordering parts, be sure to provide the correct model and serial numbers (from the model plate), then the part number and description of the desired part.

KEY NO.	PART NUMBER	DESCRIPTION	QTY.	KEY NO.	PART NUMBER	DESCRIPTION	QTY.
1	099568-01	Inner Shell (Combustion Chamber)	1	23	102445-01	Piezo Ignitor	1
2	M11084-26	Hex Tap Screw, #10-16 x 3/8"	7	24	078978-03	Sleeve Cap	1
3	099599-02AB	Outer Shell	1	25	099598-04AA	Base	1
4	M51104-01	Handle	1	26	100397-01	Lock Washer, #4	4
5	099230-01	Hex Tap Shoulder Screw	4	27	099202-02	Steel Rivet, 1/8"	1
6	M11084-29	Hex Tap Screw, #10-16 x 3/4"	2	28	098835-01	Valve Nut	1
7	M11084-27	Hex Tap Screw, #10-16 x 1/2"	3	29	099460-01	Hex Cap	1
8	102592-01	Nut, M6 x .75	2	30	NPF-3C	Nut (Spacer)	2
9	099727-01	Burner Assembly	1	31	WLE-2BL	Lock Washer, #8	1
10	099539-01	Ignitor Electrode	1	32	M50104-01	Bushing, Shorty	1
11	M11084-38	Hex Tap Screw, #8-18 x 3/8"	8	33	099157-01	Rivet, Aluminium	1
12	099537-02	Fan	1	34	099125-10	Terminal Board	1
13	100398-02	Motor Assembly (Includes Rubber Washer and Fan Nut)	1	35	M50400	Strain Relief Bushing	1
14	099540-02	Fan Guard	1	36	097545-01	Power Cord	1
15	097384-02	Captive Washer Nut	3	37	102559-01	Adapter, 1/4 x 1/4	1
16	097968-05	Hex Screw, #4-40 x 1/2"	2	38	102957-01	Valve, Solenoid	1
17	NPC-00C	Hex Nut, #4-40	2	39	097809-01	Male Fitting	1
18	097952-08	Thermal Switch Assembly	1	40	100596-01AB	Guard, Wire	1
19	097776-01	Universal Bushing	1	41	102334-01	Nut, Pal	1
20	099542-01	Wire Clip	1	42	100594-01AA	Cover	1
21	102607-01	Thermocouple	1	43	101520-01	Strain Relief Bushing	1
22	099541-01	Valve/Orifice	1	44	102861-01	Bushing Nut	1
				45	M16841-62	Wire Assembly	1
<b>PARTS AVAILABLE - NOT SHOWN</b>							
					097647-03	Tradename Decal	2
					100400-04	General Information Decal	1
					100404-04	Operation Decal	1
					100399-01	Regulator & Hose Assy.	1
					100168-02	Electrical Decal	1

## SPECIFICATIONS

Model	BLP35E
Electrical Input	220/240 volt, 50 hertz, 55 watts IP21
Maximum Input, net	10.3 KW at 27 millibar
Regulator Output	27 millibar
Burner Rate	10.3 KW, 796 g/hr
Supply Pressure (min.)	2 bar
Ventilation	260 cm <sup>2</sup>
Room Size	103 cubic meters
Air Delivery Class	Type A
Temperature Range for Heater Operation	-29° C to 29° C*

\* When running heater in temperatures above 29° C, high internal temperatures may cause thermal limit device to shut down heater.

# WARRANTY AND REPAIR SERVICE

KEEP THIS WARRANTY

## LIMITED WARRANTY

Van Cranenbroek B.V. warrants this product and any parts thereof, to be free from defects in materials and workmanship for six (6) months from the date of first purchase when operated and maintained in accordance with instructions. This warranty is extended only to the original retail purchaser, when proof of purchase is provided.

This warranty covers only the cost of parts required to restore the product to proper operating condition. Transportation and incidental costs associated with warranty parts are not reimbursable under this warranty.

This warranty does not cover defects resulting from misuse, abuse, negligence, accidents, lack of proper maintenance, normal wear, alteration, modification, tampering, contaminated fuels, repair using improper parts, or repair by anyone other than an authorized dealer or service center. Routine maintenance is the responsibility of the owner.

This express warranty is given in lieu of any other warranty either expressed or implied, including warranties of merchantability and fitness for a particular purpose.

Van Cranenbroek B.V. assumes no responsibility for indirect, incidental or consequential damages.

We reserve the right to amend these specifications at any time without notice. The only warranty applicable is our standard written warranty. We make no other warranty, expressed or implied.

Model \_\_\_\_\_

Serial No. \_\_\_\_\_

Date of Purchase \_\_\_\_\_

**DESA**  
**INTERNATIONAL**

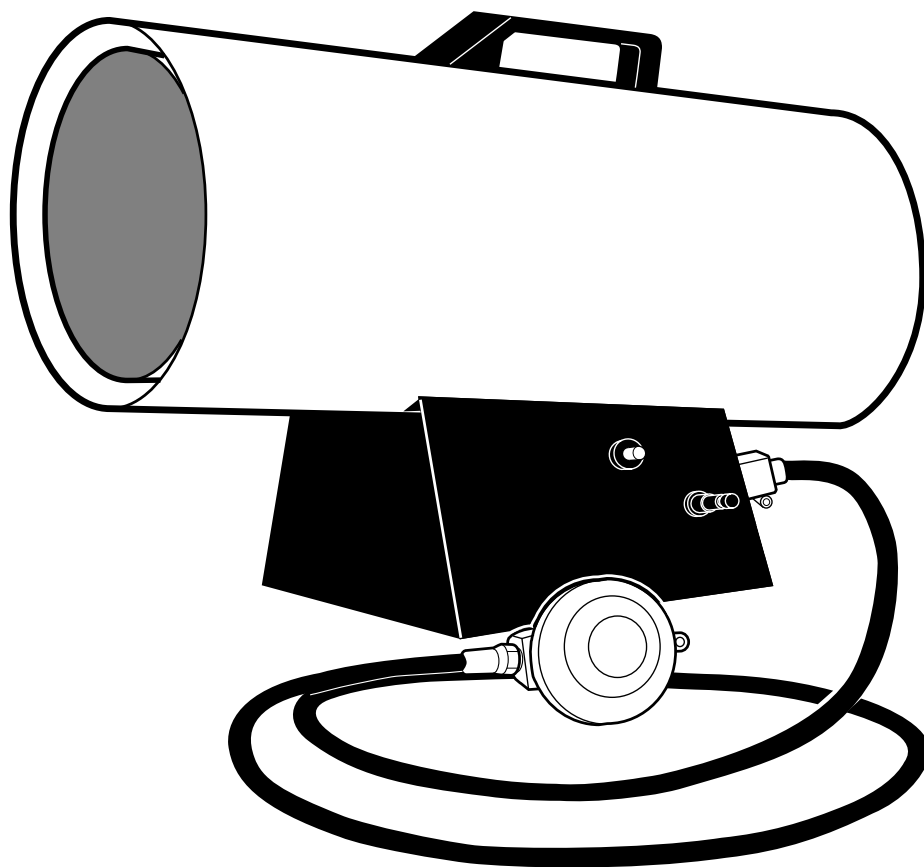
2701 Industrial Drive  
P.O. Box 90004  
Bowling Green, KY 42102-9004  
U.S.A.

For information, write: DESA International, P.O. Box 90004  
Bowling Green, Kentucky 42102-9004 U.S.A.  
ATTN: Customer Service Department

When writing, always include model number and serial number.

# APPAREILS DE CHAUFFAGE AU PROPANE POUR LA CONSTRUCTION

## MANUEL D'UTILISATION



**Modèle : BLP35E**

### **IMPORTANT**

**Veiller à lire et bien comprendre ce manuel avant de monter, de mettre en marche ou d'effectuer l'entretien de cet appareil. Son usage incorrect peut résulter en des blessures graves. Conserver ce manuel pour future référence.**

# TABLE DES MATIÈRES

SECTION	PAGE
Informations concernant la sécurité .....	2
Déballage .....	3
Identification du produit .....	4
Principe de fonctionnement .....	4
Alimentation en propane .....	5
Installation .....	5
En cas de fuite .....	6
Ventilation .....	6
Fonctionnement .....	7
Remisage .....	8
Entretien .....	8
Schéma de câblage .....	8
Dépannage .....	9
Procédures d'entretien .....	10
Moteur et ventilateur .....	10
Allumeur .....	11
Thermocouple .....	12
Thermorupteur .....	13
Vue éclatée et liste des pièces .....	14, 15
Caractéristiques .....	15
Garantie et service après-vente .....	Couverture arrière

## MESURES DE SÉCURITÉ

**Ne pas utiliser cet appareil de chauffage dans un endroit où de l'essence ou d'autres produits volatils inflammables sont entreposés.**

## INFORMATIONS CONCERNANT LA SÉCURITÉ

### AVERTISSEMENTS

**IMPORTANT :** Lire ce manuel d'utilisation attentivement et complètement avant d'essayer d'assembler, d'utiliser ou d'entretenir cet appareil de chauffage. L'usage incorrect de cet appareil peut résulter en des brûlures graves ou mortelles, un incendie, une explosion, un choc électrique ou l'empoisonnement par oxyde de carbone.

**Empoisonnement par oxyde de carbone :** Les signes précoces de l'empoisonnement par oxyde de carbone ressemblent à ceux de la grippe : maux de tête, vertiges et/ou nausée. Si ces symptômes se manifestent, il se peut que l'appareil ne fonctionne pas correctement. **Se rendre immédiatement à l'air frais !** Faire réparer l'appareil. Certaines personnes, telles que les femmes enceintes, les patients atteints d'une maladie cardiaque ou pulmonaire, les anémiques, les personnes sous l'influence de l'alcool et celles se trouvant à haute altitude, sont plus sensibles à l'oxyde de carbone.

**Propane :** Le propane est inodore. Un agent odorisant lui est ajouté. L'odeur aide à la détection des fuites. Toutefois, l'efficacité de l'agent odorisant peut s'estomper et le propane peut être présent en l'absence de toute odeur.

Veiller à lire et bien comprendre tous les avertissements. Conserver ce manuel pour future référence. Il constitue le guide d'utilisation sûre et correcte de l'appareil de chauffage.

*Suite des informations de sécurité au verso.*

# INFORMATIONS CONCERNANT LA SÉCURITÉ

*suite*

## AVERTISSEMENTS *suite*

- Cet appareil n'est pas destiné à l'usage domestique (habitations). Ne l'utiliser que pour le chauffage local.
- Il est conçu pour le chauffage temporaire de bâtiments en cours de construction, de rénovation ou de réparation.
- Installer et utiliser l'appareil avec précaution. Respecter toutes les réglementations et tous les codes locaux.
- N'utiliser que dans des endroits bien ventilés, à l'écart de matériaux combustibles.
- Assurer une ventilation adéquate pour éviter la formation de taux excessifs de monoxyde et de dioxyde de carbone (respectivement CO et CO<sub>2</sub>). Prévoir deux ouvertures d'air frais de l'extérieur, l'une près du sol et l'autre près du plafond, chacune mesurant au moins 130 cm<sup>2</sup>.
- Ne jamais utiliser l'appareil de chauffage dans un endroit où des vapeurs d'essence, de diluant à peinture ou autre produit hautement inflammable sont présentes. Ne l'utiliser que dans des locaux exempts de vapeurs inflammables et ne contenant pas de taux de poussière élevés.
- Ne pas utiliser l'appareil dans des sous-sols. Le propane est plus lourd que l'air. En cas de fuite, ce gaz descend au plus bas niveau possible.
- Tenir l'appareil à l'abri des forts courants d'air, des jets d'eau, de la pluie et des égouttements d'eau.
- Vérifier que l'appareil n'est pas endommagé avant chaque usage. Ne pas utiliser un appareil de chauffage endommagé.
- Utiliser exclusivement du propane I3P.
- Conserver la (les) bouteille(s) de propane au-dessous de 38 °C.
- Ne pas étirer ou tordre le flexible d'alimentation.
- Débrancher l'appareil de la bouteille de propane et de la prise secteur avant de le déplacer ou lorsqu'il n'est pas en usage.
- Utiliser exclusivement la tension et la fréquence spécifiées sur la plaquette signalétique.
- Utiliser exclusivement le flexible et le détendeur fournis avec l'appareil.
- Inspecter le flexible avant chaque usage. S'il est coupé, usé ou endommagé, le remplacer avant d'utiliser l'appareil. Utiliser le flexible de remplacement spécifié dans ce manuel.
- Installer l'appareil à au moins deux mètres de la (des) bouteille(s) de propane. Ne pas diriger le chauffage sur la (les) bouteille(s).
- Distances minimum entre l'appareil et les produits combustibles :  
Sortie : 3 mètres    Côtés : 1 mètre    Dessus : 2 mètres    Arrière : 1 mètre
- Si l'appareil est chaud ou en fonctionnement, le placer sur une surface stable et plane.
- Tenir les enfants et les animaux éloignés de l'appareil.
- Ne jamais bloquer l'entrée (arrière) ou la sortie (avant) d'air de l'appareil.
- Ne jamais déplacer, manipuler ou travailler sur l'appareil s'il est chaud, en fonctionnement ou branché.
- Ne pas modifier l'appareil. Le garder dans son état original.
- Ne pas utiliser l'appareil s'il a été modifié.
- Ne jamais raccorder de conduits à l'avant ou l'arrière de l'appareil.
- Utiliser exclusivement des pièces de rechange d'origine. Cet appareil ne peut utiliser que des pièces spécialement conçues. Ne pas utiliser des pièces différentes ou d'autre fabricants. L'usage de pièces incorrectes peut causer des blessures graves ou mortelles.
- L'installation électrique doit satisfaire à tous les codes nationaux et locaux.

## DÉBALLAGE

1. Retirer tous les articles d'emballage utilisés pour l'expédition.
2. Sortir toutes les pièces du carton.
3. Inspecter toutes les pièces en vue de dommages subis en cours d'expédition. Si l'appareil est endommagé, informer immédiatement le distributeur chez qui il a été acheté.

## IDENTIFICATION DU PRODUIT

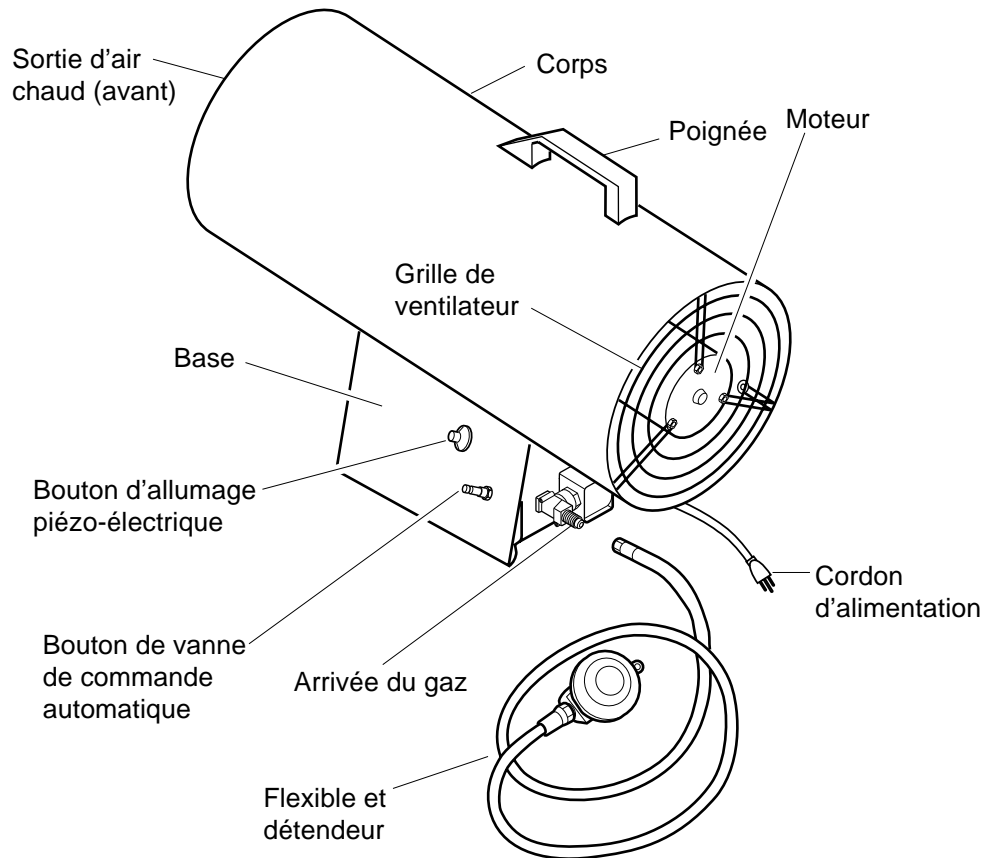


Figure 1 - Modèle BLP35E

## PRINCIPE DE FONCTIONNE- MENT

**Alimentation en combustible :** L'ensemble flexible/détendeur se branche sur la bouteille de propane pour alimenter l'appareil.

**Air forcé :** Le moteur fait tourner le ventilateur, qui pousse l'air dans et autour de la chambre de combustion. L'air est chauffé et sort de l'appareil propre et chaud.

**Allumage :** L'allumeur piézo-électrique enflamme le brûleur.

**Contrôle automatique du brûleur :** Ce dispositif arrête l'appareil si la flamme s'éteint.

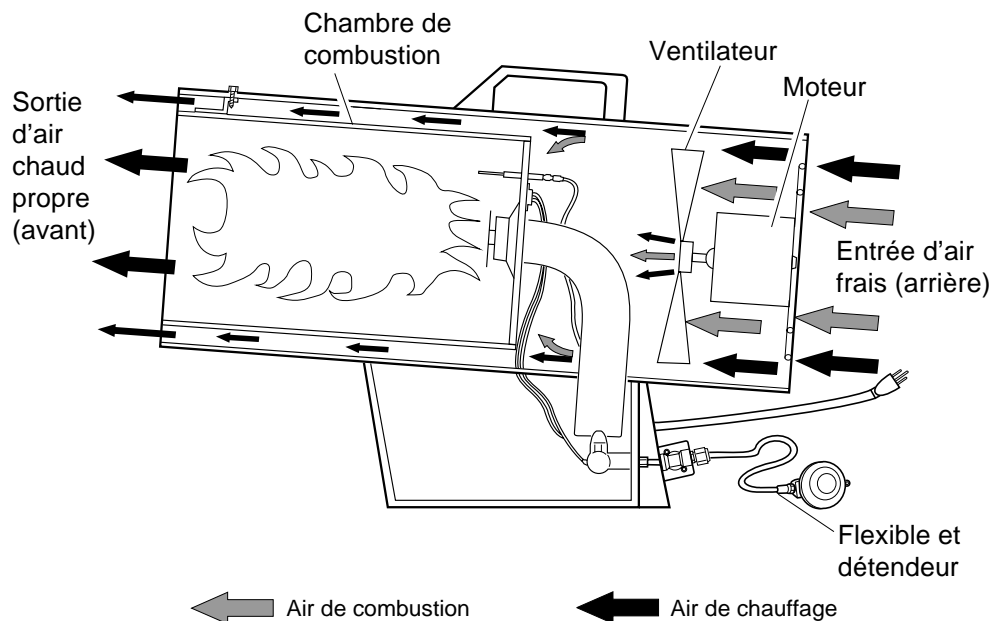


Figure 2 - Vue en coupe de l'appareil en fonctionnement

# ALIMENTATION EN PROPANE

L'utilisateur doit fournir le gaz propane et la (les) bouteille(s)

Cet appareil ne doit être utilisé qu'avec un système d'alimentation à suppression de vapeurs de propane. La quantité de propane prêt à l'usage de la bouteille varie en fonction de deux facteurs :

1. La quantité de gaz dans la (les) bouteille(s).
2. La température de la (des) bouteille(s)

Cet appareil est conçu pour fonctionner avec une bouteille de propane de 9 kg minimum. Deux bouteilles ou plus, ou une bouteille plus grosse peuvent être nécessaires par temps froid. Pour une utilisation prolongée ou par temps très froid, utiliser une bouteille de 45 kg. Une moindre quantité de gaz est vaporisée à basse température. Le distributeur de propane local pourra recommander la taille de bouteille adéquate.

Températures moyennes (°C) à la bouteille	5°	0°	-7°	-12°	-18°
Nombre de bouteilles (45 kg)	1	1	1	1	1

# INSTALLATION

## ⚠ AVERTISSEMENT

Revoir et veiller à bien comprendre les avertissements de la section Informations concernant la sécurité, pages 2 et 3. Ils sont essentiels à la sécurité d'utilisation de l'appareil. Respecter tous les codes locaux lors de l'utilisation de l'appareil.

## ⚠ AVERTISSEMENT

Vérifier que toutes les conduites et tous les branchements de gaz sont exempts de fuites une fois l'installation terminée et après entretien ou réparation. Ne jamais utiliser une flamme pour détecter les fuites. Enduire tous les raccords d'eau savonneuse. La formation de bulles indique une fuite. Réparer immédiatement toute fuite.

1. Se procurer les bouteilles de gaz (voir *Alimentation en propane* ci-dessus).
2. Brancher le connecteur du détendeur sur la (les) bouteille(s) de propane. Serrer fermement à l'aide d'une clé. **IMPORTANT** : Positionner le détendeur de façon à ce que le flexible en sortant soit à l'horizontale (voir la figure 3), afin que l'aérateur du détendeur soit en position correcte pour le protéger des intempéries.

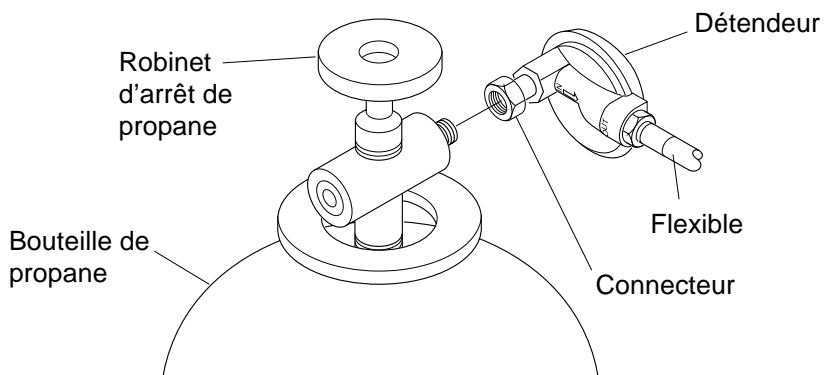


Figure 3 - Positionnement du détendeur

voir page suivante

# INSTALLATION

suite

3. Brancher le flexible sur le connecteur d'entrée. Le serrer fermement avec une clé. **IMPORTANT** : Utiliser un flexible ou un tuyau supplémentaire si nécessaire, entre l'ensemble flexible/détendeur et la bouteille de propane. Le détendeur fourni avec l'appareil doit être utilisé.

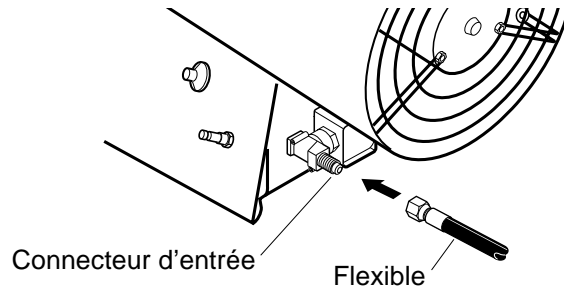


Figure 4 - Flexible et connecteur d'entrée

4. Ouvrir le(s) robinet(s) de la (des) bouteille(s) de propane.
5. Vérifier tous les branchements en vue de fuites. Les enduire d'eau savonneuse. La formation de bulles indique une fuite qui doit être réparée.

## ⚠ AVERTISSEMENT

**Ne jamais utiliser une flamme pour détecter les fuites. Enduire tous les raccords d'eau savonneuse. La formation de bulles indique une fuite. Réparer immédiatement toute fuite.**

6. Fermer le robinet de la bouteille de propane.

## ⚠ AVERTISSEMENT

**Si une fuite est détectée, couper immédiatement l'alimentation en propane. Aérer le local. Attendre cinq minutes après la disparition de l'odeur de propane. Procéder comme indiqué ci-dessous pour localiser les fuites.**

## ⚠ AVERTISSEMENT

**Ne jamais utiliser une flamme pour détecter les fuites. Enduire tous les raccords d'eau savonneuse. La formation de bulles indique une fuite. Réparer immédiatement toute fuite.**

1. Après avoir coupé l'alimentation en propane et aéré le local, débrancher le cordon secteur.
2. Ouvrir l'alimentation en propane.
3. Enduire le flexible et les branchements de la (des) bouteille(s) de propane et de l'appareil d'eau savonneuse. La formation de bulles indique une fuite.
4. Fermer l'alimentation en propane et aérer le local. Réparer la (les) fuite(s).
5. Attendre cinq minutes après la disparition de l'odeur de propane avant de remettre l'appareil en marche.
6. Si la fuite ne peut pas être réparée, contacter le centre de réparation local.

## ⚠ AVERTISSEMENT

**Assurer une ventilation adéquate. L'absence d'entrée d'air frais de l'extérieur peut causer un empoisonnement par oxyde de carbone. Prévoir deux ouvertures d'air frais de l'extérieur, l'une se trouvant près du sol, l'autre près du plafond. Chaque ouverture doit mesurer au moins 130 cm<sup>2</sup>. La ventilation doit être assurée avant de mettre l'appareil en marche.**

# EN CAS DE FUITE

# VENTILATION



# FONCTIONNEMENT

## ⚠ AVERTISSEMENT

Revoir et veiller à bien comprendre les avertissements de la section Informations concernant la sécurité, pages 2 et 3. Ils sont essentiels à la sécurité d'utilisation de l'appareil. Respecter tous les codes locaux lors de l'utilisation de l'appareil.

### Mise en marche

1. Respecter toutes les instructions d'installation, de ventilation et de sécurité.
2. Placer l'appareil sur une surface stable et plane. S'assurer de l'absence de forts courants d'air à l'avant ou l'arrière de l'appareil.
3. Brancher le cordon d'alimentation dans une prise secteur. Le moteur démarre et le ventilateur tourne, forçant l'air hors de l'avant de l'appareil. La vanne de gaz électrique s'ouvre.
4. Ouvrir le robinet de la (des) bouteille(s) de propane.

## ⚠ AVERTISSEMENT

S'assurer que le moteur et le ventilateur tournent avant d'appuyer sur le bouton de vanne de commande automatique.

5. Appuyer sur le bouton de vanne de commande automatique et le maintenir enfoncé (voir la figure 5). Appuyer sur le bouton d'allumeur piézo-électrique (voir la figure 5). Il peut être nécessaire d'appuyer de 3 à 8 fois sur ce bouton pour allumer le brûleur. Maintenir le bouton de vanne de commande automatique enfoncé pendant 30 secondes après l'allumage du brûleur.

*Remarque* : Si l'appareil ne s'allume pas, il se peut que le flexible contienne de l'air. Dans ce cas, maintenir le bouton de vanne de commande automatique enfoncé pendant 20 secondes. Relâcher le bouton et attendre 20 secondes pour permettre au gaz non brûlé de sortir de l'appareil. Répéter l'étape 5.

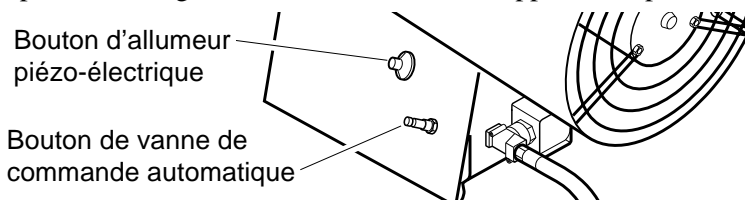


Figure 5 - Boutons de vanne de commande automatique et d'allumeur piézo-électrique

Vérifier visuellement la combustion dans l'appareil. S'assurer que la flamme est de couleur bleue. La flamme ne doit pas dépasser la sortie d'air de l'appareil.

### Arrêt de l'appareil

1. Bien fermer le robinet de la (des) bouteille(s) de propane.
2. Attendre quelques secondes que le gaz se trouvant dans le flexible soit brûlé.
3. Débrancher l'appareil.

### Remise en marche

1. Attendre cinq minutes après l'arrêt de l'appareil.
2. Répéter les étapes de la section *Mise en marche de l'appareil*, page 7.

### Remplacement de la (des) bouteille(s) de propane

Remplacer la (les) bouteille(s) dans un local où aucune flamme n'est présente. Utiliser exclusivement du propane I3P.

1. Bien fermer le(s) robinet(s) de la (des) bouteille(s) de propane.
2. Débrancher le détendeur de la (des) bouteille(s).
3. Brancher le détendeur sur la (les) nouvelle(s) bouteille(s). Serrer fermement.
4. Vérifier tous les branchements en vue de fuites.

## ⚠ AVERTISSEMENT

Ne jamais utiliser une flamme pour détecter les fuites. Enduire tous les raccords d'eau savonneuse. La formation de bulles indique une fuite. Réparer immédiatement toute fuite.

## REMISAGE

### **ATTENTION**

Débrancher l'appareil de la (des) bouteille(s) de propane.

1. Remiser la (les) bouteille(s) de propane en toute sécurité. Respecter tous les codes locaux. Toujours entreposer les bouteilles de gaz à l'extérieur.
2. Remiser les bouteilles dans un endroit sec, propre et sûr. Ne pas ranger l'ensemble flexible/détendeur dans la chambre de combustion de l'appareil.
3. Lors de la sortie du remisage, toujours inspecter l'intérieur de l'appareil. Les insectes et petits animaux peuvent placer des matériaux étrangers à l'intérieur de l'appareil. Veiller à ce que l'intérieur de l'appareil soit exempt de combustibles et matériaux étrangers. Si nécessaire, déposer le moteur et autres pièces internes pour nettoyer l'appareil (voir *Procédures d'entretien*, page 10).

## ENTRETIEN

### **AVERTISSEMENT**

Pour éviter les risques de brûlures ou de choc électrique, ne jamais effectuer l'entretien de l'appareil branché sur le secteur, raccordé à l'alimentation en propane, en fonctionnement ou chaud.

1. Maintenir l'appareil propre. Le nettoyer annuellement ou selon le besoin pour le débarrasser de la poussière et des débris. Si l'appareil est poussiéreux ou sale, le nettoyer avec un chiffon humide.
2. Inspecter l'appareil avant chaque usage. Vérifier l'absence de fuites. Enduire tous les raccords d'eau savonneuse. La formation de bulles indique une fuite. Réparer immédiatement toute fuite.
3. Inspecter l'ensemble flexible/détendeur avant chaque usage. Si le flexible est très usé ou coupé, le remplacer.
4. Faire inspecter l'appareil chaque année par un technicien.
5. Veiller à ce que l'intérieur de l'appareil soit exempt de combustibles et matériaux étrangers. Si nécessaire, déposer le moteur et autres pièces internes pour nettoyer l'appareil (voir *Procédures d'entretien*, page 10).
6. Nettoyer le ventilateur toutes les 500 heures ou selon le besoin.

## SCHÉMA DE CÂBLAGE

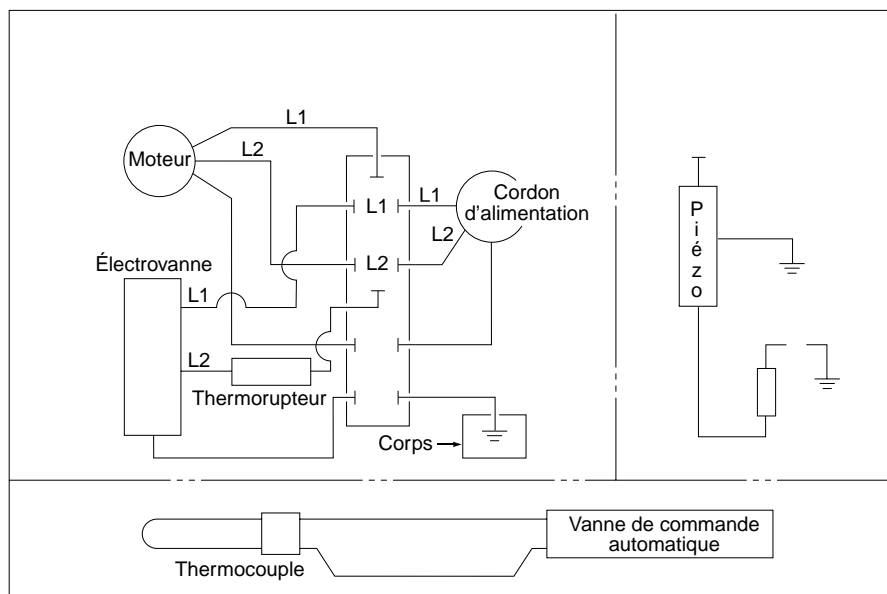


Figure 6 - Schéma de câblage

# DÉPANNAGE

## AVERTISSEMENT

Pour éviter les risques de brûlures ou de choc électrique, ne jamais effectuer l'entretien de l'appareil branché sur le secteur, raccordé à l'alimentation en propane, en fonctionnement ou chaud.

### PROBLÈME

Le ventilateur ne tourne pas lorsque l'appareil est branché.

### CAUSE POSSIBLE

L'appareil n'est pas alimenté en électricité.

Le ventilateur est bloqué par le corps de l'appareil.

Branchements du câblage incorrects.

Pales du ventilateur tordues.

Moteur défectueux.

### REMÈDE

Vérifier la prise secteur. Si elle est sous tension, examiner le cordon d'alimentation en vue de coupures.

Régler la grille de protection du moteur/ventilateur pour empêcher ce dernier de toucher le corps de l'appareil. Au besoin, la grille peut être fléchie.

Rebrancher les fils conformément au schéma de câblage.

Remplacer le ventilateur. Voir la section *Moteur et ventilateur*, page 10.

Remplacer le moteur. Voir la section *Moteur et ventilateur*, page 10.

Le brûleur ne s'allume pas.

Les instructions d'installation ou d'utilisation n'ont pas été suivies correctement.

Pas d'étincelles à l'allumeur. Pour tester l'allumeur, voir l'étape 8 de la section *Allumeur*, page 11. Si une étincelle est visible à l'allumeur, faire réparer l'appareil par un technicien qualifié. Si aucune étincelle n'est visible :

A) un fil de l'allumeur est débranché ou desserré,  
B) l'écartement des électrodes est incorrect,  
C) l'allumeur est desserré,  
D) l'électrode de l'allumeur est défectueuse.

Reprendre les instructions d'installation et d'utilisation. Voir les sections *Installation*, page 5 et *Fonctionnement*, page 7.

A) Vérifier le fil de l'allumeur. Si nécessaire, le serrer ou le rebrancher. Voir l'emplacement du fil à la figure 11, page 11.

B) Régler l'écartement entre l'électrode et la plaque de cathode à 4,3 mm.

C) Serrer l'écrou de montage de l'allumeur sur la base de l'appareil.

D) Remplacer l'électrode. Voir la section *Allumeur*, page 11.

L'appareil s'arrête en cours de fonctionnement.

Température ambiante élevée causant le déclenchement du rupteur thermique d'arrêt de l'appareil.

Passage de l'air bloqué.

Ventilateur endommagé.

Trop de poussière ou de débris autour de l'appareil.

Ceci peut se produire lorsque la température ambiante dépasse 29°C. Utiliser l'appareil dans un endroit moins chaud.

Vérifier l'entrée et la sortie d'air de l'appareil. Éliminer toute obstruction.

Remplacer le ventilateur. Voir la section *Moteur et ventilateur*, page 10.

## AVERTISSEMENT

**Ne pas utiliser dans des endroits excessivement poussiéreux.**

Nettoyer l'appareil. Voir la section *Entretien*, page 8.

# PROCÉDURES D'ENTRETIEN

## Moteur et ventilateur

1. Retirer les trois vis de fixation de la grille du ventilateur au corps de l'appareil.
2. Retirer le moteur et la grille de ventilateur du corps de l'appareil (voir la figure 7).
3. À l'aide de pinces, retirer l'écrou de ventilateur de l'arbre moteur (voir la figure 8).
4. Retirer le ventilateur. Veiller à ne pas changer le pas des pales du ventilateur.
5. Retirer les trois écrous de fixation de la grille de ventilateur au moteur à l'aide d'une clé à douille. Retirer la grille (voir la figure 9).
6. Jeter le moteur défectueux.
7. Monter la grille de ventilateur sur le nouveau moteur avec les trois écrous (voir la figure 9). Serrer les écrous fermement.
8. Installer le ventilateur sur l'arbre du nouveau moteur.  
**IMPORTANT :** Lors de l'installation du ventilateur sur l'arbre moteur, veiller à ce que le numéro de référence estampillé sur le ventilateur soit dirigé vers le moteur. Visser l'écrou de ventilateur sur l'extrémité de l'arbre et le serrer fermement.
9. Remettre le moteur et la grille de ventilateur en place dans l'arrière de l'appareil (voir la figure 10).
10. Insérer les trois vis dans les trous de la grille et du corps de l'appareil et les serrer fermement.

## ⚠ AVERTISSEMENT

Pour éviter les risques de brûlures ou de choc électrique, ne jamais effectuer l'entretien de l'appareil branché sur le secteur, raccordé à l'alimentation en propane, en fonctionnement ou chaud.

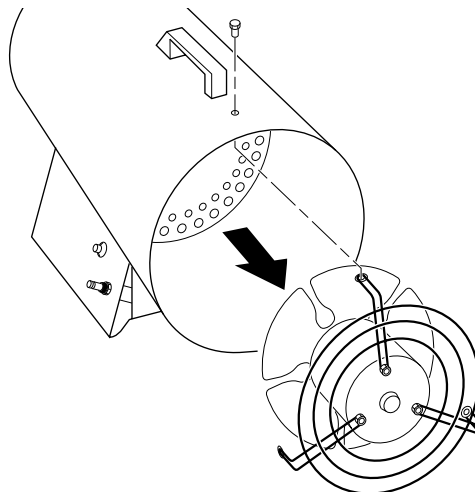


Figure 7 - Dépose du moteur et de la grille du ventilateur

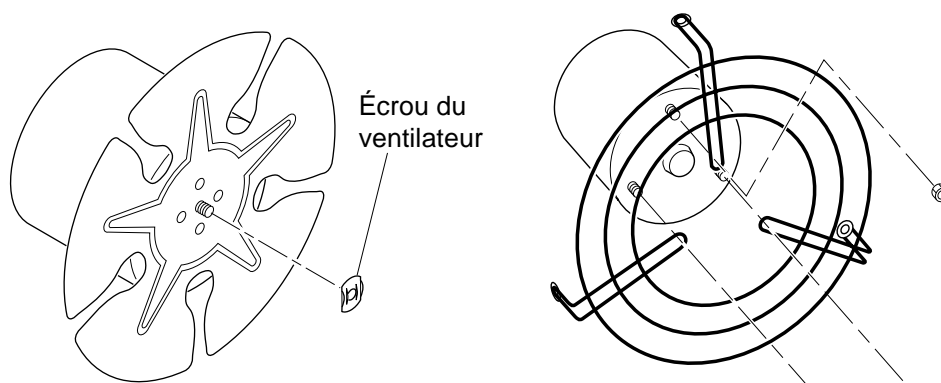


Figure 8 - Retrait de l'écrou du ventilateur

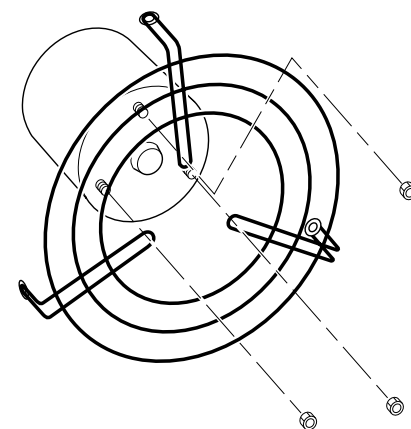


Figure 9 - Fixation de la grille de ventilateur sur le moteur

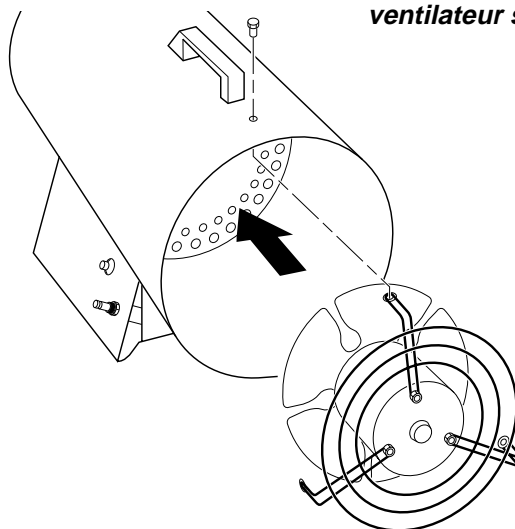


Figure 10 - Remise en place du moteur et de la grille du ventilateur

## Allumeur

1. Retirer le moteur et la grille de ventilateur de l'appareil (voir les étapes 1 et 2 de la section *Moteur et ventilateur*, page 10).
2. Débrancher le fil noir de l'allumeur piézo-électrique. Le fil est accessible par le dessous de la base de l'appareil (voir la figure 11). Pousser le fil au travers du passe-câble du corps de l'appareil.
3. Retirer la vis de montage de l'allumeur par le flasque arrière, à l'aide d'une clé à douille ou d'un tournevis standard (voir la figure 12).
4. Retirer l'allumeur du flasque arrière.
5. Installer le nouvel allumeur. Le fixer sur le flasque arrière à l'aide de la vis de montage.
6. Passer le fil dans le passe-câble du corps de l'appareil et le brancher sur l'allumeur.
7. Régler l'écart entre l'électrode et la plaque de cathode à 4,3 mm (voir la figure 13).
8. Vérifier que l'allumeur produit des étincelles.  
**AVERTISSEMENT :**  
**S'assurer que l'appareil est débranché de l'alimentation en propane, car il pourrait s'allumer, causant des brûlures graves.**  
Appuyer sur le bouton de l'allumeur et vérifier la présence d'étincelles entre l'électrode et la plaque de cathode.
9. Remettre le moteur et la grille de ventilateur en place dans l'arrière de l'appareil (voir les étapes 9 et 10 de la section *Moteur et ventilateur*, page 10).

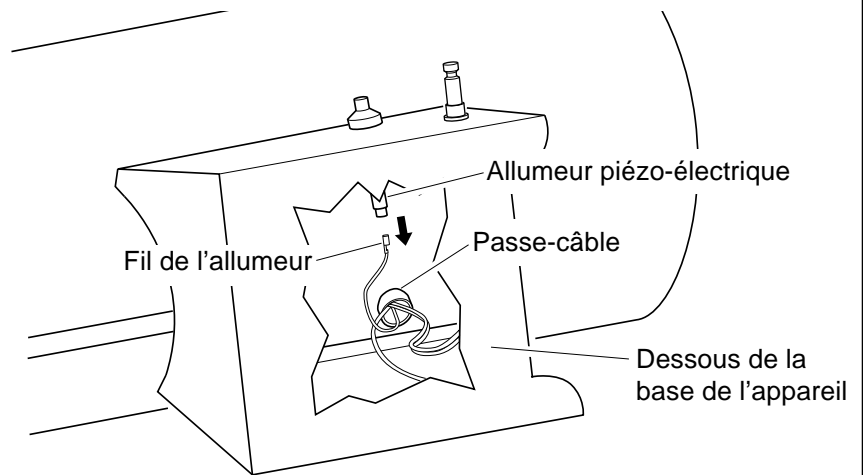


Figure 11 - Débranchement du fil de l'allumeur

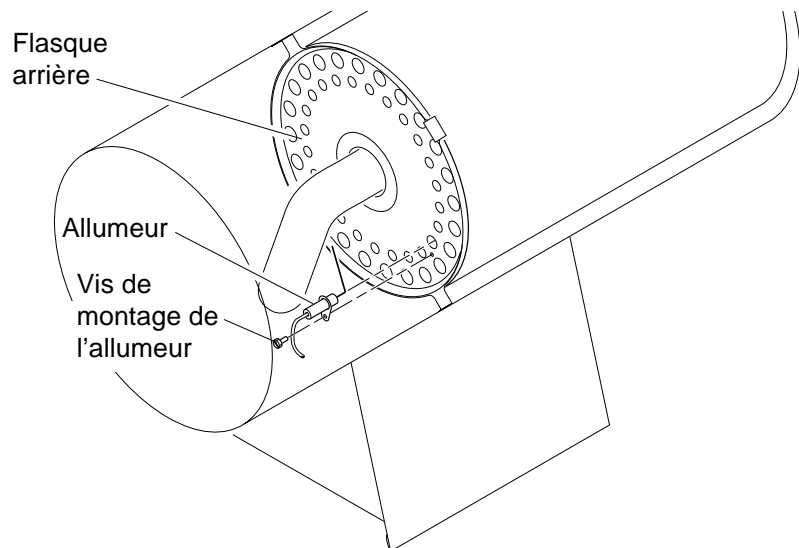


Figure 12 - Retrait de la vis de montage de l'allumeur

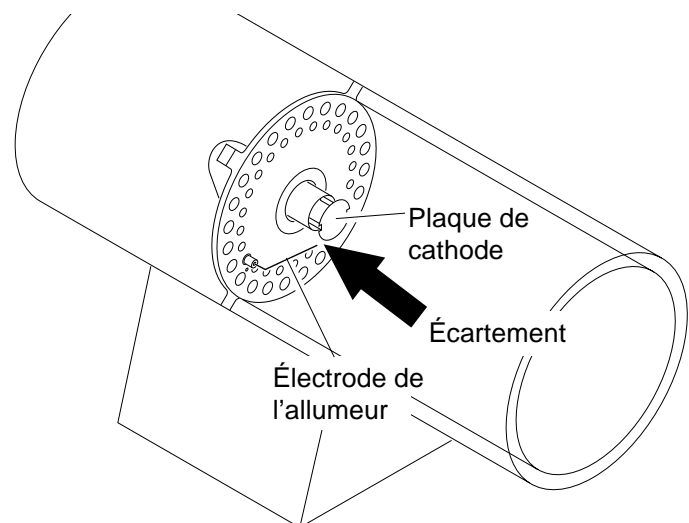
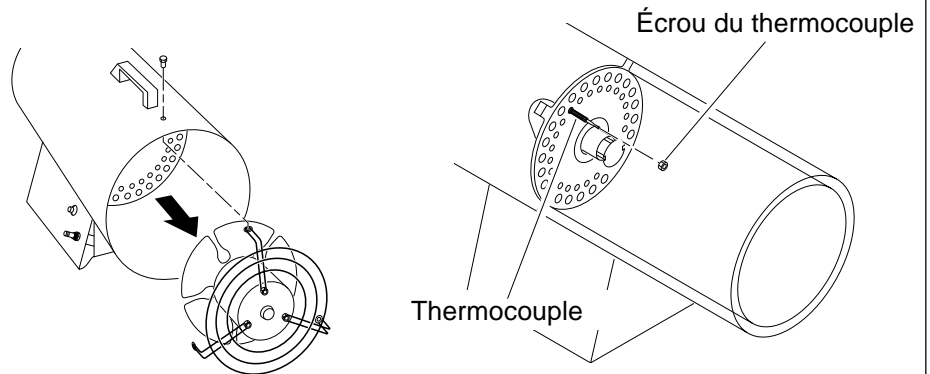


Figure 13 - Écartement entre l'électrode de l'allumeur et la plaque de cathode

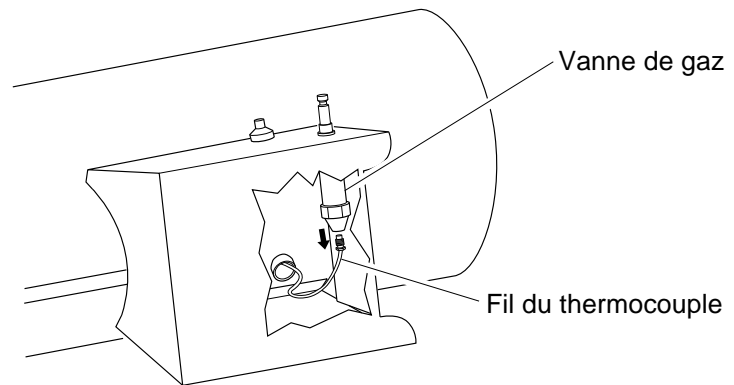
## Thermocouple

1. S'assurer que l'appareil est débranché.
2. Retirer les trois vis de fixation de la grille de ventilateur au corps de l'appareil.
3. Sortir le moteur et la grille de ventilateur du corps de l'appareil (voir la figure 14). Veiller à ne pas endommager le ventilateur.
4. Retirer l'écrou du thermocouple se trouvant à l'intérieur de la chambre de combustion (voir la figure 15).
5. Coucher l'appareil sur le côté et débrancher le fil du thermocouple de la vanne de gaz (voir la figure 16).
6. Sortir le thermocouple de l'appareil.
7. Installer la première des deux vis sur le nouveau thermocouple (voir la figure 17). Placer l'écrou à environ 40 mm de la pointe du thermocouple.
8. Insérer la pointe du thermocouple dans le trou prévu à cet effet dans le flasque arrière (voir la figure 18).
9. Installer le second écrou sur le thermocouple. Cet écrou se monte depuis l'intérieur de la chambre de combustion (voir la figure 18). Régler les écrous du thermocouple de façon à ce que sa pointe soit à 40 mm du flasque arrière.
10. Serrer les écrous du thermocouple et vérifier la distance de 40 mm.
11. Acheminer le fil du thermocouple dans le corps de l'appareil jusqu'à la vanne de gaz. Serrer le fil dans la vanne pour le maintenir (ne pas trop serrer).
12. Remettre le moteur et la grille de ventilateur en place dans l'arrière de l'appareil (voir la figure 19).

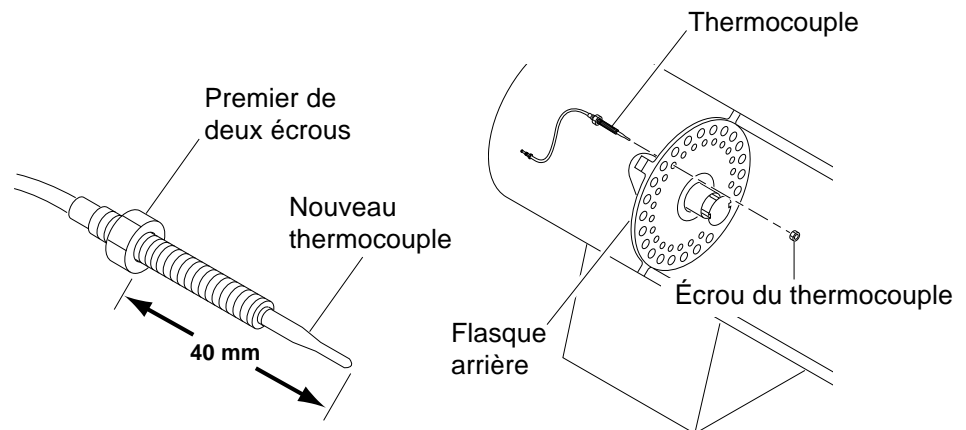


**Figure 14 - Dépose du moteur et de la grille du ventilateur**

**Figure 15 - Emplacement de l'écrou du thermocouple**

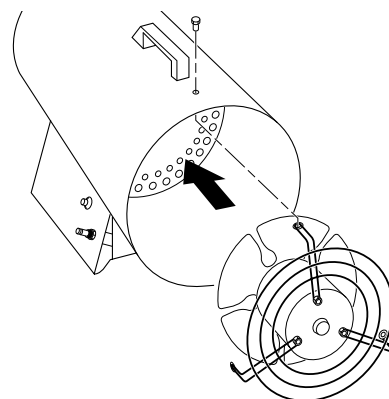


**Figure 16 - Retrait du fil de thermocouple de la vanne de gaz**



**Figure 17 - Installation du premier écrou sur le nouveau thermocouple**

**Figure 18 - Installation du nouveau thermocouple**



**Figure 19 - Remise en place du moteur et de la grille de ventilateur**

13. Insérer les trois vis dans les trous de la grille et du corps de l'appareil et les serrer fermement.

### Thermorupteur

1. S'assurer que l'appareil est débranché.
2. Retirer les trois vis de fixation de la grille de ventilateur au corps de l'appareil.
3. Sortir le moteur et la grille de ventilateur du corps de l'appareil (voir la figure 20). Veiller à ne pas endommager le ventilateur.
4. Retirer les deux écrous et rondelles crénelées du thermorupteur (voir la figure 21).
5. Débrancher les fils bleus du thermorupteur de la base de l'appareil.
6. Sortir l'ensemble de thermorupteur.
7. Passer les fils du nouveau thermorupteur dans le trou du bas du corps de l'appareil.
8. Monter le nouveau thermorupteur sur les deux boulons de flasque arrière (voir la figure 22).
9. Remettre les rondelles crénelées et écrous sur les boulons.
10. **Recommandation pour un résultat précis :** Serrer les écrous à 0,45 à 0,68 N•m (4 à 6 in-lb).
11. Remettre le moteur et la grille de ventilateur en place dans l'arrière de l'appareil (voir la figure 23).
12. Insérer les trois vis dans les trous de la grille et du corps de l'appareil et les serrer fermement.
13. Brancher les fils bleus du thermorupteur sur le bornier et le fil de l'électrovanne (voir le schéma de câblage, page 8).

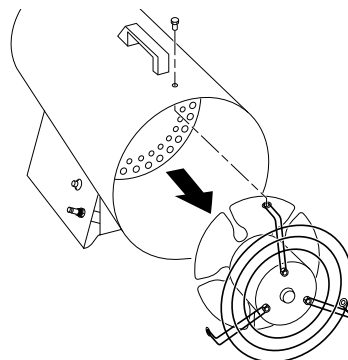


Figure 20 - Dépose du moteur et de la grille du ventilateur

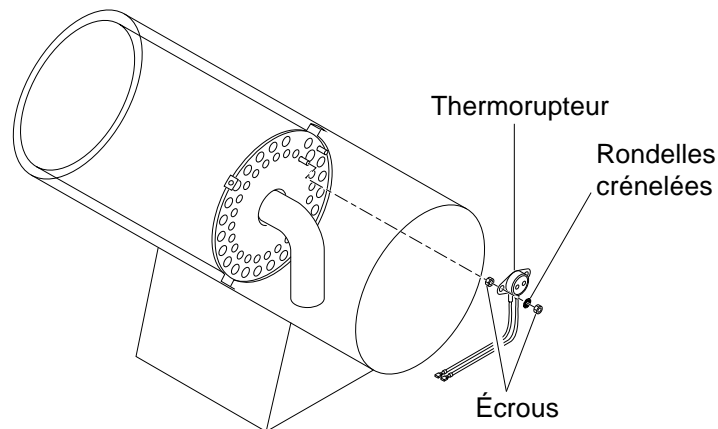


Figure 21 - Retrait des écrous et rondelles crénelées du thermorupteur

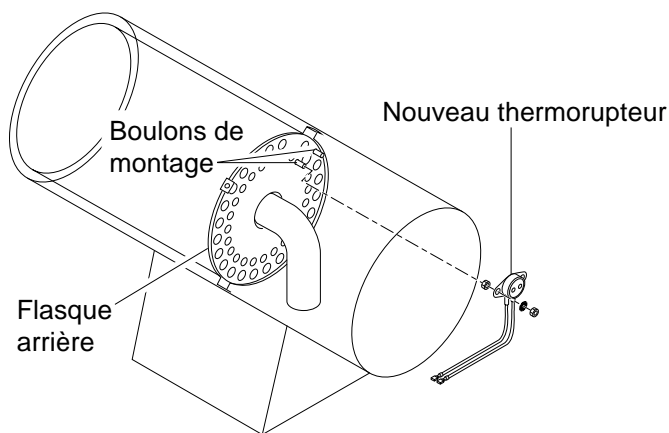


Figure 22 - Installation du nouveau thermorupteur sur les boulons de montage

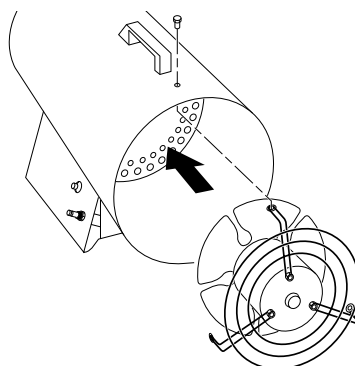


Figure 23 - Remise en place du moteur et de la grille de ventilateur





# LISTE DES PIÈCES

Cette liste est celle des pièces remplaçables de l'appareil de chauffage. Lors de la commande de pièces, ne pas oublier de fournir les numéros de modèle et de série corrects (inscrits sur la plaquette signalétique), ainsi que le numéro de référence et la description de la pièce désirée.

PIÈCE	N° DE RÉF	DESCRIPTION	QTÉ	PIÈCE	N° DE RÉF	DESCRIPTION	QTÉ
1	099568-01	Intérieur du corps (chambre de combustion)	1	26	100397-01	Rondelle-frein n° 4	4
2	M11084-26	Vis autotaraudeuse n° 10-16 x 3/8"	7	27	099202-02	Rivet en acier de 1/8"	1
3	099599-02AB	Extérieur du corps	1	28	098835-01	Écrou de vanne	1
4	M51104-01	Poignée	1	29	099460-01	Capuchon hexagonal	1
5	099230-01	Vis autotaraudeuse à épaulement	4	30	NPF-3C	Écrou (écartement)	2
6	M11084-29	Vis autotaraudeuse n° 10-16 x 3/4"	2	31	WLE-2BL	Rondelle-frein n° 8	1
7	M11084-27	Vis autotaraudeuse n° 10-16 x 1/2"	3	32	M50104-01	Oeillet de passe-câble	1
8	102592-01	Écrou M6 x .75	2	33	099157-01	Rivet en aluminium	1
9	099727-01	Ensemble de brûleur	1	34	099125-10	Bornier	1
10	099539-01	Électrode de l'allumeur	1	35	M50400	Soulagement de tension	1
11	M11084-38	Vis autotaraudeuse n° 8-18 x 3/8"	8	36	097545-01	Cordon d'alimentation	1
12	099537-02	Ventilateur	1	37	102559-01	Adaptateur 1/4 x 1/4	1
13	100398-02	Ensemble moteur (avec rondelle en caoutchouc et écrou de ventilateur)	1	38	102957-01	Électrovanne	1
14	099540-02	Grille de ventilateur	1	39	097809-01	Raccord mâle	1
15	097384-02	Écrou à rondelle captive	3	40	100596-01AB	Protège-fils	1
16	097968-05	Vis hexagonale n° 4-40 x 1/2"	2	41	102334-01	Écrou de blocage	1
17	NPC-00C	Écrou n° 4/40	2	42	100594-01AA	Couvercle	1
18	097952-08	Ensemble de thermorupteur	1	43	101520-01	Soulagement de tension	1
19	097776-01	Manchon universel	1	44	102861-01	Écrou de soulagement de tension	1
20	099542-01	Attache-fils	1	45	M16841-62	Fil	1
21	102607-01	Thermocouple	1	<b>PIÈCES DISPONIBLES PAS ILLUSTRÉES</b>			
22	099541-01	Vanne/orifice	1		097647-03	Autocollant de marque	2
23	102445-01	Allumeur piézo-électrique	1		100400-04	Autocollant d'informations générales	1
24	078978-03	Capuchon	1		100404-04	Autocollant de mode d'emploi	1
25	099598-04AA	Base	1		100399-01	Ensemble détendeur et flexible	1
					100168-02	Autocollant de caractéristiques électriques	1

## CARACTÉRISTIQUES

Modèle	BLP35E
Alimentation électrique	220/240 Volts, 50 hertz, 55 watts IP21
Puissance d'entrée maximum brute	10,3 kW à 27 millibar
Pression de sortie du détendeur	27 millibar
Débit du brûleur	10,3 kW, 796 gal/h
Pression d'alimentation (min.)	2 bar
Ventilation	260 cm <sup>2</sup>
Volume du local	103 cm <sup>3</sup>
Classe de débit d'air	Type A
Gamme de températures de fonctionnement	-29 à +29 °C

\* Si la température ambiante dépasse 29 °C, la température interne peut causer le déclenchement du rupteur, arrêtant l'appareil.

# GARANTIE ET SERVICE APRÈS-VENTE

## CONSERVER CETTE GARANTIE

### GARANTIE LIMITÉE

Van Cranenbroek B.V. garantit ce produit et toutes ses pièces contre tous vices de matériaux et de fabrication, pour une période de six (6) mois, à compter de la date d'achat originale, sous réserve que l'appareil soit utilisé et entretenu conformément aux instructions. Cette garantie ne couvre que l'acheteur original, qui devra présenter une preuve d'achat.

Cette garantie ne couvre que le coût des pièces nécessaires à la remise en état de fonctionnement correct du produit. Les frais d'expédition et autres concernant les pièces ne sont pas remboursables aux termes de cette garantie.

Cette garantie ne couvre pas les défaillances résultant d'un usage incorrect ou abusif, de négligence, d'accidents, de manque d'entretien, d'usure normale, de modifications de toute nature, de contamination du carburant, d'usage de pièces incorrectes pour les réparations ou de réparation par toute autre entité que le concessionnaire ou le centre de réparations agréé. Les entretiens de routine sont la responsabilité du propriétaire.

Cette garantie expresse remplace toute autre garantie, expresse ou implicite, y compris les garanties de valeur marchande ou d'adéquation à un usage particulier.

Van Cranenbroek B.V. décline toute responsabilité pour les dommages directs ou indirects.

Nous nous réservons de droit de modifier les termes de la garantie à tout moment, sans préavis. La seule garantie valable est notre garantie écrite. Nous ne faisons aucune autre garantie, expresse ou implicite.

Modèle \_\_\_\_\_

N° de série \_\_\_\_\_

Date d'achat \_\_\_\_\_

**DESA**  
**INTERNATIONAL**

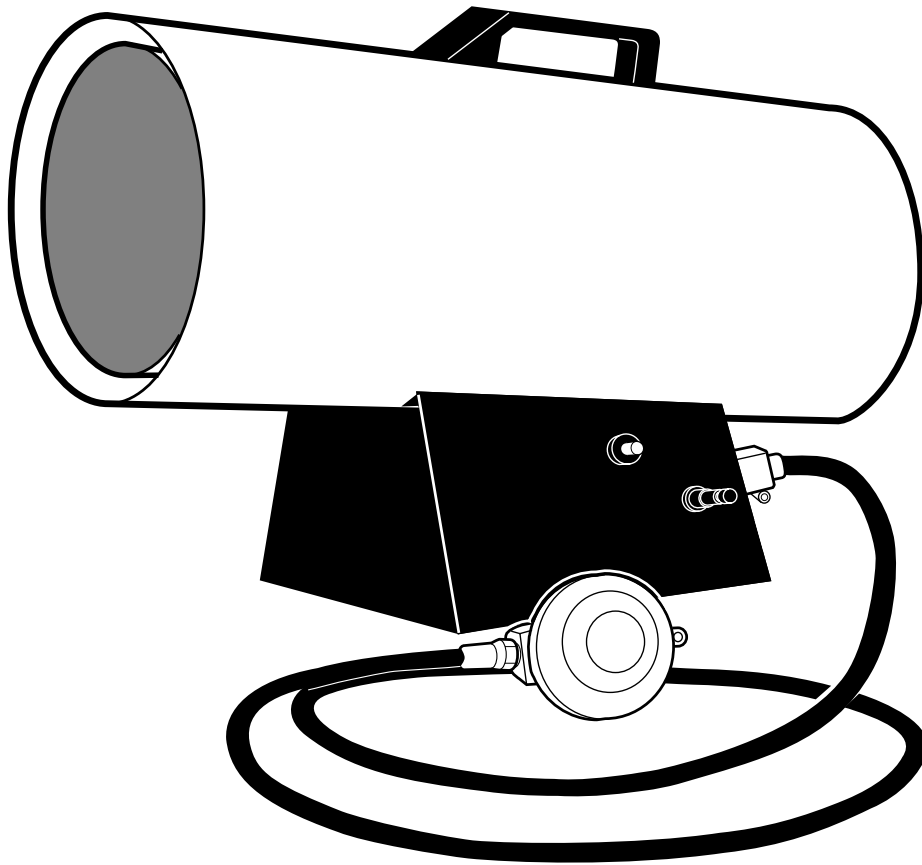
2701 Industrial Drive  
P.O. Box 90004  
Bowling Green, KY 42102-9004  
U.S.A.

Pour toute information, écrire à DESA International, P.O. Box 90004  
Bowling Green, KY 42102-9004 U.S.A.  
ATTN : Customer Service Department

Inclure les numéros de modèle et de série avec toute correspondance.

# PROPAN-BAUSTEL- LEN-HEIZGERÄT

## BETRIEBSANLEITUNG



**Modell: BLP35E**

### **WICHTIG**

**Bitte lesen Sie diese Betriebsanleitung, und machen Sie sich damit vertraut, bevor Sie das Heizgerät zusammenbauen, in Betrieb nehmen oder warten. Bei unsachgemäßem Gebrauch des Heizgerätes besteht die Gefahr schwerer Verletzungen. Bewahren Sie diese Anleitung für späteres Nachschlagen auf.**

# INHALT

ABSCHNITT	SEITE
Sicherheitsvorschriften .....	2
Auspacken .....	3
Produktkennzeichnung .....	4
Funktionsweise .....	4
Propanzufuhr .....	5
Installation .....	5
Wenn ein Gasleck auftritt .....	6
Belüftung .....	7
Betrieb .....	7
Lagerung .....	9
Wartung .....	9
Schaltbild .....	9
Störungssuche und Abhilfe .....	10
Wartungsverfahren .....	12
Motor und Gebläse .....	12
Zündvorrichtung .....	13
Thermoelement .....	15
Thermoschalter .....	16
Aufgeschlüsseltes Teilediagramm und Teileliste .....	18, 19
Technische Daten .....	19
Gewährleistung und Reparaturdienst .....	Hintere Umschlagseite

## IM INTERESSE IHRER SICHERHEIT

**Verwenden Sie dieses Heizgerät nicht in einem Raum, in dem Benzin oder andere Flüssigkeiten mit entzündlichen Gasen gelagert oder benutzt werden.**

## SICHERHEITS- VOR- SCHRIFTEN

### ACHTUNG

**WICHTIG:** Bitte lesen Sie diese Betriebsanleitung sorgfältig und vollständig durch, bevor Sie dieses Heizgerät zusammenbauen, in Betrieb nehmen oder warten. Bei unsachgemäßem Gebrauch dieses Heizgerätes besteht Verletzungs- oder Lebensgefahr durch Verbrennungen, Feuer, Explosion, Elektroschock oder Kohlenmonoxidvergiftung.

**Kohlenmonoxidvergiftung:** Die ersten Anzeichen einer Kohlenmonoxidvergiftung ähneln der Grippe, d.h. es kommt zu Kopfschmerzen, Schwindelgefühl und/oder Übelkeit. Wenn Sie diese Anzeichen feststellen, funktioniert das Heizgerät möglicherweise nicht richtig. **Begeben Sie sich sofort an die frische Luft!** Lassen Sie das Heizgerät warten. Manche Personen werden von Kohlenmonoxid stärker betroffen als andere. Dazu gehören Schwangere, Personen mit Herz- oder Lungenerkrankungen sowie Anämie, unter Alkoholeinfluß stehende Personen und Personen in Höhenlagen.

**Propangas:** Propangas ist geruchlos. Dem Propangas wird ein Odoriermittel beifügt. Der Geruch hilft Ihnen bei der Ermittlung eines Propangaslecks. Allerdings kann sich der dem Propangas beifügte Geruch verflüchtigen. Propangas kann auch dann vorhanden sein, wenn kein Geruch feststellbar ist.

Lesen Sie unbedingt alle Warnhinweise, und machen Sie sich damit vertraut. Bewahren Sie diese Anleitung zum Nachschlagen auf. Sie stellt Ihren Leitfaden zum sicheren und zweckmäßigen Gebrauch dieses Heizgeräts dar.

*Fortsetzung der Sicherheitsvorschriften umseitig*

# SICHERHEITS- VOR- SCHRIFTEN

(Fortsetzung)

## **ACHTUNG** (Fortsetzung)

- Nicht für den Hausgebrauch (innerhalb von Wohnräumen). Das Heizgerät nur als Raumheizung verwenden.
- Zum vorübergehenden Heizen von Gebäuden, die sich in Bau, Umbau oder Renovierung befinden, vorgesehen.
- Das Heizgerät sorgfältig installieren und verwenden. Alle örtlichen Vorschriften und Verordnungen beachten.
- Nur in gut belüfteten Bereichen und nicht in der Nähe von entzündlichen Stoffen benutzen.
- Für zweckmäßige Belüftung sorgen. Andernfalls entstehen übermäßige Kohlenmonoxid (CO)- und Kohlendioxid (CO<sub>2</sub>)-Konzentrationen. Zur Belüftung für zwei Frischluftöffnungen ins Freie sorgen. Eine Öffnung sollte sich in Bodennähe, die andere in Deckennähe befinden. Jede Belüftungsöffnung muß mindestens 130 cm<sup>2</sup> groß sein.
- Das Heizgerät niemals in Gegenwart von Benzin, Lackverdünnung oder anderen leicht entzündlichen Gasen verwenden. Nur an Orten verwenden, die frei von entzündlichen Gasen oder hohem Staubgehalt sind.
- Das Heizgerät nicht in Kellerräumen verwenden. Propangas ist schwerer als Luft. Wenn ein Leck auftritt, sinkt Propan auf das niedrigstmögliche Niveau ab.
- Das Heizgerät keinem starken Luftzug, sprühendem oder tropfendem Wasser oder Regen aussetzen.
- Das Heizgerät vor jeder Benutzung auf Schäden untersuchen. Kein beschädigtes Heizgerät verwenden.
- Nur Propangas I3P verwenden.
- Die Propangasbehälter kühler als 38°C halten.
- Den Gasschlauch nicht ziehen oder verdrehen.
- Die Propanzufuhr und Stromversorgung vom Heizgerät abnehmen, bevor es transportiert wird oder wenn es nicht mehr benutzt wird.
- Nur die auf dem Typenschild angegebene elektrische Spannung und Frequenz verwenden.
- Nur den mit dem Heizgerät mitgelieferten Schlauch und Regler verwenden.
- Den Schlauch vor jeder Benutzung überprüfen. Weist er Schnitte, Verschleiß oder Schäden auf, den Schlauch vor Verwendung des Heizgeräts austauschen. Den in dieser Betriebsanleitung angegebenen Ersatzschlauch verwenden.
- Das Heizgerät mindesten zwei Meter von Propanbehältern fernhalten. Das Heizgerät nicht auf die Propanbehälter richten.
- Mindestabstand des Heizgerät von feuergefährlichen Substanzen:  
Auslaßöffnung: 3 m    Seiten: 1 m    Oberseite: 2 m    Rückseite: 1 m
- Das Heizgerät bei Gebrauch auf stabilem und ebenem Boden aufstellen.
- Kinder und Tiere vom Heizgerät fernhalten.
- Niemals die (rückwärtige) Lufteinlaß- oder (vordere) Auslaßöffnung des Heizgeräts blockieren.
- Niemals ein heißes, laufendes oder eingestecktes Heizgerät bewegen, anfassen oder warten.
- Das Heizgerät nicht modifizieren. Das Heizgerät im Originalzustand belassen.
- Das Heizgerät nicht verwenden, wenn es modifiziert wurde.
- Niemals Luftleitrohre vorne oder hinten am Heizgerät anbringen.
- Nur Originalersatzteile verwenden. Dieses Heizgerät erfordert die Verwendung konstruktionsspezifischer Ersatzteile. Keine generischen Teile verwenden. Falsche Ersatzteile können zu schweren oder tödlichen Verletzungen führen.
- Elektroinstallateur: Bitte alle örtlichen Vorschriften und Verordnungen befolgen.

## AUSPACKEN

1. Alles zum Versand am Heizgerät angebrachte Verpackungsmaterial entfernen.
2. Alle Teile aus dem Karton nehmen.
3. Alle Teile auf Versandschäden untersuchen. Ist das Heizgerät beschädigt, sofort den Händler, bei dem das Heizgerät gekauft wurde, verständigen.

# PRODUKT- KENNZEICHNUNG

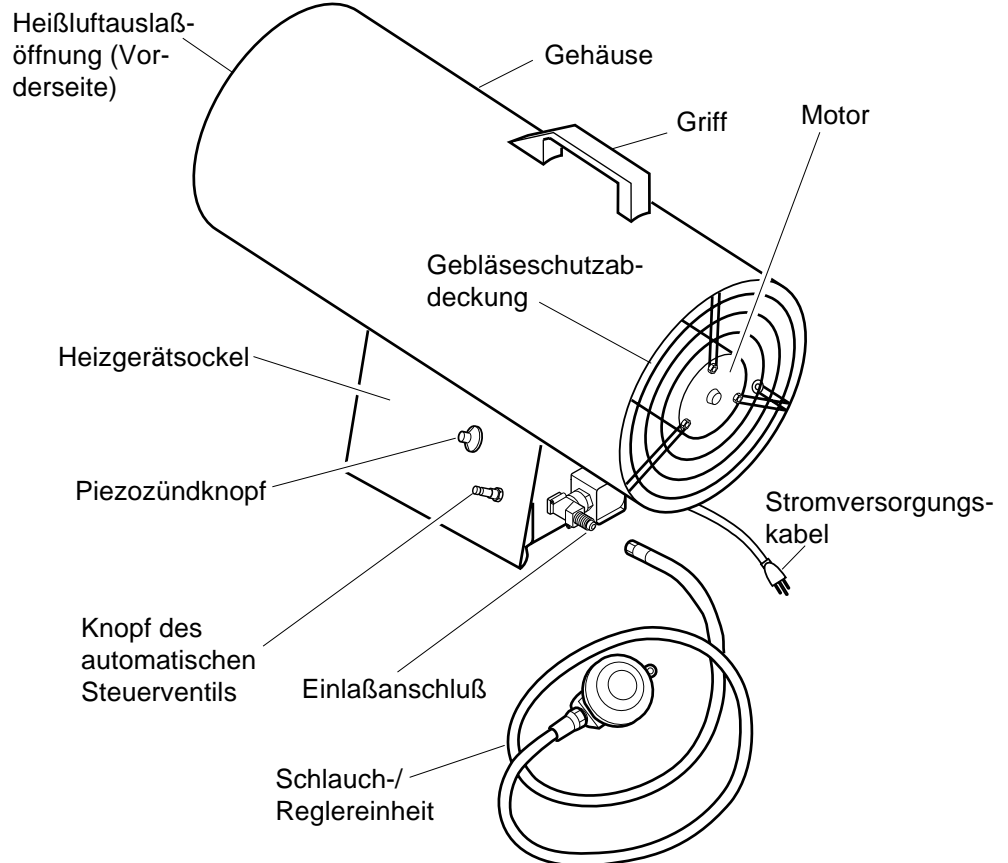


Abbildung 1 - Modell BLP35E

# FUNKTIONS- WEISE

**Das Brenngassystem:** Die Schlauch-/Reglereinheit wird an die Propangaszufuhr angeschlossen. Dadurch wird das Heizgerät mit Brenngas versorgt.

**Das Luftsystem:** Der Motor dreht das Gebläse. Das Gebläse drückt Luft in und um die Verbrennungskammer. Diese Luft ist erhitzt und bietet einen sauberen, heißen Luftstrom.

**Das Zündsystem:** Die Piezozündvorrichtung zündet den Brenner.

**Das Brennersteuersystem:** Dieses System bewirkt die Abschaltung des Heizgeräts, wenn die Flamme erlischt.

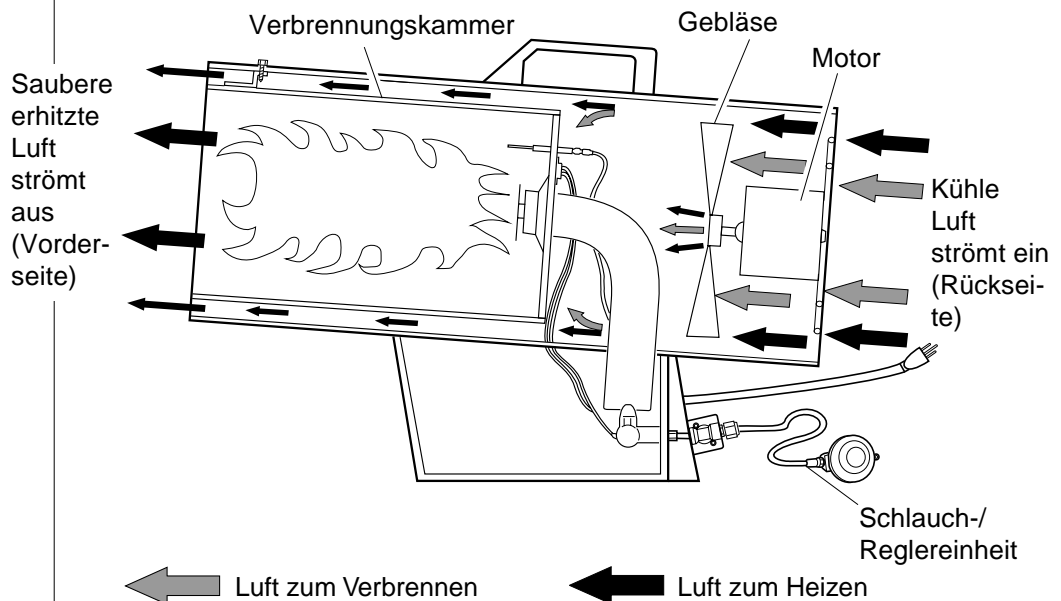


Abbildung 2 - Querschnitt der Funktionsansicht

# PROPANZUFUHR

Der Benutzer muß Propangas und Propanbehälter bereitstellen. Dieses Heizgerät nur in Verbindung mit einem Propangasabzugs-Zufuhrsystem verwenden. Die nutzbare Propangasmenge aus Propanbehältern variiert. Die Menge wird von zwei Faktoren bestimmt:

1. Von der Propangasmenge in dem (den) Behälter(n)
2. Von der Temperatur der (des) Behälter(s)

Das Heizgerät ist für den Betrieb mit einem Propanbehälter mit mindestens 9 kg ausgelegt. Bei kaltem Wetter sind möglicherweise zwei oder mehr Behälter oder ein größerer Behälter nötig. Einen 45-kg-Behälter für längeren Betrieb oder bei sehr kaltem Wetter verwenden. Bei niedrigeren Temperaturen verdampft weniger Gas. Der örtliche Propangashändler kann bei der Auswahl des richtigen Zufuhrsystems behilflich sein.

## Durchschnittstemperatur (in °C)

am Standort des Behälters

5° 0° -7° -12° -18°

Anzahl der Behälter  
(45 kg)

1 1 1 1 1

# INSTALLATION

## ⚠ ACHTUNG

Lesen Sie die Warnhinweise im Abschnitt Sicherheitsvorschriften auf Seite 2 und 3 nochmals durch, und machen Sie sich damit vertraut. Sie sind zum sicheren Betrieb dieses Heizgeräts erforderlich. Befolgen Sie bei der Verwendung dieses Heizgeräts alle örtlichen Vorschriften.

## ⚠ ACHTUNG

Untersuchen Sie nach der Installation oder Wartung alle Gasleitungen und -anschlüsse auf Lecks. Verwenden Sie bei der Leckprüfung niemals offenes Feuer. Tragen Sie eine Mischung aus Seifenflüssigkeit und Wasser auf alle Fugen auf. Bilden sich Blasen, ist dies ein Anzeichen für ein Leck. Beheben Sie alle Lecks umgehend.

1. Das Propanzufuhrsystem einrichten (siehe oben unter *Propanzufuhr*).
2. Den Brenngasanschluß an der Schlauch-/Reglereinheit an den (die) Propanbehälter anschließen. Mit Hilfe eines Schraubenschlüssels fest anziehen. **WICHTIG:** Den Regler so anbringen, daß sich der vom Regler abgehende Schlauch in einer waagerechten Stellung befindet (siehe Abbildung 3). Dadurch wird die Regleröffnung in die richtige Stellung gebracht, durch die sie vor Witterungseinflüssen geschützt ist.

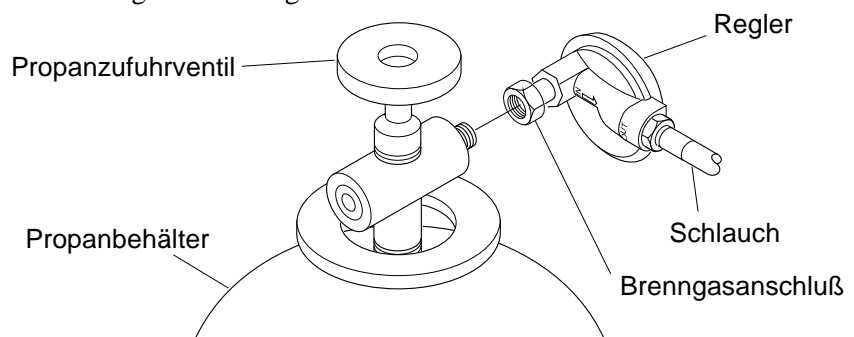


Abbildung 3 - Reglerstellung

Fortsetzung umseitig

# INSTALLATION

(Fortsetzung)

- Den Schlauch an den Einlaßanschluß anschließen. Mit Hilfe eines Schraubenschlüssels fest anziehen.

**WICHTIG:** Bei Bedarf Zusatzschlauch oder -leitung verwenden. Zusatzschlauch bzw. -leitung zwischen der Schlauch-/Reglereinheit und dem Propanbehälter installieren. Der mit dem Heizgerät gelieferte Regler muß verwendet werden.

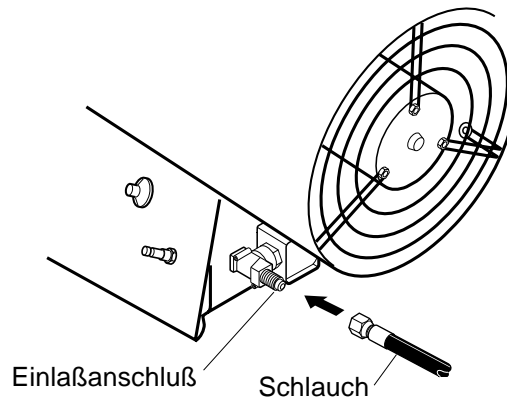


Abbildung 4 - Schlauch und Einlaßanschluß

- Das Propanzufuhrventil an dem (den) Propanbehälter(n) öffnen.
- Alle Anschlüsse auf Lecks überprüfen. Eine Mischung aus Seifenflüssigkeit und Wasser auf alle Gasfugen auftragen. Bilden sich Blasen, ist dies ein Anzeichen für ein Leck, das behoben werden muß.

## ⚠ ACHTUNG

Verwenden Sie bei der Leckprüfung niemals offenes Feuer. Tragen Sie eine Mischung aus Seifenflüssigkeit und Wasser auf alle Fugen auf. Bilden sich Blasen, ist dies ein Anzeichen für ein Leck, das behoben werden muß. Beheben Sie alle Lecks umgehend.

- Das Propanzufuhrventil schließen.

## ⚠ ACHTUNG

Wenn Sie ein Gasleck feststellen, schließen Sie die Propanzufuhr sofort. Belüften Sie den Raum. Warten Sie fünf Minuten lang, nachdem kein Propangeruch mehr feststellbar ist. Befolgen Sie die nachfolgenden Schritte zur Prüfung auf Gaslecks.

## ⚠ ACHTUNG

Verwenden Sie bei der Leckprüfung niemals offenes Feuer. Tragen Sie eine Mischung aus Seifenflüssigkeit und Wasser auf alle Fugen auf. Bilden sich Blasen, ist dies ein Anzeichen für ein Leck, das behoben werden muß. Beheben Sie alle Lecks umgehend.

## WENN EIN GASLECK AUFTRITT



# WENN EIN GAS-LECK AUFTRITT

(Fortsetzung)

1. Nach dem Schließen derPROPanzufuhr und dem Belüften des Raumes das Stromversorgungskabel des Heizgeräts aus der Steckdose ziehen.
2. DiePROPanzufuhr öffnen.
3. Eine Mischung aus Seifenflüssigkeit und Wasser auf den Schlauch und die Anschlüsse zwischen dem (den) Propanbehälter(n) und dem Heizgeräteinlaß auftragen. Bilden sich Blasen, ist dies ein Anzeichen für ein Leck.
4. DiePROPanzufuhr schließen und den Raum belüften. Das Leck reparieren.
5. Fünf Minuten lang warten, nachdem kein Propangeruch mehr feststellbar ist, bevor das Heizgerät wieder gestartet wird.
6. Wenn das Leck nicht zu reparieren ist, das örtliche Kundendienstzentrum anrufen.

## BELÜFTUNG

### ACHTUNG

Sorgen Sie für zweckmäßige Belüftung. Wenn keine zweckmäßige Belüftung mit frischer Außenluft erfolgt, kann es zu Kohlenmonoxidvergiftung kommen. Sorgen Sie zur Belüftung für zwei Frischluftöffnungen ins Freie. Eine Öffnung sollte sich in Bodennähe, die andere in Deckennähe befinden. Jede Belüftungsöffnung muß mindestens 130 cm<sup>2</sup> groß sein. Sorgen Sie für zweckmäßige Belüftung mit frischer Außenluft, bevor das Heizgerät betrieben wird.

## BETRIEB

### ACHTUNG

Lesen Sie die Warnhinweise im Abschnitt Sicherheitsvorschriften auf Seite 2 und 3 nochmals durch, und machen Sie sich damit vertraut. Sie sind zum sicheren Betrieb dieses Heizgeräts erforderlich. Befolgen Sie bei der Verwendung dieses Heizgeräts alle örtlichen Vorschriften.

#### Einschalten des Heizgeräts

1. Alle Installations-, Belüftungs- und Sicherheitsvorschriften befolgen.
2. Das Heizgerät auf stabilem und ebenem Boden aufstellen. Sicherstellen, das kein starker Luftzug in die vordere oder hintere Öffnung des Heizgeräts dringt.
3. Das Stromversorgungskabel des Heizgeräts in eine Steckdose stecken. Der Motor läuft an. Das Gebläse dreht sich und bläst Luft aus der vorderen Öffnung des Heizgeräts heraus. Das elektrische Gasventil öffnet sich.
4. Das Gaszufuhrventil an dem (den) Propanbehälter(n) öffnen.

### ACHTUNG

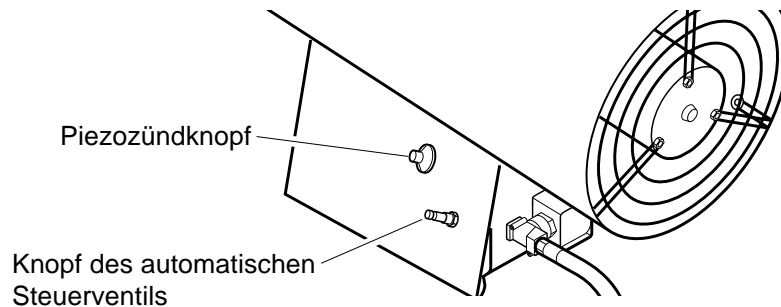
Stellen Sie sicher, daß der Motor und das Gebläse laufen, bevor Sie den Knopf des automatischen Steuerventils hineindrücken.

## BETRIEB

(Fortsetzung)

- Den Knopf des automatischen Steuerventils hineindrücken und festhalten (siehe Abbildung 5). Den Piezozündknopf drücken (siehe Abbildung 5). Möglicherweise muß der Piezozündknopf 3- bis 8mal gedrückt werden, bis der Brenner zündet. Nachdem der Brenner gezündet hat, den Knopf des automatischen Steuerventils 30 Sekunden lang gedrückt halten.

*Hinweis:* Falls das Heizgerät nicht zündet, befindet sich möglicherweise Luft im Schlauch. In diesem Fall den Knopf des automatischen Steuerventils gedrückt halten und 20 Sekunden lang warten. Den Knopf des automatischen Steuerventils loslassen und 20 Sekunden lang warten, damit unverbranntes Brenngas aus dem Heizgerät entweichen kann. Schritt 5 wiederholen.



**Abbildung 5 - Knopf des automatischen Steuerventils und Piezozündknopf**

Eine Sichtprüfung der Verbrennung im Heizgerät durchführen. Sicherstellen, daß die Flamme blaugefärbt ist. Die Flammen dürfen sich nicht über die Auslaßöffnung des Heizgeräts hinaus erstrecken.

### Ausschalten des Heizgeräts

- Das Propanzufuhrventil an dem (den) Propanbehälter(n) fest verschließen.
- Einige Sekunden lang warten. Das Heizgerät verbrennt das im Zufuhrschlauch verbleibende Gas.
- Den Stecker des Heizgeräts aus der Steckdose ziehen.

### Wiedereinschalten des Heizgeräts

- Nach dem Ausschalten des Heizgeräts fünf Minuten lang warten.
- Die Schritte unter *Einschalten des Heizgeräts* auf Seite 7 wiederholen.

### Austausch des (der) Propanbehälter(s)

Den (die) Propanbehälter in einem flammenfreien Bereich austauschen. Nur Propangas I3P verwenden.

- Das (die) Propanzufuhrventil(e) an dem (den) Propanbehälter(n) fest verschließen.
- Die Schlauch-/Reglereinheit von dem (den) Propanbehälter(n) abnehmen.
- Die Schlauch-/Reglereinheit an den (die) neuen Propanbehälter anschließen. Fest anziehen.
- Alle Anschlüsse auf Lecks überprüfen.

## **WARNUNG**

**Verwenden Sie bei der Leckprüfung niemals offenes Feuer. Tragen Sie eine Mischung aus Seifenflüssigkeit und Wasser auf alle Fugen auf. Bilden sich Blasen, ist dies ein Anzeichen für ein Leck. Beheben Sie alle Lecks umgehend.**

## LAGERUNG

### ⚠ VORSICHT

**Trennen Sie das Heizgerät von dem (den) Propanzufuhrbehälter(n).**

1. Propanbehälter sicher lagern. Alle örtlichen Vorschriften befolgen. Propanbehälter stets im Freien lagern.
2. An einem trockenen, sauberen und sicheren Ort lagern. Die Schlauch-/Reglereinheit nicht innerhalb der Verbrennungskammer des Heizgeräts aufbewahren.
3. Vor der Inbetriebnahme des Heizgeräts nach der Lagerung stets das Innere überprüfen. Möglicherweise sind durch Insekten oder kleine Tiere Fremdkörper in das Heizgerät gelangt. Das Innere des Heizgeräts von brennbaren Gegenständen und Fremdkörpern freihalten. Den Motor und andere innere Teile abnehmen, wenn dies zum Entfernen von Fremdkörpern erforderlich ist (siehe *Wartungsverfahren* auf Seite 12).

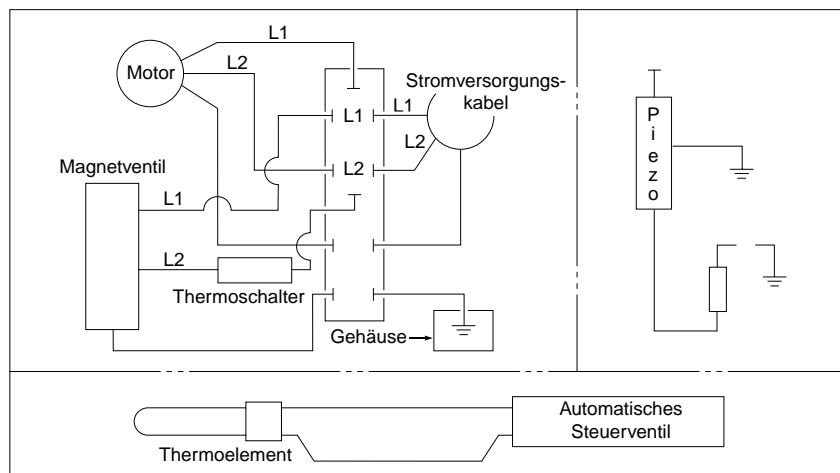
## WARTUNG

### ⚠ ACHTUNG

**Beginnen Sie niemals Wartungsarbeiten am Heizgerät, während es eingesteckt, an die Propanzufuhr angeschlossen, in Betrieb oder heiß ist. Es besteht die Gefahr schwerer Verbrennungen und von Elektroschock.**

1. Das Heizgerät sauber halten. Das Heizgerät jährlich oder nach Bedarf reinigen, um Staub und Schmutz zu entfernen. Ist das Heizgerät schmutzig oder staubig, das Heizgerät mit einem feuchten Lappen reinigen.
2. Das Heizgerät vor jeder Inbetriebnahme überprüfen. Die Anschlüsse auf Lecks überprüfen. Eine Mischung aus Seifenflüssigkeit und Wasser auf die Anschlüsse auftragen. Bilden sich Blasen, ist dies ein Anzeichen für ein Leck. Alle Lecks umgehend beheben.
3. Die Schlauch-/Reglereinheit vor jeder Verwendung überprüfen. Weist der Schlauch erheblichen Verschleiß oder Schnitte auf, den Schlauch austauschen.
4. Das Heizgerät jährlich von einem Kundendiensttechniker überprüfen lassen.
5. Das Innere des Heizgeräts von brennbaren Gegenständen und Fremdkörpern freihalten. Den Motor und andere innere Teile abnehmen, wenn dies zum Reinigen des Heizgeräts erforderlich ist (siehe *Wartungsverfahren* auf Seite 12).
6. Das Gebläse alle 500 Betriebsstunden oder nach Bedarf reinigen.

## SCHALTBILD



**Abbildung 6 - Schaltbild**

# STÖRUNGSSUCHE UND ABHILFE

## ACHTUNG

Beginnen Sie niemals Wartungsarbeiten am Heizgerät, während es eingesteckt, an die Propanzufuhr angeschlossen, in Betrieb oder heiß ist. Es besteht die Gefahr schwerer Verbrennungen und von Elektroschock.

### BEOBACHTETE STÖRUNG

Das Gebläse dreht sich nicht, wenn das Heizgerät eingesteckt ist.

### MÖGLICHE URSACHE

Keine Stromversorgung des Heizgeräts.

### ABHILFE

Die Steckdose auf Spannung überprüfen. Wenn Spannung anliegt, das Stromversorgungskabel des Heizgeräts auf Brüche überprüfen.

Das Gebläse streift die Innenseite des Heizgerätgehäuses.

Die Motor-/Gebläseschutzabdeckung so justieren, daß das Gebläse nicht mehr das Innere des Heizgerätgehäuses streift. Nötigenfalls die Gebläseschutzabdeckung zurechtbiegen.

Die elektrischen Leitungen des Heizgeräts sind falsch verdrahtet.

Die Leitungen anhand des Schaltbildes richtig verdrahten.

Die Gebläseflügel sind verbogen.

Das Gebläse austauschen. Siehe *Motor und Gebläse* auf Seite 12.

Der Motor ist defekt.

Den Motor austauschen. Siehe *Motor und Gebläse* auf Seite 12.

Das Heizgerät zündet nicht.

Der Benutzer befolgte die Installations- oder Betriebsanweisungen nicht richtig.

Die Installations- und Betriebsanweisungen nochmals ausführen. Siehe *Installation* auf Seite 5 und *Betrieb* auf Seite 7.

Kein Funke an der Zündvorrichtung. Zur Überprüfung des Funkens Schritt 8 unter *Zündvorrichtung* auf Seite 14 befolgen. Ist ein Funke an der Zündvorrichtung zu sehen, das Heizgerät von einem geschulten Kundendiensttechniker warten lassen. Ist kein Funke zu sehen:

A) Loses oder unterbrochenes Zündvorrichtungskabel

A) Das Zündvorrichtungskabel überprüfen. Gegebenenfalls ein loses Zündvorrichtungskabel befestigen oder wieder anbringen. Siehe Position des Zündvorrichtungskabels in Abbildung 11 auf Seite 13.

# STÖRUNGSSUCHE UND ABHILFE

(Fortsetzung)

## BEOBACHTETE STÖRUNG

## MÖGLICHE URSACHE

B) Falsche Funkenstrecke  
C) Lose Piezozündvorrichtung  
D) Schadhafte Zündelektrode

## ABHILFE

B) Die Funkenstrecke zwischen der Zündelektrode und der Zielplatte auf 4,3 mm einstellen.  
C) Die Mutter festziehen, die die Piezozündvorrichtung am Heizgerätssockel hält.  
D) Die Zündelektrode ersetzen. Siehe *Zündvorrichtung* auf Seite 13.

Das Heizgerät schaltet sich während des Betriebs ab.

Hohe Umgebungstemperaturen bewirken, daß die Temperaturgrenz-Abschaltvorrichtung das Heizgerät abschaltet.

Dies kann vorkommen, wenn das Heizgerät bei Temperaturen oberhalb von 29°C betrieben wird. Das Heizgerät nur bei niedrigeren Temperaturen betreiben.

Eingeschränkter Luftstrom

Die Einlaß- und Auslaßöffnung des Heizgeräts überprüfen. Etwaige Hindernisse entfernen.

Beschädigtes Gebläse

Das Gebläse austauschen. Siehe *Motor und Gebläse* auf Seite 12.

Zuviel Staub oder Schmutz in der Umgebung

 **WARNUNG**

**Nur in Räumen ohne hohen Staubgehalt verwenden.**

Das Heizgerät reinigen. Siehe *Wartung* auf Seite 9.

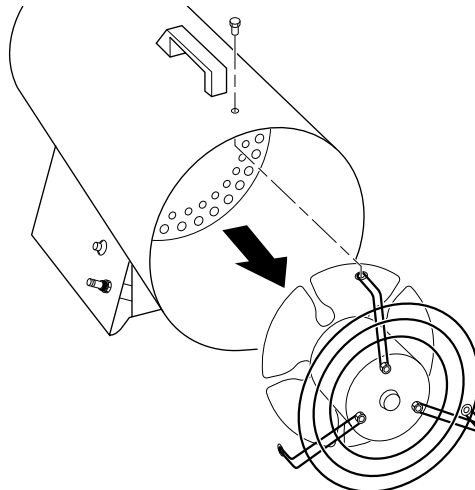
# WARTUNGS- VERFAHREN

## Motor und Gebläse

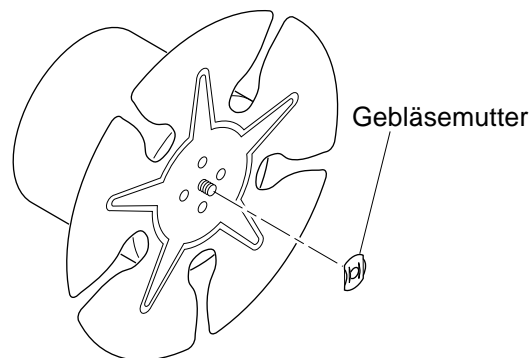
1. Drei Schrauben entfernen, mit denen die Gebläseschutzabdeckung am Heizgerätgehäuse befestigt ist.
2. Den Motor und die Gebläseschutzabdeckung aus dem Heizgerätgehäuse entfernen (siehe Abbildung 7).
3. Die Gebläsemutter mit einer Zange vom vorderen Ende der Motorwelle abnehmen (siehe Abbildung 8).
4. Das Gebläse entfernen. Vorsichtig vorgehen, damit die Gebläseflügelanstellung nicht beeinträchtigt wird.
5. Drei Muttern, mit denen die Gebläseschutzabdeckung am Motor befestigt ist, mit einem Steckschlüssel entfernen. Die Gebläseschutzabdeckung vom Motor abnehmen (siehe Abbildung 9).
6. Den alten Motor entsorgen.
7. Die Gebläseschutzabdeckung mit drei Muttern am neuen Motor befestigen (siehe Abbildung 9). Die Muttern fest anziehen.

## ⚠ ACHTUNG

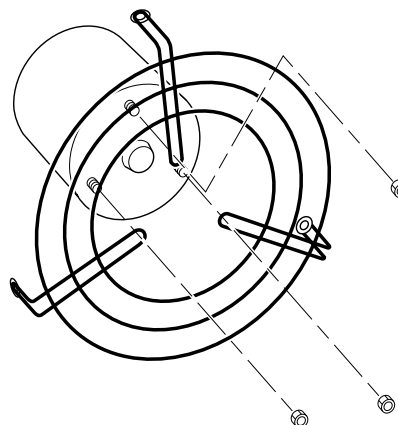
Beginnen Sie niemals Wartungsarbeiten am Heizgerät, während es eingesteckt, an die Propanzufuhr angeschlossen, in Betrieb oder heiß ist. Es besteht die Gefahr schwerer Verbrennungen und von Elektroschock.



**Abbildung 7 - Entfernen des Motors und der Gebläseschutzabdeckung aus dem Heizgerät**



**Abbildung 8 - Abnehmen der Gebläsemutter von der Motorwelle**

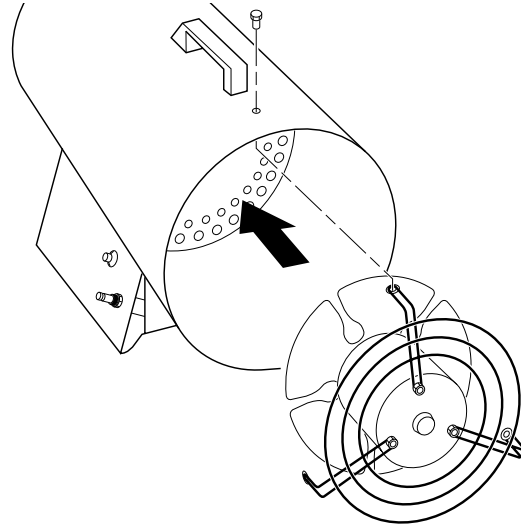


**Abbildung 9 - Entfernen bzw. Befestigen der Gebläseschutzabdeckung am Motor**

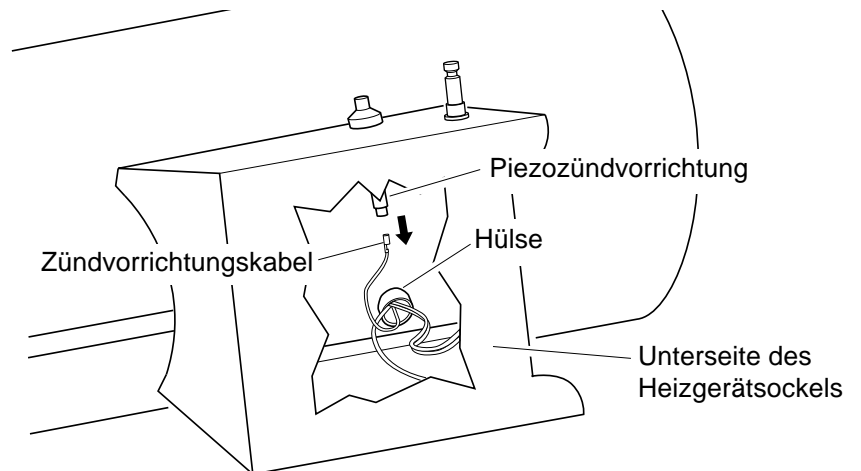
8. Das Gebläse auf die Motorwelle des neuen Motors plazieren.  
**WICHTIG:** Beim Plazieren des Gebläses auf der Motorwelle sicherstellen, daß die auf dem Gebläse eingeprägte Teilenummer zum Motor hinweist. Die Gebläsemutter am Ende der Motorwelle befestigen. Die Gebläsemutter fest anziehen.
9. Den Motor und die Gebläseschutzabdeckung an der Rückseite des Heizgerätgehäuses einsetzen (siehe Abbildung 10).
10. Drei Schrauben durch das Heizgerätgehäuse in die Gebläseschutzabdeckung einführen. Die Schrauben fest anziehen.

### Zündvorrichtung

1. Den Motor und die Gebläseschutzabdeckung vom Heizgerät entfernen (siehe *Motor und Gebläse* auf Seite 12, Schritte 1 und 2).
2. Das schwarze Zündvorrichtungskabel von der Piezozündvorrichtung abnehmen. Der Zugriff auf das Zündvorrichtungskabel erfolgt durch die Unterseite des Heizgerätsockels (siehe Abbildung 11). Das Kabel durch die Hülse im Heizgerätgehäuse nach oben schieben.



**Abbildung 10 - Wiedereinsetzen des Motors und der Gebläseschutzabdeckung in das Heizgerät**

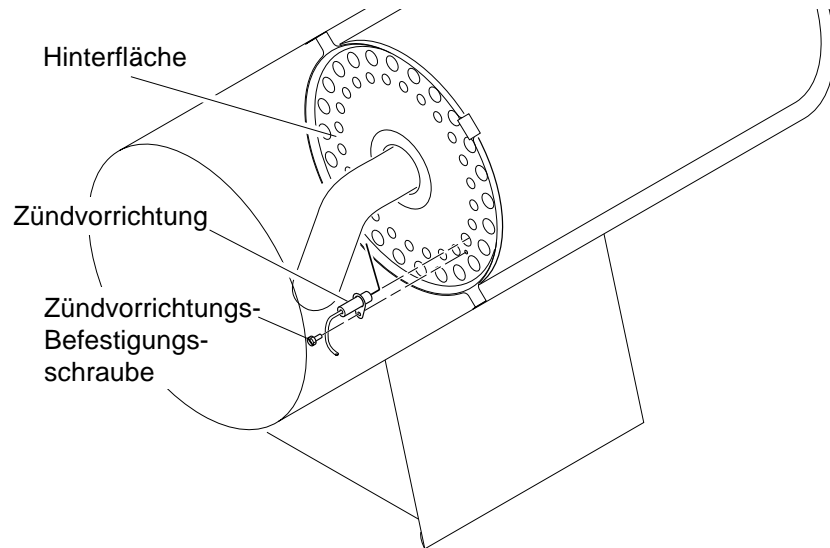


**Abbildung 11 - Abnehmen des Zündvorrichtungskabels von der Piezozündvorrichtung**

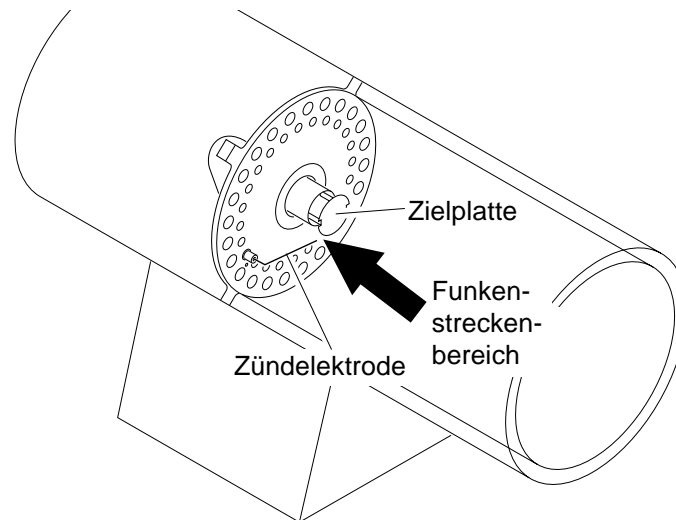
## Zündvorrichtung

### (Fortsetzung)

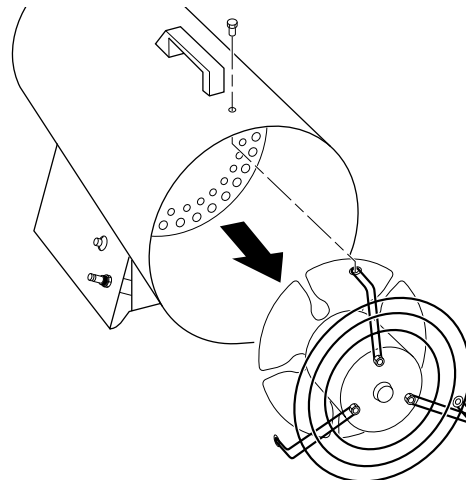
3. Die Zündvorrichtungsbefestigungsschraube mit einem Steckschlüssel oder einem Standard-Schraubenzieher von der Hinterfläche entfernen (siehe Abbildung 12).
4. Die Zündvorrichtung von der Hinterfläche entfernen.
5. Die neue Zündvorrichtung einbauen. Die Zündvorrichtung mit der Zündvorrichtungsbefestigungsschraube an der Hinterfläche befestigen.
6. Das Zündvorrichtungskabel von der neuen Zündvorrichtung durch die Hülse im Heizgerätgehäuse führen. Das Zündvorrichtungskabel an der Piezozündvorrichtung befestigen.
7. Die Funkenstrecke zwischen Zündelektrode und Zielplatte auf 4,3 mm einstellen (siehe Abbildung 13).
8. Auf Funken überprüfen.  
**ACHTUNG: Sicherstellen, daß das Heizgerät von der Propanzufuhr getrennt ist. Das Heizgerät könnte zünden und schwere Verbrennungen verursachen.**  
Den Piezozündknopf drücken und auf einen Funken zwischen der Zündelektrode und der Zielplatte achten.
9. Den Motor und die Gebläseschutzabdeckung in die Rückseite des Heizgerätgehäuses einsetzen (siehe *Motor und Gebläse* auf Seite 13, Schritte 9 und 10).



**Abbildung 12 - Entfernen der Zündvorrichtungsbefestigungsschraube und der Zündvorrichtung**



**Abbildung 13 - Abstand zwischen Zündelektrode und Zielplatte**

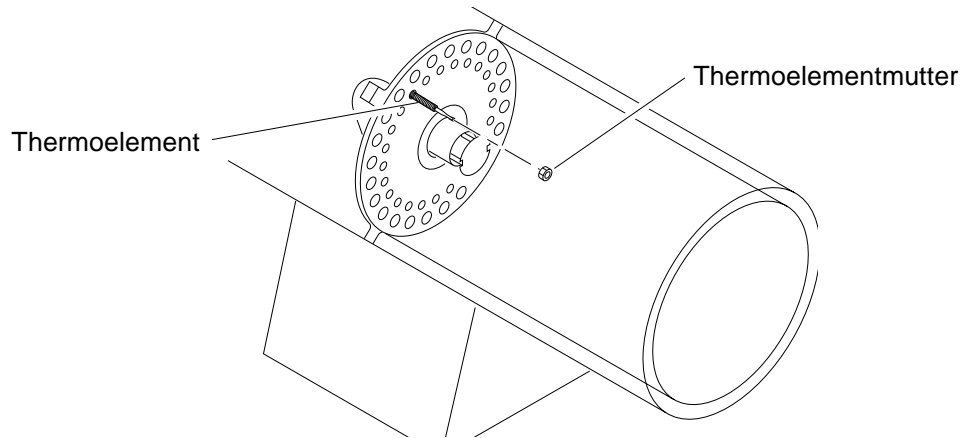


**Abbildung 14 - Entfernen des Motors und der Gebläseschutzabdeckung aus dem Heizgerät**

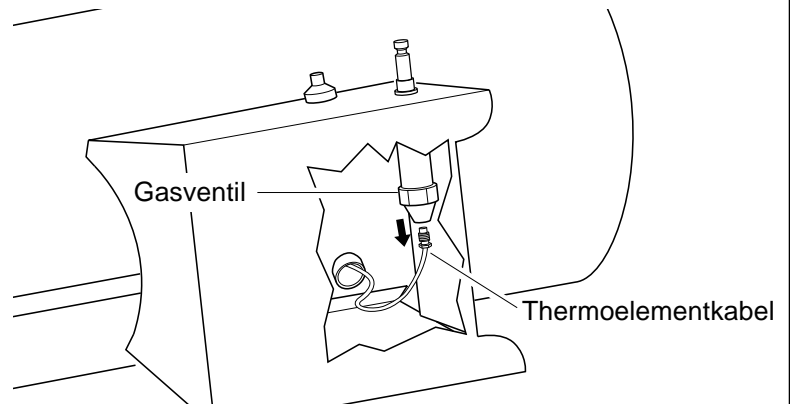


## Thermoelement

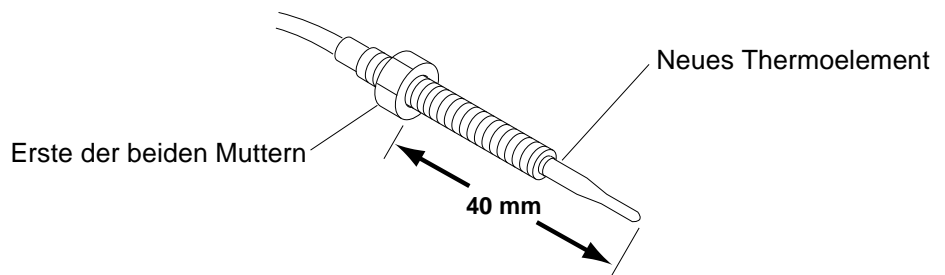
1. Sicherstellen, daß der Stecker des Geräts aus der Steckdose gezogen ist.
2. Drei Schrauben entfernen, mit denen die Gebläseschutzabdeckung am Heizgerätgehäuse befestigt ist.
3. Den Motor und die Gebläseschutzabdeckung aus dem Heizgerätgehäuse entfernen (siehe Abbildung 14). Sorgfältig vorgehen, um das Gebläse nicht zu beschädigen.
4. Die innerhalb der Verbrennungskammer befindliche Thermoelementmutter entfernen (siehe Abbildung 15).
5. Das Gerät auf die Seite legen und das Thermoelementkabel vom Gasventil abnehmen (siehe Abbildung 16).
6. Das Thermoelement vom Gerät entfernen.
7. Die erste der beiden Muttern am neuen Thermoelement anbringen (siehe Abbildung 17). Die Mutter etwa 40 mm von der Spitze des Thermoelements entfernt platzieren.
8. Die Spitze des Thermoelements durch die Thermoelementöffnung in der Hinterfläche einführen (siehe Abbildung 18).
9. Die zweite Mutter am Thermoelement anbringen. Diese Mutter von innerhalb der Verbrennungskammer am Thermoelement befestigen (siehe Abbildung 18). Beide Thermoelementmuttern justieren, bis die Spitze des Thermoelements 40 mm von der Hinterfläche entfernt ist.



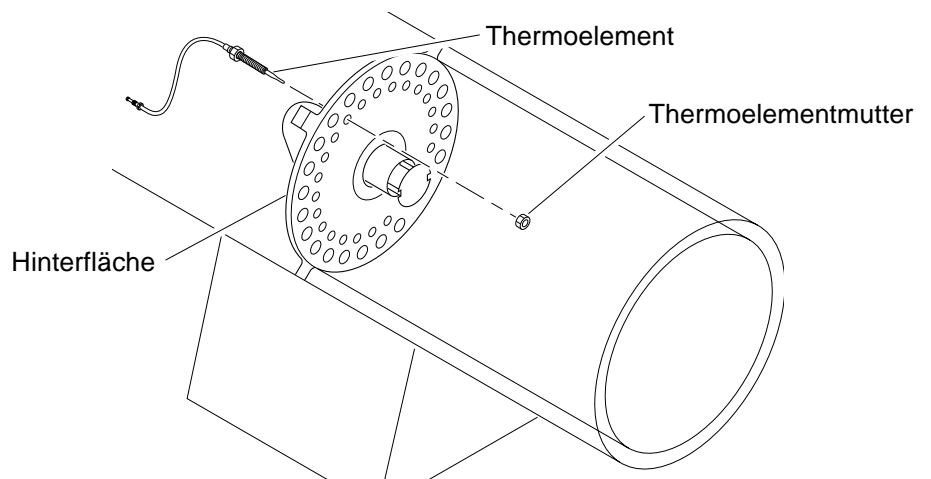
**Abbildung 15 - Position der Thermoelementmutter**



**Abbildung 16 - Abnehmen des Thermoelementkabels vom Gasventil**



**Abbildung 17 - Anbringen der ersten Mutter am neuen Thermoelement**



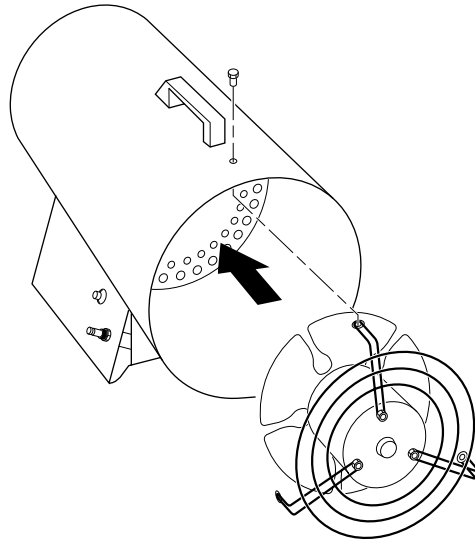
**Abbildung 18 - Einbau des neuen Thermoelements**

## Thermoelement (Fortsetzung)

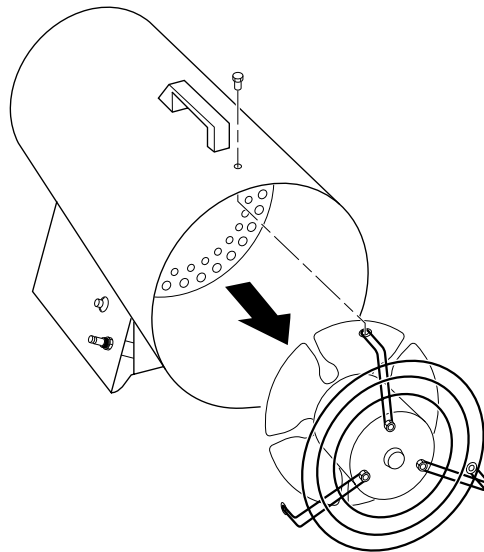
- Die Thermoelementmuttern festziehen und die Spitzenposition in 40 mm Abstand überprüfen.
- Das Thermoelementkabel durch das Gerät zurück zum Gasventil führen. Das Thermoelementkabel im Gasventil befestigen, bis es satt anliegt (nicht zu fest anziehen).
- Den Motor und die Gebläseschutzabdeckung an der Rückseite des Heizgerätgehäuses einsetzen (siehe Abbildung 19).
- Drei Schrauben durch das Heizgerätgehäuse in die Gebläseschutzabdeckung einführen. Die Schrauben fest anziehen.

## Thermoschalter

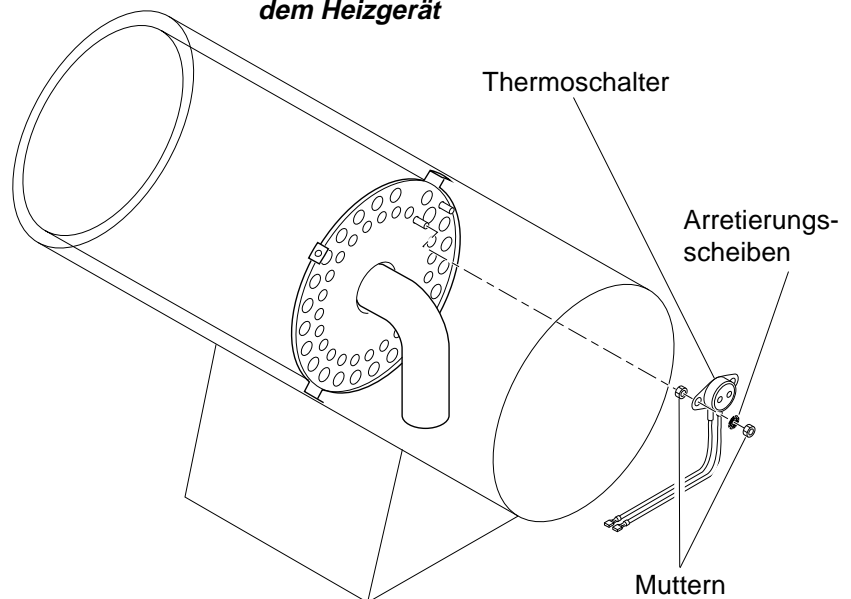
- Sicherstellen, daß der Stecker des Geräts aus der Steckdose gezogen ist.
- Drei Schrauben entfernen, mit denen die Gebläseschutzabdeckung am Heizgerätgehäuse befestigt ist.
- Den Motor und die Gebläseschutzabdeckung aus dem Heizgerätgehäuse entfernen (siehe Abbildung 20). Sorgfältig vorgehen, um das Gebläse nicht zu beschädigen.
- Zwei Muttern und Arretierungsscheiben vom Thermoschalter abnehmen (siehe Abbildung 21).
- Die blauen Thermoschalterleitungen im Heizgerätssockel abnehmen.



**Abbildung 19 - Wiedereinsetzen des Motors und der Gebläseschutzabdeckung in das Heizgerät**

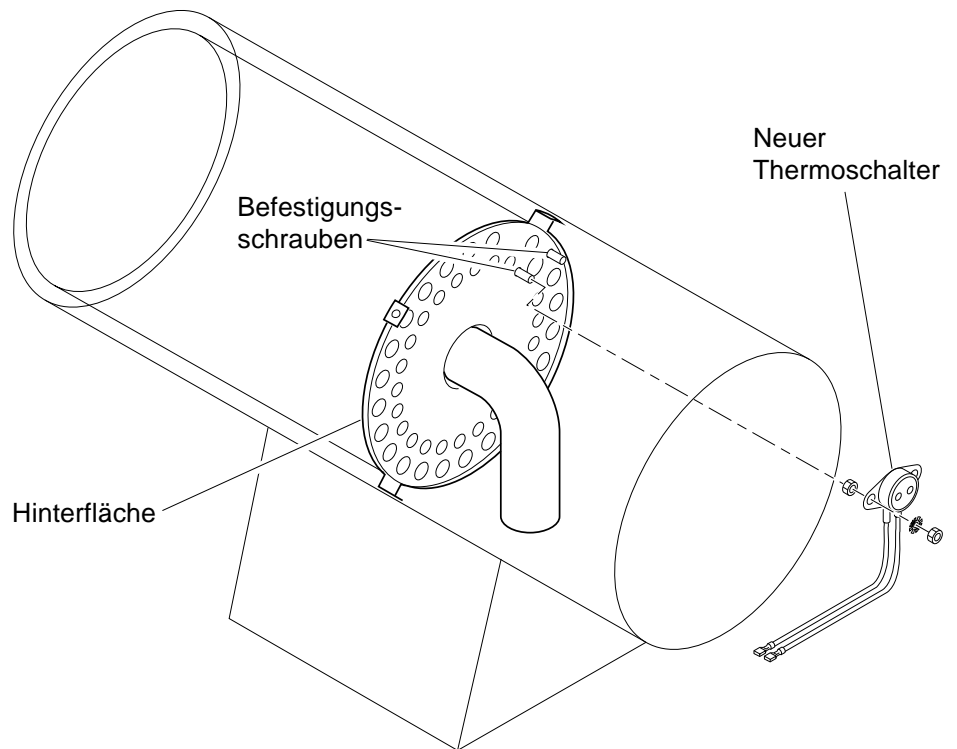


**Abbildung 20 - Entfernen des Motors und der Gebläseschutzabdeckung aus dem Heizgerät**

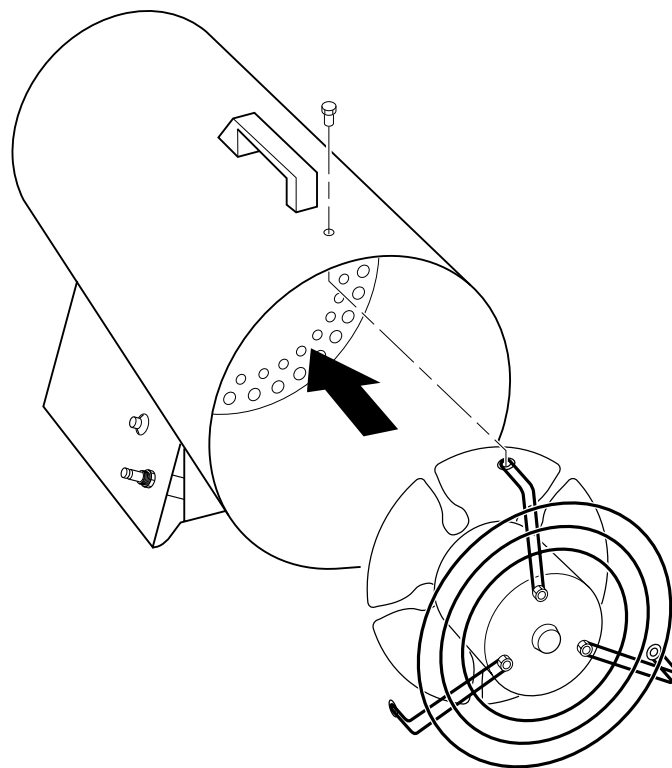


**Abbildung 21 - Abnehmen der Muttern und Arretierungsscheiben vom Thermoschalter**

6. Die Thermostalter-Baugruppe entfernen.
7. Die neuen Thermostalterkabel durch die Öffnung in der Unterseite des Heizgerätgehäuses nach unten einführen.
8. Den neuen Thermostalter an den beiden Befestigungsschrauben der Hinterfläche anbringen (siehe Abbildung 22).
9. Die Arretierungsscheiben und Muttern wieder an den Schrauben anbringen.
10. **Empfehlung für genaue Ergebnisse:** Die Muttern mit einem Drehmoment von  $0,45 \dots 0,68 \text{ N}\cdot\text{m}$  ( $4 \dots 6 \text{ Inch}\cdot\text{lbs}$ ) anziehen.
11. Den Motor und die Gebläseschutzabdeckung an der Rückseite des Heizgerätgehäuses einsetzen (siehe Abbildung 23).
12. Drei Schrauben durch das Heizgerätgehäuse in die Gebläseschutzabdeckung einführen. Die Schrauben fest anziehen.
13. Die blauen Thermostalterleitungen an der Klemmenplatte und am Magnetventilkabel befestigen (siehe Schaltbild auf Seite 9).

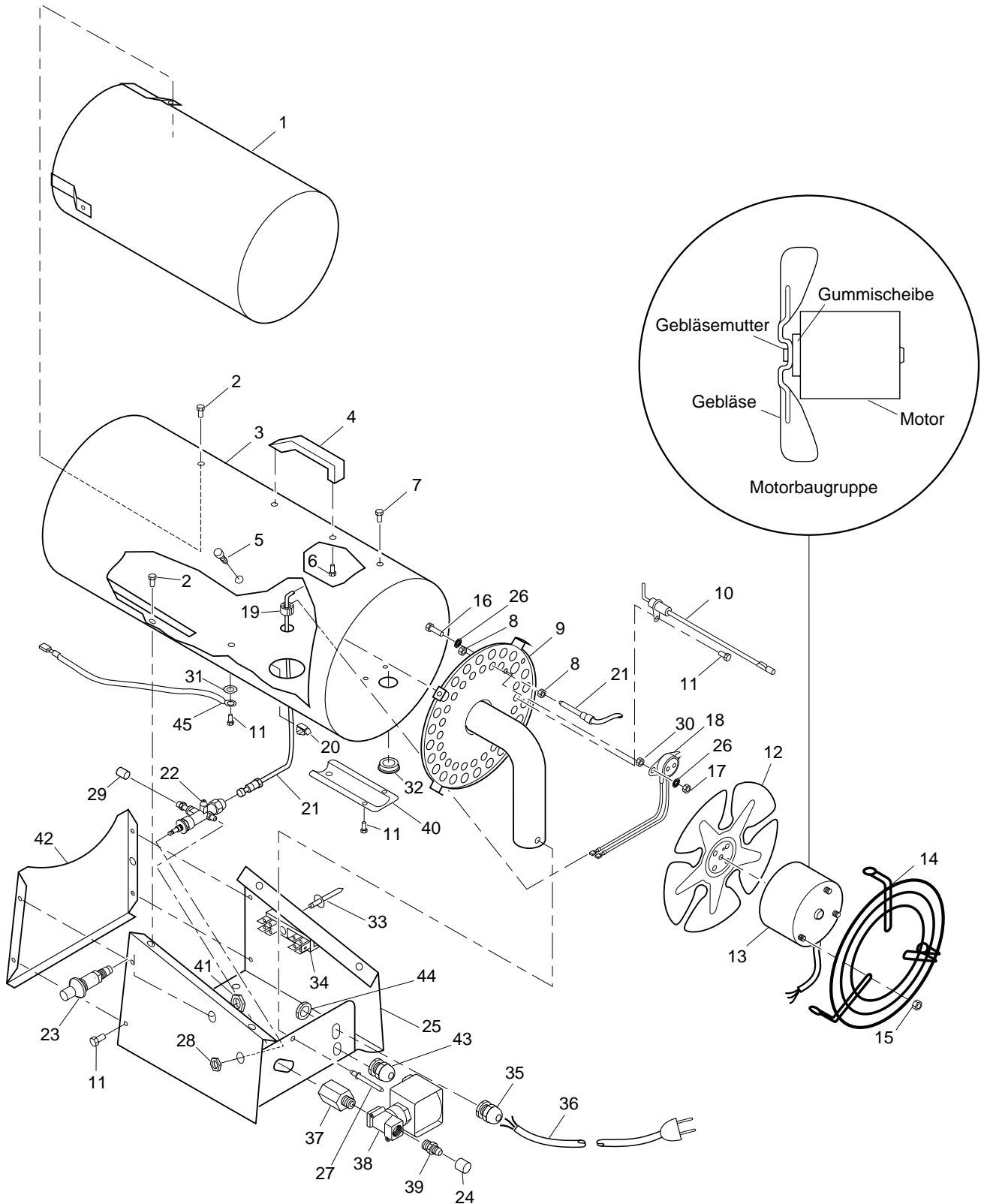


**Abbildung 22 - Anbringen des neuen Thermostalters an den Befestigungsschrauben**



**Abbildung 23 - Wiedereinsetzen des Motors und der Gebläseschutzabdeckung in das Heizgerät**

# AUFGESCHLÜSSELTES TEILE-DIAGRAMM



# TEILELISTE

Diese Liste enthält die im Heizgerät verwendeten ersetzbaren Teile. Bei der Teilebestellung sicherstellen, daß die richtigen Modell- und Seriennummern (vom Typenschild) und dann die Teilenummer und die Beschreibung des gewünschten Teils angegeben werden.

KENN-ZAHL	TEILE-NUMMER	BESCHREIBUNG	MENGE	KENN-ZAHL	TEILE-NUMMER	BESCHREIBUNG	MENGE
1	099568-01	Innengehäuse (Verbrennungskammer)	1	21	102607-01	Thermoelement	1
2	M11084-26	Sechskant- Schneidschraube, Nr. 10-16 x 3/8"	7	22	099541-01	Ventil/Ausfluß	1
3	099599-02AB	Außengehäuse	1	23	102445-01	Piezozündvorrichtung	1
4	M51104-01	Griff	1	24	078978-03	Hülsenabdeckung	1
5	099230-01	Sechskant- Ansatzschneid- schraube	4	25	099598-04AA	Sockel	1
6	M11084-29	Sechskant- Schneidschraube, Nr. 10-16 x 3/4"	2	26	100397-01	Sicherungsscheibe, Nr. 4	4
7	M11084-27	Sechskant- Schneidschraube, Nr. 10-16 x 1/2"	3	27	099202-02	Stahlniete, 1/8"	1
8	102592-01	Mutter, M6 x 0,75	2	28	098835-01	Ventilmutter	1
9	099727-01	Brennerbaugruppe	1	29	099460-01	Sechskant-Abdeckung	1
10	099539-01	Zünderlektrode	1	30	NPF-3C	Mutter (Distanzstück)	2
11	M11084-38	Sechskant- Schneidschraube, Nr. 8-18 x 3/8"	8	31	WLE-2BL	Sicherungsscheibe, Nr. 8	1
12	099537-02	Gebläse	1	32	M50104-01	Hülse, Kurzausführung	1
13	100398-02	Motorbaugruppe (inkl. Gummischeibe und Gebläsemutter)	1	33	099157-01	Niete, aus Aluminium	1
14	099540-02	Gebläseschutzabdeckung	1	34	099125-10	Klemmenplatte	1
15	097384-02	Unverlierbare Bundmutter	3	35	M50400	Zugentlastungshülse	1
16	097968-05	Sechskantschraube, Nr. 4-40 x 1/2"	2	36	097545-01	Stromversorgungskabel	1
17	NPC-00C	Sechskantmutter, Nr. 4-40	2	37	102559-01	Adapter, 1/4 x 1/4	1
18	097952-08	Thermoschalter- Baugruppe	1	38	102957-01	Ventil, Magnet-	1
19	097776-01	Universalhülse	1	39	097809-01	Steck-Fitting	1
20	099542-01	Drahtklemme	1	40	100596-01AB	Drahtschutzabdeckung	1
				41	102334-01	Sperrmutter	1
				42	100594-01AA	Abdeckung	1
				43	101520-01	Zugentlastungshülse	1
				44	102861-01	Hülsenmutter	1
				45	M16841-62	Drahtbaugruppe	1
<b>VERFÜGBARE TEILE - NICHT ABGEBILDET</b>							
					097647-03	Aufkleber mit Markennamen	2
					100400-04	Allgemeiner Informationsaufkleber	1
					100404-04	Betriebsaufkleber	1
					100399-01	Schlauch-/Reglereinheit	1
					100168-02	Elektro-Aufkleber	1

## TECHNISCHE DATEN

Model	BLP35E
Stromversorgung	220/240 Volt, 50 Hz, 55 Watt IP21
Eingangs-Nutzleistung maximal	10,3 kW bei 27 mbar
Reglerleistung	27 mbar
Brennerleistung	10,3 kW, 796 g/h
Zuleitungsdruck minimal	2 bar
Belüftung	260 cm <sup>2</sup>
Raumgröße	103 m <sup>3</sup>
Luftausstoß-Klasse	Typ A
Temperaturbereich für Heizgerätbetrieb	-29°C bis 29°C*

\* Wenn das Heizgerät bei Temperaturen über 29°C betrieben wird, können hohe Innentemperaturen dazu führen, daß die Temperaturgrenz-Abschaltvorrichtung das Heizgerät abschaltet.

# GEWÄHRLEISTUNG UND REPARATURDIENST

DIESE GARANTIE AUFBEWAHREN

## BEGRENZTE GEWÄHRLEISTUNG

Van Cranenbroek B.V. garantiert, daß dieses Produkt und sämtliche seiner Teile für sechs (6) Monate vom Datum des Ersteinkaufs frei von Material- und Verarbeitungsfehlern sind, wenn es gemäß der Anleitung bedient und gewartet wird. Diese Gewährleistung gilt nur für den ursprünglichen Einzelhandelskäufer, wenn ein Kaufnachweis vorgelegt wird.

Diese Gewährleistung deckt nur die Kosten der Ersatzteile, die erforderlich sind, um den zweckmäßigen Betriebszustand des Produktes wiederherzustellen. Versand- und Nebenkosten, die sich aus den Gewährleistungsteilen ergeben, werden im Rahmen dieser Gewährleistung nicht erstattet.

Diese Gewährleistung deckt keine Defekte, die sich aus Zweckentfremdung, Mißbrauch, Fahrlässigkeit, Unfällen, mangelnder Wartung, normalem Verschleiß, Umbauten, Modifikationen, Basteleien, verschmutzten Brennstoffen, Reparatur mit unzulässigen Ersatzteilen oder Reparatur durch andere als Vertragshändler oder Kundendienstzentren ergeben. Die planmäßige Wartung obliegt dem Eigentümer.

Diese ausdrückliche Gewährleistung erfolgt anstelle jeglicher anderen Gewährleistung, sei sie ausdrücklicher oder stillschweigender Natur, einschließlich Gewährleistungen der Eignung für die Marktgängigkeit und für einen bestimmten Zweck.

Van Cranenbroek B.V. übernimmt keine Verantwortung für mittelbare, Neben- und Folgeschäden.

Wir behalten uns das Recht vor, diese Angaben jederzeit ohne Vorankündigung zu ändern. Die einzige geltende Gewährleistung ist unsere schriftliche Standardgewährleistung. Wir geben keine andere ausdrückliche oder stillschweigende Gewährleistung.

Modell \_\_\_\_\_

Seriennummer \_\_\_\_\_

Kaufdatum \_\_\_\_\_

# DESA

## INTERNATIONAL

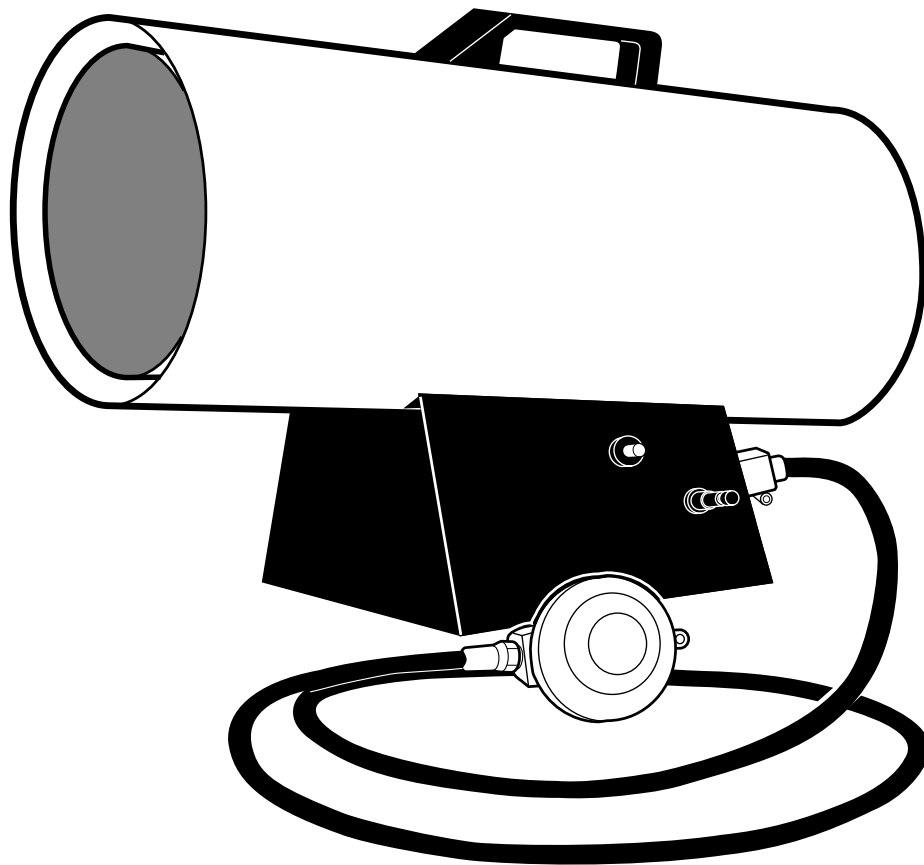
2701 Industrial Drive  
P.O. Box 90004  
Bowling Green, KY 42102-9004  
U.S.A.

Informationen erhältlich von: DESA International, P.O. Box 90004  
Bowling Green, KY 42102-9004, USA  
ATTN: Customer Service Department

Beim Schriftverkehr bitte stets Modellnummer und Seriennummer angeben.

# PROPAANKACHEL VOOR DE BOUW

## GEBRUIKERSHANDLEIDING



**Model: BLP35E**

### **BELANGRIJK**

Lees deze handleiding en zorg dat u hem begrijpt alvorens de kachel in elkaar te zetten, aan te zetten of er onderhoud aan uit te voeren. Verkeerd gebruik van deze kachel kan tot ernstig letsel leiden. Bewaar deze handleiding om hem later te kunnen naslaan.

# INHOUD

HOOFDSTUK	PAGINA
Veiligheidsinformatie .....	2
Uitpakken .....	3
Productidentificatie .....	4
Overzicht van de werking .....	4
Propaantoevoer .....	5
Installatie .....	5
Indien een gaslek zich voordoet .....	6
Ventilatie .....	7
Bediening .....	7
Opslag .....	9
Onderhoud .....	9
Bedradingsschema .....	9
Opsporen van storingen .....	10
Onderhoudsprocedures .....	12
Motor en ventilator .....	12
Ontstekingsmechanisme .....	13
Thermokoppel .....	15
Thermoschakelaar .....	16
Illustratie en lijst van onderdelen .....	18, 19
Specificaties .....	19
Garantie en reparatieservice .....	achteromslag

## VOOR UW VEILIGHEID

**Gebruik deze kachel niet in een ruimte waar benzine of andere vloeistoffen met ontvlambare dampen opgeslagen of gebruikt worden.**

# VEILIGHEIDS- INFORMATIE

## WAARSCHUWINGEN

**BELANGRIJK:** Lees deze gebruikershandleiding aandachtig en volledig door alvorens deze kachel in elkaar te zetten, aan te zetten of er onderhoud aan uit te voeren. Verkeerd gebruik van deze kachel kan ernstig of dodelijk letsel veroorzaken als gevolg van brandwonden, brand, ontploffing, elektrische schok of koolmonoxydevergiftiging.

**Koolmonoxydevergiftiging:** Aanvankelijke symptomen van koolmonoxydevergiftiging lijken op griep met hoofdpijn, duizeligheid en/of misselijkheid. Als u deze symptomen hebt, kan het zijn dat de kachel niet naar behoren werkt.

**Zorg dat u onmiddellijk frisse lucht krijgt!** Laat de kachel nakijken. Sommige mensen hebben meer last van koolmonoxydevergiftiging dan andere. Hieronder vallen zwangere vrouwen, mensen met hart- of longziekten of bloedarmoede, mensen onder de invloed van alcohol en mensen die zich op grote hoogten boven zeeniveau bevinden.

**Propaangas:** Propaangas is reukloos. Een geur-producerende stof wordt aan propaangas toegevoegd. De geur helpt u een propaangaslek te ontdekken. De geur die aan propaangas is toegevoegd, kan echter vervagen. Propaangas kan aanwezig zijn zelfs als er geen geur is.

Zorg dat u alle waarschuwingen leest en begrijpt. Bewaar deze handleiding om hem later te kunnen naslaan. Het is uw gids voor veilig en juist gebruik van deze kachel.

*Veiligheidsinformatie wordt op de volgende pagina vervolgd*



## VEILIGHEIDS- INFORMATIE

*vervolg*

### WAARSCHUWINGEN *vervolg*

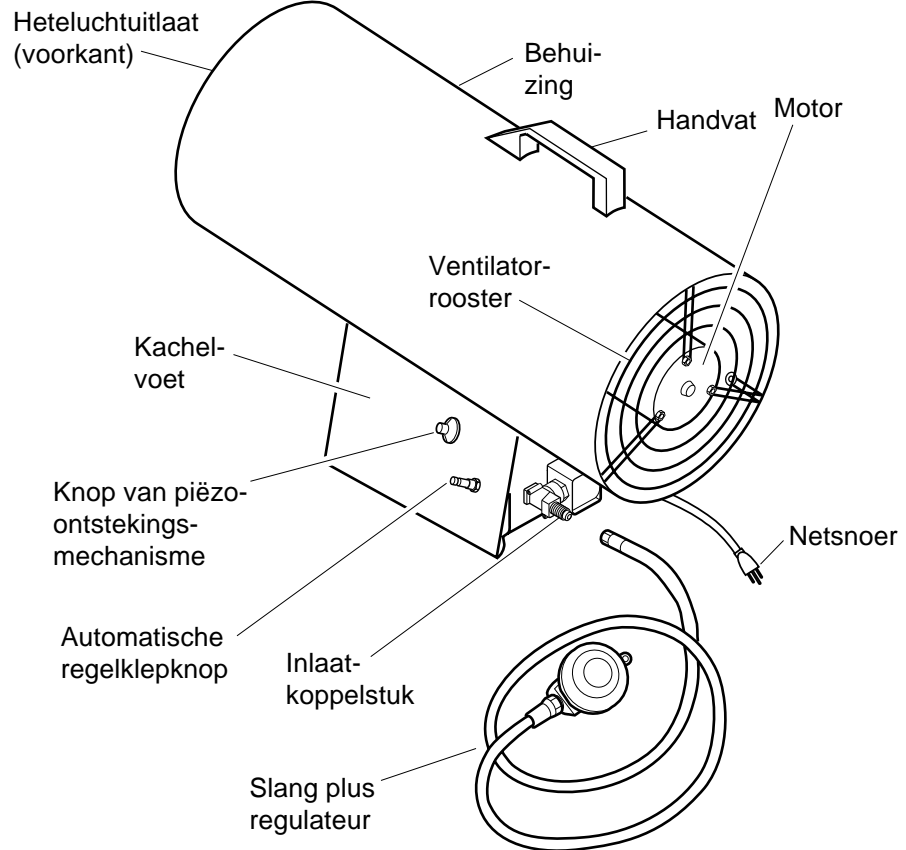
- Niet voor huishoudelijk gebruik (in woonruimten). Gebruik de kachel uitsluitend voor verwarming van grote ruimten.
- Bedoeld voor tijdelijke verwarming van gebouwen in aanbouw, verbouw of renovatie.
- Installeer en gebruik de kachel voorzichtig. Houd u aan alle plaatselijke verordeningen en voorschriften.
- Uitsluitend in een goed geventileerde ruimte gebruiken, uit de buurt van brandbare materialen.
- Zorg voor goede ventilatie. Als dit niet gebeurt, kan een te hoog gehalte aan koolmonoxyde (CO) en kooldioxyde (CO<sub>2</sub>) ontstaan. Zorg dat er twee openingen voor ventilatie zijn die verse buitenlucht leveren. Een van de openingen dient dichtbij de vloer te zijn en de andere bij het plafond. De minimale afmeting van de ventilatieopening moet 130 cm<sup>2</sup> zijn.
- Gebruik de kachel nooit op plaatsen waar benzine, verfverdunder of andere licht ontvlambare dampen aanwezig zijn. Uitsluitend gebruiken op plaatsen waar zich geen ontvlambare dampen en niet veel stof bevinden.
- Gebruik de kachel niet in kelders. Propaangas is zwaarder dan lucht. Als er een lek optreedt, zakt het propaangas naar het laagst mogelijke niveau.
- Stel de kachel niet bloot aan tocht, waterstralen, regen of druipend water.
- Controleer elke keer voordat u de kachel gebruikt of hij beschadigd is. Gebruik nooit een beschadigde kachel.
- Gebruik uitsluitend propaangas, I3P.
- Bewaar de propaantank(s) beneden 38°C.
- Trek niet aan de gasslang of draai hem niet.
- Ontkoppel de kachel van het propaangas en de netspanning alvorens hem te verplaatsen of wanneer hij niet gebruikt wordt.
- Gebruik alleen de spanning en frequentie die op het modelplaatje aangegeven zijn.
- Gebruik alleen de slang en reguleur die bij de kachel geleverd worden.
- Inspecteer de slang elke keer voordat u de kachel gebruikt. Als de slang een snee heeft of versleten of beschadigd is, moet u hem vervangen alvorens de kachel te gebruiken. Gebruik de vervangingsslang die in deze handleiding opgegeven wordt.
- Houd de kachel minstens twee meter van de propaantank(s) vandaan. Richt de kachel niet op de propaantank(s).
- Minimale afstand van kachel tot brandbare materialen:

Uitlaatopening: 3 meter	Zijkanten: 1 meter
Bovenkant: 2 meter	Achterkant: 1 meter
- Plaats de kachel op een stevig, vlak oppervlak als de kachel heet is of aan staat.
- Houd kinderen en dieren bij de kachel vandaan.
- Blokkeer nooit de toevoeropening (achterkant) of de uitlaatopening (voorkant) van de kachel.
- De kachel nooit verplaatsen, hanteren of er onderhoud aan uitvoeren als de kachel heet is, aan staat, of op netspanning aangesloten is.
- Breng geen wijzigingen aan de kachel aan. Houd de kachel in zijn oorspronkelijke staat.
- Gebruik de kachel niet als er wijzigingen aan uitgevoerd zijn.
- Bevestig nooit een buizensysteem aan de voor- of achterkant van de kachel.
- Gebruik uitsluitend originele vervangingsonderdelen. Voor deze kachel zijn ontwerp-specifieke onderdelen nodig. Gebruik geen merkloze onderdelen. Ongeschikte vervangingsonderdelen kunnen ernstig of dodelijk letsel veroorzaken.
- Elektrische installateur: Volg alle landelijke en plaatselijke voorschriften.

## UITPAKKEN

1. Verwijder al het verpakkingsmateriaal dat voor verzending gebruikt is.
2. Haal alle onderdelen uit de doos.
3. Inspecteer alle onderdelen op schade, opgelopen tijdens verzending. Als de kachel beschadigd is, breng de leverancier bij wie u de kachel gekocht heeft onmiddellijk op de hoogte.

# PRODUCT-IDENTIFICATIE



**Figuur 1 - Model BLP35E**

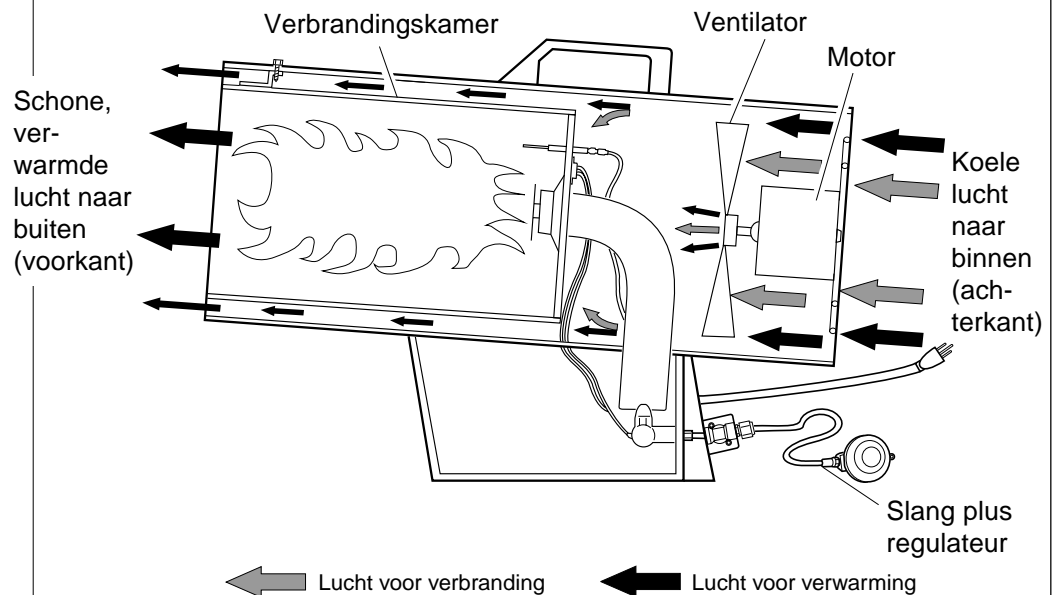
# OVERZICHT VAN DE WERKING

**Het brandstofsysteem:** De slang plus reguleur wordt bevestigd aan de propaangastoevoer. Dit levert brandstof aan de kachel.

**Het luchtsysteem:** De motor doet de ventilator draaien. De ventilator stuwt lucht in en rond de verbrandingskamer. Deze lucht wordt verwarmd en levert een schone, hete luchtstroom.

**Het ontstekingsysteem:** Het piëzo-ontstekingsmechanisme ontsteekt de brander.

**Het branderregelsysteem:** Dit systeem zorgt ervoor dat de kachel uitgeschakeld wordt als de vlam uitgaat.



**Figuur 2 - Bedrijfsaanzicht, dwarsdoorsnede**

# PROPAAN- TOEVOER

De gebruiker moet het propaangas en de propaantank(s) verschaffen.  
Gebruik deze kachel alleen met een toevoersysteem met propaandamponttrekking.  
De hoeveelheid propaangas, klaar voor gebruik uit propaantanks, varieert. Twee factoren bepalen deze hoeveelheid:

1. De hoeveelheid propaangas in de tank(s).
2. De temperatuur van de tank(s).

Deze kachel is ontworpen voor een propaantank van minimaal 9 kg. Bij kouder weer kunt u twee of meer tanks of één grotere tank nodig hebben. Gebruik een tank van 45 kg voor langer gebruik of bij zeer koud weer. Bij lagere temperaturen verdampt er minder gas. Uw plaatselijke propaangasleverancier kan u helpen het juiste toevoersysteem te kiezen.

### Gemiddelde temperatuur (°C)

bij tank	5°	0°	-7°	-12°	-18°
Aantal tanks (45 kg)	1	1	1	1	1

# INSTALLATIE

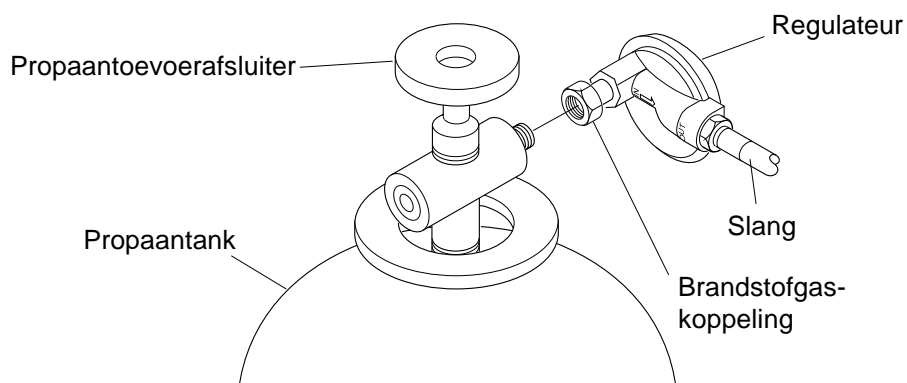
## ⚠ WAARSCHUWING

Lees de waarschuwingen in het hoofdstuk Veiligheidsinformatie, pagina 2 en 3, nogmaals door en zorg dat u ze begrijpt. Ze zijn nodig om deze kachel veilig te bedienen. Houd u aan alle plaatselijke voorschriften wanneer u deze kachel gebruikt.

## ⚠ WAARSCHUWING

Controleer na installatie, onderhoud of reparatie alle gasleidingen en verbindingen op lekken. Gebruik nooit een open vlam om op lekken te controleren. Breng een mengsel van vloeibare zeep en water op alle verbindingen aan. Vorming van bellen betekent een lek. Verhelp alle lekken onmiddellijk.

1. Zorg voor een propaantoevoersysteem (zie *Propaantoevoer* hierboven).
2. Sluit de brandstofgaskoppeling op de slang plus reguleur aan op de propaantank(s). Stevig aandraaien met een moersleutel. **BELANGRIJK:** Plaats de reguleur zodanig dat de slang die uit de reguleur komt, horizontaal staat (zie figuur 3). Hierdoor komt het ontfluchtingsventiel van de reguleur op de juiste plaats om hem tegen de elementen te beschermen.



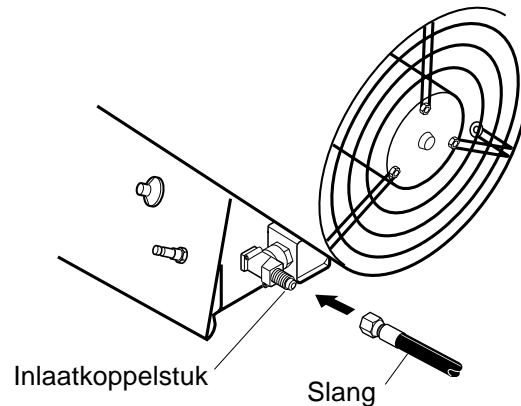
**Figuur 3 - Stand van reguleur**

wordt vervolgd

# INSTALLATIE

vervolg

3. Sluit de slang aan op het inlaatkoppelstuk. Stevig aandraaien met een moersleutel.  
**BELANGRIJK:** Gebruik zo nodig extra slang of leiding. Installeer extra slang of leiding tussen de slang plus reguleur en de propaantank. U moet de reguleur die bij de kachel is geleverd, gebruiken.



**Figuur 4 - Slang en inlaatkoppelstuk**

4. Draai de propaantoevoerafsluiter op de propaantank(s) open.
5. Controleer alle verbindingen op lekken. Breng een mengsel van vloeibare zeep en water op alle verbindingen aan. Vorming van bellen betekent dat een lek moet worden verholpen.

## **⚠ WAARSCHUWING**

**Gebruik nooit een open vlam om op lekken te controleren. Breng een mengsel van vloeibare zeep en water op alle verbindingen aan. Vorming van bellen betekent een lek. Verhelp alle lekken onmiddellijk.**

6. Sluit de propaantoevoerafsluiter.

## **⚠ WAARSCHUWING**

**Als u een gaslek ontdekt, sluit dan onmiddellijk de propaantoevoer af. Ventileer de ruimte. Wacht vijf minuten nadat de propaangeur verdwenen is. Volg onderstaande stappen om op een gaslek te controleren.**

## **⚠ WAARSCHUWING**

**Gebruik nooit een open vlam om op lekken te controleren. Breng een mengsel van vloeibare zeep en water op alle verbindingen aan. Vorming van bellen betekent een lek. Verhelp alle lekken onmiddellijk.**

**INDIEN EEN  
GASLEK ZICH  
VOORDOET**

# INDIEN EEN GASLEK ZICH VOORDOET

vervolg

1. Trek na de propaantoevoer afgesloten te hebben en de ruimte geventileerd te hebben, het netsnoer van de kachel uit het stopscontact.
2. Draai de propaantoevoer aan.
3. Breng een mengsel van vloeibare zeep en water aan op de slang en de verbindingen tussen de propaantank(s) en de kachelinlaat. Vorming van bellen duidt op een lek.
4. Sluit de propaantoevoer af en ventileer de ruimte. Repareer het lek.
5. Wacht vijf minuten nadat de propaangeur verdwenen is voordat u de kachel opnieuw aanzet.
6. Als u een lek niet kunt repareren, neem dan contact op met uw plaatselijk servicecentrum.

## VENTILATIE

### WAARSCHUWING

Zorg voor goede ventilatie. Als de ruimte niet met frisse buitenlucht wordt geventileerd, kan koolmonoxydevergiftiging optreden. Zorg dat er twee openingen voor ventilatie zijn die frisse buitenlucht leveren. De ene opening dient dichtbij de vloer te zijn, en de andere bij het plafond. De minimale afmeting van de ventilatieopening moet 130 cm<sup>2</sup> zijn. Zorg voor goede ventilatie met frisse buitenlucht voordat u de kachel aanzet.

## BEDIENING

### WAARSCHUWING

Lees de waarschuwingen in het hoofdstuk Veiligheidsinformatie, pagina 2 en 3, nogmaals door en zorg dat u ze begrijpt. Ze zijn nodig om deze kachel veilig te bedienen. Houd u aan alle plaatselijke voorschriften wanneer u deze kachel gebruikt.

#### Aanzetten van de kachel

1. Volg alle informatie over installatie, ventilatie en veiligheid.
2. Zet de kachel op een stevig, vlak oppervlak. Kijk of de voor- of achterkant van de kachel niet op de tocht staat.
3. Steek de stekker van het netsnoer van de kachel in het stopcontact. De motor slaat aan. De ventilator gaat draaien en stuwt lucht uit de voorkant van de kachel. De elektrische gasklep gaat open.
4. Open de toevoerafsluiter op de propaantank(s).

### WAARSCHUWING

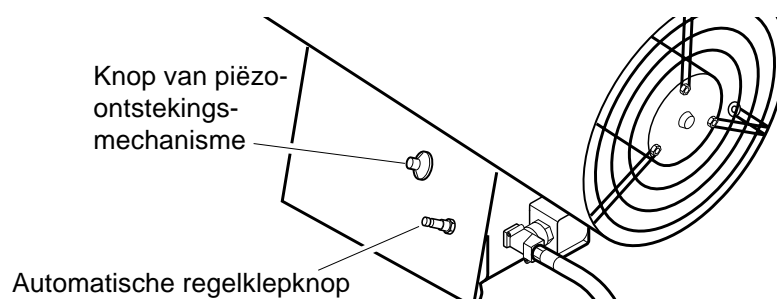
Zorg ervoor dat de motor en de ventilator draaien voordat u de automatische regelklepknop indrukt.

## BEDIENING

*vervolg*

5. Druk op de automatische regelklepknop en houd hem ingedrukt (zie figuur 5). Druk de knop van het piëzo-ontstekingsmechanisme in (zie figuur 5). Het kan zijn dat u de knop 3 à 8 keer moet indrukken voordat de kachel aan gaat. Als de kachel aan gaat, moet u de automatische regelklepknop nog 30 seconden ingedrukt houden.

*N.B.:* Indien de kachel niet aan gaat, kan het zijn dat er lucht in de slang zit. Als dit het geval is, moet u de automatische regelklepknop ingedrukt houden en 20 seconden wachten. Laat de automatische regelklepknop los en wacht 20 seconden zodat de onverbrande brandstof kan verdampen. Herhaal stap 5.



**Figuur 5 - Automatische regelklepknop en knop van piëzo-ontstekingsmechanisme**

Kijk in de kachel om te zien of hij brandt. Zorg ervoor dat de vlam blauw van kleur is. Vlammen mogen niet buiten de kacheluitlaat komen.

### Uitzetten van de kachel

1. Draai de toevoerafsluiter op de propaantank(s) goed dicht.
2. Wacht enkele seconden. Het gas dat nog in de toevoerslang zit, wordt door de kachel opgebrand.
3. Trek de stekker uit het stopcontact.

### Opnieuw aanzetten van de kachel

1. Wacht vijf minuten nadat de kachel is uitgezet.
2. Herhaal de stappen onder *Aanzetten van de kachel*, pagina 6.

### Verwisselen van de propaantank(s)

Verwissel de propaantank(s) op een plaats waar geen open vuur is. Gebruik uitsluitend propaangas, I3P.

1. Draai de propaantoevoerkraan op de propaantank(s) stevig dicht.
2. Ontkoppel de slang plus reguleur van de propaantank(s).
3. Sluit de slang plus reguleur aan op de nieuwe propaantank(s). Stevig aandraaien.
4. Controleer alle verbindingen op lekken.

## WAARSCHUWING

**Gebruik nooit een open vlam om op lekken te controleren. Breng een mengsel van vloeibare zeep en water op alle koppelingen aan. Vorming van bellen betekent een lek. Verhelp alle lekken onmiddellijk.**

## OPSLAG

### ⚠ VOORZICHTIG

#### Ontkoppel de kachel van de propaantoevoertank(s).

1. Bewaar de propaantank(s) op een veilige manier. Volg alle plaatselijke voorschriften op. Sla de propaantanks altijd buiten op.
2. Op een droge, schone en veilige plaats opslaan. Berg de slang plus reguleur niet op in de verbrandingskamer van de kachel.
3. Wanneer u de kachel weer wilt gaan gebruiken, kijk dan altijd in de kachel. Insekten en kleine dieren kunnen dingen in de kachel brengen. Houd de binnenkant van de kachel vrij van brandbare en andere dingen die daar niet thuishoren. Verwijder de motor en andere inwendige onderdelen indien dit nodig is om dingen die daar niet thuishoren te verwijderen (zie *Onderhouds-procedures*, pagina 12).

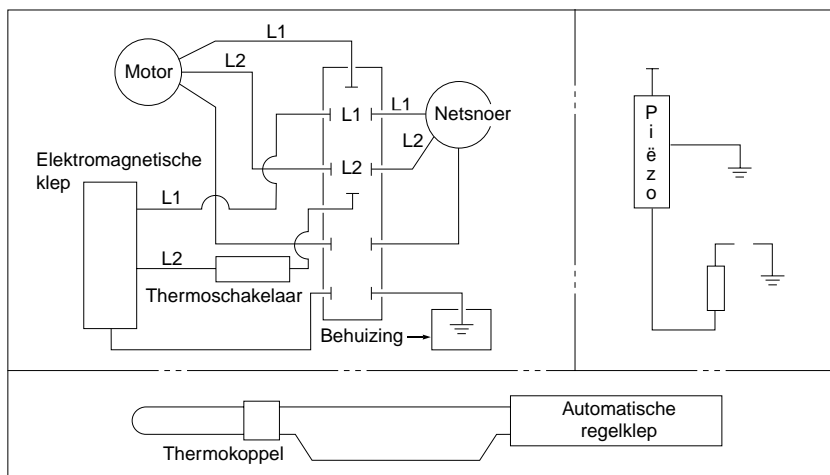
## ONDERHOUD

### ⚠ WAARSCHUWING

**Voer nooit onderhoud of reparaties aan de kachel uit terwijl de stekker in het stopcontact zit, de kachel aangesloten is op de propaantoevoer of de kachel aanstaat of heet is. Dit kan tot ernstige brandwonden en elektrische schok leiden.**

1. Houd de kachel schoon. Maak de kachel jaarlijks of wanneer nodig schoon om stof en rommel te verwijderen. Als de kachel vuil of stoffig is, reinig hem dan met een vochtige doek.
2. Inspecteer de kachel steeds vóór het gebruik. Controleer de verbindingen op lekken. Breng een mengsel van vloeibare zeep en water op alle verbindingen aan. Vorming van bellen betekent een lek. Verhelp alle lekken onmiddellijk.
3. Inspecteer de slang plus reguleur steeds vóór het gebruik. Vervang de slang als hij zeer versleten is of als er een snee in zit.
4. Laat de kachel jaarlijks nakijken door een onderhoudspersoon.
5. Houd de binnenkant van de kachel vrij van brandbare en andere dingen die daar niet thuishoren. Verwijder de motor en andere inwendige onderdelen indien dit nodig is om dingen die daar niet thuishoren te verwijderen (zie *Onderhoudsprocedures*, pagina 12).
6. Maak de ventilator om de 500 bedrijfsuren of indien nodig schoon.

## BEDRADINGS-SCHEMA



**Figuur 6 - Bedradingschema**

# OPSPOREN VAN STORINGEN

## WAARSCHUWING

Voer nooit onderhoud of reparaties aan de kachel uit terwijl de stekker in het stopcontact zit, de kachel aangesloten is op de propaantoevoer of de kachel aanstaat of heet is. Dit kan ernstige brandwonden en elektrische schok tot gevolg hebben.

### STORING

Ventilator draait niet terwijl de stekker in het stopcontact zit.

### MOGELIJKE OORZAAK

Geen elektriciteit naar kachel

Ventilator slaat tegen behuizing van kachel

Elektrische bedrading van kachel onjuist aangesloten

Ventilatorbladen verbogen

Motor defect

### OPLOSSING

Controleer stroom naar stopcontact. Als de stroom goed is, controleer het netsnoer van de kachel dan op breuken.

Stel de motor en het ventilatorrooster zo af dat de ventilator de binnenkant van de kachelbehuizing niet raakt. Buig het ventilatorrooster zo nodig.

Breng de draden op de juiste plaats aan de hand van het bedradingschema.

Vervang de ventilator. Zie *Motor en ventilator*, pagina 12.

Vervang de motor. Zie *Motor en ventilator*, pagina 12.

Kachel slaat niet aan.

Gebruiker heeft installatie- en bedieningsinstructies niet goed opgevolgd

Geen vonk bij ontstekingsmechanisme. Volg stap 8 onder *Ontstekingsmechanisme*, pagina 14, om op vonk te testen. Indien u een vonk bij het ontstekingsmechanisme ziet, moet u de kachel door een bevoegd onderhoudspersoon laten nakijken. Indien u geen vonk ziet:

- A) Losse of niet aangesloten draad van ontstekingsmechanisme
- B) Verkeerde vonkafstand
- C) Piëzo-ontstekingsmechanisme los
- D) Defecte elektrode van ontstekingsmechanisme

Herhaal de installatie- en bedieningsinstructies. Zie *Installatie*, pagina 5 en *Bediening*, pagina 7.

A) Controleer de draad van het ontstekingsmechanisme. Zet deze draad vast of sluit hem opnieuw aan. Zie figuur 11, pagina 13 voor de plaats van deze draad.

B) Stel de afstand tussen elektrode van ontstekingsmechanisme en trefplaat in op 4,3 mm.

C) Draai de moer vast waarmee het piëzo-ontstekingsmechanisme op de kachelvoet is bevestigd.

D) Vervang de elektrode. Zie *Ontstekingsmechanisme*, pagina 13.



# OPSPOREN VAN STORINGEN

*vervolg*

## **STORING**

Kachel slaat af terwijl hij aan staat.

## **MOGELIJKE OORZAAK**

Hoge omgevings-temperatuur veroorzaakt dat de thermische-limiet-inrichting de kachel uitschakelt.

Luchtstroom beperkt

Ventilator beschadigd

Te veel stof of rommel in nabije omgeving

## **OPLOSSING**

Dit kan zich voordoen als u de kachel gebruikt bij temperaturen boven 29° C. Gebruik de kachel bij lagere temperaturen.

Controleer de in- en uitlaat van de kachel. Verwijder obstructies.

Vervang de ventilator. Zie *Motor en ventilator*, pagina 12.



## **WAARSCHUWING**

**Alleen op plaatsen gebruiken waar zich niet veel stof bevindt.**

Maak de kachel schoon. Zie *Onderhoud*, pagina 9.

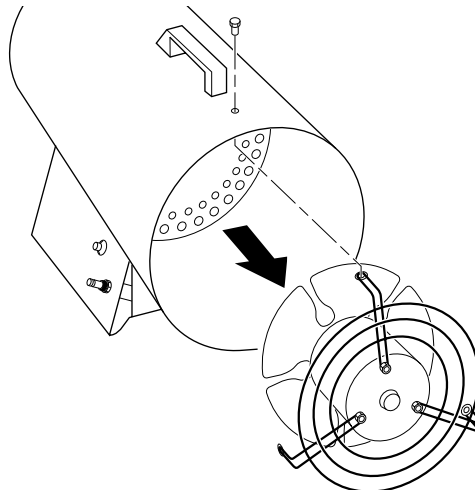
# ONDERHOUDS- PROCEDURES

## Motor en ventilator

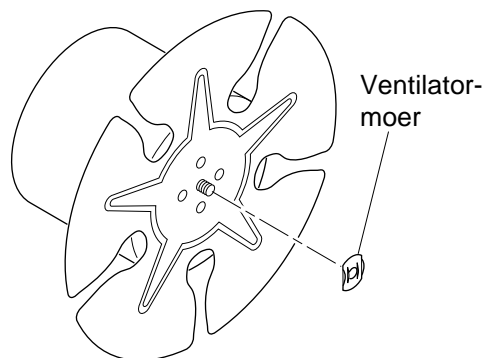
1. Verwijder de drie schroeven waarmee het ventilatorrooster aan de kachelbehuizing is bevestigd.
2. Neem de motor en het ventilatorrooster uit de kachelbehuizing (zie figuur 7).
3. Verwijder de ventilatormoer met een tang uit de voorkant van de motoras (zie figuur 8).
4. Verwijder de ventilator. Wees voorzichtig dat u de spoed van de ventilatorbladen niet beschadigt.
5. Verwijder met een moersleutel de drie moeren waarmee het ventilatorrooster aan de motor is bevestigd. Neem het ventilatorrooster van de motor af (zie figuur 9).
6. Gooi de oude motor weg.
7. Bevestig het ventilatorrooster met drie moeren aan de nieuwe motor (zie figuur 9). Draai de moeren stevig vast.

## ⚠ WAARSCHUWING

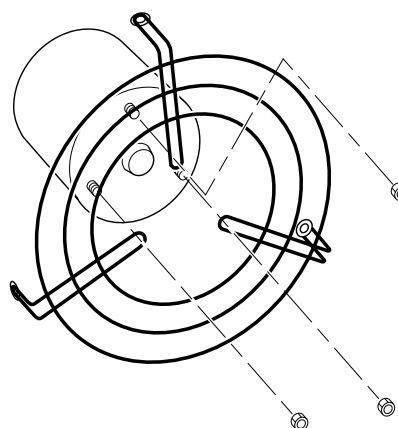
Voer nooit onderhoud of reparaties aan de kachel uit terwijl de stekker in het stopcontact zit, de kachel aangesloten is op de propaantoevoer of de kachel aan staat of heet is. Dit kan ernstige brandwonden en elektrische schok tot gevolg hebben.



**Figuur 7 - Motor en ventilatorrooster uit de kachel verwijderen**



**Figuur 8 - Ventilatormoer van de motoras draaien**

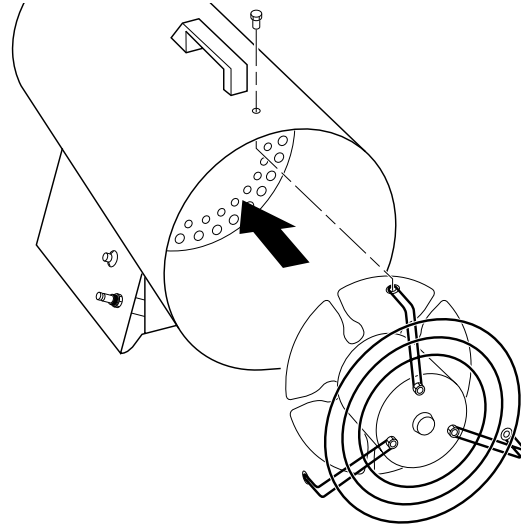


**Figuur 9 - Ventilatorrooster van de motor verwijderen of erop aanbrengen**

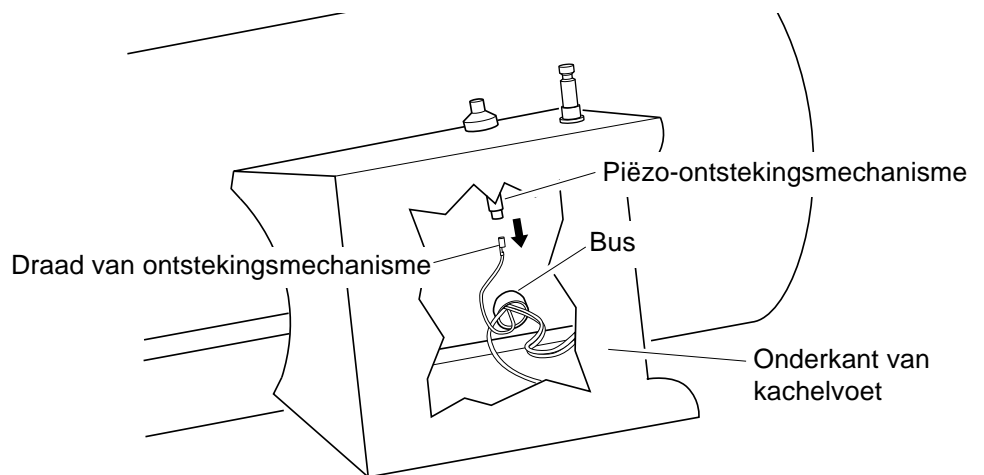
8. Plaats de ventilator op de motoras van de nieuwe motor.  
**BELANGRIJK:** Wanneer u de ventilator op de motoras plaatst, zorg er dan voor dat het onderdeelnummer dat op de ventilator gestempeld is, naar de motor wijst. Bevestig de ventilatormoer aan het einde van de motoras. Draai de moer stevig vast.
9. Plaats de motor en het ventilatorrooster achterin de kachelbehuizing (zie figuur 10).
10. Steek de drie schroeven door de kachelbehuizing en in het ventilatorrooster. Draai de schroeven stevig vast.

### Ontstekingsmechanisme

1. Verwijder de motor en het ventilatorrooster uit de kachel (zie *Motor en Ventilator*, pagina 12, stap 1 en 2).
2. Verwijder de zwarte draad van het piëzo-ontstekingsmechanisme. De draad van het ontstekingsmechanisme kan via de onderkant van de kachelvoet bereikt worden (zie figuur 11). Duw de draad omhoog door de bus in de kachelbehuizing.



**Figuur 10 - Motor en ventilatorrooster weer in de kachel aanbrengen**



**Figuur 11 - Draad van piëzo-ontstekingsmechanisme verwijderen**

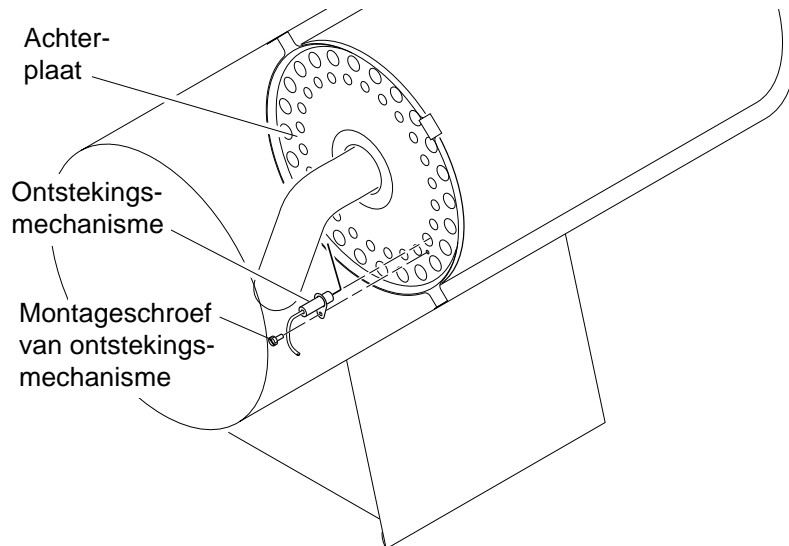
## Ontstekingsmechanisme *vervolg*

3. Verwijder de montageschroef van het ontstekingsmechanisme met een moersleutel of standaard schroevendraaier uit de achterplaat (zie figuur 12).
4. Neem het ontstekingsmechanisme uit de achterplaat.
5. Breng een nieuw ontstekingsmechanisme aan. Bevestig het ontstekingsmechanisme met de montageschroef van het ontstekingsmechanisme aan de achterplaat.
6. Plaats de draad van het nieuwe ontstekingsmechanisme door de bus in de kachelbehuizing. Bevestig de draad aan het piëzo-ontstekingsmechanisme.
7. Stel de afstand tussen de elektrode van het ontstekingsmechanisme en de trefplaat in op 4,3 mm (zie figuur 13).
8. Test op vonk.

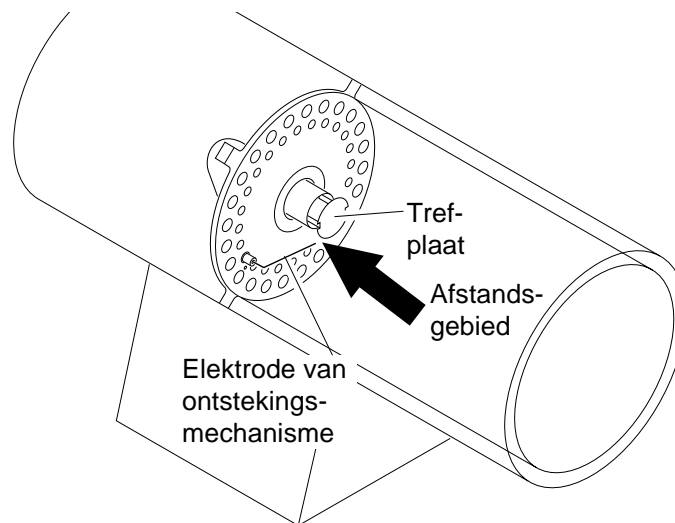
**WAARSCHUWING:**  
**Overtuig u ervan dat de kachel van de propaanvoer is afgekoppeld. Kachel kan aanslaan en ernstige brandwonden veroorzaken.**

Druk de knop van het piëzo-ontstekingsmechanisme in en kijk of u een vonk ziet tussen de elektrode van het ontstekingsmechanisme en de trefplaat.

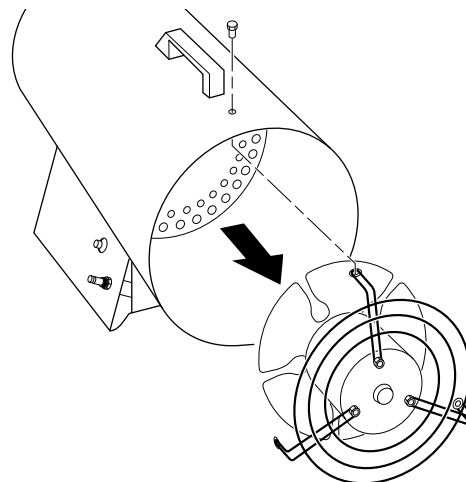
9. Plaats de motor en het ventilatorrooster in de achterzijde van de kachelbehuizing (zie *Motor en Ventilator*, pagina 13, stap 9 en 10).



**Figuur 12- Montageschroef van ontstekingsmechanisme en ontstekingsmechanisme verwijderen**



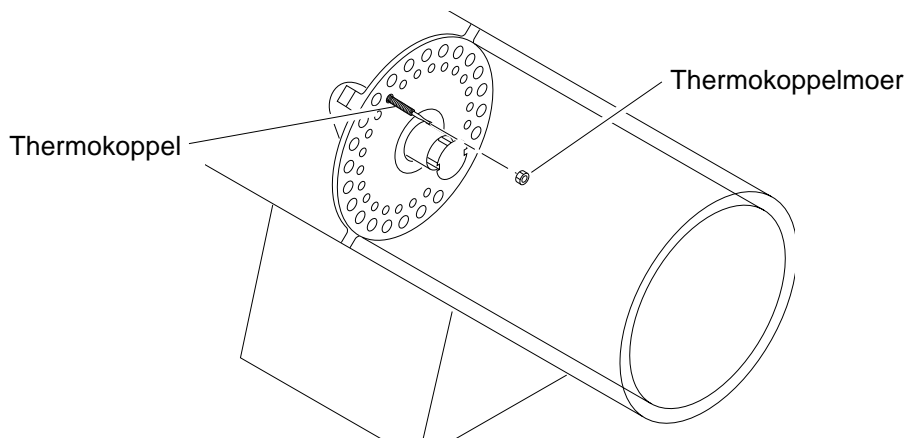
**Figuur 13 - Afstand tussen elektrode van ontstekingsmechanisme en trefplaat**



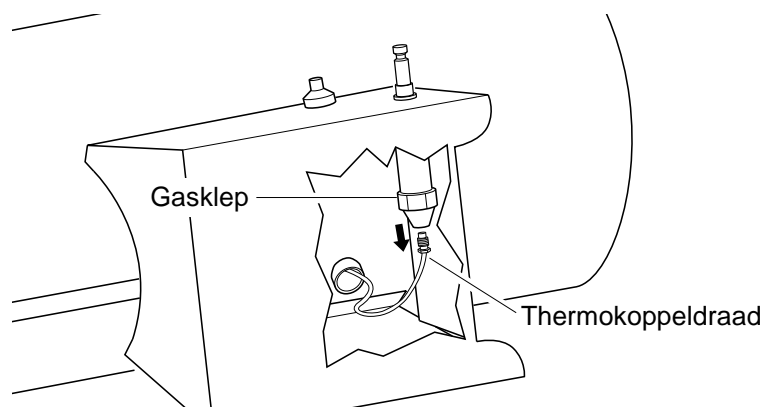
**Figuur 14 - Motor en ventilatorrooster uit de kachel verwijderen**

## Thermokoppel

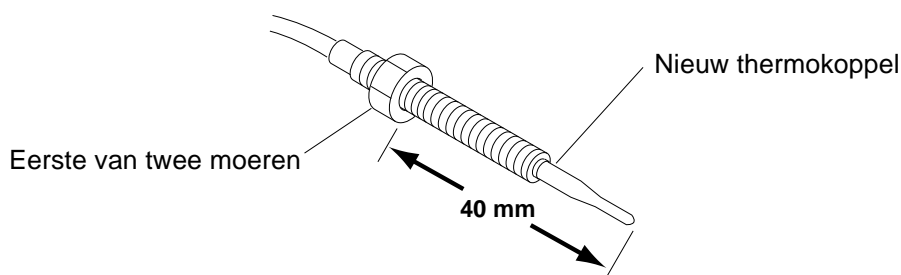
1. Controleer of de stekker uit het stopcontact is.
2. Verwijder de drie schroeven waarmee het ventilatorrooster aan de kachelbehuizing is bevestigd.
3. Verwijder de motor en het ventilatorrooster uit de kachelbehuizing (zie figuur 14). Wees voorzichtig dat u de ventilator niet beschadigt.
4. Verwijder de moer van het thermokoppel die zich in de verbrandingskamer bevindt (zie figuur 15).
5. Plaats de kachel op zijn zijkant en verwijder de thermokoppeldraad uit de gasklep (zie figuur 16).
6. Verwijder het thermokoppel uit de kachel.
7. Installeer de eerste van de twee moeren op het nieuwe thermokoppel (zie figuur 17). Plaats de moer ongeveer 40 mm van het uiteinde van het thermokoppel.
8. Steek het uiteinde van het thermokoppel door het gat voor het thermokoppel in de achterplaat (zie figuur 18).
9. Installeer een tweede moer op het thermokoppel. Bevestig deze moer op het thermokoppel vanuit de binnenkant van de verbrandingskamer (zie figuur 18). Stel beide thermokoppelmoeren zo af dat het uiteinde van het thermokoppel 40 mm van de achterplaat vandaan is.



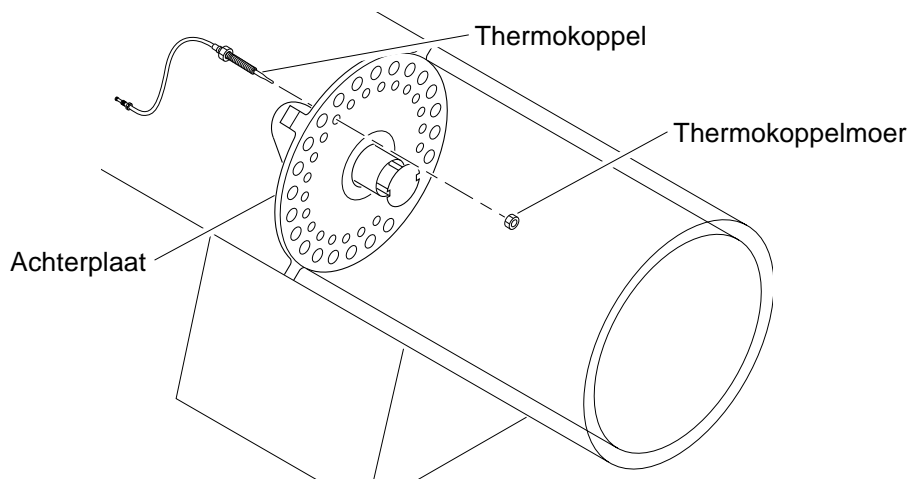
**Figuur 15 - Plaats van thermokoppelmoer**



**Figuur 16 - Thermokoppeldraad uit gasklep verwijderen**



**Figuur 17 - Eerste moer op nieuw thermokoppel aanbrengen**



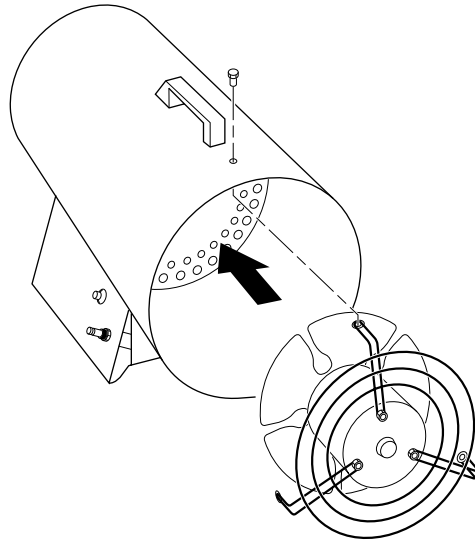
**Figuur 18 - Nieuw thermokoppel aanbrengen**

## Thermokoppel *vervolg*

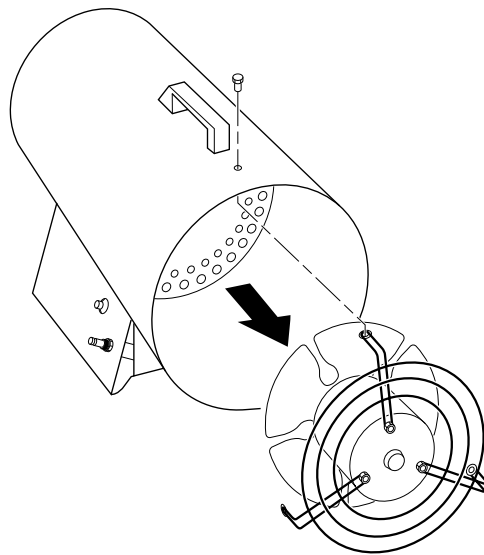
10. Draai de thermokoppelmoeren vast en controleer of ze 40 mm van het uiteinde van het thermokoppel zijn.
11. Steek de thermokoppeldraad weer door de kachel en in de gasklep. Zet de thermokoppeldraad stevig vast in de gasklep (niet te vast).
12. Plaats de motor en het ventilatorrooster in de achterzijde van kachelbehuizing (zie figuur 19).
13. Steek de drie schroeven door de kachelbehuizing en in het ventilatorrooster. Draai de schroeven stevig vast.

## Thermoschakelaar

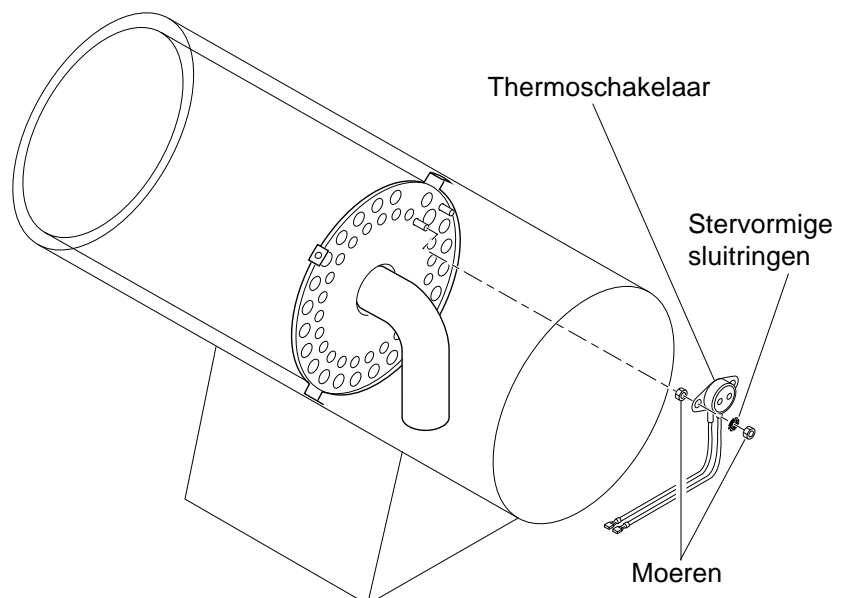
1. Controleer of de stekker uit het stopcontact is.
2. Verwijder de drie schroeven waarmee het ventilatorrooster aan de kachelbehuizing is bevestigd.
3. Verwijder de motor en het ventilatorrooster uit de kachelbehuizing (zie figuur 20). Wees voorzichtig dat u de ventilator niet beschadigt.
4. Verwijder de twee moeren en stervormige sluitringen van de thermoschakelaar (zie figuur 21).
5. Maak de blauwe voedingsdraden van de thermoschakelaar in de kachelvoet los.



**Figuur 19 - Motor en ventilatorrooster weer in de kachel aanbrengen**

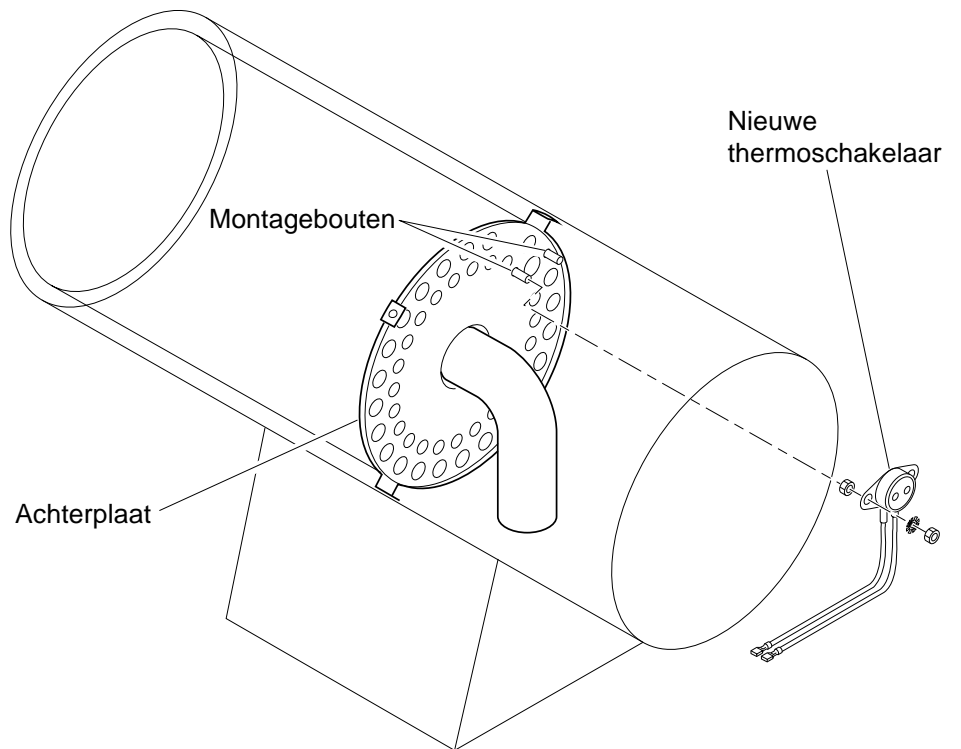


**Figuur 20 - Motor en ventilatorrooster uit de kachel verwijderen**

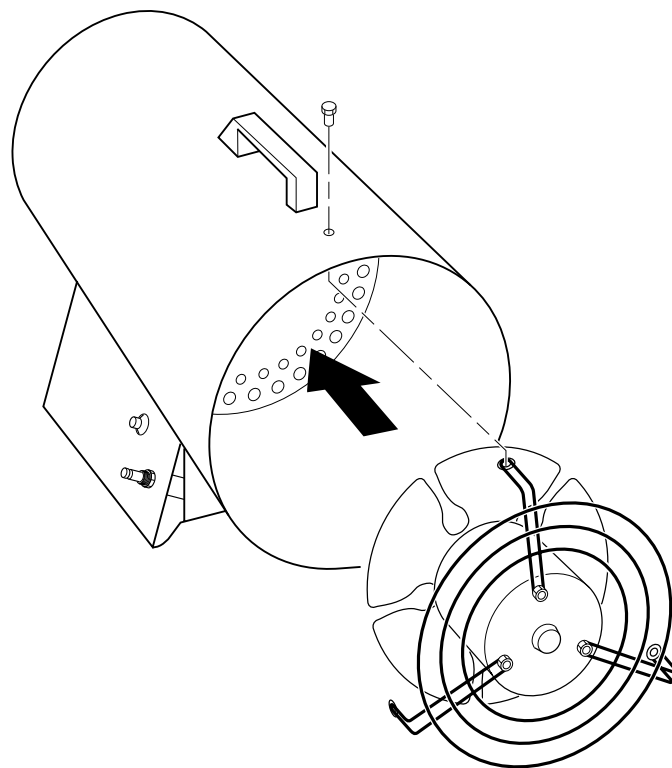


**Figuur 21 - Moeren en stervormige sluitringen van de thermoschakelaar verwijderen**

6. Verwijder de thermoschakelaar.
7. Steek de draden van de nieuwe thermoschakelaar door het gat onderin de kachelbehuizing.
8. Monteer de nieuwe thermoschakelaar op de twee montagebouten op de achterplaat (zie figuur 22).
9. Breng de stervormige sluitringen en moeren weer op de bouten aan.
10. **Aanbeveling voor goede resultaten:** Draai de moeren tot 0,45 à 0,68 N+m (4 à 6 in-lb) aan.
11. Plaats de motor en het ventilatorrooster in de achterzijde van de kachelbehuizing (zie figuur 23).
12. Steek de drie schroeven door de kachelbehuizing en in het ventilatorrooster. Draai de schroeven stevig vast.
13. Maak de blauwe voedingsdraden van de thermoschakelaar aan de aansluitstrip en de voedingsdraad van de elektromagnetische klep vast (zie Bedradings-schema, pagina 9).

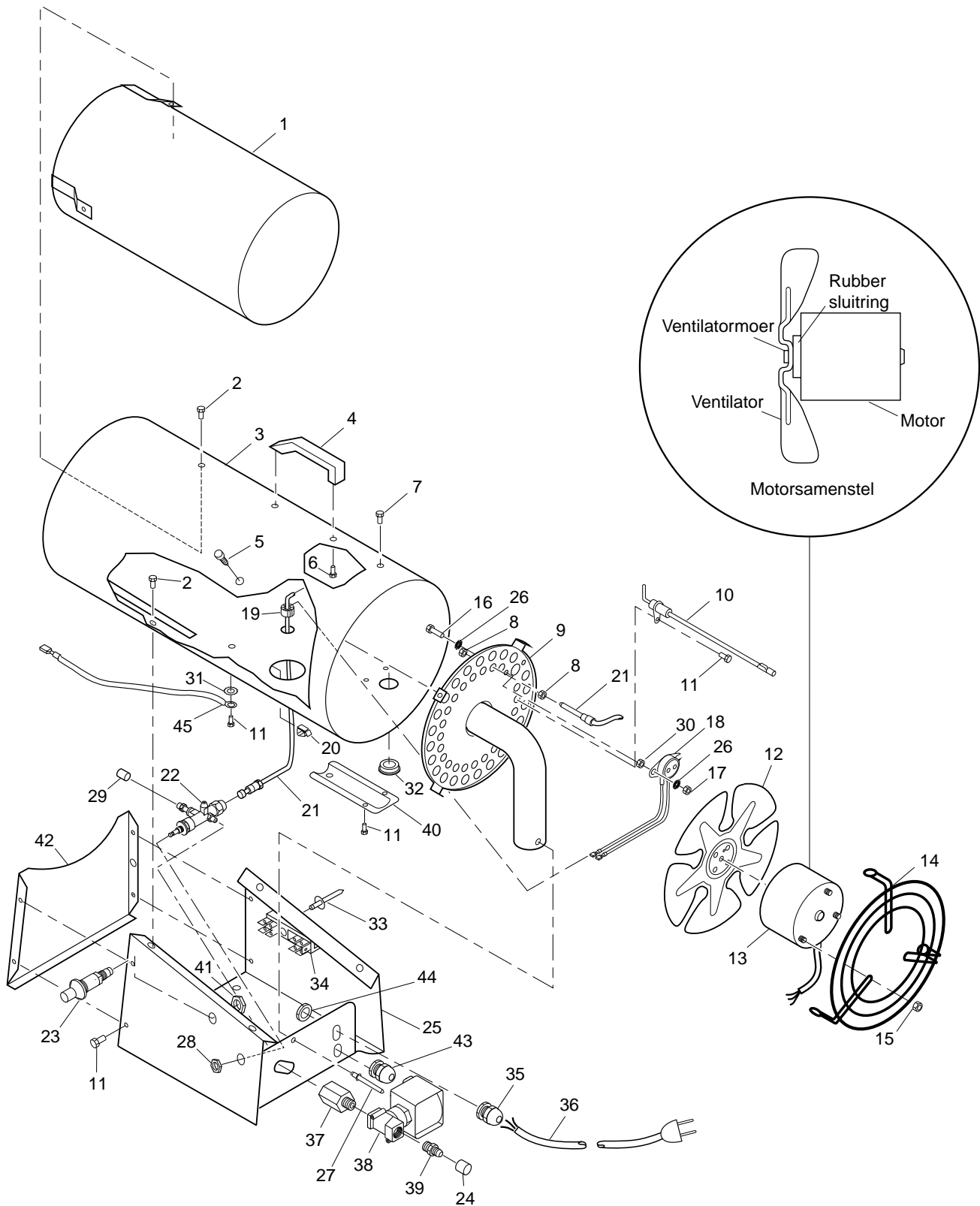


**Figuur 22 - Nieuwe thermoschakelaar op montagebouten aanbrengen**



**Figuur 23 - Motor en ventilatorrooster weer in de kachel aanbrengen**

# ILLUSTRATIES EN LIJST VAN ONDERDELEN





# ONDERDELEN- LIJST

Deze lijst bevat de vervangbare onderdelen die in de kachel gebruikt worden. Zorg bij het bestellen van onderdelen dat u het juiste model- en serienummer (te vinden op het modelplaatje), het onderdeelnummer en de beschrijving van het gewenste onderdeel opgeeft.

NR.	ONDERDEEL-NUMMER	BESCHRIJVING	AAN-TAL	NR.	ONDERDEEL-NUMMER	BESCHRIJVING	AAN-TAL
1	099568-01	Binnenste deel behuizing (verbrandingskamer)	1	24	078978-03	Mofdop	1
2	M11084-26	Zeskant tapbout, #10-16 x 3/8"	7	25	099598-04AA	Voet	1
3	099599-02AB	Buitenste deel behuizing	1	26	100397-01	Borgring, #4	4
4	M51104-01	Handvat	1	27	099202-02	Stalen klinknagel, 1/8"	1
5	099230-01	Zeskant tapborstschroef	4	28	098835-01	Klepmoer	1
6	M11084-29	Zeskant tapbout, #10-16 x 3/4"	2	29	099460-01	Zeskantdop	1
7	M11084-27	Zeskant tapbout, #10-16 x 1/2"	3	30	NPF-3C	Moer (afstandsstuk)	2
8	102592-01	Moer, M6 x .75	2	31	WLE-2BL	Borgring, #8	1
9	099727-01	Brandersamenstel	1	32	M50104-01	Bus, kleintje	1
10	099539-01	Elektrode ontstekingsmechanisme	1	33	099157-01	Aluminium klinknagel	1
11	M11084-38	Zeskant tapbout, #8-18 x 3/8"	8	34	099125-10	Contactstrook	1
12	099537-02	Ventilator	1	35	M50400	Rekontlastingsbus	1
13	100398-02	Motorsamenstel (incl. rubber sluitring en ventilatormoer)	1	36	097545-01	Netsnoer	1
14	099540-02	Ventilatorrooster	1	37	102559-01	Adapter, 1/4 x 1/4	1
15	097384-02	Sluitringmoer	3	38	102957-01	Elektromagnetische klep	1
16	097968-05	Zeskantschroef, #4-40 x 1/2"	2	39	097809-01	Intredend koppelstuk	1
17	NPC-00C	Zeskantmoer, #4-40	2	40	100596-01AB	Draadbescherming	1
18	097952-08	Thermoschakelaarsamenstel	1	41	102334-01	Palmoer	1
19	097776-01	Universele bus	1	42	100594-01AA	Deksel	1
20	099542-01	Draadklem	1	43	101520-01	Rekontlastingsbus	1
21	102607-01	Thermokoppel	1	44	102861-01	Busmoer	1
22	099541-01	Klep/opening	1	45	M16841-62	Draadsamenstel	1
23	102445-01	Piëzo-ontstekingsmechanisme	1	<b>LEVERBARE ONDERDELEN - NIET AFGEBEELD</b>			
					097647-03	Sticker merknaam	2
					100400-04	Sticker algemene informatie	1
					100404-04	Sticker bediening	1
					100399-01	Slang plus reguleur	1
					100168-02	Sticker elektrisch	1

## SPECIFICATIES

Model	BLP35E
Netspanning	220/240 volt, 50 Hz, 55 watt IP21
Maximaal vermogen, netto	10,3 kW bij 27 millibar
Capaciteit reguleur	27 millibar
Verbrandingssnelheid	10,3 kW, 796 g/h
Toevoerdruk (min.)	2 bar
Luchtverplaatsing	260 cm <sup>2</sup>
Afmeting ruimte	103 m <sup>3</sup>
Klasse luchttoevoer	Type A
Temperatuurbereik voor gebruik van kachel	-29° C tot 29° C*

\* Als de kachel bij temperaturen boven 29° C wordt gebruikt, kunnen hoge inwendige temperaturen de thermische-limietinrichting uitschakelen waardoor de kachel uitgaat.

# GARANTIE EN REPARATIESERVICE

BEWAAR DEZE GARANTIE

## BEPERKTE GARANTIE

Van Cranenbroek B.V. garandeert dat dit product en alle onderdelen daarvan vrij zijn van gebreken in materiaal en afwerking gedurende zes (6) maanden vanaf de datum van aanvankelijke aankoop, indien de kachel overeenkomstig de aanwijzingen bediend en onderhouden wordt. Deze garantie wordt alleen verstrekt aan de oorspronkelijke koper als een bewijs van aankoop overlegd wordt.

Deze garantie dekt alleen de kosten van onderdelen die nodig zijn om het product weer in behoorlijke bedrijfsstaat te brengen. Transport en incidentele kosten verbonden aan onder de garantie vallende onderdelen zijn niet terugvorderbaar onder deze garantie.

Deze garantie dekt geen defecten die het resultaat zijn van verkeerd gebruik, misbruik, nalatigheid, ongelukken, gebrekkig onderhoud, normale slijtage, wijzigingen, veranderingen, knoeierij, vervuilde brandstoffen, reparatie met verkeerde onderdelen of reparatie door iemand anders dan een erkende handelaar of erkend servicecentrum. De eigenaar is verantwoordelijk voor regelmatig onderhoud.

Deze uitdrukkelijke garantie wordt gegeven in plaats van enige andere garantie, expliciet of impliciet, met inbegrip van garanties van verhandelbaarheid en geschiktheid voor een bepaald doel.

Van Cranenbroek B.V. neemt geen verantwoordelijkheid op zich voor indirecte, incidentele of vervolgschade.

Wij behouden ons het recht voor deze specificaties te allen tijde zonder voorafgaande kennisgeving te wijzigen. De enige garantie die van kracht is, is onze schriftelijke standaard garantie. Wij geven geen andere garantie, expliciet of impliciet.

Model \_\_\_\_\_

Serienummer \_\_\_\_\_

Datum van aankoop \_\_\_\_\_

**DESA**  
**INTERNATIONAL**

2701 Industrial Drive  
P.O. Box 90004  
Bowling Green, KY 42102-9004  
U.S.A.

Schrijf voor informatie naar: DESA International, P.O. Box 90004  
Bowling Green, Kentucky 42102-9004 U.S.A.  
ATTN: Customer Service Department

Vermeld in uw schrijven altijd het model- en serienummer.



# **DESA**

## **INTERNATIONAL**

2701 Industrial Drive  
P.O. Box 90004  
Bowling Green, KY 42102-9004  
U.S.A.

For information, write: DESA International, P.O. Box 90004  
Bowling Green, Kentucky 42102-9004 U.S.A.  
ATTN: Customer Service Department

When writing, always include model number and serial number.

102588-01  
Rev. B  
8/96

## Free Manuals Download Website

<http://myh66.com>

<http://usermanuals.us>

<http://www.somanuals.com>

<http://www.4manuals.cc>

<http://www.manual-lib.com>

<http://www.404manual.com>

<http://www.luxmanual.com>

<http://aubethermostatmanual.com>

Golf course search by state

<http://golfingnear.com>

Email search by domain

<http://emailbydomain.com>

Auto manuals search

<http://auto.somanuals.com>

TV manuals search

<http://tv.somanuals.com>